

VESTEL WHITE GOODS	VESTEL REFRIGERATOR	CUSTOMER SUPPORT
	ASSEMBLE & DISASSEMBLE	

A- Changing The Door Swing Direction to Right Hand

1- Unscrew the two screws which are fixing the middle hinge and remove the two middle hinge screw caps (big). (Fig-1)

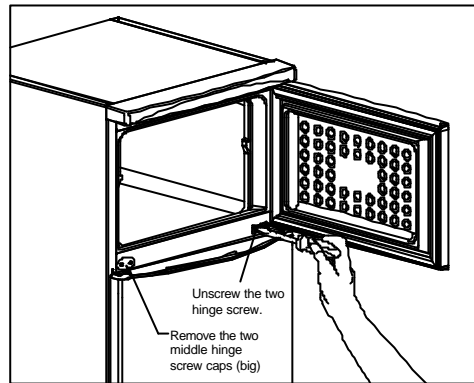


Figure - 1

2- Dismantle the refrigerator and freezer door from cabinet by pulling towards to you together with the middle hinge. (Fig-2)

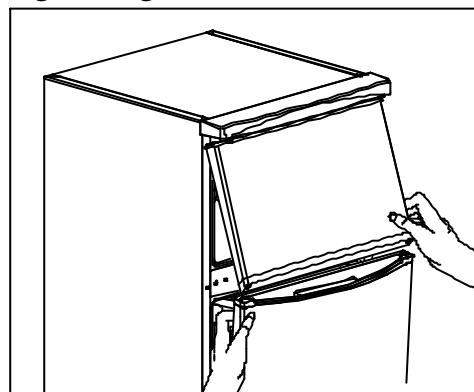


Figure - 2

3- Lie down the appliance to the left side. Dismantle both leveling feet and unscrew the bottom hinge fixing screws and remove it. (Fig-3) Unscrew the bottom hinge pin and screw in the next hole.(Fig-4) Then screw the hinge to left side of the refrigerator. Screw the both leveling feet.

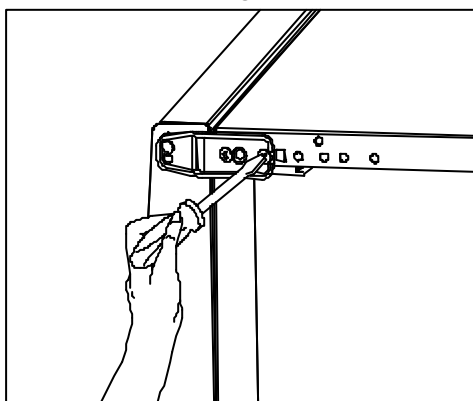


Figure -3

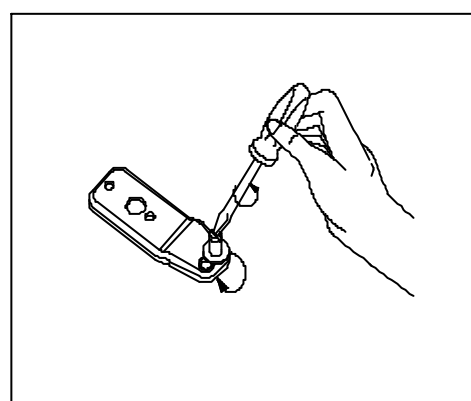


Figure -4

VESTEL WHITE GOODS	VESTEL REFRIGERATOR	CUSTOMER SUPPORT
	ASSEMBLE & DISASSEMBLE	

4- Place the two middle hinge screw caps (big) as shown in the figure. (Fig-5)
You can find the new caps in the user manuel bag.

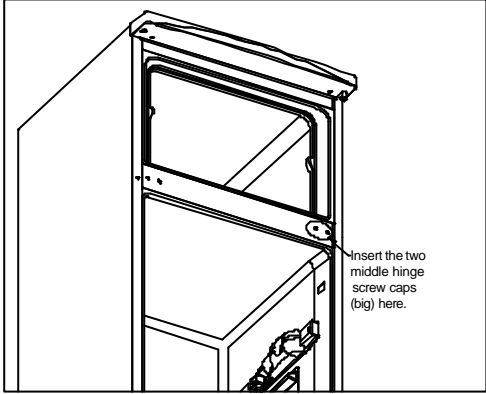


Figure - 5

5- Unscrew the pin on the right. (Fig-6/Detail-A) and screw it to the left. (Fig-6/Detail-B)

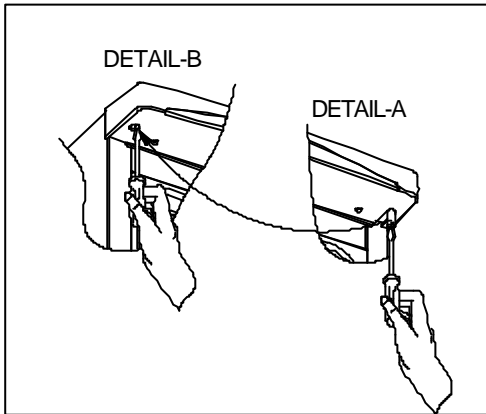


Figure - 6

6- Replace the top bushing and top bushing cap. (Fig-7)
(You can use the bushing cap that is put in the user manuel)
Remove the bottom bushing assemble it to the left hole.
(Fig-7)

6.1- Remove the door handle screw caps.
Unscrew the screws that are fixing the door handle.
Assemble door handles to the right side by doing the reverse operation.(Fig-7/Detail-A)
(Only for CLASSIC door design)

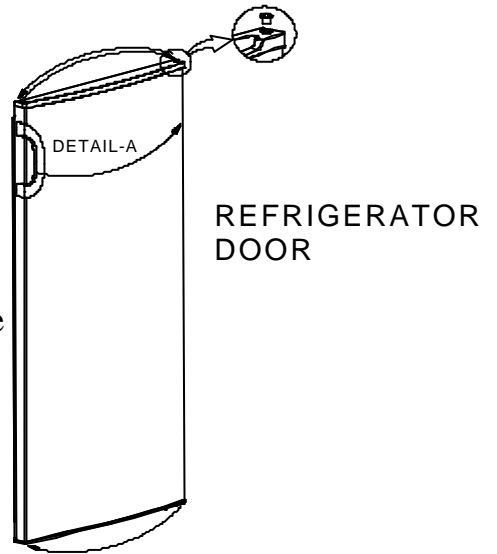


Figure - 7

VESTEL WHITE GOODS	VESTEL REFRIGERATOR	CUSTOMER SUPPORT
	ASSEMBLE & DISASSEMBLE	

7- Replace the top bushing and top bushing cap. (Fig-8)
 Remove the bottom bushing assemble it to the left hole. (Fig-8)

7.1- Remove the door handle screw caps. Unscrew the screws that are fixing the door handle
 Assemble door handles to the right side by doing the reverse operation.(Fig-8/Detail-A)
(Only for CLASSIC door design)

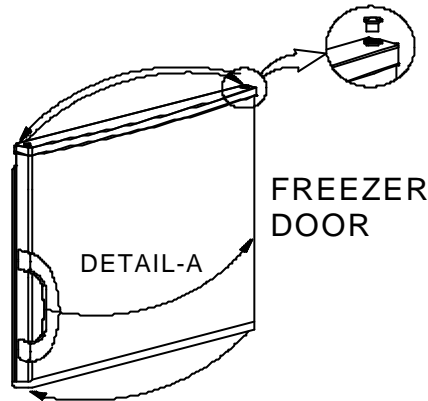


Figure - 8

8- Turn the middle hinge 180°. Assemble the freezer door and refrigerator door together with middle hinge. (Reverse operation of item 2) Fix the middle hinge by tightening the screws. (Fig-9)

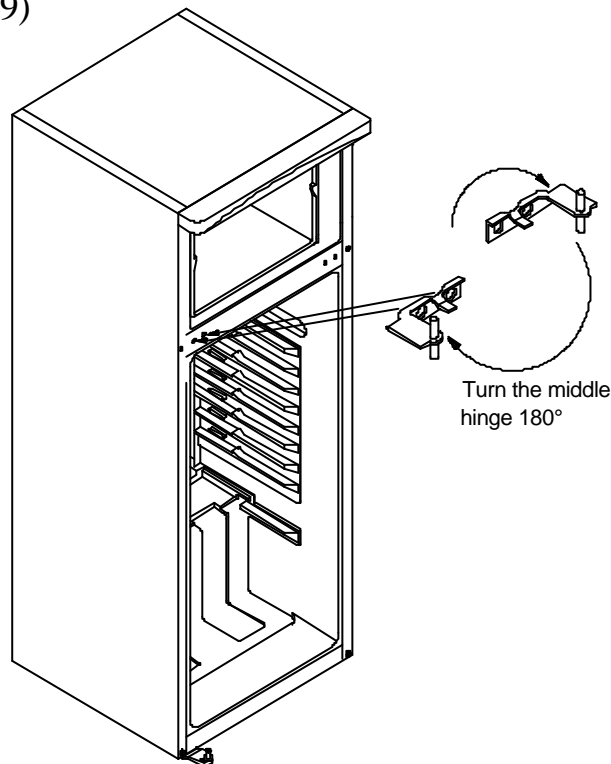


Figure - 9