

SONY®

Television

Reference Guide	GB
Guide de référence	FR
Guía de referencia	ES
Referentiegids	NL
Referenzanleitung	DE
Guia de referència	PT
Guida di riferimento	IT
Referensmaterial	SE
Referencevejledning	DK
Viiteopas	FI
Referanseveiledning	NO
Przewodnik	PL
Referenční příručka	CZ
Referenčná príručka	SK
Felhasználói útmutató	HU
Ghid de referință	RO
Информация за продукта	BG
Οδηγός αναφοράς	GR
Başvuru Kılavuzu	TR

BRAVIA

KD-75ZD9 / 65ZD9

Table of Contents

IMPORTANT NOTICE	3
Safety Information	3
Precautions	5
Parts and Controls	7
Controls and Indicators	7
Using Remote Control	8
Remote Control Parts Description	8
Connection Diagram	10
Installing the TV to the Wall	12
KD-75ZD9 only	14
Troubleshooting	16
Troubles and Solutions	16
Specifications	17

Introduction

Thank you for choosing this Sony product. Before operating the TV, please read this manual thoroughly and retain it for future reference.

Note

- Before operating the TV, please read the "Safety Information" (page 3).
- Images and illustrations used in Setup Guide and this manual are for reference only and may differ from the actual product.

Location of the Setup Guide

Setup Guide is placed on top of the cushion inside the TV carton.

Help Guide

Help feature offers a lot of information about your TV. To use the Help feature, press **HELP** on the remote control. You can find how to and troubleshooting's from the list or by voice or text keyword search. Select [Help Guide] on Help Menu to view the manual. If you connect your TV to internet, the Help feature and information will be updated.

Location of the identification label

Labels for the TV Model No., Production Date (year/month) and Power Supply rating are located on the rear of the TV or package. They can be found by removing the center cover.

WARNING

TO PREVENT THE SPREAD OF FIRE, KEEP CANDLES OR OTHER OPEN FLAMES AWAY FROM THIS PRODUCT AT ALL TIMES.

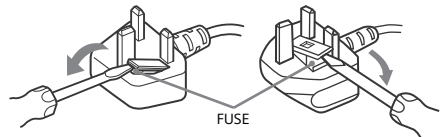


NOTICE FOR CUSTOMERS IN THE UNITED KINGDOM

A moulded plug complying with BS1363 is fitted to this equipment for your safety and convenience.

Should the fuse in the plug supplied need to be replaced with the same rating of fuse approved by ASTA or BSI to BS 1362 (i.e., marked with ⚡ or ⚡) must be used.

If the plug supplied with this equipment has a detachable fuse cover, be sure to attach the fuse cover after you change the fuse. Never use the plug without the fuse cover. If you should lose the fuse cover, please contact your nearest Sony service station.



How to replace the fuse

Open the fuse compartment with a blade screwdriver, and replace the fuse.

Please refer to the illustration that actually equipped with the product.

IMPORTANT NOTICE

This product has been manufactured by or on behalf of Sony Corporation, 1-7-1 Konan Minato-ku Tokyo, 108-0075 Japan. Inquiries related to product compliance based on European Union legislation shall be addressed to the authorized representative, Sony Belgium, bijkantoor van Sony Europe Limited, Da Vincilaan 7-D1, 1935 Zaventem, Belgium. For any service or guarantee matters, please refer to the addresses provided in the separate service or guarantee documents.

Notice for Wireless Signal

Hereby, Sony Corporation declares that this unit is in compliance with the essential requirements and other relevant provisions of Directive 1999/5/EC. For details, please access the following URL: <http://www.compliance.sony.de/>



Notice for customers: the following information is only applicable to equipment sold in countries applying EU directives.

TV wireless system may be operated in following countries:

AT, BE, HR, CY, CZ, DK, EE, FI, FR, DE, GR, HU, IE, IT, LV, LT, LU, MT, NL, PL, PT, SK, SI, ES, SE, GB, IS, LI, NO, CH, BG, RO, TR, AL, BA, MK, MD, RS, ME, Kosovo

This equipment can be operated in other non-European countries.

Safety Information

WARNING

Batteries must not be exposed to excessive heat such as sunshine, fire or the like.

Never place a television set in an unstable location. A television set may fall, causing serious personal injury or death. Many injuries, particularly to children, can be avoided by taking simple precautions such as:

- Using cabinets or stands recommended by the manufacturer of the television set.
- Only using furniture that can safely support the television set.
- Ensuring the television set is not overhanging the edge of the supporting furniture.
- Not placing the television set on tall furniture (for example, cupboards or bookcases) without anchoring both the furniture and the television set to a suitable support.
- Not placing the television set on cloth or other materials that may be located between the television set and supporting furniture.
- Educating children about the dangers of climbing on furniture to reach the television set or its controls.

If your existing television set is being retained and relocated, the same considerations as above should be applied.

Installation/Set-up

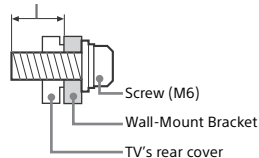
Install and use the TV set in accordance with the instructions below in order to avoid any risk of fire, electric shock or damage and/or injuries.

Installation

- The TV set should be installed near an easily accessible mains socket.
- Place the TV set on a stable, level surface to prevent it from falling over and causing personal injury or property damage.
- Install the TV where it cannot be pulled, pushed, or knocked over.
- Only qualified service personnel should carry out wall-mount installations.
- For safety reasons, it is strongly recommended that you use Sony accessories, including:
 - Wall-Mount Bracket
 - SU-WL450 (KD-65ZD9 only)

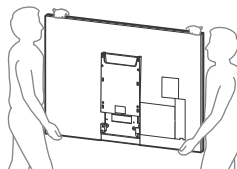
- Be sure to use the screws supplied with the Wall-Mount Bracket when attaching the Wall-Mount Bracket to the TV set. The supplied screws are designed as indicated by illustration when measured from the attaching surface of the Wall-Mount Bracket. The diameter and length of the screws differ depending on the Wall-Mount Bracket model.
- Use of screws other than those supplied may result in internal damage to the TV set or cause it to fall, etc.

10 mm - 12 mm



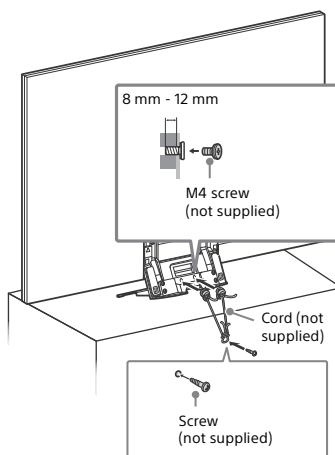
Transporting

- Before transporting the TV set, disconnect all cables.
- Two or three people are needed to transport a large TV set.
- When transporting the TV set by hand, hold it as shown below. Do not put stress on the LCD panel and the frame around the screen.



- When transporting the TV set, do not subject it to jolts or excessive vibration.
- When transporting the TV set for repairs or when moving, pack it using the original carton and packing material.

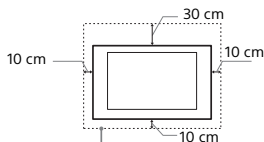
Topple prevention



Ventilation

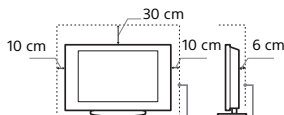
- Never cover the ventilation holes or insert anything in the cabinet.
- Leave space around the TV set as shown below.
- It is strongly recommended that you use a Sony Wall-Mount Bracket in order to provide adequate air circulation.

Installed on the wall



Leave at least this space around the set.

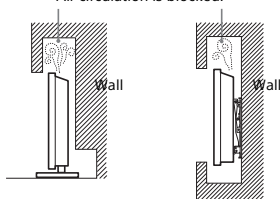
Installed with stand



Leave at least this space around the set.

- To ensure proper ventilation and prevent the collection of dirt or dust:
 - Do not lay the TV set flat, install upside down, backwards, or sideways.
 - Do not place the TV set on a shelf, rug, bed or in a closet.
 - Do not cover the TV set with a cloth, such as curtains, or items such as newspapers, etc.
 - Do not install the TV set as shown below.

Air circulation is blocked.



Mains lead

Handle the mains lead and socket as follows in order to avoid any risk of fire, electric shock or damage and/or injuries:

- Use only mains leads supplied by Sony, not other suppliers.
- Insert the plug fully into the mains socket.
- Operate the TV set on a 220 V - 240 V AC supply only.
- When wiring cables, be sure to unplug the mains lead for your safety and take care not to catch your feet on the cables.
- Disconnect the mains lead from the mains socket before working on or moving the TV set.
- Keep the mains lead away from heat sources.
- Unplug the mains plug and clean it regularly. If the plug is covered with dust and it picks up moisture, its insulation may deteriorate, which could result in a fire.

Note

- Do not use the supplied mains lead on any other equipment.
- Do not pinch, bend, or twist the mains lead excessively. The core conductors may be exposed or broken.
- Do not modify the mains lead.
- Do not put anything heavy on the mains lead.
- Do not pull on the mains lead itself when disconnecting the mains lead.
- Do not connect too many appliances to the same mains socket.
- Do not use a poor fitting mains socket.

Prohibited Usage

Do not install/use the TV set in locations, environments or situations such as those listed below, or the TV set may malfunction and cause a fire, electric shock, damage and/or injuries.

Locations:

- Outdoors (in direct sunlight), at the seashore, on a ship or other vessel, inside a vehicle, in medical institutions, unstable locations, near water, rain, moisture or smoke.

Environments:

- Places that are hot, humid, or excessively dusty; where insects may enter; where it might be exposed to mechanical vibration, near flammable objects (candles, etc.). The TV set shall not be exposed to dripping or splashing and no objects filled with liquids, such as vases, shall be placed on the TV.

Situations:

- Use when your hands are wet, with the cabinet removed, or with attachments not recommended by the manufacturer. Disconnect the TV set from mains socket and aerial during lightning storms.
- Install the TV so that it sticks out into an open space. This may result in injury or damage from a person or object bumping into the TV.



- Place the TV in a humid or dusty space, or in a room with oily smoke or steam (near cooking tables or humidifiers). Fire, electric shock, or warping may result.



- Install the TV in places subject to extreme temperature such as in direct sunlight, near a radiator or a heating vent. The TV may overheat in such condition which can cause deformation of the enclosure and/or TV malfunction.



- If the TV is placed in the changing room of a public bath or hot spring, the TV may be damaged by airborne sulfur, etc.



- For best picture quality, do not expose the screen to direct illumination or sunlight.
- Avoid moving the TV from a cold area to a warm area. Sudden room temperature changes may cause moisture condensation. This may cause the TV to show poor picture and/or poor colour. Should this occur, allow moisture to evaporate completely before powering the TV on.

Broken pieces:

- Do not throw anything at the TV set. The screen glass may break by the impact and cause serious injury.
- If the surface of the TV set cracks, do not touch it until you have unplugged the mains lead. Otherwise this may cause an electric shock.

When not in use

- If you will not be using the TV set for several days, the TV set should be disconnected from the mains for environmental and safety reasons.
- As the TV set is not disconnected from the mains when the TV set is just turned off, pull the plug from the mains to disconnect the TV set completely.
- Some TV sets may have features that require the TV set to be left in standby to work correctly.

For children

- Do not allow children to climb on the TV set.
- Keep small accessories out of the reach of children, so that they are not mistakenly swallowed.

If the following problems occur...

Turn off the TV set and unplug the mains lead immediately if any of the following problems occur.

Ask your dealer or Sony service centre to have it checked by qualified service personnel.

When:

- Mains lead is damaged.
- Poor fitting of mains socket.
- TV set is damaged by being dropped, hit or having something thrown at it.
- Any liquid or solid object falls through openings in the cabinet.

About LCD TV Temperature

When the LCD TV is used for an extended period, the panel surrounds become warm. You may feel hot when touching there by the hand.

Precautions

Viewing the TV

- View the TV in moderate light, as viewing the TV in poor light or during long period of time, strains your eyes.
- When using headphones, adjust the volume so as to avoid excessive levels, as hearing damage may result.

(3D compatible models only)

- Some people may experience discomfort (such as eye strain, fatigue, or nausea) while watching 3D video images or playing stereoscopic 3D games. Sony recommends that all viewers take regular breaks while watching 3D video images or playing stereoscopic 3D games. The length and frequency of necessary breaks will vary from person to person. You must decide what works best. If you experience any discomfort, you should stop watching the 3D video images or playing stereoscopic 3D games until the discomfort ends; consult a doctor if you believe necessary. You should also review (i) the instruction manual of any other device or media used with this television and (ii) our website (www.sony.eu/support) for the latest information. The vision of young children (especially those under six years old) is still under development. Consult your doctor (such as a pediatrician or eye doctor) before allowing young children to watch 3D video images or play stereoscopic 3D games. Adults should supervise young children to ensure they follow the recommendations listed above.
- Do not use, store, or leave the 3D Glasses or battery near a fire, or in places with a high temperature, e.g., in direct sunlight, or in sun-heated cars.

LCD Screen

- Although the LCD screen is made with high-precision technology and 99.99 % or more of the pixels are effective, black dots may appear or bright points of light (red, blue, or green) may appear constantly on the LCD screen. This is a structural property of the LCD screen and is not a malfunction.
- Do not push or scratch the front filter, or place objects on top of this TV set. The image may be uneven or the LCD screen may be damaged.
- If this TV set is used in a cold place, a smear may occur in the picture or the picture may become dark. This does not indicate a failure. These phenomena disappear as the temperature rises.
- Ghosting may occur when still pictures are displayed continuously. It may disappear after a few moments.
- The screen and cabinet get warm when this TV set is in use. This is not a malfunction.
- The LCD screen contains a small amount of liquid crystal. Follow your local ordinances and regulations for disposal.

Handling and cleaning the screen surface/cabinet of the TV set

Be sure to unplug the mains lead connected to the TV set from mains socket before cleaning.

To avoid material degradation or screen coating degradation, observe the following precautions.

- To remove dust from the screen surface/cabinet, wipe gently with a soft cloth. If dust is persistent, wipe with a soft cloth slightly moistened with a diluted mild detergent solution.
- Never spray water or detergent directly on the TV set. It may drip to the bottom of the screen or exterior parts and enter the TV set, and may cause damage to the TV set.
- Never use any type of abrasive pad, alkaline/acid cleaner, scouring powder, or volatile solvent, such as alcohol, benzene, thinner or insecticide. Using such materials or maintaining prolonged contact with rubber or vinyl materials may result in damage to the screen surface and cabinet material.
- Do not touch the TV if your hand is covered in any chemical substance such as hand cream or sunblock.
- Periodic vacuuming of the ventilation openings is recommended to ensure to proper ventilation.
- When adjusting the angle of the TV set, move it slowly so as to prevent the TV set from moving or slipping off from its table stand.

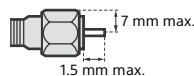


Optional Equipment

- Keep optional components or any equipment emitting electromagnetic radiation away from the TV set. Otherwise picture distortion and/or noisy sound may occur.
- This equipment has been tested and found to comply with the limits set out in the EMC Directive using a connection signal cable shorter than 3 meters.

Recommendation of F-type plug

Projection of the inner wire from the connection part must be less than 1.5 mm.



(Reference drawing of the F-type plug)

Wireless Function of the unit

- Do not operate this unit near medical equipment (pacemaker, etc.), as this may result in the malfunction of the medical equipment.
- Although this unit transmits/receives scrambled signals, be careful of unauthorised interception. We cannot be responsible for any trouble as a result.

Caution about handling the remote control

- Observe the correct polarity when inserting batteries.
- Do not use different types of batteries together or mix old and new batteries.
- Dispose of batteries in an environmentally friendly way. Certain region may regulate the disposal of batteries. Please consult your local authority.
- Handle the remote control with care. Do not drop or step on it, or spill liquid of any kind onto it.
- Do not place the remote control in a location near a heat source, a place subject to direct sunlight, or a damp room.

Disposal of the TV set



Disposal of Old Electrical & Electronic Equipment (Applicable in the European Union and other European countries with separate collection systems)

This symbol on the product or on its packaging indicates that this product shall not be treated as household waste. Instead it shall be handed over to the applicable collection point for the recycling of electrical and electronic equipment. By ensuring this product is disposed of correctly, you will help prevent potential negative consequences for the environment and human health, which could otherwise be caused by inappropriate waste handling of this product. The recycling of materials will help to conserve natural resources. For more detailed information about recycling of this product, please contact your local Civic Office, your household waste disposal service or the shop where you purchased the product.

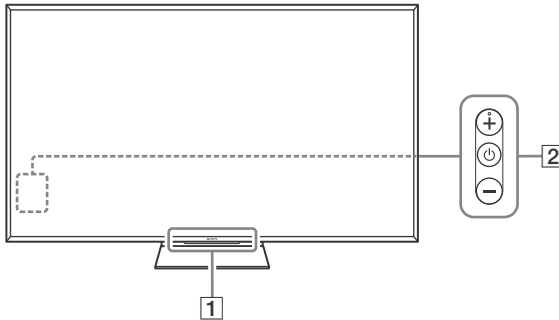


Disposal of waste batteries (applicable in the European Union and other European countries with separate collection systems)

This symbol on the battery or on the packaging indicates that the battery provided with this product shall not be treated as household waste. On certain batteries this symbol might be used in combination with a chemical symbol. The chemical symbols for mercury (Hg) or lead (Pb) are added if the battery contains more than 0.0005 % mercury or 0.004 % lead. By ensuring these batteries are disposed of correctly, you will help prevent potentially negative consequences for the environment and human health which could otherwise be caused by inappropriate waste handling of the battery. The recycling of the materials will help to conserve natural resources. In case of products that for safety, performance or data integrity reasons require a permanent connection with an incorporated battery, this battery should be replaced by qualified service staff only. To ensure that the battery will be treated properly, hand over the product at end-of-life to the applicable collection point for the recycling of electrical and electronic equipment. For all other batteries, please view the section on how to remove the battery from the product safely. Hand the battery over to the applicable collection point for the recycling of waste batteries. For more detailed information about recycling of this product or battery, please contact your local Civic Office, your household waste disposal service or the shop where you purchased the product.

Parts and Controls

Controls and Indicators



1 Remote Control sensor*1 / Light sensor*1 / Illumination LED / 3D Sync Transmitter*1*2

The illumination LED lights up or blinks according to the status of the TV.

- White
When turning on the TV/picture off mode/software update, etc.
- Cyan
When connecting with a mobile device wirelessly.
- Pink*2
Recording mode.
- Amber
Timer is set.

2 ⏻ (Power) / + / -

When the TV is off,
Press ⏻ to power on.

When the TV is on,
Long press ⏻ to power off.
Press ⏻ repeatedly to change the function, then press + or - button to:

- Adjust the volume
- Select the channel
- Select the input source of TV

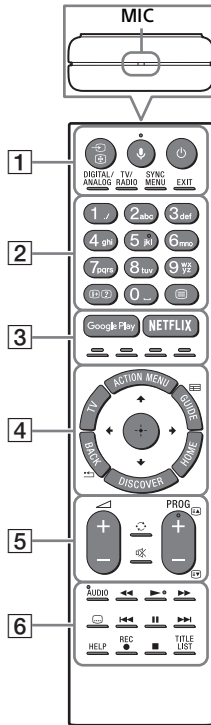
*1 Do not place anything near the sensor.

*2 Only on limited region/country/TV model.

Using Remote Control

Remote Control Parts Description

The remote control shape, location, availability and function of remote control button may vary depending on your region/country/TV model.



- 1** **(Input select/Text hold)**
In TV mode: Display and select the input source.
In Text mode: Hold the current page.

(Microphone)
Use Voice Function. (e.g., Search various content by voice.)

(TV standby)
Turn on or turn off the TV (standby mode).

DIGITAL/ANALOG
Switch between digital and analogue mode.

TV/RADIO
Switch between TV or RADIO broadcasts.

SYNC MENU
Display the BRAVIA Sync Menu.

EXIT
Return to the previous screen or exit from the menu. When an Interactive Application service is available, press to exit from the service.

2 **Number buttons**

(Info/Text reveal)
Display information.

(Text)
Display text information.

3 Google Play

Access the "Google Play" online service.

NETFLIX (Only on limited region/country/TV model)

Access the "NETFLIX" online service.

Colour buttons

Execute corresponding function at that time.

4 ACTION MENU

Display a list of contextual functions.

TV

- Switch to a TV channel or input from other applications.
- Turn on the TV to display TV channel or input.

GUIDE 

Display the digital programme guide.

BACK 


Return to previous screen.

HOME


Display the TV Home Menu.

DISCOVER

Bring up the Content Bar to search for content.

▲/▼/↔/⊕ (Item select/Enter)**5**  **+/- (Volume)**

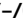

Adjust the volume.

 (Jump)


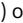
Jump back and forth between two channels or inputs. The TV alternates between the current channel or input and the last channel or input that was selected.

 (Muting)

Mute the sound. Press again to restore the sound.

PROG  

In TV mode: Select the channel.

In Text mode: Select the next () or previous () page.

6 AUDIO

Change the language for the programme currently being viewed.

 (Subtitle setting)

Turn subtitles on or off (when the feature is available).



Operate media contents on TV and connected BRAVIA Sync-compatible device.

HELP

Display Help Menu. Help Guide can be accessed from here.

● REC

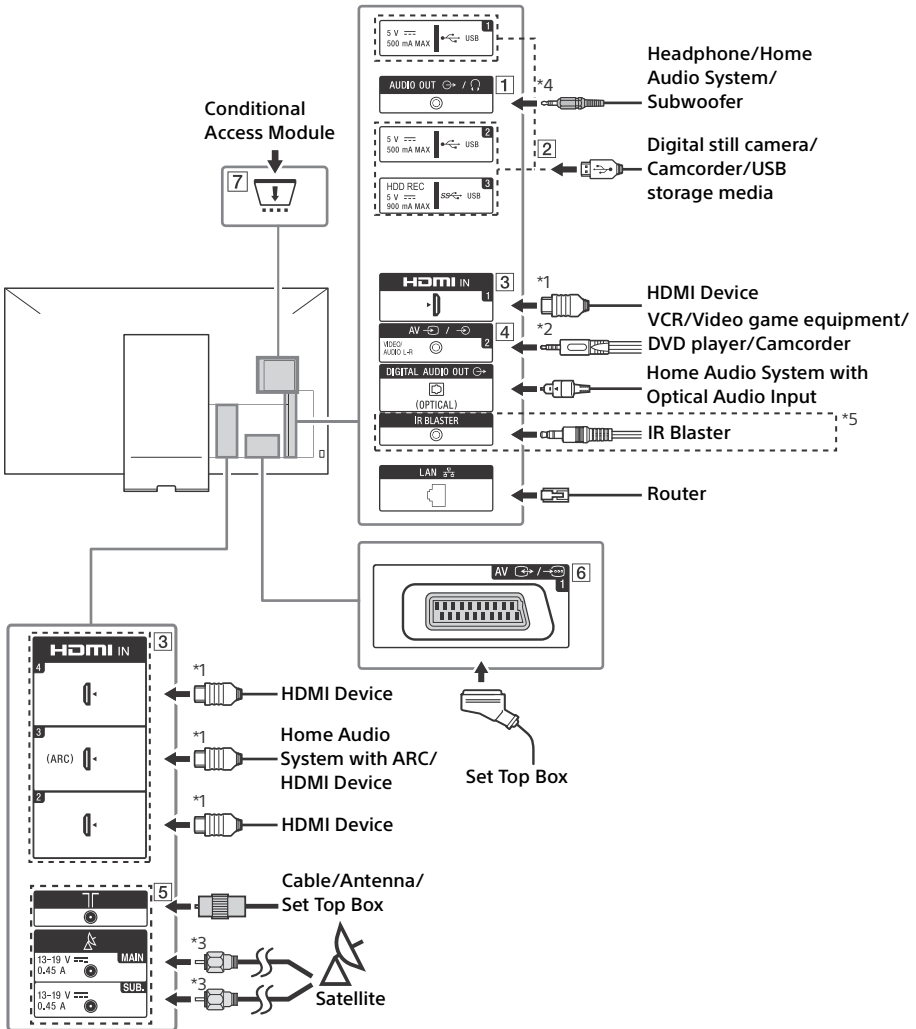
Record the current programme with the USB HDD recording function.

TITLE LIST

Display the Title list.

Connection Diagram

For more information on connections, refer to the Help Guide (page 2).



1 AUDIO OUT *4

- To listen to the TV's sound through the connected equipment, press **HOME**. Select [Settings] → [Sound] → [Headphone/Audio out] and then select the desired item.

2 **USB 1/2**, **USB 3 (HDD REC)*5**

- Connecting a large USB device may interfere with other connected devices beside it.
- When connecting a large USB device, connect to the USB 1 port.

3 HDMI IN 1/2/3/4

- If connecting a digital audio system that is compatible with Audio Return Channel (ARC) technology, use HDMI IN 3. If not, an additional connection with DIGITAL AUDIO OUT (OPTICAL) is necessary.

4 **AV 2**

- For a composite connection, use the supplied Analogue Extension Cable*5.

5 **(RF input)**, **(Satellite input)**

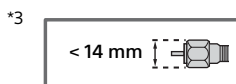
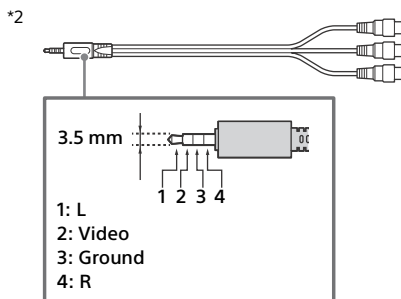
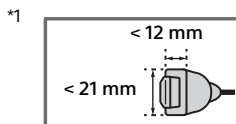
- Connections for terrestrial/cable and satellite. Connection steps: MAIN → Antenna → SUB.
- For SUB. jack, connect only when you are using twin tuner mode except for Single Cable Distribution EN50494.

6 **AV 1**

- Connect with a SCART cable. When you connect an analogue decoder, the TV tuner outputs scrambled signals to the decoder, and the decoder unscrambles the signals before outputting them.

7 **CAM (Conditional Access Module)**

- Provides access to pay TV services. For details, refer to the instruction manual supplied with your CAM.
- Do not insert the smart card directly into the TV CAM slot. It must be fitted into the Conditional Access Module provided by your authorised dealer.
- CAM is not supported in some countries/ areas. Check with your authorised dealer.
- A CAM message may appear when you switch to a digital programme after using the Internet video.



*4 Supports 3-pole stereo mini jack only.

*5 Only on limited region/country/TV model.

Installing the TV to the Wall

This TV's instruction manual only shows the steps on preparing the installation of the TV before installing to the wall.

To Customers:

For product protection and safety reasons, Sony strongly recommends that installation of your TV be performed by Sony dealers or licensed contractors. Do not attempt to install it yourself.

To Sony Dealers and Contractors:

Provide full attention to safety during the installation, periodic maintenance and examination of this product.

Sufficient expertise is required for installing this product, especially to determine the strength of the wall for withstanding the TV's weight. Be sure to entrust the attachment of this product to the wall to Sony dealers or licensed contractors and pay adequate attention to safety during the installation. Sony is not liable for any damage or injury caused by mishandling or improper installation.

Use the Wall-Mount Bracket SU-WL450 (not supplied) (KD-65ZD9) to install the TV to the wall. When installing the Wall-Mount Bracket, also refer to the Operating Instructions and Installation Guide supplied with the Wall-Mount Bracket.

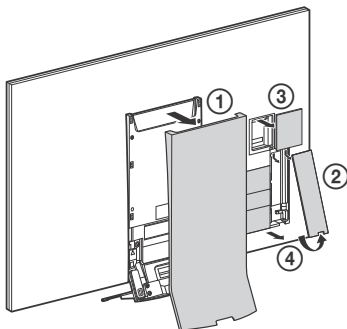
Note

- Be sure to store the removed screws in a safe place, keeping them away from children.

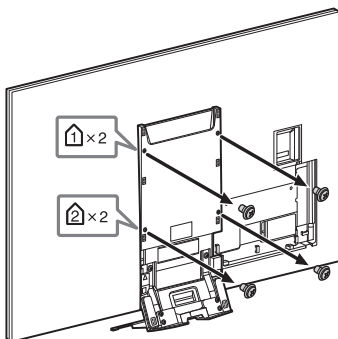


For instructions on Wall-Mount Bracket installation of your TV model, refer to the following website:
www.sony.eu/tv/wall-mount-bracket-manual

1 Remove the Side, Inside, Top and Center Cover.



2 Remove the screws from the rear of the TV.



KD-75ZD9 only

Your TV can be mounted on a wall using a Wall-Mount Bracket (not supplied) out of the box as packaged.

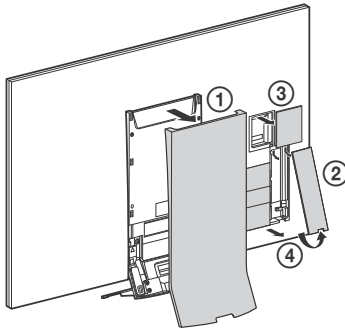
Prepare the TV for the Wall-Mount Bracket before making cable connections.

For product protection and safety reasons, Sony strongly recommends that installation of your TV on the wall be performed by qualified professionals. Do not attempt to install it yourself.

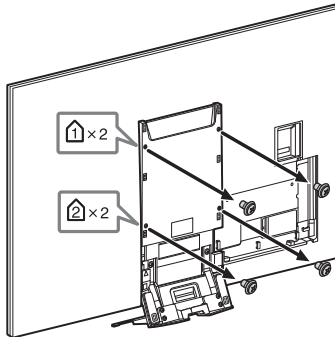
- Follow the instructions provided with the Wall-Mount Bracket for your model. Sufficient expertise is required in installing this TV, especially to determine the strength of the wall for withstanding the TV's weight.
- Be sure to store the unused screws and Table-Top Stand in a safe place until you are ready to attach the Table-Top Stand. Keep the screws away from small children.

KD-75ZD9 only

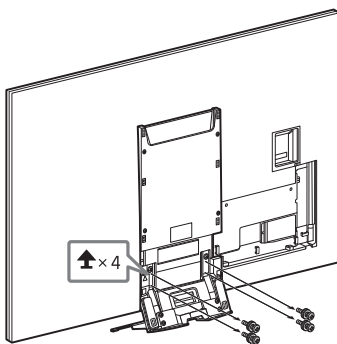
- 1 Remove the Side, Inside, Top and Center Cover.



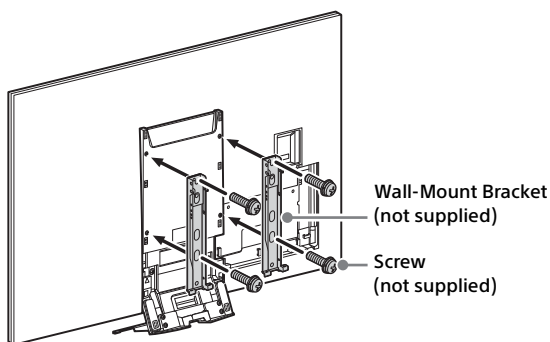
- 2 Remove the screws from the rear of the TV.



3 Detach the Table-Top Stand from the TV.



4 Attach the Wall-Mount Bracket (not supplied) using the screws (not supplied).



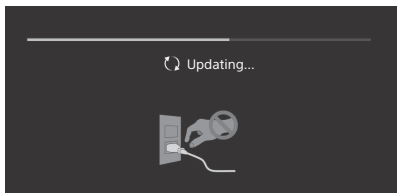
Note

- If using an electric screwdriver, set the torque at approximately 1.5 N·m {15 kgf·cm}.

Troubleshooting

In order to keep your TV software up-to-date, it is necessary to download the latest software information via the digital broadcasting system or internet and to update the software. Select [Update Now] to start a software update. The illumination LED flashes white while the software is updating.

The following screen with [Updating...] will appear while software is updating.



Do not unplug the mains lead during the software update. If you do, the software update may not finish completely, and it may cause a software malfunction. Software updates can take up to 30 minutes. If you do not wish to update the software automatically, press **HOME** and select [Help] → [System software update] → [Automatic software download] → [Off].

When you plug in TV, the TV may not be able to turn on for a while even if you press the power button on the remote control or the TV, because it takes time to initialize the system. Wait for about one minute, then operate it again.

When you turn on by pressing the power button on the remote control or the TV, it takes some time to turn on the illumination LED and for the remote control to be functional.

When the illumination LED is flashing in red, count how many times it flashes (interval time is three seconds).

If the illumination LED flashes red, reset the TV by disconnecting the mains lead for two minutes, then turn on the TV.

If the problem persists, contact your dealer or Sony service centre with the number of times the illumination LED flashes red (interval time is three seconds). Disconnect the mains lead, and inform your dealer or Sony service centre.

When the illumination LED is not flashing, check the items as follows.

You can also refer to troubleshooting in the Help Guide or perform self-diagnosis by selecting [Help] → [Self diagnostics]. If the problem persists, have your TV serviced by qualified service personnel.

Troubles and Solutions

There is no picture (screen is dark) and no sound.

- Check the antenna (aerial)/cable connection.
- Connect the TV to mains lead, and press \odot on the TV or the remote control.

Some programmes cannot be tuned.

- Check the antenna (aerial)/cable connection.
- The satellite cable might be short-circuited or there might be connection problems with the cable. Check the cable connection and then turn the TV off with the Mains power On/Off switch, and turn it on again.
- The frequency that you entered is out of range. Consult the received satellite broadcasting company.

There is no Cable TV services (programmes) found.

- Check the cable connection or tuning configuration.
- Attempt the [Digital Auto Tuning] by selecting [Antenna] instead of [Cable].

The remote control does not function.

- Replace the batteries.

The [Parental lock (Broadcast)] password has been forgotten.

- Enter 9999 for the PIN code. Update PIN code by selecting [Settings] → [Parental lock (Broadcast)] → [Change PIN code].

The TV surrounds become warm.

- When the TV is used for an extended period, the TV surrounds become warm.
You may feel hot when touching there by the hand.

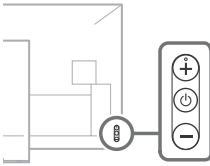
Frozen audio or video, a blank screen, or the TV does not respond to TV or remote control buttons.

- Perform a simple reset of the TV by unplugging the mains lead for two minutes, then plug it in again.

The **⏻**, **+**, and **-** buttons cannot be located on the TV.

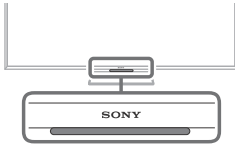
- See below illustration for location of the buttons on the TV.

Rear of TV



The illumination LED is turned on.

- If you do not wish to light up the illumination LED, you can turn it off. Press **HOME**, then select [Settings] → [Illumination LED] → [Off].



Cannot connect to a wireless router by WPS (Wi-Fi Protected Setup).

- If you use WEP security, select [Easy] → [Wi-Fi] → [Connect by scan list]. Then, select the network name (SSID) you want to connect.

Cannot find the required network name in network setup.

- Select [[Manual entry]] and press **⊕** to enter network name.

Specifications

System

Panel system

LCD (Liquid Crystal Display) Panel, LED Backlight

TV system

Depending on your country/area selection/TV model

Analogue: B/G, D/K, L, I

Digital: DVB-T/DVB-C

DVB-T2*

Satellite*: DVB-S/DVB-S2

Colour system

PAL, SECAM, NTSC3.58 (Video only), NTSC4.43 (Video only)

Channel coverage

Depending on your country/area selection/TV model

Analogue: UHF/VHF/Cable

Digital: UHF/VHF/Cable

Satellite*: IF Frequency 950-2,150 MHz

Sound output

10 W + 10 W

Wireless technology

Protocol IEEE802.11ac/a/b/g/n

(IEEE802.11ac may not be available depending on countries/regions.)

Bluetooth Version 4.1

- * Not all the TV sets have DVB-T2 or DVB-S/S2 technology or satellite antenna terminal.

Input/Output jacks

Antenna (aerial)/cable

75 ohm external terminal for VHF/UHF

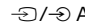
Satellite antenna

Female F-Type Connector, 75 ohm.

DiSEqC 1.0, LNB 13 V/18 V & 22 kHz tone, Single Cable Distribution EN50494.

 AV 1

21-pin scart connector (CENELEC standard) including audio/video input, RGB input and TV audio/video output.

 AV 2

Video/Audio input (mini jack)

HDMI IN 1, 2, 3, 4 (Support 4K resolution, HDCP 2.2-compatible)

Video (2D):

4096 × 2160p (50, 60 Hz)*¹, *², 4096 × 2160p (24 Hz)*¹, 3840 × 2160p (50, 60 Hz)*², 3840 × 2160p (24, 25, 30 Hz), 1080p (30, 50, 60 Hz), 1080/24p, 1080i (50, 60 Hz), 720p (30, 50, 60 Hz), 720/24p, 576p, 576i, 480p, 480i, PC Formats

*¹ 3840 × 2160p is displayed when

4096 × 2160p is input

*² HDMI IN 2 / 3 only.

Video (3D) (3D compatible models only):

Frame Packing: 1080p (30Hz), 1080/24p, 1080i (50, 60Hz), 720p (30, 50, 60Hz), 720/24p

Side-by-Side: 1080p (50, 60Hz), 1080/24p, 1080i (50, 60Hz), 720p (50, 60Hz)

Over-Under: 1080p (30, 50, 60Hz), 1080/24p, 1080i (50, 60Hz), 720p (50, 60Hz)


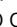
Audio: 5.1 channel linear PCM: 32, 44.1, 48, 88.2, 96, 176.4 and 192 kHz, 16, 20 and 24 bits, Dolby Digital, Dolby Digital Plus and DTS

ARC (Audio Return Channel) (HDMI IN 3 only)

(Two channel linear PCM, Dolby Digital, Dolby Digital Plus, DTS)

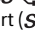
 DIGITAL AUDIO OUT (OPTICAL)

Digital optical jack (Two channel linear PCM, Dolby Digital, DTS)

AUDIO OUT   (Stereo mini jack)

Headphone, Audio output, Subwoofer

¹, ², ³ (HDD REC)*¹

USB device port (³ 3 USB HDD device for REC feature)

USB port 1 and 2 support High Speed USB (USB2.0).

USB port 3 supports Super Speed USB (USB3.0).



CAM (Conditional Access Module) slot



10BASE-T/100BASE-TX connector (Depending on the operating environment of the network, connection speed may differ. 10BASE-T/100BASE-TX communication rate and communication quality are not guaranteed for this TV.)

IR BLASTER *¹

IR Blaster Cable input (mini jack)

Others

Optional accessories

Wall-Mount Bracket: SU-WL450 (KD-65ZD9 only)

Wireless Subwoofer: SWF-BR100

Active 3D Glasses: TDG-BT500A



Operating temperature

0 °C – 40 °C

Operating humidity

10 % – 80 % RH (non-condensing)

Power, Product Fiche and others

Power requirements

Rating: Input 220 V - 240 V AC, 50 Hz

Energy Efficiency Class

KD-75ZD9: B

KD-65ZD9: B

Screen size (measured diagonally) (Approx.)

KD-75ZD9: 189.3 cm / 75 inches

KD-65ZD9: 163.9 cm / 65 inches

Power consumption

in [Standard] mode

KD-75ZD9: 259 W

KD-65ZD9: 210 W

in [Vivid] mode

KD-75ZD9: 453 W

KD-65ZD9: 347 W

Average annual energy consumption*²

KD-75ZD9: 359 kWh

KD-65ZD9: 291 kWh

Standby power consumption*^{3&4}

0.50 W (27 W in software/EPG update mode)

Display resolution

3,840 dots (horizontal) × 2,160 lines (vertical)

Output Rating

USB 1/2: 5 V, , 500 mA MAX

USB 3: 5 V, , 900 mA MAX

Dimensions (Approx.) (w × h × d)

with Table-Top Stand

KD-75ZD9: 168.4 × 104.7 × 27.8 cm

KD-65ZD9: 146.2 × 92.0 × 26.8 cm

without Table-Top Stand

KD-75ZD9: 168.4 × 97.3 × 7.8 cm

KD-65ZD9: 146.2 × 84.7 × 7.8 cm

Mass (Approx.)

with Table-Top Stand

KD-75ZD9: 45.1 kg

KD-65ZD9: 35.7 kg

without Table-Top Stand

KD-75ZD9: 41.3 kg

KD-65ZD9: 32 kg

*1 Only on limited region/country/TV model.

*2 Energy consumption per year, based on the power consumption of the television operating 4 hours per day for 365 days. The actual energy consumption will depend on how the television is used.

*3 Specified standby power is reached after the TV finishes necessary internal processes.

*4 Standby power consumption will increase when your TV is connected to the network.

Note

- Do not remove the dummy card from TV CAM (Conditional Access Module) slot other than to insert a smart card fitted in CAM.
- Optional accessories availability depends on countries/region/TV model/stock.
- Design and specifications are subject to change without notice.

Notes on Digital TV function

- Any functions related to Digital TV (DVB) will only work in countries or areas where DVB-T/DVB-T2 (MPEG-2 and H.264/MPEG-4 AVC) digital terrestrial signals are broadcast or where you have access to a compatible DVB-C (MPEG-2 and H.264/MPEG-4 AVC) cable service. Please confirm with your local dealer if you can receive a DVB-T/DVB-T2 signal where you live or ask your cable provider if their DVB-C cable service is suitable for integrated operation with this TV.
- Your cable provider may charge a fee for their services, or require you to agree to its terms and conditions of business.
- This TV set complies with DVB-T/DVB-T2 and DVB-C specifications, but compatibility with future DVB-T/DVB-T2 digital terrestrial and DVB-C digital cable broadcasts are not guaranteed.
- Some Digital TV functions may not be available in some countries/areas and DVB-C cable may not operate correctly with some providers.

Trademark Information

- The terms HDMI and HDMI High-Definition Multimedia Interface, and the HDMI Logo are trademarks or registered trademarks of HDMI Licensing LLC in the United States and other countries.
- Manufactured under license from Dolby Laboratories. Dolby, Dolby Audio, and the double-D symbol are trademarks of Dolby Laboratories.
- "BRAVIA" and BRAVIA are trademarks of Sony Corporation.
- Gracenote, Gracenote eyeQ, Gracenote VideoID, Gracenote Video Explore, the Gracenote logo and logotype, and the "Powered by Gracenote" logo are either registered trademarks or trademarks of Gracenote in the United States and/or other countries.
- Opera® Devices SDK from Opera Software ASA. Copyright 1995-2015 Opera Software ASA. All rights reserved.
- Wi-Fi, Wi-Fi Direct, Miracast, Wi-Fi Protected Setup and Wi-Fi CERTIFIED Logo are trademarks or registered trademarks of Wi-Fi Alliance.
- For DTS patents, see <http://patents.dts.com>. Manufactured under license from DTS, Inc. DTS, the Symbol, & DTS and the Symbol together are registered trademarks, and DTS Digital Surround is a trademark of DTS, Inc. © DTS, Inc. All Rights Reserved.
- QuickSet and the QuickSet logo are trademarks of Universal Electronics Inc. Portions © UEI 2000-2015
- The Bluetooth® word mark and logos are registered trademarks owned by Bluetooth SIG, Inc. and any use of such marks by Sony Corporation is under license. Other trademarks and trade names are those of their respective owners.
- DiSEqC™ is a trademark of EUTELSAT. This TV supports DiSEqC 1.0. This TV is not intended for controlling motorized antennas.
- TUXERA is a registered trademark of Tuxera Inc. in the US and other countries.
- USB-IF SuperSpeed USB Trident logo is a registered trademark of USB Implementers Forum, Inc. 

Table des matières

AVIS IMPORTANT	2
Consignes de sécurité	3
Précautions	5
Pièces et commandes	7
Commandes et voyants	7
Utilisation de la télécommande	8
Description des pièces de la télécommande	8
Schéma de connexion	10
Installation du téléviseur au mur	12
KD-75ZD9 uniquement	14
Dépannage	16
Problèmes et solutions	16
Spécifications	18

Introduction

Sony vous remercie d'avoir choisi ce téléviseur. Avant de l'utiliser, nous vous invitons à lire attentivement ce manuel et à le conserver pour vous y référer ultérieurement.

Remarque

- Avant d'utiliser le téléviseur, lisez les « Consignes de sécurité » (page 3).
- Les images et illustrations reprises dans ce manuel et dans le Guide d'installation sont fournies pour référence uniquement et peuvent présenter des différences par rapport au produit proprement dit.

Emplacement du Guide d'installation

Le Guide d'installation est placé au-dessus du rembourrage à l'intérieur du carton du téléviseur.

Guide d'aide

La fonction Aide contient un grand nombre d'informations concernant votre téléviseur. Pour utiliser la fonction Aide, appuyez sur la touche **HELP** de la télécommande. Vous y trouverez les réponses à vos questions concernant l'utilisation de l'appareil et les procédures de dépannage, en consultant la liste des rubriques ou par l'intermédiaire de la recherche vocale ou textuelle par mots-clés. Sélectionnez [Guide d'aide] dans le menu Aide pour afficher le manuel. Si vous connectez votre téléviseur à Internet, la fonction Aide et les informations qu'elle contient seront mises à jour.

Emplacement de l'étiquette d'identification

Les étiquettes reprenant le numéro de modèle, la date de production (année/mois) et les caractéristiques nominales de l'alimentation se trouvent à l'arrière du téléviseur ou de l'emballage. Vous les trouverez en retirant le capot central.

AVERTISSEMENT
POUR ÉVITER LES
INCENDIES, TENEZ
TOUJOURS LES BOUGIES ET
AUTRES FLAMMES NUES
ÉLOIGNÉES DE CE PRODUIT.



AVIS IMPORTANT

Ce produit a été fabriqué par ou pour le compte de Sony Corporation, 1-7-1 Konan Minato-ku Tokyo, 108-0075 Japon. Toutes les questions relatives à la conformité des produits basées sur la législation européenne doivent être adressées à son représentant, Sony Belgium, bijkantoor van Sony Europe Limited, Da Vincilaan 7-D1, 1935 Zaventem, Belgique. Pour toute question relative au Service Après-Vente ou à la Garantie, merci de bien vouloir vous référer aux coordonnées qui vous sont communiquées dans les documents « Service (SAV) » ou Garantie.

Avis relatif au signal sans fil

Par la présente, Sony Corporation déclare que l'appareil est conforme aux exigences essentielles et aux autres dispositions pertinentes de la directive 1999/5/CE.

Pour toute information complémentaire, veuillez consulter l'URL suivante :

<http://www.compliance.sony.de/>

Avis aux clients : les informations suivantes s'appliquent uniquement aux appareils vendus dans les pays qui appliquent les directives de l'UE.



Le système de télévision sans fil peut être utilisé dans les pays suivants :

AT, BE, HR, CY, CZ, DK, EE, FI, FR, DE, GR, HU, IE, IT, LV, LT, LU, MT, NL, PL, PT, SK, SI, ES, SE, GB, IS, LI, NO, CH, BG, RO, TR, AL, BA, MK, MD, RS, ME, Kosovo

Cet appareil peut être utilisé dans d'autres pays non européens.

Consignes de sécurité

AVERTISSEMENT

Les piles ne doivent pas être exposées à une chaleur excessive, par exemple rayon du soleil, feu ou toute source de chaleur similaire.

Ne placez jamais un téléviseur dans un endroit instable. Un téléviseur peut tomber et occasionner de graves blessures corporelles, voire la mort. De nombreuses blessures, notamment chez les enfants, peuvent être évitées en prenant de simples précautions telles que :

- Utiliser les meubles ou les supports recommandés par le fabricant du téléviseur.
- N'utiliser que des meubles capables de supporter le téléviseur en toute sécurité.
- S'assurer que le téléviseur ne dépasse pas du bord du meuble qui le supporte.
- Ne pas placer le téléviseur sur un meuble haut (par exemple, armoires ou bibliothèques) sans ancrer à la fois le meuble et le téléviseur à un support adapté.
- Ne pas placer le téléviseur sur du tissu ou autre matériau placé entre le téléviseur et le meuble de support.
- Apprendre aux enfants qu'il est dangereux de monter sur le meuble pour atteindre le téléviseur ou ses touches de commande.

Si vous conservez et déménagez votre téléviseur existant, les points ci-dessus doivent également être pris en compte et appliqués.

Installation/Mise en place

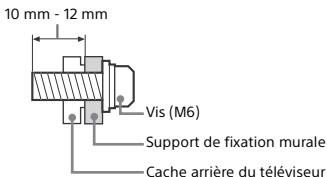
Installez et utilisez le téléviseur conformément aux instructions ci-dessous afin d'éviter tout risque d'incendie, d'électrocution ou autre dommage et/ou blessure.

Installation

- Le téléviseur doit être installé à proximité d'une prise de courant aisément accessible.
- Positionnez le téléviseur sur une surface stable et horizontale afin d'éviter qu'il ne tombe, n'entraîne des blessures ou n'endommage des biens.
- Installez le téléviseur dans un endroit où vous ne risquez pas de le pousser, de le tirer ou de le renverser.
- L'installation murale du téléviseur doit être confiée à un technicien spécialisé.
- Pour des raisons de sécurité, il est vivement recommandé d'utiliser les accessoires Sony, notamment :
Support de fixation murale
– SU-WL450 (KD-65ZD9 uniquement)
- Veillez à bien utiliser les vis fournies avec le support de fixation murale lors de la mise en place du support de fixation murale sur le téléviseur. Les vis fournies sont conçues de la manière illustrée, mesurées à partir de la surface de fixation du support de fixation murale.

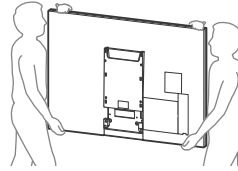
Leur diamètre et leur longueur varient suivant le modèle de support de fixation murale.

L'utilisation de vis autres que celles fournies peut occasionner des dégâts à l'intérieur du téléviseur ou provoquer sa chute, etc.



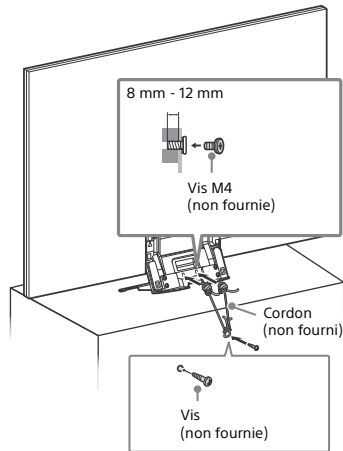
Transport

- Avant de transporter le téléviseur, débranchez tous ses câbles.
- La présence de deux ou trois personnes est nécessaire pour le transport des téléviseurs de grande taille.
- Pour transporter le téléviseur à la main, saisissez-le de la manière illustrée. N'exercez aucune pression sur le panneau LCD ni sur le cadre qui entoure l'écran.



- Lorsque vous transportez le téléviseur, ne le soumettez pas à des secousses ou des vibrations excessives.
- Lorsque vous transportez le téléviseur pour le porter à réparer ou lorsque vous déménagez, glissez-le dans son emballage et son carton d'origine.

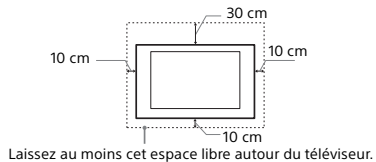
Prévention des basculements



Aération

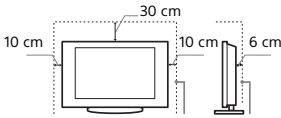
- Vous ne devez jamais obstruer les orifices d'aération du boîtier ni y introduire un objet quelconque.
- Laissez un espace libre autour du téléviseur, comme indiqué ci-dessous.
- Il est vivement recommandé d'utiliser le support de fixation murale Sony pour favoriser la circulation adéquate de l'air.

Installation murale



Laissez au moins cet espace libre autour du téléviseur.

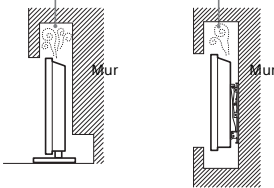
Installation sur pied



Laissez au moins cet espace libre autour du téléviseur.

- Pour une ventilation correcte, sans accumulation de saletés ni de poussière :
 - Ne placez pas le téléviseur à plat, à l'envers, vers l'arrière ou sur le côté.
 - Ne placez pas le téléviseur sur une étagère, un tapis, un lit ou dans un placard.
 - Ne couvrez pas le téléviseur avec des tissus tels que des rideaux, pas plus qu'avec des journaux, etc.
 - N'installez pas le téléviseur comme illustré ci-dessous.

La circulation de l'air est bloquée.



Cordon d'alimentation secteur

Manipulez le cordon et la prise d'alimentation secteur comme indiqué ci-dessous afin d'éviter tout risque d'incendie, d'électrocution ou autre dommage et/ou blessure :

- Utilisez uniquement un cordon d'alimentation Sony et pas d'une autre marque.
- Insérez la fiche à fond dans la prise secteur.
- Utilisez le téléviseur sur une alimentation de 220 V - 240 V CA uniquement.
- Pour votre propre sécurité, assurez-vous que le cordon d'alimentation secteur est débranché lorsque vous réalisez des branchements et veillez à ne pas trébucher dans les câbles.
- Avant d'effectuer tout type d'intervention ou de déplacer le téléviseur, débranchez le cordon d'alimentation secteur de la prise de courant.
- Eloignez le cordon d'alimentation secteur des sources de chaleur.
- Débranchez la fiche du cordon d'alimentation secteur et nettoyez-la régulièrement. Si la fiche accumule de la poussière ou est exposée à l'humidité, son isolation peut se détériorer et un incendie peut se déclarer.

Remarque

- N'utilisez pas le cordon d'alimentation fourni avec un autre appareil.
- Ne pliez pas et ne tordez pas exagérément le cordon d'alimentation secteur. Cela pourrait mettre à nu ou rompre les fils conducteurs.
- Ne modifiez pas le cordon d'alimentation secteur.
- Ne posez jamais d'objet lourd sur le cordon d'alimentation secteur.
- Ne tirez jamais sur le cordon d'alimentation secteur proprement dit pour le débrancher.
- Veillez à ne pas brancher un trop grand nombre d'appareils sur la même prise de courant.
- Pour la prise de courant, n'utilisez pas une prise de mauvaise qualité.

Ce qu'il ne faut pas faire

N'installez/n'utilisez pas le téléviseur dans des lieux, environnements ou situations comparables à ceux répertoriés ci-dessous car sinon, il risque de ne pas fonctionner correctement ou de provoquer un incendie, une électrocution, d'autres dommages et/ou des blessures.

Lieu :

- A l'extérieur (en plein soleil), au bord de la mer, sur un bateau ou voilier, à l'intérieur d'un véhicule, dans des établissements hospitaliers, des sites instables, exposés à la pluie, l'humidité ou à la fumée.

Environnement :

- Endroits excessivement chauds, humides ou poussiéreux ; accessibles aux insectes ; soumis à des vibrations mécaniques, à proximité d'objets inflammables (bougies, etc.). Le téléviseur ne doit être exposé à aucune forme d'écoulement ou d'éclaboussure. C'est pourquoi aucun objet rempli d'un liquide quelconque, comme un vase, ne doit être placé sur le téléviseur.

Situation :

- À utiliser lorsque vos mains sont mouillées, en l'absence de boîtier, ou avec des accessoires non recommandés par le fabricant. En cas d'orage, débranchez le téléviseur de la prise secteur et de la prise d'antenne.
- Installer le téléviseur de manière saillante dans un espace ouvert. Des personnes pourraient se blesser ou endommager l'appareil ou des objets pourraient se heurter au téléviseur.



- Placer le téléviseur dans un endroit humide ou poussiéreux, ou dans une pièce pleine de vapeur ou de fumée grasse (près des tables de cuisson ou d'humidificateurs). Il pourrait en résulter un incendie, des risques d'électrocution ou des déformations.
- Installer le téléviseur à des endroits soumis à des températures extrêmes, par exemple à la lumière directe du soleil, ou près d'un radiateur ou d'un ventilateur soufflant de l'air chaud. Il peut en résulter une surchauffe du téléviseur, susceptible de déformer le boîtier et/ou d'entraîner le dysfonctionnement du téléviseur.



- Si le téléviseur est placé dans les vestiaires de thermes ou de bains publics, le soufre dans l'atmosphère, etc., risque de l'endommager.



- Pour une qualité d'image optimale, n'exposez pas l'écran à un éclairage direct ou aux rayons directs du soleil.
- Évitez de déplacer le téléviseur d'une zone à une zone chaude. Les changements brusques de température ambiante peuvent entraîner une condensation de l'humidité. Le téléviseur peut alors diffuser des images et/ou des couleurs de qualité médiocre. Dans une telle éventualité, laissez l'humidité s'évaporer complètement avant de mettre le téléviseur sous tension.

Eclats et projections d'objets :

- Ne projetez aucun objet en direction du téléviseur. Le verre de l'écran pourrait être brisé lors de l'impact et provoquer des blessures graves.
- Si la surface de l'écran se fendille, ne touchez pas le téléviseur avant d'avoir débranché le cordon d'alimentation secteur. Sinon, cela pourrait entraîner un risque d'électrocution.

Au repos

- Si vous envisagez de ne pas utiliser le téléviseur pendant plusieurs jours, il est conseillé de le débrancher de l'alimentation secteur pour des raisons de sécurité et de protection de l'environnement.
- Le téléviseur étant toujours sous tension lorsqu'il est simplement éteint, débranchez la fiche d'alimentation secteur de la prise de courant pour le mettre complètement hors tension.
- Certains téléviseurs possèdent des caractéristiques dont le bon fonctionnement peut exiger que l'appareil demeure sous tension lorsqu'il est en mode veille.

Avec les enfants

- Ne laissez pas les enfants grimper sur le téléviseur.
- Conservez les petits accessoires hors de portée des enfants pour éviter tout risque d'ingestion accidentelle.

Si vous rencontrez les problèmes suivants...

Eteignez le téléviseur et débranchez immédiatement le cordon d'alimentation de la prise secteur si l'un des problèmes suivants devait survenir.

Contactez votre revendeur ou le centre de service après-vente Sony pour faire contrôler votre téléviseur par un technicien spécialisé.

Si :

- Le cordon d'alimentation secteur est endommagé.
- La prise de courant est de mauvaise qualité.
- Le téléviseur est endommagé après avoir subi une chute, un impact ou la projection d'un objet.
- Un objet liquide ou solide a pénétré à l'intérieur des ouvertures du boîtier.

À propos de la température du téléviseur LCD

Si vous utilisez le téléviseur LCD pendant une période prolongée, la température augmente dans la zone entourant le panneau. Si vous le touchez, vous remarquerez peut-être qu'il est chaud.

Précautions

Regarder la télévision

- Regarder la télévision dans une pièce modérément éclairée ou peu éclairée ou pendant une période prolongée soumet vos yeux à un effort.
- Si vous utilisez un casque, réglez le volume de façon à éviter un niveau sonore excessif qui pourrait altérer votre capacité auditive.

(Modèles compatibles 3D uniquement)

- Certaines personnes peuvent ressentir une gêne (comme des troubles de la vue, de la fatigue ou des nausées) lorsqu'elles regardent des images vidéo 3D ou jouent à des jeux 3D stéréoscopiques. Sony recommande à tous les téléspectateurs de faire des pauses régulières lorsqu'ils regardent des images vidéo 3D ou jouent à des jeux 3D stéréoscopiques. La durée et la fréquence des pauses varient en fonction des personnes. À vous de décider ce qui vous convient le mieux. Si vous ressentez la moindre gêne, il vous est conseillé d'arrêter de regarder les images vidéo 3D ou d'arrêter de jouer aux jeux 3D stéréoscopiques jusqu'à ce que la gêne disparaisse. Consultez un docteur si vous le jugez nécessaire. Il est également conseillé de relire (i) le manuel d'instructions de tous les périphériques utilisés avec la télévision et (ii) de consulter notre site Internet (www.sony.eu/support) pour avoir les dernières informations. La vue des jeunes enfants (particulièrement ceux qui ont moins de six ans) est encore en plein développement. Consultez votre docteur (comme un pédiatre ou un ophtalmologue) avant d'autoriser les jeunes enfants à regarder des images vidéo 3D ou à jouer à des jeux 3D stéréoscopiques. Les adultes doivent surveiller les jeunes enfants pour vérifier qu'ils suivent bien les recommandations données ci-dessus.
- N'utilisez pas, ne rangez pas et ne laissez pas les lunettes 3D ou la pile près d'un feu, dans des endroits où la température est élevée, notamment sous les rayons directs du soleil ou dans un véhicule en plein soleil.

Ecran LCD

- Bien que l'écran LCD soit fabriqué avec une technologie de haute précision et soit doté d'une définition de pixels effectifs de 99,99 % ou supérieure, il est possible que quelques points noirs ou points lumineux (rouges, bleus ou verts) apparaissent constamment sur l'écran. Ce phénomène est inhérent à la structure de l'écran LCD et n'indique pas un dysfonctionnement.
- N'appuyez pas sur le filtre avant, ne l'érafliez pas et ne placez pas d'objets sur ce téléviseur. L'image pourrait être instable ou l'écran LCD être endommagé.
- Si ce téléviseur est utilisé dans un environnement froid, l'image peut apparaître sale ou sombre. Ce n'est pas le signe d'un dysfonctionnement. Ce phénomène disparaît au fur et à mesure que la température augmente.
- Une image rémanente peut apparaître lorsque des images fixes sont affichées en continu. Elle peut disparaître au bout d'un certain temps.
- L'écran et le boîtier se réchauffent lorsque le téléviseur est en cours d'utilisation. Ceci n'a rien d'anormal.
- L'écran LCD contient une petite quantité de cristaux liquides. Respectez les réglementations locales en vigueur concernant la mise au rebut de cet équipement.

Traitement et nettoyage du boîtier et de la surface de l'écran du téléviseur

Assurez-vous que le cordon d'alimentation secteur relié au téléviseur est débranché de la prise de courant avant d'entreprendre toute opération de nettoyage. Pour éviter toute dégradation du matériau ou du revêtement de l'écran, respectez les précautions suivantes.

- Pour ôter la poussière du boîtier ou de la surface de l'écran, frottez délicatement avec un linge doux. En cas de saleté tenace, frottez avec un linge doux légèrement imprégné d'une solution à base de détergent doux dilué.
- Ne jamais vaporiser d'eau ou de détergent directement sur le téléviseur. Le liquide pourrait couler au bas de l'écran ou sur les parties extérieures, voire pénétrer dans le téléviseur et l'endommager.
- N'utilisez jamais d'éponge abrasive, de produit de nettoyage alcalin/acide, de poudre à récurer ou de solvant volatil, qu'il s'agisse d'alcool, d'essence, de diluant ou d'insecticide. L'utilisation de ces produits ou tout contact prolongé avec des matériaux en caoutchouc ou en vinyle peut endommager la surface de l'écran et le matériau du boîtier.
- Ne touchez pas le téléviseur si votre main est recouverte d'une substance chimique quelconque, comme de la crème pour les mains ou de l'écran total.
- Le nettoyage régulier des ouvertures de ventilation est recommandé pour assurer une ventilation correcte.
- Si l'angle du téléviseur doit être réglé, déplacez lentement ce dernier pour éviter qu'il ne se désolidarise et tombe de son pied.

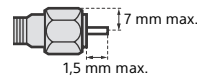


Appareils optionnels

- Éloignez le téléviseur de tout appareil ou équipement optionnel émettant des rayonnements électromagnétiques. Sinon, cela pourrait entraîner une déformation de l'image et/ou un bruit.
- Cet appareil a été testé et déclaré conforme aux limites de la Directive CEM lors de l'utilisation d'un câble de signal de liaison dont la longueur ne dépasse pas 3 mètres.

Recommandation relative à la fiche de type F

Le fil interne ne peut pas dépasser le connecteur de plus de 1,5 mm.



(Illustration de référence de la fiche de type F)

Fonction sans fil de l'appareil

- N'utilisez pas cet appareil à proximité d'un équipement médical (stimulateur cardiaque, par exemple), car cela pourrait altérer le bon fonctionnement de ce dernier.
- Même si cet appareil émet/reçoit des signaux brouillés, soyez attentif aux éventuelles interceptions non autorisées. Nous ne pouvons être tenus responsables de tout problème que cela pourrait entraîner.

Faire attention lors de l'utilisation de la télécommande

- Respectez les polarités lors de l'insertion de piles.
- Ne mélangez pas des piles de types différents, ni des piles usagées avec des piles neuves.
- Respectez l'environnement lorsque vous jetez les piles. L'élimination des piles peut être réglementée dans certaines régions. Consultez les autorités locales.
- Manipulez la télécommande avec soin. Ne la laissez pas tomber, ne la piétinez pas et ne renversez aucun liquide sur celle-ci.
- Ne placez pas la télécommande à proximité d'une source de chaleur, dans un endroit exposé à la lumière directe du soleil ou dans une pièce humide.

Mise au rebut du téléviseur



Traitement des appareils électriques et électroniques en fin de vie (Applicable dans les pays de l'Union Européenne et aux autres pays européens disposant de systèmes de collecte sélective)

Ce symbole, apposé sur le produit ou sur son emballage, indique que ce produit ne doit pas

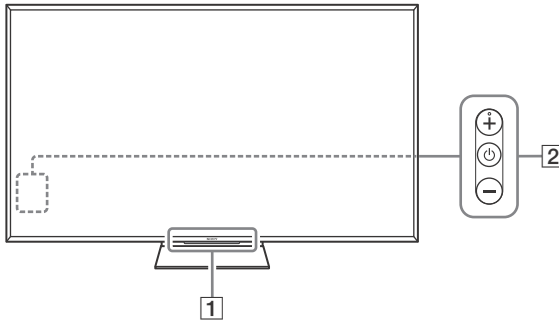
être traité avec les déchets ménagers. Il doit être remis à un point de collecte approprié pour le recyclage des équipements électriques et électroniques. En vous assurant que ce produit sont mis au rebut de façon appropriée, vous participez activement à la prévention des conséquences négatives que leur mauvais traitement pourrait provoquer sur l'environnement et sur la santé humaine. Le recyclage des matériaux contribue par ailleurs à la préservation des ressources naturelles. Pour toute information complémentaire au sujet du recyclage de ce produit, vous pouvez contacter votre municipalité, votre déchetterie locale ou le point de vente où vous avez acheté le produit.



Elimination des piles et accumulateurs usagés (Applicable dans les pays de l'Union Européenne et aux autres pays européens disposant de systèmes de collecte sélective)

Ce symbole, apposé sur les piles et accumulateurs ou sur les emballages, indique que les piles et accumulateurs fournis avec ce produit ne doivent pas être traités comme de simples déchets ménagers. Sur certains types de piles, ce symbole apparaît parfois combiné avec un symbole chimique. Les symboles pour le mercure (Hg) ou le plomb (Pb) sont rajoutés lorsque ces piles contiennent plus de 0,0005 % de mercure ou 0,004 % de plomb. En vous assurant que ces piles et accumulateurs sont mis au rebut de façon appropriée, vous participez activement à la prévention des conséquences négatives que leur mauvais traitement pourrait provoquer sur l'environnement et sur la santé humaine. Le recyclage des matériaux contribue par ailleurs à la préservation des ressources naturelles. Pour les produits qui pour des raisons de sécurité, de performance ou d'intégrité de données nécessitent une connexion permanente à une pile ou à un accumulateur, il conviendra de vous rapprocher d'un service technique qualifié pour effectuer son remplacement. En rapportant votre appareil électrique en fin de vie à un point de collecte approprié vous vous assurez que la pile ou l'accumulateur incorporé sera traité correctement. Pour tous les autres cas de figure et afin d'enlever les piles ou accumulateurs en toute sécurité de votre appareil, reportez-vous au manuel d'utilisation. Rapportez les piles ou accumulateurs usagés au point de collecte approprié pour le recyclage. Pour toute information complémentaire au sujet du recyclage de ce produit ou des piles et accumulateurs, vous pouvez contacter votre municipalité, votre déchetterie locale ou le point de vente où vous avez acheté ce produit.

Commandes et voyants



1 Capteur de télécommande*1 / Capteur de lumière*1 / Affichage LED / Émetteur de synchronisation 3D*1*2

L'affichage LED s'allume ou clignote selon l'état du téléviseur.

- Blanc
En cas de sous tension du téléviseur/ passage en mode de désactivation de l'image/mise à jour du logiciel, etc.
- Cyan
En cas de connexion sans fil à un périphérique mobile.
- Rose*2
Mode d'enregistrement.
- Orange
La minuterie est activée.

2 ⏻ (Alimentation) / + / -

Lorsque le téléviseur est éteint,
Appuyez sur ⏻ pour l'allumer.

Lorsque le téléviseur est allumé,
Appuyez longuement sur ⏻ pour l'éteindre.
Appuyez sur ⏻ plusieurs fois pour changer de fonction, puis appuyez sur la touche + ou - pour :

- Réglage du volume
- Choix du canal
- Sélection de la source d'entrée du téléviseur

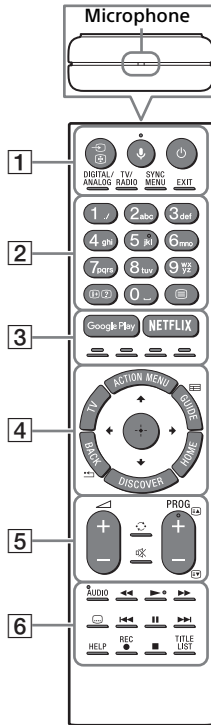
*1 Ne posez aucun objet à proximité du capteur.

*2 Uniquement pour certaines régions, certains pays ou certains modèles de téléviseur.

Utilisation de la télécommande

Description des pièces de la télécommande

La forme de la télécommande, l'emplacement, la disponibilité et la fonction des touches de la télécommande peuvent varier selon votre région/pays/modèle de téléviseur.



1 (Sélection de l'entrée/Maintien du Télétexte)

En mode TV : Pour afficher et sélectionner la source d'entrée.
En mode Télétexte : Maintenez la page en cours.

(Microphone)

Pour utiliser la fonction vocale. (Par exemple, pour rechercher du contenu à l'aide de la voix.)

(Veille du téléviseur)

Pour mettre le téléviseur sous ou hors tension (mode veille).

DIGITAL/ANALOG

Passez du mode numérique au mode analogique et vice versa.

TV/RADIO

Passez de la diffusion TV à la diffusion RADIO et vice versa.

SYNC MENU

Affichez le menu BRAVIA Sync.

EXIT

Revenez à l'écran précédent ou quittez le menu. Quand un service d'application interactive est disponible, appuyez sur cette touche pour quitter le service.

2 Touches numériques

/ (Affichage des infos/du Têlétexte)

Affichez des informations.

(Têlétexte)

Affichez les informations de Têlétexte.

3 Google Play

Accédez au service en ligne « Google Play ».

NETFLIX (Uniquement pour certaines régions, certains pays ou certains modèles de téléviseur)

Accédez au service en ligne « NETFLIX ».

Touches de couleur

Exécutez la fonction correspondante à ce moment.

4 ACTION MENU

Pour afficher la liste des fonctions contextuelles.

TV

- Commutez sur une chaîne télévisée ou une entrée provenant d'autres applications.
- Allumez le téléviseur pour afficher l'entrée ou la chaîne télévisée.

GUIDE

Affichez le guide des programmes numériques.

BACK

Revenez à l'écran précédent.

HOME

Affichez le menu Accueil du téléviseur.

DISCOVER

Affichez la barre de contenu pour rechercher du contenu.

/ / / / (Sélection/validation des options)

5 +/- (Volume)

Réglez le volume.

(Saut)

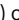
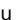
Basculez entre deux chaînes ou entrées. Le téléviseur affiche successivement la chaîne ou l'entrée en cours et la dernière chaîne ou entrée sélectionnée.

(Coupure du son)

Coupez le son. Appuyez à nouveau sur la touche pour rétablir le son.

PROG +/- / /

En mode TV : Sélectionnez la chaîne.

En mode Têlétexte : Sélectionnez la page suivante () ou précédente () .

6 AUDIO

Modifiez la langue du programme en cours de visionnage.

(Réglage sous-titre)

Activez ou désactivez les sous-titres (lorsque cette fonction est disponible).



Utilisez du contenu multimédia sur le téléviseur et le périphérique compatible BRAVIA Sync raccordé.

HELP

Affichez le menu Aide. Le Guide d'aide est accessible à partir de là.

REC

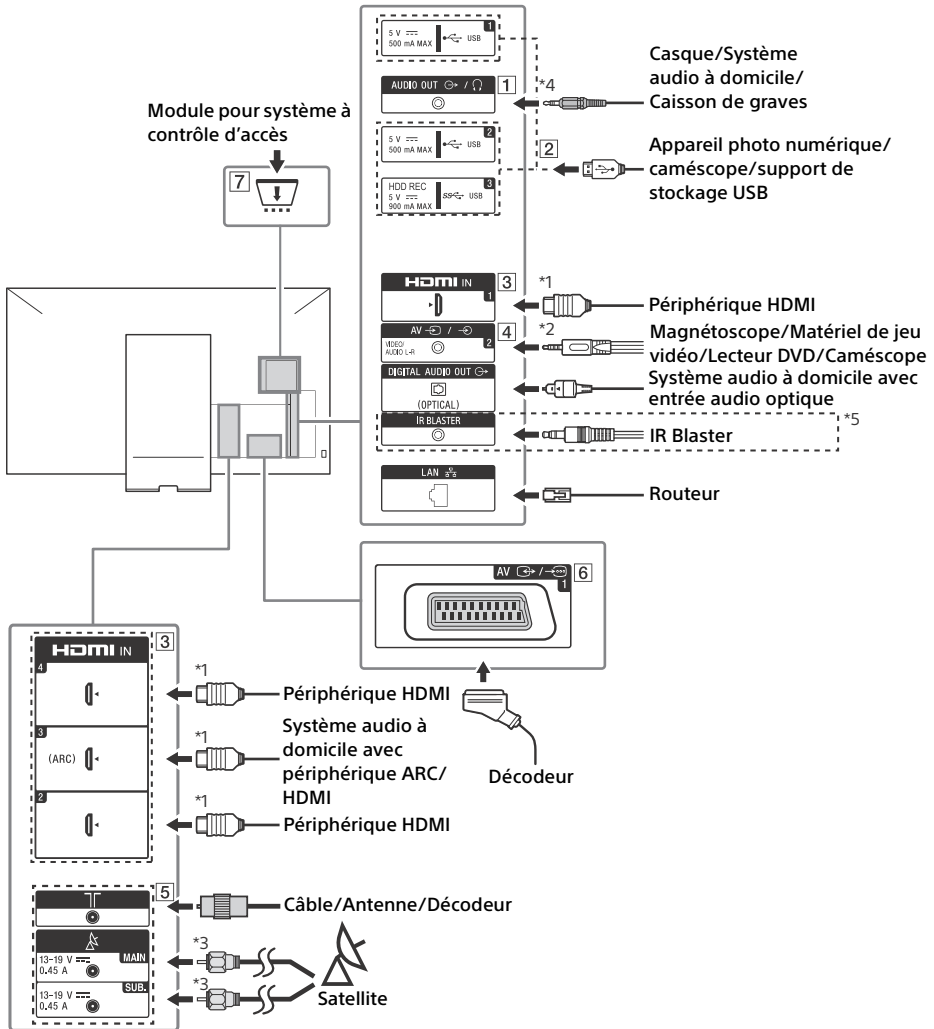
Enregistrez le programme en cours à l'aide de la fonction d'enregistrement sur USB HDD.

TITLE LIST

Affichez la liste des titres.

Schéma de connexion

Pour plus d'informations sur les connexions, consultez le Guide d'aide (page 2).



1 AUDIO OUT *4

- Pour écouter le son du téléviseur par l'intermédiaire de l'appareil raccordé, appuyez sur **HOME**. Sélectionnez [Paramètres] → [Son] → [Sortie casque/audio], puis sélectionnez l'élément de votre choix.

2 **USB 1/2, USB 3 (HDD REC)*5**

- Le raccordement d'un grand périphérique USB peut interférer avec les autres périphériques raccordés.
- Pour raccorder un grand périphérique USB, branchez-le à la prise USB 1.

3 HDMI IN 1/2/3/4

- En cas de raccordement à un système audio numérique compatible avec la technologie Audio Return Channel (ARC), utilisez HDMI IN 3. Sinon, un raccordement supplémentaire avec DIGITAL AUDIO OUT (OPTICAL) est nécessaire.

4 **AV 2**

- Dans le cas d'une connexion composite, utilisez le câble d'extension analogique fourni*5.

5 **(Entrée RF), (Entrée satellite)**

- Raccordements pour le terrestre/câble et le satellite. Étapes de raccordement : MAIN → Antenne → SUB.
- Pour la prise SUB., n'effectuez le raccordement que lorsque vous utilisez le mode double tuner pour la distribution par câble simple EN50494.

6 **AV 1**

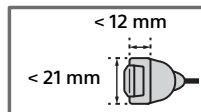
- Procédez au raccordement à l'aide d'un câble SCART. Lorsque vous raccordez un décodeur analogique, le tuner du téléviseur envoie les signaux brouillés au décodeur qui les décode avant de les reproduire à son tour.

7 **CAM (Module pour système à contrôle d'accès)**

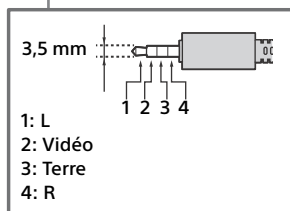
- Permet d'accéder à un service télévisuel payant. Pour plus de détails, reportez-vous au mode d'emploi fourni avec votre CAM.
- N'insérez pas la carte à puce directement dans l'emplacement CAM du téléviseur. Elle doit être insérée dans le module CAM (Module pour système à contrôle d'accès) fourni par votre revendeur agréé.

- CAM n'est pas pris en charge dans certains pays ou certaines régions. Vérifiez auprès de votre revendeur agréé.
- Il se peut qu'un message CAM s'affiche lorsque vous basculez vers un programme numérique après l'utilisation de la vidéo Internet.

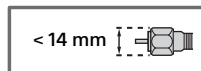
*1



*2



*3



*4 Prend en charge une prise stéréo mini à 3 pôles uniquement.

*5 Uniquement pour certaines régions, certains pays ou certains modèles de téléviseur.

Installation du téléviseur au mur

Ce mode d'emploi du téléviseur illustre seulement les étapes nécessaires à la préparation de son installation avant sa fixation au mur.

A l'attention des clients :

Pour protéger le produit et pour des raisons de sécurité, Sony conseille vivement de confier l'installation de votre téléviseur à des revendeurs ou des installateurs agréés Sony. N'essayez pas de l'installer vous-même.

A l'attention des revendeurs et installateurs Sony :

Soyez particulièrement attentif à la sécurité pendant l'installation, l'entretien périodique et l'examen du produit.

Une certaine expérience est requise pour installer ce produit, en particulier pour déterminer la résistance du mur qui devra supporter le poids du téléviseur. Veillez à confier la fixation de ce produit au mur à un revendeur Sony ou un installateur agréé et apportez une attention suffisante à la sécurité pendant l'installation. Sony n'est responsable d'aucun dégât ou blessure provoqué par une erreur de manipulation ou installation incorrecte.

Utilisez le support de fixation murale SU-WL450 (non fourni) (KD-65ZD9) pour installer le téléviseur au mur.

Lorsque vous installez le support de fixation mural, reportez-vous également au Mode d'emploi et au Guide d'installation fournis avec le support de fixation mural.

Remarque

- Les vis que vous retirez doivent être rangées en lieu sûr, hors de portée des enfants.

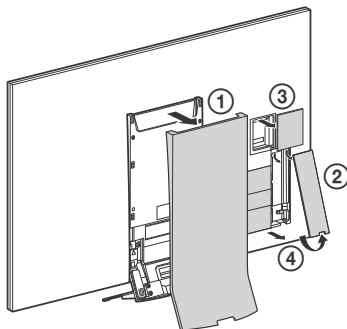


Pour connaître les instructions sur l'installation du support de fixation murale de votre modèle de téléviseur, reportez-vous au site Web suivant :

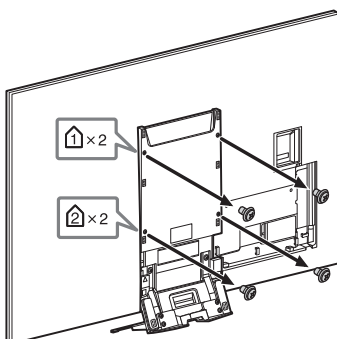
www.sony.eu/tv/wall-mount-bracket-manual

KD-65ZD9 uniquement

- 1 Retirez les capots latéral, intérieur, supérieur et central.



- 2 Retirez les vis à l'arrière du téléviseur.



KD-75ZD9 uniquement

Votre téléviseur peut être monté sur un support de fixation murale (non fourni) ne faisant pas partie de l'emballage.

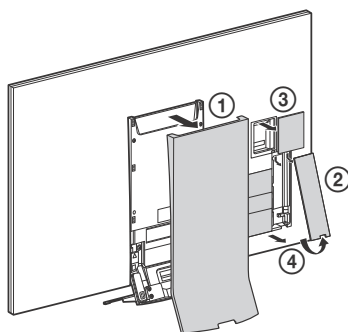
Préparez le téléviseur pour le support de fixation murale avant de raccorder les câbles.

Pour garantir la protection du produit et pour des raisons de sécurité, Sony recommande vivement de vous adresser à des techniciens qualifiés afin d'installer votre téléviseur au mur. N'essayez pas de l'installer vous-même.

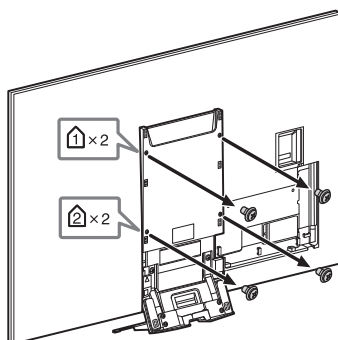
- Suivez les instructions fournies avec le support de fixation murale correspondant à votre modèle. Des connaissances suffisantes sont nécessaires pour installer ce téléviseur, notamment afin de déterminer la résistance du mur quant au poids du téléviseur.
- Conservez les vis non utilisées et le support de table en lieu sûr avant de pouvoir fixer le support de table. Tenez les vis hors de portée des jeunes enfants.

KD-75ZD9 uniquement

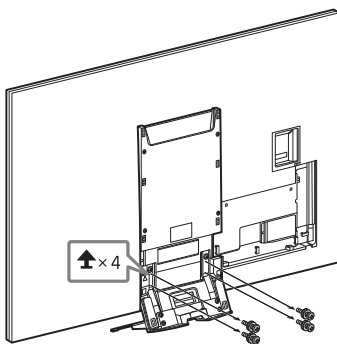
- 1 Retirez les capots latéral, intérieur, supérieur et central.



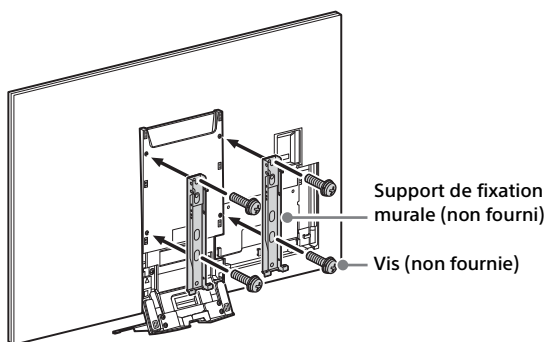
- 2 Retirez les vis à l'arrière du téléviseur.



3 Détachez le support de table du téléviseur.



4 Fixez le support de fixation murale (non fourni) à l'aide des vis (non fournies).

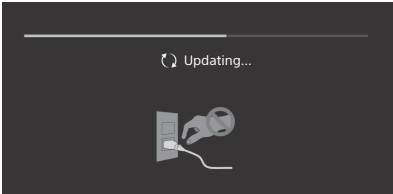


Remarque

- Si vous utilisez un tournevis électrique, réglez le couple à environ 1,5 N·m {15 kgf·cm}.

Dépannage

Pour que le logiciel de votre téléviseur reste à jour, vous devez télécharger la version la plus récente du logiciel par l'intermédiaire du système de télévision numérique ou Internet et procéder à la mise à jour. Sélectionnez [Mise à jour maint.] pour démarrer la mise à jour du logiciel. Le témoin DEL clignote en blanc pendant la mise à jour du logiciel. L'écran suivant avec [Updating...] (Mise à jour...) s'affiche pendant la mise à jour du logiciel.



Ne débranchez pas le cordon d'alimentation pendant la mise à jour du logiciel. En effet, la mise à jour du logiciel risquerait de ne pas être menée à son terme et cela pourrait altérer le bon fonctionnement du logiciel. Les mises à jour du logiciel peuvent prendre jusqu'à 30 minutes. Si vous ne souhaitez pas mettre automatiquement à jour le logiciel, appuyez sur **HOME** et sélectionnez [Aide] → [Mise à jour du logiciel du système] → [Téléchargement auto du logiciel] → [Non].

Lorsque vous branchez le téléviseur, ce dernier risque de ne pas pouvoir se mettre sous tension immédiatement même si vous appuyez sur la touche d'alimentation de la télécommande ou du téléviseur, car l'initialisation du système prend du temps. Patientez environ une minute, puis recommencez.

Lorsque vous mettez le téléviseur sous tension en appuyant sur la touche d'alimentation de la télécommande ou du téléviseur, l'éclairage DEL peut mettre un certain temps à s'allumer et la télécommande peut mettre un certain temps à être fonctionnelle.

Lorsque l'affichage LED clignote en rouge, comptez le nombre de clignotements (l'intervalle est de trois secondes).
Si l'éclairage DEL clignote en rouge, réinitialisez le téléviseur en débranchant le cordon d'alimentation secteur pendant deux minutes, puis remettez le téléviseur sous tension. Si le problème persiste, contactez votre revendeur ou votre Centre de Service Après-Vente Sony en indiquant le nombre de clignotements en rouge de l'LED d'éclairage (à intervalle de trois secondes). Débranchez le cordon d'alimentation et informez votre revendeur ou centre de service après-vente Sony.

Lorsque la LED d'éclairage ne clignote pas, vérifiez les éléments comme suit.
Vous pouvez également vous reporter à la section de dépannage du Guide d'aide ou exécuter un autodiagnostic en sélectionnant [Aide] → [Autodiagnostic]. Si le problème persiste, confiez votre téléviseur à un technicien qualifié.

Problèmes et solutions

Absence d'image (écran noir) et de son.

- Vérifiez le raccordement de l'antenne/câble.
- Raccordez le téléviseur au cordon secteur et appuyez sur \odot sur le téléviseur ou la télécommande.

Impossible de syntoniser certains programmes.

- Vérifiez le raccordement de l'antenne/câble.
- Le câble satellite est peut-être court-circuité ou il peut avoir des problèmes de connexion. Vérifiez le câble et la connexion puis éteignez le téléviseur avec l'interrupteur Oui/Non et allumez de nouveau.
- La fréquence que vous avez saisie est hors limites. Veuillez consulter le fournisseur de programme satellite.

Absence de services TV câblés (programmes).

- Vérifiez le raccordement des câbles ou la configuration du réglage.
- Essayez la [Recherche automatique des chaînes numériques] en sélectionnant [TNT] au lieu de [Câble].

La télécommande ne fonctionne pas.

- Remplacez les piles.

Le mot de passe du [Verrouillage parental (Mode de diffusion)] a été oublié.

- Saisissez 9999 comme code PIN. Mettez à jour le code PIN en sélectionnant [Paramètres] → [Verrouillage parental (Mode de diffusion)] → [Modifiez le code PIN].

La température augmente autour du téléviseur.

- Si vous utilisez le téléviseur pendant une période prolongée, la température augmente dans la zone qui l'entoure. Si vous le touchez, vous remarquerez peut-être qu'il est chaud.

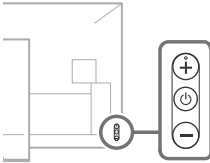
Audio ou vidéo gelé, écran noir ou le téléviseur ne répond pas quand les touches du téléviseur ou de la télécommande sont actionnées.

- Réinitialisez simplement le téléviseur en débranchant le cordon d'alimentation secteur pendant deux minutes, puis en le rebranchant.

Les touches , + et - ne peuvent pas être situées sur le téléviseur.

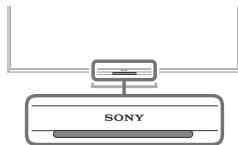
- Reportez-vous à l'illustration ci-dessous pour connaître l'emplacement des touches du téléviseur.

Arrière du téléviseur



L'affichage LED est allumé.


- Si vous ne souhaitez pas allumer l'affichage LED, vous pouvez l'éteindre. Appuyez sur **HOME**, puis sélectionnez [Paramètres] → [Affichage LED] → [Non].



Il est impossible de se connecter à un routeur sans fil avec le WPS (Wi-Fi Protected Setup).

- Si vous utilisez une sécurité WEP, sélectionnez [Simplifié] → [Wi-Fi] → [Connexion par liste de détection]. Ensuite, sélectionnez le nom du réseau (SSID) que vous souhaitez connecter.

Le nom du réseau requis dans la configuration du réseau est introuvable.

- Sélectionnez [[Saisie manuelle]] et appuyez sur  pour saisir le nom du réseau.

Spécifications

Norme

Type d'affichage

Ecran à cristaux liquides, Rétroéclairage LED

Norme de télévision

Selon le pays/la région sélectionnée/le modèle de téléviseur

Analogique : B/G, D/K, L, I

Numérique : DVB-T/DVB-C
DVB-T2*

Satellite* : DVB-S/DVB-S2

Standard couleur

PAL, SECAM, NTSC3.58 (Vidéo uniquement),

NTSC4.43 (Vidéo uniquement)

Canaux couverts

Selon le pays/la région sélectionnée/le modèle de téléviseur

Analogique : UHF/VHF/Câble

Numérique : UHF/VHF/Câble

Satellite* : Fréquence IF 950-2 150 MHz

Sortie son

10 W + 10 W

Technologie sans fil

Protocole IEEE802.11ac/a/b/g/n

(Il est possible que IEEE802.11ac ne soit pas disponible dans tous les pays/régions.)

Bluetooth Version 4.1

* Tous les téléviseurs ne sont pas dotés de la technologie DVB-T2 ou DVB-S/S2 ou d'une borne d'antenne satellite.

Prises d'entrée/sortie

Antenne/câble

Borne 75 ohms externe pour VHF/UHF

Antenne satellite

Connecteur femelle type-F, 75 ohm.

DiSEqC 1.0, LNB 13 V/18 V & 22 kHz tone, Diffusion par câble unique EN50494.

AV 1

Connecteur Péritel à 21 broches (norme CENELEC) comprenant entrée audio et vidéo, entrée RVB et sortie audio et vidéo TV.

AV 2

Entrée audio/vidéo (mini-prise)

HDMI IN 1, 2, 3, 4 (accepte une résolution de 4k, Compatible HDCP 2.2)

Vidéo (2D) :

4096 × 2160p (50, 60 Hz)*1, *2, 4096 × 2160p (24 Hz)*1, 3840 × 2160p (50, 60 Hz)*2, 3840 × 2160p (24, 25, 30 Hz), 1080p (30, 50, 60 Hz), 1080/24p, 1080i (50, 60 Hz), 720p (30, 50, 60 Hz), 720/24p, 576p, 576i, 480p, 480i, Formats PC

*1 3840 × 2160p est affiché en présence d'une entrée 4096 × 2160p

*2 HDMI IN 2 / 3 uniquement.

Vidéo (3D) (Modèles compatibles 3D uniquement) :

Mise en trame : 1080p (30Hz), 1080/24p, 1080i (50, 60Hz), 720p (30, 50, 60Hz), 720/24p

Côte à côte : 1080p (50, 60Hz), 1080/24p, 1080i (50, 60Hz), 720p (50, 60Hz)

Dessus-Dessous : 1080p (30, 50, 60Hz), 1080/24p, 1080i (50, 60Hz), 720p (50, 60Hz)

Audio : PCM linéaire 5,1 canaux : 32, 44,1, 48, 88,2, 96, 176,4 et 192 kHz, 16, 20 et 24 bits, Dolby Digital, Dolby Digital Plus et DTS ARC (Audio Return Channel) (HDMI IN 3 uniquement)

(PCM linéaire deux canaux, Dolby Digital, Dolby Digital Plus, DTS)

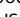
DIGITAL AUDIO OUT (OPTICAL)

Prise optique numérique (PCM linéaire deux canaux, Dolby Digital, DTS)

AUDIO OUT (mini-prise stéréo)

Casque, sortie audio, caisson de graves

1, 2, 3 (HDD REC)*1

Port pour périphérique USB ( 3 disques durs USB pour la fonction REC)

Les ports USB 1 et 2 prennent en charge High Speed USB (USB2.0).

Le port USB 3 prend en charge Super Speed USB (USB3.0).



Fente CAM (Module pour système à contrôle d'accès)

LAN

Connecteur 10BASE-T/100BASE-TX (La vitesse de connexion du réseau peut varier en fonction de l'environnement d'exploitation. Le débit et la qualité de la communication 10BASE-T/100BASE-TX ne sont pas garantis pour ce téléviseur.)

IR BLASTER *1

Entrée de câble IR Blaster (mini-prise)

Autres

Accessoires en option

- Support de fixation murale : SU-WL450 (KD-65ZD9 uniquement)
- Caisson de basses sans fil : SWF-BR100
- Lunettes 3D actives : TDG-BT500A



Températures de fonctionnement

0 °C – 40 °C

Humidité de fonctionnement

10 % – 80 % HR (sans condensation)

Puissance, fiche produit et autres

Tension d'alimentation

Caractéristiques nominales : Entrée 220 V - 240 V CA, 50 Hz

Classe d'efficacité énergétique

KD-75ZD9 : B
KD-65ZD9 : B

Taille d'écran (mesurée en diagonale) (Environ.)

KD-75ZD9 : 189,3 cm / 75 pouces
KD-65ZD9 : 163,9 cm / 65 pouces

Consommation électrique

en mode [Standard]

KD-75ZD9 : 259 W
KD-65ZD9 : 210 W

en mode [Intense]

KD-75ZD9 : 453 W
KD-65ZD9 : 347 W

Consommation électrique annuelle moyenne*2

KD-75ZD9 : 359 kWh
KD-65ZD9 : 291 kWh

Consommation électrique en veille*3*4

0,50 W (27 W en mode de mise à jour du logiciel/ EPG)

Résolution d'affichage

3 840 points (horizontal) × 2 160 lignes (vertical)

Puissance de sortie nominale

USB 1/2 : 5 V, ---, 500 mA MAX
USB 3 : 5 V, ---, 900 mA MAX

Dimensions (Environ.) (l × h × p)

Avec support de table

KD-75ZD9 : 168,4 × 104,7 × 27,8 cm
KD-65ZD9 : 146,2 × 92,0 × 26,8 cm

Sans support de table

KD-75ZD9 : 168,4 × 97,3 × 7,8 cm
KD-65ZD9 : 146,2 × 84,7 × 7,8 cm

Poids (Environ.)

Avec support de table

KD-75ZD9 : 45,1 kg
KD-65ZD9 : 35,7 kg

Sans support de table

KD-75ZD9 : 41,3 kg
KD-65ZD9 : 32 kg

- *1 Uniquement pour certaines régions, certains pays ou certains modèles de téléviseur.
- *2 Consommation électrique par an, en considérant que le poste reste allumé 4 heures par jour pendant 365 jours. La consommation réelle dépendra du mode d'utilisation du téléviseur.
- *3 La consommation spécifiée en mode de veille est atteinte une fois que le téléviseur a terminé tous les processus internes nécessaires.
- *4 La consommation électrique en veille augmentera lorsque votre téléviseur sera connecté au réseau.

Remarque


- Ne retirez pas la carte factice de la fente TV CAM (Module pour système à contrôle d'accès), sauf pour la remplacer par une carte à puce insérée dans le CAM.
- La disponibilité des accessoires en option varie selon les pays, les régions, les modèles de téléviseur et les stocks.
- La conception et les spécifications sont sujettes à modification sans préavis.

Notes sur la fonction TV numérique

- Les fonctions du Téléviseur numérique (DVB) ne sont opérationnelles que dans les pays ou les zones assurant la diffusion des signaux numériques terrestres DVB-T/ DVB-T2 (MPEG-2 et H.264/MPEG-4 AVC) ou dans les pays ou les zones couverts par un service de diffusion par câble DVB-C (MPEG-2 et H.264/MPEG-4 AVC) compatible. Vérifiez auprès de votre revendeur local que votre zone de résidence permet la réception du signal DVB-T/DVB-T2 ou renseignez-vous auprès de votre câblo-opérateur pour être sûr de la compatibilité du service DVB-C avec ce téléviseur.
- Il est possible que celui-ci vous facture des frais supplémentaires pour ce service et qu'il vous faille accepter ses conditions générales pour cette prestation.
- Ce téléviseur est conforme aux spécifications DVB-T/DVB-T2 et DVB-C mais sa compatibilité avec les futurs programmes numériques terrestres DVB-T/ DVB-T2 et par le câble DVB-C ne peut en aucun cas être garantie.
- Certaines fonctions du téléviseur numérique peuvent ne pas être disponibles dans tous les pays/régions et le service câblé DVB-C peut ne pas s'avérer totalement opérationnel avec certains opérateurs.

Informations sur les marques commerciales

- Les termes HDMI et High-Definition Multimedia Interface ainsi que le logo HDMI sont des marques commerciales ou des marques déposées de HDMI Licensing, LLC aux États-Unis et dans d'autres pays.
- Fabriqué sous licence de Dolby Laboratories. Dolby, Dolby Audio et le symbole double-D sont des marques de Dolby Laboratories.
- « BRAVIA » et BRAVIA sont des marques de Sony Corporation.
- Gracenote, Gracenote eyeQ, Gracenote Videoid, Gracenote Video Explore, le logo et le graphisme Gracenote ainsi que le logo « Powered by Gracenote » sont des marques commerciales ou des marques déposées de Gracenote aux États-Unis et/ ou dans d'autres pays.
- Opera® Devices SDK from Opera Software ASA. Copyright 1995-2015 Opera Software ASA. All rights reserved.
- Wi-Fi, Wi-Fi Direct, Miracast, Wi-Fi Protected Setup et le logo Wi-Fi CERTIFIED Logo sont des marques commerciales ou des marques déposées de Wi-Fi Alliance.
- Pour les brevets DTS, visitez <http://patents.dts.com>. Fabriqué sous licence de DTS, Inc. DTS, le symbole, & DTS et le symbole utilisés conjointement sont des marques déposées tandis que DTS Digital Surround est une marque commerciale de DTS, Inc. © DTS, Inc. Tous droits réservés.
- QuickSet et le logo QuickSet sont des marques commerciales de Universal Electronics Inc. Portions © UEI 2000-2015
- Les logos et le mot de marque Bluetooth® sont des marques déposées appartenant à Bluetooth SIG, Inc. et toute utilisation de ces marques par Sony Corporation est couverte par une licence. Les autres marques commerciales et noms de marque appartiennent à leurs propriétaires respectifs.

- DiSEqC™ est une marque déposée de EUTELSAT.
Ce téléviseur prend en charge DiSEqC 1.0.
Ce téléviseur n'est pas destiné à commander des antennes à moteur.
- TUXERA est une marque déposée de Tuxera Inc. aux États-Unis et dans d'autres pays.
- Le logo USB-IF SuperSpeed USB Trident est une marque déposée de USB Implementers Forum, Inc. 

Índice

AVISO IMPORTANTE	2
Información de seguridad	3
Precauciones	5
Componentes y controles	7
Controles e indicadores	7
Uso del mando a distancia	8
Descripción de las partes del mando a distancia	8
Diagrama de conexiones	10
Instalación del televisor en una pared	12
Sólo KD-75ZD9	14
Solución de problemas	16
Problemas y soluciones	16
Especificaciones	17

Introducción

Gracias por elegir este producto Sony. Antes de utilizar el televisor, lea este manual atentamente y consérvelo para consultarlo en el futuro.

Nota

- Antes de utilizar el televisor, lea el apartado "Información de seguridad" (página 3).
- Las imágenes y las ilustraciones utilizadas en la Guía de configuración y este manual son solo ejemplos y pueden no coincidir con el producto real.

Ubicación de la Guía de configuración

La Guía de configuración se encuentra sobre el relleno de protección del interior de la caja del televisor.

Guía de ayuda

La función Ayuda ofrece mucha información sobre su TV. Para utilizar la función Ayuda, pulse **HELP** en el control remoto. Puede saber cómo encontrar y dar soluciones de la lista o búsqueda por voz o palabras clave. Seleccione [Guía de ayuda] del menú Ayuda para ver el manual. Si conecta su TV a Internet, la función Ayuda e información se actualizará.

Ubicación de la etiqueta identificativa

Las etiquetas correspondientes al Número de modelo, a la Fecha de producción (año/mes) y al voltaje de la Fuente de alimentación se encuentran situadas en la parte posterior del televisor o el embalaje. Pueden consultarse desmontando la tapa central.

ADVERTENCIA

PARA EVITAR LA PROPAGACIÓN DE FUEGO, MANTENGA LAS VELAS U OTRAS LLAMAS SIEMPRE ALEJADAS DE ESTE PRODUCTO.



AVISO IMPORTANTE

Este producto ha sido fabricado por, o en nombre de Sony Corporation, 1-7-1 Konan Minato-ku Tokyo, 108-0075 Japón. Las consultas relacionadas con la conformidad del producto basadas en la legislación de la Unión Europea deben dirigirse al representante autorizado, Sony Belgium, bijkantoor van Sony Europe Limited, Da Vincilaan 7-D1, 1935 Zaventem, Bélgica. Para cualquier asunto relacionado con el servicio o la garantía, por favor diríjase a la dirección indicada en los documentos de servicio o garantía adjuntados con el producto.

Nota sobre la señal inalámbrica

Por medio de la presente, Sony Corporation declara que esta unidad cumple con los requisitos esenciales y cualesquiera otras disposiciones aplicables y exigibles de la Directiva 1999/5/CE.

Para mayor información, por favor consulte el siguiente URL: <http://www.compliance.sony.de/>

Aviso para los clientes: la siguiente información solamente es aplicable a los equipos comercializados en los países que cumplan las directivas de la UE.



El sistema inalámbrico de televisión puede utilizarse en los siguientes países:

AT, BE, HR, CY, CZ, DK, EE, FI, FR, DE, GR, HU, IE, IT, LV, LT, LU, MT, NL, PL, PT, SK, SI, ES, SE, GB, IS, LI, NO, CH, BG, RO, TR, AL, BA, MK, MD, RS, ME, Kosovo

Este producto puede utilizarse en otros países no europeos.

Información de seguridad

AVISO

No exponga las pilas a un calor excesivo, como la luz solar directa o una llama.

No coloque nunca un televisor en una ubicación inestable. Un televisor se puede caer provocando lesiones personales graves o la muerte. Muchas lesiones, particularmente en los niños, pueden ser evitadas tomando simples precauciones como:

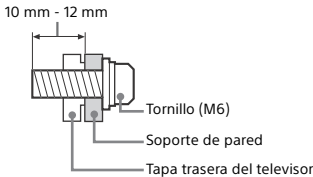
- Utilizar armarios o soportes recomendados por el fabricante del televisor.
 - Sólo utilizar muebles que puedan soportar con seguridad el televisor.
 - Asegurando que el televisor no esté sobresaliendo de la esquina del mueble que lo sostiene.
 - No colocando un televisor encima de un mueble alto (por ejemplo, armarios o estanterías) sin fijar tanto el mueble como el televisor a un soporte adecuado.
 - No colocando un televisor sobre un paño u otros materiales que puedan estar ubicados entre el televisor y el mueble de soporte.
 - Educando a los niños sobre los peligros de subirse a los muebles para alcanzar el televisor o sus controles.
- Si tu televisor está guardado y se reubica, se han de tener en cuenta las mismas consideraciones citadas anteriormente.

Instalación/configuración

Instale y utilice el televisor siguiendo las instrucciones que se indican a continuación para evitar el riesgo de incendios, descargas eléctricas u otros daños y/o lesiones.

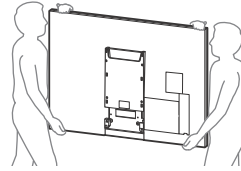
Instalación

- Debe instalar el televisor cerca de una toma de corriente de fácil acceso.
 - Coloque el televisor sobre una superficie nivelada y estable para evitar que pueda caerse y provocar daños personales o materiales.
 - Instale el televisor en lugares donde no pueda caerse ni sufrir golpes.
 - La instalación en pared solo puede ser realizada por personal cualificado.
 - Por razones de seguridad, se recomienda utilizar accesorios Sony como:
 - Soporte de pared
 - SU-WL450 (Sólo KD-65ZD9)
 - Asegúrese de utilizar los tornillos suministrados con el soporte de pared al fijar el soporte de pared al televisor. Los tornillos suministrados han sido diseñados tal y como indica la ilustración si se miden desde la superficie de colocación del soporte de pared.
- El diámetro y longitud de los tornillos varía en función del modelo de soporte de pared.
- Si utiliza otros tornillos, puede provocar un daño interno en el televisor o éste puede caerse, etc.



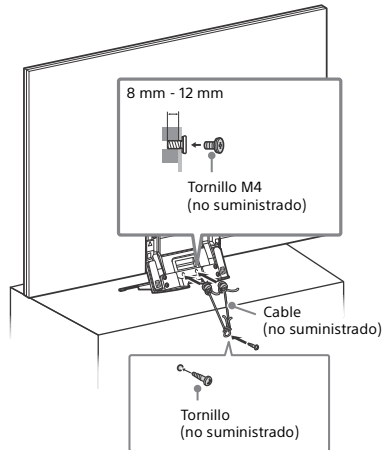
Transporte

- Desconecte todos los cables antes de transportar el televisor.
- Se necesitan dos o tres personas para transportar un televisor grande.
- Al transportar el televisor manualmente, sujételo de la forma descrita a continuación. No ejerza presión sobre la pantalla LCD ni el marco que la rodea.



- Durante el transporte, no someta el televisor a sacudidas o vibraciones excesivas.
- Cuando transporte el televisor para repararlo o cuando lo cambie de sitio, embálelo con la caja y el material de embalaje originales.

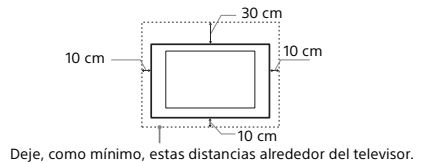
Prevención de volcado



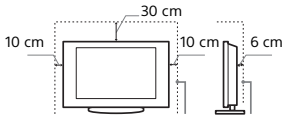
Ventilación

- Nunca obstruya, cubra ni inserte nada en los orificios de ventilación del aparato.
- Deje espacio alrededor del televisor, tal y como se muestra a continuación.
- Se recomienda utilizar el soporte de pared de Sony para que el aire circule correctamente.

Instalación en la pared



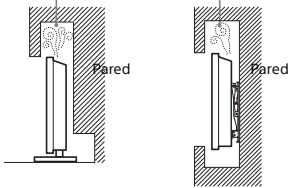
Instalación sobre pedestal



Deje, como mínimo, estas distancias alrededor del televisor.

- Para garantizar una ventilación apropiada y evitar la acumulación de suciedad o polvo:
 - No instale el televisor boca arriba, boca abajo, hacia atrás ni de lado.
 - No instale el televisor en un estante, sobre una alfombra, sobre una cama o dentro de un armario.
 - No cubra el televisor con tejidos como cortinas, ni otros objetos como periódicos, etc.
 - No instale el televisor como se muestra a continuación.

La circulación de aire queda obstruida.



Cable de alimentación

Utilice el cable y el enchufe tal y como se indica a continuación para evitar el riesgo de incendios, descargas eléctricas u otros daños y/o lesiones:

- Utilice únicamente cables de alimentación suministrados por Sony. No utilice cables de otros proveedores.
- Inserte el enchufe totalmente en la toma de corriente.
- Este televisor sólo funciona con alimentación de 220 V - 240 V.
- Cuando conecte los cables, no olvide desenchufar el cable de alimentación por razones de seguridad y evite tropezar o enredarse con los cables.
- Desenchufe el cable de alimentación antes de manipular o desplazar el televisor.
- Mantenga el cable de alimentación alejado de fuentes de calor.
- Desconecte el enchufe y límpielo regularmente. Si se acumula polvo o humedad en el enchufe, puede deteriorarse el aislamiento y producirse un incendio.

Nota

- No utilice el cable de alimentación suministrado con otros equipos.
- No apriete, doble ni retuerza excesivamente el cable de alimentación. Los conductores internos podrían quedar al descubierto o romperse.
- No modifique el cable de alimentación.
- No coloque ningún objeto pesado encima del cable de alimentación.
- No tire del cable para desconectarlo.
- No conecte demasiados aparatos a la misma toma de corriente.
- No utilice una toma de corriente de mala calidad.

Uso prohibido

No instale/utilice el televisor en lugares, entornos o situaciones como las descritas a continuación ya que el televisor podría funcionar mal y provocar un incendio, una descarga eléctrica u otros daños y/o lesiones.

Lugares:

- Espacios exteriores (con luz solar directa), en la costa, en una embarcación, dentro de un vehículo, en centros sanitarios, ubicaciones inestables, cerca del agua, la lluvia, humedad o humo.

Entornos:

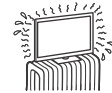
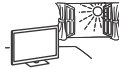
- Lugares cálidos, húmedos o con excesivo polvo; lugares en los que puedan entrar insectos; lugares expuestos a vibraciones mecánicas, o lugares próximos a objetos inflamables (velas, etc.). No exponga el televisor a goteos ni salpicaduras ni coloque sobre el aparato ningún objeto lleno de líquido como los floreros.

Situaciones:

- Uso con las manos mojadas, si se ha extraído la carcasa o con accesorios no recomendados por el fabricante. Desconecte el televisor del cable de alimentación y de la antena durante las tormentas eléctricas.
- Instalar el televisor de manera que sobresalga hacia un espacio abierto. Podrían producirse lesiones o daños a las personas u objetos que pudieran impactar con el televisor.



- Colocar el televisor en un espacio húmedo o polvoriento o en una habitación expuesta a humos o vapores grasientos (cerca de cocinas o humidificadores). Podría producirse un incendio, una descarga eléctrica o una deformación del aparato.
- Instalar el televisor en lugares sometidos a temperaturas extremas como bajo la luz solar directa, cerca de un radiador o de una rejilla de ventilación. El televisor podría calentarse en tales condiciones, lo que podría causar una deformación de la carcasa o un fallo de funcionamiento del televisor.



- Si el televisor se coloca en los vestuarios de unos baños públicos o de un balneario, es posible que sufra daños a causa del azufre suspendido en el aire, etc.
- Para una mejor calidad de imagen, no exponga la pantalla directamente a fuentes de iluminación o a la luz del sol.
- Evite trasladar el televisor de una zona fría a una cálida. Los cambios repentinos de habitación podrían ocasionar condensación de humedad. Esto podría ocasionar que el televisor mostrara imágenes de poca calidad o con un color deficiente. Si esto ocurre, deje que la humedad se evapore por completo antes de encender el televisor.



Piezas rotas:

- No arroje ningún objeto contra el televisor. El cristal de la pantalla podría romperse debido al impacto y causar lesiones graves.
- Si la superficie del televisor se agrieta o se rompe, no la toque sin antes desconectar el cable de alimentación. De lo contrario podría producirse una descarga eléctrica.

Cuando no se utilice

- Si no va a utilizar el televisor durante varios días, desconecte el cable por razones medioambientales y de seguridad.
- El televisor no se desconecta de la toma de corriente cuando se apaga. Desenchúfelo para que quede totalmente desconectado.
- Algunos televisores pueden disponer de funciones que precisen dejarlos en espera para funcionar correctamente.

Niños

- No deje que los niños suban al televisor.
- Mantenga los accesorios pequeños fuera del alcance de los niños para que no los traguen.

Si ocurren los siguientes problemas...

Apaque el televisor y desenchúfelo inmediatamente si ocurre cualquiera de los siguientes problemas. Pida a su distribuidor o al servicio técnico de Sony que le revise el televisor.

Quando:

- El cable de alimentación está dañado.
- La toma de corriente es de mala calidad.
- El televisor está dañado porque se ha caído, ha sido golpeado o le ha sido arrojado algún objeto.
- Alguna sustancia líquida o sólida cae dentro del televisor.

Acerca de temperatura del TV LCD

Si el TV LCD se utiliza durante un tiempo prolongado, los alrededores del panel se calientan. Si toca esa zona con la mano, podrá notar el calor.

Precauciones

Ver la televisión

- Vea la televisión en una habitación con suficiente iluminación, ya que, si lo hace con poca luz o durante mucho tiempo, somete la vista a un sobreesfuerzo.
- Cuando utilice auriculares, ajuste el volumen de forma que se eviten niveles excesivos, ya que podría sufrir daños en los oídos.

(Solo modelos compatibles con 3D)

- Es posible que algunas personas sufran molestias (como vista cansada, fatiga o náuseas) al ver imágenes de vídeo en 3D o jugar a juegos estereoscópicos en 3D. Sony recomienda a todos los usuarios realizar pausas a menudo cuando visualicen imágenes de vídeo en 3D o jueguen a juegos estereoscópicos en 3D. La duración y la frecuencia de las pausas dependerán de cada persona. Por lo tanto, debe valorar qué resulta más adecuado en su caso concreto. Si nota cualquier molestia, debería dejar de ver imágenes de vídeo en 3D y de jugar a juegos estereoscópicos en 3D hasta que desaparezcan dichas molestias; consulte con un médico si lo considera necesario. Asimismo, debe consultar (i) el manual de instrucciones de cualquier otro dispositivo o soporte que utilice con el televisor y (ii) el sitio web (www.sony.eu/support), en el que encontrará la información más actualizada. Los niños (especialmente si tienen menos de seis años) tienen la vista en fase de desarrollo. Consulte con un médico (un pediatra o un oculista) antes de dejar que los niños vean imágenes de vídeo en 3D o jueguen a juegos estereoscópicos en 3D. Los adultos deben controlar a los menores para garantizar que siguen estas recomendaciones.
- No utilice, guarde ni deje las gafas 3D o la pila cerca de un fuego o de lugares con temperaturas elevadas, por ejemplo: bajo la luz solar directa o en coches expuestos al sol.

Pantalla LCD

- Aunque la pantalla LCD ha sido fabricada con tecnología de alta precisión y posee píxeles con una eficacia del 99,99 % o superior, pueden aparecer de forma constante unos puntos negros o puntos brillantes de luz (rojos, azules o verdes). No se trata de un fallo de funcionamiento, sino de una característica de la estructura de la pantalla de cristal líquido.
- No presione ni raye el filtro frontal, ni coloque objetos encima del televisor, ya que la imagen podría resultar irregular o la pantalla de cristal líquido podría dañarse.
- Si se utiliza el televisor en un lugar frío, es posible que la imagen se oscurezca o que aparezca una mancha en la pantalla. Esto no significa que el televisor se ha estropeado. Este fenómeno irá desapareciendo a medida que aumente la temperatura.
- Si se visualizan imágenes fijas continuamente, es posible que se produzca un efecto de imagen fantasma que puede desaparecer transcurridos unos segundos.
- Cuando se utiliza el televisor, la pantalla y la carcasa se calientan. No se trata de un fallo de funcionamiento.
- La pantalla LCD contiene una pequeña cantidad de cristal líquido. Siga la normativa local para deshacerse de él.

Tratamiento y limpieza de la superficie de la pantalla y la carcasa del televisor

Desenchufe el cable de alimentación conectado al televisor antes de limpiarlo.

Para evitar la degradación del material o del acabado de la pantalla, tenga en cuenta las siguientes precauciones.

- Para eliminar el polvo de la superficie de la pantalla y la carcasa, pase cuidadosamente un paño suave. Si no consigue eliminar completamente el polvo, humedezca ligeramente el paño con una solución de detergente neutro poco concentrada.
- Nunca pulverice agua o detergente directamente en el televisor. El líquido podría gotear hasta la parte inferior de la pantalla o en zonas externas y penetrar en el televisor, con el consiguiente riesgo de daños en el aparato.
- No utilice nunca estropajos abrasivos, productos de limpieza ácidos o alcalinos, detergente concentrado ni disolventes volátiles, como alcohol, bencina, diluyente o insecticida. Si utiliza este tipo de materiales o expone la unidad a un contacto prolongado con materiales de goma o vinilo, puede dañar el material de la superficie de la pantalla y de la carcasa.
- No toque el televisor con las manos si estuvieran impregnadas con productos químicos como cremas de manos o de filtro solar.
- Se recomienda pasar la aspiradora periódicamente por los orificios de ventilación para que el televisor se ventile adecuadamente.
- Si necesita ajustar el ángulo del televisor, desplácelo lentamente para evitar que se desencaje del soporte.

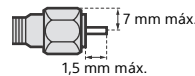


Equipos opcionales

- Sitúe los equipos opcionales o cualquier equipo que emita radiaciones electromagnéticas lejos del televisor. De lo contrario, la imagen puede aparecer distorsionada y/o pueden emitirse ruidos.
- El equipo ha sido probado y cumple los límites establecidos por la directiva EMC utilizando un cable de conexión de señal de una longitud inferior a 3 metros.

Recomendación sobre el conector de tipo F

El cable interno solo puede sobresalir 1,5 mm desde la parte de conexión.



(Ilustración de referencia del conector de tipo F)

Función inalámbrica de la unidad

- No utilice esta unidad cerca de aparatos médicos (marcapasos, etc.), ya que podrían provocar un funcionamiento incorrecto del aparato médico.
- Aunque la unidad transmite o recibe señales aleatorias, preste atención a las posibles intercepciones no autorizadas. No nos responsabilizamos de ningún problema relacionado con este aspecto.

Precauciones acerca del manejo del mando a distancia

- Coloque las pilas con la polaridad correcta.
- No utilice pilas de distintos tipos ni mezcle pilas nuevas con viejas.
- Sea respetuoso con el medio ambiente y deseche las pilas en los contenedores dispuestos para este fin. En ciertas regiones, la eliminación de las pilas está regulada. Consúltelo con las autoridades locales.
- Use el mando a distancia con cuidado. No lo deje caer ni lo pise, ni tampoco derrame sobre él ningún tipo de líquido.
- No deje el mando a distancia cerca de una fuente de calor, en un lugar expuesto a la luz solar directa ni en una habitación húmeda.

Cómo deshacerse del televisor



Tratamiento de los equipos eléctricos y electrónicos al final de su vida útil (aplicable en la Unión Europea y en países europeos con sistemas de tratamiento selectivo de residuos)

Este símbolo en el equipo o en su embalaje indica que el presente producto no puede ser tratado como un residuo doméstico normal. Debe entregarse en el correspondiente punto de recogida de equipos eléctricos y electrónicos. Al asegurarse de que este producto se desecha correctamente, usted ayuda a prevenir las consecuencias potencialmente negativas para el medio ambiente y la salud humana que podrían derivarse de la incorrecta manipulación en el momento de deshacerse de este producto. El reciclaje de materiales ayuda a conservar los recursos naturales. Para recibir información detallada sobre el reciclaje de este producto, póngase en contacto con el ayuntamiento, el punto de recogida más cercano o el establecimiento donde ha adquirido el producto.



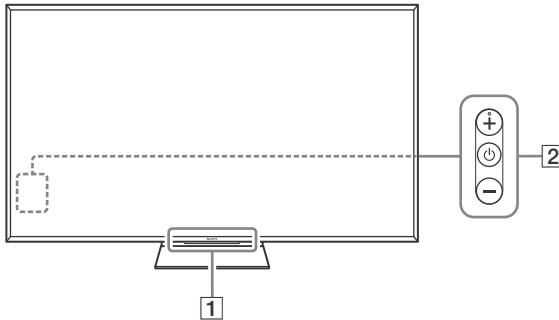
Tratamiento de las baterías al final de su vida útil (aplicable en la Unión Europea y en países europeos con sistemas de tratamiento selectivo de residuos)

Este símbolo en la batería o en el embalaje indica que la batería proporcionada con este producto no puede ser tratada como un residuo doméstico normal. En algunas baterías este símbolo puede utilizarse en combinación con un símbolo químico. El símbolo químico del mercurio (Hg) o del plomo (Pb) se añadirá si la batería contiene más del 0,0005 % de mercurio o del 0,004 % de plomo. Al asegurarse de que estas baterías se desechan correctamente, usted ayuda a prevenir las consecuencias potencialmente negativas para el medio ambiente y la salud humana que podrían derivarse de la incorrecta manipulación en el momento de deshacerse de la batería. El reciclaje de materiales ayuda a conservar los recursos naturales. En el caso de productos que por razones de seguridad, rendimiento o mantenimiento de datos sea necesaria una conexión permanente con la batería incorporada, esta batería solo deberá ser reemplazada por personal técnico cualificado para ello. Para asegurarse de que la batería será tratada correctamente, entregue el producto al final de su vida útil en un punto de recogida para el reciclado de aparatos eléctricos y electrónicos. Para las demás baterías, consulte la sección donde se indica cómo extraer la batería del producto de forma segura. Deposite la batería en el correspondiente punto de recogida para el reciclado de baterías. Para recibir información detallada sobre el reciclaje de este producto o de la batería, póngase en contacto con el ayuntamiento, el punto de recogida más cercano o el establecimiento donde ha adquirido el producto.

Componentes y controles

ES

Controles e indicadores

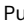


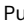
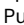
1 Sensor de mando a distancia*1 / Sensor de luz*1 / LED de iluminación / Transmisor de sincronización 3D*1*2

El LED de iluminación se enciende o parpadea según el estado del televisor.

- Blanco
Al encender el televisor/modo sin imagen/actualización del software, etc.
- Cian
Al establecer la conexión con un dispositivo móvil de forma inalámbrica.
- Rosa*2
Modo grabación.
- Naranja
Temporizador programado.

2 (Alimentación) / + / -

Cuando el TV está apagado,
Pulse  para encender.

Cuando el TV está encendido,
Pulse durante unos segundos  para apagar.
Pulse  varias veces para cambiar la función y, a continuación, pulse el botón + o - para:

- Ajustar el volumen
- Seleccionar el canal
- Seleccionar la fuente de entrada del TV

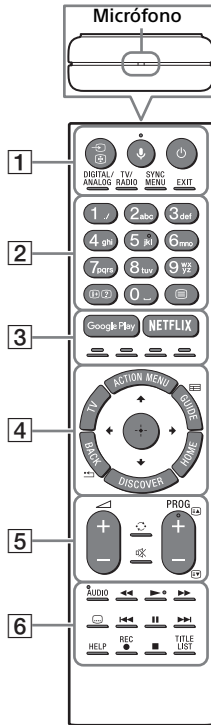
*1 No coloque nada cerca del sensor.

*2 Solo en algunos países/regiones/modelos de televisor.

Uso del mando a distancia

Descripción de las partes del mando a distancia

La forma del mando a distancia, la posición, la disponibilidad y la función del botón del mando a distancia pueden variar en función del país, la región o el modelo de televisor.



- 1** (Selección de la entrada/
bloqueo de página)
En el modo televisión: Permite ver y seleccionar la fuente de entrada.
En el modo texto: Permite retener la página actual.

(Micrófono)

Utilice la función de voz. (Por ejemplo, puede buscar distintos contenidos a través de comandos de voz.)

(Modo en espera del televisor)

Permite encender o apagar el televisor (modo en espera).

DIGITAL/ANALOG

Permite alternar entre el modo digital y analógico.

TV/RADIO

Permite alternar entre las emisiones de TV y RADIO.

SYNC MENU

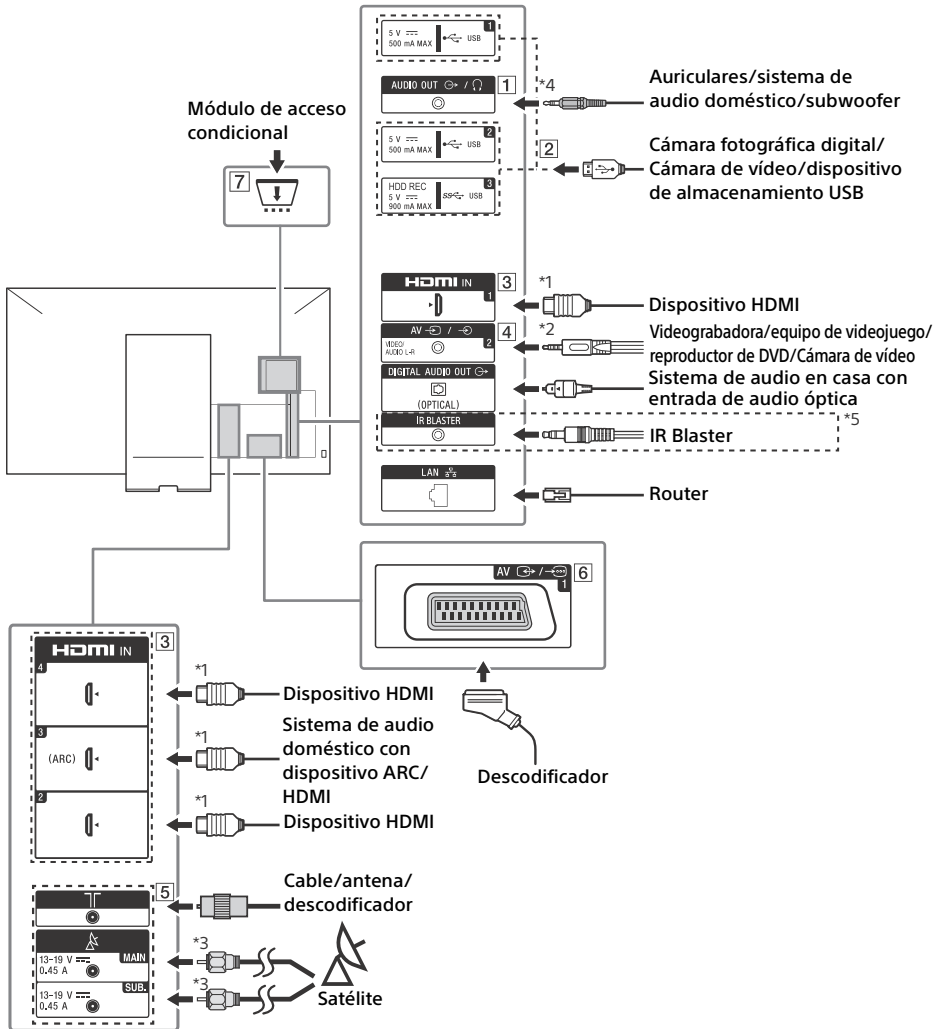
Permite acceder al menú de BRAVIA Sync.

EXIT

Permite volver a la pantalla anterior o salir del menú. Cuando esté disponible un servicio de aplicaciones interactivas, púlselo para salir del servicio.

Diagrama de conexiones

Para obtener más información sobre las conexiones, consulte la Guía de ayuda (página 2).



1 AUDIO OUT *4

- Para escuchar el sonido del televisor a través del equipo conectado, pulse **HOME**. Seleccione [Ajustes] → [Sonido] → [Auriculares/Salida de audio] y, a continuación, seleccione la opción deseada.

2 **USB 1/2, USB 3 (HDD REC)*5**

- La conexión de un dispositivo USB grande puede interferir con otros dispositivos conectados que tenga al lado.
- Cuando tenga que conectar un dispositivo USB grande, conéctelo al USB puerto 1.

3 HDMI IN 1/2/3/4

- Si conecta un sistema de audio digital que sea compatible con la tecnología Canal de Retorno de Audio (ARC), utilice HDMI IN 3. Si no lo es, será necesaria una conexión adicional con DIGITAL AUDIO OUT (OPTICAL).

4 **AV 2**

- Para una conexión compuesta, use el cable*5 de extensión analógico suministrado.

5 **(Entrada RF), (Entrada de satélite)**

- Conexiones para televisión terrestre/cable y satélite. Pasos para la conexión: MAIN → Antena → SUB.
- Para el conector SUB., conéctelo solo cuando utilice el modo de sintonizador doble excepto para Distribución de cable único EN50494.

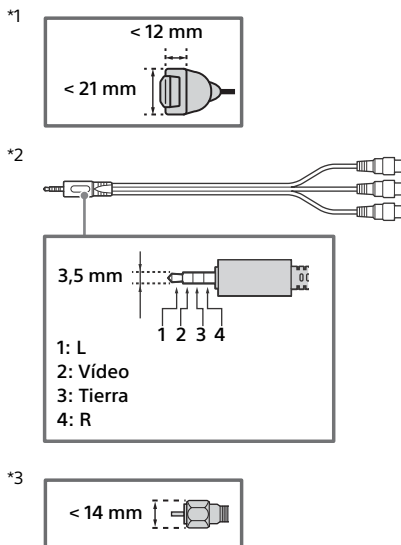
6 **AV 1**

- Conecte un cable SCART. Al conectar un descodificador analógico, el sintonizador del televisor envía señales encriptadas al descodificador, y el descodificador las descripta antes de enviarlas.

7 **CAM (Módulo de acceso condicional)**

- Permite acceder a servicios de televisión de pago. Para obtener más información, consulte el manual de instrucciones suministrado con su CAM.
- No inserte la tarjeta inteligente directamente en la ranura CAM del televisor. Debe colocarse en el módulo de acceso condicional proporcionado por su distribuidor autorizado.

- No es posible utilizar la tecnología CAM en algunos países y zonas. Consúltelo a su distribuidor autorizado.
- Es posible que aparezca un mensaje del CAM al acceder a un programa digital después de utilizar el vídeo por Internet.



*4 Soporta solo mini conector estéreo de 3 polos.

*5 Solo en algunos países/regiones/modelos de televisor.

Instalación del televisor en una pared

El manual de instrucciones de este televisor solo muestra los pasos para preparar la instalación del televisor antes del montaje en la pared.

Para los clientes:

Por motivos de protección del producto y de seguridad, Sony recomienda dejar la instalación del televisor en manos de distribuidores Sony o proveedores autorizados. Nunca intente realizar la instalación sin ayuda.

Para proveedores y distribuidores Sony:

Preste especial atención a la seguridad durante la instalación, el mantenimiento periódico y las revisiones de este producto.

Para instalar este producto, es necesario disponer de conocimientos suficientes, especialmente para determinar si la pared es lo bastante resistente para aguantar el peso del televisor. Deje siempre la instalación de este producto en la pared en manos de distribuidores Sony o proveedores autorizados y preste especial atención a la seguridad durante la instalación. Sony no se hace responsable de daños o lesiones provocados por una manipulación o una instalación incorrectas.

Utilice el soporte de pared SU-WL450 (no suministrado) (KD-65ZD9) para instalar el televisor en la pared.

Al instalar el Soporte de pared, consulte también el Manual de instrucciones y la Guía de instalación suministrados con el Soporte de pared.

Nota

- Guarde los tornillos retirados en un lugar seguro y lejos del alcance de los niños.

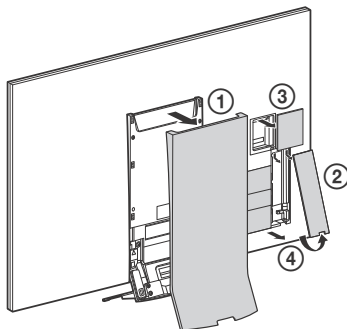


Para consultar las instrucciones sobre la instalación del soporte de pared para su modelo de televisor, consulte el siguiente sitio web:

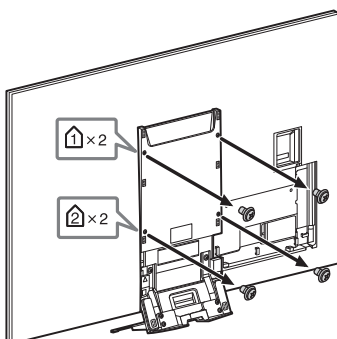
www.sony.eu/tv/wall-mount-bracket-manual

Sólo KD-65ZD9

1 Retire las tapas lateral, interior, superior y central.



2 Retire los tornillos de la parte trasera del televisor.



Sólo KD-75ZD9

El televisor puede montarse en un soporte de pared (no suministrado) nada más sacarse de la caja.

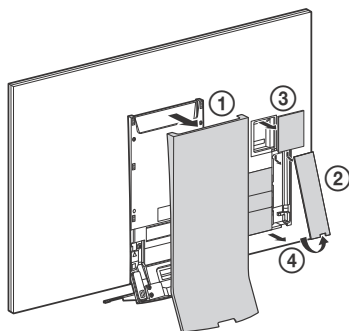
Prepare el televisor para el soporte de pared antes de conectar los cables.

Por motivos de protección del producto y de seguridad, Sony recomienda dejar la instalación del televisor en la pared en manos de profesionales cualificados. No intente instalarlo sin ayuda.

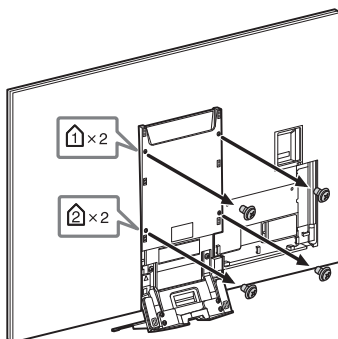
- Siga las instrucciones suministradas con el soporte de pared correspondientes a su modelo.
Es necesario disponer de conocimientos suficientes para instalar el televisor, especialmente a la hora de determinar la resistencia necesaria de la pared para aguantar el peso del televisor.
- Guarde los tornillos que no utilice y el soporte de sobremesa en un lugar seguro hasta que esté a punto para montar el soporte de sobremesa. Mantenga los tornillos lejos del alcance de los niños.

Sólo KD-75ZD9

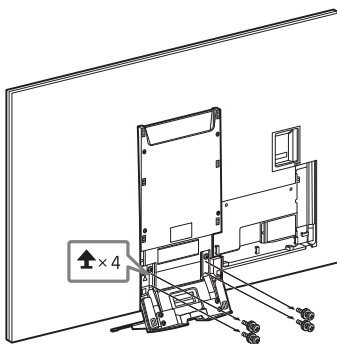
- 1 Retire las tapas lateral, interior, superior y central.



- 2 Retire los tornillos de la parte trasera del televisor.

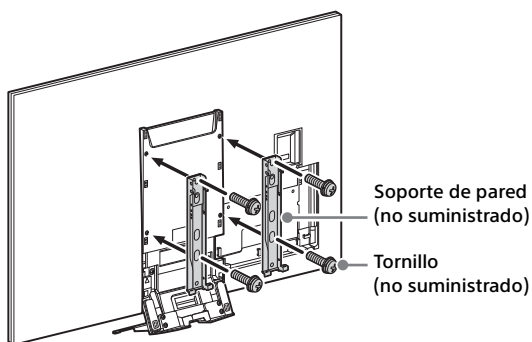


3 Desmonte el soporte de sobremesa del televisor.



ES

4 Coloque el soporte de pared (no suministrado) utilizando sus tornillos (no suministrados).



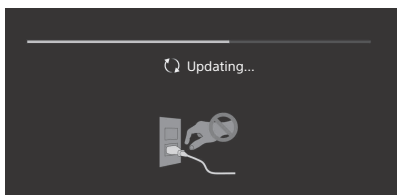
Nota

- Si utiliza un destornillador eléctrico, ponga la torsion a aproximadamente 1,5 N·m {15 kgf·cm}.

Solución de problemas

Para tener el software del televisor actualizado, es necesario descargar la versión más reciente del software a través del sistema de difusión digital o de Internet y actualizar el software. Seleccione [Actualizar ahora] para iniciar una actualización de software. El LED de iluminación parpadea en blanco mientras se actualiza el software.

Durante la actualización del software se mostrará la pantalla siguiente [Updating...] (Actualizando...).



No desconecte el cable de alimentación de CA durante la actualización del software. De lo contrario, es posible que la actualización no se instale correctamente y el software puede funcionar mal. Las actualizaciones de software pueden durar hasta 30 minutos. Si no desea actualizar el software automáticamente, pulse **HOME** y seleccione [Ayuda] → [Actualización del sistema de software] → [Descarga de software automática] → [No].

Al conectar el televisor, es posible que el televisor no se encienda aunque pulse el botón de encendido del mando a distancia o del televisor, ya que el sistema tarda un tiempo en inicializarse. Espere aproximadamente un minuto y vuelva a intentarlo.

Al encender el televisor pulsando el botón de encendido del mando a distancia o del televisor, el LED de iluminación tarda un poco en encenderse y tienen que pasar unos instantes para que el mando a distancia este operativo.

Cuando el LED de iluminación parpadea de color rojo, cuente cuántas veces parpadea (el intervalo de tiempo es de tres segundos).

Si el LED de iluminación parpadea de color rojo, reinicie el televisor desconectándolo de la corriente durante dos minutos y vuelva a encenderlo.

Si el problema continúa, póngase en contacto con su distribuidor o con su Centro de servicio técnico de Sony e indique cuántas veces parpadea en rojo el LED de iluminación (el intervalo es de tres segundos). Desconecte el cable de alimentación e informe a su distribuidor o su centro de asistencia Sony.

Cuando el LED de iluminación no parpadea, compruebe los elementos de las tablas que se indican a continuación.

También puede consultar Solución de problemas en la Guía de ayuda o realizar un autodiagnóstico seleccionando [Ayuda] → [Autodiagnóstico]. Si el problema continúa, lleve el televisor a un técnico cualificado para que lo revise.

Problemas y soluciones

Ausencia de imagen (la pantalla aparece oscura) y de sonido.

- Revise la conexión de la antena/cable.
- Conecte el televisor a la corriente y pulse **⏻** en el televisor o en el mando a distancia.

No se puede sintonizar determinados programas.

- Revise la conexión de la antena/cable.
- Es posible que haya un cortocircuito en el cable de satélite o que presente problemas de conexión. Compruebe la conexión con el cable y apague el televisor mediante el interruptor de encendido/apagado. A continuación, vuelva a encenderlo.
- La frecuencia introducida se sale del intervalo admitido. Consulte con la empresa responsable de la emisión por satélite.

No se encuentran servicios (programas) de televisión por cable.

- Compruebe la conexión del cable o la configuración de sintonización.
- Intente realizar la [Sintonía automática digital] seleccionando [Antena] en lugar de [Cable].

El mando a distancia no funciona.

- Cambie las pilas.

Ha olvidado la contraseña de [Bloqueo parental (emisión)].

- Introduzca 9999 como código PIN. Para actualizar el código PIN, seleccione [Ajustes] → [Bloqueo parental (emisión)] → [Cambiar el código PIN].

La carcasa del televisor se calienta.

- Cuando se utiliza el televisor durante un largo período de tiempo, la carcasa del televisor se calienta.
Es posible que note el calor si la toca con la mano.

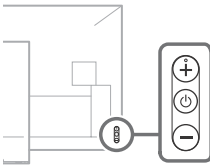
Audio o vídeo congelado, pantalla en blanco o televisor que no responde a los botones del televisor o el mando a distancia.

- Reinicie el televisor desconectando el cable de alimentación de CA durante dos minutos y conectándolo de nuevo.

No se encuentran los botones , y en el televisor.

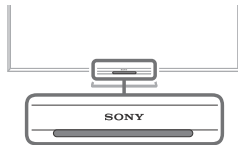
- En la siguiente ilustración verá la posición de estos botones en el televisor.

Parte posterior del televisor



El LED de iluminación está encendido.


- Si no desea que el LED de iluminación se encienda, puede apagarlo.
Pulse **HOME** y, a continuación, seleccione [Ajustes] → [LED de iluminación] → [No].



No es posible conectar con un router inalámbrico mediante WPS (Wi-Fi Protected Setup).

- Si utiliza seguridad WEP, seleccione [Fácil] → [Wi-Fi] → [Conectar por lista de búsqueda]. A continuación, seleccione el nombre de la red (SSID) a la que desea conectarse.

No se encuentra el nombre de red solicitado en la configuración de la red.

- Seleccione [[Definir manualmente]] y pulse  para introducir el nombre de la red.

Especificaciones

Sistema

Sistema de panel

Panel LCD (pantalla de cristal líquido),
Retroiluminación LED

Sistema de televisión

Según el país/selección de área/modelo de televisor

Analógico: B/G, D/K, L, I

Digital: DVB-T/DVB-C
DVB-T2*

Satélite*: DVB-S/DVB-S2

Sistema de color

PAL, SECAM, NTSC3.58 (Solo vídeo), NTSC4.43 (Solo vídeo)

Cobertura de canales

Según el país/selección de área/modelo de televisor

Analógico: UHF/VHF/Cable

Digital: UHF/VHF/Cable

Satélite*: Frecuencia IF 950-2.150 MHz

Salida de sonido

10 W + 10 W

Tecnología inalámbrica

Protocolo IEEE802.11ac/a/b/g/n

(Es posible que IEEE802.11ac no esté disponible en función de los países/regiones.)

Bluetooth versión 4.1

- * No todos los televisores cuentan con la tecnología DVB-T2 o DVB-S/S2 o un terminal de antena satélite.

Conectores de entrada/salida

Antena/Cable

Terminal externo de 75 ohmios para VHF/UHF

Antena de satélite

Conector tipo F hembra, 75 ohm.

DiSEqC 1.0, LNB 13 V/18 V y tono de 22 kHz,

Distribución de cable único EN50494.

AV 1

Euroconector de 21 pines (norma CENELEC) con entrada de audio/vídeo, entrada RGB y salida de audio/vídeo de televisión.

AV 2

Entrada de vídeo/audio (miniconector)

HDMI IN 1, 2, 3, 4 (compatible con resolución 4K, HDCP 2.2)

Vídeo (2D):

4096 × 2160p (50, 60 Hz)*¹, *², 4096 × 2160p (24 Hz)*¹, 3840 × 2160p (50, 60 Hz)*², 3840 × 2160p (24, 25, 30 Hz), 1080p (30, 50, 60 Hz), 1080/24p, 1080i (50, 60 Hz), 720p (30, 50, 60 Hz), 720/24p, 576p, 576i, 480p, 480i, Formatos de PC

*¹ Se muestra 3840 × 2160p al recibir 4096 × 2160p

*² Solo HDMI IN 2 / 3.

Vídeo (3D) (Solo modelos compatibles con 3D):

Compresión de fotogramas: 1080p (30Hz), 1080/24p, 1080i (50, 60Hz), 720p (30, 50, 60Hz), 720/24p

Lado a lado: 1080p (50, 60Hz), 1080/24p, 1080i (50, 60Hz), 720p (50, 60Hz)

Encima-debajo: 1080p (30, 50, 60Hz), 1080/24p, 1080i (50, 60Hz), 720p (50, 60Hz)

Audio: PCM lineal de 5,1 canales: 32, 44,1, 48, 88,2, 96, 176,4 y 192 kHz, 16, 20 y 24 bits, Dolby Digital, Dolby Digital Plus y DTS

ARC (Audio Return Channel) (sólo HDMI IN 3) (PCM lineal de dos canales, Dolby Digital, Dolby Digital Plus, DTS)

Ⓞ DIGITAL AUDIO OUT (OPTICAL)

Toma digital óptica (PCM lineal de dos canales, Dolby Digital, DTS)

AUDIO OUT Ⓞ / Ⓞ (minitoma estéreo)

Auriculares, salida de audio, subwoofer

• ← 1, • ← 2, SS ← 3 (HDD REC)*¹

Puerto para dispositivo USB (dispositivo HDD)

SS ← 3 USB para función REC)

Los puertos USB 1 y 2 son compatibles con USB de alta velocidad (USB2.0).

El puerto USB 3 es compatible con Super Speed USB (USB3.0).



Ranura CAM (módulo de acceso condicional)

LAN

Conector 10BASE-T/100BASE-TX (La velocidad de conexión puede variar según el entorno operativo de la red. No se garantizan la frecuencia y la calidad de comunicación de 10BASE-T/100BASE-TX para este televisor.)

IR BLASTER *¹

Entrada de cable IR Blaster (miniconector)

Otros

Accesorios opcionales

Soporte de pared : SU-WL450 (Sólo KD-65ZD9)

Subwoofer inalámbrico: SWF-BR100

Gafas 3D activas: TDG-BT500A



Temperatura de funcionamiento

De 0 °C a 40 °C

Humedad de funcionamiento

10 % - 80 % RH (sin condensación)

Alimentación, ficha de producto y otros

Requisitos de alimentación

Clasificación: Entrada 220 V - 240 V CA, 50 Hz

Categoría de eficiencia energética

KD-75ZD9: B

KD-65ZD9: B

Tamaño de la pantalla (medida diagonalmente) (Aprox.)

KD-75ZD9: 189,3 cm / 75 pulgadas

KD-65ZD9: 163,9 cm / 65 pulgadas

Consumo de energía

En el modo [Estándar]

KD-75ZD9: 259 W

KD-65ZD9: 210 W

En el modo [Viva]

KD-75ZD9: 453 W

KD-65ZD9: 347 W

Consumo medio de energía anual*²

KD-75ZD9: 359 kWh

KD-65ZD9: 291 kWh

Consumo de energía en modo de espera*^{3*4}

0,50 W (27 W en el modo de actualización del software/EPG)

Resolución de la pantalla

3 840 puntos (horizontal) × 2 160 líneas (vertical)

Potencia de salida

USB 1/2: 5 V, ---, 500 mA MÁX

USB 3: 5 V, ---, 900 mA MÁX

Dimensiones (Aprox.) (ancho × alto × fondo)

con el soporte de sobremesa

KD-75ZD9: 168,4 × 104,7 × 27,8 cm

KD-65ZD9: 146,2 × 92,0 × 26,8 cm

sin el soporte de sobremesa

KD-75ZD9: 168,4 × 97,3 × 7,8 cm

KD-65ZD9: 146,2 × 84,7 × 7,8 cm

Peso (Aprox.)

con el soporte de sobremesa

KD-75ZD9: 45,1 kg

KD-65ZD9: 35,7 kg

sin el soporte de sobremesa

KD-75ZD9: 41,3 kg

KD-65ZD9: 32 kg

*1 Solo en algunos países/regiones/modelos de televisor.

*2 Consumo de energía al año, con el televisor funcionando 4 horas al día durante 365 días. El consumo de energía real depende de la frecuencia de uso del televisor.

*3 El consumo de energía en modo de espera especificado se alcanza cuando el televisor termina los procesos internos necesarios.

*4 El consumo de energía en espera aumenta si el televisor está conectado a la red.

Nota


- No quite la tarjeta de protección de la ranura del CAM (módulo de acceso condicional) del televisor, a menos que vaya a introducir una tarjeta inteligente compatible en el CAM.
- La disponibilidad de los accesorios opcionales depende del país, la región, el modelo de televisor y las existencias.
- El diseño y las especificaciones están sujetos a cambios sin previo aviso.

Nota sobre la función de Televisión digital

- Toda función relacionada con la Televisión digital (DVB) sólo funcionará en los países o zonas donde se emitan señales digitales terrestres DVB-T/DVB-T2 (MPEG-2 y H.264/MPEG-4 AVC) o donde pueda acceder a un servicio de cable DVB-C (MPEG-2 y H.264/MPEG-4 AVC) compatible. Compruebe con su distribuidor local si puede recibir la señal DVB-T/DVB-T2 en su vivienda o pregunte a su operador de cable si su servicio de cable DVB-C puede funcionar de manera integrada con este televisor.
- El operador de cable puede cobrar por dicho servicio o exigirle que acepte sus términos y condiciones comerciales.
- Este televisor cumple las especificaciones de DVB-T/DVB-T2 y DVB-C, pero no se puede garantizar la compatibilidad con futuras emisiones digitales terrestres DVB-T/DVB-T2 y emisiones digitales por cable DVB-C.
- Es posible que algunas funciones de la televisión digital no estén disponibles en algunos países/regiones y que el cable DVB-C no funcione correctamente con algunos proveedores.

Información sobre las marcas comerciales

- Los términos HDMI y High-Definition Multimedia Interface y el logotipo HDMI son marcas comerciales o marcas comerciales registradas de HDMI Licensing LLC en Estados Unidos y en otros países.
- Fabricado con la licencia de Dolby Laboratories. Dolby, Dolby Audio y el símbolo de la doble D son marcas comerciales de Dolby Laboratories.
- "BRAVIA" y BRAVIA son marcas comerciales de Sony Corporation.
- Gracenote, Gracenote eyeQ, Gracenote VideoID, Gracenote Video Explore, el logotipo de Gracenote y el logotipo "Powered by Gracenote" son marcas comerciales registradas o marcas comerciales de Gracenote en Estados Unidos y/u otros países.
- Opera® Devices SDK from Opera Software ASA. Copyright 1995-2015 Opera Software ASA. All rights reserved.
- Wi-Fi, Wi-Fi Direct, Miracast, Wi-Fi Protected Setup y el logo Wi-Fi CERTIFIED son marcas registradas de Wi-Fi Alliance.
- Para obtener información sobre las patentes DTS, consulte <http://patents.dts.com>. Fabricado con licencia de DTS, Inc.
- DTS, su símbolo y DTS y el símbolo son marcas comerciales registradas y DTS Digital Surround es una marca comercial de DTS, Inc. © DTS, Inc. Todos los derechos reservados.
- QuickSet y el logotipo de QuickSet son marcas comerciales de Universal Electronics Inc. Portions © UEI 2000-2015
- Los logotipos y el nombre de la marca Bluetooth® son marcas registradas propiedad de Bluetooth SIG, Inc. y el uso de dichas marcas por parte de Sony Corporation es siempre con la licencia correspondiente. El resto de marcas comerciales y nombres comerciales son propiedad de sus respectivos propietarios.

- DiSEqC™ es una marca comercial de EUTELSAT.
Este televisor es compatible con DiSEqC 1.0. Este televisor no está pensado para controlar antenas motorizadas.
- TUXERA es una marca registrada de Tuxera Inc. en Estados Unidos y otros países.
- El símbolo del tridente de USB SuperSpeed de USB-IF es una marca comercial registrada de USB Implementers Forum, Inc. 

Inhoudsopgave

BELANGRIJK BERICHT	2
Veiligheidsinformatie	3
Voorzorgsmaatregelen	5
Onderdelen en bedieningselementen ..	7
Bedieningselementen en aanduidingen ..	7
De afstandsbediening gebruiken	8
Beschrijving van de onderdelen van de afstandsbediening	8
Aansluitschema	10
De televisie op de wand installeren	12
Alleen voor KD-75ZD9	14
Problemen oplossen	16
Problemen en oplossingen	16
Specificaties	17

Inleiding

Bedankt dat u hebt gekozen voor dit Sony product. Alvorens de televisie te gebruiken, dient u deze handleiding volledig door te lezen. Bewaar de handleiding voor raadpleging in de toekomst.

Opmerkingen

- Lees voor het bedienen van de televisie de "Veiligheidsinformatie" (pagina 3) voor u de televisie gebruikt.
- De afbeeldingen en illustraties die in de installatiehandleiding en de handleiding worden gebruikt, gelden uitsluitend als referentie en kunnen van het actuele product afwijken.

Locatie van de installatiehandleiding

De installatiehandleiding is bovenop het kussen in de televisiedoos geplaatst.

Helpgids

De hulpfunctie biedt veel informatie over uw TV. Om de Hulpfunctie te gebruiken, drukt u op de afstandsbediening op **HELP**. U kunt in de lijst probleemoplossingen vinden en te weten komen hoe u bepaalde zaken uitvoert, of u kunt ook een zoekopdracht uitvoeren met uw stem of geschreven trefwoorden. Selecteer [Helpgids] in het Hulpmenu om de handleiding te zien. Als u uw TV met het internet verbindt, wordt de Hulpfunctie en -informatie geüpdatet.

Locatie van het identificatielabel

Het label met het modelnummer, de productiedatum (jaar/maand) en de voedingsklasse bevinden zich op de achterkant van de tv en verpakking. Deze kunnen teruggevonden worden door de middelste afdekking te verwijderen.

WAARSCHUWING

OM DE VERSPREIDING
VAN VUUR TEGEN TE
GAAN, HOUDT U KAARSEN OF
ANDERE VUURHAARDEN
ALTIJD UIT DE BUURT VAN DIT
PRODUCT.



BELANGRIJK BERICHT

Dit product werd geproduceerd door of in opdracht van Sony Corporation, 1-7-1 Konan Minato-ku Tokyo, 108-0075 Japan. Vragen met betrekking tot product conformiteit gebaseerd op EU-wetgeving kunnen worden gericht aan de gemachtigde vertegenwoordiger, Sony Belgium, bijkantoor van Sony Europe Limited, Da Vincilaan 7-D1, 1935 Zaventem, België. Voor service- of garantie zaken verwijzen wij u door naar de adressen in de afzonderlijke service of garantie documenten.

Opmerking voor draadloos signaal



Hierbij verklaart Sony Corporation dat het toestel in overeenstemming is met de essentiële eisen en de andere relevante bepalingen van richtlijn 1999/5/EG.

Nadere informatie kunt u vinden op:
<http://www.compliance.sony.de/>

Opmerking voor klanten: de volgende informatie is enkel van toepassing voor apparaten die verkocht worden in landen die de EU-richtlijnen in acht nemen.

Het draadloze systeem van een tv kan worden gebruikt in de volgende landen:

AT, BE, HR, CY, CZ, DK, EE, FI, FR, DE, GR, HU, IE, IT, LV, LT, LU, MT, NL, PL, PT, SK, SI, ES, SE, GB, IS, LI, NO, CH, BG, RO, TR, AL, BA, MK, MD, RS, ME, Kosovo

Deze apparatuur kan worden gebruikt in andere niet-Europese landen.

Veiligheidsinformatie

WAARSCHUWING

Batterijen mogen niet worden blootgesteld aan te hoge temperaturen, bijvoorbeeld zonneschijn, vuur en dergelijke. Zet een televisie nooit op een instabiele plaats. De televisie kan vallen en zo ernstig persoonlijk letsel of overlijden tot gevolg hebben. Veel letsel, met name bij kinderen, kan worden vermeden door eenvoudige voorzorgsmaatregelen te treffen, zoals:

- Gebruik een kast of een standaard die door de fabrikant van de televisie wordt aanbevolen.
- Gebruik alleen een meubel waar de televisie veilig op kan staan.
- Zorg ervoor dat de televisie niet uitsteekt over de rand van het meubel waarop hij staat.
- Zet de televisie niet op hoog meubilair (bijvoorbeeld kasten of boekenkasten) zonder zowel het meubel als de televisie aan een geschikt steunpunt te verankeren.
- Zet de televisie niet op een kleed of ander materiaal dat ligt tussen de televisie en het meubel waarop hij staat.
- Leer kinderen dat het gevaarlijk is om op een meubel te klimmen om naar de televisie of de bediening te reiken.

Als u uw huidige televisie blijft gebruiken en verplaatst, gelden daarvoor dezelfde overwegingen als hierboven.

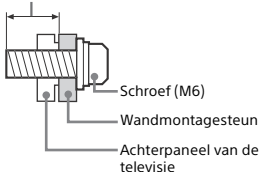
Installatie/configuratie

Installeer en gebruik de televisie volgens de instructies hieronder om het risico op brand, elektrische schok, schade en/of letsel te vermijden.

Installatie

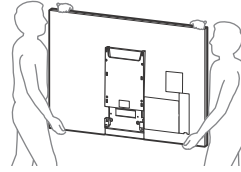
- Het televisietoestel moet in de buurt van een goed toegankelijk stopcontact worden geplaatst.
- Plaats de televisie op een stabiel, horizontaal oppervlak om te vermijden dat hij valt en persoonlijk letsel of schade aan eigendommen veroorzaakt.
- Zet de televisie op een plaats waar er niet aan getrokken of tegen geduwd kan worden, en waar deze niet omver kan vallen.
- Laat wandinstallaties alleen door gekwalificeerd servicepersoneel uitvoeren.
- Het wordt om veiligheidsredenen aanbevolen accessoires van Sony te gebruiken, zoals:
 - Wandmontagesteun
 - SU-WL450 (Alleen voor KD-65ZD9)
- Gebruik de schroeven die bij de wandmontagesteun geleverd zijn voor het bevestigen van de wandmontagesteun aan het televisietoestel. De bijgeleverde schroeven zijn ontworpen zoals aangegeven op de afbeelding, wanneer gemeten vanaf het bevestigingsoppervlak van de wandmontagesteun. De diameter en de lengte van de schroeven verschillen naar gelang het model van de wandmontagesteun. Het gebruik van andere schroeven dan de meegeleverde schroeven kan resulteren in interne schade van het televisietoestel of kan ertoe leiden dat de televisie valt enz.

10 mm - 12 mm



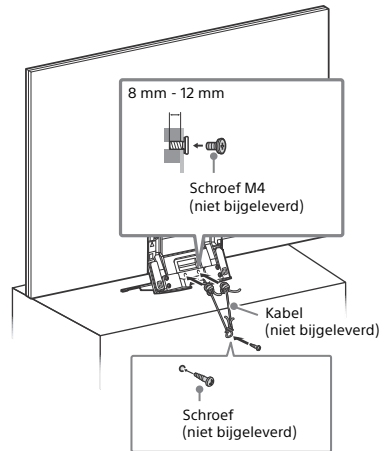
Transport

- Voordat u het televisietoestel transporteert, moet u alle snoeren loskoppelen.
- Voor het transport van een groot televisietoestel zijn twee of drie personen nodig.
- Wanneer de televisie met de hand wordt gedragen, dient u deze als volgt vast te houden. Druk niet tegen het LCD-scherm en het kader rond het scherm.



- Wanneer u het televisietoestel vervoert, mag u dit niet blootstellen aan schokken of sterke trillingen.
- Als u het televisietoestel naar de reparateur brengt of vervoert, verpakt u het in de oorspronkelijke doos en verpakkingsmaterialen.

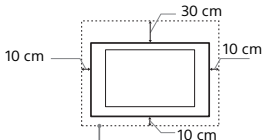
Omvallpreventie



Ventilatie

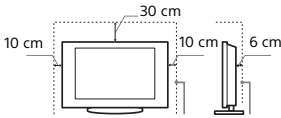
- Bedek nooit de ventilatie-openingen en steek nooit iets daardoor naar binnen.
- Houd ruimte vrij rond het televisietoestel zoals hierna wordt aangegeven.
- Het wordt aanbevolen de wandmontagesteun van Sony te gebruiken voor een goede luchtcirculatie.

Installatie aan de wand



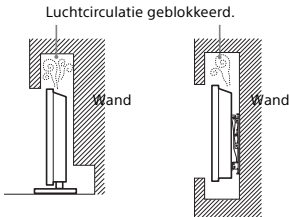
Houd minimaal deze ruimte vrij rond het toestel.

Installatie op de standaard



Houd minimaal deze ruimte vrij rond het toestel.

- Voor een goede ventilatie en om ophoping van vuil en stof te voorkomen:
 - Plaats het televisietoestel niet plat op de grond en installeer het niet ondersteboven, achterstevoren of gedraaid.
 - Installeer het televisietoestel niet op een plank, kleed, bed of in een kast.
 - Dek het televisietoestel niet af met een doek, zoals gordijnen, of voorwerpen als kranten enz.
 - Installeer het televisietoestel niet zoals hierna wordt getoond.



Netsnoer

Hanteer het netsnoer en het stopcontact als volgt om het risico op brand, elektrische schok of schade en/of letsel te vermijden:

- Gebruik alleen Sony-netsnoeren en geen netsnoeren van andere leveranciers.
- Steek de stekker volledig in het stopcontact.
- Gebruik het televisietoestel uitsluitend op een wisselspanning van 220 V - 240 V.
- Koppel voor alle veiligheid het netsnoer los als u de kabels aansluit en let erop dat u niet over de kabels struikelt.
- Verwijder het netsnoer uit het stopcontact voordat er werkzaamheden aan het televisietoestel worden uitgevoerd of het wordt verplaatst.
- Houd het netsnoer uit de buurt van warmtebronnen.
- Verwijder de stekker uit het stopcontact en reinig deze regelmatig. Indien de stekker wordt bedekt door stof of vocht, kan de isolatie verslechteren, hetgeen brand kan veroorzaken.

Opmerkingen

- Gebruik het meegeleverde netsnoer niet voor andere apparatuur.
- Zorg dat het netsnoer niet te veel wordt afgeklemd, gebogen of gedraaid. Hierdoor kunnen de draden worden blootgelegd of doorsneden.
- Pas het netsnoer niet aan.
- Plaats geen zware voorwerpen op het netsnoer.
- Trek nooit aan het netsnoer zelf als dit wordt losgekoppeld.
- Sluit niet te veel apparaten aan op hetzelfde stopcontact.
- Gebruik geen stopcontact waarbij de stekker slecht contact maakt.

Verboden gebruik

Installeer/gebruik het televisietoestel niet op locaties, in omgevingen of situaties die hierna worden weergegeven. Het televisietoestel kan dan slecht gaan functioneren en brand, elektrische schok, schade en/of letsel veroorzaken.

Locaties:

- Buiten (in direct zonlicht), aan de kust, op een schip of ander vaartuig, in een voertuig, in medische instellingen, op instabiele locaties, in de buurt van water, regen vocht of rook.

Omgevingen:

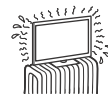
- Locaties die heet, vochtig of zeer stoffig zijn; waar insecten kunnen binnendringen; waar het toestel kan worden blootgesteld aan mechanische trillingen, in de buurt van brandbare voorwerpen (kaarsen enz.). Stel het televisietoestel niet bloot aan druppels of spetters en plaats geen met vloeistof gevulde voorwerpen, zoals vazen, op het toestel.

Situaties:

- Het gebruik met natte handen, als de kast is verwijderd of met bevestigingen wordt niet aangeraden door de fabrikant. Verwijder de stekker van het televisietoestel uit het stopcontact en ontkoppel de antenne tijdens onweer.
- Installeer de tv zodat deze uitsteekt in een open ruimte. Als een persoon of voorwerp tegen de televisie botst, kan dit resulteren in letsel of schade.



- Plaats de tv in een vochtige of stoffige omgeving of in een kamer met vette rook of stoom (nabij een kookfornuis of luchtbevochtiger). Dat kan leiden tot brand, elektrische schokken of vervorming.
- Installeer de tv op plaatsen die onderworpen zijn aan extreme temperaturen, zoals rechtstreeks zonlicht, nabij een radiator of verwarming met ventilator. De tv kan oververhit raken in dergelijke omstandigheden waardoor de kast kan vervormen en/of storingen van de tv kunnen ontstaan.



- Als de tv in de kleedkamer van een openbare badruimte of hete bron wordt gehangen, kan de tv beschadigd worden door zwavel in de lucht.



- Om de beste beeldkwaliteit te garanderen, mag u het scherm niet blootstellen aan rechtstreekse lichtstralen of zonlicht.
- Vermijd het verplaatsen van de tv van een koude plaats naar een warme plaats. Plotsse veranderingen in de kamertemperatuur kunnen condensatie veroorzaken. Dat kan ervoor zorgen dat de beeld- en/of kleurkwaliteit van de tv slecht is. Als dat het geval is, dient u het vocht volledig te laten verdampen voordat u de tv inschakelt.

Gebroken glas:

- Gooi niets tegen het televisietoestel. Het schermglas kan breken door de impact en ernstig letsel veroorzaken.
- Als het scherm van het televisietoestel barst, mag u het toestel pas aanraken nadat u de stekker uit het stopcontact hebt getrokken. Anders kan dit een elektrische schok veroorzaken.

Wanneer de televisie niet wordt gebruikt

- Als u het televisietoestel een aantal dagen niet gebruikt, dan moet het worden losgekoppeld van de netspanning vanwege milieu- en veiligheidsredenen.
- Als het televisietoestel nog onder spanning staat wanneer het net is uitgeschakeld, trekt u de stekker uit het stopcontact om het televisietoestel volledig uit te schakelen.
- Bepaalde televisietoestellen kunnen over functies beschikken waarvoor het toestel in de stand-by stand moet blijven om correct te werken.

Voor kinderen

- Zorg dat kinderen niet op het televisietoestel klimmen.
- Houd kleine accessoires buiten het bereik van kinderen, zodat deze niet kunnen worden ingeslikt.

In het geval de volgende problemen optreden...

Schakel het televisietoestel uit en verwijder onmiddellijk de netstekker uit het stopcontact als een van de volgende problemen optreedt.

Vraag uw dealer of Sony-servicecentrum het toestel te laten aankijken door gekwalificeerd servicepersoneel.

In het geval:

- het netsnoer is beschadigd.
- het netsnoer niet goed past.
- het televisietoestel is beschadigd omdat het is gevallen, er tegenaan is geslagen of er iets naar is gegooid.
- een vloeibaar of vast voorwerp door de openingen in de kast terecht is gekomen.

Over de temperatuur van de LCD-televisie

Wanneer de LCD-televisie langdurig wordt gebruikt, worden de randen van het beeldscherm warm. U kunt daar warmte voelen bij aanraking met de hand.

Voorzorgsmaatregelen

Televisie kijken

- Kijk televisie met gedempt licht, omdat televisie kijken in het donker of gedurende een lange periode de ogen extra belast.
- Als u een hoofdtelefoon gebruikt, mag u het volume niet te hoog zetten om gehoorbeschadiging te voorkomen.

(Alleen modellen die 3D ondersteunen)

- Sommige mensen kunnen ongemakken ervaren (vermoeide ogen, vermoeidheid of misselijkheid) bij het bekijken van 3D-beelden of het spelen van stereoscopische 3D-games. Sony raadt alle gebruikers aan regelmatig rustpauzes in te laten bij het bekijken van 3D-beelden of het spelen van stereoscopische 3D-games. De lengte en de frequentie van de nodige rustpauzes variëren van persoon tot persoon. U moet zelf beslissen wat voor u het best is. Als u ongemakken ervaart, dient u het bekijken van 3D-beelden of het spelen van stereoscopische 3D-games stop te zetten tot het ongemak over is. Raadpleeg indien nodig een dokter. Raadpleeg eveneens (i) de gebruiksaanwijzing van alle andere apparaten of media die u gebruikt in combinatie met deze tv en (ii) onze website (www.sony.eu/support) voor de recentste informatie. De ogen van jonge kinderen (vooral jonger dan zes jaar) zijn nog steeds in ontwikkeling. Raadpleeg een arts (bv. een kinderarts of oogarts) voor u jonge kinderen 3D-beelden laat bekijken of stereoscopische 3D-games laat spelen. Volwassen dienen ervoor te zorgen dat jonge kinderen de bovenstaande aanbevelingen opvolgen.
- Gebruik of bewaar de 3D Bril of batterij niet in de buurt van vuur of op plaatsen met een hoge temperatuur, zoals in direct zonlicht of in een auto die in de zon staat.

LCD-scherm

- Hoewel het LCD-scherm is vervaardigd met precisietechnologie en 99,99 % of meer van de pixels werken, kunnen er toch donkere of heldere puntjes (rood, blauw of groen) permanent zichtbaar zijn op het LCD-scherm. Dit is een structureel kenmerk van een LCD-scherm en duidt niet op een defect.
- Druk en kras niet op het scherm en plaats geen voorwerpen op het televisietoestel. Het beeld kan hierdoor vervormen of het LCD-scherm kan beschadigen.
- Als het televisietoestel op een koude plaats wordt gebruikt, kan het beeld vlekkelig of donker zijn. Dit wijst niet op een storing. Dit verschijnsel verdwijnt wanneer de temperatuur stijgt.
- Bij langdurige weergave van stilstaande beelden kunnen spookbeelden optreden. Deze kunnen na enige tijd verdwijnen.
- Het scherm en de kast worden warm als het televisietoestel wordt gebruikt. Dit duidt niet op een defect.

- Het LCD-scherm bevat een kleine hoeveelheid vloeibare kristallen en kwik. Gooi het toestel weg volgens de geldende lokale wetgeving en voorschriften.

Schermoppervlak/kast van het televisietoestel behandelen en reinigen

Zorg er om veiligheidsredenen voor dat u het netsnoer van het televisietoestel loskoppelt voordat u het reinigt. Neem de volgende voorzorgsmaatregelen in acht om verkleuring of beschadiging van het materiaal of de coating van het scherm te voorkomen.

- Reinig het schermoppervlak/de kast met een zachte doek om stof te verwijderen. Bevochtig een zachte doek licht met een verdund reinigingsmiddel bij hardnekkige stofvorming.
- Sproei nooit water of schoonmaakmiddelen rechtstreeks op de tv. Dit kan naar de onderzijde van het scherm lopen of op uitwendige onderdelen terechtkomen en de tv binnendingen, waardoor de tv kan beschadigd raken.
- Gebruik geen schuurponsje, alkalisch/zuurhoudend reinigingsmiddel, schuurpoeder of vluchtig oplosmiddel, zoals alcohol, benzeen, thinner of insectenbestrijdingsmiddel. Het gebruik van dergelijke materialen of het langdurig in aanraking komen met rubber- of vinylmaterialen kan beschadiging van het schermoppervlak en het materiaal van de kast tot gevolg hebben.
- Raak de televisie niet aan als aan uw hand chemische stoffen zitten, zoals handcrème of zonnebrandcrème.
- Het wordt aanbevolen de ventilatie-openingen regelmatig met de stofzuiger te reinigen om een goede ventilatie te handhaven.
- Als u de hoek van het televisietoestel aanpast, moet u het toestel langzaam verplaatsen om te voorkomen dat het televisietoestel van de standaard schiet.

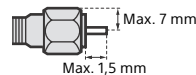


Optionele apparatuur

- Plaats optionele onderdelen of apparatuur die elektromagnetische straling uitzendt op een afstand van het televisietoestel. Anders kan beeldvervalsing en/of ruis optreden.
- Dit toestel is getest en compatibel bevonden met de limieten vermeld in de EMC-richtlijn voor het gebruiken van een verbindingssignaalkabel korter dan 3 meter.

Aanbeveling voor de F-stekker

De binnenste kabel mag maximaal 1,5 mm uit het aansluitingsdeel steken.



(Referentieafbeelding van de F-stekker)

Draadloze functie van het toestel

- Gebruik het apparaat niet in de buurt van medisch apparatuur (pacemaker, enz.), aangezien dit tot een defect van het medisch apparaat kan leiden.
- De signalen die dit toestel verzendt/ontvangt zijn gecodeerd, maar toch dient u voorzichtig te zijn met onrechtmatige interceptie. Wij kunnen niet verantwoordelijk worden gesteld voor mogelijke problemen ten gevolge hiervan.

Waarschuwing bij gebruik van de afstandsbediening

- Let op de + en de - bij het plaatsen van de batterijen.
- Combineer geen verschillende typen batterijen, of oude en nieuwe batterijen.
- Gooi oude batterijen niet gewoon weg, maar lever ze in. In bepaalde regio's kan het verwerken van batterijen aan regels zijn gebonden. Neem hiervoor contact op met de lokale autoriteiten.
- Hanteer de afstandsbediening met zorg. Laat de afstandsbediening niet vallen, ga er niet op staan en mors er geen vloeistof op.
- Plaats de afstandsbediening niet in de buurt van een warmtebron, op een plek in direct zonlicht of in een vochtige ruimte.

Wegwerpen van het televisietoestel



Verwijdering van oude elektrische en elektronische apparaten (van toepassing in de Europese Unie en andere Europese landen met gescheiden inzamelingsystemen)

Dit symbool op het product of op de verpakking wijst erop dat dit product niet als huishoudelijk afval mag worden behandeld. Het moet echter naar een inzamelingspunt

worden gebracht waar elektrische en elektronische apparatuur wordt gerecycled. Als u ervoor zorgt dat dit product op de correcte manier wordt verwerkt, helpt u mogelijke negatieve gevolgen voor mens en milieu die zouden kunnen veroorzakt worden in geval van verkeerde afvalbehandeling te voorkomen. Het recyclen van materialen draagt bij tot het behoud van natuurlijke bronnen. Voor meer details in verband met het recyclen van dit product, kan u contact opnemen met de gemeentelijke instanties, de organisatie belast met de verwijdering van huishoudelijk afval of de winkel waar u het product hebt gekocht.



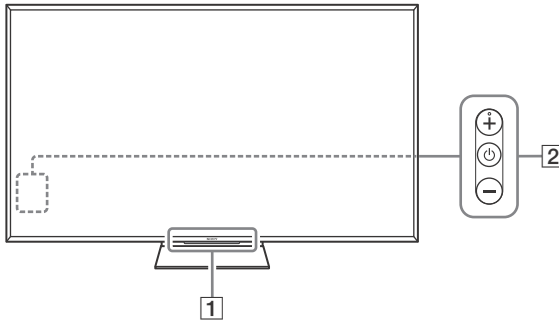
Verwijdering van oude batterijen (van toepassing in de Europese Unie en andere Europese landen met afzonderlijke inzamelingsystemen)

Dit symbool op de batterij of op de verpakking wijst erop dat de batterij, meegeleverd met van dit product niet als huishoudelijk afval behandeld mag worden. Op sommige batterijen kan dit symbool gebruikt worden in combinatie met een chemisch symbool. Het chemisch symbool voor kwik (Hg) of lood (Pb) wordt toegevoegd wanneer de batterij meer dan 0,0005 % kwik of 0,004 % lood bevat. Door deze batterijen op juiste wijze af te voeren, helpt u mogelijke negatieve gevolgen voor mens en milieu die zouden kunnen veroorzakt worden in geval van verkeerde afvalbehandeling te voorkomen. Het recyclen van materialen draagt bij tot het behoud van natuurlijke bronnen. In het geval dat de producten om redenen van veiligheid, prestaties dan wel in verband met data-integriteit een permanente verbinding met een ingebouwde batterij vereisen, mag deze batterij enkel door gekwalificeerd servicepersoneel vervangen te worden. Om ervoor te zorgen dat de batterij op een juiste wijze zal worden behandeld, dient het product aan het eind van zijn levenscyclus overhandigd te worden aan het desbetreffende inzamelingspunt voor de recyclage van elektrisch en elektronisch materiaal. Voor alle andere batterijen verwijzen we u naar het hoofdstuk over hoe de batterij veilig uit het product te verwijderen. Overhandig de batterij aan het desbetreffende inzamelingspunt voor de recyclage van batterijen. Voor meer details in verband met het recyclen van dit product of batterij, kan u contact opnemen met de gemeentelijke instanties, de organisatie het belast met de verwijdering van huishoudelijk afval of de winkel waar u het product hebt gekocht.

Onderdelen en bedieningselementen

Bedieningselementen en aanduidingen

NL






1 Afstandsbedieningssensor*1 / Lichtsensor*1 / Verlichtingsled / 3D Sync Zender*1*2

De verlichtingsled licht op of knippert afhankelijk van de status van de televisie.

- Wit
Bij het inschakelen van de televisie/stand beeld uit/software-update, enz.
- Cyaan
Bij draadloze verbinding met een mobiel apparaat.
- Roze*2
Opnamestand.
- Oranje
De timer is ingesteld.

2 (Aan/uit) / + / -

Wanneer de televisie uitgeschakeld is,
Druk op  om de televisie in te schakelen.

Wanneer de televisie ingeschakeld is,
Druk lang op  om de televisie uit te schakelen.
Druk herhaaldelijk op  om de functie te wijzigen en druk dan op de + of - knop om:

- Het volume aanpassen
- De zender selecteren
- De ingangsbron van de televisie selecteren

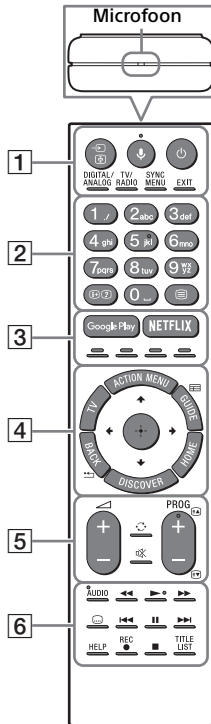
*1 Plaats niets in de buurt van de sensor.

*2 Beperkt tot bepaalde regio's/landen/tv-modellen.

De afstandsbediening gebruiken

Beschrijving van de onderdelen van de afstandsbediening

De vorm van de afstandsbediening, locatie, beschikbaarheid en functie van de afstandsbedieningsknop kunnen verschillen afhankelijk van uw regio/land en het model van uw televisie.



1 (Ingangsselectie/Tekst vasthouden)

In de televisiestand: De ingangsbron weergeven en selecteren.

In de teletekststand: De huidige pagina aanhouden.

(Microfoon)

U kunt de spraakfunctie gebruiken (bv. verschillende types inhoud zoeken aan de hand van spraakopdrachten).

(tv-stand-by)

Hiermee kunt u de televisie in of uitschakelen (stand-bystand).

DIGITAL/ANALOG

Hiermee kunt u schakelen tussen de digitale en de analoge modus.

TV/RADIO

Hiermee kunt u schakelen tussen TV- of RADIO-uitzendingen.

SYNC MENU

Hiermee kunt u het BRAVIA Sync-menu openen.

EXIT

Hiermee kunt u terugkeren naar het vorige scherm of het menu verlaten. Wanneer er een service voor interactieve toepassing beschikbaar is, drukt u op deze knop om de service te verlaten.

2 Cijfertoetsen

/ (Info/Tekst tonen)

Hiermee kunt u informatie weergeven.

(Teletekst)

Hiermee kunt u tekstinformatie weergeven.

3 Google Play

Hiermee kunt u de "Google Play"-onlinedienst openen.

NETFLIX (Beperkt tot bepaalde regio's/landen/tv-modellen)

Hiermee kunt u de "NETFLIX"-onlinedienst openen.

Kleurtoetsen

Hiermee kunt u de op dat moment geldende functie uitvoeren.

4 ACTION MENU

Hiermee kunt u een lijst met contextuele functies weergeven.

TV

- Hiermee kunt u vanaf een andere toepassing overschakelen naar een televisiezender of -ingang.
- Schakel de televisie in om het televisiezender of de ingang weer te geven.

GUIDE/

Hiermee kunt u de digitale programmagids weergeven.

BACK/

Hiermee kunt u terugkeren naar het vorige scherm.

HOME

Hiermee kunt u het startmenu van de televisie weergeven.

DISCOVER

Hiermee kunt u de inhoudsbalk oproepen om te zoeken naar inhoud.

/ / / / (item selecteren/bevestigen)

5 +/- (Volume)

Hiermee kunt u het volume regelen.



(Overschakelen)

Hiermee kunt u schakelen tussen twee zenders of ingangen. De televisie schakelt tussen de huidige zender of ingang en de vorige zender of ingang die geselecteerd was.

(geluidsonderdrukking)

Hiermee kunt u het geluid dempen. Druk nogmaals om het geluid te herstellen.

PROG +/- / /

In de televisiestand: De zender selecteren.
In de teletekststand: De volgende () of vorige () pagina selecteren.

6 AUDIO

Hiermee kunt u de taal wijzigen van het programma dat momenteel wordt bekeken.

(Ondertiteling instellen)

Hiermee kunt u ondertitels in- of uitschakelen (wanneer deze functie beschikbaar is).

/ / / / /

Hiermee kunt u inhoud op de televisie en op aangesloten BRAVIA Sync-compatibele apparaten bedienen.

HELP

Hiermee kunt u het helpmenu openen. De helpgids kan van hieruit worden geopend.

● REC

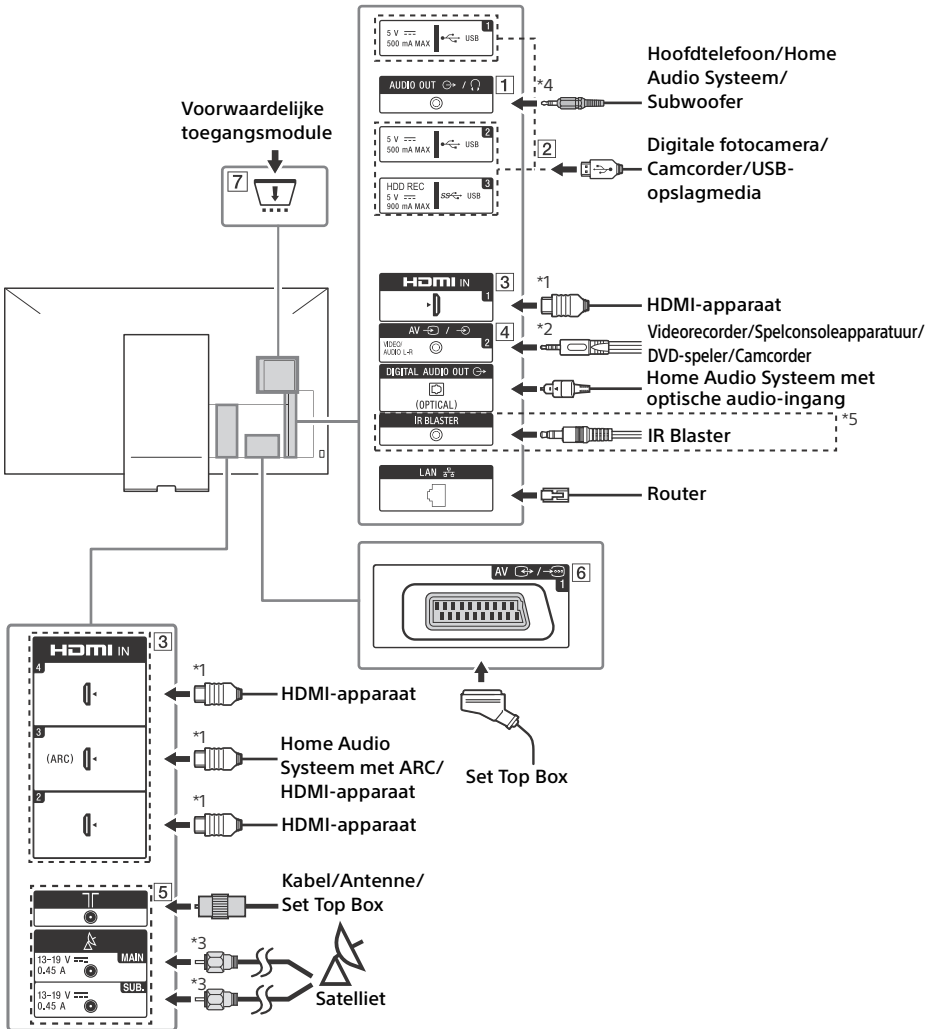
Hiermee kunt u het huidige programma opnemen met de USB HDD-opnamefunctie.

TITLE LIST

Hiermee kunt u de titellijst weergeven.

Aansluitschema

Raadpleeg de Helpgids voor meer informatie over aansluitingen (pagina 2).



1 AUDIO OUT *4

- Om het geluid van de televisie te beluisteren via de aangesloten apparatuur, drukt u op **HOME**. Selecteer [Instellingen] → [Geluid] → [Hoofdtelefoon/Audio uit] en selecteer vervolgens het gewenste item.

2 **USB 1/2, USB 3 (HDD REC)*5**

- Als u hierop een groot USB-apparaat aansluit, kan dit andere aangesloten apparaten hinderen.
- Sluit grote USB-apparaten aan op de USB 1-aansluiting.

3 **HDMI IN 1/2/3/4**

- Wanneer u een digitaal audiosysteem dat compatibel is met ARC-technologie (Audio Return Channel) aansluit, gebruikt u hiervoor HDMI IN 3. Doet u dit niet, dan moet u een bijkomende verbinding maken met DIGITAL AUDIO OUT (OPTICAL).

4 **AV 2**

- Gebruik voor een composietaansluiting de bijgeleverde analoge verlengkabel*5.

5 **(RF-ingang), (Satellietingang)**

- Aansluitingen voor terrestrische, kabel- en satelliettelevisie. Stappen voor aansluiting: MAIN → Antenne → SUB.
- Voor SUB.-aansluiting, alleen aansluiten als u een dubbele tunerstand gebruikt m.u.v. de Single Cable Distribution EN50494.

6 **AV 1**

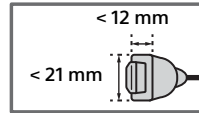
- Sluit hier een SCART-kabel op aan. Wanneer u een analoge decoder aansluit, voert de televisietuner gecodeerde signalen uit naar de decoder, waarna de decoder deze signalen decodeert vooraleer ze uit te voeren.

7 **CAM (Voorwaardelijke toegangsmodule)**

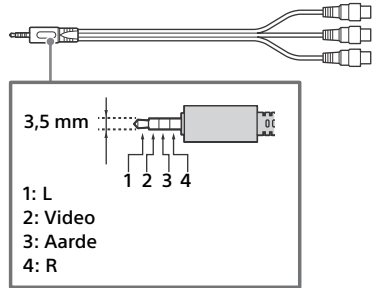
- Biedt u toegang tot betaaltelevisieservices. Raadpleeg de gebruikershandleiding die bij uw CAM werd geleverd voor meer informatie.
- Plaats de smartcard niet rechtstreeks in de CAM-sleuf van de televisie. U moet deze plaatsen in de Conditional Access Module die u hebt gekregen van uw erkende verdeler.

- CAM wordt niet in alle landen/regio's ondersteund. Doe navraag bij uw erkende verdeler.
- Er kan een CAM-melding verschijnen als u overschakelt naar een digitaal programma nadat u internetvideo gebruikt hebt.

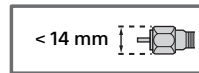
*1



*2



*3



*4 Ondersteunt alleen een 3-polige stereo mini-aansluiting.

*5 Beperkt tot bepaalde regio's/landen/tv-modellen.

De televisie op de wand installeren

De handleiding van deze televisie toont alleen de stappen om de installatie van de televisie voor te bereiden vooraleer hij op de wand wordt geïnstalleerd.

Voor klanten:

Om redenen van productbescherming en veiligheid adviseert Sony ten stelligste dat de installatie van uw televisie wordt uitgevoerd door een Sony-verkoper of door een erkende aannemer. Probeer de televisie niet zelf te installeren.

Voor Sony-verkopers en aannemers:

Schenk goed aandacht aan de veiligheid tijdens de installatie, het periodiek onderhoud en het onderzoek van dit product.

Voldoende ervaring is vereist om dit product te installeren, met name om te bepalen of de wand het gewicht van de televisie kan dragen. Vertrouw de bevestiging van dit product op de wand toe aan Sony-verkopers of erkende aannemers en schenk goed aandacht aan de veiligheid tijdens de installatie. Sony is niet aansprakelijk voor schade of letsels als gevolg van onjuist handelen of onjuiste installatie.

Gebruik de wandmontagesteun SU-WL450 (niet bijgeleverd) (KD-65ZD9) om de televisie aan een muur te bevestigen.

Bij het installeren van de wandmontagesteun raadpleegt u ook de gebruiksaanwijzing en de installatiegids die bij de wandmontagesteun zijn geleverd.

Opmerkingen

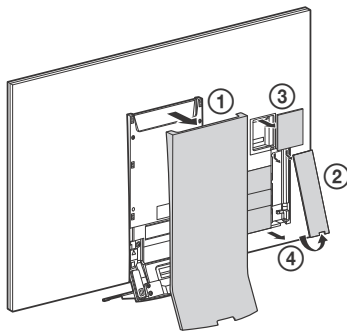
- Bewaar de uitgedraaide schroeven op een veilige plaats en zorg ervoor dat kinderen er niet bij kunnen komen.



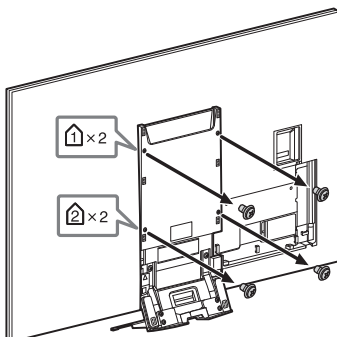
Raadpleeg de volgende website voor instructies over de installatie van de wandmontagesteun voor uw TV-model:
www.sony.eu/tv/wall-mount-bracket-manual

Alleen voor KD-65ZD9

1 Verwijder het zij-, binnen-, boven- en middenpaneel.



2 Verwijder de schroeven aan de achterzijde van de televisie.



Alleen voor KD-75ZD9

Uw televisie kan worden bevestigd op een wandmontagesteun (niet bijgeleverd) uit de doos in de verpakking.

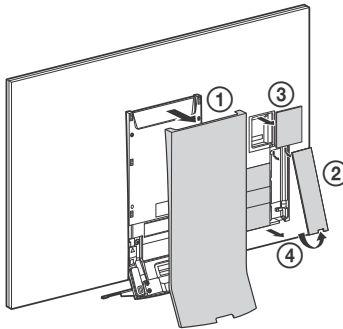
Maak de televisie klaar voor de wandmontagesteun voor u de kabelverbindingen tot stand brengt.

Om het toestel te beschermen en om veiligheidsredenen raadt Sony u met klem aan de televisie aan een muur te laten bevestigen door een erkende installateur. Probeer dit niet zelf te doen.

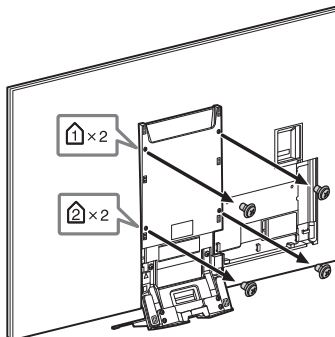
- Volg de instructies die bij de wandmontagesteun voor uw model geleverd zijn. Voor de installatie van deze televisie is de nodige expertise vereist, met name om te bepalen of de muur sterk genoeg is om het gewicht van de televisie te dragen.
- Bewaar de ongebruikte schroeven en de tafelstandaard op een veilige plaats voor het geval u de tafelstandaard opnieuw wilt bevestigen. Houd de schroeven op een veilige afstand van kleine kinderen.

Alleen voor KD-75ZD9

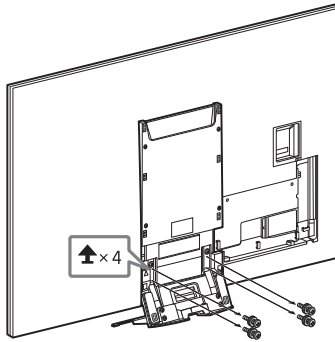
1 Verwijder het zij-, binnen-, boven- en middenpaneel.



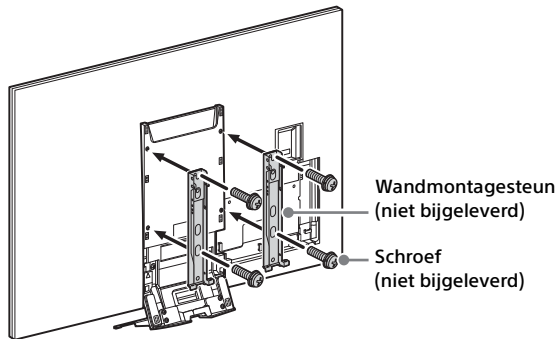
2 Verwijder de schroeven aan de achterzijde van de televisie.



3 Maak de tafelstandaard los van de televisie.



4 Bevestig de wandmontagesteun (niet bijgeleverd) met de schroeven (niet bijgeleverd).



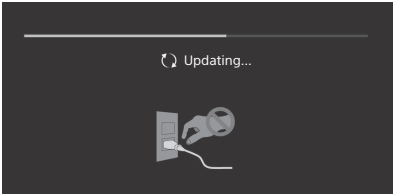
Opmerkingen

- Bij gebruik van een elektrische schroevendraaier moet het moment op ongeveer 1,5 N·m {15 kgf·cm} worden ingesteld.

Problemen oplossen

Om de software van uw televisie up-to-date te houden, moet u de recentste software downloaden via het digitale uitzendstelsel of het internet en de software updaten. Selecteer [Nu updaten] om een software-update te starten. De verlichtings-led knippert wit terwijl de software geüpdatet wordt.

Het volgende scherm met [Updating...] (Bijwerken...) zal verschijnen terwijl de software wordt bijgewerkt.



Koppel het netsnoer niet los tijdens het updaten van de software. Als u dit wel doet, is het mogelijk dat de software-update niet volledig wordt uitgevoerd, wat softwarestoringen kan veroorzaken. Software-updates kunnen tot 30 minuten duren. Als u de software niet automatisch wilt updaten, drukt u op **HOME** en selecteert u [Help] → [Update systeemsoftware] → [Automatisch software download] → [Uit].

Wanneer u de televisie aansluit, duurt het even om het systeem te initialiseren. Daardoor is het mogelijk dat de televisie een tijd niet kan worden ingeschakeld, zelfs niet als u op de aan/uit-knop op de afstandsbediening of op de televisie drukt. Wacht ongeveer een minuut en probeer het daarna opnieuw.

Wanneer u de televisie inschakelt door op de aan/uit-knop op de afstandsbediening of op de televisie te drukken, zal het even duren voor de verlichtings-led oplicht en de afstandsbediening werkt.

Tel hoeveel keer het LED-lampje knippert als het rood knippert (intervaltijd bedraagt drie seconden).

Als de verlichtings-LED rood knippert, reset u de televisie door het netsnoer gedurende twee minuten los te koppelen en de televisie vervolgens in te schakelen.


Als het probleem hierdoor niet opgelost raakt, contacteert u uw verdeler of Sony-servicecentrum en meldt u het aantal keer dat de verlichtings-LED rood knippert (het interval bedraagt drie seconden). Koppel het netsnoer los en breng uw verdeler of Sony-servicecentrum op de hoogte van het probleem.

Controleer de items in de onderstaande tabellen als het LED-lampje niet knippert.

Het is ook mogelijk om het hoofdstuk Problemen oplossen in de handleiding te raadplegen of een zelfdiagnose uit te voeren door [Help] → [Zelfdiagnose] te selecteren. Als het probleem aanhoudt, moet u de televisie laten nakijken door bevoegd onderhoudspersoneel.

Problemen en oplossingen

Er is geen beeld (scherm is donker) en geen geluid.

- Controleer de aansluiting van de antenne/kabel.
- Sluit het netsnoer aan op de televisie en druk op  op de televisie of afstandsbediening.

Op sommige programma's kan niet worden afgestemd.

- Controleer de aansluiting van de antenne/kabel.
- De satellietkabel is mogelijk kortgesloten of niet goed aangesloten. Controleer de kabelaansluiting, schakel vervolgens de tv uit met de netstroomschakelaar en schakel deze daarna weer in.
- De ingevoerde frequentie ligt buiten het bereik. Neem contact op met de satellietmaatschappij van de ontvangen zender.

Geen kabel-tv-diensten (programma's) gevonden.

- Controleer de aansluiting van de kabel of de afstemming.
- U probeert [Digitale automatische programmering] uit te voeren door [Aards] in plaats van [Kabel] te selecteren.

De afstandsbediening werkt niet.

- Vervang de batterijen.

U bent het wachtwoord voor het [Kinderslot (uitzending)] vergeten.

- Voer 9999 in als pincode. Update de pincode door achtereenvolgens [Instellingen] → [Kinderslot (uitzending)] → [Wijzig PIN-code].

De ruimte rond de tv wordt warm.

- Als de tv langdurig wordt gebruikt, wordt de ruimte rond de tv warm.
U kunt daar warmte voelen bij aanraking met de hand.

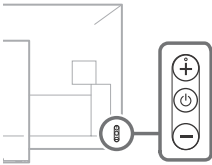
Bevroren audio of video, een blanco scherm of de tv reageert niet op de knoppen van de tv of de afstandsbediening.

- Voer een eenvoudige reset uit van de tv door het netsnoer gedurende twee minuten los te koppelen. Sluit het vervolgens opnieuw aan.

U vindt de knoppen , + en - niet terug op de televisie.

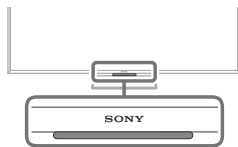
- Op de onderstaande afbeelding ziet u waar u de knoppen kunt terugvinden op de televisie.

Achterkant van de televisie



De verlichtings-LED is ingeschakeld.


- Als u niet wilt dat de verlichtings-LED oplicht, kunt u deze uitschakelen.
Druk op **HOME** en selecteer vervolgens [Instellingen] → [Verlichtings-LED] → [Uit].



Het lukt niet om verbinding te maken met een draadloze router via WPS (Wi-Fi Protected Setup).

- Als u WEP-beveiliging gebruikt, selecteert u [Beginner] → [Wi-Fi] → [Verbinden via scanlijst].
Selecteer vervolgens de naam van het netwerk (het SSID) waarmee u verbinding wilt maken.

De naam van het netwerk is niet terug te vinden bij de netwerkinstellingen.

- Selecteer [[Handmatige invoer]] en druk op  om de netwerknaam in te voeren.

Specificaties

Systeem

Beeldschermstelsysteem

LCD-scherm (Liquid Crystal Display),
LED-achtergrondverlichting

Televisiesysteem

Afhankelijk van uw land/regioselectie/
televisiemodel

Analoog: B/G, D/K, L, I

Digitaal: DVB-T/DVB-C

DVB-T2*

Satelliet*: DVB-S/DVB-S2

Kleurensysteem

PAL, SECAM, NTSC3.58 (alleen video), NTSC4.43
(alleen video)

Beschikbare kanalen

Afhankelijk van uw land/regioselectie/
televisiemodel

Analoog: UHF/VHF/kabel

Digitaal: UHF/VHF/Kabel

Satelliet*: IF-frequentie 950-2.150 MHz

Geluidsuitgang

10 W + 10 W

Draadloze technologie

Protocol IEEE802.11ac/a/b/g/n

(IEEE802.11ac is mogelijk niet beschikbaar
afhankelijk van uw land/regio.)

Bluetooth versie 4.1

- * Niet alle tv-sets zijn uitgerust met DVB-T2- of DVB-S/
S2-technologie of hebben een
satellietantennaansluiting.

Ingangen/uitgangen

Antenne/kabel

75 ohm externe aansluiting voor VHF/UHF

Satellietantenne

Vrouwelijke F-aansluiting, 75 ohm.

DiSEqC 1.0, LNB 13 V/18 V & 22 kHz-toon,

Distributie van één kabel EN50494.

AV 1

21-pins scart-aansluiting (CENELEC-standaard)
inclusief audio/video-ingang, RGB-ingang en TV
audio/video-uitgang.

AV 2

A/V-ingang (miniaansluiting)

HDMI IN 1, 2, 3, 4 (ondersteunt 4K-resolutie, HDCP 2.2-compatibel)

Video (2D):

4096 × 2160p (50, 60 Hz)*¹, *², 4096 × 2160p (24 Hz)*¹, 3840 × 2160p (50, 60 Hz)*², 3840 × 2160p (24, 25, 30 Hz), 1080p (30, 50, 60 Hz), 1080/24p, 1080i (50, 60 Hz), 720p (30, 50, 60 Hz), 720/24p, 576p, 576i, 480p, 480i, PC-formaten

*¹ 3840 × 2160p wordt weergegeven wanneer 4096 × 2160p ingevoerd wordt

*² Alleen HDMI IN 2 / 3.

Video (3D) (Alleen modellen die 3D ondersteunen):

Framepakking: 1080p (30Hz), 1080/24p, 1080i (50, 60Hz), 720p (30, 50, 60Hz), 720/24p
Naast elkaar: 1080p (50, 60Hz), 1080/24p, 1080i (50, 60Hz), 720p (50, 60Hz)
Boven elkaar: 1080p (30, 50, 60Hz), 1080/24p, 1080i (50, 60Hz), 720p (50, 60Hz)

Audio: 5,1-kanaals lineaire PCM: 32, 44,1, 48, 88,2, 96, 176,4 en 192 kHz, 16, 20 en 24 bits, Dolby Digital, Dolby Digital Plus en DTS ARC (Audio Return Channel) (alleen HDMI IN 3) (tweekanaals lineaire PCM, Dolby Digital, Dolby Digital Plus, DTS)

⊖ DIGITAL AUDIO OUT (OPTICAL)

Digitale optische aansluiting (tweekanaals lineaire PCM, Dolby Digital, DTS)

AUDIO OUT ⊖ / ⊕ (Stereominiaansluiting)

Hoofdtelefoon, audio-uitgang, subwoofer

• ← 1, • ← 2, **SS** ← 3 (HDD REC)*¹

Poort voor USB-apparaat (SS ← 3 USB HDD-apparaat voor REC-functie)

USB-poort 1 en 2 bieden ondersteuning voor High Speed USB (USB2.0).

USB-poort 3 biedt ondersteuning voor Super Speed USB (USB3.0).



CAM-sleuf (Conditional Access Module)



10BASE-T/100BASE-TX-stekker (Afhankelijk van de besturingsomgeving van het netwerk kan de verbindingssnelheid variëren. De communicatiesnelheid en -kwaliteit van 10BASE-T/100BASE-TX worden niet gegarandeerd voor deze tv.)

IR BLASTER *¹

Kabelingang voor de IR Blaster (mini-aansluiting)

Andere

Optionele accessoires

Wandmontagesteun: SU-WL450 (Alleen voor KD-65ZD9)

Draadloze subwoofer: SWF-BR100

Actieve 3D Bril: TDG-BT500A



Gebruikstemperatuur

0 °C – 40 °C

Gebruiksvochtigheidsgraad

10 % – 80 % relatieve luchtvochtigheid (zonder condensatie)

Stroom, Productfiche en andere

Netspanningsvereisten

Vermogen: input 220 V - 240 V AC, 50 Hz

Energie-efficiëntieklasse

KD-75ZD9: B

KD-65ZD9: B

Schermgrootte (diagonaal gemeten) (Ong.)

KD-75ZD9: 189,3 cm / 75 inch

KD-65ZD9: 163,9 cm / 65 inch

Stroomverbruik

in [Standaard] modus

KD-75ZD9: 259 W

KD-65ZD9: 210 W

in [Levendig] modus

KD-75ZD9: 453 W

KD-65ZD9: 347 W

Gemiddeld jaarlijks energieverbruik*²

KD-75ZD9: 359 kWh

KD-65ZD9: 291 kWh

Stand-by vermogensgebruik*^{3,4}

0,50 W (27 W in de stand voor bijwerken van de software/EPG)

Beeldschermresolutie

3.840 punten (horizontaal) × 2.160 lijnen (verticaal)

Uitvoer vermogen

USB 1/2: 5 V, ---, 500 mA MAX

USB 3: 5 V, ---, 900 mA MAX

Afmetingen (Ong.) (b × h × d)

met tafelstandaard

KD-75ZD9: 168,4 × 104,7 × 27,8 cm

KD-65ZD9: 146,2 × 92,0 × 26,8 cm

zonder tafelstandaard

KD-75ZD9: 168,4 × 97,3 × 7,8 cm

KD-65ZD9: 146,2 × 84,7 × 7,8 cm

Gewicht (Ong.)

met tafelstandaard

KD-75ZD9: 45,1 kg

KD-65ZD9: 35,7 kg

zonder tafelstandaard

KD-75ZD9: 41,3 kg

KD-65ZD9: 32 kg

*1 Beperkt tot bepaalde regio's/landen/tv-modellen.

*2 Energieverbruik per jaar, gebaseerd op het vermogensverbruik van de televisie die 365 dagen werkt gedurende 4 uur per dag. Het eigenlijke energieverbruik zal afhangen van de manier waarop de televisie wordt gebruikt.

*3 Het opgegeven stand-byvermogen wordt bereikt nadat de televisie de noodzakelijke interne processen heeft beëindigd.

*4 Het stand-by energieverbruik verhoogt als uw televisie verbonden is met het netwerk.

Opmerkingen

- Verwijder de dummykaart niet uit de CAM-sleuf (Conditional Access Module) van de televisie, behalve wanneer u een smart card wilt invoeren.
- De beschikbaarheid van optionele accessoires is afhankelijk van uw land/regio/tv-model/voorraad.
- Ontwerp en specificaties kunnen zonder voorafgaande kennisgeving worden gewijzigd.

Opmerkingen betreffende de digitale televisiefunctie

- Functies met betrekking tot digitale televisie (**DVB**) werken alleen in landen of gebieden waar DVB-T/DVB-T2 (MPEG-2 en H.264/MPEG-4 AVC) digitale aardse signalen worden uitgezonden of waar toegang is tot een compatibele DVB-C (MPEG-2 en H.264/MPEG-4 AVC) kabelservice. Vraag uw dealer of u een DVB-T/DVB-T2-sigitaal kunt ontvangen waar u woont of vraag uw kabelleverancier of hun DVB-C-kabelservice geschikt is voor een geïntegreerde werking met deze televisie.
- Uw kabelleverancier kan voor een dergelijke service kosten in rekening brengen en het kan zijn dat u moet instemmen met bepaalde voorwaarden.
- Dit televisietoestel voldoet aan de DVB-T/ DVB-T2- en DVB-C-specificaties, maar de compatibiliteit met toekomstige DVB-T/ DVB-T2 digitale aardse en DVB-C digitale kabeluitzendingen kan niet worden gegarandeerd.
- Bepaalde digitale televisiefuncties zijn wellicht niet beschikbaar in sommige landen/regio's en DVB-C-kabel werkt wellicht niet goed bij bepaalde aanbieders.

Informatie over handelsmerken

- De termen HDMI en HDMI High-Definition Multimedia Interface en het HDMI-logo zijn handelsmerken of gedeponeerde handelsmerken van HDMI Licensing LLC in de Verenigde Staten en andere landen.
- Geproduceerd onder licentie van Dolby Laboratories. Dolby, Dolby Audio en het dubbele-D-symbool zijn handelsmerken van Dolby Laboratories.
- "BRAVIA" en BRAVIA zijn handelsmerken van Sony Corporation.
- Gracenote, Gracenote eyeQ, Gracenote VideoID, Gracenote Video Explore, het Gracenote-logo en -logotype, en het logo "Powered by Gracenote" zijn gedeponeerde handelsmerken of handelsmerken van Gracenote in de Verenigde Staten en/of andere landen.
- Opera® Devices SDK from Opera Software ASA. Copyright 1995-2015 Opera Software ASA. All rights reserved.
- De Wi-Fi, Wi-Fi Direct, Miracast, Wi-Fi Protected Setup en Wi-Fi CERTIFIED logo's zijn handelsmerken of gedeponeerde handelsmerken van Wi-Fi Alliance.
- Raadpleeg <http://patents.dts.com> voor meer informatie over DTS-patenten. Gefabriceerd onder licentie van DTS, Inc. DTS, het overeenkomstige symbool en DTS gecombineerd met het overeenkomstige symbool zijn gedeponeerde handelsmerken, en DTS Digital Surround is een handelsmerk van DTS, Inc. © DTS, Inc. Alle rechten voorbehouden.
- QuickSet en het QuickSet-logo zijn handelsmerken van Universal Electronics Inc. Delen © UEI 2000-2015.
- Het Bluetooth® woordmerk en logo's zijn gedeponeerde handelsmerken van Bluetooth SIG, Inc. en het gebruik van deze merken door Sony Corporation gebeurt onder licentie. Andere handelsmerken en handelsnamen zijn het eigendom van hun respectieve eigenaars.

- DiSEqC™ is een handelsmerk van EUTELSAT.
Deze tv biedt ondersteuning voor DiSEqC 1.0. Deze tv is niet geschikt voor het aansturen van gemotoriseerde antennes.
- TUXERA is een gedeponeerd handelsmerk van Tuxera Inc. in de VS en andere landen.
- Het USB-IF SuperSpeed USB-drietandlogo is een gedeponeerd handelsmerk van USB Implementers Forum, Inc. 

Inhaltsverzeichnis

WICHTIGER HINWEIS	3
Sicherheitsinformationen	3
Sicherheitsmassnahmen	5
Komponenten und Bedienelemente	8
Bedienelemente und Anzeigen	8
Verwenden der Fernbedienung	9
Fernbedienung – Beschreibung der Teile	9
Anschlusschema	11
Montieren des Fernsehgeräts an der Wand	13
Nur KD-75ZD9	15
Störungsbehebung	17
Probleme und Lösungen	17
Technische Daten	19

Einleitung

Vielen Dank, dass Sie sich für ein Produkt von Sony entschieden haben.

Bitte lesen Sie dieses Handbuch aufmerksam durch, bevor Sie das Fernsehgerät verwenden, und bewahren Sie es auf, um später bei Bedarf darin nachschlagen zu können.

Anmerkung

- Lesen Sie sich vor der Bedienung des Fernsehgeräts die „Sicherheitsinformationen“ durch (Seite 3).
- Darstellungen und Abbildungen, die im Einrichtungshandbuch und in dieser Anleitung verwendet werden, dienen nur der Referenz und können vom tatsächlichen Produkt abweichen.

Wo befindet sich das Einrichtungshandbuch?

Das Einrichtungshandbuch befindet sich in der Fernsehgeräteverpackung auf dem Kissen.

Hilfe

Die Hilfefunktion bietet Ihnen zahlreiche Informationen zu Ihrem Fernseher. Drücken Sie zur Verwendung der Hilfefunktion HELP auf der Fernbedienung. Sie finden Hinweise und Fehlersuchtipps in der Liste oder durch Sprach- und Stichwortsuche. Wählen Sie [Hilfe] im Hilfemenü aus, um die Anleitung aufzurufen. Wenn Sie Ihren Fernseher mit dem Internet verbinden, werden die Hilfefunktion und die Informationen aktualisiert.

Position des Bezeichnungsschildes

Aufkleber mit Modellnummer, Herstellungsdatum (Jahr/Monat) und Betriebsspannung befinden sich auf der Rückseite des Fernsehgeräts oder auf der Verpackung. Sie befinden sich unter der abnehmbaren Zentralabdeckung.

WARNUNG

UM FEUERGEFAHR ZU
VERMEIDEN, HALTEN
SIE KERZEN UND JEGLICHE
OFFENEN FLAMMEN
JEDERZEIT VON DIESEM
GERÄT FERN.



WICHTIGER HINWEIS

Dieses Produkt wurde von oder für Sony Corporation, 1-7-1 Konan Minato-ku Tokio, 108-0075 Japan hergestellt. Bei Fragen zur Produktkonformität auf Grundlage der Gesetzgebung der Europäischen Union kontaktieren Sie bitte den Bevollmächtigten Sony Belgium, bijkantoor van Sony Europe Limited, Da Vincilaan 7-D1, 1935 Zaventem, Belgien. Für Kundendienst oder Garantieangelegenheiten wenden Sie sich bitte an die in den Kundendienst- oder Garantiedokumenten genannten Adressen.

Hinweis zum Drahtlos-Signal



Hiermit erklärt die Sony Corporation, dass sich dieses Gerät in Übereinstimmung mit den grundlegenden Anforderungen und den übrigen einschlägigen Bestimmungen der Richtlinie 1999/5/EG befindet.

Weitere Informationen erhältlich unter:
<http://www.compliance.sony.de/>

Hinweis für Kunden: Die folgenden Informationen gelten nur für Geräte, die in Ländern verkauft werden, in denen EU-Richtlinien gelten.

Das drahtlose Fernsehsystem darf in folgenden Ländern verwendet werden:

AT, BE, HR, CY, CZ, DK, EE, FI, FR, DE, GR, HU, IE, IT, LV, LT, LU, MT, NL, PL, PT, SK, SI, ES, SE, GB, IS, LI, NO, CH, BG, RO, TR, AL, BA, MK, MD, RS, ME, Kosovo

Dieses Gerät kann auch in Ländern außerhalb Europas eingesetzt werden.

Sicherheitsinformationen

WARNUNG

Batterien dürfen nicht übermäßiger Hitze, wie Sonnenlicht, einem Feuer oder Ähnlichem, ausgesetzt werden.

Stellen Sie einen Fernseher niemals auf einem instabilen Untergrund auf. Ein Fernseher kann herunterfallen und dadurch schwere oder sogar tödliche Körperverletzungen verursachen. Viele Verletzungen, insbesondere von Kindern, können vermieden werden, indem einfache Sicherheitsmaßnahmen eingehalten werden, wie z. B.:

- Verwendung von Regalen oderSockeln, die vom Hersteller des Fernsehers empfohlen werden.
 - Ausschließliche Verwendung von Möbeln, die den Fernseher sicher tragen können.
 - Sicherstellung, dass der Fernseher nicht über den Rand des unterstützenden Möbelstücks übersteht.
 - Keine Aufstellung des Fernsehers auf hohen Möbelstücken (z. B. Schränken oder Bücherregalen) ohne Verankerung des Möbelstücks und des Fernsehers auf einem geeigneten Träger.
 - Keine Aufstellung des Fernsehers auf Tüchern oder anderen Materialien, die sich evtl. zwischen dem Fernseher und dem unterstützenden Möbelstück befinden.
 - Aufklärung von Kindern über die Gefahren beim Klettern auf Möbelstücke, um den Fernseher oder seine Regler zu erreichen.
- Wenn Sie Ihren vorhandenen Fernseher behalten und an einem anderen Ort aufstellen, sollten die gleichen Hinweise wie oben genannt beachtet werden.

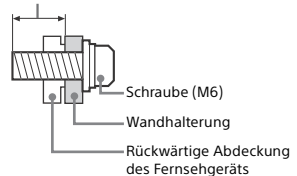
Installation/Einstellung

Installieren und benutzen Sie das Fernsehgerät unter Berücksichtigung der im Folgenden angegebenen Anweisungen, um alle Risiken wie Feuer, Stromschlag oder Beschädigungen und/oder Verletzungen zu vermeiden.

Installation

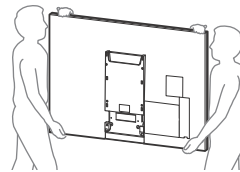
- Das Fernsehgerät sollte neben einer frei zugänglichen Netzsteckdose installiert werden.
- Stellen Sie das Fernsehgerät auf eine stabile, ebene Oberfläche, um zu verhindern, dass es herunterfällt und Personenschäden oder Sachschäden verursacht.
- Stellen Sie das Fernsehgerät an einem Ort auf, an dem es nicht gezogen, verschoben oder umgestoßen werden kann.
- Wandeinbauten sollten nur von qualifiziertem Fachpersonal ausgeführt werden.
- Aus Sicherheitsgründen wird dringend empfohlen, ausschließlich Sony Zubehörteile zu verwenden, inklusive: Wandhalterung
– SU-WL450 (Nur KD-65ZD9)
- Verwenden Sie unbedingt die Schrauben im Lieferumfang der Wandhalterung, wenn Sie die Wandhalterung am Fernsehgerät befestigen. Die mitgelieferten Schrauben sind, gemessen von der Befestigungsfläche der Wandhalterung, wie in der Abbildung dargestellt konzipiert. Durchmesser und Länge der Schrauben variieren je nach Modell der Wandmontagehalterung. Durch die Verwendung anderer als der mitgelieferten Schrauben kann das Fernsehgerät beschädigt werden oder herunterfallen.

10 mm - 12 mm



Transport

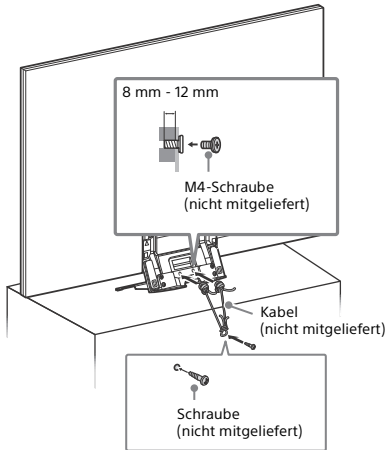
- Vor dem Transport des Fernsehgeräts ziehen Sie bitte alle Kabel auch dem Gerät.
- Zum Transport eines großen Fernsehgeräts sind zwei oder drei Personen nötig.
- Wenn Sie das Fernsehgerät ohne Hilfsmittel transportieren, halten Sie es wie unten dargestellt. Üben Sie weder auf den LCD-Bildschirm noch auf den Bildschirmrahmen Druck aus.



- Setzen Sie das Fernsehgerät beim Transport weder Stößen noch starken Erschütterungen aus.
- Wenn Sie das Fernsehgerät für Reparaturen oder bei einem Umzug transportieren müssen, verpacken Sie es mithilfe der Originalverpackungsmaterialien im Originalkarton.

DE

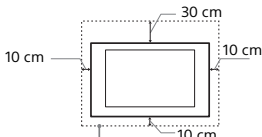
Verhinderung des Umkippens



Luftzirkulation

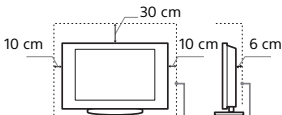
- Decken Sie nie die Lüftungsöffnungen ab und stecken Sie nichts in das Gehäuse.
- Lassen Sie ausreichend Platz um das Fernsehgerät (siehe Abbildung).
- Es wird dringend empfohlen, die offizielle Sony Wandmontagehalterung zu verwenden, um eine ausreichende Luftzirkulation zu gewährleisten.

Installation an der Wand



Lassen Sie mindestens so viel Platz um das Gerät.

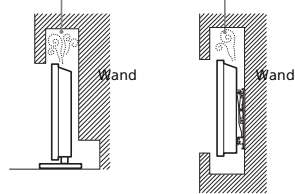
Aufstellung auf dem Standfuß



Lassen Sie mindestens so viel Platz um das Gerät.

- Um eine ausreichende Belüftung zu gewährleisten und Staub- oder Schmutzablagerungen zu vermeiden:
 - Stellen Sie das Fernsehgerät weder flach noch auf dem Kopf stehend, falsch herum oder seitwärts geneigt auf.
 - Stellen Sie das Fernsehgerät weder auf einem Regal, einem Teppich, einem Bett oder in einem Schrank auf.
 - Decken Sie das Fernsehgerät nicht mit Decken oder Vorhängen ab und legen Sie keine Gegenstände wie Zeitungen usw. darauf.
 - Installieren Sie das Fernsehgerät nicht wie auf der Abbildung gezeigt.

Die Luftzirkulation wird unterbunden.



Netz kabel

Um alle Risiken wie Feuer, Elektroschock oder Beschädigungen und/oder Verletzungen auszuschließen, sollten Sie das Netzkabel und den Stecker wie hier angegeben handhaben:

- Verwenden Sie ausschließlich die von Sony und keinen anderen Anbietern gelieferte Netzkabel.
- Stecken Sie den Stecker ganz in die Netzsteckdose.
- Dieses Fernsehgerät ist ausschließlich für den Betrieb an 220 V - 240 V Wechselstrom ausgelegt.
- Trennen Sie das Gerät zu Ihrer eigenen Sicherheit unbedingt vom Netzstrom, wenn Sie Kabel an dem Gerät anschließen, und stolpern Sie nicht über die Kabel.
- Trennen Sie das Netzkabel von der Netzsteckdose, bevor Sie das Fernsehgerät reparieren oder transportieren.
- Halten Sie das Netzkabel von Wärmequellen fern.
- Ziehen Sie den Netzstecker aus der Steckdose und reinigen Sie ihn regelmäßig. Wenn der Stecker verstaubt ist und sich Feuchtigkeit abgelagert, kann die Isolierung leiden und es besteht Feuergefahr.

Anmerkung

- Verwenden Sie das mitgelieferte Netzkabel nicht mit anderen Geräten.
- Klemmen, biegen oder verdrehen Sie das Netzkabel nicht übermäßig. Die blanken Adern im Inneren des Kabels könnten freiliegen oder brechen.
- Nehmen Sie am Netzkabel keine Veränderungen vor.
- Stellen Sie keine schweren Gegenstände auf das Netzkabel.
- Ziehen Sie nicht am Kabel, selbst wenn Sie das Netzkabel aus der Steckdose herausziehen.
- Achten Sie darauf, nicht zu viele andere Geräte an dieselbe Netzsteckdose anzuschließen.
- Verwenden Sie eine Netzsteckdose, in der der Stecker fest sitzt.

Verbotene Nutzung

Installieren Sie das Fernsehgerät weder an Standorten, in Umgebungen noch in Situationen wie den hier aufgeführten, da dies zu Fehlfunktionen des Fernsehgeräts und Feuer, Elektroschock, Beschädigungen und/oder Verletzungen führen kann.

Standorte:

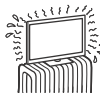
- Im Freien (in direktem Sonnenlicht), am Meer, auf einem Schiff oder Boot, im Innern eines Fahrzeugs, in medizinischen Einrichtungen, an instabilen Standorten, in der Nähe von Wasser, Regen, Feuchtigkeit oder Rauch.

Umgebungen:

- An heißen, feuchten oder übermäßig staubigen Orten, an denen Insekten in das Gerät eindringen können; an denen es mechanischen Erschütterungen ausgesetzt ist, neben brennbaren Objekten (Kerzen usw.). Das Fernsehgerät darf weder Tropfen oder Spritzern ausgesetzt werden. Es dürfen keine mit Flüssigkeit gefüllten Gegenstände, zum Beispiel Vasen, auf dem Fernsehgerät abgestellt werden.

Situationen:

- Mit nassen Händen, ohne Gehäuse oder mit anderem als vom Hersteller empfohlenen Zubehör benutzen. Trennen Sie das Fernsehgerät bei Gewitter von der Netzsteckdose und der Antenne.
- Das Fernsehgerät wird so aufgestellt, dass es frei in einen offenen Raum hineinragt. Andernfalls besteht die Gefahr, dass eine Person oder ein Gegenstand gegen das Fernsehgerät stößt und es kann zu Verletzungen oder Sachschäden kommen.
- Das Fernsehgerät wird an einem feuchten oder staubigen Ort oder in einem Raum mit fettigem Rauch oder Dampf aufgestellt (in der Nähe von Kochstellen oder Luftbefeuchtern). Andernfalls besteht Feuergefahr, die Gefahr eines elektrischen Schlags oder das Gerät kann sich verformen.
- Das Fernsehgerät wird an Orten mit extremen Temperaturen aufgestellt, etwa in direktem Sonnenlicht, in der Nähe einer Heizung oder eines Warmluftauslasses. Andernfalls kann sich das Fernsehgerät überhitzen und das Gehäuse kann sich verformen und/oder es kommt zu Fehlfunktionen am Fernsehgerät.



- Wenn das Fernsehgerät in der Umkleidekabine eines Schwimmbads oder Thermalbads aufgestellt wird, kann das Fernsehgerät durch Schwefeldämpfe usw. beschädigt werden.



- Für eine optimale Bildqualität schützen Sie den Bildschirm vor direkter Beleuchtung oder direktem Sonnenlicht.
- Bringen Sie das Fernsehgerät möglichst nicht von einem kalten in einen warmen Raum. Bei plötzlichen Temperaturschwankungen kann sich Feuchtigkeit niederschlagen. Dies kann die Bild- und/oder Farbqualität am Fernsehgerät beeinträchtigen. Lassen Sie die Feuchtigkeit in einem solchen Fall vor dem Einschalten des Fernsehgeräts vollständig verdunsten.

Bruchstücke:

- Werfen Sie nichts gegen das Fernsehgerät. Das Glas des Bildschirms könnte durch den Aufprall zerbrechen und schwere Verletzungen verursachen.
- Falls die Oberfläche des Fernsehgeräts zerspringt, ziehen Sie zuerst das Netzkabel aus der Steckdose, bevor Sie das Gerät berühren. Andernfalls könnte es zu einem elektrischen Schlag kommen.

Wenn das Gerät nicht benutzt wird

- Zum Schutz der Umwelt und aus Sicherheitsgründen empfiehlt es sich, das Fernsehgerät vom Stromnetz zu trennen, wenn es mehrere Tage nicht benutzt wird.
- Da das Fernsehgerät auch in ausgeschaltetem Zustand mit dem Stromnetz verbunden ist, wenn es nur ausgeschaltet wurde, muss der Stecker aus der Netzsteckdose gezogen werden, um das Fernsehgerät vollkommen auszuschalten.
- Bei einigen Fernsehgeräten gibt es möglicherweise Funktionen, für die das Fernsehgerät in den Bereitschaftsmodus geschaltet sein muss.

Kinder

- Sorgen Sie dafür, dass Kinder nicht auf das Fernsehgerät klettern.
- Bewahren Sie kleine Zubehörteile außerhalb der Reichweite von Kindern auf, damit diese nicht irrtümlicherweise verschluckt werden.

Falls folgende Probleme auftreten...

Schalten Sie das Fernsehgerät sofort aus und ziehen Sie den Netzstecker aus der Steckdose, sobald eines der folgenden Probleme auftritt.

Wenden Sie sich an Ihren Händler oder das Sony Kundendienstzentrum, um es von qualifiziertem Fachpersonal überprüfen zu lassen.

Wenn:

- Das Netzkabel beschädigt ist.
- Der Stecker nicht fest in der Netzsteckdose sitzt.
- Das Fernsehgerät durch Fallen, Stoßen oder einen geworfenen Gegenstand beschädigt ist.
- Flüssigkeit oder Fremdkörper durch die Öffnungen in das Fernsehgerät gelangen.

Über LCD-Fernsehgerät Temperatur

Wenn das LCD-Fernsehgerät längere Zeit genutzt wird, erwärmt sich der Bereich um den Bildschirm herum. Dieser Bereich kann sich heiß anfühlen, wenn Sie ihn mit der Hand berühren.

Sicherheitsmassnahmen

Fernsehen

- Schauen Sie bei gemäßigter Beleuchtung fern. Durch falsche Beleuchtung oder langes Fernsehen werden die Augen belastet.
- Stellen Sie beim Verwenden von Kopfhörern die Lautstärke moderat ein. Andernfalls kann es zu Gehörschäden kommen.

(nur 3D-kompatible Modelle)

- Beim Anschauen von 3D-Videobildern oder beim Spielen von räumlichen 3D-Spielen verspüren manche Menschen Unwohlsein (Überlastung der Augen, Müdigkeit oder Übelkeit). Sony empfiehlt, dass alle Zuschauer beim Betrachten von 3D-Videobildern bzw. beim Spielen von räumlichen 3D-Spielen regelmäßig Pausen einlegen. Die Länge und Häufigkeit der notwendigen Pausen variiert von Person zu Person. Sie müssen für sich entscheiden, was am besten ist. Sollten irgendwelche Beschwerden auftreten, dürfen Sie nicht weiter 3D-Videobilder anschauen oder räumliche 3D-Spiele spielen, bis das Unwohlsein vorüber ist. Konsultieren Sie gegebenenfalls einen Arzt. Schlagen Sie auch (i) in der Bedienungsanleitung von einem anderen Gerät oder Medium nach, das Sie zusammen mit dem Fernsehgerät verwenden, sowie (ii) auf unserer Website (www.sony.eu/support), wo Sie aktuelle Informationen finden. Bei kleinen Kindern (besonders bei Kindern unter sechs Jahren) entwickelt sich das Sehvermögen noch. Wenden Sie sich an einen Arzt (wie z. B. einen Kinder- oder Augenarzt), bevor Sie kleinen Kindern erlauben, 3D-Videobilder anzusehen oder räumliche 3D-Spiele zu spielen. Erwachsene sollten Kinder beaufsichtigen, um sicherzustellen, dass diese die oben aufgeführten Empfehlungen befolgen.
- Verwenden, lagern und belassen Sie die 3D-Brille oder die Batterie nicht in der Nähe von offenen Flammen oder an Orten mit hohen Temperaturen, z. B. in direktem Sonnenlicht oder in durch die Sonne aufgewärmten Autos.

LCD-Bildschirm

- Obwohl bei der Herstellung des LCD-Bildschirms mit hochpräziser Technologie gearbeitet wird und der Bildschirm 99,99 % und mehr effektive Pixel besitzt, ist es möglich, dass dauerhaft einige schwarze oder leuchtende Punkte (rot, grün oder blau) sichtbar sind. Es handelt sich dabei um eine strukturelle Eigenschaft von LCD-Bildschirmen und nicht um eine Fehlfunktion.
- Stoßen Sie nicht gegen den Filter an der Vorderseite, zerkratzen Sie ihn nicht und stellen Sie nichts auf dieses Fernsehgerät. Das Bild kann ungleichmäßig werden und der LCD-Bildschirm kann beschädigt werden.
- Wenn dieses Fernsehgerät an einem kalten Ort verwendet wird, kommt es möglicherweise zu Schmierstreifen im Bild oder das Bild wird dunkel. Dabei handelt es sich nicht um ein Versagen. Diese Effekte verschwinden, wenn die Temperatur steigt.
- Wenn Standbilder längere Zeit angezeigt werden, kann es zu Doppelbildern kommen. Dieser Effekt verschwindet in der Regel nach einigen Augenblicken.
- Bildschirm und Gehäuse erwärmen sich, wenn das Fernsehgerät in Betrieb ist. Dies ist keine Fehlfunktion.
- Der LCD-Bildschirm enthält eine kleine Menge Flüssigkristalle. Befolgen Sie bei der Entsorgung die bei Ihnen geltenden Entsorgungsrichtlinien.

Pflegen und Reinigen der Bildschirmoberfläche bzw. des Gehäuses des Fernsehgeräts

Trennen Sie das Netzkabel unbedingt von der Netzsteckdose, bevor Sie das Gerät reinigen.

Um Materialschäden oder Schäden an der Bildschirmbeschichtung zu vermeiden, beachten Sie bitte folgende Vorsichtsmaßnahmen.

- Entfernen Sie Staub vorsichtig mit einem weichen Tuch von der Bildschirmoberfläche bzw. dem Gehäuse. Bei stärkerer Verschmutzung feuchten Sie ein weiches Tuch leicht mit einer milden Reinigungslösung an und wischen dann über den Bildschirm.
- Sprühen Sie niemals Wasser oder Reinigungsmittel direkt auf das Fernsehgerät. Es kann bis zur Unterseite des Bildschirms oder der Außenteile laufen und in das Fernsehgerät gelangen und so Schäden am Fernsehgerät verursachen.
- Verwenden Sie keine Scheuerschwämme, keine alkalischen/säurehaltigen Reinigungsmittel, kein Scheuerpulver oder flüchtigen Lösungsmittel wie Alkohol, Benzin, Verdünnung oder Insektizide. Wenn Sie solche Mittel verwenden oder das Gerät längere Zeit mit Gummi- oder Vinylmaterialien in Berührung kommt, kann es zu Schäden an der Bildschirm- oder der Gehäuseoberfläche kommen.
- Berühren Sie das Fernsehgerät nicht, wenn Sie gerade chemische Stoffe wie Hand- oder Sonnenschutzcreme an den Händen haben.
- Um eine ausreichende Belüftung zu gewährleisten, wird regelmäßiges Staubsaugen der Lüftungsöffnungen empfohlen.
- Wenn Sie den Winkel des Fernsehgeräts einstellen, bewegen Sie das Fernsehgerät mit Vorsicht, damit es nicht verrutscht oder vom Ständer fällt.

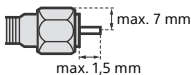


Sonderzubehör

- Halten Sie Zusatzteile oder Geräte mit elektromagnetischer Strahlung von dem Fernsehgerät fern. Andernfalls können Bild- und/oder Tonstörungen auftreten.
- Dieses Gerät wurde geprüft und erfüllt die EMV-Richtlinie, sofern ein Signalverbindungskabel von unter 3 m Länge verwendet wird.

Empfehlung für Stecker des F-Typs

Der Vorsprung der inneren Leitung ab dem Verbindungsteil darf höchstens 1,5 mm betragen.



(Referenzabbildung für Stecker des F-Typs)

Drahtlosfunktion des Geräts

- Das Gerät darf nicht in der Nähe medizinischer Geräte (Schrittmacher usw.) betrieben werden, da dies deren Funktionsweise beeinträchtigen kann.
- Obwohl dieses Gerät verschlüsselte Signale sendet/empfängt, müssen Sie sich vor nicht autorisiertem Empfang von Signalen schützen. Für etwaige Probleme diesbezüglich kann keine Haftung übernommen werden.

Vorsichtshinweis zum Umgang mit der Fernbedienung

- Achten Sie beim Einsetzen von Batterien auf die richtige Polung.
- Verwenden Sie Batterien unterschiedlicher Typen nicht gemeinsam und auch nicht alte und neue Batterien zusammen.
- Entsorgen Sie verbrauchte Batterien umweltschonend. Beachten Sie bitte geltende Entsorgungsrichtlinien für Batterien. Wenden Sie sich ggf. an die zuständige Behörde.
- Behandeln Sie die Fernbedienung sorgfältig. Lassen Sie sie nicht fallen, treten Sie nicht darauf und schütten Sie keine Flüssigkeiten darauf.
- Bewahren Sie die Fernbedienung nicht neben einer Wärmequelle, unter direkter Sonneneinstrahlung oder an einem feuchten Ort auf.

Entsorgen des Fernsehgeräts



Entsorgung von gebrauchten elektrischen und elektronischen Geräten (anzuwenden in den Ländern der Europäischen Union und anderen europäischen Ländern mit einem separaten Sammelsystem für diese Geräte)

Das Symbol auf dem Produkt oder seiner Verpackung weist darauf hin, dass dieses Produkt nicht als normaler Haushaltsabfall zu behandeln ist, sondern an einer Annahmestelle für das Recycling von elektrischen und elektronischen Geräten abgegeben werden muss. Durch Ihren Beitrag zum korrekten Entsorgen dieses Produkts schützen Sie die Umwelt und die Gesundheit Ihrer Mitmenschen. Umwelt und Gesundheit werden durch falsches Entsorgen gefährdet. Materialrecycling hilft, den Verbrauch von Rohstoffen zu verringern. Weitere Informationen zum Recycling dieses Produkts erhalten Sie bei Ihrer Gemeindeverwaltung, den kommunalen Entsorgungsbetrieben oder dem Geschäft, in dem Sie das Produkt gekauft haben.

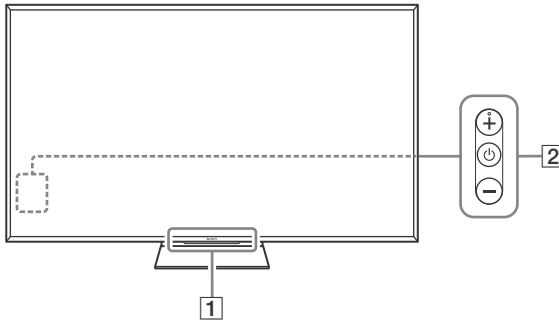


Entsorgung von gebrauchten Batterien und Akkus (anzuwenden in den Ländern der Europäischen Union und anderen europäischen Ländern mit einem separaten Sammelsystem für diese Produkte)

Das Symbol auf der Batterie/dem Akku oder der Verpackung weist darauf hin, dass diese nicht als normaler Haushaltsabfall zu behandeln sind. Ein zusätzliches chemisches Symbol Pb (Blei) oder Hg (Quecksilber) unter der durchgestrichenen Mülltonne bedeutet, dass die Batterie/der Akku einen Anteil von mehr als 0,0005 % Quecksilber oder 0,004 % Blei enthält. Durch Ihren Beitrag zum korrekten Entsorgen dieser Batterien/Akkus schützen Sie die Umwelt und die Gesundheit Ihrer Mitmenschen. Umwelt und Gesundheit werden durch falsches Entsorgen gefährdet. Materialrecycling hilft, den Verbrauch von Rohstoffen zu verringern. Bei Produkten, die auf Grund ihrer Sicherheit, der Funktionalität oder als Sicherung vor Datenverlust eine ständige Verbindung zur eingebauten Batterie benötigen, sollte die Batterie nur durch qualifiziertes Servicepersonal ausgetauscht werden. Um sicherzustellen, dass die Batterie korrekt entsorgt wird, geben Sie das Produkt zwecks Entsorgung an einer Annahmestelle für das Recycling von elektrischen und elektronischen Geräten ab. Für alle anderen Batterien entnehmen Sie die Batterie bitte entsprechend dem Kapitel über die sichere Entfernung der Batterie. Geben Sie die Batterie an einer Annahmestelle für das Recycling von Batterien/Akkus ab. Weitere Informationen über das Recycling dieses Produkts oder der Batterie erhalten Sie von Ihrer Gemeinde, den kommunalen Entsorgungsbetrieben oder dem Geschäft, in dem Sie das Produkt gekauft haben. Hinweis für Lithiumbatterien: Bitte geben Sie nur entladene Batterien an den Sammelstellen ab. Wegen Kurzschlussgefahr überkleben Sie bitte die Pole der Batterie mit Klebestreifen. Sie erkennen Lithiumbatterien an den Abkürzungen Li oder CR.

Komponenten und Bedienelemente

Bedienelemente und Anzeigen



1 Sensor der Fernbedienung*1 / Lichtsensor*1 / Beleuchtungs-LED / 3D-Sync-Sender*1*2

Die Beleuchtungs-LED leuchtet oder blinkt entsprechend dem Status des Fernsehgeräts.

- Weiß
Beim Einschalten des Fernsehgeräts/im Bild-aus-Modus/bei Softwareaktualisierungen usw.
- Cyan
Beim Herstellen einer Drahtlosverbindung mit dem Mobilgerät.
- Pink*2
Aufnahmemodus.
- Bernstein
Der Timer ist eingestellt.

2 ⏻ (Ein/Aus) / + / -

Wenn das Fernsehgerät ausgeschaltet ist,
drücken Sie ⏻ zum Einschalten.

Wenn das Fernsehgerät eingeschaltet ist,
halten Sie ⏻ Sie zum Ausschalten lang gedrückt.
Drücken Sie mehrmals ⏻, um die Funktion zu ändern, und drücken Sie dann die Taste + oder -, um Folgendes auszuführen:

- Lautstärkeeinstellung
- Kanalauswahl
- Auswahl der Eingangsquelle des Fernsehgeräts

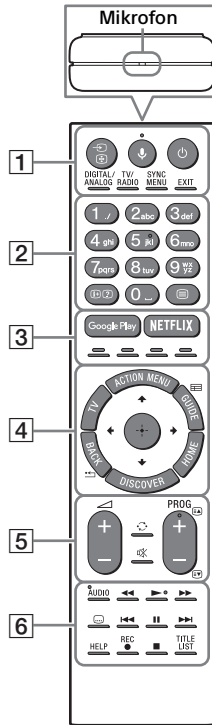
*1 Stellen Sie nichts in die Nähe des Sensors.

*2 Nur in bestimmten Regionen/Ländern bzw. für bestimmte Fernsehmodelle.

Verwenden der Fernbedienung

Fernbedienung – Beschreibung der Teile

Die Form der Fernbedienung sowie die Position, Verfügbarkeit und Funktion der Fernbedienungstasten kann abhängig von der Region/vom Land/vom Fernsehgerät-Modell variieren.



1 →/⏸ (Eingangswahl/Text anhalten)

Im TV-Modus: Eingangsquelle anzeigen lassen und auswählen.

Im Text-Modus: Stoppt auf der aktuellen Seite.

🎤 (Mikrofon)

Verwenden der Sprach-Funktion. (Zum Beispiel: Suche verschiedener Inhalte über die Stimme.)

⏻ (TV-Standby)

Schalten Sie das Fernsehgerät ein oder aus (Standby-Modus).

DIGITAL/ANALOG

Schalten Sie zwischen dem Digital- und Analogmodus um.

TV/RADIO

Schalten Sie zwischen TV- und RADIO-Sendungen um.

SYNC MENU

Rufen Sie das BRAVIA Sync-Menü auf.

EXIT

Rufen Sie den vorherigen Bildschirm auf oder schließen Sie das Menü. Wenn der Dienst Interactive Application verfügbar ist, drücken Sie diese Taste, um den Dienst zu beenden.

2 Zifferntasten

(Info/Text aufdecken)

Zeigt Informationen an.

(Text)

Diese Taste zeigt Textinformationen an.

3 Google Play

Rufen Sie den Onlinedienst „Google Play“ auf.

NETFLIX (nur in bestimmten Regionen/ Ländern bzw. für bestimmte Fernsehgerätemodelle)

Rufen Sie den Onlinedienst „NETFLIX“ auf.

Farbtasten

Mit diesen Tasten können Sie die entsprechenden Funktionen ausführen.

4 ACTION MENU

Zeigen Sie eine Liste der Kontextfunktionen an.

TV

- Schalten Sie zu einem Fernsehkanal oder zur Einspeisung anderer Geräte um.
- Schalten Sie das Fernsehgerät ein, um einen Fernsehkanal oder den Eingang anzuzeigen.

GUIDE

Zeigen Sie die digitale Programmübersicht an.

BACK

Rufen Sie den vorherigen Bildschirm auf.

HOME

Zeigen Sie das Startmenü des Fernsehgeräts an.

DISCOVER

Rufen Sie die Inhaltsleiste auf, um nach Inhalten zu suchen.

(Element auswählen/ Eingabe)

5 +/- (Lautstärke)

Passen Sie die Lautstärke an.

(Springen)



Springen Sie zwischen zwei Kanälen oder Eingängen hin und her. Das Fernsehgerät wechselt zwischen dem aktuellen Kanal oder Eingang und dem letzten Kanal oder Eingang, der ausgewählt war.

(Stummschaltung)

Schalten Sie den Ton stumm. Drücken Sie die Taste erneut, um den Ton wieder hörbar zu machen.

PROG +/-

Im TV-Modus: Wählen Sie den Kanal.

Im Text-Modus: Wählen Sie die nächste  oder vorherige  Seite.

6 AUDIO

Ändern Sie die Sprache für das Programm, das derzeit wiedergegeben wird.

(Untertitelleinstellung)

Aktivieren oder deaktivieren Sie die Untertitel (wenn die Funktion verfügbar ist).



Bedienen Sie Medieninhalte auf dem Fernsehgerät und auf einem angeschlossenen Gerät, das mit BRAVIA Sync kompatibel ist.

HELP

Zeigen Sie das Hilfe-Menü an. Von hier aus kann auf die Hilfe zugegriffen werden.

REC

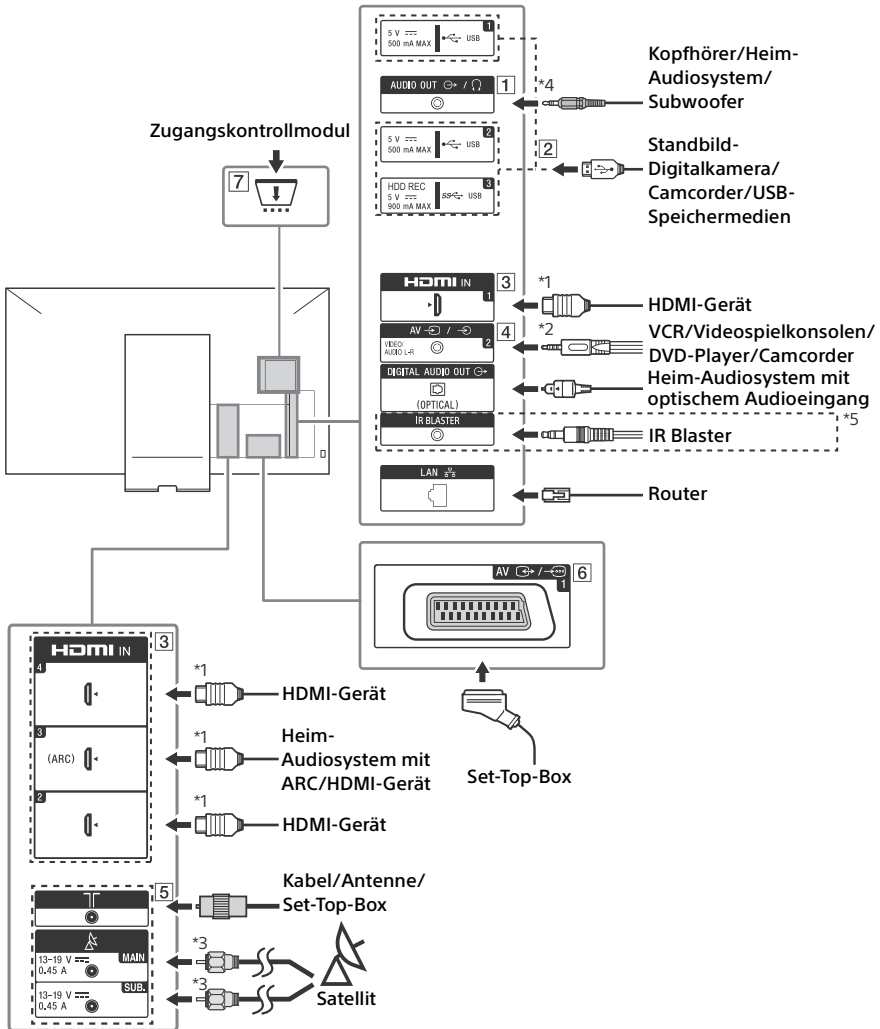
Nehmen Sie die aktuelle Sendung mit der USB HDD-Aufnahmefunktion auf.

TITLE LIST

Zeigen Sie die Titelliste an.

Anschlusschema

Weitere Informationen zu den Anschlüssen finden Sie in der Hilfe (Seite 2).



DE

1 AUDIO OUT *4

- Um den Ton des Fernsehgeräts über die angeschlossenen Geräte wiederzugeben, drücken Sie **HOME**. Wählen Sie [Einstellungen] → [Ton] → [Kopfhörer/Audioausgang] und dann das gewünschte Element.

2 **USB 1/2**, **USB 3 (HDD REC)***5

- Wenn Sie hier ein großes USB-Gerät anschließen, kann das die daneben angeschlossenen Geräte behindern.
- Wenn Sie ein großes USB-Gerät anschließen, schließen Sie es an die USB Buchse USB 1 an.

3 HDMI IN 1/2/3/4

- Wenn Sie ein digitales Audiosystem anschließen, das mit der Technologie Audio Return Channel (ARC) kompatibel ist, verwenden Sie HDMI IN 3. Andernfalls ist ein zusätzlicher Anschluss über DIGITAL AUDIO OUT (OPTICAL) notwendig.

4 **AV 2**

- Verwenden Sie für eine Composite-Verbindung das mitgelieferte Analogverlängerungskabel*5.

5 **(RF-Eingang)**, **(Satelliteneingang)**

- Anschlüsse für terrestrisch/Kabel und Satellit. Anschlusschritte: MAIN → Antenne → SUB.
- Was die SUB.-Buchse betrifft, stellen Sie diese Verbindung nur her, wenn Sie den Twin-Tuner-Modus verwenden (Ausnahme: Unicable EN50494).

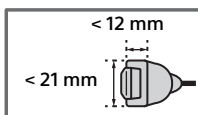
6 **AV 1**

- Schließen Sie hier ein SCART-Kabel an. Wenn Sie einen Analogdecoder anschließen, gibt der Tuner des Fernsehgeräts verschlüsselte Signale an den Decoder aus und der Decoder entschlüsselt die Signale, bevor sie ausgegeben werden.

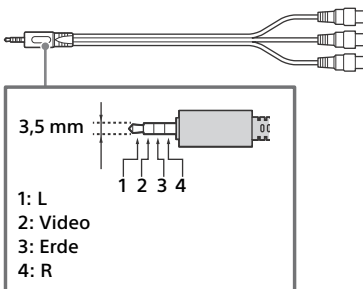
7 **CAM (Conditional Access Module)**

- Dieser Steckplatz bietet Zugang zu Pay-TV-Diensten. Erläuterungen dazu finden Sie in der Bedienungsanleitung im Lieferumfang des CAM.
- Stecken Sie die Smart-Card nicht direkt in den CAM-Steckplatz des Fernsehgeräts. Sie muss in das Conditional Access Module eingesetzt werden, das Sie von Ihrem autorisierten Händler erhalten haben.
- CAM wird in einigen Länder/Gegenden nicht unterstützt. Fragen Sie dazu einen autorisierten Händler.
- Möglicherweise wird eine CAM-Meldung angezeigt, wenn Sie nach der Wiedergabe von Internetvideos zu einem Digitalprogramm umschalten.

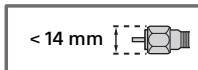
*1



*2



*3



*4 Unterstützt nur 3-polige Stereo-Minibuchse.

*5 Nur in bestimmten Regionen/Ländern bzw. für bestimmte Fernsehmodelle.

Montieren des Fernsehgeräts an der Wand

Die Bedienungsanleitung des Fernsehgeräts zeigt nur die Schritte zur Vorbereitung der Montage des Fernsehgeräts vor der Montage an der Wand.

An die Kunden:

Aus Gründen des Produktschutzes und aus Sicherheitsgründen empfiehlt Sony dringend, die Montage des Fernsehgeräts von Sony-Händlern oder lizenzierten Fachleuten durchführen zu lassen. Versuchen Sie nicht, es selbst zu montieren.

An Sony-Händler und -Fachleute:

Widmen Sie während der Montage, der regelmäßigen Wartung und der Überprüfung dieses Produkts Ihre volle Aufmerksamkeit der Sicherheit.

DE

Für die Montage dieses Produkts ist ausreichendes Fachwissen erforderlich, insbesondere um die Stärke der Wand zu bestimmen, die dem Gewicht des Fernsehgeräts standhalten kann. Achten Sie darauf, dass Sie die Befestigung des Produkts an der Wand Sony-Händlern oder lizenzierten Fachleuten überlassen, und achten Sie während der Montage ausreichend auf die Sicherheit. Sony haftet nicht für Schäden oder Verletzungen durch eine fehlerhafte Handhabung oder unsachgemäße Montage.

Verwenden Sie die Wandhalterung SU-WL450 (nicht mitgeliefert) (KD-65ZD9), um das Fernsehgerät an der Wand zu montieren.

Wenn Sie die Wandhalterung montieren, beachten Sie auch die Bedienungsanleitung und die Installationsanleitung im Lieferumfang der Wandhalterung.

Anmerkung

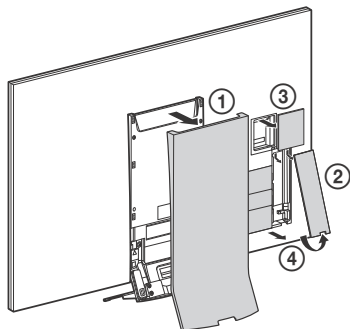
- Achten Sie darauf, die entfernten Schrauben an einem sicheren Ort aufzubewahren und sie von Kindern fernzuhalten.



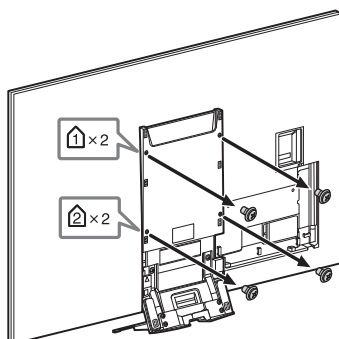
Anleitungen zur Montage der Wandhalterung für Ihr TV-Modell finden Sie auf der folgenden Website:
www.sony.eu/tv/wall-mount-bracket-manual

Nur KD-65ZD9

1 Entfernen Sie die seitliche, innere, obere und mittlere Abdeckung.



2 Entfernen Sie die Schrauben von der Rückseite des Fernsehgeräts.



Nur KD-75ZD9

Das werkseitig ausgelieferte Fernsehgerät kann mit einer Wandhalterung (nicht mitgeliefert) wie werkseitig ausgeliefert an der Wand befestigt werden.

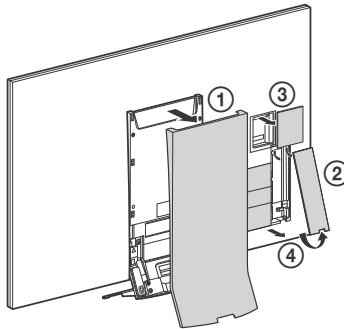
Bereiten Sie das Fernsehgerät für die Wandhalterung vor, bevor Sie die Kabelanschlüsse herstellen.

Zum Schutz des Produktes und aus Sicherheitsgründen empfiehlt Sony dringend, die Installation des Fernsehgeräts an der Wand von einem qualifizierten Techniker durchführen zu lassen. Versuchen Sie nicht, es selbst zu montieren.

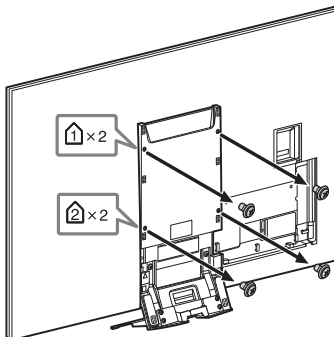
- Befolgen Sie die Anweisungen im Lieferumfang der Wandhalterung für Ihr Modell. Für die Montage des Fernsehgeräts ist ausreichendes Fachwissen erforderlich, insbesondere um die Stärke der Wand zu bestimmen, die dem Gewicht des Fernsehgeräts standhalten kann.
- Lagern Sie die nicht verwendeten Schrauben sowie den Tischständer an einem sicheren Ort, bis Sie den Tischständer anbringen möchten. Halten Sie die Schrauben von kleinen Kindern fern.

Nur KD-75ZD9

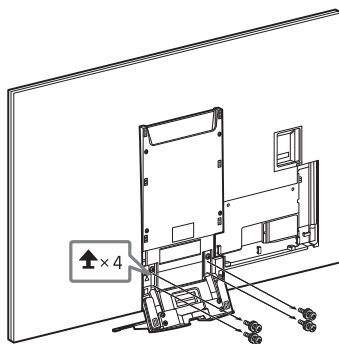
1 Entfernen Sie die seitliche, innere, obere und mittlere Abdeckung.



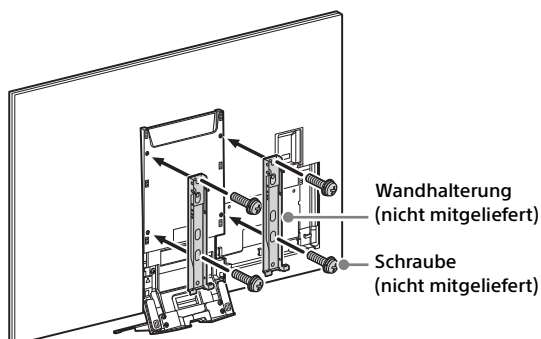
2 Entfernen Sie die Schrauben von der Rückseite des Fernsehgeräts.



3 Lösen sie den Tischständer vom fernsehgerät.



4 Befestigen Sie die Wandhalterung (nicht mitgeliefert) mit den Schrauben (nicht mitgeliefert).

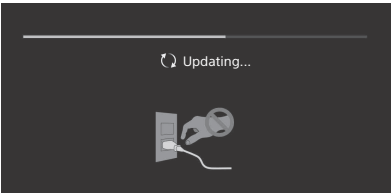


Anmerkung

- Wenn Sie einen elektrischen Schraubendreher benutzen, setzen Sie das Drehmoment bei etwa 1,5 N·m {15 kgf·cm} an.

Störungsbehebung

Damit die Software des Fernsehgeräts immer aktuell ist, müssen Sie die aktuellen Softwareinformationen über das digitale Sendesystem oder das Internet herunterladen, um die Software zu aktualisieren. Wählen Sie [Jetzt aktualis.], um eine Softwareaktualisierung zu starten. Die Beleuchtungs-LED blinkt weiß, während die Software aktualisiert wird. Der folgende Bildschirm mit der Meldung [Updating...] (Update läuft...) wird angezeigt, während die Software aktualisiert wird.



Trennen Sie während der Softwareaktualisierung nicht das Netzkabel. Andernfalls wird die Softwareaktualisierung möglicherweise nicht vollständig abgeschlossen, was zu einer Fehlfunktion der Software führen kann. Die Softwareaktualisierungen können bis zu 30 Minuten dauern. Wenn Sie die Software nicht automatisch aktualisieren möchten, drücken Sie **HOME** und wählen Sie [Hilfe] → [Systemsoftware-Aktualisierung] → [Automatischer Software-Download] → [Aus].

Wenn Sie das Fernsehgerät anschließen, lässt sich das Fernsehgerät möglicherweise eine Zeit lang nicht einschalten, auch wenn Sie die Einschalttaste auf der Fernbedienung oder am Fernsehgerät drücken, da es eine Zeit lang dauert, bis sich das System initialisiert hat. Warten Sie ungefähr eine Minute und versuchen Sie es dann erneut.

Wenn Sie das Gerät einschalten, indem Sie die Einschalttaste auf der Fernbedienung oder am Fernsehgerät drücken, dauert es eine Zeit lang, bis sich die Beleuchtungs-LED einschaltet und die Fernbedienung betriebsfähig ist.

Wenn die Beleuchtungs-LED rot blinkt, zählen Sie die Anzahl der Blinkvorgänge (die Intervallzeit beträgt drei Sekunden).

Wenn die Beleuchtungs-LED rot blinkt, setzen Sie den Fernseher zurück, indem Sie das Netzkabel zwei Minuten lang trennen. Schalten Sie den Fernseher dann ein.

Wenn das Problem weiterhin besteht, wenden Sie sich an Ihren Händler oder den Sony-Kundendienst und geben Sie an, wie häufig die Beleuchtungs-LED rot blinkt (die Intervallzeit liegt bei drei Sekunden). Trennen Sie das Netzkabel und informieren Sie Ihren Händler oder das Sony-Servicecenter.

Wenn die Beleuchtungs-LED nicht blinkt, überprüfen Sie die Punkte der folgenden Tabellen.

Sie können auch unter Störungsbehebung in der Hilfe nachschlagen oder eine Selbstdiagnose durchführen, indem Sie [Hilfe] → [Selbstdiagnose] auswählen. Wenn das Problem weiterhin besteht, lassen Sie das Fernsehgerät von einem qualifizierten Kundendiensttechniker warten.

Probleme und Lösungen

Es wird kein Bild angezeigt (Bildschirm ist dunkel) und es ist kein Ton zu hören.

- Prüfen Sie die Antennen- oder Kabelverbindung.
- Schließen Sie das Fernsehgerät an die Netzsteckdose an und drücken Sie \odot am Fernsehgerät oder auf der Fernbedienung.

Einige Programme können nicht eingestellt werden.

- Prüfen Sie die Antennen- oder Kabelverbindung.
- Das Satellitenkabel kann kurzgeschlossen sein oder es kann sich um Anschlussprobleme des Kabels handeln. Bitte überprüfen Sie das Kabel und den Anschluss und schalten Sie das Fernsehgerät mit dem Ein/Aus Schalter Aus und schalten es dann wieder Ein.
- Die von Ihnen eingegebene Frequenz ist außer Reichweite. Bitte wenden Sie sich an die zuempfangene Satellitensendeanstalt.

Es werden keine Kabelfernsehdienste (Sender) gefunden.

- Überprüfen Sie die Kabelverbindung bzw. die Tunerkonfiguration.
- Versuchen Sie [Autom. Digital-Suchlauf] durchzuführen, indem Sie [Antenne] statt [Kabel] auswählen.

Die Fernbedienung funktioniert nicht.

- Tauschen Sie die Batterien aus.

Sie haben das Passwort für [Kindersicherung (Sendungen)] vergessen.

- Geben Sie 9999 als PIN-Code ein. Aktualisieren Sie den PIN-Code, indem Sie [Einstellungen] → [Kindersicherung (Sendungen)] → [PIN-Code ändern] wählen.

Das Gehäuse des Fernsehgeräts erwärmt sich.

- Wenn das Fernsehgerät lange Zeit verwendet wird, erwärmt sich das Gehäuse des Fernsehgeräts.
Es fühlt sich möglicherweise heiß an, wenn Sie es mit der Hand berühren.

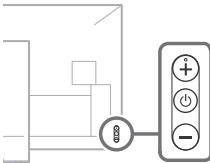
Eingefrorenes Audio oder Video, ein leerer Bildschirm, oder das Fernsehgerät spricht nicht auf die Tasten an Fernseher oder Fernbedienung an.

- Führen Sie einen einfachen Rücksetzvorgang des Fernsehgeräts aus, indem Sie das Netzkabel zwei Minuten lang abziehen und dann erneut einstecken.

Die Tasten , + und – sind auf dem Fernsehgerät nicht zu sehen.

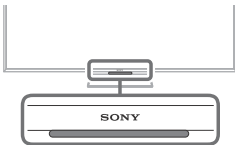
- Beachten Sie die Abbildung unten, um die Position der Tasten auf dem Fernsehgerät zu lokalisieren.

Rückseite des Fernsehgeräts



Die Beleuchtungs-LED ist aktiviert.


- Wenn Sie nicht möchten, dass die Beleuchtungs-LED leuchtet, können Sie sie deaktivieren.
Drücken Sie **HOME** und wählen Sie dann [Einstellungen] → [Beleuchtungs-LED] → [Aus].



Es kann über WPS keine Verbindung mit einem Wireless-Router hergestellt werden (Wi-Fi Protected Setup).

- Wenn Sie WEP-Sicherheit verwenden, wählen Sie [Einfach] → [Wi-Fi] → [Über Suchlaufliste verbinden]. Wählen Sie dann den Netzwerknamen (SSID), mit dem Sie eine Verbindung herstellen möchten.

Der erforderliche Netzwerkname kann in der Netzwerkconfiguration nicht gefunden werden.

- [[Manueller Eintrag]] auswählen und  zur Eingabe des Netzwerknamens drücken.

Technische Daten

TV-System

Bildschirmsystem

- LCD-Bildschirm (Flüssigkristallbildschirm),
- LED-Hintergrundbeleuchtung

Fernsehnorm

- Abhängig von Landes-/Bereichsauswahl/ Fernsehgerätemodell
- Analog: B/G, D/K, L, I
- Digital: DVB-T/DVB-C
- DVB-T2*
- Satellit*: DVB-S/DVB-S2

Farbsystem

- PAL, SECAM, NTSC3.58 (nur Video), NTSC4.43 (nur Video)

Kanalbereich

- Abhängig von Landes-/Bereichsauswahl/ Fernsehgerätemodell
- Analog: UHF/VHF/Kabel
- Digital: UHF/VHF/Kabel
- Satellit*: IF Frequenz 950-2.150 MHz

Tonausgänge

- 10 W + 10 W

Wireless-Technologie

- Protokoll IEEE802.11ac/a/b/g/n
- (Abhängig vom Land/der Region ist IEEE802.11ac möglicherweise nicht verfügbar.)
- Bluetooth Version 4.1

* Nicht alle Fernsehgeräte verfügen über DVB-T2- oder DVB-S/S2-Technologie oder Satellitenantennenanschluss.

Eingangs-/Ausgangsbuchsen

Antenne/Kabel

- 75 Ohm, externer Anschluss für VHF/UHF

Satellitenantenn

- Buchsenverbindung vom Typ F, 75 Ohm.
- DISeq1.0, LNB 13 V/18 V & 22 kHz Ton, Unicable EN50494.

AV 1

- 21-poliger Scart-Anschluss (CENELEC-Standard) mit Audio-/Videoeingang, RGB-Eingang und Audio-/Videoausgang für Fernsehsignale.

AV 2

- Video/Audio-Eingang (Minibuchse)

HDMI IN 1, 2, 3, 4 (unterstützen 4K-Auflösung, HDCP 2.2-kompatibel)

Video (2D):

- 4096 × 2160p (50, 60 Hz)*¹, *², 4096 × 2160p (24 Hz)*¹, 3840 × 2160p (50, 60 Hz)*², 3840 × 2160p (24, 25, 30 Hz), 1080p (30, 50, 60 Hz), 1080/24p, 1080i (50, 60 Hz), 720p (30, 50, 60 Hz), 720/24p, 576p, 576i, 480p, 480i, Computerformate

*¹ 3840 × 2160p wird angezeigt, wenn

4096 × 2160p eingespeist wird

*² Nur HDMI IN 2 / 3.

Video (3D) (nur 3D-kompatible Modelle):

- Frame Packing: 1080p (30Hz), 1080/24p, 1080i (50, 60Hz), 720p (30, 50, 60Hz), 720/24p
- Nebeneinander: 1080p (50, 60Hz), 1080/24p, 1080i (50, 60Hz), 720p (50, 60Hz)
- Untereinander: 1080p (30, 50, 60Hz), 1080/24p, 1080i (50, 60Hz), 720p (50, 60Hz)

Audio: 5,1-Kanal linear PCM: 32, 44,1, 48, 88,2, 96, 176,4 und 192 kHz, 16, 20 und 24 Bit, Dolby Digital, Dolby Digital Plus und DTS

ARC (Audio Return Channel: Audiorückkanal) (nur HDMI IN 3)

(zwei Kanäle, lineares PCM, Dolby Digital, Dolby Digital Plus, DTS)

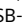
DIGITAL AUDIO OUT (OPTICAL)

Optische Digitalbuchse (zwei Kanäle, lineares PCM, Dolby Digital, DTS)

AUDIO OUT (Stereo-Minibuchse)

Kopfhörer, Audioausgang, Subwoofer

1, 2, 3 (HDD REC)*¹

USB-Geräteanschluss ( 3 USB-HDD-Gerät für REC-Funktion)

USB-Anschluss 1 und 2 unterstützen High-Speed-USB (USB2.0).

Der USB-Anschluss 3 unterstützt SuperSpeed-USB (USB3.0).



Einschub CAM (Zugangskontrollmodul)



LAN

10BASE-T/100BASE-TX-Anschluss (Je nach Betriebsumgebung des Netzwerks kann die Verbindungsgeschwindigkeit variieren.)

10BASE-T/100BASE-TX-Kommunikationsrate und Kommunikationsqualität können für dieses Fernsehgerät nicht garantiert werden.)

IR BLASTER *¹

Kabeleingang für IR Blaster (Miniklinke)

Sonstiges

Sonderzubehör

Wandhalterung: SU-WL450 (Nur KD-65ZD9)
Drahtloser Subwoofer: SWF-BR100
3D-Aktivbrille: TDG-BT500A



Betriebstemperatur

0 °C – 40 °C

Betriebsluftfeuchtigkeit

10 % – 80 % relative Luftfeuchtigkeit (nicht kondensierend)

Stromversorgung, Produktdatenblatt und anderes

Spannungsversorgung

Belastbarkeit: Eingang 220 V - 240 V
Wechselstrom, 50 Hz

Energieeffizienzklasse

KD-75ZD9: B
KD-65ZD9: B

Bildschirmgröße (Diagonale) (Ca.)

KD-75ZD9: 189,3 cm / 75 Zoll
KD-65ZD9: 163,9 cm / 65 Zoll

Stromverbrauch

im [Standard] Modus

KD-75ZD9: 259 W
KD-65ZD9: 210 W

im [Brillant] Modus

KD-75ZD9: 453 W
KD-65ZD9: 347 W

Durchschnittlicher Energieverbrauch im Jahr*²

KD-75ZD9: 359 kWh
KD-65ZD9: 291 kWh

Stromverbrauch im Standby-Betrieb*^{3,4}

0,50 W (27 W im Software-/EPG-
Aktualisierungsmodus)

Anzeigauflösung

3.840 Punkte (horizontal) × 2.160 Zeilen (vertikal)

Ausgangsleistung

USB 1/2: 5 V, $\overline{\text{---}}$, 500 mA MAX.
USB 3: 5 V, $\overline{\text{---}}$, 900 mA MAX.

Abmessungen (Ca.) (B × H × T)

mit Tischständer

KD-75ZD9: 168,4 × 104,7 × 27,8 cm
KD-65ZD9: 146,2 × 92,0 × 26,8 cm

ohne Tischständer

KD-75ZD9: 168,4 × 97,3 × 7,8 cm
KD-65ZD9: 146,2 × 84,7 × 7,8 cm

Gewicht (Ca.)

mit Tischständer

KD-75ZD9: 45,1 kg
KD-65ZD9: 35,7 kg

ohne Tischständer

KD-75ZD9: 41,3 kg
KD-65ZD9: 32 kg

*¹ Nur in bestimmten Regionen/Ländern bzw. für bestimmte Fernsehmodelle.

*² Der Energieverbrauch pro Jahr wurde basierend auf der Leistungsaufnahme des Fernsehgeräts bei einer Betriebsdauer von 4 Stunden täglich an 365 Tagen berechnet. Der tatsächliche Energieverbrauch hängt von der Verwendung des Fernsehgeräts ab.

*³ Die angegebene Leistungsaufnahme im Standby-Betrieb wird erreicht, nachdem das Fernsehgerät die notwendigen internen Prozesse abgeschlossen hat

*⁴ Die Leistungsaufnahme im Standbybetrieb steigt, wenn der Fernseher mit dem Netzwerk verbunden ist.

Anmerkung


- Entfernen Sie nicht die Kartenattrappe aus dem Einschub TV CAM (Zugangskontrollmodul), außer wenn Sie eine passende Smartcard in einem CAM einsetzen möchten.
- Die Verfügbarkeit des optionalen Zubehörs hängt vom Land/der Region/dem Fernsehmodell/der Lagerhaltung ab.
- Änderungen, die dem technischen Fortschritt dienen, bleiben vorbehalten.

Anmerkungen zu Funktionen für digitale Sender

- Alle Funktionen, die sich auf digitales Fernsehen (DVB) beziehen, funktionieren nur in Ländern und Gebieten, in denen digitale terrestrische Fernsehsignale im Standard DVB-T/DVB-T2 (MPEG-2 und H.264/MPEG-4 AVC) ausgestrahlt werden oder in denen ein Zugang zu DVB-C-kompatiblen Kabeldiensten (MPEG-2 und H.264/MPEG-4 AVC) existiert. Bitte erkundigen Sie sich bei Ihrem Fachhändler vor Ort, ob an Ihrem Wohnort DVB-T/DVB-T2-Signale empfangen werden können oder fragen Sie Ihren Kabelanbieter, ob dessen DVB-C-Kabeldienst mit dem Betrieb dieses Fernsehers kompatibel ist.
- Ihr Kabelanbieter kann für seine Dienste eine Gebühr oder die Anerkennung seiner Geschäftsbedingungen verlangen.
- Dieses Fernsehgerät erfüllt die DVB-T/DVB-T2- und DVB-C-Spezifikationen. Die Kompatibilität mit zukünftigen digitalen terrestrischen DVB-T/DVB-T2- und DVB-C-Signalen ist jedoch nicht garantiert.
- In manchen Ländern/Gebieten sind u. U. einige Funktionen für digitales Fernsehen nicht verfügbar, sodass die Möglichkeit besteht, dass das DVB-C-Kabelsignal bei einigen Anbietern nicht einwandfrei funktioniert.

Information zu Warenzeichen

- Die Begriffe HDMI und HDMI High-Definition Multimedia Interface und das HDMI-Logo sind Markenzeichen oder eingetragene Markenzeichen von HDMI Licensing LLC in den Vereinigten Staaten und anderen Ländern.
- In Lizenz von Dolby Laboratories gefertigt. Dolby, Dolby Audio und das Doppel-D-Symbol sind Warenzeichen von Dolby Laboratories.
- „BRAVIA“ und BRAVIA sind Warenzeichen der Sony Corporation.
- Gracenote, Gracenote eyeQ, Gracenote VideoID, Gracenote Video Explore, das Gracenote-Logo und das Gracenote-Firmenlogo sowie das „Powered by Gracenote“-Logo sind entweder eingetragene Marken oder Marken von Gracenote in den Vereinigten Staaten und/oder anderen Ländern.
- Opera® Devices SDK from Opera Software ASA. Copyright 1995-2015 Opera Software ASA. All rights reserved.
- Wi-Fi, Wi-Fi Direct, Miracast, Wi-Fi Protected Setup und das Wi-Fi CERTIFIED-Logo sind Marken oder eingetragene Marken von Wi-Fi Alliance.
- Die DTS-Patente finden Sie unter <http://patents.dts.com>. Hergestellt unter Lizenz von DTS, Inc. DTS, das Symbol, & DTS und das Symbol zusammen sind eingetragene Markenzeichen und DTS Digital Surround ist ein Markenzeichen von DTS, Inc. © DTS, Inc. Alle Rechte vorbehalten.
- QuickSet und das QuickSet-Logo sind Marken von Universal Electronics Inc. Portions © UEI 2000-2015
- Die Bluetooth® Wortmarke und -Logos sind eingetragene Marken, die Eigentum der Bluetooth SIG, Inc. sind und von der Sony Corporation unter Lizenz verwendet werden. Andere Markenzeichen und Markennamen sind Eigentum der jeweiligen Rechteinhaber.
- DiSEqC™ ist ein Warenzeichen der EUTELSAT. Dieses Fernsehgerät unterstützt DiSEqC 1.0. Dieses Fernsehgerät eignet sich nicht zum Steuern von Motorantennen.

- TUXERA ist eine eingetragene Marke von Tuxera Inc. in den USA und anderen Ländern.
- Das USB-IF SuperSpeed USB-Dreizack-Logo ist eine eingetragene Marke von USB Implementers Forum, Inc. 

Índice

AVISO IMPORTANTE	2
Informações de segurança	3
Precauções	5
Peças e Controlos	7
Controlos e Indicadores	7
Utilizar o Telecomando	8
Descrição das Partes do Telecomando	8
Diagrama de Ligações	10
Instalar o televisor na parede	12
Apenas KD-75ZD9	14
Resolução de problemas	16
Problemas e soluções	16
Características técnicas	17

Introdução

Obrigado por escolher este produto Sony. Antes de utilizar o televisor, leia este manual com atenção e guarde-o para futuras consultas.

Nota

- Antes de utilizar o televisor, leia as "Informações de segurança" (página 3).
- As imagens e ilustrações utilizadas no Guia de configuração e neste manual destinam-se a ser utilizadas apenas como referência e podem ser diferentes do produto real.

Localização do Guia de Configuração

O Guia de Configuração encontra-se em cima da bolsa de ar, dentro da embalagem do televisor.

Guia de Ajuda

A funcionalidade Ajuda disponibiliza muita informação acerca do seu televisor. Para utilizar a funcionalidade Ajuda, carregue em **HELP** no telecomando. Pode encontrar como fazer e resolução de problemas a partir da lista ou através de pesquisa por voz ou palavra-chave. Selecione [Guia de ajuda] no Menu de ajuda para ver o manual. Se ligar o televisor à Internet, a funcionalidade Ajuda e a informação serão atualizadas.

Localização da etiqueta de identificação

As etiquetas com o N.º de Modelo, a Data de Fabrico (ano/mês) e a classificação de Alimentação encontram-se na parte traseira do televisor ou na embalagem. Podem ser encontrados removendo a tampa central.

AVISO

PARA EVITAR
INCÊNDIOS,

MANTENHA VELAS E OUTRAS
FONTES DE CHAMA ABERTA
SEMPRE AFASTADAS DESTE
PRODUTO.



AVISO IMPORTANTE

Este produto foi fabricado por ou em nome da Sony Corporation, 1-7-1 Konan Minato-ku Tokyo, 108-0075 Japão. As questões relativas à conformidade dos produtos com base na legislação da União Europeia devem ser dirigidas ao representante autorizado, Sony Belgium, bijkantoor van Sony Europe Limited, Da Vincilaan 7-D1, 1935 Zaventem, Bélgica. Para quaisquer assuntos de serviço ou garantia, consulte os endereços fornecidos nos documentos de serviço ou de garantia.

Aviso para Sinal Sem Fios

Por este meio, a Sony Corporation declara que esta unidade está conforme com os requisitos essenciais e outras disposições da Diretiva 1999/5/CE.

Para mais informações, por favor consulte o seguinte URL:
<http://www.compliance.sony.de/>

Nota para os clientes: as seguintes informações apenas se aplicam a equipamento comercializado em países que aplicam as diretivas da UE.



O sistema sem fios de televisor pode ser utilizado nos seguintes países:

AT, BE, HR, CY, CZ, DK, EE, FI, FR, DE, GR, HU, IE, IT, LV, LT, LU, MT, NL, PL, PT, SK, SI, ES, SE, GB, IS, LI, NO, CH, BG, RO, TR, AL, BA, MK, MD, RS, ME, Kosovo

Este equipamento pode ser utilizado noutros países não europeus.

Informações de segurança

ATENÇÃO

As bateria não podem ser expostas a calor excessivo, como à luz do sol, perto do fogo ou situações semelhantes.

Nunca coloque o televisor num local instável. O televisor pode cair, causando ferimentos pessoais ou morte. Muitos ferimentos, em particular nas crianças, podem ser evitados tomando simples precauções como:

- Utilizar caixas ou bases recomendadas pelo fabricante do televisor.
- Utilizar apenas mobiliário que consiga suportar em segurança o televisor.
- Assegurar que o televisor não se encontra na extremidade do mobiliário de suporte.
- Não colocar o televisor em mobiliário alto (por exemplo, armários ou estantes) sem fixar ambos, o mobiliário e o televisor, a um suporte adequado.
- Não colocar o televisor com panos ou outros materiais que fiquem entre o televisor e o mobiliário de suporte.
- Educar as crianças para os perigos de subir ao mobiliário para alcançar o televisor ou os comandos.

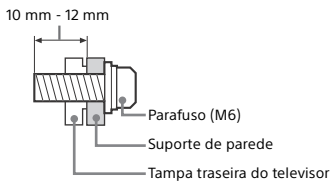
Se o seu televisor está a ser guardado e mudado de sítio, devem ser aplicadas as mesmas considerações.

Instalação/Programação

Instale e utilize o televisor conforme as instruções abaixo para evitar todo o risco de incêndio, choque elétrico ou avaria e/ou feridas.

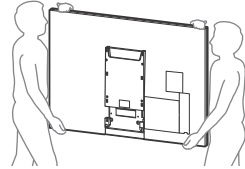
Instalação

- O televisor deve ser instalado perto de uma tomada de corrente elétrica facilmente acessível.
 - Coloque o televisor numa superfície nivelada e estável, para evitar que caia e provoque ferimentos pessoais ou danos no produto.
 - Instale o televisor num local onde não possa ser puxado, empurrado ou derrubado.
 - Só técnicos de assistência qualificadas devem realizar as instalações de suporte de parede.
 - Por razões de segurança, recomendamos fortemente que utilize acessórios da Sony, a incluir:
 - Suporte de parede
 - SU-WL450 (apenas KD-65ZD9)
 - Certifique-se de que utiliza os parafusos fornecidos com o suporte de parede quando instalar o suporte de parede no televisor. Os parafusos fornecidos têm a dimensão indicada pela ilustração quando medidos a partir da superfície de fixação do suporte de parede.
- O diâmetro e o comprimento dos parafusos são diferentes dependendo do modelo de Suporte para montagem na parede. A utilização de parafusos diferentes dos fornecidos pode provocar avarias internas no televisor ou fazer com que caia, etc.



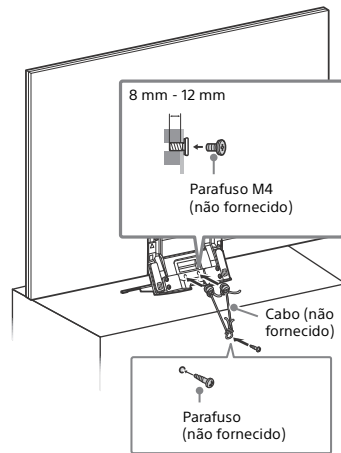
Transporte

- Antes de transportar o televisor, desligue todos os cabos.
- São necessárias duas ou mais pessoas para transportar um televisor de tamanho grande.
- Ao transportar manualmente o televisor, segure-o conforme é apresentado abaixo. Não faça pressão sobre o painel LCD nem sobre a moldura em redor do ecrã.



- Não exponha o televisor a choques ou vibrações excessivas durante o transporte.
- Se tiver que transportar o televisor ou levá-lo para reparações, utilize a caixa e os materiais de embalagem originais.

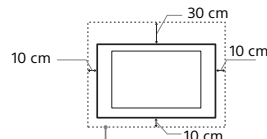
Prevenir quedas



Ventilação

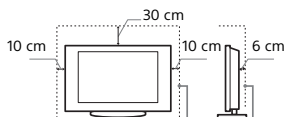
- Nunca tape os orifícios de ventilação nem introduza nenhum objeto na caixa.
- Deixe espaço à volta do televisor como mostrado abaixo.
- Recomendamos fortemente que utilize o suporte para montagem na parede da Sony para permitir uma circulação de ar adequada.

Instalação na parede



Deixe pelo menos este espaço à volta do televisor.

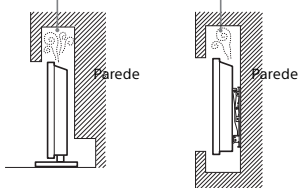
Instalação com base



Deixe pelo menos este espaço à volta do televisor.

- Para assegurar uma ventilação adequada e evitar a acumulação de sujidade ou poeira:
 - Não instale o televisor em posição horizontal, às avessas, para trás ou de lado.
 - Não coloque o televisor numa estante, num tapete, numa cama ou num armário.
 - Não tape o televisor com panos, por exemplo, cortinas nem com outros objetos, como jornais, etc.
 - Não instale o televisor como mostrado abaixo.

Circulação de ar bloqueada.



Cabo de alimentação

Manipule o cabo de alimentação e a tomada da seguinte maneira para evitar todo o risco de incêndio, choque elétrico ou avaria e/ou feridas:

- Utilize apenas um cabo de alimentação fornecido pela Sony e não por outros fornecedores.
- Introduza a ficha na tomada até ao fim.
- Este televisor funciona apenas com corrente alterna de 220 V - 240 V.
- Por motivos de segurança, desligue o cabo de alimentação e evite que os seus pés fiquem entre os cabos quando efetuar as ligações.
- Desligue o cabo de alimentação da tomada elétrica antes de trabalhar com o televisor ou de deslocá-lo.
- Afaste o cabo de alimentação de fontes de calor.
- Desligue a ficha e limpe-a regularmente. Se a ficha estiver húmida e coberta de pó, o isolamento pode ficar danificado, o que pode provocar um incêndio.

Nota

- Não utilize o cabo de alimentação fornecido em qualquer outro equipamento.
- Não entale, dobre ou torça o cabo à força. Os fios principais podem ficar descarnados ou ser cortados.
- Não modifique o cabo de alimentação.
- Não coloque objetos pesados em cima do cabo de alimentação.
- Nunca puxe pelo próprio cabo de alimentação quando o desligar.
- Não ligue muitos aparelhos à mesma tomada.
- Não utilize uma tomada de corrente que não esteja bem presa à parede.

Utilização proibida

Não instale/utilize o televisor em locais, ambientes ou situações como os listados abaixo, ou, caso contrário, o televisor pode funcionar mal e provocar um incêndio, choque elétrico, avaria e/ou feridas.

Localizações:

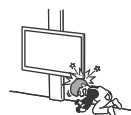
- Ao ar livre (sob a luz solar direta), perto do mar, num navio ou outra embarcação, dentro de um veículo, em instituições médicas, locais instáveis, perto de água, chuva, humidade ou fumo.

Ambientes:

- Locais quentes, húmidos ou com muito pó; onde possam entrar insetos; onde possa estar sujeito a vibrações mecânicas, perto de objetos de fogo (velas, etc.). O televisor não deve ser exposto à água ou salpicos e não devem ser colocados quaisquer objetos que contenham líquidos, como por exemplo vasos, em cima do televisor.

Situações:

- Utilize o televisor quando tiver as mãos molhadas, com a tampa retirada, ou com acessórios não recomendados pelo fabricante. Desligue o televisor da tomada de corrente e da antena durante as trovoadas.
- Instalar o televisor de modo a ficar saliente para um espaço aberto. Poderão ocorrer ferimentos ou danos provocados pelo facto de uma pessoa ou objeto embater no televisor.



- Colocar o televisor num local húmido ou poeirento ou numa divisão onde existam vapores ou fumos oleosos (perto de fogões ou humidificadores). Poderá ocorrer incêndio, choque elétrico ou deformação.
- Instalar o televisor em locais sujeitos a temperaturas extremas, como locais expostos à luz solar direta ou perto de aquecedores ou saídas de ar quente. O televisor poderá sobreaquecer nessa situação, o que pode causar a deformação da caixa e/ou uma avaria do televisor.



- Se o televisor for colocado no balneário de uma piscina pública ou estância termal, o televisor poderá ficar danificado pelo enxofre presente no ar, etc.



- Para uma melhor qualidade de imagem, não exponha o ecrã a iluminação ou luz solar direta.
- Evite deslocar o televisor de um local frio para um local quente. As variações de temperatura do local podem provocar a condensação da humidade. Isto pode fazer como que o televisor apresente uma imagem de fraca qualidade e/ou fraca cor. Se isto acontecer, deixe que a humidade se evapore completamente antes de ligar o televisor.

Peças danificadas:

- Não lance nada contra o televisor. O vidro do ecrã pode partir-se devido ao impacto e provocar ferimentos graves.
- Se a superfície do televisor rachar, não toque nela até ter desligado o cabo de alimentação. Além do mais, isso pode causar um choque elétrico.

Quando não estiver a ser utilizado

- Se não vai utilizar o televisor durante vários dias, deve desligá-lo da alimentação por razões ambientais e de segurança.
- Como o televisor não está desligado da alimentação quando está apenas em estado de desligado, retire a ficha da tomada para desligar o televisor completamente.
- Alguns televisores possuem funções que precisam que o televisor fique no modo de espera (standby) para funcionarem corretamente.

Para as crianças

- Não deixe as crianças subir para o televisor.
- Mantenha os acessórios fora do alcance das crianças, para que não possam ser engolidos por engano.

Se ocorrerem os seguintes problemas...

Desligue o televisor e retire a ficha da tomada imediatamente se algum dos seguintes problemas ocorrer.

Dirija-se a um agente ou centro de assistência Sony para enviar o televisor a um técnico de assistência qualificado para verificação.

Quando:

- O cabo de alimentação estiver danificado.
- A tomada de corrente não estiver bem presa à parede.
- O televisor estiver danificado por ter caído, ter sofrido uma pancada ou ter sido lançada alguma coisa contra ele.
- Se algum líquido ou objeto sólido penetrar nos orifícios da caixa.

Acerca da Temperatura do televisor LCD

Quando o televisor LCD é utilizado durante um período de tempo prolongado, a área em volta do painel aquece. Poderá sentir a superfície quente ao tocar com a mão.

Precauções

Ver televisão

- Veja televisão com uma luz ambiente adequada, pois uma luz fraca ou ver televisão durante um longo período de tempo prejudica a vista.
- Se utilizar auscultadores, não regule o volume para um nível demasiado alto, para evitar lesões auditivas.

(Apenas modelos compatíveis com 3D)

- Alguns utilizadores podem sentir algum desconforto (esforço visual, fadiga ou náuseas) aquando da visualização de imagens de vídeo 3D ou quando jogarem jogos estereoscópicos 3D. A Sony recomenda que todos os utilizadores façam pausas regulares quando visualizam imagens de vídeo 3D ou quando jogam jogos estereoscópicos 3D. A duração e a frequência das pausas necessárias irão variar de pessoa para pessoa. Deve decidir o que é melhor para si. Se sentir algum desconforto, deve parar de visualizar imagens de vídeo 3D ou de jogar jogos estereoscópicos 3D até deixar de sentir esse desconforto; consulte um médico se necessário. Deve também consultar (i) o manual de instruções de quaisquer outros dispositivos ou acessórios utilizados com este televisor e (ii) o nosso website (www.sony.eu/support) para obter as informações mais recentes. A visão das crianças (especialmente crianças de idade inferior a seis anos) ainda se encontra em desenvolvimento. Consulte um médico (como, por exemplo, um pediatra ou um oftalmologista) antes de permitir que os seus filhos visualizem imagens de vídeo 3D ou joguem jogos estereoscópicos 3D. Os adultos devem vigiar as crianças para assegurar que estas seguem as recomendações indicadas acima.
- Não utilize, guarde ou deixe os Óculos 3D ou a pilha perto de uma chama ou em locais com uma temperatura elevada, como, por exemplo, sob a luz solar direta ou num automóvel exposto ao sol.

Ecrã LCD

- Embora o ecrã LCD seja fabricado com uma tecnologia de alta precisão e 99,99 % ou mais dos pixels sejam efetivos, podem aparecer sistematicamente pontos pretos ou pontos brilhantes de luz (vermelha, azul ou verde). Não se trata de uma avaria, mas sim de uma característica da estrutura do LCD.
- Não carregue nem risque o filtro frontal, nem coloque objetos em cima do televisor. Pode danificar o ecrã LCD ou a imagem ficar irregular.
- Se utilizar o televisor num local frio, as imagens podem ficar escuras ou com manchas. Não se trata de uma avaria. Este fenómeno desaparece logo que subir a temperatura.
- Se visualizar imagens fixas continuamente, pode produzir-se uma imagem fantasma. Essa imagem desaparece pouco depois.
- Durante a utilização do televisor, o ecrã e a caixa aquecem. Isso não é sinónimo de avaria.

- O ecrã LCD contém uma pequena quantidade de cristais líquidos. Para se desfazer deles, cumpria as regulamentações e imposições locais.

Utilizar e limpar o ecrã/a caixa do televisor

Desligue o cabo de alimentação que liga o televisor à tomada de corrente elétrica antes de limpar.

Para evitar a degradação do material ou a degradação do revestimento do ecrã, respeite as seguintes precauções.

- Limpe o pó do ecrã/da caixa com cuidado com um pano de limpeza macio. Se não conseguir limpar bem o pó, humedecça ligeiramente um pano macio numa solução de detergente suave.
- Nunca pulverize água ou detergente diretamente sobre o televisor. Pode pingar para a base do ecrã ou para as peças exteriores e infiltrar-se no televisor, podendo causar danos no mesmo.
- Não utilize esfregões abrasivos, líquidos de limpeza alcalinos/ácidos, pós de limpeza ou solventes voláteis, como álcool, benzina, diluente ou inseticida. Se utilizar este tipo de materiais ou mantiver um contacto prolongado com materiais de borracha ou vinil danifica a superfície do ecrã e o material da caixa.
- Não toque no televisor se as suas mãos estiverem cobertas com alguma substância química, como creme de mãos ou protetor solar.
- É recomendado passar periodicamente o aspirador pelos orifícios de ventilação para assegurar uma ventilação adequada.
- Quando ajustar o ângulo do televisor, mova-o lentamente de forma a impedir que o televisor se desloque ou se separe da base.



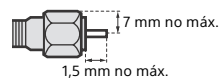
PT

Equipamento opcional

- Coloque os componentes opcionais ou qualquer equipamento que emita radiação eletromagnética longe do televisor. Caso contrário, pode aparecer distorção da imagem e/ou som com ruído.
- Este equipamento foi testado e verificou-se que cumpre os limites estabelecidos pela Diretiva EMC, utilizando um cabo de sinal de ligação com menos de 3 metros.

Recomendação da ficha do tipo F

A projeção do cabo interno a partir da parte de ligação deve ser inferior a 1,5 mm.



(Desenho de referência da ficha do tipo F)

Função Sem Fios da unidade

- Não utilize esta unidade na proximidade de equipamentos médicos (pacemakers, etc.), pois pode provocar uma avaria nesses equipamentos.
- Embora esta unidade transmita/receba sinais codificados, esteja atento à possibilidade de interceção não autorizada. Não nos responsabilizamos por problemas resultantes desse facto.

Cuidados ao manusear o telecomando

- Respeite a polaridade correta quando colocar as pilhas.
- Não use tipos de pilhas diferentes, nem misture pilhas novas com pilhas usadas.
- Deite as pilhas fora respeitando as leis de proteção ambiental. Algumas regiões podem ter regulamentações acerca da eliminação de pilhas. Aconselhe-se junto das autoridades locais.
- Utilize o telecomando com cuidado. Não entorne líquidos sobre o telecomando nem o pise ou deixe cair.
- Não coloque o telecomando num local perto de uma fonte de calor, num local exposto à luz solar direta ou numa sala húmida.

Eliminação do televisor



Tratamento de Equipamentos Elétricos e Eletrônicos no final da sua vida útil (Aplicável na União Europeia e em países Europeus com sistemas de recolha seletiva de resíduos)

Este símbolo, colocado no produto ou na sua embalagem, indica que este não deve ser tratado como resíduo urbano indiferenciado. Deve sim ser colocado num ponto de recolha destinado a resíduos de equipamentos elétricos e eletrónicos. Assegurando-se que este produto é corretamente depositado, irá prevenir potenciais consequências negativas para o ambiente bem como para a saúde, que de outra forma poderiam ocorrer pelo mau manuseamento destes produtos. A reciclagem dos materiais contribuirá para a conservação dos recursos naturais. Para obter informação mais detalhada sobre a reciclagem deste produto, por favor contacte o município onde reside, os serviços de recolha de resíduos da sua área ou a loja onde adquiriu o produto.

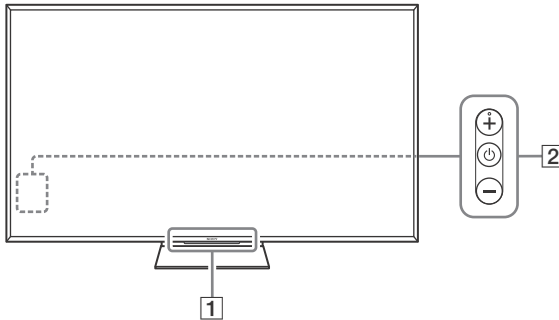


Tratamento de pilhas no final da sua vida útil (Aplicável na União Europeia e em países Europeus com sistemas de recolha seletiva de resíduos)

Este símbolo, colocado na pilha ou na sua embalagem, indica que estes produtos não devem ser tratados como resíduos urbanos indiferenciados. Em determinadas pilhas este símbolo pode ser usado em combinação com um símbolo químico. Os símbolos químicos para o mercúrio (Hg) ou chumbo (Pb) são adicionados se a pilha contiver mais de 0,0005 % em mercúrio ou 0,004 % em chumbo. Devem antes ser colocados num ponto de recolha destinado a resíduos de pilhas e acumuladores. Assegurando-se que estas pilhas são corretamente depositadas, irá prevenir potenciais consequências negativas para o ambiente bem como para a saúde, que de outra forma poderiam ocorrer pelo mau manuseamento destas pilhas. A reciclagem dos materiais contribuirá para a conservação dos recursos naturais. Se, por motivos de segurança, desempenho ou proteção de dados, os produtos necessitarem de uma ligação permanente a uma pilha integrada, esta só deve ser substituída por profissionais qualificados. Acabado o período de vida útil do aparelho, coloque-o no ponto de recolha de produtos elétricos/ eletrónicos de forma a garantir o tratamento adequado da bateria integrada. Para as restantes pilhas, por favor, consulte as instruções do equipamento sobre a remoção da mesma. Deposite a bateria num ponto de recolha destinado a resíduos de pilhas e baterias. Para informações mais detalhadas sobre a reciclagem deste produto, por favor contacte o município onde reside, os serviços de recolha de resíduos da sua área ou a loja onde adquiriu o produto.

Peças e Controlos

Controlos e Indicadores



1 Sensor do telecomando*1 / Sensor de luz*1 / Iluminação LED / Transmissor de Sincronização 3D*1*2

A iluminação LED acende ou pisca de acordo com o estado do televisor.

- Branco
Quando ligar o televisor/modo sem imagem/atualização de software, etc.
- Ciano
Quando estabelecer uma ligação sem fios com um dispositivo móvel.
- Cor-de-rosa*2
Modo de gravação.
- Âmbar
O temporizador está programado.

2 ⏻ (Alimentação) / + / -

Quando o televisor estiver desligado,
Carregue ⏻ para ligar.

Quando o televisor estiver ligado,
Carregue sem soltar ⏻ para desligar.
Carregue em ⏻ repetidamente para alterar a função e, em seguida, carregue no botão + ou - para:

- Ajustar o volume
- Selecionar o canal
- Selecionar a fonte de entrada do televisor

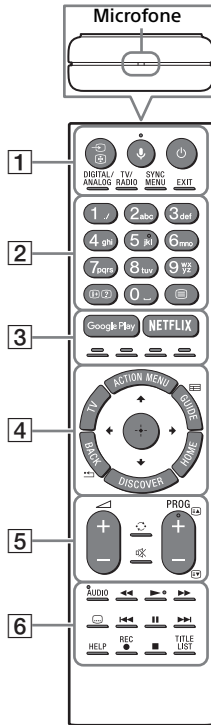
*1 Não colocar nada perto do sensor.

*2 Apenas em determinadas regiões/países/modelos de televisor.

Utilizar o Telecomando

Descrição das Partes do Telecomando

A forma, localização, disponibilidade e função do botão do telecomando pode variar, dependendo do região/país/modelo de televisor.



- 1** (Seleção de entrada/Fixar teletexto)
No modo de televisão: Apresenta e seleciona a fonte de entrada.
No modo de Teletexto: Fixar a página atual.

(Microfone)
Utilize a função de voz. (p. ex., procure vários conteúdos por voz.)

(Televisor em modo de espera)
Ligar ou desligar o televisor (modo de espera).

DIGITAL/ANALOG

Alternar entre o modo digital e analógico.

TV/RADIO

Alternar entre emissões de TV ou RADIO.

SYNC MENU

Apresentar o menu BRAVIA Sync.

EXIT

Regressar ao ecrã anterior ou sair do menu. Quando está disponível um serviço de Aplicação Interativa, carregue para sair do serviço.

2 Botões numéricos

/ (Revelação de Informação/ Teletexto)

Apresentar informações.

(Teletexto)

Apresentar informações de teletexto.

3 Google Play

Aceder ao serviço online "Google Play".

NETFLIX (Apenas em determinadas regiões/países/modelos de televisor)

Aceder ao serviço online "NETFLIX".

Botões coloridos

Executar funções correspondentes nesse momento.

4 ACTION MENU

Apresentar uma lista de funções contextuais.

TV

- Mudar para um canal de televisão ou para a emissão de outras aplicações.
- Ligue o televisor para exibir o canal de TV ou entrada.

GUIDE /

Apresentar o guia de programas digital.

BACK /

Voltar ao ecrã anterior.

HOME

Mostrar o Menu Inicial do televisor.

DISCOVER

Aceder à Barra de Conteúdos para pesquisar conteúdos.

(Introduzir/Selecionar item)

5 +/- (Volume)

Ajustar o volume.

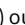
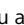
(Saltar)

Saltar para a frente e para trás entre dois canais ou entradas. O televisor alterna entre o canal ou entrada atual e o último canal ou entrada selecionada.

(Sem som)

Cortar o som. Carregar novamente para restaurar o som.

PROG +/- / /

No modo de televisão: Selecionar o canal.
No modo de Teletexto: Selecionar a página seguinte () ou anterior ()

6 AUDIO

Mudar o idioma do programa que está a ser visualizado nesse momento.

(Configurar legendas)

Ligar ou desligar as legendas (quando a funcionalidade está disponível).



Agir sobre conteúdos multimédia no televisor e no dispositivo compatível com BRAVIA Sync que esteja ligado.

HELP

Apresentar Menu de Ajuda. O Guia de Ajuda pode ser consultado a partir daqui.

REC

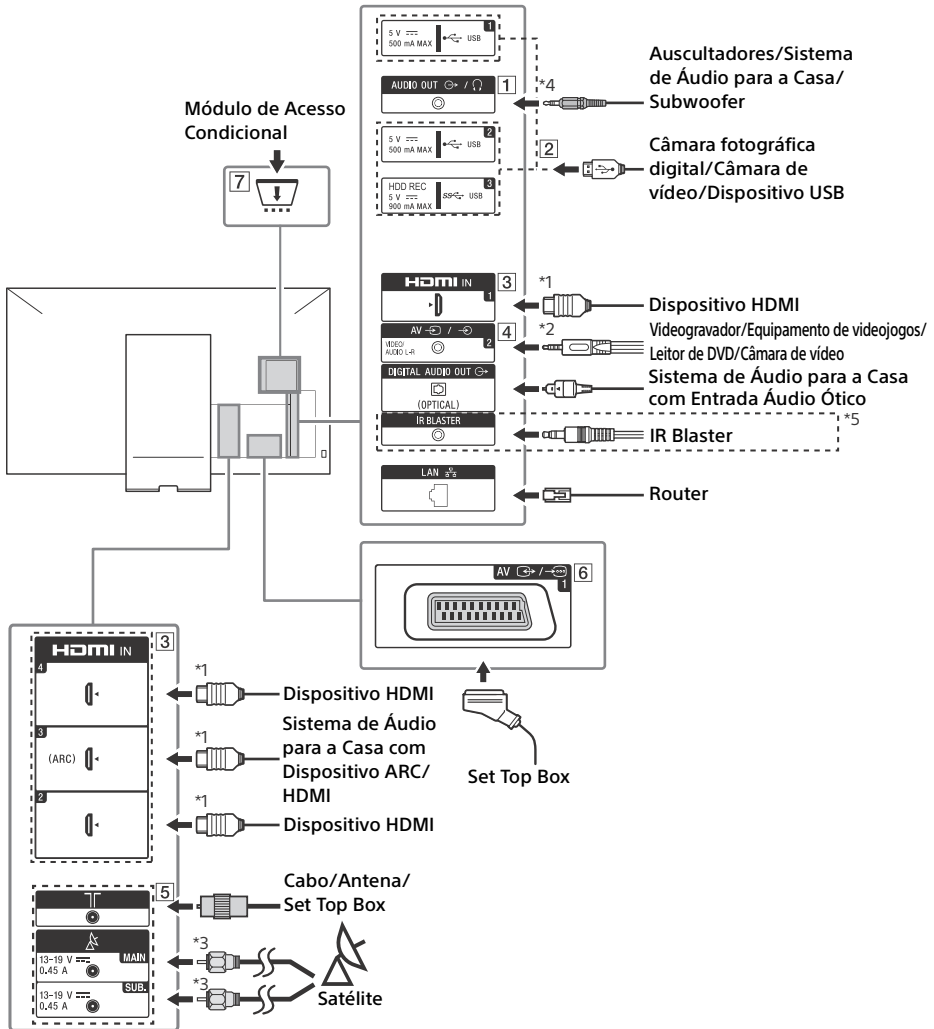
Gravar o programa atual com a função de gravação USB HDD.

TITLE LIST

Apresentar a lista de títulos.

Diagrama de Ligações

Para mais informações acerca das ligações, consulte o Guia de ajuda (página 2).



1 AUDIO OUT *4

- Para ouvir o som do televisor através do equipamento ligado, carregue em **HOME**. Selecione [Definições] → [Som] → [Saída de Áudio/Auscultador] e em seguida selecione o item pretendido.

2 **USB 1/2**, **USB 3 (HDD REC)*5**

- Ligar um grande dispositivo USB pode interferir com outros dispositivos ligados junto do mesmo.
- Ao ligar um grande dispositivo USB, ligue à tomada USB 1.

3 **HDMI IN 1/2/3/4**

- Se ligar um sistema de áudio digital que seja compatível com tecnologia Audio Return Channel (ARC), utilize a HDMI IN 3. Caso contrário, é necessária uma ligação adicional com DIGITAL AUDIO OUT (OPTICAL).

4 **AV 2**

- Para uma ligação composta, utilize o cabo de extensão analógico*5 fornecido.

5 **(Entrada RF)**, **(Entrada satélite)**

- Ligações para antena terrestre/cabo e satélite. Passos da ligação: MAIN → Antena → SUB.
- Para tomada SUB., ligue apenas quando estiver a usar o modo de sintonizador duplo para o Cabo de Distribuição Único EN50494.

6 **AV 1**

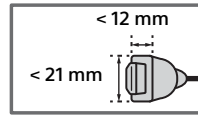
- Ligue com um cabo SCART. Ao ligar um decodificador analógico, o sintonizador de televisão emite sinais codificados para o decodificador e este decodifica os sinais antes de os emitir.

7 **CAM (Módulo de Acesso Condicional)**

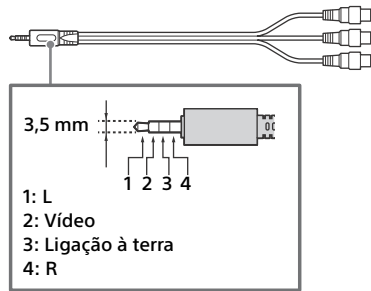
- Permite o acesso a serviços de televisão pagos. Para mais informações, consulte o manual de instruções fornecido com o CAM.
- Não introduza o smart card diretamente na ranhura CAM do televisor. Tem de ser introduzido no Módulo de Acesso Condicional fornecido pelo seu agente autorizado.
- O CAM não é suportado em todos os países/regiões. Verifique com o seu agente autorizado.

- Pode aparecer uma mensagem do CAM quando muda para um programa digital depois de utilizar vídeo Internet.

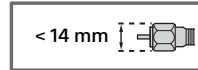
*1



*2



*3



*4 Compatível apenas com cabo Mini-tomada estéreo de 3-pólos.

*5 Apenas em determinadas regiões/países/modelos de televisor.

Instalar o televisor na parede

Este manual de instruções do televisor mostra apenas os passos de preparação do televisor, antes de o instalar na parede.

Para os clientes:

Para proteção do produto e por razões de segurança, a Sony recomenda vivamente que a instalação do seu televisor seja efetuada por agentes Sony ou contratantes licenciados. Não tente instalá-lo por si próprio.

Para os agentes e contratantes da Sony:

Preste total atenção às medidas de segurança durante a instalação, manutenção periódica e análise deste produto.

É necessária uma formação técnica adequada para instalar este produto, especialmente para determinar a resistência da parede para suportar o peso do televisor. Certifique-se de que a instalação deste produto na parede é efetuada por agentes Sony ou por contratantes licenciados e preste atenção às medidas de segurança durante a instalação. A Sony não se responsabiliza por quaisquer danos ou ferimentos causados pela utilização indevida ou instalação incorreta.

Utilize o suporte de parede SU-WL450 (não fornecido) (KD-65ZD9) para instalar o televisor na parede. Ao instalar o suporte de parede, consulte também as instruções de funcionamento e o guia de instalação fornecidos com o suporte de parede.

Nota

- Certifique-se de que guarda os parafusos retirados num local seguro, mantendo-os afastados de crianças.

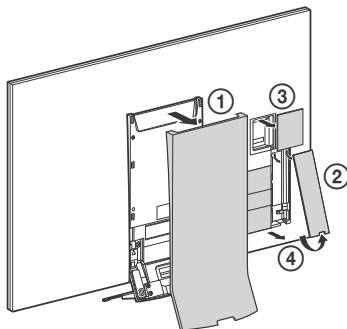


Para obter instruções sobre a instalação do suporte de parede do seu modelo de televisor, consulte o website seguinte:

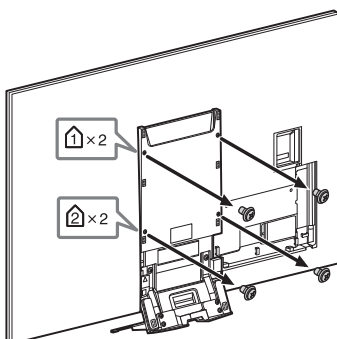
www.sony.eu/tv/wall-mount-bracket-manual

Apenas KD-65ZD9

1 Retire a tampa lateral, interior, superior e central.



2 Retire os parafusos da parte de trás do televisor.



PT

Apenas KD-75ZD9

O televisor pode ser montado num Suporte de parede (não fornecido) fora da caixa, conforme embalado.

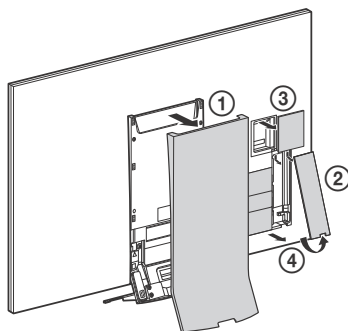
Prepare o televisor para o Suporte de parede antes de efectuar as ligações com o cabo.

Para protecção do produto e por razões de segurança, a Sony recomenda vivamente que a instalação do televisor na parede seja realizada por profissionais qualificados. Não tente instalá-lo por si próprio.

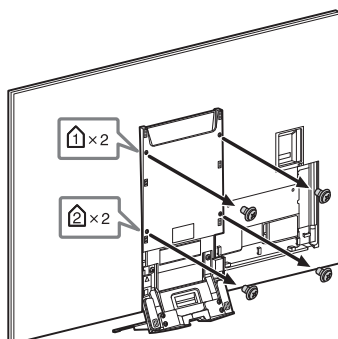
- Siga as instruções fornecidas com o Suporte de parede para o seu modelo. É necessária uma formação técnica adequada para instalar este televisor, especialmente para determinar a resistência da parede para suportar o peso do televisor.
- Certifique-se de que armazena os parafusos não utilizados e o Suporte de fixação para mesas num local seguro até estar pronto para prender o Suporte de fixação para mesas. Mantenha os parafusos fora do alcance de crianças pequenas.

Apenas KD-75ZD9

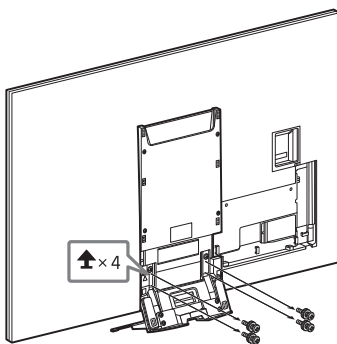
- 1 Retire a tampa lateral, interior, superior e central.



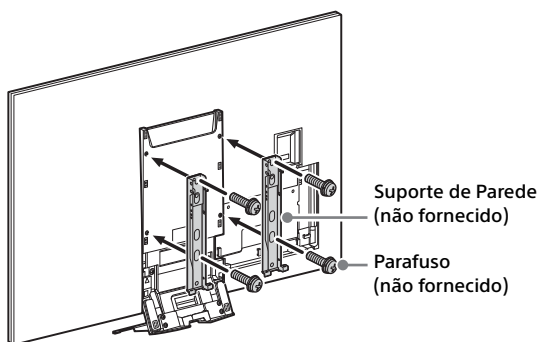
- 2 Retire os parafusos da parte de trás do televisor.



3 Separar o suporte de fixação para mesas do televisor.



4 Instalar o Suporte de Parede (não fornecido) utilizando os parafusos (não fornecidos).



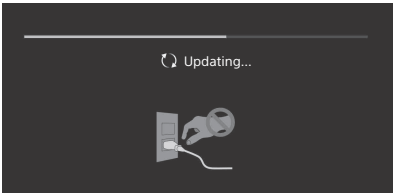
Nota

- Se utilizar uma chave de fendas elétrica, fixe o torque para aproximadamente 1,5 N·m {15 kgf·cm}.

Resolução de problemas

Para manter o software do seu televisor atualizado, é necessário descarregar a informação de software mais recente através do sistema de transmissão digital ou da internet e atualizar o software. Selecione [At Agora] para iniciar a atualização do software. O LED de iluminação pisca enquanto o software está a ser atualizado.

O seguinte ecrã com [Updating...] (A atualizar...) irá aparecer enquanto o software está em atualização.



Não desligue o cabo de alimentação CA durante a atualização de software. Se o fizer, a atualização de software poderá não terminar completamente e poderá provocar uma avaria do software. As atualizações de software podem demorar até 30 minutos. Se não pretender atualizar automaticamente o software, carregue em **HOME** e selecione [Ajuda] → [Atualização do software do sistema] → [Transf. Automática de Software] → [Desativar].

Quando liga o televisor à tomada, o televisor poderá não ligar durante algum tempo, mesmo que carregue no botão de alimentação no telecomando ou no televisor, visto que demora algum tempo a inicializar o sistema. Aguarde cerca de um minuto e, em seguida, volte a operar.

Quando liga carregando no botão de alimentação no telecomando ou no televisor, demora algum tempo até o LED de iluminação ligar e até o telecomando ficar funcional.

Quando o LED de iluminação estiver a piscar a vermelho, anote o número de vezes que pisca (o tempo de intervalo é de três segundos).

Se o LED de iluminação pisca a vermelho, reinicie o televisor desligando o cabo de alimentação durante dois minutos, e em seguida, ligue o televisor.

Se o problema persistir, contacte o seu agente ou centro de assistência Sony e indique o número de vezes que o Iluminação LED pisca a vermelho (o tempo de intervalo é de três segundos). Desligue o cabo de alimentação e informe o seu agente ou centro de assistência Sony.

Quando o LED de iluminação não estiver a piscar, verifique os itens constantes das tabelas seguintes.

Também pode consultar a resolução de problemas no Guia de Ajuda ou realizar um autodiagnóstico, selecionando [Ajuda] → [Autodiagnóstico]. Se o problema persistir, solicite a reparação do televisor a um técnico de assistência qualificado.

Problemas e soluções

Não aparece imagem (o ecrã está escuro) e não há som.

- Verifique a ligação da antena/cabo.
- Ligue o televisor ao cabo de alimentação e carregue em no televisor ou no telecomando.

Não é possível sintonizar alguns programas.

- Verifique a ligação da antena/cabo.
- O cabo de satélite poderá entrar em curto-circuito ou poderá haver problemas de ligação no cabo. Verifique a ligação do cabo e, em seguida, desligue o televisor com o interruptor de ligar/desligar alimentação e volte a ligar.
- A frequência que introduziu está fora do intervalo. Consulte a empresa de transmissão de satélite recebida.

Não foram encontrados serviços (programas) de televisão por cabo.

- Verifique a ligação do cabo ou a configuração de sintonização.
- Tente a [Sintonia digital automática] selecionando [Antena] em vez de [Cabo].

O telecomando não funciona.

- Substitua as pilhas.

Esqueceu a palavra-passe de [Bloqueio parental (Transmissão)].

- Introduza o código PIN 9999. Atualize o código PIN, selecionando [Definições] → [Bloqueio parental (Transmissão)] → [Altere o código PIN].

A área na proximidade do televisor aquece.

- Quando o televisor é utilizado durante um período de tempo prolongado, a área na proximidade do televisor aquece. Poderá sentir a superfície quente ao tocar com a mão.

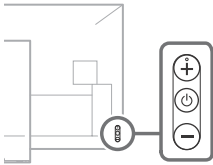
Áudio ou vídeo bloqueados, um ecrã em branco ou o televisor não responde aos botões do televisor ou do telecomando.

- Efetue um reinício simples do televisor, desligando o cabo de alimentação CA durante dois minutos e, em seguida, ligue-o novamente.

Os botões , + e - não se encontram no televisor.

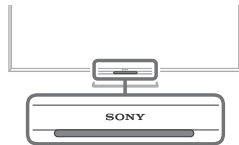
- Consulte a ilustração abaixo para saber a localização dos botões no televisor.

Parte traseira do televisor



A iluminação LED está acesa.


- Se não pretende acender a iluminação LED, pode apagá-la. Carregue em **HOME** e, em seguida, selecione [Definições] → [Iluminação LED] → [Desativar].



Não é possível ligar a um router sem fios através de WPS (Wi-Fi Protected Setup).

- Se utilizar segurança WEP, selecione [Fácil] → [Wi-Fi] → [Ligar através da lista de pesquisa]. Em seguida, selecione o nome da rede (SSID) que pretende ligar.

Não é possível encontrar o nome da rede necessária na configuração da rede.

- Selecione [[Introdução manual]] e carregue em  para introduzir o nome da rede.

Características técnicas

Sistema

Sistema do ecrã

Ecrã LCD (Visor de Cristal Líquido),
Retroluminação LED

Sistema de televisão

Dependendo do país/área/modelos de televisor

Analogico: B/G, D/K, L, I

Digital: DVB-T/DVB-C

DVB-T2*

Satélite*: DVB-S/DVB-S2

Sistema de Cor

PAL, SECAM, NTSC3.58 (Apenas vídeo), NTSC4.43 (Apenas vídeo)

Cobertura de canais

Dependendo do país/área/modelos de televisor

Analogico: UHF/VHF/Cabo

Digital: UHF/VHF/Cabo

Satélite*: Frequência IF 950-2.150 MHz

Saída de som

10 W + 10 W

Tecnologia sem fios

Protocolo IEEE802.11ac/a/b/g/n

(IEEE802.11ac pode não estar disponível dependendo da sua região/país.)

Bluetooth Versão 4.1

- * Nem todos os televisores têm tecnologia DVB-T2 ou DVB-S/S2 ou terminal de antena satélite.

Tomadas de Entrada/Saída

Antena (aérea)/cabo

Terminal externo de 75 ohm para VHF/UHF

Antena do satélite

Conector de tipo F fêmea, 75 ohm.

DiSEqC 1.0, LNB 13 V/18 V & tom 22 kHz,

Distribuição por um Cabo EN50494.

/ AV 1

Euroconector de 21 pinos (norma CENELEC)

incluindo entrada de áudio/vídeo, entrada RGB e saída áudio/vídeo de TV.

/ AV 2

Entrada de vídeo/áudio (Mini-tomada)

HDMI IN 1, 2, 3, 4 (suporta resolução 4K, HDCP 2.2-compatível)

Vídeo (2D):

4096 × 2160p (50, 60 Hz)*¹, *², 4096 × 2160p (24 Hz)*¹, 3840 × 2160p (50, 60 Hz)*², 3840 × 2160p (24, 25, 30 Hz), 1080p (30, 50, 60 Hz), 1080i (50, 60 Hz), 720p (30, 50, 60 Hz), 720i (50, 60 Hz), 576p, 576i, 480p, 480i, Formatos PC

*¹ 3840 × 2160p é apresentado quando é introduzido 4096 × 2160p

*² HDMI IN 2/3 apenas.

Vídeo (3D) (apenas modelos compatíveis com 3D):

Fotograma compacto: 1080p (30Hz), 1080i (50, 60Hz), 720p (30, 50, 60Hz), 720i (50, 60Hz)
Lado-a-lado: 1080p (50, 60Hz), 1080i (50, 60Hz), 720p (50, 60Hz)

Uma sobre a outra: 1080p (30, 50, 60Hz), 1080i (50, 60Hz), 720p (50, 60Hz)

Áudio: PCM linear do canal 5,1: 32, 44,1, 48, 88,2, 96, 176,4 e 192 kHz, 16, 20 e 24 bits, Dolby Digital, Dolby Digital Plus e DTS

ARC (Audio Return Channel) (apenas HDMI IN 3) (PCM linear de dois canais, Dolby Digital, Dolby Digital Plus, DTS)

⊖ DIGITAL AUDIO OUT (OPTICAL)

Tomada digital ótica (PCM linear de dois canais, Dolby Digital, DTS)

AUDIO OUT ⊖ / 🔊 (Mini-tomada estéreo)

Auscultadores, saída de áudio, subwoofer

• 🔌 1, 🔌 2, **SS** 🔌 3 (HDD REC)*¹

Porta do dispositivo USB (**SS** 🔌 3 dispositivos HDD USB para funcionalidade REC)

As portas USB 1 e 2 suportam High Speed USB (USB2.0).

A porta USB 3 suporta Super Speed USB (USB3.0).



Ranhora CAM (Módulo de Acesso Condicional)

LAN

Conector 10BASE-T/100BASE-TX (Dependendo do ambiente de operação da rede, a velocidade de ligação pode variar. A taxa de comunicação e qualidade de comunicação do modelo 10BASE-T/100BASE-TX não são garantidas no caso deste televisor.)

IR BLASTER *¹

Entrada de cabo IR Blaster (Mini-tomada)

Outros

Accessórios opcionais

Suporte de parede: SU-WL450 (apenas KD-65ZD9)

Subwoofer sem fios: SWF-BR100

Óculos 3D ativos: TDG-BT500A



Temperatura de funcionamento

0 °C – 40 °C

Humidade de funcionamento

10 % – 80 % HR (não condensada)

Alimentação, Ficha de Produto e outros

Requisitos de alimentação

Capacidade nominal: Entrada 220 V - 240 V CA, 50 Hz

Classe de eficiência energética

KD-75ZD9: B

KD-65ZD9: B

Dimensões do ecrã (medido diagonalmente) (Aprox.)

KD-75ZD9: 189,3 cm / 75 polegadas

KD-65ZD9: 163,9 cm / 65 polegadas

Consumo de energia

no modo [Standard]

KD-75ZD9: 259 W

KD-65ZD9: 210 W

no modo [Vívido]

KD-75ZD9: 453 W

KD-65ZD9: 347 W

Consumo de energia anual médio*²

KD-75ZD9: 359 kWh

KD-65ZD9: 291 kWh

Consumo de energia no modo de espera*^{3,4}


0,50 W (27 W no modo de atualização do EPG/software)

Resolução do ecrã

3.840 pontos (horizontal) × 2.160 linhas (vertical)

Potência nominal

USB 1/2: 5 V, , 500 mA MÁX

USB 3: 5 V, , 900 mA MÁX

Dimensões (Aprox.) (larg. × alt. × prof.)

com suporte de fixação para mesas

KD-75ZD9: 168,4 × 104,7 × 27,8 cm

KD-65ZD9: 146,2 × 92,0 × 26,8 cm

sem suporte de fixação para mesas

KD-75ZD9: 168,4 × 97,3 × 7,8 cm

KD-65ZD9: 146,2 × 84,7 × 7,8 cm

Peso (Aprox.)

com suporte de fixação para mesas

KD-75ZD9: 45,1 kg

KD-65ZD9: 35,7 kg

sem suporte de fixação para mesas

KD-75ZD9: 41,3 kg

KD-65ZD9: 32 kg

*1 Apenas em determinadas regiões/países/modelos de televisor.

*2 Consumo de energia por ano, com base no consumo de energia verificado com o televisor a funcionar 4 horas por dia durante 365 dias. O consumo de energia real irá depender da forma como o televisor é utilizado.

*3 A energia em modo de espera (standby) especificada é atingida depois de o televisor concluir os processos internos necessários.

*4 O consumo de energia em modo de espera (standby) irá aumentar quando o televisor estiver ligado à rede.

Nota


- Não retire o cartão fictício da ranhura CAM (Módulo de Acesso Condicional) do televisor, exceto quando for para introduzir um smart card instalado no CAM.
- A disponibilidade dos acessórios opcionais depende dos países/região/modelo de televisor/stock.
- O design e as características técnicas estão sujeitos a alteração sem aviso prévio.

Aviso para a função de televisão digital

- Todas as funções relativas à televisão digital (**DVB**) estarão disponíveis apenas para os países ou áreas em que são transmitidos sinais terrestres digitais DVB-T/DVB-T2 (MPEG-2 e H.264/MPEG-4 AVC) ou onde existe acesso a um serviço de cabo compatível com DVB-C (MPEG-2 e H.264/MPEG-4 AVC). Por favor, confirme com o seu agente local se pode receber um sinal DVB-T/DVB-T2 no seu local de residência ou pergunte ao seu fornecedor de cabo se o seu serviço de cabo DVB-C é adequado para operação integrada com este televisor.
- O fornecedor de cabo pode cobrar um preço adicional pelos seus serviços e pode solicitar que concorde com os seus termos e condições de negócio.
- Este televisor cumpre com as especificações DVB-T/DVB-T2 e DVB-C, mas a compatibilidade com futuras transmissões terrestres digitais DVB-T/DVB-T2 e por cabo digitais DVB-C não é garantida.
- Algumas funções de televisão digital podem não estar disponíveis em alguns países/áreas e o cabo DVB-C pode não funcionar corretamente com alguns fornecedores.

Informação da marca registada

- Os termos HDMI e HDMI High-Definition Multimedia Interface e o logótipo HDMI são marcas comerciais ou marcas comerciais registadas da HDMI Licensing LLC nos EUA e noutros países.
- Fabricado sob licença da Dolby Laboratories. Dolby, Dolby Audio, e o símbolo double-D são marcas registadas da Dolby Laboratories.
- “BRAVIA” e BRAVIA são marcas comerciais da Sony Corporation.
- Gracenote, Gracenote eyeQ, Gracenote VideoID, Gracenote Video Explore, o logótipo Gracenote e o logótipo “Powered by Gracenote” são marcas comerciais registadas ou marcas comerciais da Gracenote nos Estados Unidos e/ou noutros países.
- Opera® Devices SDK from Opera Software ASA. Copyright 1995-2015 Opera Software ASA. All rights reserved.
- Wi-Fi, Wi-Fi Direct, Miracast, Wi-Fi Protected Setup e Wi-Fi CERTIFIED Logo, são marcas registadas ou marcas comerciais registadas da Wi-Fi Alliance.
- Para obter informações sobre patentes DTS, consulte <http://patents.dts.com>. Fabricado sob licença da DTS, Inc. DTS, o símbolo, & DTS e o símbolo em conjunto são marcas comerciais registadas e Digital Surround é uma marca comercial da DTS, Inc. © DTS, Inc. Todos os direitos reservados.
- QuickSet e o logótipo QuickSet são marcas comerciais da Universal Electronics Inc. Portions © UEI 2000-2015
- O símbolo da palavra e os logótipos Bluetooth® são marcas comerciais registadas da Bluetooth SIG, Inc. e qualquer utilização desses símbolos por parte da Sony Corporation está sob licença. Outras marcas comerciais e nomes comerciais são propriedade dos respetivos proprietários.

- DiSEqC™ é uma marca comercial da EUTELSAT. Este televisor suporta DiSEqC 1.0. Este televisor não se destina ao controlo de antenas motorizadas.
- TUXERA é uma marca comercial registada da Tuxera Inc. nos E.U.A. e noutros países.
- O logótipo USB-IF SuperSpeed USB Trident é uma marca comercial registada da USB Implementers Forum, Inc. 

Sommario

NOTA IMPORTANTE	3
Informazioni di sicurezza	3
Precauzioni	5
Parti e comandi	7
Comandi e indicatori	7
Uso del telecomando	8
Descrizione delle parti del telecomando	8
Schema di collegamento	10
Installazione del televisore a parete	12
Solo KD-75ZD9	14
Risoluzione dei problemi	16
Problemi e soluzioni	16
Caratteristiche tecniche	18

Introduzione

Grazie per avere scelto questo prodotto Sony. Prima di mettere in funzione il televisore, si prega di leggere attentamente il presente manuale e di conservarlo per farvi riferimento in futuro.

Nota

- Prima di mettere in funzione il televisore, leggere le "Informazioni di sicurezza" (pagina 3).
- Le immagini e le illustrazioni utilizzate nella Guida all'installazione e nel presente manuale servono esclusivamente come riferimento e possono differire dal prodotto effettivo.

Ubicazione della Guida all'installazione

La Guida all'installazione si trova sopra all'involucro di protezione all'interno dell'imballo del televisore.

Guida

La funzione Guida fornisce diverse informazioni sul TV. Per utilizzarla, premere **HELP** sul telecomando. È possibile trovare istruzioni sulle operazioni e sulla risoluzione dei problemi dall'elenco, pronunciando o digitando la parola chiave da cercare. Selezionare [Guida] nel menu per visualizzare il manuale. Se si collega il TV a Internet, la funzione di guida e le informazioni saranno aggiornate.

Ubicazione della targhetta di identificazione

Le etichette indicanti il modello, la data di produzione (anno/mese) e la tensione di alimentazione sono ubicate sul retro del televisore o sull'imballo. È possibile trovarli rimuovendo la copertura centrale.

AVVERTIMENTO

PER EVITARE IL
RISCHIO DI INCENDI,
TENERE QUESTO PRODOTTO
SEMPRE LONTANO DA
CANDELE O ALTRE FIAMME
LIBERE.



Le seguenti frasi integrano il manuale di istruzioni e, in caso di discordanza, prevalgono sul manuale di istruzioni.

Indicazioni specifiche e avvertenze per l'utilizzo di occhiali 3D in ambito domestico, richieste dal Ministero della Salute Italiano.

- L'utilizzo degli occhiali 3D è controindicato per i bambini al di sotto dei 6 anni di età.
- L'utilizzo continuativo degli occhiali 3D deve in ogni caso essere limitato a un tempo massimo orientativamente pari a quello della durata di uno spettacolo cinematografico.
- L'utilizzo degli occhiali 3D deve essere limitato esclusivamente alla visione di contenuti in 3D.
- Gli occhiali 3D devono essere utilizzati contestualmente agli strumenti correttivi della visione (ad es., occhiali da vista/lenti a contatto), qualora abitualmente utilizzati dall'utente.
- È opportuno interrompere immediatamente la visione in 3D in caso di comparsa di disturbi agli occhi o di malessere generale e, nell'eventualità di persistenza degli stessi, consultare un medico.
- Gli occhiali 3D devono essere tenuti fuori dalla portata dei bambini qualora vi sia la presenza di piccole parti mobili ingeribili.
- La pulizia degli occhiali 3D deve essere fatta utilizzando un panno leggermente inumidito con una soluzione di sapone delicato e acqua tiepida, non usare prodotti a base alcolica.

- L'uso di sostanze disinfettanti può danneggiare il prodotto o comprometterne la funzionalità; è pertanto controindicato l'uso promiscuo degli occhiali 3D in caso di infezioni oculari o altre affezioni trasmissibili per contatto (a titolo meramente esemplificativo: congiuntivite, infestazioni del capo ecc...) fino alla completa scomparsa dell'infezione stessa.

NOTA IMPORTANTE

Questo prodotto è stato fabbricato da o per conto di Sony Corporation, 1-7-1 Konan Minato-ku Tokyo, 108-0075 Giappone. Eventuali richieste in merito alla conformità del prodotto in ambito della legislazione Europea, dovranno essere indirizzate al rappresentante autorizzato, Sony Belgium, bijkantoor van Sony Europe Limited, Da Vincilaan 7-D1, 1935 Zaventem, Belgio. Per qualsiasi informazione relativa all'assistenza tecnica o alla garanzia, si prega di fare riferimento agli indirizzi riportati separatamente sui documenti relativi all'assistenza o sui certificati di garanzia.

Aviso per il segnale wireless



Con la presente Sony Corporation dichiara che questa unità è conforme ai requisiti essenziali ed alle altre disposizioni pertinenti stabilite dalla direttiva 1999/5/CE. Per ulteriori dettagli, si prega di consultare il seguente URL: <http://www.compliance.sony.de/>

Aviso per i clienti: le seguenti informazioni si riferiscono esclusivamente ad apparecchi venduti in paesi che applicano le direttive UE.

Il sistema wireless del televisore può essere utilizzato nei seguenti paesi:

AT, BE, HR, CY, CZ, DK, EE, FI, FR, DE, GR, HU, IE, IT, LV, LT, LU, MT, NL, PL, PT, SK, SI, ES, SE, GB, IS, LI, NO, CH, BG, RO, TR, AL, BA, MK, MD, RS, ME, Kosovo

Questo dispositivo può essere utilizzato in altri paesi non europei.

Informazioni di sicurezza

ATTENZIONE

Le batterie non devono essere esposte a fonti di calore eccessivo, quali luce solare, fuoco o simili.

Non collocare il televisore in una posizione instabile. Il televisore potrebbe cadere, causando gravi lesioni personali o la morte.

Molte lesioni, in particolare ai bambini, possono essere evitate adottando semplici precauzioni, tra cui:

- Utilizzando mobili o supporti consigliati dal fabbricante del televisore.
- Utilizzando esclusivamente mobili in grado di sostenere con sicurezza il televisore.
- Assicurandosi che il televisore non fuoriesca dal bordo del mobile che lo sostiene.
- Non posizionando il televisore su mobili alti (ad esempio, armadi o librerie), senza fissare il mobile e il televisore su un supporto adatto.
- Non posizionando il televisore su un panno o altri materiali situati tra il televisore e il mobile che lo sostiene.
- Educando i bambini sui pericoli impliciti nel salire sui mobili per raggiungere i comandi del televisore.

Se il televisore esistente viene mantenuto e trasferito, si applicano le stesse considerazioni menzionate in precedenza.

Installazione/Impostazione

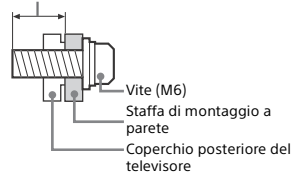
Installare e utilizzare il televisore attenendosi alle istruzioni di seguito al fine di evitare il rischio di incendi, scosse elettriche o danni e/o lesioni.

Installazione

- Il televisore deve essere installato in prossimità di una presa di rete facilmente accessibile.
- Posizionare il televisore su una superficie stabile e piana per evitare che possa cadere e causare lesioni personali o danni materiali.

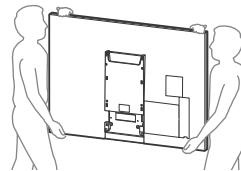
- Installare il televisore in una posizione che non permetta di tirarlo, spingerlo o rovesciarlo.
- Per l'installazione a parete rivolgersi esclusivamente a personale qualificato.
- Per motivi di sicurezza, si consiglia caldamente di utilizzare esclusivamente accessori Sony, compresi: Staffa di montaggio a parete – SJ-WL450 (Solo KD-65ZD9)
- Fissare la staffa di montaggio a parete al televisore utilizzando esclusivamente le viti fornite in dotazione. Le viti in dotazione sono come appaiono nell'illustrazione, misurate dalla superficie di fissaggio della staffa di montaggio a parete. Il diametro e la lunghezza delle viti differiscono in base al modello di staffa per il montaggio a parete. L'uso di viti diverse da quelle in dotazione può determinare danni interni al televisore o provocarne la caduta, ecc.

10 mm - 12 mm



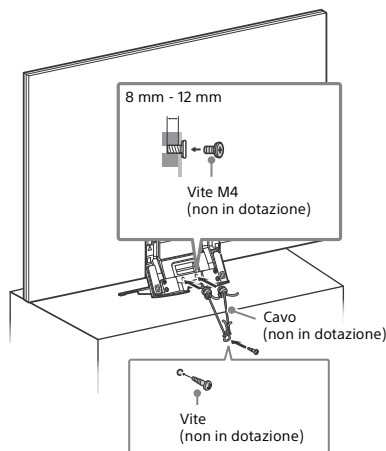
Trasporto

- Prima di trasportare il televisore, scollegare tutti i cavi.
- Per trasportare un televisore di grandi dimensioni sono necessarie due o tre persone.
- Quando si trasporta il televisore manualmente, sostenerlo come mostrato sotto. Non praticare pressione sul pannello LCD e sulla cornice intorno allo schermo.

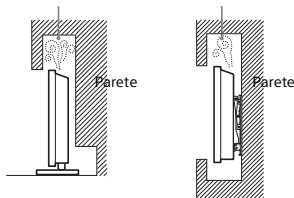


- Durante il trasporto, non sottoporre il televisore a urti o vibrazioni eccessive.
- Nel caso in cui si renda necessario trasportare il televisore per farlo riparare o per un trasloco, richiuderlo sempre nell'imballaggio originale.

Prevenzione delle cadute



Circolazione dell'aria bloccata.



Cavo di alimentazione

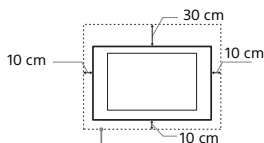
Maneggiare il cavo e la presa di rete nel modo indicato di seguito al fine di evitare il rischio di incendi, scosse elettriche o danni e/o lesioni:

- Utilizzare soltanto cavi di alimentazione forniti da Sony, non di altre marche.
- Inserire completamente la spina nella presa di rete.
- Utilizzare il televisore esclusivamente con alimentazione da 220 V - 240 V CA.
- Prima di effettuare i collegamenti, per motivi di sicurezza assicurarsi di aver scollegato il cavo di alimentazione e prestare attenzione a non rimanere impigliati nei cavi con i piedi.
- Disinserire il cavo di alimentazione dalla presa di rete prima di effettuare operazioni sul televisore o di spostarlo.
- Tenere il cavo di alimentazione lontano da fonti di calore.
- Scollegare e pulire regolarmente la spina del cavo di alimentazione. Se la spina è ricoperta di polvere ed è esposta a umidità, l'isolamento potrebbe deteriorarsi e provocare un incendio.

Ventilazione

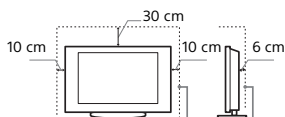
- Non coprire i fori di ventilazione o inserire oggetti nel mobile.
- Lasciare un po' di spazio intorno al televisore.
- Si raccomanda caldamente di utilizzare la staffa di montaggio a parete Sony al fine di consentire un'adeguata circolazione dell'aria.

Installato a parete



Spazio minimo indispensabile attorno al televisore.

Installato sul piedistallo



Spazio minimo indispensabile attorno al televisore.

- Per garantire una ventilazione adeguata ed evitare l'accumulo di sporcizia e polvere:
 - Non posare il televisore piatto, né installarlo in posizione capovolta, girato all'indietro o lateralmente.
 - Non posizionare il televisore su uno scaffale o dentro un armadio.
 - Non coprire il televisore con tessuti od oggetti, come per esempio tende, giornali e simili.
 - Non installare il televisore nel modo indicato di seguito.

Nota

- Non utilizzare il cavo di alimentazione fornito su altri apparecchi.
- Non sottoporre a pressione, piegare o attorcigliare eccessivamente il cavo di alimentazione. I fili interni potrebbero scoprirsi o danneggiarsi.
- Non modificare il cavo di alimentazione.
- Non collocare oggetti pesanti sul cavo di alimentazione.
- Non tirare il cavo di alimentazione per disinserirlo.
- Non collegare un numero eccessivo di apparecchiature alla medesima presa di rete.
- Non utilizzare una presa di rete inadeguata alla spina in uso.

Uso proibito

Non installare/utilizzare il televisore in luoghi, ambienti o situazioni come quelle elencate di seguito, al fine di evitare il rischio di malfunzionamenti, incendi, scosse elettriche o danni e/o lesioni.

Luoghi:

- All'aperto (esposto alla luce solare diretta), in spiaggia, su imbarcazioni, all'interno di un veicolo, in ambiente medico, in posizioni instabili, esposto all'acqua, pioggia, umidità o fumo.

Ambienti:

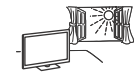
- Luoghi caldi, umidi o eccessivamente polverosi; esposti all'ingresso di insetti; dove potrebbero essere soggetti a vibrazioni meccaniche; nelle vicinanze di oggetti infiammabili (candele, ecc.). Non esporre il televisore a sgocciolamento o spruzzi e non posizionarvi sopra oggetti contenenti liquidi, come per esempio vasi.

Situazioni:

- Utilizzare con mani umide, armadio rimosso o con accessori. Durante i temporali scollegare il televisore dalla presa di rete e dall'antenna.
- Installazione del televisore in una posizione che sporge verso uno spazio aperto. Potrebbero verificarsi lesioni o danni provocati da urti di persone o oggetti contro il televisore.



- Collocazione del televisore in aree umide o polverose, o in stanze con presenza di fumi oleosi o vapore (nei pressi di tavoli da cucina o umidificatori). Potrebbero verificarsi incendi, scosse elettriche o deformazioni.
- Installazione del televisore in luoghi soggetti a temperature estremamente elevate, ad esempio alla luce solare diretta, in prossimità di radiatori o di ventole di riscaldamento. In tali condizioni il televisore potrebbe surriscaldarsi con conseguente deformazione del rivestimento e/o problemi di funzionamento.



- Se collocato nello spogliatoio di un bagno pubblico o di un centro termale, il televisore potrebbe venire danneggiato dalla presenza di zolfo nell'aria, ecc.
 - Per una qualità di immagine ottimale, evitare l'esposizione dello schermo a un'illuminazione diretta o alla luce del sole.
 - Evitare di spostare il televisore da un ambiente freddo a un ambiente caldo. I cambiamenti improvvisi di temperatura ambientale possono portare alla formazione di condensa. Ciò potrebbe far sì che il televisore visualizzi immagini di scarsa qualità e/o con colori insoddisfacenti. Nel caso, lasciare evaporare completamente l'umidità prima di accendere il televisore.
- Rottura di componenti:**
- Non tirare oggetti contro il televisore. Il vetro dello schermo potrebbe rompersi a causa dell'impatto e provocare lesioni gravi.
 - Se la superficie del televisore si rompe, non toccarla finché non è stato scollegato il cavo di alimentazione. In caso contrario, potrebbero generarsi scosse elettriche.



Periodi di inutilizzo

- Qualora si preveda di non utilizzare il televisore per numerosi giorni, esso dovrà essere scollegato dalla presa di rete per motivi ambientali e di sicurezza.
- Anche se spento, il televisore non è scollegato dalla rete elettrica; per scollegare completamente il televisore, estrarre la spina dalla presa di rete.
- Alcuni televisori potrebbero disporre di funzioni che per operare correttamente richiedono di lasciare il televisore in standby.

Bambini

- Impedire ai bambini di salire sul televisore.
- Tenere gli accessori di piccole dimensioni lontano dalla portata dei bambini, affinché non vengano accidentalmente ingeriti.

Qualora si verifichino i seguenti problemi...

Spegner il televisore e disinserire immediatamente il cavo di alimentazione qualora si verifichino i seguenti problemi. Rivolgersi al proprio rivenditore o a Sony per fare controllare il televisore da personale opportunamente qualificato.

Quando:

- Il cavo di alimentazione è danneggiato.
- La presa di rete è inadeguata alla spina in uso.
- Il televisore è danneggiato per una caduta, un urto o un oggetto lanciato.
- All'interno del televisore sono penetrate sostanze liquide o oggetti solidi.

Informazioni sulla temperatura attorno al pannello LCD

È normale che la cornice attorno al pannello LCD si riscaldi dopo un uso prolungato.

Precauzioni

Visione del televisore

- Si consiglia di guardare la TV in condizioni di luce normale, in quanto la visione in condizioni di luce insufficiente oppure per lunghi periodi di tempo può affaticare la vista.
- Onde evitare danni all'udito, durante l'uso delle cuffie regolare il volume a livelli moderati.

(Solo modelli compatibili 3D)

- La visione di immagini video 3D o l'utilizzo di videogiocchi stereoscopici in 3D può causare disturbi (sforzo visivo eccessivo, affaticamento, nausea) in alcune persone. Sony consiglia a tutti gli utilizzatori di effettuare pause regolari durante la visione di immagini 3D o durante l'utilizzo di videogiocchi stereoscopici in 3D. La durata e la frequenza delle pause necessarie variano da una persona all'altra. Le scelte ottimali devono essere prese in autonomia. Se si avverte un qualsiasi disturbo, la visione di immagini 3D o l'utilizzo di videogiocchi stereoscopici in 3D vanno interrotti fino alla scomparsa del disturbo; se lo si ritiene opportuno, consultare un medico. Consultare inoltre (i) il manuale di istruzioni di qualsiasi altro dispositivo o supporto utilizzato insieme al televisore e (ii) il nostro sito Web (www.sony.eu/support) per le ultime informazioni. La visione da parte dei bambini piccoli (in particolare, quelli sotto i sei anni di età) è ancora in fase di studio. Consultare un medico (un pediatra o un oculista) prima di consentire ai bambini piccoli la visione di immagini video 3D o l'utilizzo di videogiocchi stereoscopici in 3D. Gli adulti sono tenuti a verificare che i bambini piccoli seguano le indicazioni riportate sopra.
- Non utilizzare, conservare o lasciare gli occhiali 3D o la batteria accanto al fuoco o in luoghi con temperature elevate, per es. alla luce diretta del sole o all'interno di auto esposte ai raggi solari.

Schermo LCD

- Per quanto lo schermo LCD sia realizzato con tecnologia ad alta precisione e disponga del 99,99 % od oltre di pixel effettivi, potrebbero comparire, in modo permanente, dei piccolissimi punti scuri o luminosi (rossi, blu o verdi) sullo schermo. Ciò costituisce una caratteristica di fabbricazione dello schermo LCD e non è un problema di funzionamento.
- Non premere o graffiare il pannello frontale e non posizionare oggetti sopra al televisore. L'immagine potrà risultare non uniforme o lo schermo LCD danneggiato.
- Se il televisore viene utilizzato in un luogo freddo, le immagini potrebbero risultare distorte o più scure del normale. Non si tratta di un problema di funzionamento, bensì di un fenomeno che scompare con l'aumento della temperatura.
- Se si guardano spesso fotografie o immagini fisse, è possibile che a volte permanga un'immagine latente. Tale effetto scompare dopo alcuni istanti.
- Durante l'uso del televisore, lo schermo e il rivestimento si scaldano. Non si tratta di un problema di funzionamento.
- Lo schermo LCD contiene piccole quantità di cristalli liquidi. Per lo smaltimento attenersi ai regolamenti e alle normative locali.

Cura e pulizia della superficie dello schermo del rivestimento

Verificare di avere disinserto il cavo di alimentazione collegato al televisore dalla presa di rete prima di procedere alla pulizia. Per evitare il degradamento del materiale o del rivestimento dello schermo, prendere le seguenti precauzioni.

- Per rimuovere la polvere dalla superficie dello schermo e dal rivestimento, utilizzare un panno morbido e procedere con delicatezza. Se la polvere persiste, utilizzare un panno morbido leggermente inumidito con una soluzione detergente neutra diluita.
- Non spruzzare acqua o detergente direttamente sul televisore. Potrebbe gocciolare verso la parte inferiore dello schermo o altre parti esterne entrando nel televisore e causando danni al funzionamento.



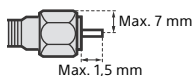
- Non utilizzare spugnette abrasive, detersivi alcalini o acidi, polveri abrasive o solventi volatili quali alcool, benzene, diluenti o insetticidi. L'uso di tali materiali o il contatto prolungato con gomma o materiali vinilici potrebbero danneggiare la superficie dello schermo e il materiale di rivestimento del televisore.
- Non toccare il televisore con le mani ricoperte di sostanza chimica, quali crema per le mani o protezione solare.
- Si consiglia di passare di tanto in tanto l'aspirapolvere sulle aperture di ventilazione per garantire una ventilazione adeguata.
- Per regolare l'angolazione del televisore, spostarlo lentamente in modo da evitare che muovendolo scivoli dalla base.

Apparecchiature opzionali

- Mantenere i componenti opzionali o eventuali apparecchiature che emettono radiazioni elettromagnetiche lontano dal televisore. In caso contrario, si potranno verificare distorsioni dell'immagine e/o disturbi dell'audio.
- Il presente apparecchio è stato testato ed è risultato conforme ai limiti imposti dalla Direttiva EMC utilizzando un cavo del segnale di collegamento di lunghezza inferiore a 3 metri.

Raccomandazione spina tipo F

La sporgenza del filo interno dall'elemento di collegamento deve essere inferiore a 1,5 mm.



(Figura di riferimento della spina tipo F)

Funzione Wireless dell'unità

- Non utilizzare l'unità in prossimità di apparecchiature mediche (pacemaker e simili), in quanto potrebbe provocare anomalie di funzionamento a tali dispositivi.
- Anche se questa unità trasmette/riceve segnali codificati, fare attenzione alle intercettazioni non autorizzate. Si declina ogni responsabilità per gli eventuali inconvenienti che dovessero verificarsi.

Precauzione per l'uso del telecomando

- Inserire le batterie rispettando la corretta polarità.
- Non utilizzare tipi diversi di batterie insieme o combinare batterie usate e nuove.
- Nel rispetto dell'ambiente, depositare le batterie scariche negli appositi contenitori adibiti alla raccolta differenziata. Alcune regioni potrebbero avere normative particolari per lo smaltimento delle batterie. Consultare le autorità locali.
- Maneggiare il telecomando con cura, evitando di lasciarlo cadere, calpestarlo o rovesciarlo sopra liquidi di alcun tipo.
- Non posizionare il telecomando in prossimità di fonti di calore, né in luoghi direttamente esposti alla luce solare o in stanze umide.

Smaltimento del televisore



Trattamento del dispositivo elettrico o elettronico a fine vita (applicabile in tutti i paesi dell'Unione Europea e in altri paesi europei con sistema di raccolta differenziata)

Questo simbolo sul prodotto o sulla confezione indica che il prodotto non deve essere considerato come un normale rifiuto domestico, ma deve invece essere consegnato ad un punto di raccolta appropriato per il riciclo di apparecchi elettrici ed elettronici. Assicurandovi che questo prodotto sia smaltito correttamente, voi contribuirete a prevenire potenziali conseguenze negative per l'ambiente e per la salute che potrebbero altrimenti essere causate dal suo smaltimento inadeguato. Il riciclaggio dei materiali aiuta a conservare le risorse naturali. Per informazioni più dettagliate circa il riciclaggio di questo prodotto, potete contattare l'ufficio comunale, il servizio locale di smaltimento rifiuti oppure il negozio dove l'avete acquistato. In caso di smaltimento abusivo di apparecchiature elettriche e/o elettroniche potrebbero essere applicate le sanzioni previste dalla normativa applicabile (valido solo per l'Italia).

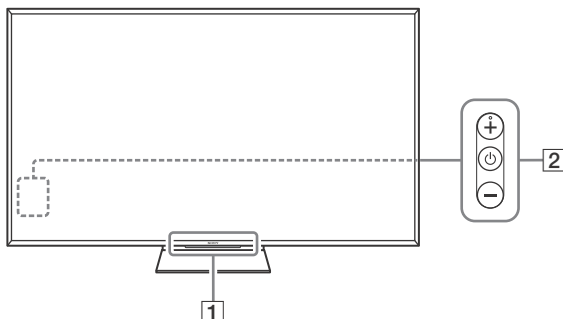


Trattamento delle pile esauste (applicabile in tutti i paesi dell'Unione Europea e in altri paesi Europei con sistema di raccolta differenziata)

Questo simbolo sul prodotto o sulla confezione indica che la pila non deve essere considerata un normale rifiuto domestico. Su alcuni tipi di pile questo simbolo potrebbe essere utilizzato in combinazione con un simbolo chimico. I simboli chimici del mercurio (Hg) o del piombo (Pb) sono aggiunti, se la batteria contiene più dello 0,0005 % di mercurio o dello 0,004 % di piombo. Assicurandovi che le pile siano smaltite correttamente, contribuirete a prevenire potenziali conseguenze negative per l'ambiente e per la salute che potrebbero altrimenti essere causate dal loro inadeguato smaltimento. Il riciclaggio dei materiali aiuta a conservare le risorse naturali. In caso di prodotti che per motivi di sicurezza, prestazione o protezione dei dati richiedano un collegamento fisso ad una pila interna, la stessa dovrà essere sostituita solo da personale di assistenza qualificato. Consegnare il prodotto a fine vita al punto di raccolta idoneo allo smaltimento di apparecchiature elettriche ed elettroniche; questo assicura che anche la pila al suo interno venga trattata correttamente. Per le altre pile consultate la sezione relativa alla rimozione sicura delle pile. Conferire le pile esauste presso i punti di raccolta indicati per il riciclo. Per informazioni più dettagliate circa lo smaltimento della pila esausta o del prodotto, potete contattare il Comune, il servizio locale di smaltimento rifiuti oppure il negozio dove l'avete acquistato.

Parti e comandi

Comandi e indicatori



1 Sensore del telecomando*1 / Sensore di luce*1 / Indicatore LED / Trasmettitore Sincronizzato 3D*1*2

L'indicatore LED si accende o lampeggia a seconda dello stato del televisore.

- Bianco
Durante l'attivazione del televisore/della modalità immagine assente/
dell'aggiornamento software ecc.
- Ciano
Mentre è in corso la connessione wireless con il dispositivo mobile.
- Rosa*2
Modo di registrazione.
- Ambra
Timer impostato.

2 ⏻ (Accensione) / + / -

Quando il televisore è spento,
Premere ⏻ per accenderlo.

Quando il televisore è acceso,
Premere a lungo ⏻ per spegnerlo.
Premere più volte ⏻ per cambiare la funzione, quindi premere il tasto + o - per:

- Regolazione del volume
- Selezione del canale
- Selezione della sorgente in ingresso del televisore

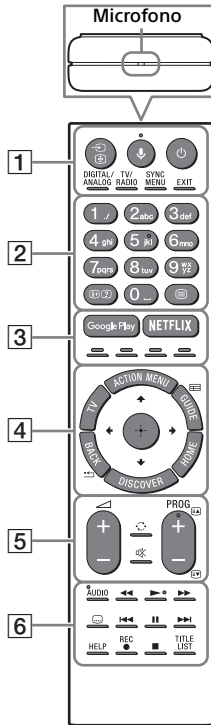
*1 Non collocare nulla accanto al sensore.

*2 Solo per alcune Regioni / Nazioni / Modelli TV.

Uso del telecomando

Descrizione delle parti del telecomando

La forma del telecomando, la posizione, la disponibilità e la funzione del tasto del telecomando possono variare a seconda della regione/del paese/del modello del televisore.



1 (Selezione ingresso/Blocca Pagina Televideo)

In modalità TV: Consente di visualizzare e selezionare la sorgente di ingresso.
In modalità Televideo: Consente di bloccare la pagina visualizzata.

(Microfono)

Consente di utilizzare la Funzione vocale. (per es. di cercare svariati contenuti tramite comandi vocali.)

(Standby TV)

Consente di accendere o spegnere il televisore (modo standby).

DIGITAL/ANALOG

Consente di commutare le modalità digitale terrestre, analogico e satellite, in rotazione.

TV/RADIO

Consente di passare dalle trasmissioni TV alle trasmissioni RADIO e viceversa.

SYNC MENU

Consente di visualizzare il menu BRAVIA Sync.

EXIT

Consente di tornare alla schermata precedente o di uscire dal menu. Se è disponibile un servizio Applicazione interattiva, premere per uscire dal servizio.

2 Tasti numerici

(Info/Mostra testo)

Consente di visualizzare le informazioni.

(Televideo)

Consente di visualizzare le informazioni del Televideo.

3 Google Play

Consente di accedere al servizio online "Google Play".

NETFLIX (Solo per alcune Regioni / Nazioni / Modelli TV)

Consente di accedere al servizio online "NETFLIX".

Tasti colorati

Consentono di eseguire la funzione corrispondente indicata sullo schermo.

4 ACTION MENU

Consente di visualizzare un elenco di funzioni contestuali.

TV

- Dalle applicazioni, consente di passare ai programmi TV o ad un ingresso predefinito.
- Accendere il televisore per visualizzare il canale del televisore o l'ingresso.

GUIDE/

Consente di visualizzare la guida TV.

BACK/

Consente di tornare alla schermata precedente.

HOME

Consente di visualizzare il menu principale del televisore.

DISCOVER

Richiama la Barra dei Contenuti per eseguire ricerche di contenuti.

(Selezione/Conferma o OK)

5 +/- (Volume)

Consente di regolare il volume.

(Salto)


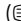
Consente di saltare in avanti o all'indietro tra due canali o ingressi. Il televisore passa dal canale o ingresso corrente all'ultimo canale o ingresso selezionato e viceversa.

(Disattivazione audio)

Consente di disattivare l'audio. Premere nuovamente per riattivare l'audio.

PROG +/-/

In modalità televisore: Consente di passare al programma successivo/precedente (zapping).

In modalità Televideo: Consente di selezionare la pagina successiva () o precedente ()

6 AUDIO

Consente di ascoltare il programma in lingua originale, quando questa è trasmessa dall'emittente.

(Impostazione Sottotitoli)

Consente di attivare o disattivare i sottotitoli (quando la funzione è disponibile).

Consentono di controllare contenuti multimediali sul televisore e su un dispositivo collegato compatibile BRAVIA Sync.

HELP

Consente di visualizzare il menu Guida. La Guida è accessibile da qui.

REC

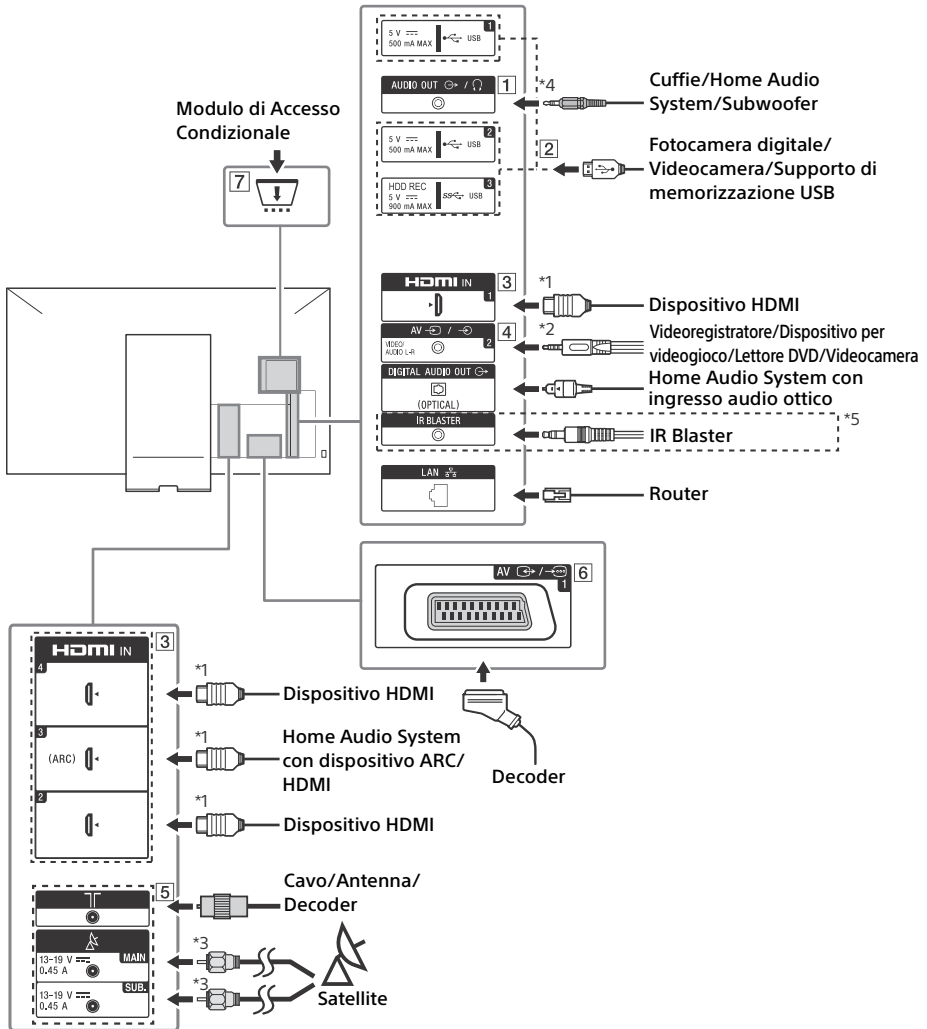
Consente di registrare il programma corrente con la funzione di registrazione USB HDD.

TITLE LIST

Consente di visualizzare l'elenco dei titoli.

Schema di collegamento

Per ulteriori informazioni sui collegamenti, consultare la Guida (pagina 2).



1 AUDIO OUT *4

- Per ascoltare l'audio del televisore attraverso il dispositivo collegato, premere **HOME**. Selezionare [Impostazioni] → [Suono] → [Uscita cuffie/audio] e selezionare la voce desiderata.

2 **USB 1/2**, **USB 3 (HDD REC)*5**

- Collegare un dispositivo USB di grandi dimensioni potrebbe interferire con altri dispositivi collegati.
- Quando si collega un dispositivo USB di grandi dimensioni, utilizzare la presa USB 1.

3 **HDMI IN 1/2/3/4**

- Se si collega un sistema audio digitale compatibile con la tecnologia Canale di ritorno audio (ARC), utilizzare HDMI IN 3. In caso contrario, è necessario un collegamento aggiuntivo con DIGITAL AUDIO OUT (OPTICAL).

4 **AV 2**

- Per un collegamento composito, usare la prolunga analogica in dotazione*5.

5 **(Ingresso RF)**, **(Ingresso satellite)**

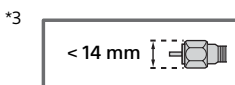
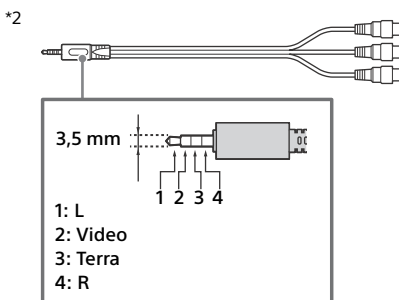
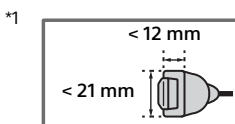
- Collegamenti per trasmissione terrestre/ via cavo e via satellite. Fasi di collegamento: MAIN → Antenna → SUB.
- Per la presa SUB., collegare solo quando si utilizza la modalità sintonizzatore Twin ad eccezione della Distr. via cavo singolo EN50494.

6 **AV 1**

- Collegare con un cavo SCART. Quando si collega un decoder analogico, tenere presente che i programmi criptati dovranno essere decodificati dal decoder prima di essere inviati al TV.

7 **CAM (Modulo di accesso condizionale)**

- Consente l'accesso ai servizi televisivi a pagamento. Per ulteriori dettagli, fare riferimento al manuale d'uso in dotazione alla CAM.
- La smart card non va inserita direttamente nell'alloggiamento CAM del televisore, ma nell'apposita fessura della CAM, la quale è reperibile presso i rivenditori autorizzati di zona.
- L'uso della CAM non è supportato in alcuni paesi/aree. Rivolgersi a un rivenditore autorizzato di zona per verificarne la possibilità di utilizzo.
- Un messaggio CAM può apparire quando si passa a un programma digitale dopo aver visualizzato video su Internet.



*4 Supporta solo il minijack stereo tripolare.

*5 Solo per alcune Regioni / Nazioni / Modelli TV.

Installazione del televisore a parete

Il manuale d'uso del televisore spiega solo le fasi di preparazione all'installazione a parete.

Per i clienti:

Per evitare di danneggiare il prodotto e per ragioni di sicurezza, Sony raccomanda vivamente di affidare l'installazione del televisore a rivenditori o a installatori autorizzati Sony. Non cercare di eseguire l'installazione personalmente.

Per i rivenditori e installatori Sony:

Prestare massima attenzione alla sicurezza durante gli interventi di installazione, manutenzione periodica e controllo del prodotto.

Per l'installazione di questo prodotto è necessario disporre di sufficiente competenza, in particolare per determinare la solidità della parete e per decidere se è in grado di sostenere il peso del televisore. Affidare il fissaggio di questo prodotto alla parete a rivenditori o a installatori autorizzati Sony e prestare attenzione adeguata alla sicurezza durante l'installazione. Sony non potrà essere ritenuta responsabile per danni o lesioni causate da usi non appropriati del prodotto o da installazione non corretta.

Utilizzare la staffa di montaggio a parete SU-WL450 (non in dotazione) (KD-65ZD9) per installare il televisore alla parete.

Durante l'installazione della staffa di montaggio a parete, consultare anche le Istruzioni per l'uso e la Guida all'installazione in dotazione con la staffa di montaggio a parete.

Nota

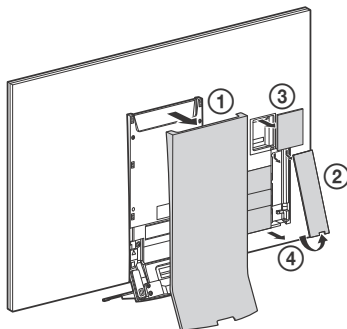
- Conservare le viti rimosse al sicuro, fuori dalla portata dei bambini.



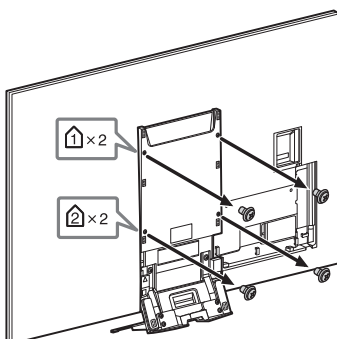
Per istruzioni sull'installazione della staffa di montaggio a parete per il proprio modello di TV, fare riferimento al seguente sito Web:
www.sony.eu/tv/wall-mount-bracket-manual

Solo KD-65ZD9

- 1 Rimuovere il coperchio laterale, interno, superiore e centrale.



- 2 Rimuovere le viti dal retro del televisore.



IT

Solo KD-75ZD9

È possibile montare la TV su una staffa di montaggio a parete (non in dotazione) preconfezionata.

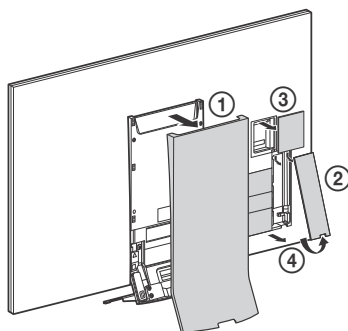
Preparare la TV per la staffa di montaggio a parete prima di effettuare i collegamenti dei cavi.

Per ragioni di sicurezza e di protezione del prodotto, Sony raccomanda che l'installazione del televisore a parete sia effettuata da personale qualificato. Non cercare di eseguire l'installazione personalmente.

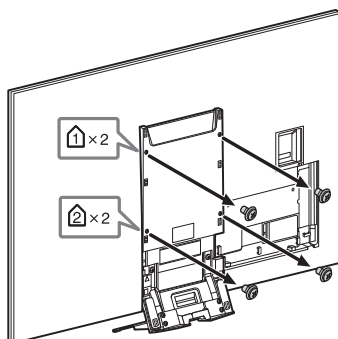
- Attenersi alle istruzioni fornite con la staffa di montaggio a parete per il modello in uso. Per l'installazione di questo televisore è necessario disporre di sufficiente competenza, in particolare per determinare la solidità della parete e per decidere se è in grado di sostenere il peso del televisore.
- Assicurarsi di conservare le viti non utilizzate e il supporto da tavolo in un luogo sicuro fino al momento di collegamento del supporto da tavolo. Tenere le viti fuori dalla portata dei bambini.

Solo KD-75ZD9

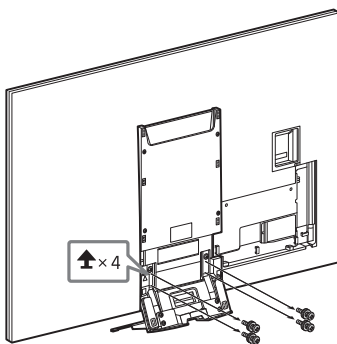
1 Rimuovere il coperchio laterale, interno, superiore e centrale.



2 Rimuovere le viti dal retro del televisore.

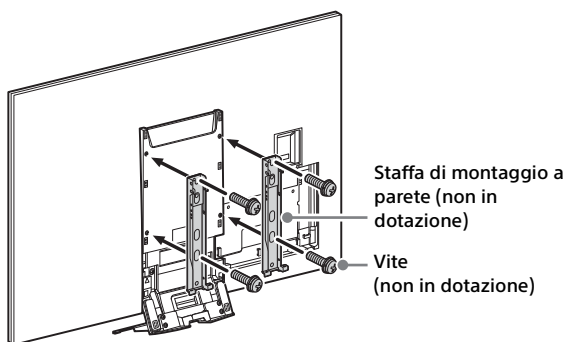


3 Staccare il supporto da tavolo dal televisore.



4 Collegare la staffa di montaggio a parete (non in dotazione) con le viti (non in dotazione).

IT

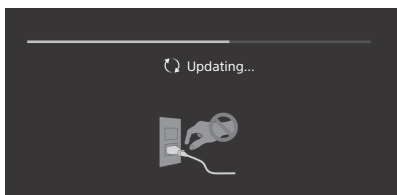


Nota

- Se si utilizza un cacciavite elettrico, impostare la coppia di serraggio a circa 1,5 Nm {15 kgf·cm}.

Risoluzione dei problemi

Ogni volta che si renderà disponibile un aggiornamento software via etere, oppure via Internet, oltre a scaricarlo automaticamente, il televisore mostrerà un apposito avviso per procedere alla sua installazione. Selezionare [Aggiorna subito] per avviare l'aggiornamento del software. L'indicatore LED lampeggia durante l'aggiornamento del software. Durante l'aggiornamento del software viene visualizzata la seguente schermata [Updating...] (Aggiornamento...).



Non scollegare il cavo di alimentazione CA durante l'aggiornamento del software. Se il cavo viene scollegato, l'aggiornamento del software potrebbe non essere completato correttamente e potrebbero verificarsi malfunzionamenti del software. Gli aggiornamenti del software possono impiegare fino a 30 minuti. Se non si desidera aggiornare il software automaticamente, premere **HOME** e selezionare [Guida] → [Aggiornamento del software di sistema] → [Download automatico software] → [No].

Quando si collega il televisore, è possibile che il televisore non si accenda immediatamente anche se si preme il tasto di accensione sul telecomando oppure sul televisore perché l'inizializzazione del sistema necessita di un po' di tempo. Attendere circa un minuto, quindi riprovare.

Quando si accende il televisore premendo il tasto di accensione sul telecomando o sul televisore, occorre attendere qualche tempo prima che l'indicatore LED si accenda e che il telecomando inizi a funzionare.

Se l'indicatore LED lampeggia in rosso, contare quanti lampeggi emette nell'intervallo tra due pause di tre secondi ciascuna.

Se l'indicatore del LED lampeggia in rosso, provare a ripristinare il televisore scollegando i cavi di alimentazione per due minuti, quindi accendere il TV.


Se il problema persiste, rivolgersi al rivenditore o a un Centro Assistenza Autorizzato Sony comunicando il numero di volte in cui l'indicatore LED lampeggia in rosso (l'intervallo è tre secondi). Scollegare il cavo di alimentazione e rivolgersi al rivenditore o a un Centro Assistenza Autorizzato Sony.

Se l'indicatore LED non lampeggia, controllare quanto riportato nelle tabelle di seguito.

È possibile anche fare riferimento alla risoluzione dei problemi nella Guida oppure eseguire l'autodiagnosi selezionando [Guida] → [Autodiagnostica]. Se il problema persiste, rivolgersi a personale qualificato per l'assistenza.

Problemi e soluzioni

L'audio non si sente e l'immagine non compare (schermo buio).

- Controllare il collegamento dell'antenna o della TV via cavo.
- Collegare il televisore all'alimentazione e premere  sul televisore o sul telecomando.

Il TV non sintonizza alcuni programmi come invece ci si aspettava.

- Controllare il collegamento dell'antenna o della TV via cavo.
- Il cavo del satellite potrebbe essere in corto circuito o non collegato correttamente. Verificare il cavo e la connessione, quindi spegnere e riaccendere utilizzando la pulsantiera sul televisore.
- La frequenza inserita per il canale satellitare desiderato risulta fuori gamma. Interpellare l'emittente satellitare per ottenere i corretti parametri di sintonizzazione.

Non sono stati trovati servizi (programmi) trasmessi da TV via cavo.

- Verificare il collegamento dei cavi o la configurazione della sintonizzazione.
- Provare ad attivare [Auto preselezione digitale] selezionando [Antenna] invece di [TV via cavo].

Il telecomando non funziona.

- Sostituire le batterie.

La password di [Protezione dei minori (broadcast)] è stata dimenticata.


- Inserire 9999 come codice PIN. Aggiornare il codice PIN selezionando [Impostazioni] → [Protezione dei minori (broadcast)] → [Modifica codice PIN].

Le aree in prossimità del televisore si riscaldano.

- È normale che le aree attorno al TV si riscaldino dopo un uso prolungato.

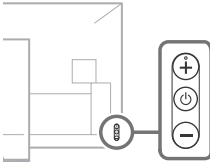
Vari sintomi: immagine bloccata; solo sfondo uniforme senza immagine; non si sente alcun suono; il televisore non reagisce al telecomando, né alla pulsantiera sul retro.

- Eseguire un semplice ripristino del televisore scollegando il cavo di alimentazione CA per due minuti, quindi collegarlo nuovamente.

Impossibile trovare i tasti , + e - al televisore.

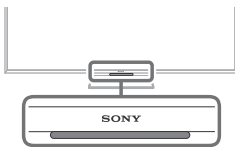
- Fare riferimento all'illustrazione sottostante per verificare la posizione dei tasti sul televisore.

Retro del televisore



L'indicatore LED è acceso.


- L'indicatore LED è acceso per impostazione predefinita. Per disattivarlo, procedere come segue.
Premere **HOME**, quindi selezionare [Impostazioni] → [Illuminazione del LED] → [No].



Il collegamento a un router wireless tramite WPS (Wi-Fi Protected Setup) non va a buon fine.

- Se si utilizza la chiave di sicurezza WEP, selezionare [Rapida] → [Wi-Fi] → [Connetti con elenco di ricerca]. Quindi, selezionare il nome della rete (SSID) a cui ci si desidera connettere.

Nella configurazione della rete Wi-Fi, dopo la scansione, il nome della rete desiderata non compare nell'elenco.

- Selezionare [[Immissione manuale]] e premere  per immettere il nome della rete.

Caratteristiche tecniche

Sistema

Tipo di pannello

Pannello LCD (Display Cristalli Liquidi),
Retroilluminazione a LED

Sistema TV

In base alla nazione/regione seleziona/al
modello del televisore

Analogico: B/G, D/K, L, I

Digitale: DVB-T/DVB-C
DVB-T2*

Satellite*: DVB-S/DVB-S2

Sistema colore

PAL, SECAM, NTSC3.58 (Solo video), NTSC4.43
(Solo video)

Gamma di sintonia

In base alla nazione/regione seleziona/al
modello del televisore

Analogico: UHF/VHF/TV via cavo

Digitale: UHF/VHF/TV via cavo

Satellite*: Frequenza IF 950-2.150 MHz

Potenza d'uscita audio

10 W + 10 W

Tecnologia wireless

Protocollo IEEE802.11ac/a/b/g/n
(IEEE802.11ac potrebbe non essere disponibile a
seconda dei paesi/delle regioni.)

Bluetooth Versione 4.1

* Non tutti i televisori dispongono di tecnologia DVB-T2
o DVB-S/S2 o di terminale antenna satellitare.

Prese Ingressi/Uscite

Presenza d'antenna / TV via cavo

Terminale esterno 75 ohm per VHF/UHF

Presenza per antenna satellitare

Connettore di Tipo F Femmina, 75 ohm.
DiSEqC 1.0, LNB 13 V/18 V e tono a 22 kHz,
Distribuzione a cavo singolo EN50494.

AV 1

Connettore scart a 21 poli (standard CENELEC) per
ingresso audio/video, ingresso RGB e uscita
audio/video TV.

AV 2

Ingresso audio/video (mini jack)

HDMI IN 1, 2, 3, 4 (supporta risoluzione 4K,
Compatibile HDCP 2.2)

Video (2D):

4096 × 2160p (50, 60 Hz)*1, *2, 4096 × 2160p
(24 Hz)*1, 3840 × 2160p (50, 60 Hz)*2,
3840 × 2160p (24, 25, 30 Hz), 1080p (30, 50,
60 Hz), 1080/24p, 1080i (50, 60 Hz), 720p (30,
50, 60 Hz), 720/24p, 576p, 576i, 480p, 480i,
Formati PC

*1 3840 × 2160p visualizzato se risoluzione
d'ingresso è 4096 × 2160p

*2 Solo per HDMI IN 2 / 3.

Video (3D) (Solo modelli compatibili 3D):

Frame Packing: 1080p (30Hz), 1080/24p, 1080i
(50, 60Hz), 720p (30, 50, 60Hz), 720/24p
Fianco a fianco: 1080p (50, 60Hz), 1080/24p,
1080i (50, 60Hz), 720p (50, 60Hz)
Sotto-sopra: 1080p (30, 50, 60Hz), 1080/24p,
1080i (50, 60Hz), 720p (50, 60Hz)

Audio: PCM lineare 5,1 canali: 32, 44,1, 48, 88,2,
96, 176,4 e 192 kHz, 16, 20 e 24 bit, Dolby Digital,
Dolby Digital Plus e DTS

ARC (Audio Return Channel) (solo HDMI IN 3)
(PCM lineare due canali, Dolby Digital, Dolby
Digital Plus, DTS)

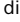
DIGITAL AUDIO OUT (OPTICAL)

Presenza ottica digitale (PCM lineare due canali,
Dolby Digital, DTS)

AUDIO OUT (Presenza mini jack stereo)

Cuffie, uscita audio, subwoofer

1, 2, 3 (HDD REC)*1

Porta dispositivo USB ( Dispositivo HDD
USB 3 per la registrazione)

Le porte USB 1 e 2 supportano USB High Speed
(USB2.0).

La porta USB 3 supporta USB Super Speed
(USB3.0).

Alloggiamento CAM (modulo ad accesso
condizionato)

Connettore 10BASE-T/100BASE-TX (La velocità di
connessione può variare a seconda delle
caratteristiche operative della rete. La velocità di
comunicazione 10BASE-T/100BASE-TX e la qualità
di comunicazione non sono garantite con questo
televisore.)

IR BLASTER *1

Ingresso cavo IR Blaster (minijack)

Altri

Accessori opzionali

- Staffa di montaggio a parete: SU-WL450 (Solo KD-65ZD9)
- Subwoofer wireless: SWF-BR100
- Occhiali 3D attivi: TDG-BT500A



Temperatura di funzionamento

Da 0 °C a 40 °C

Umidità di funzionamento

Dal 10 % all'80 % di u. r. (senza condensa)

Potenza, caratteristiche prodotto e altro

Requisiti di alimentazione

Valori nominali: ingresso 220 V - 240 V CA, 50 Hz

Classe di efficienza energetica

KD-75ZD9: B
KD-65ZD9: B

Dimensioni schermo (diagonale) (Approssimative)

KD-75ZD9: 189,3 cm / 75 pollici
KD-65ZD9: 163,9 cm / 65 pollici

Potenza assorbita in modalità [Standard]

KD-75ZD9: 259 W
KD-65ZD9: 210 W

in modalità [Brillante]

KD-75ZD9: 453 W
KD-65ZD9: 347 W

Consumo energetico medio annuo*2

KD-75ZD9: 359 kWh
KD-65ZD9: 291 kWh

Potenza assorbita in modalità standby*3*4

0,50 W (27 W durante l'aggiornamento software o della Guida TV elettronica)

Risoluzione schermo

3840 punti (orizzontale) × 2160 linee (verticale)

Valori nominali uscita

USB 1/2: 5 V, $\overline{=}$, 500 mA MAX
USB 3: 5 V, $\overline{=}$, 900 mA MAX

Dimensioni (Approssimativo) (l × a × p)

con supporto da tavolo

KD-75ZD9: 168,4 × 104,7 × 27,8 cm
KD-65ZD9: 146,2 × 92,0 × 26,8 cm

senza supporto da tavolo

KD-75ZD9: 168,4 × 97,3 × 7,8 cm
KD-65ZD9: 146,2 × 84,7 × 7,8 cm

Peso (Approssimativo)

con supporto da tavolo

KD-75ZD9: 45,1 kg
KD-65ZD9: 35,7 kg

senza supporto da tavolo

KD-75ZD9: 41,3 kg
KD-65ZD9: 32 kg

*1 Solo per alcune Regioni / Nazioni / Modelli TV.

*2 Consumo energetico annuale, basato sul consumo di corrente di un televisore che funzioni 4 ore al giorno per 365 giorni. Il consumo energetico effettivo dipenderà dal modo in cui verrà utilizzato il televisore.

*3 Il valore dell'assorbimento di potenza specificato in stand-by viene raggiunto dopo alcuni minuti dallo spegnimento, cioè dopo che il televisore avrà terminato tutti i processi interni.

*4 Quando la TV è connessa alla rete, il consumo energetico in standby aumenta.


Nota

- Non rimuovere la protezione dall'alloggiamento CAM del retro del televisore, finché non si intende utilizzare una CAM con la relativa smart card.
- La disponibilità degli accessori opzionali dipende dai paesi/dalle regioni/dai modelli di televisore/dalle scorte.
- Design e caratteristiche tecniche sono soggetti a modifiche senza preavviso.

Note sul funzionamento della TV Digitale

- Le funzioni relative alla TV Digitale (DVB) saranno attive esclusivamente in paesi o zone dove vengano trasmessi i segnali digitali terrestri DVB-T/DVB-T2 (MPEG-2 e H.264/MPEG-4 AVC) o dove sia disponibile un servizio via cavo DVB-C compatibile (MPEG-2 e H.264/MPEG-4 AVC). Verificare con il proprio rivenditore locale la possibilità di ricevere un segnale DVB-T/DVB-T2 nella zona di residenza o chiedere al fornitore di servizi via cavo se il servizio DVB-C è adatto al funzionamento integrato con questo televisore.
- Il vostro fornitore di servizi via cavo potrà addebitare un costo aggiuntivo per tale servizio e richiedere che vengano accettati i propri termini e condizioni commerciali.
- Sebbene questo televisore segua le specifiche DVB-T/DVB-T2 e DVB-C, non è possibile garantire la compatibilità con future trasmissioni digitali terrestri DVB-T/DVB-T2 e digitali via cavo DVB-C.
- Alcune funzioni del televisore digitale potranno non essere disponibili in alcuni paesi/regioni e il cavo DVB-C potrà non funzionare correttamente con tutti i fornitori.

Informazioni sui marchi

- I termini HDMI e HDMI High-Definition Multimedia Interface e il logo HDMI sono marchi di fabbrica o marchi di fabbrica registrati di HDMI Licensing LLC negli Stati Uniti e in altri Paesi.
- Prodotto su licenza di Dolby Laboratories. Dolby, Dolby Audio e il simbolo della doppia D sono marchi di Dolby Laboratories.
- "BRAVIA" e BRAVIA sono marchi depositati di Sony Corporation.
- Gracenote, Gracenote eyeQ, Gracenote VideoID, Gracenote Video Explore, il logo e il logo tipo Gracenote, nonché il logo "Powered by Gracenote" sono marchi di fabbrica o marchi di fabbrica registrati di Gracenote negli Stati Uniti e/o in altri paesi.
- Opera® Devices SDK from Opera Software ASA. Copyright 1995-2015 Opera Software ASA. All rights reserved.
- Wi-Fi, Wi-Fi Direct, Miracast, Wi-Fi Protected Setup e il logo Wi-Fi CERTIFIED sono marchi di fabbrica o marchi di fabbrica registrati di Wi-Fi Alliance.
- Per i brevetti DTS, consultare il sito <http://patents.dts.com>. Prodotto su licenza di DTS, Inc. DTS, il simbolo, & DTS e il simbolo insieme sono marchi di fabbrica registrati e DTS Digital Surround è un marchio di fabbrica di DTS, Inc. © DTS, Inc. Tutti i diritti riservati.
- Il logo QuickSet e the QuickSet sono marchi di Universal Electronics Inc. Portions © UEI 2000-2015
- Il marchio denominativo e i loghi Bluetooth® sono marchi registrati di proprietà di Bluetooth SIG, Inc. e sono utilizzati da Sony Corporation su licenza. Tutti gli altri marchi di fabbrica o nomi commerciali sono di proprietà delle rispettive aziende.
- DiSEqC™ è un marchio depositato di EUTELSAT. Questo televisore supporta DiSEqC 1.0. Questo televisore non è progettato per il controllo di antenne motorizzate.
- TUXERA è un marchio registrato di Tuxera Inc. negli Stati Uniti e in altri paesi.
- Il logo USB-IF SuperSpeed USB Trident è un marchio di fabbrica registrato di USB Implementers Forum, Inc. 

Innehållsförteckning

VIKTIGT MEDDELANDE	2
Säkerhetsinformation	3
Säkerhetsföreskrifter	5
Delar och reglage	7
Kontroller och indikatorer	7
Använda fjärrkontrollen	8
Beskrivning av fjärrkontrollens delar	8
Kopplingschema	10
Montera TV:n på väggen	12
KD-75ZD9 endast	14
Felsökning	16
Problem och lösningar	16
Specifikationer	17

Inledning

Tack för att du har valt denna produkt från Sony. Innan du använder TV:n bör du läsa igenom den här bruksanvisningen noga och spara den för framtida bruk.

Anmärkning

- Innan du slår på TV:n ska du läsa "Säkerhetsinformation" (sidan 3).
- De bilder och illustrationer som används i startguiden och i denna handbok är bara referenser och kan skilja sig från utseendet på den faktiska produkten.

Startguidens placering

Startguiden är placerad på dynan inuti TV-kartongen.

Hjälpguide

Hjälpfunktionen innehåller massor av information om din TV. För att använda hjälpfunktionen, tryck på **HELP** på fjärrkontrollen. Du kan se hur du och felsökningar från listan eller med rösten eller textnyckelordssökning. Välj [Hjälpguide] i hjälpmenyen för att visa användarhandboken. Om du ansluter din TV till Internet, uppdateras hjälpfunktionen och informationen.

Identifieringsetikettens placering

Etiketter för modellnr, tillverkningsdatum (år/månad) och strömförsörjning finns på TV:ns eller förpackningens baksida. Du hittar dem om du tar bort mittkåpan.

VARNING!

FÖR ATT FÖRHINDRA
ATT BRAND SPRIDS
SKA LEVANDE LJUS ELLER
ÖPPNA LÅGOR ALLTID
HÅLLAS PÅ AVSTÅND FRÅN
PRODUKTEN.



VIKTIGT MEDDELANDE

Denna produkt har tillverkats av eller på uppdrag av Sony Corporation, 1-7-1 Konan Minato-ku Tokyo, 108-0075 Japan. Frågor som rör produkternas överensstämmelse, grundar sig på Europeiska unionens lagstiftning skall ställas till den auktoriserade representanten, Sony Belgium, bijkantoor van Sony Europe Limited, Da Vincilaan 7-D1, 1935 Zaventem, Belgien. För service och garantiärenden, vänligen se de adresser som finns i de separata service och garantihandlingarna.

Anmärkning beträffande trådlös signal



Härmed intygar Sony Corporation att denna enhet står i överensstämmelse med de väsentliga egenskapskrav och övriga relevanta bestämmelser som framgår av direktiv 1999/5/EG.

För ytterligare information gå in på följande hemsida:
<http://www.compliance.sony.de/>

Meddelande till kunder: följande information gäller endast för utrustning som sålts i länder där EU-direktiv gäller.

Trådlösa TV-system kan användas i följande länder:

AT, BE, HR, CY, CZ, DK, EE, FI, FR, DE, GR, HU, IE, IT, LV, LT, LU, MT, NL, PL, PT, SK, SI, ES, SE, GB, IS, LI, NO, CH, BG, RO, TR, AL, BA, MK, MD, RS, ME, Kosovo

Denna utrustning kan användas i andra icke-europeiska länder.

Säkerhetsinformation

VARNING

Batterier får inte utsättas för hög temperatur, exempelvis från solljus, eld och liknande.
Placera aldrig en TV-apparat på en instabil plats. En TV-apparat kan falla ner och orsaka allvarlig personskada eller dödsfall. Många personskador, speciellt för barn, kan undvikas genom att enkla försiktighetsåtgärder vidtas, som att:

- Använda höljen eller stativ som rekommenderas av TV-apparatens tillverkare.
- Endast använda möbler som säkert stöder TV-apparaten.
- Försäkra sig om att TV-apparaten inte skjuter fram över den stödjande möbels kant.
- Inte placera TV-apparaten på någon hög möbel (till exempel skåp eller bokhyllor) utan att förankra både möbeln och TV-apparaten mot ett passande stöd.
- Inte placera TV-apparaten på tyg eller andra material som kan finnas mellan TV-apparaten och stödjande möbel.
- Lära barn om farorna med att klättra på möbler för att nå TV-apparaten eller dess kontroller.

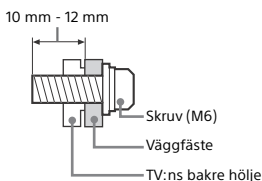
Om din befintliga TV-apparat ska behållas och omplaceras bör samma aktsamhet som ovan tillämpas.

Installation

Installera och använd TV:n enligt följande anvisningar för att undvika brandrisk, elektriska stötar eller skador på person eller egendom.

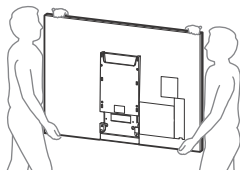
Installation

- TV:n bör placeras nära ett lätt åtkomligt eluttag.
 - Placera TV:n på en stabil, plan yta för att undvika att den faller ner och orsakar personskada eller egendomsskada.
 - Placera TV:n på en plats där den inte kan dras, tryckas eller vältas omkull.
 - Endast en behörig servicetekniker bör utföra vägginstallationer.
 - Av säkerhetsskäl rekommenderar vi bestämt att du endast använder tillbehör från Sony, inklusive:
Väggfäste
 - SU-WL450 (KD-65ZD9 endast)
 - Använd de skruvar som levererades med väggfästet när väggfästet monteras på TV:n. De medföljande skruvarna är utformade enligt bilden mått från väggfästets kontaktyta. Skruvarnas diameter och längd varierar beroende på väggfästets modell.
- Användning av andra skruvar kan skada TV:n internt eller medföra att den faller ned.



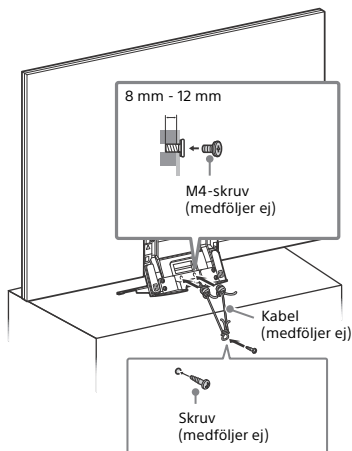
Transport

- Lossa alla kablar från TV:n innan du transporterar den.
- Det krävs två eller tre personer för att bära en stor TV-apparat.
- När TV:n ska transporteras bör den hållas enligt nedan. Tryck inte på LCD-panelen eller ramen runt bildskärmen.



- Se till att TV:n inte utsätts för stötar eller kraftiga vibrationer när den transporteras.
- Du bör använda originalkartongen och dess emballage när du sänder in TV:n för reparation eller om du flyttar.

Förebyggande av fall

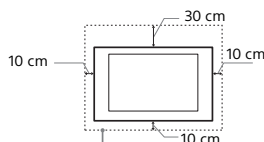


SE

Ventilation

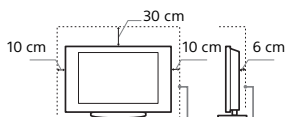
- Täck inte för och stoppa inte in några föremål i TV:ns ventilationshål.
- Lämnas fritt utrymme runt TV:n enligt nedanstående figur.
- Vi rekommenderar bestämt att du använder Sonys väggfäste för att säkerställa tillräcklig luftcirkulation.

Monterad på väggen



Lämnas minst så här mycket fritt utrymme runt TV:n.

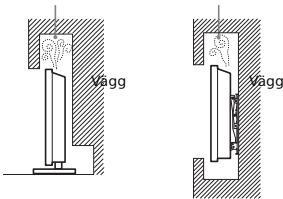
Monterad på stativ



Lämnas minst så här mycket fritt utrymme runt TV:n.

- För att säkerställa korrekt ventilation och förhindra ansamling av damm eller smuts:
 - Lägg inte TV:n platt ned och installera den inte upp-och-ned, bakvänd eller vänd sidledes.
 - Placera inte TV:n på en hylla eller matta, i en säng eller i en garderob.
 - Täck inte över TV:n med tyg såsom gardiner och lägg inte tidningar och liknande på den.
 - Installera inte TV:n såsom figurerna nedan visar.

Luften kan inte cirkulera fritt.



Nätkabel

Hantera nätkabeln och eluttaget enligt följande anvisningar för att undvika brandrisk, elektriska stötar eller skador på person eller egendom:

- Använd endast nätkablar från Sony och inga andra märken.
- För in stickkontakten hela vägen i eluttaget.
- Anslut TV:n till ett eluttag som levererar 220 volt - 240 volt AC.
- För din egen säkerhet, lossa nätkabeln från eluttaget före ledningsdragnig och se till att du inte snavar på kablarna.
- Lossa nätkabeln från eluttaget innan du flyttar TV:n eller utför något arbete på den.
- Håll nätkabeln på avstånd från värmekällor.
- Lossa stickkontakten från eluttaget och rengör den regelbundet. Om kontakten täcks med damm och tar upp fukt kan isoleringen försämrats, vilket kan orsaka brand.

Anmärkning

- Använd inte medföljande nätkabel tillsammans med annan utrustning.
- Kläm, böj eller vrid inte nätkabeln för mycket. Ledarna inne i kabeln kan exponeras eller gå av.
- Modifiera inte nätkabeln.
- Ställ inga tunga föremål på nätkabeln.
- Dra inte i själva kabeln när du lossar nätkabeln från eluttaget - ta tag i stickkontakten.
- Anslut inte alltför många apparater till ett och samma eluttag.
- Använd inte eluttag som inte passar till stickkontakten.

Förbjuden användning

Installera inte och använd inte TV:n på platser eller i miljöer/situationer som beskrivs nedan. Annars kan felfunktioner uppstå i TV:n som kan orsaka brandtillbud, elektriska stötar eller skador på person eller egendom.

Platser:

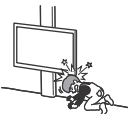
- Utomhus (i direkt solsen), på stranden, i en båt eller någon annan typ av fartyg, i ett fordon, på sjukvårdsinrättningar, på ostadiga platser, nära vatten, regn, fukt eller rök.

Miljöer:

- Platser som är mycket varma, fuktiga eller dammiga, där insekter kan sig in i TV:n, där TV:n kan utsättas för mekaniska vibrationer eller i närheten av brinnande föremål (t.ex. levande ljus). TV-apparaten får inte utsättas för dropp eller stänk och vätskebehållare såsom vaser får inte ställas på den.

Situationer:

- Använd när dina händer är våta, med kabinettet borttaget eller med tillval som inte rekommenderas av tillverkaren. Koppla loss TV:n från eluttaget och antennen när det åskar.
- Installera TV:n så att den sticker ut i ett öppet utrymme. Det kan leda till materiella skador eller personskador om en person eller något föremål stöter emot TV:n.



- Placera TV:n i ett fuktigt eller dammig utrymme, eller i ett rum med oljig rök eller ånga (nära köksbänkar eller luftfuktare). Det kan orsaka elektriska stötar eller att TV:n blir skev.



- Installera TV:n på platser som utsätts för extrema temperaturer som direkt solljus, nära en värm radiator eller en värmeventil. TV:n kan överhettas i ett sådant förhållande vilket kan orsaka deformation av höljets och/eller fel på TV:n.



- Om TV:n placeras i ett omklädesrum för ett allmänt bad eller varma källor kan TV:n skadas av luftburen svavel etc.



- Utsätt inte skärmen för direktbelysning eller solljus för att du ska erhålla den bästa bildkvaliteten.
- Undvik att flytta TV:n från en kall till en varm plats. Plötsliga förändringar i rumstemperaturen kan orsaka kondensbildning. Detta kan göra att TV:n visar en dålig bildkvalitet och/eller dålig färg. Om detta sker måste fukten avdunsta helt innan TV:n startas.

Trasiga delar:

- Kasta aldrig något mot TV:n. Skärmlaset kan gå sönder och orsaka allvariga personskador.
- Om TV:ns hölje spricker, koppla loss TV:n från eluttaget innan du tar i den. Annars kan detta orsaka elchock.

När TV:n inte används

- Om du inte tänker använda TV:n på flera dagar bör du koppla loss TV:n från eluttaget av miljö- och säkerhetsskäl.
- Eftersom TV-apparaten inte kopplas bort från nätspänningen när du endast stänger av den måste du även lossa stickkontakten från eluttaget för att helt koppla bort TV:n.
- Vissa TV-apparater kan ha funktioner som kräver att TV:n står kvar i standby-läge för att den skall fungera korrekt.

Barns säkerhet

- Se till att barn inte klättrar på TV:n.
- Håll små tillbehör utom räckhåll för barn så att de inte råkar sväljas av misstag.

Om följande problem uppstår...

Stäng av TV:n och lossa omedelbart stickkontakten från eluttaget om något av följande problem uppstår. Kontakta din återförsäljare eller ett Sony servicecenter för att få TV:n undersökt av en behörig servicetekniker.

Om:

- Nätkabeln skadas.
- Eluttaget inte passar till stickkontakten.
- TV-apparaten skadas genom att den tappas, utsätts för hårda stötar eller genom att föremål kastas på den.
- Vätska eller något föremål råkar hamna i höljets öppningar.

Om LCD-TV:ns temperatur

När LCD-TV:n används under en längre tid kan området runt panelen bli varmt. Du kan känna denna värme om du tar på panelen med handen.

Varning!

Utrustning som är kopplad till skyddsjord via jordat vägguttag och/eller via annan utrustning och samtidigt är kopplad till kabel-TV nät kan i vissa fall medföra brand.

För att undvika detta skall vid anslutning av utrustningen till kabel-TV nät galvanisk isolator finnas mellan utrustningen och kabel-TV nätet.

Säkerhetsföreskrifter

Se på TV

- Du bör titta på TV i ett rum med måttlig belysning. TV-tittande i dålig belysning eller under långa perioder påfrestar ögonen.
- När du använder hörlurar, ställ in ljudvolymen på en måttlig nivå så att du inte skadar din hörsel.

(Endast 3D-kompatibla modeller)

- Vissa människor kan uppleva obehag (t.ex. ansträngda ögon, trötthet eller illamående) när man tittar på 3D-videobilder eller spelar stereoskopiska 3D-spel. Sony rekommenderar att alla som tittar på 3D-videobilder eller spelar stereoskopiska 3D-spel tar regelbundna pauser medan de gör det. Längden eller frekvensen av nödvändiga pauser varierar från person till person. Du måste själv avgöra vad som fungerar bäst. Om du upplever något obehag, ska du sluta titta på 3D-videobilder eller spela stereoskopiska 3D-spel tills obehaget upphör och kontakta en läkare om du tycker att det är nödvändigt. Du bör även granska (!) bruksanvisningen för alla andra enheter eller media som används med TV-apparaten och gå till (ii) vår webbplats (www.sony.eu/support) för den senaste informationen. Synen hos barn (speciellt under sex års ålder) utvecklas fortfarande. Kontakta en läkare (t.ex. en barn- eller ögonläkare) innan du låter barn titta på 3D-videobilder eller spela stereoskopiska 3D-spel. Vuxna ska övervaka barn och säkerställa att de följer rekommendationerna ovan.
- 3D-glasögonen och batteriet får inte användas, förvaras eller lämnas nära en öppen eld, eller på platser med hög temperatur t.ex. i direkt solljus eller i soluppvärmda bilar.

LCD-skärm

- Trots att LCD-skärmen är tillverkad med högteknologisk precision och 99,99 procent eller mer av bildpunkterna är effektiva kan svarta punkter eller färgade punkter (röda, blå eller gröna) framträda konstant på LCD-skärmen. Detta är en strukturell egenskap hos LCD-skärmar och indikerar inte något fel.
- Tryck inte på och repa inte frontfiltret. Placera inte heller några föremål ovanpå denna TV-apparat. Bilden kan bli ojämn och LCD-skärmen kan skadas.
- Om TV:n används på en kall plats kan fläckar framträda i bilden eller bilden kan bli mörk. Detta indikerar inte någon felfunktion. Fenomenet försvinner när temperaturen stiger till normal nivå.
- En spökbild kan uppstå om en stillbild ligger kvar på skärmen under en längre tid. Den försvinner troligtvis efter en stund.
- Bildskärmen och höljet blir varma när TV:n används. Detta är inget fel.
- LCD-skärmen innehåller en liten mängd flytande kristaller. Kasserar TV:n enligt lokala lagar och bestämmelser.

Hantering och rengöring av TV:ns bildskärm/hölje

Var noga med att lossa nätkabeln från eluttaget före rengöring. Observera följande försiktighetsåtgärder för att undvika degradering av material eller skärmens ytskikt.

- Använd en mjuk duk när du dammar av bildskärmen/hölet. Smuts som är svår att få bort kan du avlägsna genom att fukta duken med ett mildt, utspäddt rengöringsmedel.
- Spreja aldrig vatten eller rengöringsmedel direkt på TV-apparaten. Det kan droppa ner på skärmens underkant eller dess yttre delar och komma in i TV-apparaten, vilket kan orsaka skador på TV-apparaten.
- Använd aldrig skurdular med slipmedel, alkaliska eller sura rengöringsmedel, skurpulver eller skarpa lösningsmedel såsom alkohol, bensin, thinner eller insektspray. Om sådana material används, eller vid långvarig kontakt med gummi- eller vinylmaterial, kan skärmens ytskikt och höljet skadas.
- Rör inte TV:n om din hand är täckt med något kemiskt medel som handkräm eller solskyddskräm.
- Vi rekommenderar att du regelbundet dammsuger ventilationsöppningarna för att säkerställa fullgod ventilation.
- När du justerar TV:ns vinkel, rör den försiktigt så att TV:n inte flyttar sig eller glider av stativet.

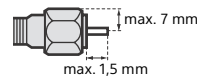


Extra utrustning

- Håll extra tillbehör och utrustning som avger elektromagnetisk strålning på avstånd från TV:n. Annars kan bildstörningar och/eller akustiskt brus uppstå.
- Denna utrustning har testats och befunnits följa gränsvärdena som anges i EMC-direktivet vid användning av en anslutningskabel som är kortare än 3 meter.

Rekommendation för kontakten av F-typ

Den inre tråden får inte skjuta ut mer 1,5 mm från anslutningsdelen.



(Referensritning för kontakten av F-typ)

Trådlös funktion

- Slå inte på enheten i närheten av medicinsk utrustning (pacemaker etc.), eftersom detta kan leda till felfunktion på den medicinska utrustningen.
- Även om den här enheten sänder/tar emot kodade signaler, bör du vara försiktig med icke- auktoriserat uppspännande. Vi kan inte hållas ansvariga för problem som uppstår.

Försiktighet vid hantering av fjärrkontrollen

- Var noga med att sätta in batterierna åt rätt håll (+ / -).
- Använd inte olika typer av batterier tillsammans och blanda inte gamla och nya batterier.
- Kasserar batterier enligt gällande miljöbestämmelser. I vissa regioner kan särskilda bestämmelser gälla för kassering av batterier. Rådfråga de lokala myndigheterna.
- Hantera fjärrkontrollen med varsamhet. Se till att inte tappa eller trampa på den och spill inga vätskor på den.
- Placera inte fjärrkontrollen i närheten av värmekällor, i direkt solljus eller i ett fuktigt rum.

SE

Kassering av TV-apparaten



Omhändertagande av gamla elektriska och elektroniska produkter (Användbar i den Europeiska Unionen och andra Europeiska länder med separata insamlingssystem)

Symbolen på produkten eller emballaget anger att produkten inte får hanteras som

hushållsavfall. Den skall i stället lämnas in på uppsamlingsplats för återvinning av el- och elektronikkomponenter. Genom att säkerställa att produkten hanteras på rätt sätt bidrar du till att förebygga eventuella negativa miljö- och hälsoeffekter som kan uppstå om produkten kasseras som vanligt avfall. Återvinning av material hjälper till att bibehålla naturens resurser. För ytterligare upplysningar om återvinning bör du kontakta lokala myndigheter eller sophämtningstjänst eller affären där du köpte varan.



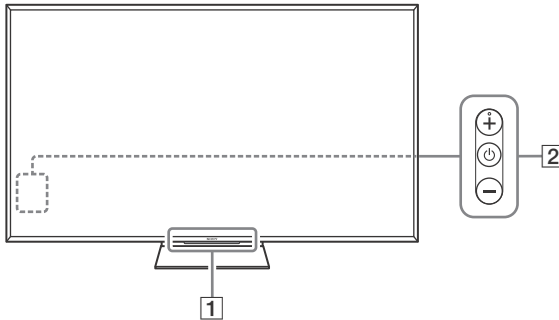
Avfallsinstruktion rörande förbrukade batterier (gäller i EU och andra europiska länder med separata insamlingssystem)

Denna symbol på batteriet eller på förpackningen betyder att batteriet inte skall

behandlas som vanligt hushållsavfall. På vissa batterier kan denna symbol användas i kombination med en kemisk symbol. Den kemiska symbolen för kvicksilver (Hg) eller bly (Pb) läggs till om batteriet innehåller mer än 0,0005 % kvicksilver eller 0,004 % bly. För att säkerställa för att dessa batterier blir kastade på ett riktigt sätt, kommer du att bidra till att skydda miljön och människors hälsa från potentiella negativa konsekvenser som annars kunnat blivit orsakat av felaktig avfallshantering. Återvinning av materialet vill bidra till att bevara naturens resurser. När det gäller produkter som av säkerhet, prestanda eller dataintegritetsskäl kräver permanent anslutning av ett inbyggt batteri, bör detta batteri bytas av en auktoriserad servicetekniker. För att försäkra att batteriet blir behandlat korrekt skall det levereras till återvinningsstation för elektriska produkter när det är förbrukat. För alla andra batterier, vänligen se avsnittet om hur man tar bort batteriet på ett säkert sätt. Lämna batteriet på en återvinningsstation för förbrukade batterier. För mer detaljerad information rörande korrekt avfallshantering av denna produkt eller batterier, vänligen kontakta ditt kommunkontor, din avfallsstation eller din återförsäljare där du köpt produkten.

Delar och reglage

Kontroller och indikatorer



1 Fjärrkontroll-sensor*1 / Ljussensor*1 / LED-belysning / 3D synk.-sändare*1*2

LED-belysningen tänds eller blinkar enligt TV:ns status.

- Vit
Vid påslagning av TV:n/bild släckt-läge/ programvaruuppdatering osv.
- Cyan
Vid trådlös anslutning med en mobil enhet.
- Rosa*2
Inspelningsläge.
- Gul
Timern är inställd.

2 ⏻ (Strömbrytare) / + / -

När TV:n är avstängd,

Tryck på ⏻ för att slå på strömmen.

När TV:n är påslagen,

Håll ned ⏻ tills strömmen slås av.

Tryck på ⏻ flera gånger för att byta funktion och tryck sedan på knappen + eller - för att:

- Justera volymen
- Välj kanal
- Välj ingångskälla för TV:n

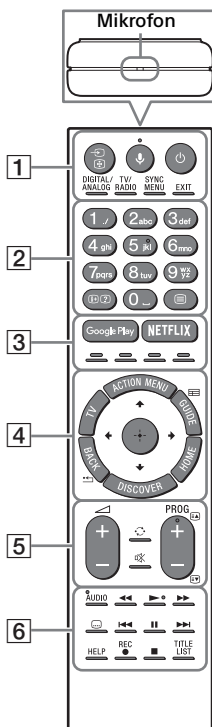
*1 Placera ingenting nära sensorn.

*2 Endast för begränsad region/land/TV-modell.

Använda fjärrkontrollen

Beskrivning av fjärrkontrollens delar

Fjärrkontrollknappens form, plats, tillgänglighet och funktion kan variera beroende på region/land/TV-modell.



1 (Ingångsväljare/Text halt)

I TV-läget: Visa och välj ingångskällan.
I textläget: Frys aktuell sida.

(Mikrofon)

Använd röstfunktion. (dvs. röststyrd sökning av innehåll.)

(TV-standby)

Slå på eller stäng av TV:n (standbyläge).

DIGITAL/ANALOG

Växla mellan digitalt och analogt läge.

TV/RADIO

Växla mellan sändningar från TV eller RADIO.

SYNC MENU

Visa BRAVIA Sync-menyn.

EXIT

Återgå till den föregående skärmen eller avsluta menyn. När en interaktiv programtjänst är tillgänglig trycker du för att avsluta tjänsten.

2 Sifferknappar

(Visa info/text)

Visa information.

(Text)

Visa textinformation.

3 Google Play

Få tillgång till onlinetjänsten "Google Play".

NETFLIX (Endast för begränsad region/land/TV-modell)

Få tillgång till onlinetjänsten "NETFLIX".

Färgknappar

Utför motsvarande funktion vid tillfället.

4 ACTION MENU

Visa en lista över relaterade funktioner.

TV

- Växla till en TV-kanal eller ingång från annat program.
- Sätt på TV:n för att se en TV-kanal eller ingång från ett annat program.

GUIDE/☰

Visa den digitala programguiden.

BACK/◀

Återgå till föregående skärm.

HOME

Visa TV:ns Home-meny.

DISCOVER

Ta fram innehållsfältet för att söka efter innehåll.

▲/▼/↔/⊕ (Välj alternativ/Enter)

5 🔊 +/- (Volym)

Justera volymen.

↻ (Hoppa)

Hoppa fram och tillbaka mellan två kanaler eller ingångar. TV:n växlar mellan den aktuella kanalen eller ingången och den senaste kanalen eller ingången som valdes.

🔇 (Ljud av)

Stäng av ljudet. Tryck igen för att återställa ljudet.

PROG +/-/⏪/⏩

I TV-läget: Välj kanal.

I textläget: Välj nästa (⏪) eller föregående (⏩) sida.

6 AUDIO

Ändra språk för det program som visas för tillfället.

☰ (Inställning av textning)

Slå på eller stäng av textning (när funktionen är tillgänglig).



Använd mediainnehåll på TV:n och ansluten BRAVIA Sync-kompatibel enhet.

HELP

Visa Hjälpmenyn. Härifrån kan du öppna hjälpguiden.

● RECALL

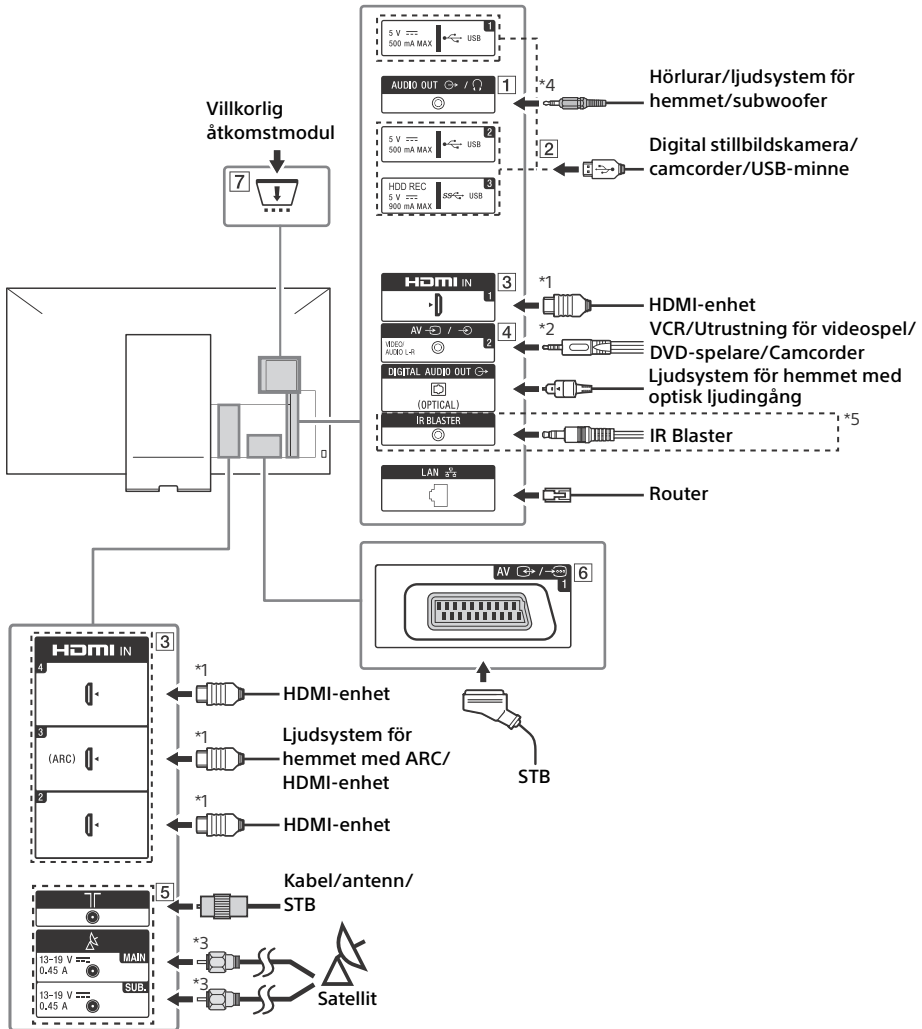
Spela in aktuellt program med USB HDD-inspelningsfunktionen.

TITLE LIST

Visa titellistan.

Kopplingschema

Se Hjälpguiden för mer information om anslutningar (sidan 2).



1 AUDIO OUT *4

- För att lyssna på ljudet från TV:n via ansluten utrustning trycker du på **HOME**. Välj [Inställningar] → [Ljud] → [Hörlurar/ljudutgång] och välj sedan önskat alternativ.

2 **USB 1/2**, **USB 3 (HDD REC)*5**

- Om du ansluter en stor USB-enhet kan den störa andra anslutna enheter i närheten.
- Om du ansluter en stor USB-enhet ska den anslutas till USB 1-uttaget.

3 HDMI IN 1/2/3/4

- Om du ansluter ett digitalt ljudsystem som är kompatibelt med ARC-tekniken (Audio Return Channel) bör du använda HDMI IN 3. Annars krävs ytterligare en anslutning till DIGITAL AUDIO OUT (OPTICAL).

4 **AV 2**

- För en kompositanslutning, använd den medföljande analoga förlängningskabeln*5.

5 **(RF-ingång)**, **(Satellitgång)**

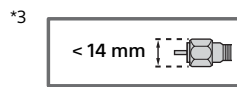
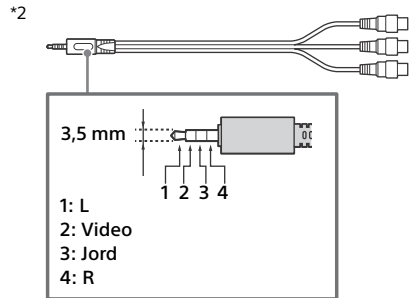
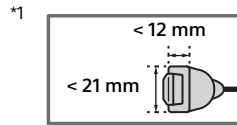
- Anslutningar för marksändning/kabel och satellit. Anslutningssteg: MAIN → Antenn → SUB.
- Anslut endast till SUB.-uttaget om du använder läget för dubbel mottagning. Undantaget är enkel kabel-TV EN50494.

6 **AV 1**

- Anslut med en SCART-kabel. När du ansluter en analog dekoder avger TV-mottagaren kodade signaler till dekodern och dekodern avkodar signalerna innan de matas ut.

7 **CAM (Villkorlig åtkomstmodul)**

- Tillhandahåller åtkomst till betal-TV-tjänster. Mer information finns i bruksanvisningen som medföljer din CAM.
- Sätt inte in smartkortet direkt i TV:ns CAM-plats. Det måste placeras i CAM-modulen som tillhandahålls av din auktoriserade återförsäljare.
- CAM stöds inte i vissa länder/områden. Fråga din auktoriserade återförsäljare.
- Ett CAM-meddelande kan visas när du växlar till ett digitalt program efter att ha använt Internetvideo.



*4 Stöder endast 3-polig stereominikontakt.

*5 Endast för begränsad region/land/TV-modell.

Montera TV:n på väggen

I bruksanvisningen för denna TV visas endast stegen för att förbereda montering av TV:n innan själva installationen på väggen utförs.

Till kunden:

Sony rekommenderar starkt att du låter din Sony-återförsäljare eller en auktoriserad installatör installera TV:n, både av säkerhetsskäl och för att skydda produkten. Försök inte installera den själv.

Till Sony-återförsäljare och installatörer:

Var ytterst noggrann med säkerheten vid installation, regelbundet underhåll och besiktning av denna produkt.

Experthjälp krävs för installation av denna produkt, speciellt för att avgöra väggens styrka att hålla TV:ns vikt. Var därför noga med att överlåta väggmontering av denna produkt till din Sony-återförsäljare eller en auktoriserad installatör, och var noggrann med säkerheten under installationen. Sony kan inte hållas ansvarigt för någon form av egendomsskador eller personskador som beror på felaktig hantering eller felaktig installation.

Använd väggfästet SU-WL450 (medföljer ej) (KD-65ZD9) för att montera TV:n på väggen. Se också bruksanvisningen och installationsguiden som medföljer väggfästet för montering av väggfästet.

Anmärkning

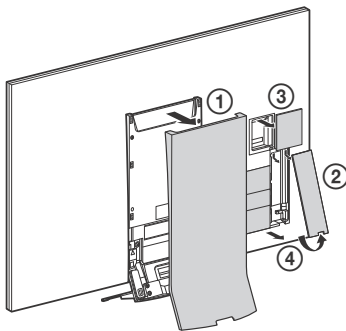
- Förvara alltid de borttagna skruvarna på en säker plats och håll dem borta från barn.



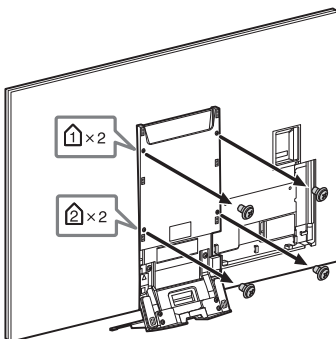
På följande webbplats finns det instruktioner om hur du installerar väggfästet till din TV-modell:
www.sony.eu/tv/wall-mount-bracket-manual

KD-65ZD9 endast

1 Ta bort sid-, inre, övre och mittkåporna.



2 Ta bort skruvarna från TV:ns baksida.



SE

KD-75ZD9 endast

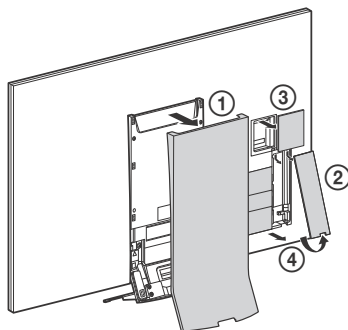
Din TV kan monteras på ett väggfäste (medföljer ej) direkt ur kartongen den kommer i. Förbered TV:n för väggfästet innan kablarna ansluts.

Sony rekommenderar av säkerhetsskäl och för att skydda produkten, att installationen av din TV på väggen utförs av kunniga personer. Försök inte installera den själv.

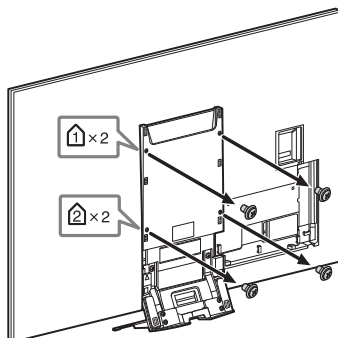
- Följ anvisningarna som levereras med väggfästet för din modell. Experthjälp krävs för installation av denna TV, speciellt för att avgöra väggens styrka att hålla TV:ns vikt.
- Se till att oanvända skruvar och bordsstativet förvaras på en säker plats tills du åter vill montera bordsstativet. Förvara skruvarna oåtkomligt för små barn.

KD-75ZD9 endast

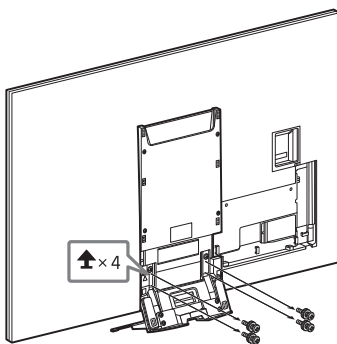
- 1 Ta bort sid-, inre, övre och mittkåporna.



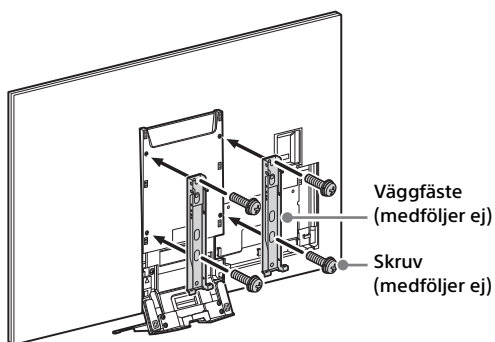
- 2 Ta bort skruvarna från TV:ns baksida.



3 Ta bort bordsstativet från TV:n.



4 Fäst väggfästet (medföljer ej) med skruvarna (medföljer ej).



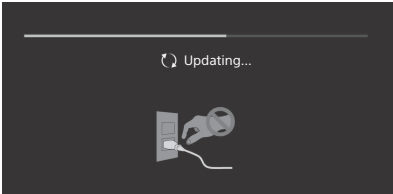
Anmärkning

- Om du använder en elektrisk skruvdragare, ställ in vridmomentet på ungefär 1,5 N·m {15 kgf·cm}.

Felsökning

För att hålla TV:ns mjukvara uppdaterad måste man ladda ner den senaste mjukvaruinformationen via det digitala sändningssystemet eller Internet och sedan uppdatera mjukvaran. Välj [Uppdatera nu] för att starta en mjukvaruuppdatering. LED-belysningen blinkar vit när mjukvaran uppdateras.

Följande skärm med [Updating...] (Uppdatera...) visas medan mjukvaran uppdateras.



Koppla inte ur nätkabeln under mjukvaruuppdateringen. Uppdateringen av mjukvaran kanske inte genomförs korrekt om du gör det, vilket kan leda till mjukvarufel. Mjukvaruuppdateringar kan ta upp till 30 minuter. Om du inte vill uppdatera mjukvaran automatiskt trycker du på **HOME** och väljer [Hjälp] → [Systemprogramuppdatering] → [Automatisk programnedladdning] → [Av].

När du kopplar in TV:n kanske det inte går att starta TV:n på ett tag även om du trycker på strömknappen på fjärrkontrollen eller TV:n, eftersom det tar tid att initiera systemet. Vänta cirka en minut och försök sedan igen. När du startar genom att trycka på strömknappen på fjärrkontrollen eller TV:n tar det tid för LED-belysningen att tändas och för fjärrkontrollen att fungera.

När lysdioden blinkar, räkna hur många gånger den blinkar (intervallet är tre sekunder).

Om LED-belysningen blinkar röd återställer du TV:n genom att koppla från nätströmmen i två minuter, starta sedan TV:n.

Kontakta din återförsäljare eller Sonys servicecenter om problemet kvarstår och ange hur många gånger LED-belysning blinkar röd (intervallet är tre sekunder). Koppla från nätströmmen och informera din återförsäljare eller Sonys servicecenter.

När lysdioden inte blinkar kontrollerar du de olika sakerna i tabellen nedan.

Du kan också kolla felsökningen i Hjälpguiden eller utföra självdiagnostik genom att välja [Hjälp] → [Självdiagnostik]. Om problemet kvarstår, kontakta en auktoriserad servicetekniker som kan serva din TV.

Problem och lösningar

Ingen bild (skärmen är mörk) och inget ljud.

- Kontrollera antenn/kabelanslutningen.
- Anslut TV:n till nätströmmen och tryck på \odot på TV:n eller fjärrkontrollen.

Vissa program kan inte ställas in.

- Kontrollera antenn/kabelanslutningen.
- Satellitkabeln kan vara kortsluten eller så kan det förekomma kontaktproblem med kabeln. Kontrollera kabeln och anslutningen och stäng därefter av TV:n med På / Av-omkopplaren för nätström och slå därefter på den igen.
- Frekvensen som du har angett är utanför området. Rådfråga det mottagande satellitsändningsföretaget.

Det finns ingen kabel-TV-tjänst (program).

- Kontrollera kabelanslutningen eller inställningen.
- Försök med [Digital automatisk kanalinställning] genom att välja [Egen antenn] istället för [Kabel-TV].

Fjärrkontrollen fungerar inte.

- Byt ut batterierna.

Lösenordet för [Barnlås (Sändning)] har glömts bort.

- Mata in PIN-koden 9999. Uppdatera PIN-koden genom att välja [Inställningar] → [Barnlås (Sändning)] → [Ändra PIN-kod].

Det blir varmt runt TV:n.

- När TV:n används under en längre tidsperiod blir det varmt runt TV:n. Du kan känna denna värme om du tar på panelen med handen.

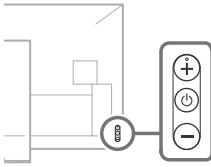
Fruset ljud eller frusen bild, en tom skärm eller om TV:n inte reagerar på TV:ns eller fjärrkontrollens knapptryckningar.

- Genomför en enkel återställning av TV:n genom att dra ur nätsladden i två minuter. Sätt sedan i den igen.

Det går inte att hitta knapparna , + och - på TV:n.

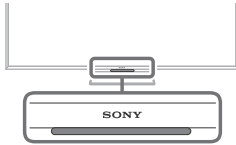
- Se bilden nedan för att hitta knapparna på TV:n.

TV:ns baksida



LED-belysning är på.


- Om du inte vill tända LED-belysning, kan du släcka den.
Tryck på **HOME**, välj sedan [Inställningar] → [LED-belysning] → [Av].



Går inte att ansluta till en trådlös router med WPS (Wi-Fi Protected Setup).

- Om du använder WEP-säkerhet, välj [Enkelt] → [Wi-Fi] → [Anslut via skanningslista]. Välj därefter det nätverksnamn (SSID) som du vill ansluta till.

Kan inte hitta det nätverksnamn som krävs för nätverksinställning.

- Välj [[Manuell inmatning]] och tryck på  för att ange nätverksnamn.

Specifikationer

System

Skärmsystem

LCD-skärm (bildskärm med flytande kristaller),
LED-bakgrundsbelysning

TV-system

Beroende på val av land/område/TV-modell

Analogt: B/G, D/K, L, I

Digitalt: DVB-T/DVB-C

DVB-T2*

Satellit*: DVB-S/DVB-S2

Färgsystem

PAL, SECAM, NTSC3.58 (Endast video), NTSC4.43
(Endast video)

Kanaltäckning

Beroende på val av land/område/TV-modell

Analogt: UHF/VHF/kabel

Digitalt: UHF/VHF/kabel

Satellit*: IF-frekvens 950-2 150 MHz

Ljudutgång

10 W + 10 W

Trådlös teknik

Protokoll IEEE802.11ac/a/b/g/n

(IEEE802.11ac kanske inte finns tillgängligt
beroende på land/region.)

Bluetooth version 4.1

- * Vissa TV-apparater har ingen DVB-T2- eller DVB-S/S2-
teknologi eller ingen terminal för satellitantenn.

Uttag för ingångar/utgångar

Antenn/kabel

75 ohms extern anslutning för VHF/UHF

Satellitantenn

Honkontakt av F-Typ, 75 ohm.

DiSEqC 1.0, LNB 13 V/18 V & 22 kHz-ton, Distr. via
enkel kabel-TV EN50494.

/ AV 1

21-polig scart-kontakt (CENELEC standard) inkl.
ljud/videoingång, RGB-ingång och TV-ljud/
videoingång.

/ AV 2

Video/Audio-ingång (minijack)

HDMI IN 1, 2, 3, 4 (stöd för 4K-upplösning, HDCP 2.2-kompatibel)

Video (2D):

4096 × 2160p (50, 60 Hz)*¹, *², 4096 × 2160p (24 Hz)*¹, 3840 × 2160p (50, 60 Hz)*², 3840 × 2160p (24, 25, 30 Hz), 1080p (30, 50, 60 Hz), 1080/24p, 1080i (50, 60 Hz), 720p (30, 50, 60 Hz), 720/24p, 576p, 576i, 480p, 480i, PC-format

*¹ 3840 × 2160p visas när 4096 × 2160p matas in
*² Endast HDMI IN 2 / 3.

Video (3D) (Endast 3D-kompatibla modeller):



Frame Packing: 1080p (30Hz), 1080/24p, 1080i (50, 60Hz), 720p (30, 50, 60Hz), 720/24p
Sida-vid-sida: 1080p (50, 60Hz), 1080/24p, 1080i (50, 60Hz), 720p (50, 60Hz)
Över-under: 1080p (30, 50, 60Hz), 1080/24p, 1080i (50, 60Hz), 720p (50, 60Hz)

Ljud: 5,1-kanals linjär PCM: 32, 44,1, 48, 88,2, 96, 176,4 och 192 kHz, 16-, 20- och 24-bitars, Dolby Digital, Dolby Digital Plus och DTS



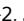
ARC (Audio Return Channel) (endast HDMI IN 3) (tvåkanalig linjär PCM, Dolby Digital, Dolby Digital Plus, DTS)

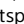
⊖ DIGITAL AUDIO OUT (OPTICAL)

Digitalt optiskt kontakt (tvåkanalig linjär PCM, Dolby Digital, DTS)

AUDIO OUT  /  (stereominiuttag)

Hörlurar, ljudutgång, subwoofer

•  1,  2,  3 (HDD REC)*¹

USB-enhetsport ( 3 USB HDD-enhet för REC-funktion)

USB-port 1 och 2 har stöd för High Speed USB (USB2.0).

USB-port 3 har stöd för Super Speed USB (USB3.0).



CAM-plats (CA-modul)



10BASE-T/100BASE-TX-kontakt (Beroende på nätverkets funktionsmiljö, kan anslutningshastigheten avvika. Kommunikations hastighet och -kvalitet för 10BASE-T/100BASE-TX garanteras inte för denna TV.)

IR BLASTER *¹

IR Blaster kabelingång (minijack)

Övrigt

Valfritt tillbehör

Väggfäste: SU-WL450 (KD-65ZD9 endast)

Trådlös subwoofer: SWF-BR100

Aktiva 3D-glasögon: TDG-BT500A



Driftstemperatur

0 °C – 40 °C

Driftsluftfuktighet

10 % – 80 % relativ luftfuktighet (icke-kondenserande)

Ström, informationsblad och annat

Strömförsörjning

Gradering: Inmatning 220 V - 240 V växelström (AC), 50 Hz

Energieffektivitetsklass

KD-75ZD9: B

KD-65ZD9: B

Skärmstorlek (diagonalt uppmätt) (Cirka)

KD-75ZD9: 189,3 cm / 75 tum

KD-65ZD9: 163,9 cm / 65 tum

Strömförbrukning

i [Standard]-läge

KD-75ZD9: 259 W

KD-65ZD9: 210 W

i [Dagsljus]-läge

KD-75ZD9: 453 W

KD-65ZD9: 347 W

Medelårsförbrukning*²

KD-75ZD9: 359 kWh

KD-65ZD9: 291 kWh


Effektförbrukning i viloläge*³*⁴ (standby)


0,50 W (27 W i programuppdateringsläge/EPG-uppdateringsläge)

Bildupplösning

3 840 punkter (horisontell) × 2 160 linjer (vertikal)

Uteffekt

USB 1/2: max. 5 V, , 500 mA

USB 3: max. 5 V, , 900 mA

Dimension (Cirka) (b × h × d)

med bordsstativ

KD-75ZD9: 168,4 × 104,7 × 27,8 cm

KD-65ZD9: 146,2 × 92,0 × 26,8 cm

utan bordsstativ

KD-75ZD9: 168,4 × 97,3 × 7,8 cm

KD-65ZD9: 146,2 × 84,7 × 7,8 cm

Vikt (Cirka)

med bordsstativ
KD-75ZD9: 45,1 kg
KD-65ZD9: 35,7 kg

utan bordsstativ
KD-75ZD9: 41,3 kg
KD-65ZD9: 32 kg

*1 Endast för begränsad region/land/TV-modell.

*2 Energiförbrukning per år, baseras på TV-apparatens strömförbrukning under 4 timmar per dag i 365 dagar. Den verkliga energiförbrukningen varierar beroende på hur TV-apparaten används.

*3 Specificerad standby-effekt uppnås när TV:n har avslutat nödvändiga interna processer.

*4 Strömförbrukningen i standbyläge ökar när din TV är ansluten till nätverket.

Anmärkning

- Ta inte ut atrappkortet ur TV CAM-facket (CA-modul) om du inte sätter i ett smart-kort som sitter i CAM.
- Tillgången på alternativa tillbehör beror på land/region/TV-modell/lager.
- Design och specifikationer kan ändras utan förvarning.

Anmärkningar om digital TV

- Funktioner avseende digital TV (DVB) fungerar endast i länder eller områden där DVB-T/DVB-T2 (MPEG-2 och H.264/MPEG-4 AVC) digitala marksignaler sänds eller där du har tillgång till en kompatibel DVB-C (MPEG-2 och H.264/MPEG-4 AVC) kabeltjänst. Hör med din återförsäljare om du kan ta emot en DVB-T/DVB-T2-signal där du bor eller fråga din kabelleverantör om deras DVB-C-tjänst är lämplig för integrerad användning med denna TV-apparat.
- Din kabelleverantör kanske tar ut en avgift för sina tjänster och du kanske måste godkänna leverantörens villkor för den aktuella tjänsten.
- Denna TV följer gällande specifikationer för DVB-T/DVB-T2 och DVB-C, men vi kan inte garantera kompatibilitet med framtida DVB-T/DVB-T2 digitala marksändningar och DVB-C digitala kabelsändningar.
- Vissa digitala TV-funktioner kanske inte är tillgängliga i vissa länder/områden och DVB-C-kabel kanske inte fungerar korrekt med vissa leverantörer.

Information om varumärken

- Orden HDMI och HDMI High-Definition Multimedia Interface, samt HDMI-logotypen är varumärken eller registrerade varumärken för HDMI Licensing LLC i USA och andra länder.
- Tillverkad på licens från Dolby Laboratories. Dolby, Dolby Audio och symbolen med dubbelt D är varumärken från Dolby Laboratories.
- "BRAVIA" och BRAVIA är varumärken tillhörande Sony Corporation.
- Gracenote, Gracenote eyeQ, Gracenote VideoID, Gracenote Video Explore, Gracenote-logotypen och "Powered by Gracenote"-logotypen är antingen registrerade varumärken eller varumärken som tillhör Gracenote i USA och/eller andra länder.
- Opera® Devices SDK from Opera Software ASA. Copyright 1995-2015 Opera Software ASA. All rights reserved.
- Wi-Fi, Wi-Fi Direct, Miracast, Wi-Fi Protected Setup och Wi-Fi CERTIFIED logotypen är varumärken eller registrerade varumärken som tillhör Wi-Fi Alliance.
- För DTS-patent se <http://patents.dts.com>. Tillverkad under licens från DTS, Inc. DTS, symbolen & DTS och symbolen tillsammans är registrerade varumärken och DTS Digital Surround är ett varumärke som tillhör DTS, Inc. © DTS, Inc. Med ensamrätt.
- QuickSet och QuickSet-logotypen är varumärken som tillhör Universal Electronics Inc. Portions © UEI 2000-2015
- Bluetooth® ordmärket och -logotypen ägs av Bluetooth SIG, Inc. och all användning av sådana märken av Sony Corporation sker under licens. Övriga varumärken och varunamn tillhör deras respektive ägare.
- DiSEqC™ är ett varumärke som tillhör EUTELSAT.
Denna TV stödjer DiSEqC 1.0. Denna TV bör inte användas för att manövrera motorstyrda antenner.
- TUXERA är ett registrerat varumärke som tillhör Tuxera Inc. i USA och andra länder.
- USB-IF SuperSpeed USB treuddslogotyp är ett registrerat varumärke som tillhör USB Implementers Forum, Inc. 

Indholdsfortegnelse

VIGTIG BESKED	2
Sikkerhedsoplysninger	3
Forholdsregler	5
Dele og knapper	7
Knapper og indikatorer	7
Brug af fjernbetjening	8
Beskrivelse af fjernbetjeningens dele	8
Tilslutningsdiagram	10
Vægmontering af tv'et	12
Kun KD-75ZD9	14
Fejlfinding	16
Problemer og løsninger	16
Specifikationer	17

Indledning

Tak fordi du valgte dette Sony-produkt. Før TV-apparatet betjenes, læses denne vejledning grundigt og beholdes til senere opslag.

Bemærk

- Før du benytter tv'et, bedes du læse "Sikkerhedsoplysninger" (side 3).
- Billeder og illustrationer i Installationsvejledningen og denne vejledning er udelukkende til referencebrug og kan afvige fra det faktiske produkt.

Placering af Installationsvejledningen

Installationsvejledningen er anbragt oven på polstringen inden i tv'ets kasse.

Hjælpevejledning

Funktionen Hjælp indeholder mange oplysninger om dit TV. Tryk på **HELP** på fjernbetjeningen for at bruge Hjælp-funktionen. Du kan finde vejledninger og fejlfinding på listen eller ved stemme- eller tekstbaseret nøgleordssøgning. Vælg [Hjælpevejledning] i menuen Hjælp for at få vist vejledningen. Hvis du slutter dit TV til internettet, opdateres funktionen Hjælp og oplysningerne.

Placering af identifikationsmærkat

Mærkatet med oplysninger om modelnummer, produktionsdato (år/måned) og strømforsyning findes på bagsiden af tv'et eller på emballagen. De bliver synlige ved at afmontere midterste dæksel.

ADVARSEL

PRODUKTET SKAL
HOLDES VÆK FRA
TÆNDTE LYS ELLER ANDEN
FORM FOR ÅBEN ILD FOR AT
UNDGÅ BRAND.



VIGTIG BESKED

Dette produkt er fremstillet af eller på vegne af Sony Corporation, 1-7-1 Konan Minato-ku Tokyo, 108-0075 Japan. Forespørgsler relateret til produkt overensstemmelse i henhold til EU lovgivning skal adresseres til den autoriserede repræsentant, Sony Belgium, bijkantoor van Sony Europe Limited, Da Vincilaan 7-D1, 1935 Zaventem, Belgien. For service eller garanti henviser vi til de adresser, som fremgår af vedlagte service- eller garantidokumenter.

Oplysninger om trådløst signal



Undertegnede Sony Corporation erklærer herved, at denne enhed er i overensstemmelse med de væsentlige krav og øvrige relevante krav i direktiv 1999/5/EF. For yderligere information gå ind på følgende hjemmeside: <http://www.compliance.sony.de/>

Bemærkning til kunder: følgende informationer gælder kun for udstyr, som sælges i lande, hvor EUDirektiverne gælder.

Trådløst tv-system kan muligvis bruges i følgende lande:

AT, BE, HR, CY, CZ, DK, EE, FI, FR, DE, GR, HU, IE, IT, LV, LT, LU, MT, NL, PL, PT, SK, SI, ES, SE, GB, IS, LI, NO, CH, BG, RO, TR, AL, BA, MK, MD, RS, ME, Kosovo

Dette udstyr kan bruges i andre ikkeeuropæiske lande.

Sikkerhedsoplysninger

ADVARSEL

Batterier må ikke udsættes for ekstrem varme som f.eks. solskin, brand eller lignende.

Placer aldrig TV'et på en ustabil placering. TV'et kan falde og medføre alvorlig personskade eller dødsfald. Mange skader, særligt ved børn, kan undgås ved at tage nogle simple forholdsregler såsom:

- Benyt kabinet eller stativ anbefalet af producenten af TV'et.
- Benyt kun møbler, der sikkert kan understøtte TV'et.
- Sørg for at TV'et ikke hænger ud over kanten på det understøttende møbel.
- Placer ikke TV'et på høje møbler (eksempelvis skab eller bogreoler), uden at forankre både møbel og TV'et på passende vis.
- Placer ikke TV'et på tekstil eller andre materialer, der kan ligge mellem TV'et og det understøttende møbel.
- Lær børn om de farer der findes, når man kravler på møbler for at nå TV'ets knapper.

Hvis dit eksisterende TV bliver afhentet og flyttet, gælder de samme forholdsregler.

Installation/Opsætning

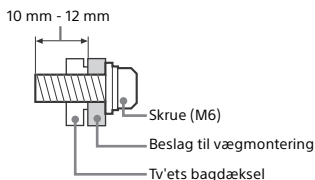
Installer og brug tv'et i overensstemmelse med nedenstående vejledning for at undgå brand, elektrisk stød eller skader på personer og materiel.

Installation

- Tv'et skal sættes op ved en let tilgængelig stikkontakt.
- Anbring tv'et på en stabil, plan overflade, så det ikke vælter, og forårsager personskade eller skader på ejendom.
- Placer tv'et et sted, hvor der ikke kan trækkes i det, hvor det ikke skubbes eller væltes.
- Kun en autoriseret installatør må udføre væginstallationer.
- Af sikkerhedsmæssige grunde anbefales det at anvende Sony tilbehør, herunder:
Beslag til vægmontering
– SU-WL450 (kun KD-65ZD9)
- Sørg for at bruge de skruer, der følger med Beslaget til vægmontering ved montering af Beslaget til vægmontering på TV'et. De medfølgende skruer er designet som vist på illustrationen, når der måles fra fastgørelsesoverfladen til Beslaget til vægmontering.

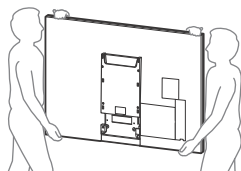
Skruernes diameter og længde afhænger af modellen på vægbeslaget.

Hvis der anvendes andre skruer end de medfølgende, kan det medføre indvendige skader på TV-apparatet eller få det til at falde ned eller lignende. Placer tv'et et sted, hvor der ikke kan trækkes i det, hvor det ikke skubbes eller væltes.



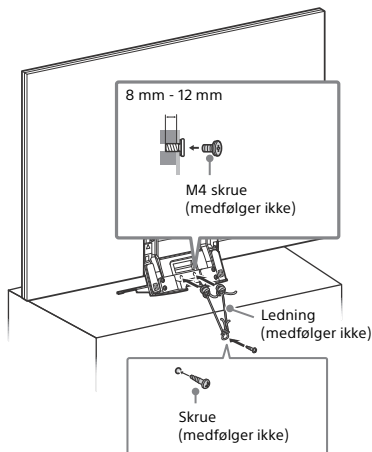
Transport

- Før transport af tv'et tages alle kabler ud.
- Der skal mindst to eller tre personer til at bære et stort tv.
- Når TV'et flyttes med hånden, skal det holdes som vist nedenfor. Belast ikke LCD-skærmen og rammen omkring skærmen.



- Tv'et må ikke udsættes for fysiske stød eller kraftige vibrationer under transport.
- Tv'et skal pakkes ind i originalemballagen og sættes ned i originalkassen, når det skal til reparation eller blot flyttes.

Vælteforebyggelse

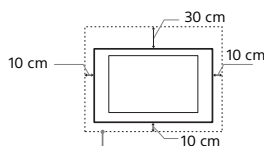


DK

Ventilation

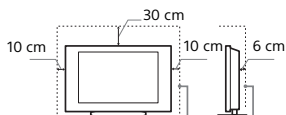
- Tildæk ikke ventilationshullerne og stik ikke noget ind i kabinettet.
- Der skal være plads omkring tv'et som vist nedenfor.
- Det anbefales stærkt at anvende et Sony vægbeslag for at sikre tilstrækkelig luftcirkulation.

Monteret på væggen



Der skal være mindst så meget plads omkring tv'et.

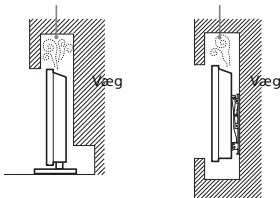
Monteret på stander



Der skal være mindst så meget plads omkring tv'et.

- For at sikre tilstrækkelig ventilation og forhindre ansamling af støv og snavs:
 - Læg ikke tv'et fladt ned og monter det ikke på hovedet, bagvendt eller sidevendt.
 - Tv'et må ikke installeres på en hyld, et tæppe, en seng eller i et skab.
 - Tv'et må ikke dækkes til med stof, f.eks. gardiner, eller andre ting, f.eks. aviser, osv.
 - Installer ikke Tv'et som vist nedenfor.

Luftcirkulationen afspærres.



- Placer tv'et i fugtige ellers støvede omgivelser eller i et lokale med oliefyldt røg eller damp (nær kogepladser eller befugtere). Det kan medføre brand, elektrisk stød eller vridning.



- Monter tv'et på steder, der er udsat for ekstrem temperatur, som f.eks. i direkte sollys, i nærheden af en radiator eller i nærheden af en ventilationsåbning. I sådanne tilfælde kan tv'et blive overophedet, hvilket kan medføre, at kabinettet slår sig, og/eller at tv'et svigter.



- Hvis tv'et placeres i omklædningsrummet en offentlig badeanstalt eller spa bad, kan tv'et blive ødelagt af luftbåret svovl osv.



Netledning

- Brug netledningen og stikket som følger for at undgå brand, elektrisk stød eller skader på personer og materiel:
- Brug kun netledninger fra Sony, ikke fra andre leverandører.
 - Stikket skal sættes helt ind i kontakten.
 - Slut kun tv'et til en stikkontakt med 220 V -240 V AC.
 - Af sikkerhedshensyn skal du trække netledningen ud af stikket og være omhyggelig med ikke at vikle fødderne ind i kablerne.
 - Tag netledningen ud af stikkontakten, før du arbejder eller flytter på tv'et.
 - Hold netledningen væk fra varmekilder.
 - Tag netstikket ud og rengør det med jævne mellemrum. Hvis stikket er dækket med støv og tiltrækker fugt, forringes isoleringen, og der kan opstå brand.

Bemærk

- Du må ikke bruge den medfølgende netledning med andet udstyr.
- Undgå så vidt muligt at klemme, bøje eller sno netledningen. Ledningsstråden kan være afisoleret eller knækket.
- Du må ikke ændre på netledningen.
- Du må ikke placere tunge genstande på netledningen.
- Træk ikke i selve ledningen, når stikket skal tages ud af stikkontakten.
- Du må ikke slutte for mange apparater til samme stikkontakt.
- Du må ikke bruge stikkontakter, som stikket ikke passer i.

Forbudt brug

Tv'et må ikke placeres eller anvendes på steder eller i omgivelser eller situationer som de nedenfor beskrevne. Ellers kan tv'et fungere dårligt og forårsage brand, elektrisk stød og personskader.

Placering:

- Udendørs (i direkte sollys), på stranden, på et skib eller et andet fartøj, i et køretøj, på hospitaler, ustabile placeringer, tæt på vand, fugt eller røg.

Omgivelser:

- Steder, der er varme, fugtige eller meget støvede, hvor der kan komme insekter ind, hvor det kan blive udsat for mekaniske vibrationer, tæt på brændbare genstande (stearinlys ol.). TV-apparatet må ikke udsættes for dryp eller stænk, og der må ikke anbringes væskefyldte genstande som f.eks. vaser på TV-apparatet.

Situation:

- Tv'et, hvis dine hænder er våde, hvis kabinettet er afmonteret eller med tilbehør, der ikke anbefales af producenten. Tag tv'ets netledning ud af stikkontakten i tordenvejr.
- Monter tv'et, så det rager frem i det åbne rum. Det kan medføre skader eller ødelæggelse på grund af en person eller en ting, som rammer ind i tv'et.



- Hvis du vil opnå den bedste billedkvalitet, må du ikke udsætte skærmen for direkte belysning eller sollys.
- Undgå at flytte tv'et fra et koldt sted til et varmt sted. Pludselige ændringer i rumtemperaturen kan medføre kondensering. Det kan betyde, at tv'et viser et dårligt billede og/eller dårlige farver. Hvis det sker, skal du sørge for, at fugten fordamper helt, før du tænder for tv'et.

Ituslåede dele:

- Du må ikke kaste genstande mod tv'et. Skærmglasset kan knuses af slaget og anrette alvorlig personskade.
- Hvis tv'ets overflade revner, må du ikke røre det, for du har trukket netledningen ud af stikkontakten. Ellers kan det medføre elektrisk stød.

Når tv'et ikke er i brug

- Hvis du ikke anvender tv'et i flere dage, skal det afbrydes fra lysnettet af miljø- og sikkerhedshensyn.
- Da tv'et ikke er helt afbrudt fra lysnettet, selvom det er slukket, skal stikket tages ud af stikkontakten for at afbryde tv'et fuldkomment.
- Visse tv'er kan have funktioner, som kræver, at tv'et altid skal være i standby for at fungere korrekt.

Børn

- Lad ikke børn klatre op på tv'et.
- Mindre tilbehør skal opbevares utilgængeligt for børn, så det ikke sluges ved en fejl.

Hvis følgende problemer opstår...

Sluk tv'et og træk straks netledningen ud af stikkontakten, hvis følgende problemer opstår. Bed din forhandler eller Sony servicecenter om at få tv'et efterset af autoriserede serviceteknikere.

Når:

- Netledningen er beskadiget.
- Stikket passer dårligt.
- Tv'et er beskadiget som følge af at være tabt eller slået, eller der er kastet genstande mod det.
- Væske eller genstande er trængt ind gennem kabinettets åbninger.

Om LCD TV temperatur

Når LCD TV'et bruges gennem en længere periode, bliver det omkring panel varmt. Det er meget varmt, når du berører enheden med hånden.

Forholdsregler

Bemærk når du ser TV

- Der skal være moderat belysning, da det kan belaste dine øjne at se tv ved dårligt lys eller i længere tid.
- Når du bruger hovedtelefoner, skal du justere lyden, så den ikke er for høj, da det kan skade hørelsen.

(Kun 3D-kompatible modeller)

- Nogle mennesker kan opleve ubehag (f.eks. belastning af øjnene, træthed eller utilpashed), når de ser 3D-videobilleder eller afspiller stereoskopiske 3D-spil. Sony anbefaler alle brugere at holde pause med jævne mellemrum, når de ser 3D-videobilleder eller afspiller stereoskopiske 3D-spil. Hvor længe og hvor ofte en person skal holde pause, varierer fra person til person. Du kan bedst selv finde ud af, hvad der fungerer bedst for dig. Hvis du oplever ubehag, skal du stoppe med at se 3D-videobilleder eller afspille stereoskopiske 3D-spil, indtil ubehaget er forsvundet; kontakt eventuelt en læge, hvis du mener, at der er brug for det. Du bør også se (i) betjeningsvejledningen for alle andre enheder eller medier, som bruges sammen med dette tv, og (ii) vores hjemmeside (www.sony.eu/support) for de nyeste oplysninger. Små børns syn (især dem under seks år) udvikler sig stadig. Kontakt en læge (f.eks. en børnelæge eller øjenlæge), før du giver små børn lov til at se 3D-videobilleder eller afspille stereoskopiske 3D-spil. Voksne bør holde øje med små børn for at være sikker på, at de følger anbefalingerne anført ovenfor.
- Brug, opbevar eller efterlad ikke 3D-brillerne eller batteri nær et ildsted, eller på steder med en høj temperatur, f.eks. i direkte sollys eller i en bil, der opvarmes af solen.

LCD-skærm

- Selvom LCD-skærmen er fremstillet med højpræcisionsteknologi og 99,99 % eller flere effektive pixler, kan der forekomme sorte pletter eller lysende punkter (røde, blå eller grønne), der optræder konstant på LCD-skærmen. Det er en konstruktionsmæssig egenskab ved LCD-skærmen og ikke en fejl.
- Tryk ikke og skrab ikke frontfilteret, og placer ikke genstande oven på tv'et. Billedet kan blive uensartet, eller LCD-skærmen kan blive beskadiget.
- Hvis tv'et bruges et sted, hvor der er koldt, kan billedet virke udværet eller blive mørkt. Dette er ikke tegn på fejl. Fænomenerne forsvinder, efterhånden som temperaturen stiger.
- Der kan forekomme skygge billeder (ghosting), når der konstant vises stillbilleder. Det forsvinder efter et øjeblik.
- Skærmen og kabinettet kan blive varmt, når tv'et er i brug. Dette er ikke en fejl.
- LCD-skærmen indeholder en lille mængde flydende krystal. Følg de lokale regler og retningslinjer for bortskaffelse.

Behandling og rengøring af tv'ets skærmoverflade og kabinet

Sørg for at tage netledningen til tv'et ud af stikkontakten før rengøring.

Følg nedenstående forholdsregler for at undgå nedbrydning af materialer eller skærmbelægning.

- Tør støv forsigtigt af skærmen/kabinettet med en blød klud. Hvis støvet sidder fast, skal skærmen tørres forsigtigt af med en hårdt opvredet blød klud, der er fugtet let med vand og et mildt rengøringsmiddel.
- Sprøjt aldrig vand eller rengøringsmiddel direkte på tv'et. Det kan dryppe til bunden af skærmen eller udvendige dele og komme ind i tv'et, hvilket kan medføre skader på tv'et.
- Du må ikke bruge skuresvampe, opløsningsmidler eller syreholdige rengøringsmidler, skurepulver eller flygtige opløsningsmidler som alkohol, rensebenzin, fortynder eller insektmiddel. Brug af sådanne midler eller længerevarende kontakt med gummi- eller vinylmaterialer kan beskadige skærmens overflade og kabinetmaterialet.
- Bør ikke tv'et med dine hænder hvis de er påført nogen form for kemiske stoffer så som håndcreme eller solcreme.



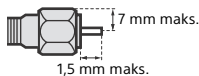
- Jævnlig støvsugning af ventilationshullerne tilrådes for at sikre tilstrækkelig ventilation.
- Når vinklen på tv'et skal justeres, skal du bevæge det langsomt for at undgå, at det flytter sig eller glider ned fra bordstanderen.

Ekstraudstyr

- Hold ekstraudstyr eller andet udstyr, der udsender elektromagnetisk stråling, på afstand af tv'et. Ellers kan billedforvrængning og/eller dårlig lyd forekomme.
- Dette udstyr er blevet testet og fundet at overholde grænserne i EMC-direktivet ved brug af et tilslutningskabel, der ikke er længere end 3 m.

Anbefaling af F-type stik

Den indvendige tråd må ikke stikke mere ud fra tilslutningsåbningen end 1,5 mm.



(Referencetegning af F-type stik)

Ved brug af trådløs funktion

- Brug ikke denne enhed i nærheden af medicinsk udstyr (pacemaker, osv.), da dette kan resultere i funktionsfejl i det medicinske udstyr.
- Selvom denne enhed sender/modtager scrambled signaler, vær opmærksom på uautoriseret aflytning. Vi hæfter ikke for følgerne heraf.

Vær forsigtig ved håndtering af fjernbetjeningen

- Overhold den korrekte polaritet ved isætning af batterier.
- Brug ikke forskellige batterityper eller gamle og nye batterier samtidigt.
- Bortskaf batterier på en miljøvenlig måde. I visse områder kan der være regler for bortskaffelse af batterier. Rådspørg de lokale myndigheder.
- Behandl fjernbetjeningen med omhu. Tab den ikke, træng ikke på den, og spild ikke nogen form for væske på den.
- Læg ikke fjernbetjeningen på steder nær en varmekilde eller på steder i direkte sollys eller i fugtige lokaler.

DK

Bortskaffelse af tv'et



Håndtering af udtjente elektriske og elektroniske produkter (Gælder for den Europæiske Union og andre europæiske lande med separate indsamlingssystemer)

Dette symbol på produktet eller emballagen angiver, at produktet ikke må behandles som husholdningsaffald. Det skal i stedet indleveres på en genbrugsplads specielt indrettet til

modtagelse og oparbejdning af elektriske og elektroniske produkter. Ved at sikre at produktet bortskaffes korrekt, forebygges de eventuelle negative miljø- og sundhedsskadelige påvirkninger, som en ukorrekt affaldshåndtering af produktet kan forårsage. Genindvinding af materialer vil medvirke til at bevare naturens ressourcer. Yderligere information om genindvindingen af dette produkt kan fås hos kommunen, det lokale renovationselskab eller butikken, hvor produktet blev købt.



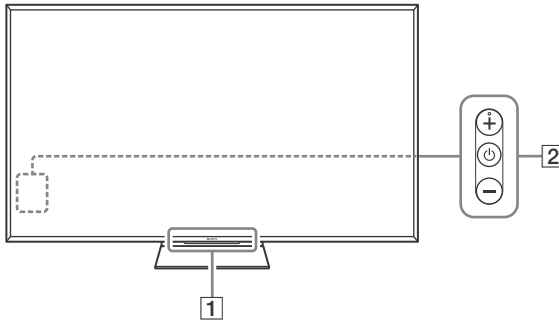
Fjernelse af udtjente batterier (gælder for den Europæiske Union og andre europæiske lande med separate indsamlingssystemer)

Dette symbol på batteriet eller emballagen betyder, at batteriet leveret med dette produkt ikke må bortskaffes som husholdningsaffald.

På visse batterier kan dette symbol anvendes i kombination med et kemisk symbol. Det kemiske symbol for kviksølv (Hg) eller bly (Pb) er anført hvis batteriet indeholder mere end 0,0005 % kviksølv eller 0,004 % bly. Ved at sikre at sådanne batterier bortskaffes korrekt, tilsikres det, at de mulige negative konsekvenser for sundhed og miljø, som kunne opstå ved en forkert affaldshåndtering af batteriet, forebygges. Materiale genindvindingen bidrager ligeledes til at beskytte naturens ressourcer. Hvis et produkt kræver vedvarende elektricitetsforsyning af hensyn til sikkerheden samt ydeevnen eller data integritet, må batteriet kun fjernes af dertil uddannet personale. For at sikre en korrekt håndtering af batteriet bør det udtjente produkt kun afleveres på dertil indrettede indsamlingspladser beregnet til affaldshåndtering af elektriske og elektroniske produkter. Med hensyn til øvrige batterier, se venligst afsnittet der omhandler sikker fjernelse af batterier. Batterier skal derefter afleveres på et indsamlingsted beregnet til affaldshåndtering og genindvinding af batterier. Yderlige information om genindvinding af dette produkt eller batteri kan fås ved at kontakte den kommunale genbrugsstation eller den butik, hvor produktet blev købt.

Dele og knapper

Knapper og indikatorer



1 Fjernbetjeningens sensor*1 / Lyssensor*1 / Belysnings-LED / 3D-synkroniseringssender*1*2

Belysnings-LED'en lyser eller blinker i overensstemmelse med TV'ets status.

- Hvid
Når tv'et tændes/uden billed-tilstand/
softwareopdatering osv.
- Cyan
Ved trådløs tilslutning til en mobilenhed.
- Lyserød*2
Optagetilstand.
- Gul
Timer er indstillet.

2 ⏻ (Power) / + / -

Når dit TV er slukket,

Tryk på ⏻ for at tænde.

Når dit TV er tændt,

Tryk længe på ⏻ for at slukke.

Tryk på ⏻ flere gange for at ændre funktionen, og tryk derefter på + eller - knappen for at:

- Justering af lydstyrke
- Valg af kanal
- Valg af indgangskilde for TV

*1 Anbring ikke noget i nærheden af sensoren.

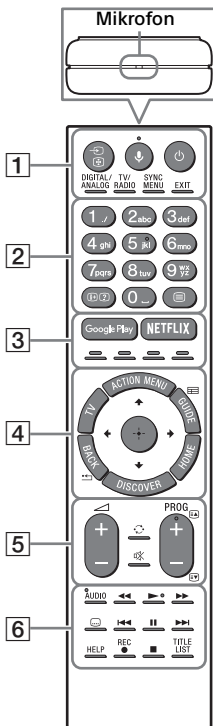
*2 Kun ved begrænset region/land/TV-model.

DK

Brug af fjernbetjening

Beskrivelse af fjernbetjeningens dele

Fjernbetjeningens form, placering, tilgængelighed og funktion kan variere afhængigt af region/land/tv-model.



1 (Indgangsvælger/Stop på side)

I TV-tilstand: Vis og vælg indgangskilden.
I teksttilstand: Stop på den aktuelle side.

(Mikrofon)

Brug af talefunktion (f.eks. søg på forskelligt indhold via tale).

(TV-standby)

Tryk på TV (standby) for at tænde eller slukke tv'et.

DIGITAL/ANALOG

Skift mellem digital og analog tilstand.

TV/RADIO

Skift mellem TV- eller RADIO-udsendelser.

SYNC MENU

Vis BRAVIA Sync-menuen.

EXIT

Skift til den forrige skærm eller afslut menuen. Når en interaktiv tjeneste er tilgængelig, skal du trykke på denne knap for at afslutte tjenesten.

2 Nummerknapper

(Informationer/Vis skjult tekst)

Vis information.

(Tekst-TV)

Viser tekstinformationer.

3 Google Play

Få adgang til "Google Play"-onlineservice.

NETFLIX (Kun ved begrænset region/land/tv-model)

Få adgang til "NETFLIX"-onlineservice.

Farveknapper

Udfør tilsvarende funktion på det tidspunkt.

4 ACTION MENU

Åbn en liste over kontekstafhængige funktioner.

TV

- Skift til en TV-kanal eller indgang fra andre applikationer.
- Tænd for tv'et for at vise tv-kanal eller indgang.

GUIDE/

Vis den digitale programvejledning.

BACK/

Vend tilbage til forrige skærm.

HOME

Vis TV-menuen Home.

DISCOVER

Hent indholdsbjælken for at søge efter indhold.

(Valg af element/Enter)

5 +/- (Lydstyrke)

Juster lydstyrken.

(Spring)

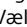
Spring frem og tilbage mellem to kanaler eller indgange. TV'et skifter mellem den aktuelle kanal eller indgang og den sidst valgte kanal eller indgang.

(Lydløs)

Slå lyden fra. Tryk igen for at slå lyden til.

PROG +/-//

I TV-tilstand: Vælg kanalen.

I teksttilstand: Vælg næste () eller forrige

() side.

6 AUDIO

Skift sprog for programmet, som aktuelt vises.

(Undertekst-indstilling)

Slå undertekster til eller fra (når funktionen er tilgængelig).

Betjen medieindhold på TV og tilsluttet BRAVIA Sync-kompatibel enhed.

HELP

Vis menuen Hjælp. Her kan du få adgang til Hjælpevejledningen.

● REC

Optag det aktuelle program med optagefunktionen USB HDD.

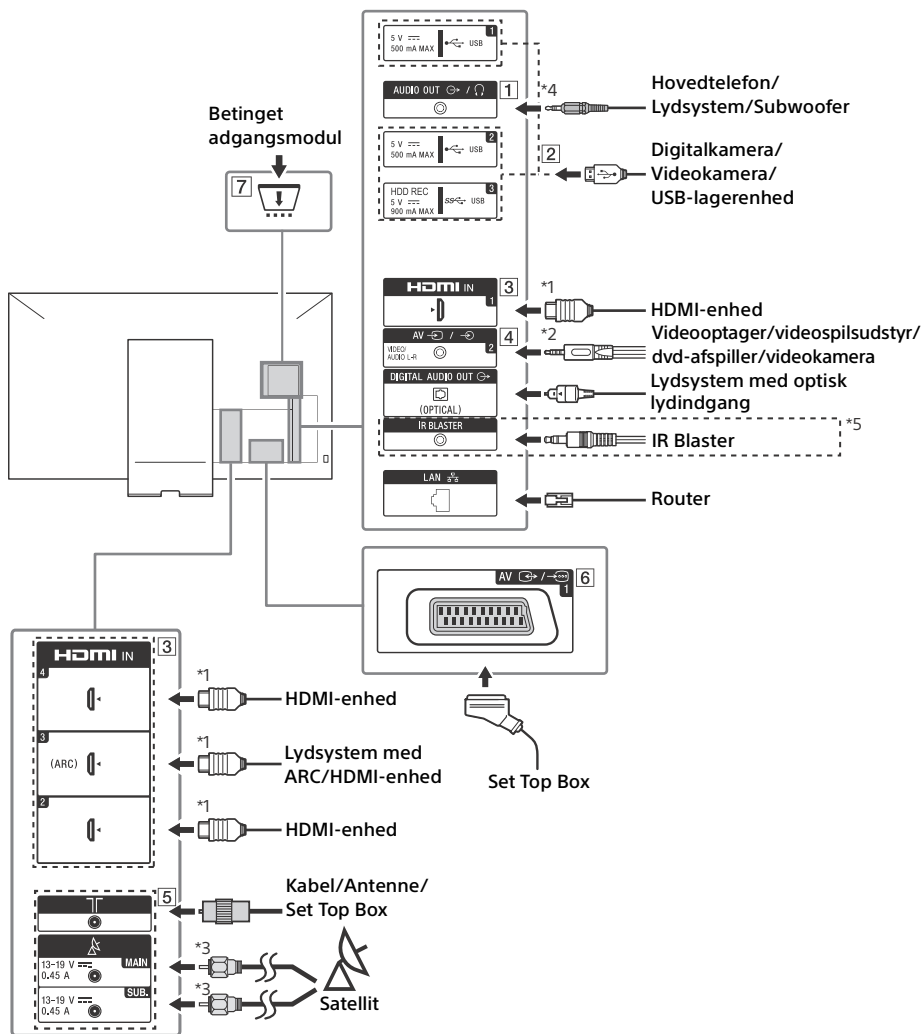
TITLE LIST

Vis Titellisten.

DK

Tilslutningsdiagram

Du kan finde flere oplysninger om tilslutninger i din Hjælpevejledning (side 2).



1 AUDIO OUT *4

- Tryk på **HOME** hvis du vil høre TV'ets lyd gennem det tilsluttede udstyr. Vælg [Indstillinger] → [Lyd] → [Hovedtelefon-/lydudgang], og vælg derefter det ønskede element.

2 **USB 1/2**, **USB 3 (HDD REC)*5**

- Tilslutning af en stor USB-enhed kan forstyrre andre tilsluttede enheder ved siden af den.
- En stor USB-enhed tilsluttes USB 1-stikket.

3 HDMI IN 1/2/3/4

- Hvis du tilslutter et digitalt lydsystem, der er kompatibelt med ARC (Audio Return Channel), skal du bruge HDMI IN 3. I modsat fald skal du lave en ekstra tilslutning med DIGITAL AUDIO OUT (OPTICAL).

4 **AV 2**

- Ved tilslutning af composit-stik skal det medfølgende analoge forlængerkabel anvendes*5.

5 **(RF-indgang)**, **(Satellitindgang)**

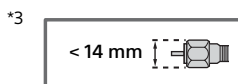
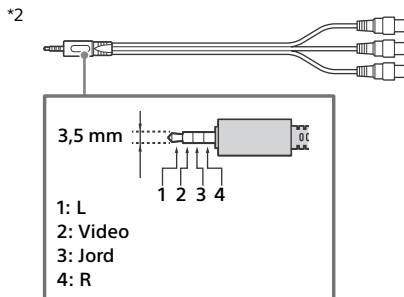
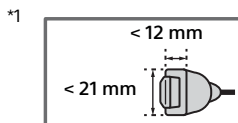
- Tilslutninger for terrestrisk/kabel og satellit. Tilslutning MAIN → Antenne → SUB.
- Ved SUB.-stik, skal du kun tilslutte, når du bruger dobbelt tunertilstand bortset fra Single Cable Distribution EN50494.

6 **AV 1**

- Tilslut med et SCART-kabel. Når du tilslutter en analog dekoder, sender TV-tuneren kodede signaler til dekoderen, og dekoderen afkoder signalerne, før de sendes videre.

7 **CAM (betinget adgangsmodule)**

- Giver adgang til betalings-TV-tjenester. For detaljer henvises til betjeningsvejledningen, som fulgte med CAM-modulet.
- Du må ikke sætte et smart-kort direkte i TV'ets CAM-slot. Det skal altid først sættes i et CAM-modul fra en autoriseret forhandler.
- CAM understøttes ikke i nogle lande/områder. Spørg din autoriserede forhandler.
- En CAM-meddelelse vises muligvis, når du skifter til et digitalt program, efter at du har brugt Internet Video.



*4 Understøtter kun 3-polet stereo minijack-stik.

*5 Kun ved begrænset region/land/TV-model.

DK

Vægmontering af tv'et

Tv'ets betjeningsvejledning viser trin til klargøring af tv'et, før vægmonteringen.

Til kunderne:

Af hensyn til produktets og den generelle sikkerhed anbefaler Sony på det kraftigste, at monteringen af tv'et udføres af en Sony-forhandler eller en autoriseret installatør. Du må ikke forsøge at montere det selv.

Til Sony-forhandlere og installatører:

Vær opmærksom på sikkerheden under montering, vedligeholdelse og eftersyn af produktet.

Monteringen af dette produkt kræver tilstrækkelig ekspertise. Dette er især vigtigt, når du skal finde ud af, om væggen kan bære tv'ets vægt. Monteringen af dette produkt skal udføres af en Sony-forhandler eller autoriseret installatør under hensyntagen til sikkerheden. Sony er ikke ansvarlig for beskadigelse eller personskade, der opstår som følge af forkert håndtering eller forkert montering.

Brug dit Beslag til vægmontering SU-WL450 (medfølger ikke) (KD-65ZD9) til at installere tv'et på en væg.

Når du fastgør dit Beslag til vægmontering, skal du læse den Betjeningsvejledning og det Monteringsark, der fulgte med dit Beslag til vægmontering.

Bemærk

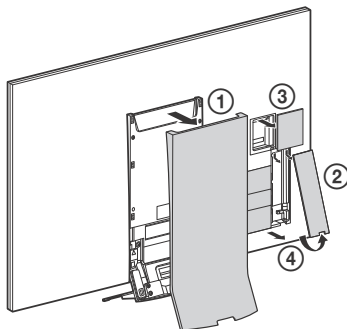
- Opbevar de fjernede skruer et sikkert sted – utilgængeligt for børn.



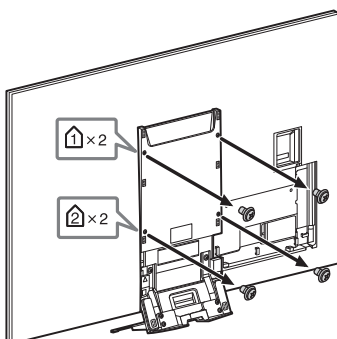
Se følgende websted for vejledning til montering af din tv-models beslag til vægmontering:
www.sony.eu/tv/wall-mount-bracket-manual

Kun KD-65ZD9

1 Fjern sidedækslet samt det indvendige, øverste og midterste dæksel.



2 Fjern skruer fra bagsiden af TV'et.



DK

Kun KD-75ZD9

Dit tv kan monteres på et beslag til vægophængning (medfølger ikke), direkte som det forefindes fra kassen.

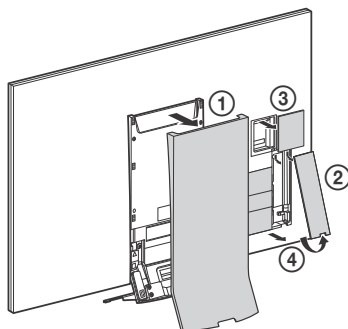
Klargør tv'et til beslaget til vægophængning, inden ledningerne tilsluttes.

Af hensyn til produktets og den generelle sikkerhed anbefaler Sony på det kraftigste, at vægmonteringen af TV'et udføres af autoriserede fagfolk. Forsøg ikke at montere det selv.

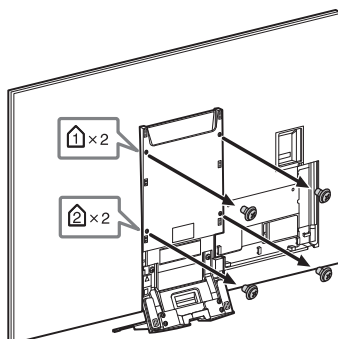
- Følg instruktionerne, som følger med beslaget til vægmontering for din model. Montering af dette TV kræver visse forudsætninger, især for at finde ud af, om væggen kan bære TV'ets vægt.
- Sørg for at opbevare de ubrugte skruer og tv-foden på et sikkert sted, indtil du er klar til at fastgøre tv-foden. Opbevar skruerne uden for børns rækkevidde.

Kun KD-75ZD9

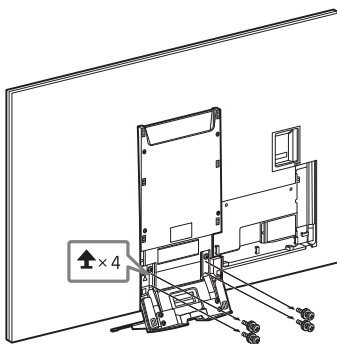
- 1 Fjern sidedækslet samt det indvendige, øverste og midterste dæksel.



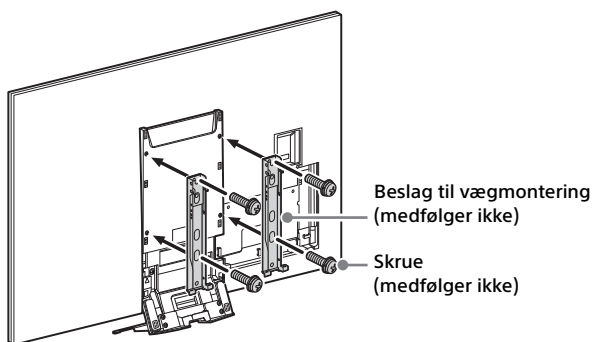
- 2 Fjern skruer fra bagsiden af TV'et.



3 Afmonter tv-foden fra tv'et.



4 Monter beslaget til vægophæng (medfølger ikke) med skruerne (medfølger ikke).



Bemærk

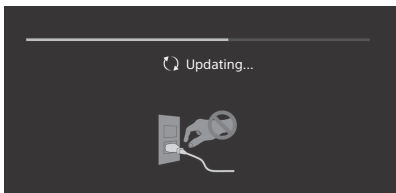
- Ved brug af elektrisk skruetrækker, sættes moment til omkring 1,5 N·m {15 kgf·cm}.

DK

Fejlfinding

Du skal holde tv'ets software opdateret ved at downloade den seneste software via det digitale sendesystem eller internettet og derefter opdatere softwaren. Vælg [Opdater nu] for at starte en softwareopdatering. LED-lampen blinker hvidt, mens softwaren opdateres.

Følgende skærm [Updating...] (Opdaterer...) vil vises, mens softwaren opdateres.



Du må ikke fjerne netledningen under en softwareopdatering. Hvis du gør dette, afsluttes softwareopdateringen ikke korrekt, hvilket kan medføre softwarefejl. Softwareopdateringer varer op til 30 minutter. Hvis du ikke ønsker, at softwaren skal opdateres automatisk, skal du trykke på **HOME** og vælge [Hjælp] → [Opdatering til systemsoftware] → [Automatisk softwaredownload] → [Fra].

Når du tilslutter TV'et, kan TV'et muligvis ikke tænde i noget tid, selvom du trykker på tænd/slukknappen på fjernbetjeningen eller TV'et, da det tager tid at initialisere systemet. Vent omkring et minut, og prøv igen.

Hvis du tænder ved at trykke på tænd/slukknappen på fjernbetjeningen eller TV'et, tager det tid at tænde belysnings-LED'en, og før fjernbetjeningen fungerer.

Når belysnings-LED'en blinker rødt, skal du tælle, hvor mange gange den blinker (interval på tre sekunder).

Hvis LED-lampen blinker rødt, skal du nulstille TV'et ved at trække netledningen ud af TV'et i to minutter og derefter tænde TV'et.

Hvis problemet ikke forsvinder, skal du kontakte forhandleren eller et Sony-servicecenter og oplyse antallet af gange Belysnings-LED blinkede rødt (interval på tre sekunder). Afbryd hovedledningen, og informer forhandleren eller Sony-servicecenteret.

Når belysnings-LED'en ikke blinker, skal du kontrollere punkterne i tabellen på følgende måde.

Se også fejlfinding i Hjælpevejledningen, eller udfør selvdiagnosticering ved at vælge [Hjælp] → [Selvdiagnosticering]. Hvis problemet fortsætter, skal du have dit TV til service hos kvalificeret servicepersonale.

Problemer og løsninger

Der er intet billede (skærmen er mørk) og ingen lyd.

- Kontroller antennen/kabelforbindelsen.
- Slut tv'et til strøm, og tryk på \odot på tv'et eller fjernbetjeningen.

Nogle programmer kan ikke indstilles.

- Kontroller antennen/kabelforbindelsen.
- Satellitkablet kan være kortslettet, eller der er tilslutningsproblemer med kablet. Kontroller kablet og tilslutningen, og sluk derefter tv'et på hovedkontakten tænd/sluk, og tænd det igen.
- Den indtastede frekvens er uden for området. Kontakt selskabet bag satellitudsendelsen.

Der er ikke fundet nogen Kabel-tv-tjenester (programmer).

- Kontroller kabeltilslutningen eller tuningkonfigurationen.
- Prøv [Aut. programindstilling] ved at vælge [Antenne] i stedet for [Kabel-TV].

Fjernbetjeningen virker ikke.

- Udskift batterierne.

Glemte kodeord for [Børnelås (udsendelse)].

- Indtast 9999 for PIN-kode. Opdater PIN-kode ved at vælge [Indstillinger] → [Børnelås (udsendelse)] → [Skift PIN-kode].

Tv'ets omgivelser bliver varme.

- Når tv'et bruges i en længere periode, bliver tv'ets omgivelser varme. Du kan mærke, at det er varmt ved at berøre det med hånden.

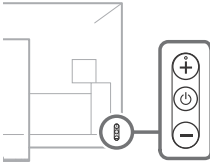
Video eller lyd fryser, skærmen er tom eller tv'et reagerer ikke på tv'ets eller fjernbetjeningens knapper.

- Udfør en enkel nulstilling af tv'et ved at tage netledningen ud i to minutter og derefter sætte den i igen.

Knapperne , + og – kan ikke findes på TV'et.

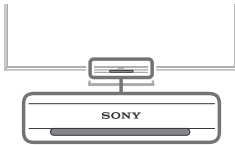
- Se nedenstående illustration for placering af knapperne på TV'et.

Bagsiden af TV'et



Belysnings-LED'en er tændt.


- Hvis du ikke vil have belysnings-LED'en tændt, kan du slukke for den.
Tryk på **HOME** og vælg derefter [Indstillinger] → [Belysnings-LED] → [Fra].



Kan ikke oprette forbindelse til en trådløs router med WPS (Wi-Fi Protected Setup).

- Hvis du bruger WEP-sikkerhed, skal du bruge [Nem] → [Wi-Fi] → [Opret forbindelse via scanning]. Vælg derefter det netværksnavn (SSID), som du vil tilslutte.

Kan ikke finde det krævede netværksnavn i netværksopstillingen.

- Vælg [[Manuel indtastning]], og tryk på  for at indtaste netværksnavnet.

Specifikationer

System

Panelsystem

LCD-panel (flydende krystal), LED-baggrundslys

Tv-system

Afhænger af land/områdevalg/tv-model

Analog: B/G, D/K, L, I

Digital: DVB-T/DVB-C

DVB-T2*

Satellit*: DVB-S/DVB-S2

Farvesystem

PAL, SECAM, NTSC3.58 (kun video), NTSC4.43 (kun video)

Kanaldækning

Afhænger af land/områdevalg/tv-model

Analog: UHF/VHF/kabel-tv

Digital: UHF/VHF/kabel-tv

Satellit*: IF-frekvens 950-2.150 MHz

Lydeffekt

10 W + 10 W

Trådløs teknologi

Protokol IEEE802.11ac/a/b/g/n

(IEEE802.11ac er ikke tilgængelig i alle lande/områder).

Bluetooth Version 4.1

- * Ikke alle tv-sæt har DVB-T2 eller DVB-S/S2-teknologi eller satellitantenneterminal.

Indgangs-/Udgangsstik

Antennekabel

75 ohm, eksternt stik til VHF/UHF

Satellitantenne

Hunстик af F-type stik, 75 ohm.

DiSEqC 1.0, LNB 13 V/18 V & 22 kHz-tone,

Enkeltkabeldistribution EN50494.

AV 1

21-bens scartstik (CENELEC-standard) med lyd/videoindgang, RGB-indgang og tv-lyd/videoudgang.

AV 2

Video-/lydindgang (minijack)

HDMI IN 1, 2, 3, 4 (understøtter 4K-opløsning, HDCP 2.2-kompatibel)

Video (2D):

4096 × 2160p (50, 60 Hz)^{*1, *2}, 4096 × 2160p (24 Hz)^{*1}, 3840 × 2160p (50, 60 Hz)^{*2}, 3840 × 2160p (24, 25, 30 Hz), 1080p (30, 50, 60 Hz), 1080i (50, 60 Hz), 720p (30, 50, 60 Hz), 720/24p, 576p, 576i, 480p, 480i, Pc-formater

^{*1} Når 4096 × 2160p er input, vises 3840 × 2160p

^{*2} Kun HDMI IN 2 / 3.

Video (3D) (kun 3D-kompatible modeller):

Billedpakning: 1080p (30Hz), 1080/24p, 1080i

(50, 60Hz), 720p (30, 50, 60Hz), 720/24p

Side om side: 1080p (50, 60Hz), 1080/24p, 1080i

(50, 60Hz), 720p (50, 60Hz)

Over-under: 1080p (30, 50, 60Hz), 1080/24p,

1080i (50, 60Hz), 720p (50, 60Hz)

Lyd: 5,1-kanals lineær PCM: 32, 44,1, 48, 88,2, 96,

176,4 og 192 kHz, 16, 20 og 24 bit, Dolby Digital,

Dolby Digital Plus og DTS


ARC (Audio Return Channel) (kun HDMI IN 3)

(to-kanals lineær PCM, Dolby Digital, Dolby Digital

Plus, DTS)


⊖ DIGITAL AUDIO OUT (OPTICAL)

Digitalt optisk stik (to-kanals lineær PCM, Dolby Digital, DTS)

AUDIO OUT  (Mini-stereostik)

Hovedtelefon, lydudgang, subwoofer

•  1,  2,  3 (HDD REC)^{*1}

USB-port ( 3 USB HDD-enhed til REC-funktion)

USB-port 1 og 2 understøtter High Speed USB (USB2.0).

USB-port 3 understøtter Super Speed USB (USB3.0).



CAM (Conditional Access Module)-holder

 LAN

10BASE-T/100BASE-TX-stik

(Forbindeshastigheden kan variere, afhængigt af netværksmiljøet. 10BASE-T/100BASE-TX-kommunikationshastigheden og -kvaliteten garanteres ikke for dette tv.)

IR BLASTER ^{*1}

IR Blaster kabelindgang (minijack-stik)

Andre

Ekstraudstyr

Beslag til vægmontering: SU-WL450 (kun KD-65ZD9)

Trådløs subwoofer: SWF-BR100

Aktive 3D-briller: TDG-BT500A



Driftstemperatur

0 °C til 40 °C

Fugtighed

10 % til 80 % RH (ikke-kondenserende)

Strøm, datablad og andet

Strømkrav

Mærkning: Input 220 V - 240 V AC, 50 Hz

Lavenergiklasse

KD-75ZD9: B

KD-65ZD9: B

Skærmstørrelse (målt diagonalt) (Ca.)

KD-75ZD9: 189,3 cm / 75 tommer

KD-65ZD9: 163,9 cm / 65 tommer

Strømforbrug

i [Standard] tilstand

KD-75ZD9: 259 W

KD-65ZD9: 210 W

i [Kraftig] tilstand

KD-75ZD9: 453 W

KD-65ZD9: 347 W

Gennemsnitligt årligt energiforbrug^{*2}

KD-75ZD9: 359 kWh

KD-65ZD9: 291 kWh

Strømforbrug i standby^{*3*4}


0,50 W (27 W i software-/EPG-opdateringstilstand)

Skærmopløsning

3.840 punkter (vandret) × 2.160 linjer (lodret)

Udgangseffekt

USB 1/2: 5 V, , 500 mA MAKS

USB 3: 5 V, , 900 mA MAKS

Mål (Ca.) (b × h × d)

Inkl. tv-fod

KD-75ZD9: 168,4 × 104,7 × 27,8 cm

KD-65ZD9: 146,2 × 92,0 × 26,8 cm

Uden tv-fod

KD-75ZD9: 168,4 × 97,3 × 7,8 cm

KD-65ZD9: 146,2 × 84,7 × 7,8 cm

Vægt (Ca.)

Inkl. tv-fod

KD-75ZD9: 45,1 kg

KD-65ZD9: 35,7 kg

Uden tv-fod

KD-75ZD9: 41,3 kg

KD-65ZD9: 32 kg

*1 Kun ved begrænset region/land/TV-model.

*2 Energiforbrug pr. år baseret på tv'ets strømförbrug ved brug 4 timer om dagen 365 om året. Det egentlige energiförbrug afhænger af, hvordan tv'et bruges.

*3 Den angivne standbyeffekt nås, når tv'et har afsluttet nødvendige interne processer.

*4 Strømförbruget i standby øges, når TV'et er tilsluttet netværket.

Bemærk

- Fjern ikke dummy-kortet fra TV CAM (Conditional Access Module)-holder medmindre du vil indsætte et smartcard, der er sat i et CAM.
- Tilgængeligheden af ekstra tilbehør afhænger af land/område/tv-model/lager.
- Design og specifikationer kan ændres uden varsel.


Bemærkninger om digital TV-funktion

- Funktioner i forbindelse med digitalt TV (DVB) fungerer kun i lande eller områder, hvor der udsendes i DVB-T/DVB-T2 (MPEG-2 og H.264/MPEG-4 AVC) digitale jordbundne signaler, eller der er adgang til en kompatibel DVB-C (MPEG-2 og H.264/MPEG-4 AVC) kabeltjeneste. Få at vide hos din lokale forhandler, om du kan modtage et DVB-T/DVB-T2-signal på din bopæl, eller spørg kabeludbyderen, om deres DVB-C kabeltjeneste er egnet til integreret betjening med dette TV-apparat.
- Kabeludbyderen kan opkræve et ekstra gebyr for en sådan service eller kræve, at du indvilger i deres forretningsbetingelser og -vilkår.
- Dette TV-apparat følger specifikationerne for DVB-T/DVB-T2 og DVB-C, men der er ikke garanti for kompatibiliteten med fremtidige DVB-T/DVB-T2 digitale jordbundne udsendelser og DVB-C digitale kabeludsendelser.
- Visse digitale tv-funktioner er muligvis ikke tilgængelige i visse lande/områder, og DVB-C-kabel fungerer eventuelt ikke korrekt hos visse udbydere.

Oplysninger om varemærker

- HDMI, High-Definition Multimedia Interface og HDMI-logoet er varemærker eller registrerede varemærker for HDMI Licensing LLC i USA og andre lande.
- Fremstillet under licens fra Dolby Laboratories. Dolby, Dolby Audio og det dobbelte D-symbol er varemærker tilhørende Dolby Laboratories.
- "BRAVIA" og BRAVIA er varemærker, der tilhører Sony Corporation.
- Gracenote, Gracenote eyeQ, Gracenote VideoID, Gracenote Video Explore, Gracenote-logoet og logotypen samt "Powered by Gracenote"-logoet er enten registrerede varemærker eller varemærker tilhørende Gracenote i USA og/eller andre lande.
- Opera® Devices SDK from Opera Software ASA. Copyright 1995-2015 Opera Software ASA. All rights reserved.
- Wi-Fi, Wi-Fi Direct, Miracast, Wi-Fi Protected Setup og Wi-Fi CERTIFIED Logo er varemærker eller registrerede varemærker hos Wi-Fi Alliance.
- For DTS-patenter henvises til <http://patents.dts.com>. Fremstillet under licens fra DTS, Inc. DTS, Symbol, & DTS og Symbol er sammen registrerede varemærker og DTS Digital Surround er et varemærke tilhørende DTS, Inc. © DTS, Inc. Alle rettigheder forbeholdes.
- QuickSet og QuickSet-logoer varemærker tilhørende Universal Electronics Inc. Portions © UEI 2000-2015
- Bluetooth® ordmærket og logoer er registrerede varemærker ejet af Bluetooth SIG, Inc., og enhver anvendelse af sådanne mærker anvendes af Sony Corporation under licens. Andre varemærker og handelsnavne tilhører deres respektive ejere.
- DiSEqC™ er et varemærke tilhørende EUTELSAT. Dette tv understøtter DiSEqC 1.0. Dette tv er ikke beregnet til at styre motoriserede antenner.
- TUXERA er et registreret varemærke tilhørende Tuxera Inc. i USA og andre lande.

DK

- USB-IF SuperSpeed USB Trident-logoet er et registreret varemærke tilhørende USB Implementers Forum, Inc. ®

Sisällysluettelo

TÄRKEÄ HUOMAUTUS.....	2
Turvallisuus-ohjeet.....	3
Varotoimenpiteet.....	5
Osat ja säätimet.....	7
Säätimet ja ilmaisimet.....	7
Kaukosäätimen käyttäminen.....	8
Kaukosäätimen osien kuvaus.....	8
Liitäntäkaavio.....	10
Television asennus seinälle.....	12
Vain KD-75ZD9.....	14
Vianetsintä.....	16
Ongelmat ja ratkaisut.....	16
Tekniset tiedot.....	17

Johdanto

Kiitos, että valitsit tämän Sonyn tuotteen. Lue nämä käyttöohjeet huolellisesti, ennen kuin alat käyttää televisiota. Säilytä käyttöohjeet tulevaa tarvetta varten.

Huomautus

- Lue ennen TV:n käyttöä "Turvallisuus-ohjeet" (sivu 3).
- Asetusoppaassa ja tässä käyttöohjeessa käytetyt kuvat ja piirroukset ovat ohjeellisia ja voivat poiketa kyseisestä tuotteesta.

Asetusoppaan sijainti

Asetusoppas on TV:n laatikossa pehmusteen päällä.

Käyttöopas

Ohje-toiminto tarjoaa paljon tietoja televisiostasi. Voit käyttää Ohje-toimintoa painamalla kaukosäätimen **HELP**-painiketta. Voit näyttää ohjeita ja viannääritysohjeita luettelosta, äänikomennolla tai tekstihaulla. Näytä käyttöopas valitsemalla [Käyttöopas] Ohje-valikosta. Jos liität television Internetiin, Ohje-toiminto ja tiedot päivitetään.

Tunnistemerkitöjen sijainti

Mallinumerotiedot, valmistuspäivämäärä (vuosi/kuukausi) ja jännitemerkintä sijaitsevat television takaosassa tai pakkauksessa. Ne löytyvät irrottamalla keskikansi.

VAROITUS

**ÄLÄ SIOITA
KYNTTILÄÄ TAI MUUTA
AVOTULTA TÄMÄN TUOTTEEN
LÄHELLE, JOTTA VÄLTÄT
TULIPALON VAARAN.**



TÄRKEÄ HUOMAUTUS

Tämä tuote on valmistettu Sony Corporationin puolesta, Sony Corporation, 1-7-1 Konan Minato-ku Tokyo, 108-0075 Japani. Tämän tuotteen Euroopan Unionin lainsäädännön vaatimustenmukaisuutta koskevat kyselyt tulee osoittaa valtuutetulle edustajalle, Sony Belgium, bijkantor van Sony Europe Limited, Da Vincilaan 7-D1, 1935 Zaventem, Belgia. Huolto tai takuu asioita koskevat kyselyt pyydämme ystävällisesti osoittamaan takuu tai huolto dokumenteissa mainituille edustajille.

Langattomaan signaaliin liittyvä huomautus



Sony Corporation vakuuttaa täten, että tämä laite on direktiivin 1999/5/EY oleellisten vaatimusten ja sitä koskevien direktiivien muiden ehtojen mukainen.

Halutessasi lisätietoja, käy osoitteessa:
<http://www.compliance.sony.de/>

Huomautus asiakkaille: seuraavat tiedot koskevat ainoastaan laitteita, joita myydään EU:n direktiivejä noudattavissa maissa.

Langatonta televisiojärjestelmää voi käyttää seuraavissa maissa:
AT, BE, HR, CY, CZ, DK, EE, FI, FR, DE, GR, HU, IE, IT, LV, LT, LU, MT, NL, PL, PT, SK, SI, ES, SE, GB, IS, LI, NO, CH, BG, RO, TR, AL, BA, MK, MD, RS, ME, Kosovo

Tätä järjestelmää ei saa käyttää muissa kuin mainituissa Euroopan maissa.

Turvallisuus-ohjeet

VAROITUS

Älä jätä paristoja alttiiksi kuumuudelle, kuten auringonpaisteelle tai avotulelle.

Älä koskaan sijoita televisiota epävakaaseen paikkaan. Televisio saattaa pudota ja aiheuttaa vakavan loukkaantumisen tai kuoleman. Usein erityisesti lasten loukkaantuminen voidaan välttää noudattamalla seuraavia yksinkertaisia varotoimia:

- Käytä television valmistajan suosittelemaa kaappia tai jalustaa.
- Käytä vain huonekaluja, jotka kantavat television painon turvallisesti.
- Varmista, että televisio ei ulotu sen alla olevan huonekalun reunojen ulkopuolelle.
- Älä sijoita televisiota korkean huonekalun päälle (esimerkiksi kaappi tai kirjahylly) kiinnittämättä huonekalua ja televisiota soveltuvaan tukeen.
- Älä aseta television ja sen alustan väliin liinoja tai muita materiaaleja.
- Opetä lapsille, että huonekalujen päälle kipeäminen televisioon tai sen säätimiin ulottumiseksi on vaarallista.

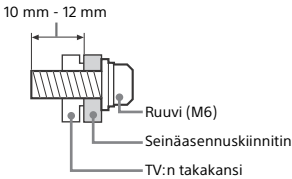
Jos säilytät vanhan televisiosi ja siirrät sen toiseen paikkaan, huomioi samat seikat sen sijoittelussa.

Asennus ja käyttö

Noudata television asennuksessa ja käytössä seuraavia ohjeita välttääksesi tulipalon tai sähköiskun vaaran tai laitteen vaurioitumisen ja/tai henkilövahingot.

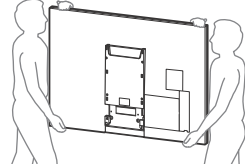
Asennus

- Televisio on sijoitettava helposti käsillä olevan verkkopistorasian lähelle.
 - Aseta TV tukevalle, tasaiselle alustalle, ettei se kaadu ja aiheuta henkilö- tai omaisuusvahinkoja.
 - Asenna televisio paikkaan, jossa sitä ei voida vetää, työntää tai kaataa.
 - Seinäasennuksen saa suorittaa ainoastaan asiantunteva henkilöstö.
 - Turvallisuussyistä on erittäin tärkeää käyttää Sonyn varusteita: Seinäasennuskiinnitin – SU-WL450 (Vain KD-65ZD9)
 - Muista käyttää seinäasennuskiinnittimen mukana toimitettuja ruuveja, kun kiinnität seinäasennuskiinnittimen TV-vastaanottimeen. Mukana toimitetut ruuvit on suunniteltu kuvan mukaisesti seinäasennuskiinnittimen asennuspinnasta mitattuna.
- Ruuvien halkaisija ja pituus vaihtelevat riippuen seinäasennustelineen mallista.
- Muiden kuin mukana toimitettujen ruuvien käyttö voi aiheuttaa vaurioita television sisäosiin, television putoamisen tai muuta vahinkoa.



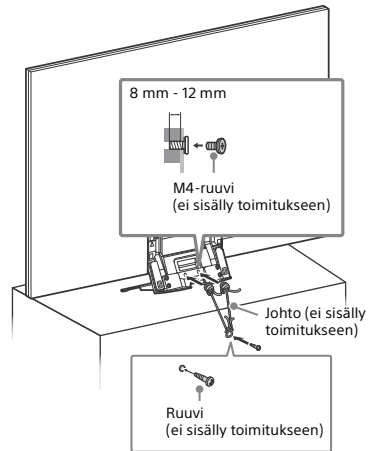
Laitteen kuljettaminen ja siirtäminen

- Irrota kaikki kaapelit ennen television siirtämistä.
- Suurikokoisen television siirtämisessä tarvitaan vähintään kaksi henkilöä.
- Kun TV:tä kuljetetaan käsin, pidä siitä kiinni alla olevan mukaisesti. Älä paina LCD-näytön pintaa tai näytön ympärillä olevaa kehystä.



- Älä altista laitetta iskuille tai liialliselle tärinälle kuljetuksen aikana.
- Kun toimitat television huoltoon, tai kun kuljetat sitä muuton yhteydessä, pakkaa laite alkuperäiseen pakkaukseen ja suojaa se alkuperäisillä pakkausmateriaaleilla.

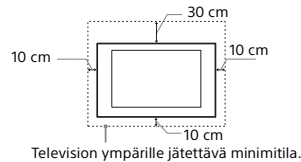
Kaatumisen estäminen



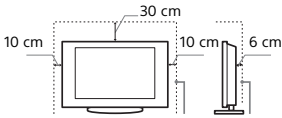
Ilmanvaihto

- Älä peitä television ilmanvaihtaukkoja äläkä työnä mitään kotelon sisään.
- Jätä television ympärille tilaa alla olevan kuvan mukaisesti.
- Sony'n seinäasennustelineen käyttäminen on erittäin suositeltavaa riittävän ilmankierron varmistamiseksi.

Asennus seinälle



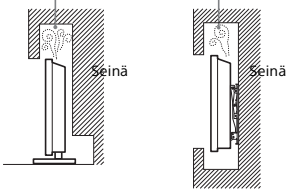
Asennus jalustalle



Television ympärille jätettävä minimimitä.

- Noudata seuraavia ohjeita varmistaaksesi asianmukaisen ilmanvaihdon ja estääksesi lian tai pölyn kerääntymisen:
 - Älä asenna televisiota takaosan varaan, ylösalaisin, takaperin tai sivuttain.
 - Älä sijoita televisiota hyllyn, maton tai vuoteen päälle tai kaapin sisälle.
 - Älä peitä televisiota millään tekstiilillä tai muilla vastaavilla, esimerkiksi verhoilla tai sanomalehdellä jne.
 - Älä asenna televisiota alla olevien kuvien mukaisesti.

Ilmankierto estynyt.



Verkkovirtajohto

Noudata verkkovirtajohdon ja pistorasian käsittelyssä seuraavia ohjeita välttääksesi tulipalon tai sähköiskun vaaran, laitteen vaurioitumisen ja/tai henkilövahingot:

- Käytä ainoastaan Sonyn verkkovirtajohtoa. Älä käytä muiden valmistajien johtoja.
- Työnä pistoke kunnolla pistorasiaan.
- Television saa kytkeä ainoastaan verkkovirtaan 220 V -240 V AC.
- Irrota verkkovirtajohto pistorasiasta kaapeleiden asennuksen ajaksi turvallisuuden vuoksi. Varo kompastumasta kaapeleihin.
- Irrota verkkovirtajohto pistorasiasta ennen kuin teet mitään toimenpiteitä televisiolle tai siirrät sitä.
- Pida verkkovirtajohto etäällä lämmönlähteistä.
- Irrota pistoke pistorasiasta ja puhdista se säännöllisin väliajoin.
- Jos pistoke on pölyinen ja siihen tiivistyy kosteutta, sen eriste voi vaurioitua ja seurauksena voi olla tulipalo.

Huomautus

- Älä käytä televisiota mukana toimitettua verkkovirtajohtoa minkään muun laitteen virtaliitännässä.
- Älä purista, taivuta tai kierrä verkkovirtajohtoa voimakkaasti. Johtimet voivat paljastua tai rikkoutua.
- Älä tee muutoksia verkkovirtajohtoon.
- Älä aseta raskaita esineitä verkkovirtajohdon päälle.
- Kun irrotat pistokkeen pistorasiasta, älä vedä johdosta.
- Älä kytke liian montaa laitetta samaan pistorasiaan.
- Älä käytä vääranlaista pistorasiaa.

Kielletyt käyttötavat

Älä asenna tai käytä televisiota seuraavassa kuvatuissa paikoissa, ympäristöissä tai tilanteissa. Seurauksena voi olla toimintahäiriöitä, jotka aiheuttavat tulipalon, sähköiskun, laitteen vaurioitumisen ja/tai henkilövahinkoja.

Kielletyt sijoituspaikat:

- Ulkotilat (suora auringonpaiste), merenranta, laiva tai muu alus, ajoneuvon sisätilat, terveydenhoitolaitokset, epävakaa sijoituspaikka, altistus vedelle, sateelle, kosteudelle tai savulle.

Kielletty ympäristö:

- Kuuma, kostea ja hyvin pölyinen ympäristö; paikat, joissa television sisään voi mennä hyönteisiä tai joissa televisio voi joutua alttiiksi tärinälle; tulenarkojen esineiden läheisyys (kynttilät jne.). Television päälle ei saa tiputtaa tai roiskuttaa mitään nesteitä eikä sen päälle saa laittaa nesteillä täytettyjä esineitä (esim. kukkamaljakkoa).

Kielletyt tilanteet:

- Käytä kostein käsin, suojaaneri irrotettuna tai sellaisten lisälaitteiden kanssa, jotka eivät ole valmistajan hyväksymiä. Irrota television virtapistoke ja antennin pistoke pistorasiasta ukkosmyrskyn aikana.
- Asentaa TV niin, että se ulottuu avoimeen tilaan. TV:hen törmäävä henkilö tai esine voi vahingoittaa sitä.



- Sijoittaa TV kosteaan tai pölyiseen ympäristöön tai huoneeseen, jossa on öljyistä savua tai höyryä (keittolevyjen tai ilmankostuttajien läheisyyteen). Tästä voi olla seurauksena tulipalo, sähköisku tai tuotteen vääntyminen.
- Asentaa TV paikkaan, jossa se altistuu äärimmäisille lämpötiloille, kuten suoraan auringonpaisteeseen, lämpöpatterin tai lämmityskanavan läheisyyteen. Televisio voi ylikuumentua tällaisissa olosuhteissa, mistä voi olla seurauksena sen kotelon vääntyminen ja/tai toimintahäiriö.



- Jos televisio sijoitetaan kylpylän tai kuuman lähteen pukuhuoneeseen, rikkihöyryt jne. voivat vahingoittaa televisiota.



- Älä aseta ruutua suoraan keino- tai auringonvaloon. Se huonontaa kuvan laatu.
- Vältä television siirtämistä kylmästä lämpimään. Äkilliset huonelämpötilan muutokset voivat aiheuttaa kosteuden tiivistymistä. Tämä voi heikentää television kuvanlaatua ja/tai väriä. Jos näin käy, anna kosteuden häihäytää kokonaan ennen virran kytkemistä televisioon.

Särkyminen vaara:

- Älä heitä mitään televisiota kohti. Näytön lasi voi särkyä iskun voimasta aiheuttaen vakavia vahinkoja.
- Jos television näytön pintaan tulee vaurioita, älä koske siihen ennen kuin olet irrottanut virtajohdon pistorasiasta. Sähköiskun vaara.

Kun televisiota ei käytetä

- Jos et käytä televisiota useaan päivään, kytke se irti verkkovirrasta ympäristö- ja turvallisuussyistä.
- Televisio ei kytkeydy kokonaan irti verkkovirrasta, kun se kytketään pois päältä virtakytkimellä. Kytke televisio kokonaan irti verkkovirrasta irrottamalla pistoke verkkopistorasiasta.
- Joissakin televisioissa voi olla toimintoja, jotka toimiakseen edellyttävät television olevan valmistilassa.

Lasten turvallisuus

- Älä anna lasten kiivetä television päälle.
- Pida kaikki varusteet poissa lasten ulottuvilta, jotta lapset eivät vahingossa näläise pikkuesineitä.

Toimintaohjeet ongelmatilanteissa...

Katkaise virta televisioista ja irrota pistoke pistorasiasta välittömästi, jos jokin alla mainituista ongelmatilanteista esiintyy. Toimita televisio tarkastettavaksi valtuutettuun huoltoon jälleenmyyjän tai Sonyn huoltokeskuksen kautta.

Ongelmatilanteet:

- Verkkovirtajohto on vaurioitunut.
- Verkkojohdon huono sopivuus/kytkeytyvyys pistorasiaan.
- Television on vaurioitunut putoamisen, iskun tai törmäyksen vuoksi.
- Television sisään on päässyt nestettä tai esineitä.

Tietoja LCD-TV:n lämpötilasta

Jos LCD-TV:tä käytetään pitkiä aikoja, paneelin ympäristö lämpenee. Kädellä kokeiltaessa se voi tuntua kuumalta.

Varotoimenpiteet

Television katseleminen

- Katsele televisiota kohtuullisessa valaistuksessa, sillä katselu heikossa valaistuksessa tai pitkän aikaa rasittaa silmiä.
- Säädä äänenvoimakkuus kuulokkeita käyttäessäsi riittävän pieneksi, sillä suuri äänenvoimakkuus voi vahingoittaa kuuloa.

(Vain 3D-yhteensopivat mallit)

- Jotkut henkilöt voivat saada fyysisiä oireita (silmien rasittumista, väsymystä tai pahoinvointia) 3D-videokuvan katselusta tai stereoskooppisten 3D-pelien pelamisesta. Sony suosittelee, että kaikki katselijat pitävät säännöllisin välein taukoja katseleessaan 3D-videokuvaa tai pelatessaan stereoskooppisia 3D-pelejä. Taukojen pituuden ja taajuuden tarve vaihtelee henkilöltäin. Toimi itsellesi parhaalla tavalla. Jos koet epämiellyttäviä oireita, lopeta 3D-videokuvan katselu tai stereoskooppisten 3D-pelien pelaaminen, kunnes oireet häviävät. Ota tarvittaessa yhteys lääkäriin. Tutustu myös (i) muiden tämän television kanssa käytettävien laitteiden tai tallennusvälineiden käyttöohjeisiin ja (ii) Internet-sivustoomme (www.sony.eu/support), jossa on uusimmat tiedot aiheesta. Pienten (erityisesti alle kuusivuotiaiden) lasten näköaisti on vielä kehitysvaiheessa. Kysy lisätietoja lääkäriltä (lastenlääkäriltä tai silmääläkäriltä), ennen kuin annat lasten katsoa 3D-videokuvaa tai pelata stereoskooppisia 3D-pelejä. Aikuisten tulee tarkkailla lapsiaan ja varmistaa, että he noudattavat edellä mainittuja suosituksia.
- Älä käytä tai säilytä 3D-laseja tai paristoa avotulen lähellä tai jätä niitä suoraan auringonpaisteeseen, auringon kuumentamaan autoon tai muuhun paikkaan, jossa lämpötila on korkea.

LCD-näyttö

- LCD-näyttö on valmistettu pitkälle kehitetyn teknologian mukaisesti, ja siinä on tehokkaita pikseleitä vähintään 99,99 %. LCD-näytössä voi näkyä jatkuvasti mustia pisteitä tai kirkkaita valopisteitä (punainen, sininen tai vihreä). Tämä on LCD-näytön normaali ominaisuus eikä siis merkki viasta.
- Älä paina tai raaputa näytön pintaa äläkä laita mitään esineitä television päälle. Kuva voi muuttua epätasaiseksi tai LCD-näyttö voi vahingoittua.
- Jos televisiota käytetään kylmässä paikassa, kuvaan saattaa tulla vääristymiä tai kuva voi tummua. Tämä ei ole merkki viasta. Nämä ilmiöt häviävät lämpötilan noustessa.
- Jos näyttöön jätetään liikkumaton kuva pitkäksi ajaksi, näyttöön saattaa jäädä jälkikuva. Sen pitäisi kuitenkin kadota jonkin ajan kuluttua.
- Näytön ja kotelon lämpeneminen television käytön aikana on normaalia.
- LCD-näyttö sisältää pienen määrän nestekiteitä. Noudata paikallisia jätahuoltomääräyksiä.

Television näytön pinnan ja kotelon käsitteleminen ja puhdistaminen

Irrota television kytketty virtajohto pistorasiasta aina ennen television puhdistusta.

Noudata seuraavia ohjeita välttääksesi vahingoittamasta koteloa tai näytön pintaa.

- Pyyhi pöly varovasti näytön pinnasta tai kotelosta pehmeällä liinalla. Jos pöly ei lähde pois helposti, pyyhi näyttö pehmeällä liinalla, joka on kostutettu laimealla pesuaineliuoksella.
- Älä koskaan riuksuta vettä tai pesuainetta suoraan televisioon. Sitä voi valua näytön alaosaan tai ulkopuolisiin osiin ja päästä television sisään, mikä voi aiheuttaa vaurioita televisiolle.
- Älä käytä hankaustynyjä, hapanta tai emäksistä pesuainetta, hankausjauhetta tai liuotinta, kuten alkoholia, bensiiniä tai tinneriä, tai hyönteismyrkkyä. Tällaisten aineiden käyttö voi pitkäaikainen kosketus kumin tai vinyylin kanssa voi vahingoittaa näytön ja koteloa pintaa.
- Älä koske TV:hen, jos käsissäsi jotakin kemiallista ainetta, kuten käsi- tai aurinkovoidetta.
- Ilmanvaihtoaukot on suositeltavaa imuroida säännöllisin väliajoin hyvän ilmanvaihdon varmistamiseksi.
- Kun säädät television katselukulmaa, siirrä laitetta varovasti, jotta se ei irtoa tai luiskahda pois pöytäjalustalta.

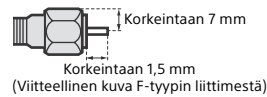


Lisälaitteet

- Pidä kaikki sähkömagneettista säteilyä aiheuttavat lisävarusteet tai laitteet poissa television läheltä. Sähkömagneettinen säteily voi aiheuttaa häiriöitä kuvaan ja/tai koinaa.
- Tämä laite on testeissä todettu olevan EMC-direktiivin rajoitusten mukainen käytettäessä enintään 3 metrin signaalkaapelina.

Suosittelu F-tyypin liitin

Sisäjohtimen ulkonema liitäntäosasta on oltava alle 1,5 mm.



Laitteen langattoman yhteyden toiminta

- Älä käytä laitetta lääketieteellisten laitteiden (kuten sydämentahdistimen) lähellä, jottei laitteiden toiminta häiriinny.
- Vaikka tämä laite lähettää ja vastaanottaa salattua signaalia, varmista kuitenkin, että signaalia ei kaapata. Sony ei vastaa signaalin kaappamisesta aiheutuviista seurauksista.

Huomioitavaa kaukosäätimen käytöstä

- Tarkista oikea napaisuus paristoja asentaessasi.
- Älä käytä yhdessä erityyppisiä paristoja tai uusia ja vanhoja paristoja.
- Hävitä käytetyt paristot ympäristöstävällisesti. Joissakin maissa paristojen hävittämiseen liittyy määräyksiä. Kysy neuvoa jätahuoltokeskuksesta.
- Käsittele kaukosäädintä varovasti. Varo pudottamasta kaukosäädintä tai astumasta sen päälle. Älä myöskään kaada mitään nestettä kaukosäätimen päälle.
- Älä laita kaukosäädintä lämmönlähteen lähelle tai suoraan auringonvaloon. Älä myöskään pidä sitä koetossa huoneessa.

Television käytöstäpoisto ja hävittäminen



Käytöstä poistettujen sähkö- ja elektroniikkalaitteiden hävittäminen (koskee Euroopan yhteisön ja muiden Euroopan maiden jätehuoltoa)

Tämä laitteeseen tai sen pakkaukseen merkitty symboli tarkoittaa, että laitetta ei saa käsitellä kotitalousjätteenä. Sen sijaan laite on toimitettava sähkö- ja elektroniikkalaitteiden

kierrätyksestä huolehtivaan keräys- ja kierrätyspisteeseen. Varmistamalla, että tämä laite hävitetään asianmukaisesti, voit auttaa estämään mahdollisia ympäristö- ja terveyshaittoja, joita muuten voi aiheutua laitteen epäasianmukaisesta käsittelystä. Materiaalien kierrätys säästää luonnonvaroja. Lisätietoja laitteen käsittelystä, talteenotosta ja kierrätyksestä on saatavilla paikallisilta ympäristöviranomaisilta, jätehuoltokeskuksesta tai liikkeestä, josta laite on ostettu.



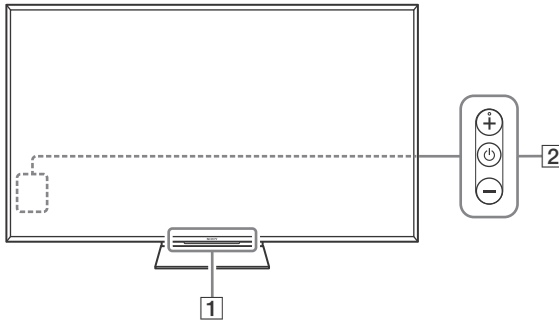
Käytöstä poistettujen paristojen hävitys (koskee Euroopan unionia sekä muita Euroopan maita, joissa on erillisiä keräysjärjestelmiä)

Tämä symboli paristossa tai sen pakkauksessa tarkoittaa, ettei paristoa lasketa normaalksi kotitalousjätteeksi. Tietyissä paristoissa tätä

symbolia voidaan käyttää yhdessä kemikaalia ilmaisevan symbolin kanssa. Paristoon on lisätty kemikaaleja elohopea (Hg) ja lyijyä (Pb) ilmaisevat symbolit, jos paristo sisältää enemmän kuin 0,0005 % elohopeaa tai enemmän kuin 0,004 % lyijyä. Varmistamalla, että paristo poistetaan käytöstä asiaan kuuluvalla tavalla, estetään mahdollisia negatiivisia vaikutuksia luonnolle ja ihmisten terveydelle, joita paristojen väärä hävittäminen saattaa aiheuttaa. Materiaalien kierrätys auttaa säästämään luonnonvaroja. Mikäli tuotteen turvallisuus, suorituskyky tai tietojen säilyminen vaatii, että paristo on kiinteästi kytketty laitteeseen, tulee pariston vaihto suorittaa valtuutetun huollon toimesta. Jotta varmistetaan, että käytöstä poistettu tuote käsitellään asianmukaisesti, tulee tuote viedä käytöstä poistettujen sähkö- ja elektroniikkalaitteiden vastaanottopisteeseen. Muiden paristojen osalta tarkista käyttöohjeesta miten paristo irroitetaan tuotteesta turvallisesti. Toimita käytöstä poistettu paristo paristojen vastaanottopisteeseen. Lisätietoja tuotteiden ja paristojen kierrätyksestä saa paikallisilta viranomaisilta, jätelyhtiöistä tai liikkeestä, josta tuote on ostettu.

Osat ja säätimet

Säätimet ja ilmaisimet



1 **Kaukosäädinanturi*1 / Valotunnistin*1 / Valaistuksen LED / 3D-tahdistuslähetin*1*2**

Valaistuksen LED syttyy tai vilkkuu TV:n tilan mukaan.

- Valkoinen
Kun televisio kytketään päälle/kuva pois-tila/ohjelmistopäivitys jne.
- Syaani
Kun mobiililaitte yhdistetään langattomasti.
- Vaaleanpunainen*2
Tallennustila.
- Keltainen
Ajastin on asetettu.

2 **⏻ (Virta) / + / -**

Kun TV on pois päältä,
Kytke virta painamalla ⏻.

Kun TV on päällä,

Katkaise virta painamalla pitkään ⏻.
Paina ⏻ toistuvasti toiminnon vaihtamiseksi, paina sen jälkeen + tai - seuraavaa varten:

- Äänenvoimakkuuden säätö
- Kanavan valinta
- TV:n signaalilähteen valinta

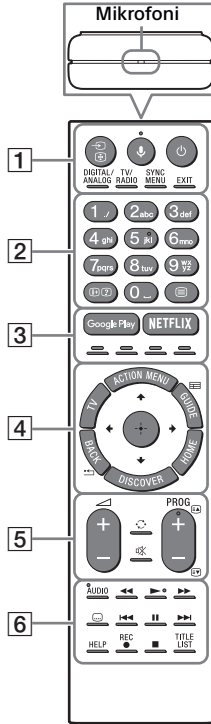
*1 Älä aseta mitään tunnistimen läheisyyteen.

*2 Vain rajoitetuilla alueilla/maissa/TV-malleissa.

Kaukosäätimen käyttäminen

Kaukosäätimen osien kuvaus

Kaukosäätimen muoto sekä kaukosäätimen painikkeen sijainti, käytettävyys ja toiminta saattavat vaihdella alueen/maan/TV-mallin mukaan.



- 1** (Tulosignaalin valinta/tekstin pito)
TV-tilassa: Näytä ja valitse tulolähde.
Teksti-TV-tilassa: Aseta nykyinen sivu pitoon.

(Mikrofoni)

Käytä äänitoimintoa. (esim. etsi erilaisia sisältöjä äänen avulla.)

(TV-valmiustila)

Avaa tai sammuta TV (valmiustila).

DIGITAL/ANALOG

Vaihda digitaalisen ja analogisen tilan välillä.

TV/RADIO

Vaihda TV- ja RADIO-lähetysten välillä.

SYNC MENU

Tuo BRAVIA Sync -valikko näkyviin.

EXIT

Palaa edelliseen näyttöön tai poistu valikosta. Poistuu interaktiivisesta sovelluspalvelusta, jos sellainen on käytettävissä.

2 Numeropainikkeet

(Tiedot/tekstin paljastus)

Näytä tiedot.

(Teksti)

Näytä tekstitiedot.

3 Google Play

Siirry "Google Play"-verkkopalveluun.

NETFLIX (vain rajoitetuilla alueilla/maissa/TV-malleissa)

Siirry "NETFLIX"-verkkopalveluun.

Väripainikkeet

Suorittaa painiketta sillä hetkellä vastaavan toiminnon.

4 ACTION MENU

Näytä asiayhteyteen liittyvien toimintojen luettelo.

TV

- Vaihda TV-kanavalle tai ohjelmalähteelle muista sovelluksista.
- Kytke TV päälle, jotta TV-kanava tai ohjelmalähde tulee näkyviin.

GUIDE/

Näytä digitaalinen ohjelmaopas.

BACK/

Palaa edelliseen näyttöön.

HOME

Tuo TV:n Home-valikko näkyviin.

DISCOVER

Näytä Sisältöpalkki sisällön etsimistä varten.

(Kohteen valinta/syöttö)

5 +/- (Äänenvoimakkuus)

Säädä äänenvoimakkuutta.

(Hyppää)


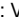
Siirry edestakaisin kahden kanavan tai signaalilähteen välillä. TV vaihtaa nykyisen kanavan tai signaalilähteen ja viimeksi valitun kanavan tai signaalilähteen välillä.

(Mykistys)

Mykistä ääni. Palauta ääni painamalla uudelleen.

PROG +/-//

TV-tilassa: Valitse kanava.

Teksti-TV-tilassa: Valitse seuraava () tai edellinen () sivu.

6 AUDIO

Vaihda parhaillaan katsottavan ohjelman kieli.

(Tekstityksen asetukset)

Tuo tekstityksen näkyviin tai poistaa sen näkyvistä (kun toiminto on käytettävissä).



Käytä TV:n ja liitetyn BRAVIA Sync -yhteensopivan laitteen mediasisältöä.

HELP

Näytä Ohje-valikko. Käyttöoppaaseen voidaan siirtyä täältä.

REC

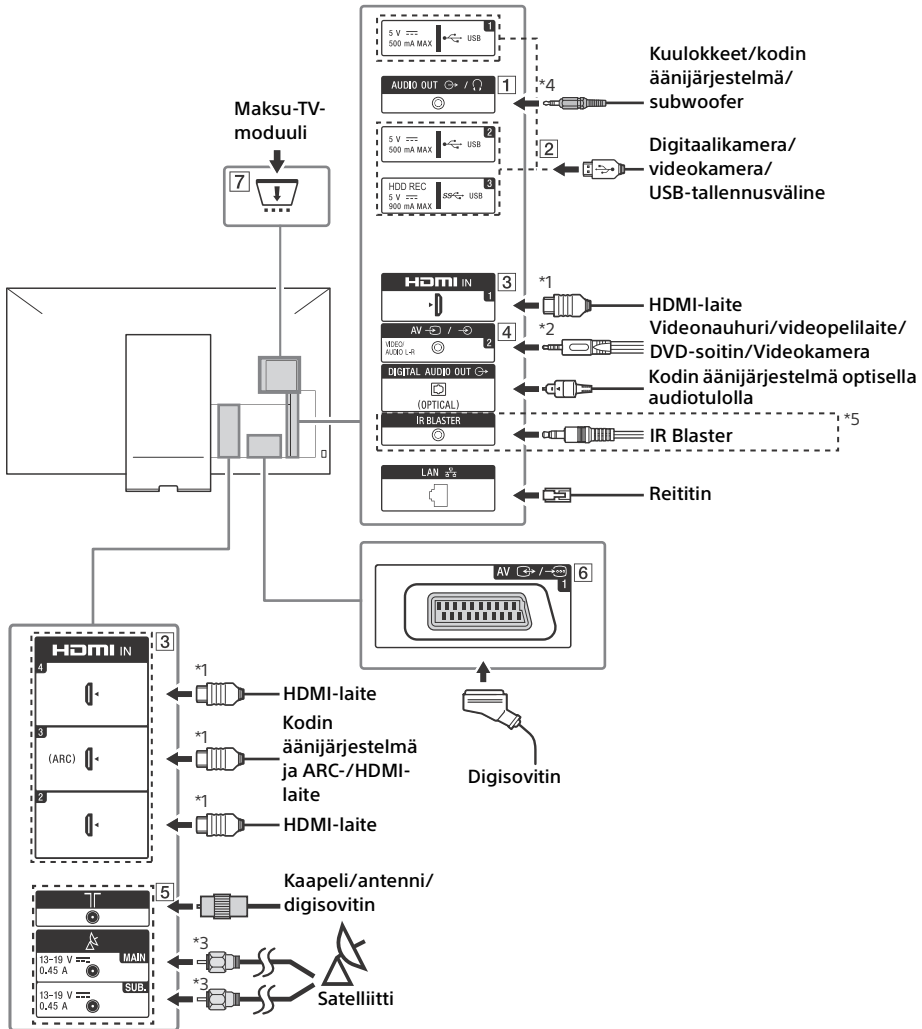
Tallentaa nykyisen ohjelman USB HDD -tallennustoiminnolla.

TITLE LIST

Näytä otsikkoluettelo.

Liitântäkaavio

Lisätietoja liitännöistä on annettu Käyttöoppaassa (sivu 2).



1 AUDIO OUT *4

- Jos haluat kuunnella TV:n ääntä liitetyn laitteen kautta, paina **HOME**. Valitse [Asetukset] → [Ääni] → [Kuuloke/äänilähtö] ja valitse sitten haluttu kohde.

2 **USB 1/2, SS USB 3 (HDD REC)*5**

- Isokokoisen USB-laitteen liittäminen saattaa häiritä muita liitettöjä laitteita sen viersä.
- Liitä isokokoinen USB-laite USB 1-liitäntään.

3 **HDMI IN 1/2/3/4**

- Jos liität ARC-tekniikkaa (äänen paluukanava) tukevan digitaalisen äänijärjestelmän, käytä HDMI IN 3 -liitäntää. Jos et käytä tätä liitäntää, on käytettävä lisäksi DIGITAL AUDIO OUT (OPTICAL) -liitäntää.

4 **AV 2**

- Käytä komposiittiliitännälle toimitettua analogista jatkokaapelia*5.

5 **(RF-tulo), (Satelliittitulo)**

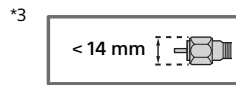
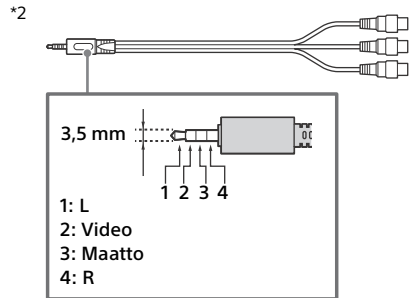
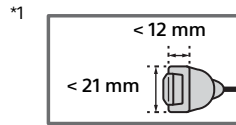
- Liitännät maanpäällisille/kaapeli- ja satelliittilähetysille. Liitäntävaiheet: MAIN → Antenna → SUB.
- SUB.-liitäntä: liitä vain, kun käytät kaksoisviritintilaa, paitsi kun käytössä on yhden kaapelin jakelu EN50494.

6 **AV 1**

- Liitä SCART-kaapelilla. Jos kytket analogisen dekooderin, TV-viritin lähettää salatun signaalin dekoodeeriin, joka purkaa signaalit ja lähettää sen edelleen.

7 **CAM (Maksu-TV-moduuli)**

- Tällä toiminnolla voit käyttää maksullisia TV-palveluita. Lisätietoja on annettu CAM-moduulin mukana toimitetussa käyttöohjeessa.
- Älä aseta älykorttia suoraan TV:n CAM-korttipaikkaan. Kortti täytyy ensin asettaa valtuutetulta jälleenmyyjältä saatuun CAM-moduuliin.
- CAM-toimintoa ei tueta kaikissa maissa/kaikilla alueilla. Tarkista asia valtuutetulta jälleenmyyjältä.
- Kun siirryt digikanavalle Internet-videon käytön jälkeen, näkyviin voi tulla CAM-sanoma.



*4 Tukee vain 3-napaista stereominiliitintä.

*5 Vain rajoitetuilla alueilla/maissa/TV-malleissa.

Television asennus seinälle

Tässä television käyttöohjeessa näytetään vain vaiheet, joilla valmistellaan television asennus seinälle.

Asiakkaille:

Tuotteen suojelemiseksi ja turvallisuuden vuoksi Sony suosittelee, että television asennus annetaan Sonyn jälleenmyyjän tai asiantuntevan huoltoliikkeen tehtäväksi. Älä yritä asentaa sitä itse.

Sony-jälleenmyyjille ja huoltoliikkeille:

Kiinnitä erityistä huomiota turvallisuuteen tämän tuotteen asennuksen, huollon ja tarkastuksen aikana.

Tämän tuotteen asentaminen edellyttää riittävää ammattitaitoa erityisesti sen määrittämiseksi, kestäkö seinä television painon. Tämän tuotteen seinään asentaminen on jätettävä Sonyn jälleenmyyjän tai huoltoliikkeen tehtäväksi ja asennuksen turvallisuuteen on kiinnitettävä riittävästi huomiota. Sony ei ole vastuussa mistään vahingosta tai vammoista, jotka johtuvat tuotteen väärästä käsittelystä tai asennuksesta.

Käytä seinäasennuskiinnintä SU-WL450 (ei sisälly toimitukseen) (KD-65ZD9) TV:n asentamiseksi seinälle.

Katso seinäasennuskiinnintä asennettaessa myös seinäasennuskiinnittimen mukana toimitettu käyttöohje ja asennusohje.

Huomautus

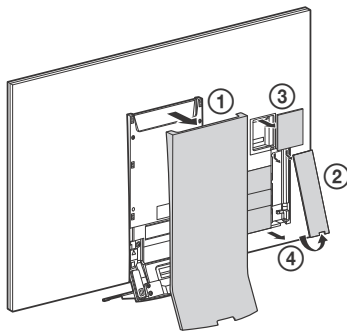
- Pane irrotetut ruuvit talteen turvalliseen paikkaan pois lasten ulottuvilta.



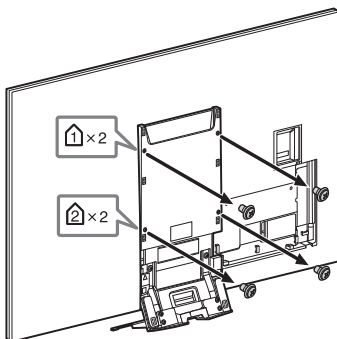
Voit katsoa seuraavalta verkkosivustolta ohjeita siitä, kuinka seinäasennuskiinnitin asennetaan televisiomalliisi:
www.sony.eu/tv/wall-mount-bracket-manual

Vain KD-65ZD9

1 Irrota sivu-, sisä-, ylä- ja keskikansi.



2 Irrota ruuvit TV:n takaosasta.



FI

Vain KD-75ZD9

Television voi asentaa seinäasennuskiinnittimeen (ei sisälly toimitukseen) suoraan pakkauksesta.

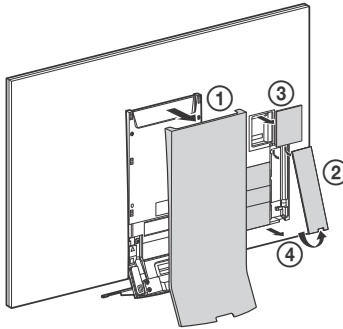
Kiinnitä televisio seinäasennuskiinnittimeen ennen kuin liität kaapelit.

Tuotteen suojaamiseksi ja turvallisuussyistä Sony suosittelee ehdottomasti, että television seinäasennus annetaan pätevien ammattilaisten tehtäväksi. Älä yritä asentaa sitä itse.

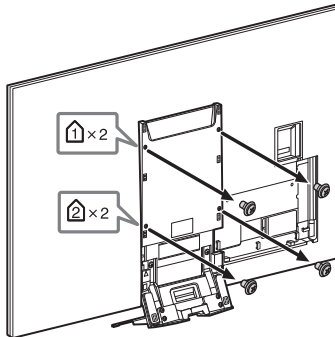
- Noudata oman mallisi mukana toimitetun seinäasennuskiinnittimen ohjeita. Tämän television asentaminen edellyttää riittävää ammattitaitoa erityisesti sen määrittämiseksi, kestääkö seinä television painon.
- Varmista, että käyttämättömät ruuvit ja pöytäjalusta ovat varmassa tallessa, kunnes olet valmis kiinnittämään pöytäjalustan. Pidä ruuvit poissa pienten lasten ulottuvilta.

Vain KD-75ZD9

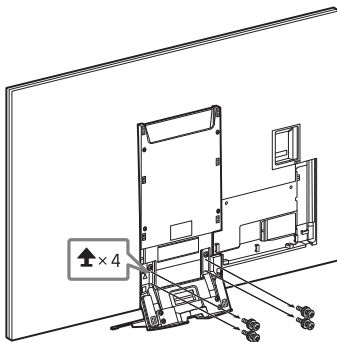
1 Irrota sivu-, sisä-, ylä- ja keskikansi.



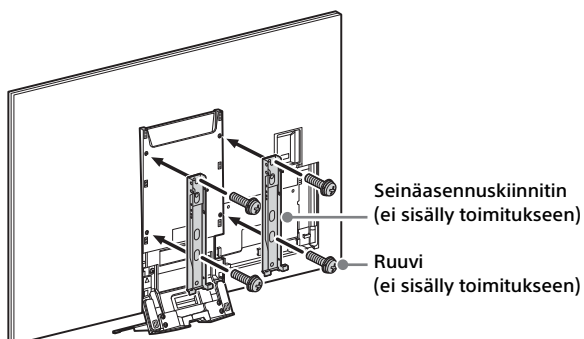
2 Irrota ruuvit TV:n takaosasta.



3 Irrota pöytäjalusta TV:stä.



4 Kiinnitä seinäasennuskiinnitin (ei sisälly toimitukseen) ruuveilla (eivät sisälly toimitukseen).

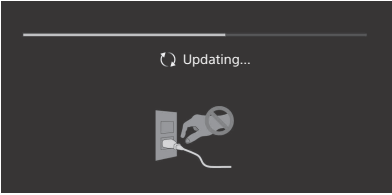


Huomautus

- Jos käytät sähköistä ruuvitalttaa, aseta vääntömomentiksi noin 1,5 N-m {15 kgf-cm}.

Vianetsintä

TV:n ohjelmiston pitämiseksi ajan tasalla uusimmat ohjelmistotiedot on ladattava digitaalisen lähetyjärjestelmän tai Internetin kautta ja ohjelmisto on päivitettävä. Käynnistä ohjelmistopäivitys valitsemalla [Päivitä nyt]. Valaistuksen LED vilkkuu valkoisena, kun ohjelmistoa päivitetään. Ohjelmiston päivittymisen aikana ruudussa näkyy seuraava [Updating...] (Päivitetään...) -näyttö.



Älä irrota virtajohtoa ohjelmistopäivityksen aikana. Jos virtajohto irrotetaan, ohjelmistopäivitys ei ehkä ehdi päättyä ja seurauksena voi olla ohjelmiston toimintahäiriö. Ohjelmistopäivitykset saattavat kestää jopa 30 minuuttia. Jos et halua päivittää ohjelmistoa automaattisesti, paina **HOME** ja valitse [Ohje] → [Järjestelmän ohjelmistopäivitys] → [Automaattinen ohjelmiston lataus] → [Pois].

Kun TV liitetään pistorasiaan, TV:n virta ei ehkä kytkeydy heti päälle, vaikka painat kaukosäätimen tai TV:n virtapainiketta, koska järjestelmän alustaminen kestää jonkin aikaa. Odota noin minuutti ja yritä sitten uudelleen. Kun virta kytketään päälle painamalla kaukosäätimen tai TV:n virtapainiketta, kestää jonkin aikaa ennen kuin LED-valaistus syttyy ja kaukosäädin alkaa toimia.

Kun valaistuksen LED vilkkuu punaisena, laske kuinka monta kertaa se välähtää (vilkkuu kolmen sekunnin jaksossa).

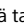
Jos valaistuksen LED vilkkuu punaisena, nollaa televisio irrottamalla virtajohto kahdeksi minuutiksi ja kytke sitten virta televisioon. Jos ongelma ei korjaannu, ota yhteys jälleenmyyjäsi tai Sonyn huoltokeskukseen ja ilmoita valaistuksen LED:in punaisten välkähdysten määrä (vilkkuu kolmen sekunnin jaksossa). Irrota virtajohto pistorasiasta ja ilmoita asiasta jälleenmyyjälle tai Sonyn huoltokeskukseen.

Jos valaistuksen LED ei vilku, tarkista alla olevissa taulukoissa mainitut kohdat.

Voit myös katsoa käyttöoppaasta vianmäärittysohjeita tai suorittaa itsediagnoosin valitsemalla [Ohje] → [Itsediagnostiikka]. Jos ongelma ei korjaannu, anna valtuutetun huoltohenkilöstön huoltaa TV-vastaanotin.

Ongelmat ja ratkaisut

Kuva ei näy (ruutu on pimeänä) eikä ääntä kuulu.

- Tarkista antenni-/kaapelikytkentä.
- Liitä TV virtajohtoon ja paina  TV:stä tai kaukosäätimestä.

Joitakin ohjelmia ei voi viritellä.

- Tarkista antenni-/kaapelikytkentä.
- Satelliittikaapelissa voi olla oikosulku tai kaapelissa voi olla yhteysongelmia. Tarkista kaapeli ja yhteys, ja sammuta sitten televisio virtakytimestä ja kytke se takaisin päälle.
- Antamasi taajuus voi olla alan ulkopuolella. Kysy tietoja satelliittilähetysohjelmista.

Kaapelitelevisiopalveluja (ohjelmia) ei löydy.

- Tarkista kaapeliliitäntä tai viritysasetukset.
- Kokeile suorittaa [Digitaalinen automaattiviritys] valitsemalla [Antenni] valinnan [Kaapeli] sijasta.

Kaukosäädin ei toimi.

- Vaihda paristot.

[Katselun esto (lähety)] -salasana on unohtunut.

- Syötä PIN-koodiksi 9999. Päivitä PIN-koodi valitsemalla [Asetukset] → [Katselun esto (lähety)] → [Vaihda PIN-koodi].

Televisio kehys lämpenee.

- Kun televisio on päällä pitkään, sen kehys lämpenee. Kädellä koskettaessa se voi tuntua kuumalta.

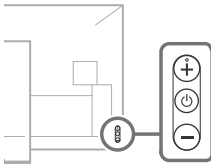
Pysähtynyt ääni tai kuva, tyhjä näyttö tai televisio ei reagoi television tai kaukosäätimen painikkeisiin.

- Suorita pelkkä televisio nollaus irrottamalla virtajohto kahdeksi minuutiksi ja liitä se tämän jälkeen takaisin pistorasiaan.

Painikkeita , + ja - ei löydy TV:stä.

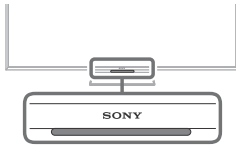
- Katso painikkeiden sijainti TV:ssä alla olevasta kuvasta.

TV:n takasivu



Valaistuksen LED syttyy.


- Jos et halua syyttää valaistuksen LED-valoa, se voidaan sammuttaa.
Paina **HOME** ja valitse sitten [Asetukset] → [Valaistuksen LED] → [Pois].



Ei muodosta yhteyttä langattomaan reitittimeen WPS (Wi-Fi Protected Setup):llä.

- Jos käytät WEP-suojausta, valitse [Helppo] → [Wi-Fi] → [Yhdistä hakuluettelosta]. Valitse sitten verkkonimi (SSID), johon haluat yhdistää.

Halutun verkon nimeä ei löydy verkkoasetuksista.

- Valitse [[Syötä käsin]] ja syötä verkon nimi painamalla .

Tekniset tiedot

Järjestelmä

Näyttöpaneeli

LCD-paneeli (nestekidenäyttö), LED-taustavallo

TV-järjestelmä

Maa-/aluevalinnasta/TV-mallista riippuen

Analoginen: B/G, D/K, L, I

Digitaalinen: DVB-T/DVB-C
DVB-T2*

Satelliitti*: DVB-S/DVB-S2

Värijärjestelmä

PAL, SECAM, NTSC3.58 (Vain video), NTSC4.43

(Vain video)

Kanavien näkyvyysalue

Maa-/aluevalinnasta/TV-mallista riippuen

Analoginen: UHF/VHF/kaapeli

Digitaalinen: UHF/VHF/kaapeli

Satelliitti*: IF-taajuus 950-2 150 MHz

Äänentoisto

10 W + 10 W

Langaton teknologia

Protokolla IEEE802.11ac/a/b/g/n

(IEEE802.11ac ei ehkä ole saatavissa maan/alueen mukaan.)

Bluetooth versio 4.1

- * Kaikissa TV:issä ei ole DVB-T2- tai DVB-S/S2-tekniikkaa tai satelliittiantenniliitintä.

Tulo-/lähtöliitännät

Antenni/kaapeli

75 ohmin ulkoinen liitäntä VHF/UHF-liittimelle

Satelliittiantenni

Naaraspuolinen F-tyyppin liitin, 75 ohm.

DiSeqC 1.0, LNB 13 V/18 V & 22 kHz ohjaus, Yhden kaapelin jakelu EN50494.

AV 1

21-nastainen SCART-liitin (CENELEC-standardi), sisältää audio-/videotulon, RGB-tulon ja television audio-/videolähdön.

AV 2

Video/Audio-tulo (miniliitin)

HDMI IN 1, 2, 3, 4 (tukevat 4K-tarkkuutta, HDCP 2.2 -yhteensopiva)

Video (2D):

4096 × 2160p (50, 60 Hz)*¹, *², 4096 × 2160p (24 Hz)*¹, 3840 × 2160p (50, 60 Hz)*², 3840 × 2160p (24, 25, 30 Hz), 1080p (30, 50, 60 Hz), 1080/24p, 1080i (50, 60 Hz), 720p (30, 50, 60 Hz), 720/24p, 576p, 576i, 480p, 480i, PC-muodot

*¹ 3840 × 2160p näytetään, kun vastaanotetaan 4096 × 2160p

*² Vain HDMI IN 2 / 3.

Video (3D) (Vain 3D-yhteensopivat mallit):

Runkopakkaus: 1080p (30Hz), 1080/24p, 1080i (50, 60Hz), 720p (30, 50, 60Hz), 720/24p

Side-by-Side -tila: 1080p (50, 60Hz), 1080/24p, 1080i (50, 60Hz), 720p (50, 60Hz)

Over-Under -tila: 1080p (30, 50, 60Hz), 1080/24p, 1080i (50, 60Hz), 720p (50, 60Hz)

Audio: 5.1.-kanavainen lineaarinen PCM: 32, 44,1, 48, 88,2, 96, 176,4 ja 192 kHz, 16, 20 ja 24 bittiä, Dolby Digital, Dolby Digital Plus ja DTS ARC (Audio Return Channel) (vain HDMI IN 3) (kaksikanavainen lineaarinen PCM, Dolby Digital, Dolby Digital Plus, DTS)

⊖ DIGITAL AUDIO OUT (OPTICAL)

Optinen digitaaliliitäntä (kaksikanavainen lineaarinen PCM, Dolby Digital, DTS)

AUDIO OUT ⊖ / ⊕ (stereominiliitin)

Kuulokkeet, äänilähtö, subwoofer

• ← 1, • ← 2, SS ← 3 (HDD REC)*¹

USB-laiteportti (SS ← 3 USB-kiintolevyliitettä REC-toiminnolle)

USB-portit 1 ja 2 tukevat nopeaa USB:tä (USB2.0).

USB-portti 3 tukee supernopeaa USB:tä (USB3.0).



Maksu-TV-moduulin (CAM) paikka

LAN

10BASE-T/100BASE-TX-liitäntä (Yhteysnopeus voi vaihdella verkon käyttöympäristön mukaan.

10BASE-T/100BASE-TX-tiedonsiirtonopeutta ja laatua ei taata tässä televisiossa.)

IR BLASTER *¹

IR Blaster -infrapunakaapelitulo (miniliitäntä)

Muita tietoja

Lisävarusteet

Seinäasennuskiinnitin: SU-WL450 (Vain KD-65ZD9)

Langaton bassokaiutin: SWF-BR100

Aktiiviset 3D-lasit: TDG-BT500A



Käyttölämpötila

0 °C - 40 °C

Käytön ilmankosteus

10 % - 80 % RH (ei-kondensoiva)

Teho, tuoteseloste ja muuta

Käyttöjännite

Nimellisarvo: käyttöjännite 220 V - 240 V AC, 50 Hz

Energiatehokkuusluokka

KD-75ZD9: B

KD-65ZD9: B

Näytön koko (halkaisija) (Noin)

KD-75ZD9: 189,3 cm / 75 tuumaa

KD-65ZD9: 163,9 cm / 65 tuumaa

Virrankulutus

[Vakio] -tilassa

KD-75ZD9: 259 W

KD-65ZD9: 210 W

[Kirkas] -tilassa

KD-75ZD9: 453 W

KD-65ZD9: 347 W

Keskimääräinen vuotuinen energiankulutus*²

KD-75ZD9: 359 kWh

KD-65ZD9: 291 kWh

Virrankulutus valmiustilassa*³⁺⁴

0,50 W (27 W ohjelmiston/elektronisen ohjelmaoppaan päivitystilassa)

Näytön erottelutarkkuus

3 840 pistettä (vaaka) × 2 160 viivaa (pysty)

Ulostuloarvot

USB 1/2: Maks. 5 V, ---, 500 mA

USB 3: Maks. 5 V, ---, 900 mA

Mitat (Noin) (l × k × s)

pöytäjalustan kanssa

KD-75ZD9: 168,4 × 104,7 × 27,8 cm

KD-65ZD9: 146,2 × 92,0 × 26,8 cm

ilman pöytäjalustaa

KD-75ZD9: 168,4 × 97,3 × 7,8 cm

KD-65ZD9: 146,2 × 84,7 × 7,8 cm

Paino (Noin)

pöytälalustan kanssa

KD-75ZD9: 45,1 kg

KD-65ZD9: 35,7 kg

ilman pöytälalustaa

KD-75ZD9: 41,3 kg

KD-65ZD9: 32 kg

*1 Vain rajoitetuilla alueilla/maissa/TV-malleissa.

*2 Vuosittainen virrankulutus, joka perustuu television 4 tunnin päivittäiseen käyttöön 365 päivänä vuodessa. Todellinen energiankulutus riippuu siitä, miten televisiota käytetään.

*3 Mainittu valmiustilan virrankulutus on voimassa sen jälkeen, kun televisio on suorittanut välttämättömät sisäiset toimenpiteet.

*4 Valmiustilan virrankulutus kasvaa, kun televisio on yhdistetty verkkoon.

Huomautus

- Älä poista valekorttia TV:n maksu-TV-moduulin (CAM) paikasta paitsi silloin, kun siihen asetetaan älykortti.
- Lisävarusteiden saatavuus riippuu maasta/alueesta/television mallista/varastotilanteesta.
- Rakennetta ja teknisiä tietoja saatetaan muuttaa siitä erikseen ilmoittamatta.

Digitaalisen television toimintaan liittyviä huomautuksia

- Digitaaliseen televisioon (DVB) liittyvät toiminnot toimivat ainoastaan maissa tai alueilla, joissa lähetetään digitaalisia maanpäällisiä signaaleja DVB-T/DVB-T2 (MPEG-2 ja H.264/MPEG-4 AVC) tai joissa on käytettävissä yhteensopiva DVB-C (MPEG-2 ja H.264/MPEG-4 AVC) -kaapelipalvelu. Tarkista jälleenmyyjältäsi, ovatko DVB-T/DVB-T2-signaalit käytettävissä asuinpaikkakunnallasi tai kysy kaapeli-TV:n palveluntarjoajalta, onko DVB-C-kaapelipalvelu yhteensopiva tämän television kanssa.
- Kaapeli-TV:n palveluntarjoaja voi veloittaa tarjoamistaan palveluista, ja sinun on mahdollisesti sitouduttava palveluntarjoajan liiketoiminnan ehtojen noudattamiseen.
- Tämä televisio noudattaa DVB-T/DVB-T2- ja DVB-C-signaalien määräyksiä, mutta yhteensopivuutta tulevien digitaalisten maanpäällisten DVB-T/DVB-T2-lähetysten ja digitaalisten DVB-C-kaapelilähetysten kanssa ei taata.
- Jotkin digitaalisen television toiminnot eivät välttämättä ole käytettävissä kaikissa maissa/kaikilla alueilla, ja DVB-C-kaapeli ei välttämättä toimi oikein kaikkien palveluntarjoajien kanssa.

Tuotemerkit

- Termit HDMI ja HDMI High-Definition Multimedia Interface sekä HDMI-logo ovat HDMI Licensing LCC:n tuotemerkkejä tai rekisteröityjä tuotemerkkejä Yhdysvalloissa ja muualla maailmassa.
- Valmistettu Dolby Laboratories myöntämällä lisenssillä. Dolby, Dolby Audio ja kaksois-D-symboli ovat Dolby Laboratoriesin rekisteröimiä tavaramerkkejä.
- "BRAVIA" ja BRAVIA ovat Sony Corporationin tuotemerkkejä.
- Gracenote, Gracenote eyeQ, Gracenote VideoID, Gracenote Video Explore, Gracenote-logo ja -logotyyppi ja "Powered by Gracenote" -logo ovat joko Gracenoten rekisteröityjä tavaramerkkejä tai tavaramerkkejä Yhdysvalloissa ja/tai muissa maissa.
- Opera® Devices SDK from Opera Software ASA. Copyright 1995-2015 Opera Software ASA. All rights reserved.
- Wi-Fi, Wi-Fi Direct, Miracast, Wi-Fi Protected Setup ja Wi-Fi CERTIFIED -logo ovat Wi-Fi Alliancin tavaramerkkejä tai rekisteröityjä tavaramerkkejä.
- DTS-patentit, ks. <http://patents.dts.com>. Valmistettu DTS, Inc.in lisenssillä. DTS, symboli sekä DTS ja symboli yhdessä ovat rekisteröityjä tavaramerkkejä ja DTS Digital Surround on DTS, Inc.:n tavaramerkki. © DTS, Inc. Kaikki oikeudet pidätetään.
- QuickSet ja QuickSet-logo ovat Universal Electronics Inc.:n tavaramerkkejä Portions © UEI 2000-2015
- Bluetooth®-sanamerkki ja -logot ovat Bluetooth SIG, Inc:n omistamia rekisteröityjä tavaramerkkejä, ja Sony Corporation käyttää niitä lisenssillä. Muut tuotemerkit ja tuotenimet ovat omistajiensa omaisuutta.
- DiSEqC™ on EUTELSATin tavaramerkki. Tässä televisiossa on DiSEqC 1.0 -tuki. Tätä televisiosta ei ole tarkoitettu moottorikäyttöisten antennien ohjaukseen.
- TUXERA on Tuxera Inc.:n rekisteröity tavaramerkki Yhdysvalloissa ja muissa maissa.

- USB-IF SuperSpeed USB Trident -logo on USB Implementers Forum, Inc:n rekisteröity tavaramerkki.  **SS** 

Innhold

VIKTIG MERKNAD	2
Informasjon om sikkerhet	3
Forholdsregler	5
Deler og kontroller	7
Kontroller og indikatorer	7
Bruke fjernkontrollen	8
Beskrivelse av fjernkontrollens deler	8
Koblings skjema	10
Montere TV-en på veggen	12
Kun KD-75ZD9	14
Feilsøking	16
Problemer og løsninger	16
Spesifikasjoner	17

Introduksjon

Takk for at du valgte dette produktet fra Sony. Les gjennom denne håndboken før du begynner å bruke TV-en, og ta vare på den for fremtidig referanse.

Merknader

- Før du bruker TV-en, vær vennlig å lese "Informasjon om sikkerhet" (side 3).
- Bilder og illustrasjoner som brukes i installasjonsveiledningen og i denne håndboken, er kun ment som referanse, og kan avvike fra produktets faktiske utseende.

Plassering av installasjonsveiledningen

Installasjonsveiledningen er plassert på en pute, inne i TV-esken.

Hjelpeveiledning

Hjelpenfunksjonen har en masse informasjon om TV-en din. For å bruke hjelpenfunksjonen, trykk HELP på fjernkontrollen. Du finner ut hvordan du og feilsøker fra listen eller fra søk med tale eller søkeord. Velg [Hjelpeveiledning] i hjelpemenyen for å se veiledningen. Hvis du kobler TV-en til Internett, oppdateres hjelpenfunksjonen og informasjonen.

Plassering av identifikasjonsmerket

Etiketter med modellnr., produksjonsdato (år/måned) og strømforsyningsrangering er plassert på baksiden av TV-en eller esken. Disse finner du ved å fjerne dekslet på midten.

ADVARSEL

FOR Å HINDRE
SPREDNING AV BRANN
SKAL STEARINLYS OG ALLE
ANDRE FORMER FOR ÅPEN
ILD HOLDES BORTE FRA
DETTE PRODUKTET TIL
ENHVER TID.



VIKTIG MERKNAD

Dette produktet er produsert av eller på vegne av Sony Corporation 1-7-1 Konan Minato-ku Tokyo, 108-0075 Japan. Henvendelser relatert til produkt samsvar basert på Europeisk Unions lovgivning skal adresseres til autorisert representant, Sony Belgium, bijkantoor van Sony Europe Limited, Da Vincilaan 7-D1, 1935 Zaventem, Belgia. For service eller garanti saker, vennligst referer til adresse som nevnt i separat service eller garanti dokument.

Merknad vedr. trådløse signaler



Sony Corporation erklærer herved at utstyret er i samsvar med de grunnleggende krav og øvrige relevante krav i direktiv 1999/5/EF.

For flere detaljer, vennligst se:
<http://www.compliance.sony.de/>

Merknad for kunder: Følgende informasjon gjelder kun for utstyr som er solgt i land som anvender EU-direktivene.

Trådløst TV-system kan brukes i følgende land:

AT, BE, HR, CY, CZ, DK, EE, FI, FR, DE, GR, HU, IE, IT, LV, LT, LU, MT, NL, PL, PT, SK, SI, ES, SE, GB, IS, LI, NO, CH, BG, RO, TR, AL, BA, MK, MD, RS, ME, Kosovo

Dette utstyret kan betjenes i andre land utenfor Europa.

Informasjon om sikkerhet

ADVARSEL

Batterier må ikke utsettes for overdreven varme, som solskinn, ild eller lignende.

Plasser aldri et TV-apparat på et ustabilt sted. Et TV-apparat kan falle og føre til alvorlig personskade og død. Mange skader, spesielt på barn, kan unngås ved å ta enkle forholdsregler, som f.eks.:

- Bruke kabinetter eller stativer anbefalt av produsenten av TV-apparatet.
- Kun bruk møbler som trygt kan støtte TV-apparatet.
- Sikre at TV-apparatet ikke henger over kanten på støttende møbel.
- Ikke plassere TV-apparatet på høye møbler (f.eks. skap eller bokhyller) uten å feste både møbelet og TV-apparatet til en passende støtte.
- Ikke plassere TV-apparatet på stoff eller andre materialer som kan finnes mellom TV-apparatet og støttende møbel.
- Lære barn om farene ved å klatre på møbler for å nå TV-apparatet eller dets kontrollere.

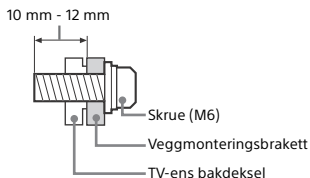
Hvis ditt eksisterende TV-apparat beholder og flyttes, gjelder de samme hensynene som over.

Installasjon/oppsett

Installer og bruk TV-apparatet i samsvar med instruksjonene nedenfor for å unngå risiko for brann, elektrisk støt eller annen skade og/eller personskader.

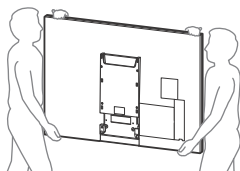
Installasjon

- TV-en bør installeres i nærheten av en lett tilgjengelig stikkontakt.
 - Plasser TV-en på en stabil, plan overflate for å unngå at den faller ned og forårsaker personskade eller skade på TV-en.
 - Installer TV-en på en plass hvor den ikke kan bli skjøvet, dyttet eller ramle ned.
 - Kun kvalifisert servicepersonell skal utføre eventuell installasjon av veggbraketter.
 - Av sikkerhetsgrunner anbefales det på det sterkeste at du bruker tilleggsutstyr fra Sony som omfatter: Veggmonteringsbrakett
– SU-WL450 (Kun KD-65ZD9)
 - Sørg for at du bruker skruene som følger med veggmonteringsbraketten når du fester veggmonteringsbraketten til TV-en. De medfølgende skruene er utformet som vist på illustrasjonen målt fra monteringsoverflaten til veggmonteringsbraketten. Skruenes diameter og lengde varierer ut fra veggmonteringsbrakettens modell.
- Hvis du bruker andre skruer enn de som følger med, kan TV-apparatet bli skadet innvendig eller det kan falle ned osv.



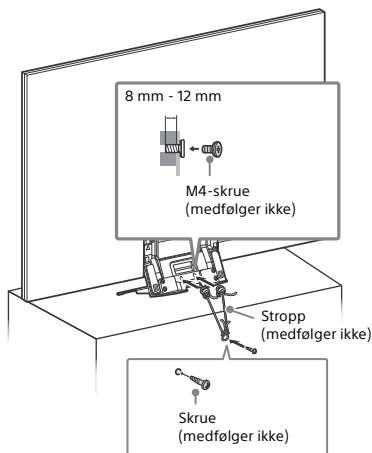
Bæring

- Før du bærer TV-apparatet, må du koble fra alle kablene.
- Et stort TV-apparat må bæres av to eller flere personer.
- Når du transporterer TV-en for hånd, må du holde den som vist under. Ikke utsett LCD-skjermen og rammen rundt for press-belastning.



- Ikke utsett TV-apparatet for støt eller sterke vibrasjoner når du flytter det.
- Når du leverer inn TV-apparatet på grunn av reparasjon eller hvis du flytter, bør du transportere det i originalemballasjen.

Tippforebygging

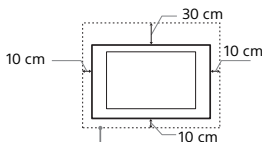


NO

Ventilasjon

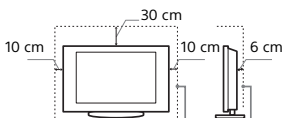
- Ventilasjonsåpningene må aldri tildekkes, og du må aldri stikke gjenstander inn i kabinettet.
- La det være plass rundt TV-apparatet, som vist under.
- Det anbefales på det sterkeste at du bruker en veggmonteringsbrakett som er godkjent av Sony for å oppnå tilstrekkelig luft sirkulasjon.

Montering på vegg



La det være minst så mye plass rundt TV-apparatet.

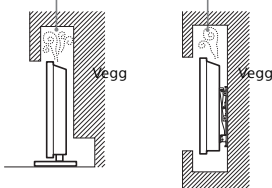
Installering med sokkel



La det være minst så mye plass rundt TV-apparatet.

- For å sikre tilstrekkelig ventilasjon og forhindre at det samler seg støv eller smuss:
 - Ikke legg TV-apparatet ned på ryggen, ikke installer det oppned, bak frem eller skrått.
 - Ikke plasser TV-apparatet på en hylle, et teppe, en seng eller i et skap.
 - Ikke dekk til TV-apparatet med et klede, som for eksempel gardiner, eller andre ting som aviser osv.
 - Ikke installer TV-apparatet som vist under.

Blokkert luft sirkulasjon.



Nettledning

Behandle nettledningen og støpselet som følger for å unngå risiko for brann, elektrisk støt eller annen skade og/eller personskader:

- Bruk kun nettledninger som er levert av Sony, ikke av andre leverandører.
- Stikk støpselet helt inn i stikkkontakten.
- Koble TV-apparatet kun til en strømforsyning på 220 V - 240 V vekselstrøm.
- Før du legger kablene, pass på at nettledningen er frakoblet for din egen sikkerhets skyld og pass på at du ikke snubler i kablene.
- Trekk ut støpselet med nettledningen før du utfører arbeide eller flytter TV-apparatet.
- Hold nettledningen unna varmekilder.
- Trekk ut støpselet og rengjør det regelmessig. Støv på støpselet opptar fuktighet, som kan medføre at isolasjonen forringes. Dermed kan det oppstå brann.

Merknader

- Ikke bruk den vedlagte nettledningen til annet utstyr.
- Ikke klem, bøy eller vri nettledningen for mye. Trådene i lederne kan bli blottlagt eller brytes av.
- Ikke foreta endringer på nettledningen.
- Ikke sett tunge gjenstander på nettledningen.
- Ikke trekk i selve nettledningen når du kobler fra strømmen.
- Ikke koble for mange apparater til den samme stikkkontakten.
- Ikke bruk stikkontakter som er i dårlig stand.

Forbudt bruk

Ikke installer/bruk TV-apparatet på steder, i omgivelser eller situasjoner som de som er oppført nedenfor, ellers kan TV-apparatet fungere feil og forårsake brann, elektrisk støt, skader og/eller personskader.

Steder:

- Utendørs (i direkte sollys), i nærheten av vann, på et skip eller andre fartøy, i et kjøretøy, i medisinske institusjoner, ustabile posisjoner, i regn, fuktighet eller røyk.

Omgivelser:

- Steder som er varme, fuktige eller særlig støvet; slik at insekter har adgang; hvor det kan bli utsatt for mekanisk vibrasjon, i nærheten av åpen ild (stearinlys osv). TV-apparatet må ikke utsettes for vanndråper eller vannsprut. Det må ikke plasseres gjenstander som er fylt med væske oppå TV-en (f.eks. blomstervase).

Situasjoner:

- Bruk av apparatet når du er våt på hendene, når kabinettet er tatt av eller når det er tilkoblet utstyr som ikke er anbefalt av produsenten. Trekk ut støpselet fra stikkkontakten og koble fra antenneledningen når det lyner.
- Installer TV-en slik at den stikker ut i et åpent rom. Dette kan føre til skade på TV-en eller personskade, ved at en person eller gjenstand kan komme borti TV-en.



- Plasser TV-en på et sted som er støvete eller fuktig, eller i et rom med matos eller damp (nær mattilberedningsbord eller luftfuktere). Dette kan føre til brann, elektrisk støt eller misdannelser på TV-en.
- Installer TV-en på steder som er utsatt for ekstreme temperaturer, som i direkte sollys, nær en radiator eller en varmeventil. På slike steder kan TV-en bli for varm og dette kan føre til deformering av kabinettet og/eller feifunksjon.



- Hvis TV-en plasseres i garderoben til et offentlig bad eller varm kilde, kan TV-en bli skadet av luftbåren svovel, osv.



- For den beste bilde kvaliteten, må du ikke utsette skjermen for direkte belysning eller direkte sollys.
- Du bør unngå å flytte TV-en fra et kaldt til et varmt område. Plutselige endringer i romtemperaturen kan forårsake kondens. Dette kan føre til at et bilde av lav kvalitet og/eller farge av lav kvalitet vises på TV-en. Hvis dette skjer, må du la all fuktighet fordampe helt før du slår på TV-en.

Knuselig glass:

- Ikke kast noe på TV-apparatet. Glasset i skjermen kan knuse og forårsake alvorlig personskade.
- Hvis overflaten på TV-apparatet sprekker, må du ikke berøre det før du har trukket ut støpselet. Ellers kan dette føre til elektrisk støt.

Når TV-en ikke er i bruk

- Hvis TV-apparatet ikke skal brukes noen dager, bør du koble apparatet fra strømmen og i miljøhensyn og sikkerhetsgrunner.
- Siden TV-en ikke er koblet fra strømmen når du bare slår den av, må du trekke støpselet ut av stikkkontakten for å koble TV-apparatet fullstendig fra.
- Enkelte TV-apparater har imidlertid funksjoner som krever at apparatet står i hvilemodus for at de skal fungere korrekt.

Barns sikkerhet

- Ikke la barn klatre på TV-apparatet.
- For å unngå at små barn kan svelge mindre deler, hold disse delene av tilleggsutstyret unna barns rekkevidde.

Hvis følgende problemer oppstår ...

Slå av TV-apparatet og trekk ut støpselet fra strømnettet øyeblikkelig dersom følgende problemer oppstår. Be forhandleren din eller ditt Sony servicecentrum om å få TV-en kontrollert av kvalifisert servicepersonell.

Dersom:

- Nettkabelen er skadet.
- Stikkontakter er i dårlig stand.
- TV-apparatet er skadet fordi det har falt ned, vært utsatt for støt eller det er kastet noe på det.
- Det er kommet væske eller gjenstander inn i åpningene på kabinettet.

Om temperaturen på LCD-Tven

Når LCD-Tven brukes over lengre tid, kan panelet rundt bli varmt. Du kan føle varmen når du berører dette området.

Advarsel

Utstyr som er koplet til beskyttelsesjord via nettplugg og/eller via annet jordtilkøpelt utstyr - og er tilkøpelt et kabel-TV nett, kan forårsake brannfare.

For å unngå dette skal det ved tilkopling av utstyret til kabel-TV nettet installeres en galvanisk isolator mellom utstyret og kabel-TV nettet.

Forholdsregler

Se på TV

- Se på TV-apparatet i moderat belysning, da det sliter på øynene å se på TV-apparatet i dårlig lys over lengre tid.
- Når du bruker hodetelefoner, justerer du lydvolument slik at det ikke blir for kraftig, så unngår du hørselsskader.

(Kun 3D-kompatible modeller)

- Noen kan oppleve ubehag (slik som slitne øyne, tretthet eller kvalme) mens de ser på film i 3D eller spiller stereoskopiske 3D-spill. Sony anbefaler at alle seere tar regelmessige pauser mens de ser på film i 3D eller spiller stereoskopiske 3D-spill. Hvor lenge og hvor ofte man bør ta en pause varierer fra person til person. Du må bestemme hva som fungerer best. Hvis du opplever noen form for ubehag, bør du slutte å se på film i 3D eller spille stereoskopiske 3D-spill til ubehaget forsvinner. Ta kontakt med en lege hvis du mener det er nødvendig. Du bør også lese gjennom (i) bruksanvisningen til enhver annen enhet eller media som brukes med dette fjernsynet og (ii) vårt nettsted (www.sony.eu/support) for å få den nyeste informasjonen. Synet til små barn (særlig barn under seks år) er fortsatt under utvikling. Kontakt en lege (for eksempel en barnelege eller øyelege) før du tillater små barn å se film i 3D eller spille stereoskopiske 3D-spill. Voksne bør ha oppsyn med barn og sørge for at de følger anbefalingene ovenfor.
- 3D-brillene eller batteriet må ikke brukes eller etterlates i nærheten av flammer eller på steder med høy temperatur, f.eks. i direkte sollys eller i biler som står i direkte sollys.

LCD-skjerm

- Selv om LCD-skjermen er produsert med høypresisjonsteknologi og 99,99 % eller mer av pikslene er effektive, kan det oppstå svarte punkter eller lyspunkter (røde, blå eller grønne) konstant på LCD-skjermen. Dette er en egenskap LCD-skjerm har, og ingen feil.
- Ikke trykk på eller rip i frontfilteret, og ikke plasser noe oppå dette TV-apparatet. Bildet kan bli ujevnt eller LCD-skjermen kan bli ødelagt.
- Hvis dette TV-apparatet brukes på kalde steder, kan bildet bli uregelmessig eller mørkt. Dette er ingen feil. Det forsvinner når temperaturen øker.
- Spøkelsesbilder kan oppstå når stillbilder vises kontinuerlig. Disse forsvinner etter en stund.

- Skjermen og kabinettet kan bli varmt når du bruker apparatet. Dette er ikke en feil på produktet.
- LCD-skjermen inneholder en liten mengde flytende krystaller. Følg lokale lover og forskrifter for avfallsbehandling.

Håndtering og rengjøring av skjermflaten/ kabinettet på TV-apparatet

Husk å trekke ut støpselet med nettleddningen til TV-en før du rengjør apparatet.

For å unngå forringelse av skjermen og materialene apparatet er laget av, ta hensyn til følgende forholdsregler.

- Når du skal fjerne støv fra overflaten/kabinettet, tørk du forsiktig over med en myk klut. Hvis du ikke får av støvet på denne måten, tørk du med en myk klut fuktet i et mildt vaskemiddel.
- Aldri spray vann eller rengjøringsmidler direkte på TV-apparatet. Det kan dryppe ned til bunnen av skjermen eller ytre deler og trenge inn i TV-apparatet, som kan føre til skade på TV-apparatet.
- Bruk aldri skuresvamp, alkaliske/syreholdige rengjøringsmidler, skurepulver eller sterke løsemidler, som alkohol, benzen, forfynningsmidler eller insektmidler. Bruk av denne typen midler, eller langvarig kontakt med gummi eller vinyl, kan resultere i skade på skjermen og kabinettet.
- Ikke berør TV-en hvis hånden er dekket med noen kjemiske midler som f.eks. håndkrem eller solkrem.
- Det anbefales å støvsuge ventilasjonsåpningene med jevne mellomrom for å sikre skikkelig ventilasjon.
- Når TV-apparatets vinkel skal justeres, må du flytte forsiktig på det for å unngå at TV-en forskyver seg eller faller av sokkelen.

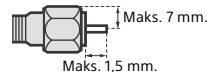


Alternativt tilleggsutstyr

- Hold alternative komponenter eller annet utstyr som avgir elektromagnetisk stråling, borte fra TV-apparatet. Ellers kan bildet forverres og/eller det oppstår en støyende lyd.
- Dette utstyret er testet og funnet i samsvar med grensene som angitt i EMC-direktivet med en tilkoblingskabel kortere enn 3 meter.

Anbefaling for kontakt av F-type

Den indre ledningen må ikke stikke ut mer enn 1,5 mm.



(Referansetegning for plugg av F-type)

Trådløs funksjon på apparatet

- Ikke bruk denne enheten i nærheten av medisinsk utstyr (pacemaker, osv.), da dette kan føre til funksjonsfeil på medisinsk utstyr.
- Selv om denne enheten overfører/mottar kodete signaler, vær forsiktig for å unngå uautorisert avskjæring. Vi kan ikke være ansvarlige for noen problemer som oppstår på grunn av dette.

Advarsel om håndtering av fjernkontrollen

- Sett batteriene i riktig vei.
- Du må ikke bruke forskjellige batterityper eller blande gamle og nye batterier.
- Kast brukte batterier på en miljøvennlig måte. Noen steder kan kassering av batterier være lovregulert. Kontakt de lokale myndighetene hvis du vil vite mer om dette.
- Vær forsiktig når du bruker fjernkontrollen. Du må ikke slippe, trække på eller seile noen form for væske på fjernkontrollen.
- Du må ikke legge fjernkontrollen nær en varmekilde, et sted der den kan bli utsatt for direkte sollys eller i et fuktig rom.

Avhending av TV-apparatet



Kassering av gamle elektriske og elektroniske apparater (gjelder i EU og andre europeiske land med separat innsamlingsssystem)

Dette symbolet på produktet eller emballasjen indikerer at produktet ikke må behandles som husholdningsavfall. I stedet skal det leveres til spesiell gjenvinningsstasjon for gjenvinning av elektrisk og elektronisk utstyr. Ved å sørge for

at dette produktet avhentes på korrekt måte, vil du være med på å forhindre mulige negative følger for miljø og helse, som ellers kan forårsakes av feilaktig avfallshåndtering av dette produktet. Gjenvinning av disse materialene vil være med på å ta vare på våre naturressurser. For mer informasjon om gjenvinning av dette produktet, kan du kontakte lokale myndigheter, renovasjonsverket der du bor eller butikken der du kjøpte produktet.



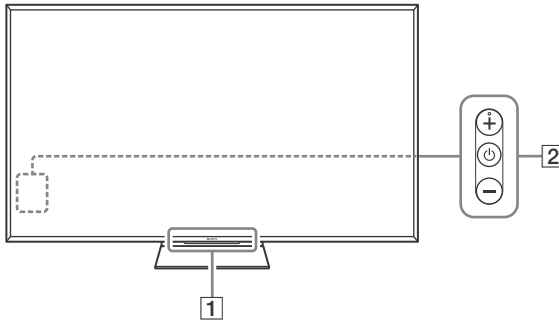
Avfallsinstruksjon vedrørende oppbrukte batterier (gjelder i EU og andre europeiske land med separate resirkuleringsrutiner)

Dette symbolet på batteriet eller på forpakningen betyr at batteriet ikke skal behandles som vanlig husholdningsavfall. På

visse batterier kan dette symbolet brukes i kombinasjon med et kjemisk symbol. Symbolet for kvikksølv (Hg) eller bly (Pb) er lagt til dersom batteriet inneholder mer enn 0,0005 % kvikksølv eller 0,004 % bly. Ved å sørge for at disse batteriene blir kastet riktig vil du bidra til å beskytte miljøet og menneskers helse fra potensielt negative konsekvenser som ellers kunne ha blitt forårsaket av ukorrekt avfallshåndtering. Resirkulering av materialene vil bidra til å bevare naturlige ressurser. Hva gjelder produkter som av sikkerhets-, ytelses- eller dataintegritetsgrunner krever permanent tilkobling til et inkorporert batteri, bør dette batteriet bare skiftes av autorisert servicepersonell. For å forsikre at batteriet blir behandlet korrekt skal det leveres til en resirkuleringsstasjon for elektriske produkter når det er oppbrukt. Hva gjelder alle andre batterier, vennligst se informasjonen om hvordan man fjerner batteriet på riktig måte. Lever batteriet på en gjenvinningsstasjon for brukte batterier. For mer detaljert informasjon vedrørende korrekt avfallsmetode av dette produktet og av andre batterier, vennligst kontakt ditt kommunekontor, din avfallstjeneste eller forhandleren du kjøpte produktet hos.

Deler og kontroller

Kontroller og indikatorer



1 Fjernkontroll-sensor*1 / Lyssensor*1 / LED-lys / 3D Signal Sender*1*2

LED-lyset tennes eller blinker i henhold til statusen på TV-en.

- Hvit
Når du slår på TV-en/bilde av-modus/
programvareoppdatering, osv.
- Cyan
Ved trådløs tilkobling med en mobil enhet.
- Rosa*2
Opptaksmodus.
- Ravgul
Timer er innstilt.

2 ⏻ (Strøm) / + / -

Når TV-en er slått av,

Trykk på ⏻ for å slå på.

Når TV-en er slått på,

Trykk lenge på ⏻ for å slå av.

Trykk gjentatte ganger på ⏻ for å endre funksjonen, og trykk deretter knappene + eller - for å:

- Juster volumet
- Velg kanalen
- Velg inngangskilden til TV-en

*1 Ikke plasser noe nær sensoren.

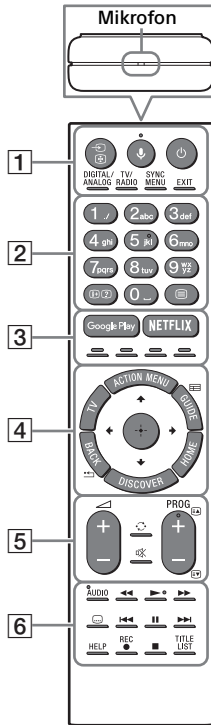
*2 Kun i begrenset region/land/TV-modell.

NO

Bruke fjernkontrollen

Beskrivelse av fjernkontrollens deler

Utformingen av fjernkontrollen, plasseringen, tilgjengeligheten og funksjonen til knappen på fjernkontrollen kan variere avhengig av land/region og TV-modell.



1 (Valg av innhold / hold tekst)

I TV-modus: Vis og velg inngangskilden.
I tekstmodus: Hold den aktuelle siden.

(Mikrofon)

Bruk talefunksjon. (f.eks. søk etter diverse innhold med tale.)

(TV standby)

Slå på eller slå av TV-en (standbymodus).

DIGITAL/ANALOG

Bytt mellom digital og analog modus.

TV/RADIO

Bytt mellom TV- eller RADIO-sendinger.

SYNC MENU

Vis BRAVIA Sync-menyen.

EXIT

Gå tilbake til forrige skjermbilde eller gå ut av menyen. Når en interaktiv applikasjonstjeneste er tilgjengelig, trykk for å gå ut av tjenesten.

2 Nummerknapper

(Info / vis tekst)

Vis informasjon.

(Tekst)

Vis tekstinformasjon.

3 Google Play

Tilgang til den nettbaserte tjenesten "Google Play".

NETFLIX (Kun i begrenset region/land/TV-modell)

Tilgang til den nettbaserte tjenesten "NETFLIX".

Fargeknapper

Utfør tilhørende funksjon på dette tidspunktet.

4 ACTION MENU

Vis en liste over kontekstavhengige funksjoner.

TV

- Bytt til en TV-kanal eller inngang fra andre applikasjoner.
- Slå på TV-en for å vise TV-kanal eller inndata.

GUIDE/☰

Vis den digitale programguiden.

BACK/ ←

Gå tilbake til forrige skjerm.

HOME

Vis TV-ens home-meny.

DISCOVER

Åpne innholdslinjen for å søke etter innhold.

⬆/⬇/⬅/➡/⊕ (Velg element / enter)

5 🔊 +/- (Volum)

Juster lydstyrken.

↻ (Hopp)

Hopp frem og tilbake mellom to kanaler eller innganger. TV-en veksler mellom aktuell kanal og siste kanal eller inngang som ble valgt.

🔇 (Demping)

Demp lyden. Trykk igjen for å gjenopprette lyden.

PROG +/-/⏪/⏩

I TV-modus: Velg kanalen.

I tekstmodus: Velg neste (⏪) eller forrige (⏩) side.

6 AUDIO

Endre språket på programmet som du ser på nå.

⋮ (Teksting-innstilling)

Slår teksting på eller av (når denne funksjonen er tilgjengelig).



Kontroller medieinnhold på TV og tilkoblet BRAVIA Sync-kompatibel enhet.

HELP

Vis Hjelp-menyen. Hjelp-veiledning kan nås herfra.

● REC

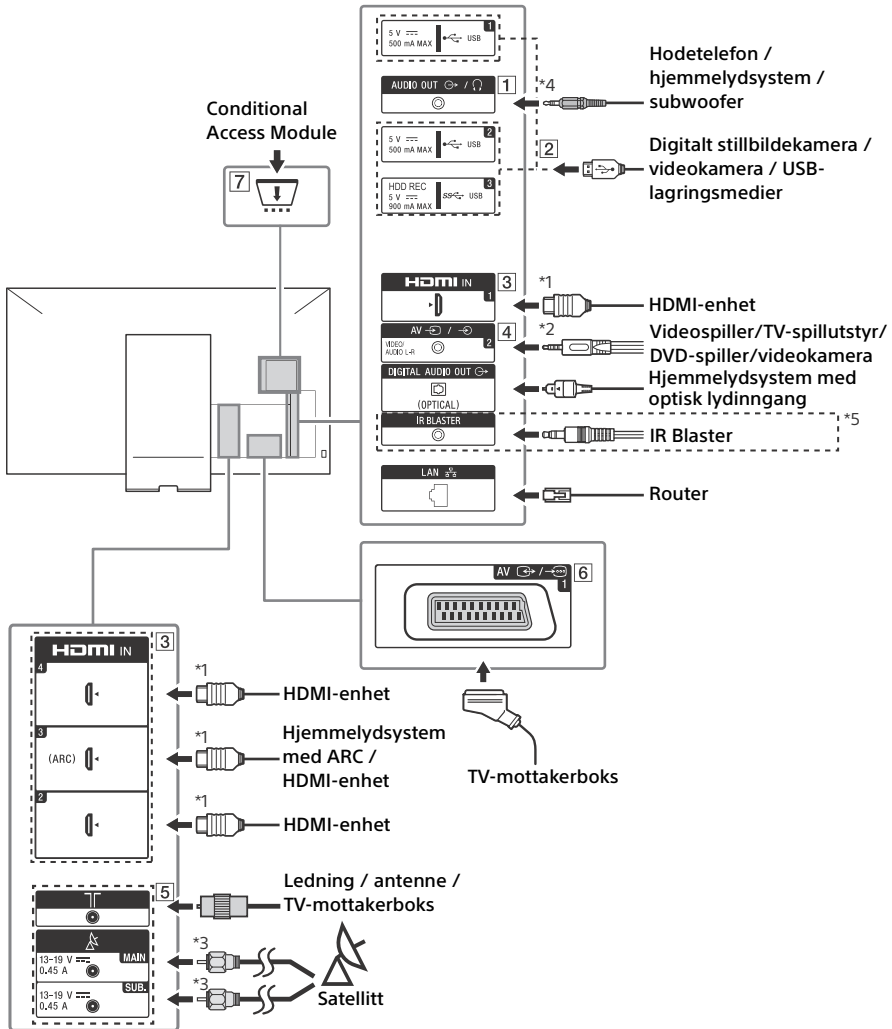
Ta opp programmet som vises nå med USB HDD-opptaksfunksjonen.

TITLE LIST

Vis tittellisten.

Koblings skjema

For mer informasjon om tilkoblinger, se Hjelpeveiledning (side 2).



1 AUDIO OUT *4

- For å høre lyd fra TV-en gjennom det tilkoblede utstyret, trykk på **HOME**. Velg [Innstillinger] → [Lyd] → [Hodetelefon / lyd ut] og velg deretter ønsket element.

2 **USB 1/2, SS USB 3 (HDD REC)*5**

- Tilkobling av en stor USB-enhet kan forstyrre andre tilkoblede enheter ved siden av den.
- Når du kobler til en stor USB-enhet, koble den til USB 1-kontakten.

3 HDMI IN 1/2/3/4

- Hvis du kobler til et digitalt lydanlegg som er kompatibelt med ARC-teknologi (Audio Return Channel), bruk HDMI IN 3. Hvis ikke, må du gjøre en ekstra tilkobling med DIGITAL AUDIO OUT (OPTICAL).

4 **AV 2**

- For en kompositt tilkobling, bruk den inkluderte analog skjætleiding*5.

5 **(RF-inngang)**, **(Satellittinngang)**

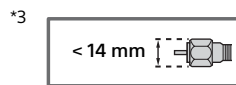
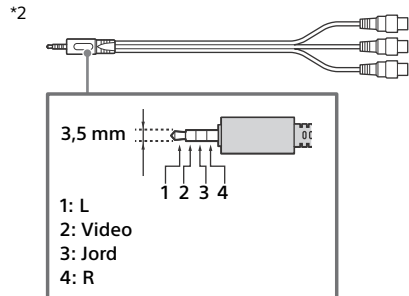
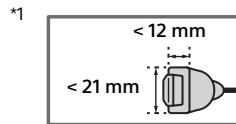
- Tilkoblinger for bakke/kabel og satellitt. Tilkoblingstrinn: MAIN → Antenne → SUB.
- For SUB. plugg, koble bare når du bruker dobbel tuner-modus, unntatt for én kabel EN50494.

6 **AV 1**

- Koble til med en SCART-kabel. Når du kobler til en analog dekoder, sender TV-tuneren krypterte signaler til dekoderen, og dekoderen dekrypterer signalene før de mates ut.

7 **CAM (Conditional Access Module)**

- Gir tilgang til betalte TV-tjenester. For mer informasjon se instruksjonsveiledningen som fulgte med CAM.
- Ikke sett smartkortet direkte inn i TV CAM-sporet. Det må settes i CAM-modulen som leveres av en autorisert forhandler.
- CAM støttes ikke i enkelte land/områder. Undersøk med en autorisert forhandler.
- En CAM-melding kan vises når du bytter til et digitalt program etter bruk av Internett-video.



*4 Støtter bare 3-polet stereominikontakt.

*5 Kun i begrenset region/land/TV-modell.

Montere TV-en på veggen

Denne TV-ens bruksanvisning viser kun trinnene for å forberede montering av TV-en før den monteres på veggen.

Til kunder:

Av hensyn til produktets beskyttelse og sikkerheten, anbefaler Sony sterkt at TV-en installeres av Sony-forhandlere eller autoriserte montører. Ikke forsøk å installere den selv.

Til Sony-forhandlere og -montører:

Legg spesielt merke til sikkerheten under installasjonen, periodisk vedlikehold og ved undersøkelse av dette produktet.

Tilstrekkelig ekspertise er nødvendig for å installere dette produktet, spesielt for å fastslå at veggen kan bære TV-ens vekt. Overlat monteringen av dette produktet til Sony-forhandlere eller autoriserte montører, og vær spesielt oppmerksom på sikkerheten under installasjon. Sony er ikke ansvarlig for eventuell skade eller personskade forårsaket av feil behandling eller installasjon.

Bruk veggmonteringsbrakett SU-WL450 (medfølger ikke) (KD-65ZD9) til å installere TV-en på veggen. Ved montering av veggmonteringsbraketten kan du også se bruksanvisningen og installasjonsveiledningen som fulgte med veggmonteringsbraketten.

Merknader

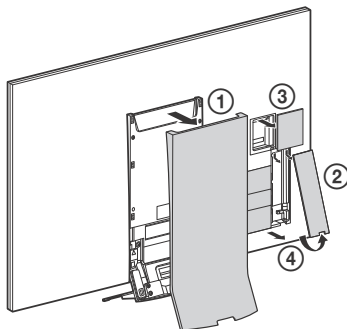
- Sørg for at skruene du har fjernet blir oppbevart på en trygg plass, utenfor barns rekkevidde.



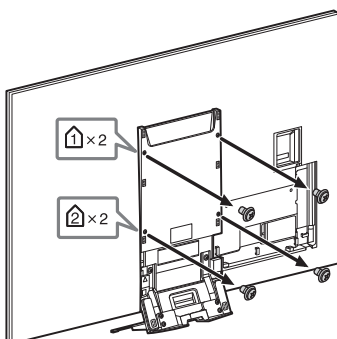
Instruksjoner for installeringen av veggmonteringsbraketten for TV-modellen din finnes på denne nettsiden: www.sony.eu/tv/wall-mount-bracket-manual

Kun KD-65ZD9

1 Fjern dekslet på siden, innsiden, topp og senter.



2 Fjern skruene fra baksiden av TVen.



NO

Kun KD-75ZD9

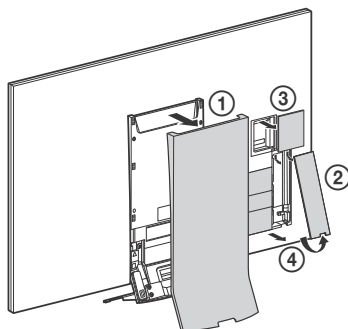
TV-en kan monteres på en veggmonteringsbrakett (ikke inkludert) rett ut av esken. Gjør TV-en klar for veggmonteringsbraketten før du kobler til kabler.

Av hensyn til sikkerheten og produktets beskyttelse, anbefaler Sony sterkt at installasjon av TV-en på veggen utføres av kvalifiserte profesjonelle montører. Ikke forsøk å installere den selv.

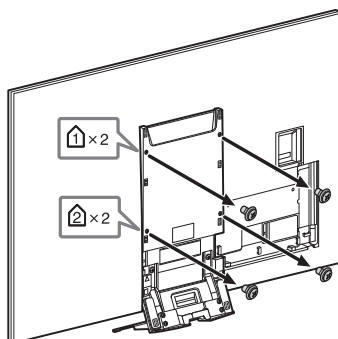
- Følg instruksjonene som fulgte med veggmonteringsbraketten for modellen din. Tilstrekkelig ekspertise er nødvendig for å installere denne TV-en, spesielt for å fastslå at veggen kan klare TV-ens vekt.
- Oppbevar skruer som ikke brukes samt bordstativet på et trygt sted inntil du er klar til å feste bordstativet. Oppbevar skruene unna små barn.

Kun KD-75ZD9

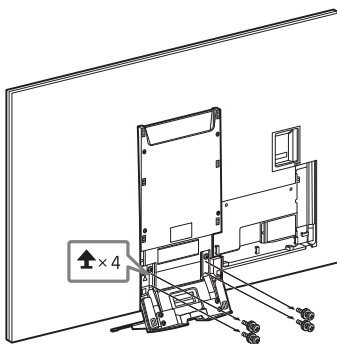
- 1 Fjern dekslet på siden, innsiden, topp og senter.



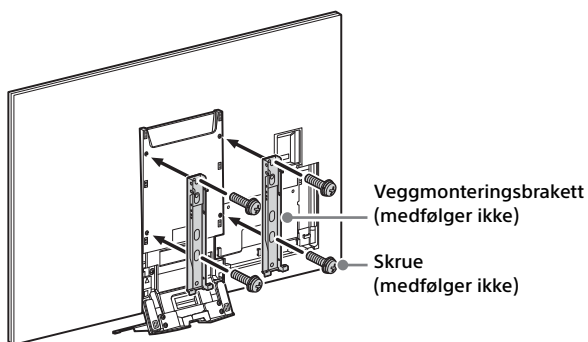
- 2 Fjern skruene fra baksiden av TVen.



3 Demonter bordstativet fra TV-en.



4 Fest veggmonteringsbraketten (medfølger ikke) ved hjelp av skruene (medfølger ikke).



Merknader

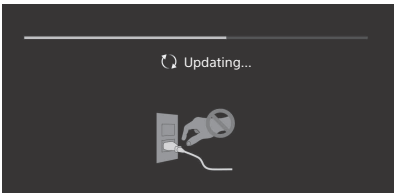
- Still moment til ca. 1,5 N·m {15 kgf·cm} hvis det brukes en elektrisk skrutrekker.

NO

Feilsøking

For å holde TV-ens programvare oppdatert, er det nødvendig å laste ned siste programvareinformasjon via det digitale kringkastingssystemet eller Internett og oppdatere programvaren. Velg [Oppdater nå] for å starte en programvareoppdatering. LED-lampen blinker hvitt mens programvaren oppdaterer.

Følgende skjermbilde med [Updating...] (Oppdaterer...) vises mens programvaren oppdateres.



Ikke koble fra strømledningen under programvareoppdateringen. Hvis du gjør dette, kan det hende programvareoppdateringen ikke fullføres og det kan oppstå feil med programvaren. Programvareoppdateringer kan ta opptil 30 minutter. Hvis du ikke ønsker å oppdatere programvaren automatisk, trykk på **HOME** og velg [Hjelp] → [Systemprogramvareoppdatering] → [Auto. nedlasting av programvare] → [Av].

Når du kobler til TV-en, kan det hende at TV-en ikke kan slås på en stund selv om du trykker på strømknappen på fjernkontrollen eller TV-en, fordi det tar tid å initialisere systemet. Vent omtrent ett minutt, og prøv deretter igjen. Når du slår på ved å trykke på strømknappen på fjernkontrollen eller TV-en, tar det noe tid å slå på LED-lampen og før fjernkontrollen kan brukes.

Når LED-lyset blinker rødt, tell hvor mange ganger den blinker (intervalltiden er tre sekunder).

Hvis LED-lampen blinker rødt, tilbakestiller du TV-en ved å koble strømledningen fra i to minutter, så slår du på TV-en. Hvis problemet vedvarer, kontakt forhandleren eller Sony servicesenter og oppgi antall ganger LED-lyset blinker rødt (intervalltid er tre sekunder). Koble fra strømledningen, og informer forhandleren eller et Sony-servicesenter.

Når LED-lyset ikke blinker, kontrollerer du elementene i tabellene som følger.

Se også om feilsøking i Hjelpeveiledningen eller utfør selvdiagnostikk ved å velge [Hjelp] → [Selvdiagnostikk]. La kvalifisert servicepersonell utføre service på TV-en hvis problemet vedvarer.

Problemer og løsninger

Det vises ikke noe bilde (mørk skjerm) og ingen lyd.

- Kontroller antenne-/kabelforbindelsene.
- Koble TV-en til strømledningen og trykk på \odot på TV-en eller på fjernkontrollen.

Noen programmer kan ikke stilles inn.

- Kontroller antenne-/kabelforbindelsene.
- Det kan være kortslutning i satellittkanalen, eller det kan være problemer med tilkoblingen av kabelen. Kontroller kabelen og tilkoblingen, og slå av TV-en med På /Av-bryteren og slå den deretter på igjen.
- Den angitte frekvensen er utenfor søkeområdet. Kontakt leverandøren av satellittsignalet du mottar.

Engen kabel-TV-tjenester (programmer) ble funnet.

- Kontroller kabeltilkoblingen eller innstillingskonfigurasjonen.
- Førsøk [Automatisk kanalsøk for digitale kanaler] ved å velge [Egen Antenne] i stedet for [Kabel].

Fjernkontrollen virker ikke.

- Skift batteriene.

Passordet for [Tilgangskontroll (kringkasting)] er glemt.

- Angi PIN-koden 9999. Oppdater PIN-kode ved å velge [Innstillinger] → [Tilgangskontroll (kringkasting)] → [Endre PIN-kode].

Utsiden av TV-en blir varm.

- Utsiden av TV-en blir varm når TV-en har vært i bruk i en lengre periode. Du kan kjenne denne varmen når du legger hånden der.

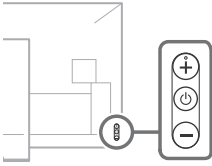
Lyd eller bilde fryser, skjermen er svart eller TV-en svarer ikke på knapper på TV-en eller fjernkontrollen.

- Utfør en enkel nullstilling av TV-en ved å koble fra strømledningen i to minutter, koble den deretter til igjen.

Finner ikke knappene , + og - på TV-en.

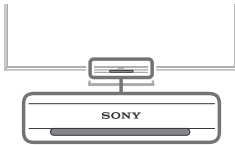
- Se illustrasjonen under for knappenes plassering på TV-en.

Baksiden på TV-en



Belysnings-LED er tent.


- Hvis du ikke vil tenne belysnings-LED, kan du slå av dette.
Trykk på **HOME**, velg deretter [Innstillinger] → [Belysnings-LED] → [Av].



Kan ikke koble til en trådløs ruter med WPS (Wi-Fi Protected Setup).

- Hvis du bruker WEP-sikkerhet, velg [Enkel] → [Wi-Fi] → [Koble til med skanneliste]. Velg deretter nettverksnavnet (SSID) som du vil koble til.

Kan ikke finne nødvendig nettverksnavn i nettverksoppsettet.

- Velg [[Manuell inntasting]] og trykk på  for å angi nettverksnavn.

Spesifikasjoner

System

Skjermssystem

LCD (Liquid Crystal Display = skjerm med flytende krystaller), LED-baklys

TV-system

Avhengig av land / område valg / TV-modell

Analog: B/G, D/K, L, I

Digital: DVB-T/DVB-C

DVB-T2*

Satellitt*: DVB-S/DVB-S2

Fargesystem

PAL, SECAM, NTSC3.58 (Kun video), NTSC4.43 (Kun video)

Kanaldekning

Avhengig av land / område valg / TV-modell

Analog: UHF/VHF/kabel

Digital: UHF/VHF/kabel

Satellitt*: IF-frekvens 950-2150 MHz

Lydutgang

10 W + 10 W

Trådløs teknologi

Protokoll IEEE802.11ac/a/b/g/n

(IEEE802.11ac er kanskje ikke tilgjengelig avhengig av land/region.)

Bluetooth versjon 4.1

- * Ikke alle TV-apparater har DVB-T2-, eller DVB-S- / S2-teknologi eller satellittanteneterminal.

Inngangs-/utgangskontakter

Antenne (luft)/kabel

75 ohm ekstern terminal for VHF/UHF

Satellittmottaker

Hunn F-kontakt, 75 ohm.

DiSEqC 1.0, LNB 13 V/18 V og 22 kHz tone,

Distribusjon med én kabel EN50494.

AV 1

21-pinner scartkontakt (CENELEC-standard)

inkludert lyd-/video inngang, RGB-inngang og TV lyd-/bildeutgang.

AV 2

Video-/lydinngang (minikontakt)

HDMI IN 1, 2, 3, 4 (støtter 4K-oppløsning, HDCP 2.2-kompatibel)

Video (2D):

4096 × 2160p (50, 60 Hz)*¹, *², 4096 × 2160p (24 Hz)*¹, 3840 × 2160p (50, 60 Hz)*², 3840 × 2160p (24, 25, 30 Hz), 1080p (30, 50, 60 Hz), 1080/24p, 1080i (50, 60 Hz), 720p (30, 50, 60 Hz), 720/24p, 576p, 576i, 480p, 480i, PC-formater

*¹ 3840 × 2160p vises når 4096 × 2160p mates inn

*² Kun HDMI IN 2 / 3.

Video (3D) (Kun 3D-kompatible modeller):

Dobbeltramme: 1080p (30Hz), 1080/24p, 1080i (50, 60Hz), 720p (30, 50, 60Hz), 720/24p

Side ved side: 1080p (50, 60Hz), 1080/24p, 1080i (50, 60Hz), 720p (50, 60Hz)

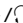
Over-under: 1080p (30, 50, 60Hz), 1080/24p, 1080i (50, 60Hz), 720p (50, 60Hz)

Lyd: 5,1 kanal lineær PCM: 32, 44,1, 48, 88,2, 96, 176,4 og 192 kHz, 16, 20 og 24 biter, Dolby Digital, Dolby Digital Plus og DTS




ARC (Audio Return Channel) (kun HDMI IN 3) (tokenals lineær PCM, Dolby Digital, Dolby Digital Plus, DTS)

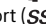
⊖ DIGITAL AUDIO OUT (OPTICAL)

Digital optisk kontakt (tokenals lineær PCM, Dolby Digital, DTS)

AUDIO OUT  (stereomini-kontakt)

Hodetelefon, lydutgang, subwoofer

 1,  2,  3 (HDD REC)*¹

USB-enhetsport ( 3 USB HDD-enhet for REC-funksjon)

USB-port 1 og 2 støtter høyhastighets USB (USB2.0).

USB-port 3 støtter superrask USB (USB3.0).



CAM-spør (Conditional Access Module)



10BASE-T/100BASE-TX-kontakt

(Tilkoblingshastigheten kan variere avhengig av driftsmiljøet til nettverket. 10BASE-T/100BASE-TX kommunikasjons-hastighet og -kvalitet garanteres ikke for denne TV-en.)

IR BLASTER *¹

IR Blaster kabelinngang (miniplugg)

Annet

Tilleggsutstyr

Veggmonteringsbrakett: SU-WL450

(Kun KD-65ZD9)

Trådløs subwoofer: SWF-BR100

Aktive 3D Brillere: TDG-BT500A



Driftstemperatur

0 °C - 40 °C

Driftsluftfuktighet

10 % - 80 % relativ fuktighet (ikke-kondenserende)

Strøm, produktmikrokort og annet

Strømkraft

Rangering: Inntak 220 V - 240 V vekselstrøm, 50 Hz

Energieffektivitetsklasse

KD-75ZD9: B

KD-65ZD9: B

Skjermstørrelse (målt diagonalt) (Ca.)

KD-75ZD9: 189,3 cm / 75 tommer

KD-65ZD9: 163,9 cm / 65 tommer

Strømforbruk

i [Standard]-modus

KD-75ZD9: 259 W

KD-65ZD9: 210 W

i [Dynamisk]-modus

KD-75ZD9: 453 W

KD-65ZD9: 347 W

Gjennomsnittlig årlig strømforbruk*²

KD-75ZD9: 359 kWh

KD-65ZD9: 291 kWh


Strømforbruk i hvilemodus*^{3*4}


0,50 W (27 W i programvare-/EPG-oppdateringsmodus)

Skjermoppløsning

3840 punkter (horisontalt) × 2160 linjer (vertikalt)

Nominell effekt

USB 1/2: 5 V, , 500 mA MAKS.

USB 3: 5 V, , 900 mA MAKS.

Mål (Ca.) (b × h × d)

med bordstativ

KD-75ZD9: 168,4 × 104,7 × 27,8 cm

KD-65ZD9: 146,2 × 92,0 × 26,8 cm

uten bordstativ

KD-75ZD9: 168,4 × 97,3 × 7,8 cm

KD-65ZD9: 146,2 × 84,7 × 7,8 cm

Vekt (Ca.)

med bordstativ

KD-75ZD9: 45,1 kg

KD-65ZD9: 35,7 kg

uten bordstativ

KD-75ZD9: 41,3 kg

KD-65ZD9: 32 kg

*1 Kun i begrenset region/land/TV-modell.

*2 Energiforbruk per år, basert på fjernsynets strømføring når det brukes 4 timer om dagen i 365 dager. Det faktiske energiforbruket vil avhenge av hvordan fjernsynet brukes.

*3 Spesifisert strømføring i hvilemodus nås etter at TV-en har avsluttet nødvendige interne prosesser.

*4 Strømføring i standby vil øke når TV-en er koblet til nettverket.

Merknader

- Ikke ta narrekortet ut av TV CAM-sporet (Conditional Access Module) av noen annen årsak enn for å sette inn et smartkort i CAM-sporet.
- Tilgjengeligheten til tilbehør avhenger av land/region/TV-modell/lagerstatus.
- Design og spesifikasjoner kan endres uten varsel.

Merknader til digital TV-funksjon

- Alle funksjoner som gjelder digital-TV (DVB) vil kun fungere i land eller områder der vanlige, digitale DVB-T/DVB-T2 (MPEG-2 og H.264/MPEG-4 AVC)-signaler kringkastes eller der hvor du har tilgang til en kompatibel DVB-C (MPEG-2 og H.264/MPEG-4 AVC)-kabelservice. Vennligst opplys din lokale forhandler dersom du kan motta et DVB-T/DVB-T2-signal der du bor eller spør kabeltilbyderen om dennes DVB-C-kabelservice er egnet for integrert drift med denne TV-en.
- Din kabeltilbyder kan muligens forlange et gebyr for servicen eller kreve at du aksepterer dennes bedriftsvilkår og -betingelser.
- Denne TV-en samsvarer med DVB-T/DVB-T2- og DVB-C-spesifikasjonene, men kompatibilitet med fremtidig digital, vanlig DVB-T/DVB-T2- og DVB-C-digital kabelkringkasting kan ikke garanteres.
- Endel digitale TV-funksjoner er muligens ikke tilgjengelige i noen land/områder og DVB-C-kabel vil muligens ikke fungere helt som den skal med noen tilbydere.

Varemerker

- Begrepene HDMI og High-Definition Multimedia Interface, og HDMI-logoen er varemerker eller registrerte varemerker for HDMI Licensing LLC i USA og andre land.
- Produsert på lisens fra Dolby Laboratories. Dolby, Dolby Audio og dobbel-D-symbolet er varemerker som tilhører Dolby Laboratories.
- "BRAVIA" og BRAVIA er varemerker for Sony Corporation.
- Gracenote, Gracenote eyeQ, Gracenote VideoID, Gracenote Video Explore, Gracenote-logoen og logoens skrift, og "Powered by Gracenote"-logoen er enten registrerte varemerker eller varemerker for Gracenote i USA og/eller andre land.
- Opera® Devices SDK from Opera Software ASA. Copyright 1995-2015 Opera Software ASA. All rights reserved.
- Wi-Fi, Wi-Fi Direct, Miracast, Wi-Fi Protected Setup og Wi-Fi CERTIFIED-logo er varemerker eller registrerte varemerker for Wi-Fi Alliance.
- For DTS-patenter, se <http://patents.dts.com>. Fremstilt under lisens fra DTS, Inc. DTS, symbolet og DTS og symbolet sammen er registrerte varemerker, og DTS Digital Surround er et varemerke for DTS, Inc. © DTS, Inc. Med enerett.
- QuickSet og QuickSet-logoen er varemerker for Universal Electronics Inc. Deler © UEI 2000-2015
- Bluetooth®-merket og logoene er registrerte varemerker som eies av Bluetooth SIG, Inc., og all bruk av slike merker av Sony Corporation, er under lisens. Andre varemerker og varemerkenavn tilhører sine respektive eiere.
- DiSEqC™ er et varemerke for EUTELSAT. Denne TV-en støtter DiSEqC 1.0. Denne TV-en er ikke ment for styring av motoriserte antenner.
- TUXERA er et registrert varemerke for Tuxera Inc. i USA og andre land.
- USB-IF SuperSpeed USB Trident-logoen er et registrert varemerke for USB Implementers Forum, Inc. 

NO

Spis treści

WAŻNA UWAGA	3
Informacje dotyczące bezpieczeństwa.	3
Środki ostrożności	5
Podzespoły i elementy sterowania.....	7
Elementy sterowania i wskaźniki	7
Korzystanie z pilota	8
Opis pilota	8
Schemat podłączeń	10
Montaż telewizora na ścianie	12
Tylko KD-75ZD9	14
Rozwiązywanie problemów	16
Problemy i rozwiązania	16
Dane techniczne	17

Wprowadzenie

Dziękujemy, że wybrali Państwo produkt firmy Sony. Przed przystąpieniem do eksploatacji telewizora należy dokładnie zapoznać się z treścią niniejszej instrukcji oraz zachować ją do wykorzystania w przyszłości.

Uwaga

- Przed przystąpieniem do eksploatacji telewizora należy zapoznać się z treścią „Informacje dotyczące bezpieczeństwa” (strona 3).
- Zdjęcia i ilustracje użyte w Przewodniku ustawień i w tej instrukcji mają charakter jedynie poglądowy i mogą się różnić od rzeczywistego produktu.

Lokalizacja Przewodnika ustawień

Przewodnik ustawień znajduje się na miękkiej podkładce wewnątrz opakowania z telewizorem.

Przewodnik pomocniczy

Funkcja Pomoc oferuje wiele informacji na temat telewizora. Aby skorzystać z funkcji Pomoc, naciśnij przycisk **HELP** na pilocie. Opisy korzystania z poszczególnych funkcji oraz rozwiązywania problemów można wyszukiwać na liście, głosowo lub korzystając z wyszukiwania według słów kluczowych. W menu Pomoc wybierz [Przewodnik pomocniczy], aby wyświetlić instrukcję obsługi. Po podłączeniu telewizora do Internetu, funkcja Pomoc i informacje będą aktualizowane.

Lokalizacja etykiety identyfikacyjnej

Etykiety dotyczące numeru modelu, daty produkcji (rok i miesiąc) oraz specyfikacji elektrycznej znajdują się z tyłu telewizora lub opakowania. Można ją znaleźć po zdjęciu środkowej osłony.

OSTRZEŻENIE

ABY UNIKNĄĆ RYZYKA
POŻARU, ŚWIECZKI I
INNE ŹRÓDŁA OTWARTEGO
OGNIA NALEŻY ZAWSZE
UTRZYMYWAĆ Z DAŁA OD
PRODUKTU.



WAŻNA UWAGA

Nadzór nad dystrybucją na terytorium RP :
Sony Europe Limited,
The Heights, Brooklands
Weybridge, Surrey, KT 13 0XW
United Kingdom.

Produkt ten został wyprodukowany przez lub na zlecenie Sony Corporation, 1-7-1 Konan Minato-ku Tokio, 108-0075 Japonia. Zapytania dotyczące zgodności produktu z wymaganiami prawa Unii Europejskiej należy kierować do Sony Belgium, bijkantor van Sony Europe Limited, Da Vincilaan 7-D1, 1935 Zaventem, Belgia. W kwestiach dotyczących usług serwisowych lub gwarancji należy korzystać z adresów kontaktowych podanych w oddzielnych dokumentach dotyczących usług serwisowych lub gwarancji.

Uwaga dotycząca sygnału cyfrowego



Niniejszym Sony Corporation oświadcza, że to urządzenie jest zgodne z zasadniczymi wymaganiami oraz innymi stosownymi postanowieniami Dyrektywy 1999/5/WE. Szczegółowe informacje znaleźć można pod następującym adresem URL:

<http://www.compliance.sony.de/>

Informacja dla klientów: poniższe informacje mają zastosowanie wyłącznie do urządzeń w krajach stosujących dyrektywę UE.

Z systemu bezprzewodowego telewizora można korzystać w następujących krajach:

AT, BE, HR, CY, CZ, DK, EE, FI, FR, DE, GR, HU, IE, IT, LV, LT, LU, MT, NL, PL, PT, SK, SI, ES, SE, GB, IS, LI, NO, CH, BG, RO, TR, AL, BA, MK, MD, RS, ME, Kosovo

Urządzenie może być używane w innych krajach poza Europą.

Informacje dotyczące bezpieczeństwa

OSTRZEŻENIE

Nie wolno narażać baterii na działanie zbyt wysokich temperatur przez ekspozycję na słońce, ogień itd.

Nigdy nie należy umieszczać telewizora w niestabilnym miejscu. Telewizor może się przewrócić, powodując poważne obrażenia lub śmierć. Wielu obrażeń, szczególnie u dzieci, można uniknąć stosując takie proste środki ostrożności jak:

- Korzystanie z szafek lub stojaków zalecanych przez producenta telewizora.
- Korzystanie wyłącznie z mebli, które mogą bezpiecznie udźwignąć telewizor.
- Upewnienie się, że telewizor nie wystaje nad krawędź mebli, na których spoczywa.
- Nieumieszczanie telewizora na wysokich meblach (np. kredensach lub szafkach na książki), jeśli meble i telewizor nie zostały zaczepione o odpowiednie oparcie.
- Nieumieszczanie telewizora na obrusie lub innych materiałach, które mogą się znajdować pomiędzy telewizorem i meblem, na którym stoi.
- Wyjaśnienie dzieciom niebezpieczeństwa związanego ze wspinaniem się na mebel w celu sięgnięcia telewizora lub jego elementów sterowania.

Jeśli pozostał stary telewizor i jest on przenoszony do innego miejsca, obowiązują te same wskazówki.

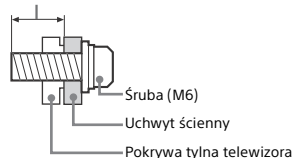
Montaż i instalacja

Aby uniknąć ryzyka wybuchu pożaru, porażenia prądem elektrycznym, uszkodzenia sprzętu i/lub ewentualnych obrażeń ciała, odbiornik TV należy zainstalować zgodnie z instrukcjami podanymi poniżej.

Instalacja

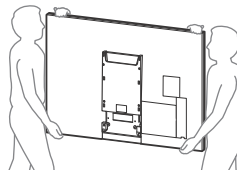
- Telewizor powinien być zainstalowany w pobliżu łatwo dostępnego gniazdka.
- Ustaw telewizor na stabilnej, równej powierzchni tak, aby zapobiec ryzyku jego przewrócenia i spowodowania obrażeń ciała lub uszkodzenia mienia.
- Zainstaluj telewizor w miejscu, w którym nie może być pociągnięty, popchnięty lub przewrócony.
- Montaż uchwyty na ścianie należy zlecić wykwalifikowanemu instalatorowi.
- Ze względów bezpieczeństwa zaleca się stosowanie akcesoriów Sony:
 - SU-WL450 (Tylko KD-65ZD9)
- Podczas montażu uchwyty ściennego do telewizora należy używać śrub dostarczonych razem z uchwytem ściennym. Dostarczone śruby są zaprojektowane w sposób pokazany na ilustracji w przypadku pomiaru od powierzchni mocującej uchwyty ściennego. Średnica i długość śrub różnią się w zależności od modelu ściennego uchwyty mocującego. Stosowanie śrub innych niż dostarczane w komplecie może spowodować uszkodzenia wewnętrzne w odbiorniku TV, jego upadek, itp.

10 mm - 12 mm



Transport

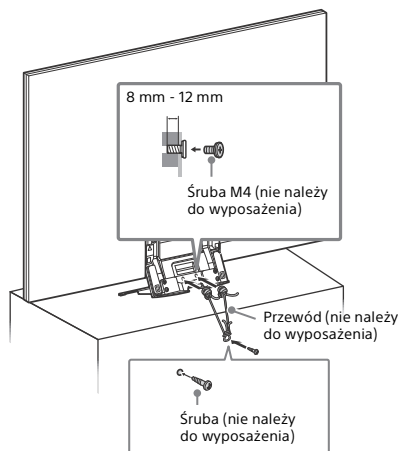
- Przed rozpoczęciem przenoszenia odbiornika należy odłączyć od niego wszystkie kable.
- Do przenoszenia dużego odbiornika TV potrzeba dwóch lub trzech osób.
- Przenosząc telewizor w rękach, należy go złapać tak, jak na rysunku. Nie wolno naciskać ekranu ciekłokrystalicznego ani ramy dookoła ekranu.



- Podczas transportu odbiornik nie powinien być narażony na wstrząsy mechaniczne i nadmierne wibracje.
- Na czas transportu odbiornika do naprawy lub podczas przeprowadzki, należy zapakować go w oryginalny karton i elementy opakowania.

PL

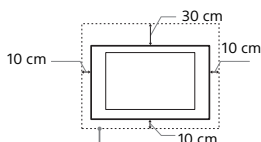
Zabezpieczenie przed przewróceniem



Wentylacja

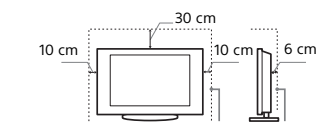
- Nie wolno zasłaniać otworów wentylacyjnych ani wkładać żadnych rzeczy do obudowy.
- Wokół odbiornika TV należy pozostawić trochę wolnej przestrzeni, tak jak to pokazano na rysunku poniżej.
- Zaleca się stosowanie oryginalnego ściennego uchwytu mocującego Sony, aby zapewnić odpowiednią wentylację.

Instalacja na ścianie



Pozostawić co najmniej tyle miejsca wokół odbiornika TV.

Instalacja na podstawie

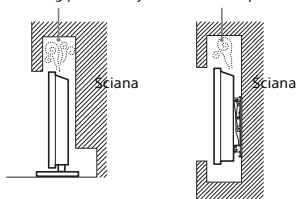


Pozostawić co najmniej tyle miejsca wokół odbiornika TV.

- Aby zapewnić właściwą wentylację i zapobiec osiadaniu brudu lub kurzu:

- Nie należy ustawiać odbiornika TV ekranem do góry, montować go do góry nogami, odwróconego tyłem lub bokiem.
- Nie należy ustawiać odbiornika TV na półce, dywanie, łóżku lub w szafce.
- Nie należy przykrywać odbiornika TV materiałami, np. zasłonami lub innymi przedmiotami, takimi jak gazety itp.
- Nie należy instalować odbiornika tak, jak to pokazano na rysunkach poniżej.

Obieg powietrza jest zablokowany.



Przewód zasilający

Aby uniknąć ryzyka wybuchu pożaru, porażenia prądem elektrycznym, uszkodzenia sprzętu i/lub ewentualnych obrażeń ciała, z przewodem zasilającym i gniazdem sieciowym należy postępować w następujący sposób:

- Należy używać wyłącznie przewodów zasilających dostarczonych przez Sony, a nie przez innych dostawców.
- Wtyczka powinna być całkowicie włożona do gniazda sieciowego.
- Odbiornik TV jest przystosowany do zasilania wyłącznie napięciem 220 V - 240 V AC.
- W celu zachowania bezpieczeństwa, podczas dokonywania połączeń, należy wyjąć wtyczkę przewodu zasilającego z gniazda oraz uważać, aby nie nadepnąć na przewód.
- Przed przystąpieniem do serwisowania lub przesuwania odbiornika TV należy wyjąć wtyczkę przewodu zasilającego z gniazda.
- Przewód zasilający powinien znajdować się z dala od źródeł ciepła.
- Należy regularnie wyjmować wtyczkę z gniazda i czyścić ją. Jeśli wtyczka jest pokryta kurzem i gromadzi wilgoć, jej własności izolujące mogą ulec pogorszeniu, co może być przyczyną pożaru.

Uwaga

- Dostarczonego w zestawie przewodu zasilającego nie należy używać do jakichkolwiek innych urządzeń.
- Należy uważać, aby nie przycisnąć, nie zgąć ani nie skrócić nadmiernie przewodu zasilającego. Może to spowodować uszkodzenie izolacji lub urwanie żył przewodu.
- Nie należy przerabiać przewodu zasilającego.
- Na przewodzie zasilającym nie należy kłaść ciężkich przedmiotów.
- Podczas odłączania nie wolno ciągnąć za sam przewód.
- Nie należy podłączać zbyt wielu urządzeń do tego samego gniazda sieciowego.
- Nie należy używać gniazd sieciowych słabo trzymających wtyczkę.

Niedozwolone użycie

Odbiornika TV nie należy instalować oraz eksploatować w miejscach, warunkach lub okolicznościach, jakie opisano poniżej. Niezastosowanie się do poniższych zaleceń może prowadzić do wadliwej pracy odbiornika, a nawet pożaru, porażenia prądem elektrycznym, uszkodzenia sprzętu i/lub obrażeń ciała.

Miejsce:

- Odbiornika TV nie należy montować na zewnątrz pomieszczeń (w miejscach narażonych na bezpośrednie działanie promieni słonecznych), nad morzem, na statku lub innej jednostce pływającej, w pojeździe, w instytucjach ochrony zdrowia, w miejscach niestabilnych lub narażonych na działanie wody, deszczu, wilgoci lub dymu.

Warunki:

- Nie należy umieszczać telewizora w miejscach gorących, wilgotnych lub nadmiernie zapyłonych; w miejscach, w których do wnętrza mogą dostawać się owady; w miejscach, w których może być narażony na działanie wibracji mechanicznych lub w pobliżu przedmiotów palnych (świeczek, itp.). Odbiornik TV należy chronić przed zalaniem i nie stawiać na nim żadnych przedmiotów wypełnionych wodą, np. wazonów.

Okoliczności:

- Dotykać mokrymi rękoma, przy zdjętej obudowie lub używać z akcesoriami, które nie są zalecane przez producenta. W czasie burz z wyładowaniami atmosferycznymi należy wyjąć wtyczkę przewodu zasilającego telewizora z gniazdka i odłączyć przewód antenowy.
- Instalacja telewizora tak, aby jego obudowa wystawała na otwartą przestrzeń. Jeżeli osoba lub jakikolwiek przedmiot uderzy w telewizor, może spowodować uszkodzenie sprzętu lub doznać obrażeń.
- Umieszczanie telewizora w miejscach wilgotnych lub zakurzonych oraz miejscach wypełnionych olejystym dymem lub parą (w pobliżu płyt kuchennych lub nawilżaczy). Może to spowodować pożar, porażenie prądem lub odkształcenia obudowy.
- Instalacja telewizora w miejscach narażonych na działanie wyższych temperatur, takich jak miejsca bezpośrednio oświetlane przez promienie słońca, położone w pobliżu grzejnika lub nawiewu ogrzewania. W takich warunkach może dojść do przegrzania telewizora, a w konsekwencji do zdeformowania obudowy i/lub awarii samego urządzenia.



- Telewizor znajdujący się w szatni jacuzzi albo łaźni publicznej może zostać uszkodzony przez unoszące się w powietrzu cząsteczki siarki i inne.



- Aby zapewnić najlepszą jakość obrazu, nie należy wystawiać ekranu na bezpośrednio oświetlenie lub działanie promieni słonecznych.
- Nie przenos urządzenia z zimnego do ciepłego pomieszczenia. Gwałtowna zmiana temperatury może powodować skraplanie wilgoci. Może to pogorszyć jakość obrazu na telewizorze lub kolorów. W takiej sytuacji przed włączeniem telewizora należy poczekać na całkowite odparowanie wilgoci.

Kawałek szkła lub uszkodzenia:

- W odbiornik nie należy rzucać żadnymi przedmiotami. Może to spowodować uszkodzenie szkła ekranu i prowadzić do poważnych obrażeń ciała.
- W przypadku pęknięcia powierzchni ekranu lub obudowy telewizora, przed dotknięciem odbiornika należy wyjąć wtyczkę przewodu zasilającego z gniazdka. Może to również powodować porażenie prądem elektrycznym.

Gdy odbiornik TV nie jest używany

- Mając na uwadze kwestie ochrony środowiska i bezpieczeństwa, zaleca się odłączenie odbiornika od źródła zasilania, jeśli nie będzie on używany przez kilka dni.
- Ponieważ wyłączenie odbiornika telewizyjnego nie powoduje odciążenia zasilania, w celu całkowitego wyłączenia urządzenia należy wyciągnąć wtyczkę przewodu zasilającego z gniazda sieciowego.
- Niektóre odbiorniki mogą być wyposażone w funkcje wymagające pozostawienia ich w trybie czuwania.

Zalecenia dot. bezpieczeństwa dzieci

- Nie należy pozwalać, aby na odbiornik TV wspiwały się dzieci.
- Małe akcesoria należy przechowywać z dala od dzieci tak, aby uniknąć ryzyka ich przypadkowego połknięcia.

Co robić w przypadku wystąpienia problemów...

W przypadku wystąpienia jednego z poniższych problemów należy bezzwłocznie **wyłączyć** odbiornik TV oraz wyjąć wtyczkę zasilającą z gniazdka sieciowego. Należy zwrócić się do punktu sprzedaży lub punktu serwisowego firmy Sony z prośbą o sprawdzenie odbiornika przez wykwalifikowanego serwisanta.

W przypadku:

- Uszkodzenia przewodu zasilającego.
- Gniazd sieciowych słabo trzymających wtyczkę.
- Uszkodzenia odbiornika w wyniku jego upuszczenia lub uderzenia przez obiekt obcy.
- Dostania się do wnętrza odbiornika cieczy lub przedmiotów obcych.

Informacje o temperaturze telewizora LCD

Gdy telewizor LCD jest używany przez dłuższy czas może dojść do rozgrzania się miejsc wokół panelu. Po dotknięciu dłońmi tych miejsc możesz poczuć, że są gorące.

Środki ostrożności

PL

Oglądanie telewizji

- Program telewizyjny powinien być oglądany w pomieszczeniu o umiarkowanym oświetleniu, ponieważ oglądanie go w słabym świetle lub przez dłuższy czas jest męczące dla oczu.
- Podczas korzystania ze słuchawek należy unikać nadmiernego poziomu głośności ze względu na ryzyko uszkodzenia słuchu.

(Tylko zgodne modele z funkcją 3D)

- Podczas oglądania wideo 3D lub korzystania ze stereoskopowych gier 3D niektóre osoby mogą odczuwać dyskomfort (np. przemęczenie wzroku, zmęczenie lub nudność). Firma Sony zaleca wszystkim użytkownikom regularne przerwy podczas oglądania obrazu 3D lub grania w stereoskopowe gry 3D. Długość i częstotliwość przerw zależy od konkretnej osoby. Każdy może sam zdecydować, co jest dla niego najlepsze. W razie poczucia dyskomfortu należy przerwać oglądanie wideo 3D oraz granie w stereoskopowe gry 3D, aż dyskomfort minie. W razie potrzeby należy skorzystać z porady lekarza. Należy również zapoznać się z (i) instrukcją obsługi wszelkich innych urządzeń lub nosników używanych z telewizorem, (ii) najnowszymi informacjami na naszej stronie internetowej (www.sony.eu/support). Wzrok młodych dzieci (zwłaszcza do szóstego roku życia) cały czas rozwija się. Przed oglądaniem wideo 3D lub graniem w stereoskopowe gry 3D przez dzieci należy skontaktować się z lekarzem (np. pediatrą lub okulistą). Rodzice powinni zwracać uwagę na to, czy małe dzieci przestrzegają powyższych zaleceń.
- Nie używaj, nie przechowuj ani nie pozostawiaj okularów 3D lub baterii w pobliżu ognia lub w miejscach o wysokiej temperaturze, np. w bezpośrednim świetle słonecznym albo w nagranych słońcem samochodach.

Ekran LCD

- Choćby ekran LCD został wykonany z wykorzystaniem technologii wysokiej precyzji, dzięki której aktywnych jest ponad 99,99 % pikseli, na ekranie mogą pojawiać się czarne plamki lub jasne kropki (w kolorze czerwonym, niebieskim lub zielonym). Jest to jednak właściwość wynikająca z konstrukcji ekranu LCD i nie jest objawem usterki.
- Nie wolno naciskać ani drapać przedniego filtra, a także kłaść na odbiorniku TV żadnych przedmiotów. Może to spowodować zakłócenia obrazu lub uszkodzenie ekranu LCD.
- Jeśli odbiornik TV jest używany w zimnym miejscu, na obrazie mogą wystąpić plamy lub obraz może stać się ciemny. Nie jest to oznaką uszkodzenia telewizora. Zjawiska te zanikają w miarę wzrostu temperatury.
- Długotrwałe wyświetlanie obrazów nieruchomych może spowodować wystąpienie obrazów wtórnych (tzw. zjawy). Mogą one zniknąć po krótkiej chwili.
- Ekran i obudowa nagrzewają się podczas pracy telewizora. Nie jest to oznaką uszkodzenia urządzenia.
- Ekran LCD zawiera niewielką ilość ciekłych kryształów. Podczas utylizacji należy przestrzegać lokalnych założeń i przepisów.

Obchodzenie się z powierzchnią ekranu/obudową odbiornika TV i ich czyszczenie

Przed przystąpieniem do czyszczenia należy wyjąć wtyczkę przewodu zasilającego z gniazdka.

Aby uniknąć pogorszenia stanu materiału lub powłoki ekranu odbiornika, należy postępować zgodnie z poniższymi środkami ostrożności.

- Aby usunąć kurz z powierzchni ekranu/obudowy, należy wytrzeć go delikatnie za pomocą miękkiej ściereczki. Jeśli nie można usunąć kurzu, należy wytrzeć ekran za pomocą miękkiej ściereczki lekko zwilżonej rozcieńczonym roztworem delikatnego detergentu.
- Nie wolno spryskiwać odbiornika TV wodą ani detergentem. Ciecz może przedostać się przez spód ekranu lub elementy zewnętrzne do środka odbiornika i spowodować jego uszkodzenie.
- Nie należy używać szorstkich gąbek, środków czyszczących na bazie zasad lub kwasów, proszków do czyszczenia ani lotnych rozpuszczalników, takich jak alkohol, benzyna, rozcieńczalnik czy środek owadobójczy. Używanie takich środków lub długotrwały kontakt z gumą lub winylem może spowodować uszkodzenie powierzchni ekranu lub obudowy.
- Nie dotykaj telewizora, gdy masz ręce pokryte dowolną substancją chemiczną np. kremem do rąk lub kremem do opalania.
- Aby zapewnić właściwą wentylację, zaleca się okresowo odkurzać otwory wentylacyjne.
- Regulację kąta nachylenia odbiornika należy wykonywać powolnym ruchem tak, aby odbiornik nie spadł lub nie zsunął się z podstawy pod telewizor.



Urządzenia dodatkowe

- W pobliżu odbiornika TV nie należy umieszczać urządzeń dodatkowych lub urządzeń emitujących promieniowanie elektromagnetyczne. Może to spowodować zakłócenia obrazu i/lub dźwięku.
- To urządzenie zostało przetestowane i uznane za zgodne z ograniczeniami zawartymi w dyrektywie EMC przy założeniu, że używany jest kabel o długości 3 metrów lub krótszy.

Zalecenie dotyczące wtyku typu F

Długość części przewodu wewnętrznej wystającej z części połączeniowej nie może przekraczać 1,5 mm.



maks. 7 mm
maks. 1,5 mm
(rysunek przedstawiający wtyk typu F)

Funkcje komunikacji bezprzewodowej

- Nie należy używać produktu w pobliżu sprzętu medycznego (rozruszniki serca itd.), gdyż może to skutkować wadliwym działaniem tego sprzętu.
- To urządzenie wysyła i odbiera sygnał zakodowany. Tym niemniej należy dbać o to, aby nie został on przechwycony przez niepowołane osoby. Nie ponosimy odpowiedzialności za ewentualne problemy wynikające z takich zdarzeń.

Zalecenie dotyczące obsługi pilota

- Przy wkładaniu baterii do pilota zachować właściwą biegunowość.
- Nie należy używać różnych typów baterii jednocześnie ani łączyć starych baterii z nowymi.
- Zużyte baterie należy utylizować w sposób nieszkodliwy dla środowiska naturalnego. W niektórych regionach sposób utylizacji zużytych baterii mogą regulować stosowne przepisy. Należy skontaktować się w tej sprawie z lokalnymi władzami.
- Należy ostrożnie obchodzić się z pilotem. Nie należy nim rzucać, chodzić po nim, ani wylewać na niego żadnych płynów.
- Nie należy kłaść pilota w pobliżu źródeł ciepła lub w miejscach narażonych na bezpośrednie działanie promieni słonecznych. Chronić je przed wilgocią.

Utylizacja telewizora



Pozbywanie się zużytego sprzętu (stosowane w krajach Unii Europejskiej i w pozostałych krajach europejskich stosujących własne systemy zbiórki)

Ten symbol na produkcie lub jego opakowaniu oznacza, że produkt nie może być traktowany jako odpad komunalny, lecz powinno się go dostarczyć do odpowiedniego punktu zbiórki sprzętu elektrycznego i elektronicznego, w celu recyklingu. Odpowiednie zadszponowanie zużytego produktu zapobiega potencjalnym negatywnym wpływom na środowisko oraz zdrowie ludzi, jakie mogłyby wystąpić w przypadku niewłaściwego zagospodarowania odpadów. Recykling materiałów pomaga chronić środowisko naturalne. W celu uzyskania bardziej szczegółowych informacji na temat recyklingu tego produktu, należy skontaktować się z lokalną jednostką samorządu terytorialnego, ze służbami zagospodarowywania odpadów lub ze sklepem, w którym zakupiony został ten produkt.

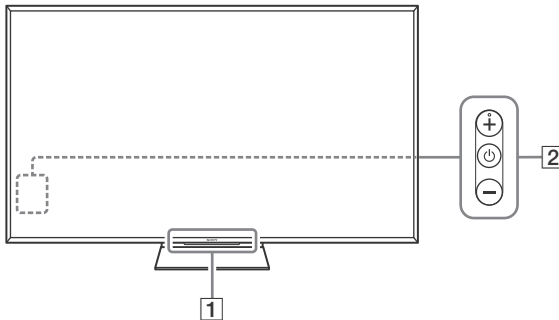


Pozbywanie się zużytych baterii (stosowane w krajach Unii Europejskiej i w pozostałych krajach europejskich mających własne systemy zbiórki)

Ten symbol umieszczony na baterii lub na jej opakowaniu oznacza, że nie może być ona traktowana jako odpad komunalny. Symbol ten dla pewnych rodzajów baterii może być stosowany w kombinacji z symbolem chemicznym. Symbole chemiczne rtęci (Hg) lub ołowiu (Pb) stosuje się jako dodatkowe oznaczenie, jeśli bateria zawiera więcej niż 0,0005 % rtęci lub 0,004 % ołowiu. Odpowiednio gospodarując zużytymi bateriami, możesz zapobiec potencjalnym negatywnym wpływom na środowisko oraz zdrowie ludzi, jakie mogłyby wystąpić w przypadku niewłaściwego obchodzenia się z tymi odpadami. Recykling baterii pomoże chronić środowisko naturalne. W przypadku produktów, w których ze względu na bezpieczeństwo, poprawne działanie lub integralność danych wymagane jest stałe podłączenie do baterii, wymianę zużytej baterii należy zlecić wyłącznie wykwalifikowanemu personelowi stacji serwisowej. Aby mieć pewność, że bateria znajdująca się w zużytym sprzęcie elektrycznym i elektronicznym będzie właściwie zagospodarowana, należy dostarczyć sprzęt do odpowiedniego punktu zbiórki. W odniesieniu do wszystkich pozostałych zużytych baterii, prosimy o zapoznanie się z rozdziałem instrukcji obsługi produktu o bezpiecznym demontażu baterii. Zużyta baterię należy dostarczyć do właściwego punktu zbiórki. W celu uzyskania bardziej szczegółowych informacji na temat zbiórki i recyklingu baterii należy skontaktować się z lokalną jednostką samorządu terytorialnego, ze służbami zajmującymi się zagospodarowywaniem odpadów lub ze sklepem, w którym zakupiony został ten produkt.

Podzespoły i elementy sterowania

Elementy sterowania i wskaźniki





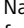
1 Czujnik zdalnego sterowania*1 / Czujnik światła*1 / Dioda LED / Transmitter synchronizacji 3D*1*2

Diody podświetlające są włączone lub migają zgodnie z aktualnym stanem TV.

- Biały
W czasie włączania telewizora/trybu wyłączenia obrazu/aktualizacji oprogramowania itp.
- Niebiesko-zielony
W czasie podłączania bezprzewodowo urządzenia przenośnego.
- Różowy*2
Tryb nagrywania.
- Bursztynowy
Czas jest ustawiony.

2 (Włącznik) / + / -

Gdy telewizor jest wyłączony,
Naciśnij , aby go włączyć.

Gdy telewizor jest włączony,
Naciśnij i przytrzymaj , aby go wyłączyć.
Naciśnij kilkakrotnie przycisk , aby zmienić funkcję, a następnie naciśnij przycisk + lub -, aby:

- regulacja głośności
- wybór kanału
- wybór źródła sygnału dla telewizora

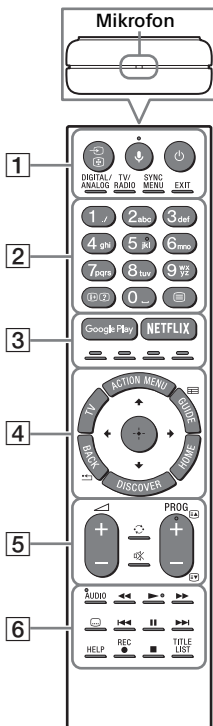
*1 Nie umieszczaj żadnych przedmiotów w pobliżu czujnika.

*2 Wyłącznie w przypadku niektórych regionów/krajów/modeli telewizora.

Korzystanie z pilota

Opis pilota

Kształt, rozkład, dostępność i działanie funkcji przycisków pilota mogą się różnić w zależności od regionu/kraju/modelu telewizora.



1 (Wybór wejścia/zatrzymanie strony)

W trybie TV: Wyświetl i wybierz źródło sygnału wejściowego.

W trybie tekstowym: Zatrzymanie bieżącej strony.

(Mikrofon)

Używanie funkcji głosowych. (Przykładowo: wyszukiwanie treści za pomocą poleceń głosowych).

(Czuwanie)

Włączanie lub wyłączanie telewizora (tryb czuwania).

DIGITAL/ANALOG

Przełączanie trybu analogowego i cyfrowego.

TV/RADIO

Przełączanie między kanałami telewizyjnymi i stacjami radiowymi.

SYNC MENU

Wyświetlanie menu BRAVIA Sync.

EXIT

Powrót do poprzedniego ekranu lub wyjście z menu. Gdy dostępna jest usługa aplikacji interaktywnych, naciśnięcie przycisku powoduje zamknięcie usługi.

2 Przyciski numeryczne

/? (Wyświetlanie informacji/tekstu)

Wyświetlanie informacji.

(Tekst)

Wyświetlanie informacji tekstowych.

3 Google Play

Dostęp do usługi online „Google Play”.

NETFLIX (wyłącznie w przypadku niektórych regionów / krajów / modelu telewizora)

Dostęp do usługi online „NETFLIX”.

Przyciski kolorowe

Wykonują daną funkcję w określonym czasie.

4 ACTION MENU

Wyświetlanie listy funkcji kontekstowych.

TV

- Wybór kanału TV lub sygnału z innej aplikacji.
- Włączyć telewizor, aby wyświetlić kanał TV lub inne źródło sygnału.

GUIDE/

Wyświetlanie cyfrowego przewodnika po programach.

BACK/

Powrót do poprzedniego ekranu.

HOME

Wyświetlanie menu głównego telewizora.

DISCOVER

Wyświetlanie paska treści umożliwiającego wyszukiwanie treści.

↑/↔/↔/↓/⊕ (Wybierz pozycję/ Wprowadź)

5 +/- (Głośność)

Regulacja głośności.

(Przejście)



Umożliwia przechodzenie między dwoma kanałami lub wejściami. W telewizorze są naprzemiennie wybierane kanały/wejścia bieżące i ostatnie wybrane.

(Wyciszenie)

Wyciszenie dźwięku. Ponownie naciśnięcie wyłącza wyciszenie.

PROG +/-//

W trybie TV: Wybór kanału.

W trybie tekstowym: Wybór następnej () lub poprzedniej () strony.

6 AUDIO

Zmiana języka aktualnie oglądanego programu.

(Tryb napisów)

Włączanie/wyłączanie napisów (gdy funkcja jest dostępna).



Obsługa multimediów na telewizorze i w podłączonym zgodnym urządzeniu BRAVIA Sync.

HELP

Wyświetlanie menu pomocy. Z tego poziomu można uzyskać dostęp do Przewodnika pomocniczego.

REC

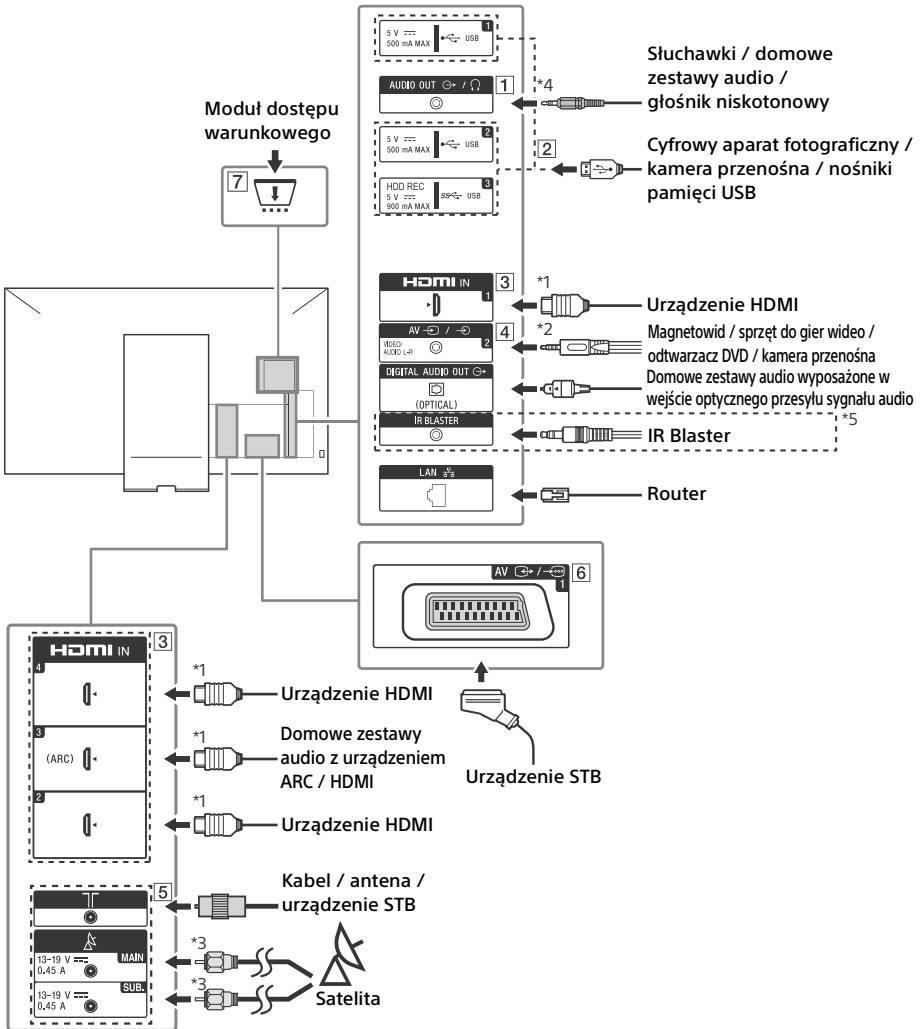
Zapisanie bieżącego programu za pomocą funkcji nagrywania na dysku twardym USB.

TITLE LIST

Wyświetlanie listy tytułów.

Schemat połączeń

Dodatkowe informacje o połączeniach: Przewodnik pomocniczy (strona 2).



1 AUDIO OUT *4

- Aby dźwięk z telewizora odtwarzać za pomocą podłączonego sprzętu audio, naciśnij przycisk **HOME**. Wybierz pozycję [Ustawienia] → [Dźwięk] → [Wyście słuchawkowe/audio] wskaż żądaną pozycję.

2 **USB 1/2, USB 3 (HDD REC)*5**

- Podłączenie dużego urządzenia USB może zakłócić pracę innych podłączonych urządzeń w pobliżu.
- Duże urządzenia USB należy podłączać do złącza USB 1.

3 **HDMI IN 1/2/3/4**

- W przypadku podłączania cyfrowego systemu audio zgodnego z technologią kanału zwrotnego audio należy użyć złącza HDMI IN 3. W innych przypadkach należy użyć złącza DIGITAL AUDIO OUT (OPTICAL).

4 **AV 2**

- Do podłączenia sygnału zespolonego należy użyć dostarczonego w zestawie przedłużacza kabla analogowego*5.

5 **(Wejście RF), (Wejście satelitarne)**

- Podłączenia sygnału naziemnego/kablowego i satelitarnego. Kolejność podłączeń: MAIN → Antena → SUB.
- Gniazdo SUB. należy podłączyć wyłącznie, jeżeli wykorzystywany jest tryb podwójnego tunera, z wyjątkiem dystrybucji za pomocą pojedynczego kabla EN50494.

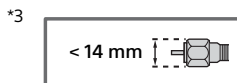
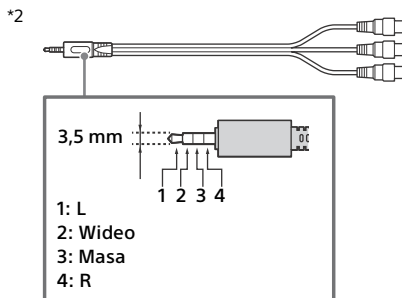
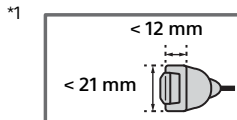
6 **AV 1**

- Połącz za pomocą kabla SCART. Po podłączeniu dekodera analogowego tuner TV przesyła zakodowany sygnał do dekodera, a dekoderek odkodowuje go przed wyświetleniem obrazu.

7 **CAM (Moduł warunkowego dostępu)**

- Zapewnia dostęp do płatnych usług TV. Szczegóły zawarto w instrukcji obsługi modułu CAM.
- Karty smart card nie należy bezpośrednio podłączać do złącza TV CAM. Kartę należy najpierw umieścić w module warunkowego dostępu dostarczonym przez autoryzowanego dystrybutora.

- Moduły CAM nie są obsługiwane w niektórych krajach/obszarach. Szczegółowych informacji udzielają autoryzowani dystrybutorzy.
- Komunikat CAM może zostać wyświetlony po wybraniu programu cyfrowego po zakończeniu korzystania z funkcji przeglądania filmów w internecie.



*4 Obsługuje wyłącznie 3-biegunowe miniaturowe wtyczki stereo typu minijack.

*5 Wyłącznie w przypadku niektórych regionów/krajów/modeli telewizora.

Montaż telewizora na ścianie

W tej instrukcji obsługi telewizora pokazano wyłącznie kroki dotyczące przygotowania telewizora do montażu na ścianie.

Do klientów:

Ze względu na ochronę produktu i zapewnienie bezpieczeństwa firma Sony zaleca, aby montaż tego telewizora był wykonywany przez przedstawicieli firmy Sony lub licencjonowanych wykonawców. Nie próbować wykonywać montażu samodzielnie.

Do przedstawicieli firmy Sony i licencjonowanych wykonawców:

Zwracać uwagę na bezpieczeństwo podczas montażu, konserwacji okresowej i sprawdzania tego produktu.

Do zamontowania tego produktu wymagane jest odpowiednie doświadczenie, szczególnie w celu oceny, czy ściana jest odpowiednio wytrzymała, aby unieść ciężar telewizora. Należy powierzać montaż tego produktu na ścianie przedstawicielom firmy Sony lub licencjonowanym wykonawcom i zwracać uwagę na bezpieczeństwo podczas montażu. Firma Sony nie ponosi żadnej odpowiedzialności za uszkodzenia lub obrażenia spowodowane nieprawidłową obsługą lub montażem.

Za pomocą uchwyty ścienne SU-WL450 (nie należy do wyposażenia) (KD-65ZD9) telewizor można zamontować na ścianie.

Podczas montażu uchwyty ścienne korzystaj również z instrukcji obsługi i instrukcji montażu dostarczonych z uchwytem ściennym.

Uwaga

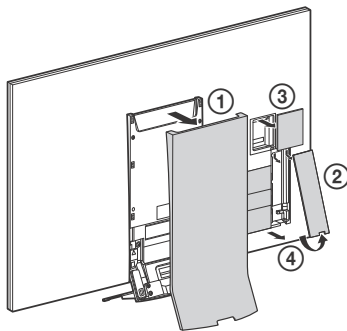
- Przechowywać wykręcone śruby w bezpiecznym miejscu, z dala od dzieci.



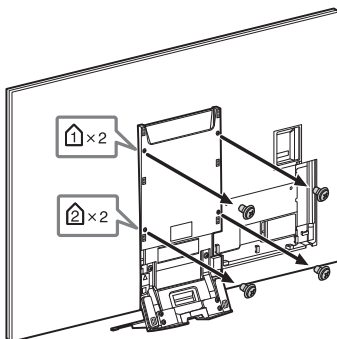
Instrukcje montażu uchwyty ścienne dla telewizora:
www.sony.eu/tv/wall-mount-bracket-manual

Tylko KD-65ZD9

1 Zdejmij boczną, wewnętrzną, górną i środkową osłonę.



2 Odkręć śruby z tylnego panelu telewizora.



PL

Tylko KD-75ZD9

Telewizor można zamontować na uchwycie ściennym (brak w zestawie) po wyjęciu z opakowania.

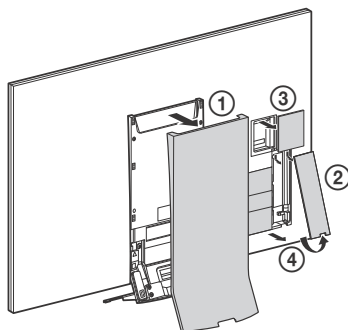
Przed podłączeniem przewodów należy przygotować telewizor do zamontowania uchwytu ściennego.

Ze względu na bezpieczeństwo produktu oraz użytkownika firma Sony zaleca, aby montaż telewizora na ścianie był wykonywany przez wykwalifikowanych monterów. Nie próbować wykonywać montażu samodzielnie.

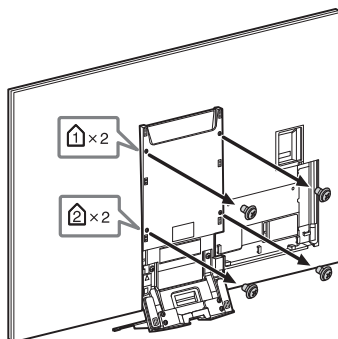
- Postępować zgodnie z instrukcjami dostarczonymi z uchwytem ściennym dla danego modelu.
Do zamontowania tego telewizora wymagane jest odpowiednie doświadczenie, szczególnie w celu oceny, czy ściana jest odpowiednio wytrzymała, aby unieść ciężar telewizora.
- Nieużywane śruby i podstawę należy przechowywać w bezpiecznym miejscu z przeznaczeniem do zamontowania w przyszłości. Śruby należy przechowywać poza zasięgiem dzieci.

Tylko KD-75ZD9

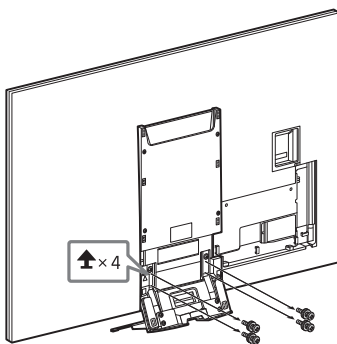
- 1 Zdejmij boczną, wewnętrzną, górną i środkową osłonę.



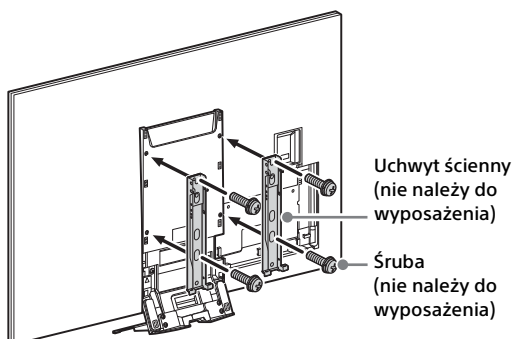
- 2 Odkręć śruby z tylnego panelu telewizora.



3 Odłącz podstawę od telewizora.



4 Przymocuj uchwyt ścienny (nie należy do wyposażenia) za pomocą śrub (nie należy do wyposażenia).

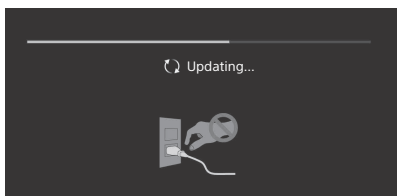


Uwaga

- W przypadku stosowania wkrętarki ustaw moment wkręcania na ok. 1,5 N·m {15 kgf·cm}.

Rozwiązywanie problemów

Aby zapewnić aktualność oprogramowania telewizora, należy pobrać informacje o najnowszym oprogramowaniu za pomocą cyfrowego systemu nadawczego lub Internetu i zaktualizować oprogramowanie. Aby rozpocząć aktualizację oprogramowania, wybierz opcję [Aktualizuj teraz]. Podczas aktualizacji oprogramowania dioda podświetlenia LED miga na biało. Podczas aktualizacji oprogramowania nie wolno odłączać telewizora od źródła zasilania. Podczas aktualizacji oprogramowania zostanie wyświetlony następujący ekran [Updating...] (Aktualizowanie...).



Odłączenie od zasilania przed ukończeniem aktualizacji może spowodować uszkodzenie oprogramowania. Aktualizacja może potrwać do 30 minut. Jeśli nie chcesz aktualizować oprogramowania automatycznie, naciśnij przycisk **HOME** i wybierz pozycje [Pomoc] → [Aktualizacja oprogramowania systemowego] → [Automat. pobieranie oprogram.] → [Wył.].

Po podłączeniu telewizora przez pewien czas może się on nie dać włączyć, nawet po naciśnięciu przycisku zasilania na pilocie albo na telewizorze, ponieważ wymagany jest pewien czas na inicjalizację systemu. Należy odczekać jedną minutę, następnie spróbować włączyć telewizor ponownie.

W przypadku włączenia poprzez naciśnięcie przycisku zasilania na pilocie lub telewizorze zaświecenie się diody LED podświetlenia oraz zadziałanie pilota mogą wystąpić z pewnym opóźnieniem.

Jeśli wskaźnik LED miga na czerwono, policz liczbę mignięć (odstęp czasu wynosi trzy sekundy).

Gdy dioda LED podświetlenia miga na czerwono, zresetować telewizor, odłączając przewód zasilania telewizora na dwie minuty, a następnie ponownie włączyć telewizor.


Jeśli problem się utrzymuje, skontaktować z przedstawicielem lub punktem serwisowym firmy Sony, podając liczbę mignięć dioda podświetlenia LED na czerwono (odstęp wynosi trzy sekundy). Odłącz przewód zasilający i poinformuj lokalnego dystrybutora lub centrum serwisowe firmy Sony.

Jeśli wskaźnik LED nie miga, sprawdź elementy wymienione w poniższej tabeli.

Patrz również sekcja Rozwiązywanie problemów w Przewodniku pomocniczym lub samodzielnie sprawdź stan, wybierając pozycje [Pomoc] → [Automatyczna diagnostyka]. Jeśli problem się utrzymuje, należy zlecić wykonanie naprawy telewizora wykwalifikowanemu personelowi serwisowemu.

Problemy i rozwiązania

Brak obrazu (ekran jest ciemny), brak dźwięku.

- Sprawdź podłączenie anteny/kabla.
- Podłącz telewizor do zasilania i naciśnij przycisk  na telewizorze lub pilocie.

Niektórych programów nie można dostroić.

- Sprawdź podłączenie anteny/kabla.
- Kabel odbiornika satelitarnego może być zwarty lub występuje problem z połączeniem kabla. Sprawdzić kabel i połączenie, wyłączyć odbiornik TV przy użyciu włącznika/wyłącznika zasilania, a następnie wyłączyć go ponownie.
- Wprowadzona częstotliwość jest poza zakresem. Należy skontaktować się z operatorem telewizji satelitarnej.

Nie znaleziono żadnych usług telewizji kablowej (programów).

- Sprawdź podłączenie kabla lub konfigurację strojenia.
- Zmień opcję [Kablowa] na [Naziemna] i spróbuj ponownie wykonać funkcję [Automatyczne strojenie cyfrowe].

Pilota nie działa.

- Wymień baterie.

Nie pamiętasz hasła funkcji [Blokada rodzicielska (transmisja)].

- Wprowadź 9999 jako kod PIN. Zaktualizować PIN wybierając [Ustawienia] → [Blokada rodzicielska (transmisja)] → [Zmień kod PIN].

Otoczenie telewizora może się nagrzać.

- Jeśli telewizor jest używany przez dłuższy czas, jego otoczenie może się nagrzać. Należy uważać na dotykanie tych miejsc ręką, gdyż mogą być gorące.

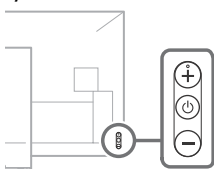
Zamrożony obraz lub dźwięk, pusty ekran, telewizor nie odpowiada na naciskanie przycisków na telewizorze lub pilocie.

- Należy wykonać prosty reset, odłączając przewód telewizora od zasilania na dwie minuty, a następnie podłączając go z powrotem.

Nie można zlokalizować przycisków , + i - na telewizorze.

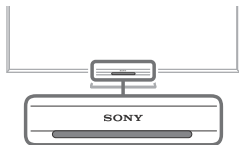
- Patrz poniższa ilustracja odnośnie do lokalizacji przycisków na telewizorze.

Tył telewizora



Dioda podświetlenia LED jest włączona.


- Jeśli nie chcesz, aby dioda podświetlenia LED była włączona, możesz ją wyłączyć. Naciśnij **HOME**, następnie wybierz [Ustawienia] → [Dioda podświetlenia LED] → [Wył.].



Brak możliwości połączenia z routerem bezprzewodowym poprzez WPS (Wi-Fi Protected Setup).

- W przypadku stosowania zabezpieczenia WEP wybierz [Podstawowy] → [Wi-Fi] → [Połącz – lista wyszukiwania]. Następnie wybierz nazwę sieci (SSID), z którą chcesz się połączyć.

Nie można znaleźć żądanej nazwy sieci w ustawieniach sieci.

- Wybierz [[Wprowadzanie ręczne]] i naciśnij , aby wprowadzić nazwę sieci.

Dane techniczne

System

System panelu

Panel z wyświetlaczem ciekłokrystalicznym (LCD),
Podświetlenie LED

System TV

W zależności od kraju / wybranego regionu /
modelu telewizora

Analogowy: B/G, D/K, L, I

Cyfrowy: DVB-T/DVB-C
DVB-T2*

Satelita*: DVB-S/DVB-S2

System kolorów

PAL, SECAM, NTSC3.58 (tylko video), NTSC4.43
(tylko video)

Zakres kanałów

W zależności od kraju / wybranego regionu /
modelu telewizora

Analogowy: UHF/VHF/kablowe

Cyfrowy: UHF/VHF/kablowe

Satelita*: częstotliwość 950-2 150 MHz

Wyjście dźwięku

10 W + 10 W

Technologia bezprzewodowa

Protokół IEEE802.11ac/a/b/g/n

(Protokół IEEE802.11ac może nie być dostępny w
niektórych krajach/regionach).

Bluetooth ver. 4.1

* Nie wszystkie modele telewizorów są wyposażone w
technologię DVB-T2 lub DVB-S/S2, lub też terminal
anteny satelitarnej.

Gniazda wejściowe/Wyjściowe

Antena/kabel

75-omowa antena zewnętrzna VHF/UHF

Antena satelitarna

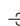
Żeńskie złącze typu F, 75 omowa.

DiSEqC 1.0, LNB 13 V/18 V i sygnał 22 kHz,

Dystr. za pomocą poj. kabla EN50494.

 /  AV 1

21-wtykowe złącze SCART (standard CENELEC), w
tym wejście audio/wideo, wejście RGB, wyjście
audio/wideo TV.

 AV 2

Wejście wideo/audio (mini jack)

HDMI IN 1, 2, 3, 4 (obsługuje rozdzielczość 4K, Zgodność z HDCP 2.2)

Wideo (2D):

4096 × 2160p (50, 60 Hz)*¹, *², 4096 × 2160p (24 Hz)*¹, 3840 × 2160p (50, 60 Hz)*², 3840 × 2160p (24, 25, 30 Hz), 1080p (30, 50, 60 Hz), 1080/24p, 1080i (50, 60 Hz), 720p (30, 50, 60 Hz), 720/24p, 576p, 576i, 480p, 480i, Formaty komputerowe

*¹ Rozdzielczość 3840 × 2160p jest wyświetlana w przypadku wejścia sygnału 4096 × 2160p

*² Tylko HDMI IN 2 / 3.

Wideo (3D) (Tylko zgodne modele z funkcją 3D):

Kompresja ramek: 1080p (30Hz), 1080/24p, 1080i (50, 60Hz), 720p (30, 50, 60Hz), 720/24p
Obok siebie: 1080p (50, 60Hz), 1080/24p, 1080i (50, 60Hz), 720p (50, 60Hz)

Nad i pod: 1080p (30, 50, 60Hz), 1080/24p, 1080i (50, 60Hz), 720p (50, 60Hz)

Dźwięk: 5,1 kanałów, liniowe PCM: 32, 44,1, 48, 88,2, 96, 176,4 i 192 kHz, 16, 20 i 24 bity, Dolby Digital, Dolby Digital Plus i DTS

ARC (Audio Return Channel) (tylko HDMI IN 3) (dwukanałowe liniowe PCM, Dolby Digital, Dolby Digital Plus, DTS)

⊖ DIGITAL AUDIO OUT (OPTICAL)

Cyfrowe gniazdo optyczne (dwukanałowe liniowe PCM, Dolby Digital, DTS)

AUDIO OUT ⊖ / ⊕ (mini jack stereo)

Słuchawki, wyjście audio, głośnik niskotonowy

• ← 1, • ← 2, SS ← 3 (HDD REC)*¹

Port urządzeń USB (SS ← 3 - port USB HDD do obsługi funkcji nagrywania)

Porty USB 1 i 2 obsługują standard High Speed USB (USB2.0).

Port USB 3 obsługuje standard Super Speed USB (USB3.0).



Gniazdo CAM (Modułu Warunkowego Dostępu)



Gniazdo 10BASE-T/100BASE-TX (Prędkość połączenia zależy od parametrów sieci. Nie gwarantuje się prędkości i jakości transmisji przez gniazdo 10BASE-T/100BASE-TX tego odbiornika TV.)

IR BLASTER *¹

Wejście kabla IR Blaster (minijack)

Inne

Wyposażenie dodatkowe

Uchwyt ścienny: SU-WL450 (Tylko KD-65ZD9)

Bezprzewodowy subwoofer: SWF-BR100

Aktywne okulary 3D: TDG-BT500A



Temperatura robocza

0 °C – 40 °C

Wilgotność robocza

10 % – 80 % wilgotności względnej (bez kondensacji)

Moc, karta produktu i inne

Wymagania dotyczące zasilania

Parametry: Wejście 220 V – 240 V prądu zmiennego (AC), 50 Hz

Klasa efektywności energetycznej

KD-75ZD9: B

KD-65ZD9: B

Wielkość ekranu (mierzona po przekątnej) (Ok.)

KD-75ZD9: 189,3 cm / 75 cali

KD-65ZD9: 163,9 cm / 65 cali

Pobór mocy

w trybie [Standardowy]

KD-75ZD9: 259 W

KD-65ZD9: 210 W

w trybie [Żywy]

KD-75ZD9: 453 W

KD-65ZD9: 347 W

Przeciętne roczne zużycie energii*²

KD-75ZD9: 359 kWh

KD-65ZD9: 291 kWh

Pobór mocy w stanie czuwania*^{3*4}

0,50 W (27 W w trybie aktualizacji oprogramowania lub elektronicznego przewoźnika po programach)

Rozdzielczość ekranu

3 840 punktów (w poziomie) × 2 160 linii (w pionie)

Wartości znamionowe wyjścia

USB 1/2: maks. 5 V, ---, 500 mA

USB 3: maks. 5 V, ---, 900 mA

Wymiary (Ok.) (szer. × wys. × gł.)

z podstawą

KD-75ZD9: 168,4 × 104,7 × 27,8 cm

KD-65ZD9: 146,2 × 92,0 × 26,8 cm

bez podstawy

KD-75ZD9: 168,4 × 97,3 × 7,8 cm

KD-65ZD9: 146,2 × 84,7 × 7,8 cm

Waga (Ok.)

z podstawą

KD-75ZD9: 45,1 kg

KD-65ZD9: 35,7 kg

bez podstawy

KD-75ZD9: 41,3 kg

KD-65ZD9: 32 kg

- *1 Wyłącznie w przypadku niektórych regionów/ krajów/modeli telewizora.
- *2 Zużycie energii rocznie, w oparciu o wycieszenie zużycia energii dla telewizora pracującego 4 godziny dziennie przez 365 dni w roku. Rzeczywiste zużycie energii zależy od sposobu korzystania z telewizora.
- *3 Podany pobór mocy w trybie czuwania jest osiąganym po zakończeniu wykonywania przez odbiornik TV wymaganych procesów wewnętrznych.
- *4 Pobór mocy w trybie czuwania wzrosnie przy połączeniu telewizora z siecią.

Uwaga


- Nie wyjmuj atrapy karty z gniazda CAM (Modułu Warunkowego Dostępu) telewizora w innym celu niż włożenie do gniazda CAM karty inteligentnej.
- Dostępność akcesoriów opcjonalnych zależy od kraju, regionu, modelu telewizora i stanu magazynowego.
- Projekt i dane techniczne mogą zostać zmienione bez powiadomienia.

Informacje dotyczące funkcji Telewizji Cyfrowej

- Wszystkie funkcje dotyczące Telewizji Cyfrowej (DVB) dostępne są tylko w krajach lub na obszarach, gdzie nadawane są sygnały cyfrowej telewizji naziemnej DVB-T/DVB-T2 (MPEG-2 i H.264/MPEG-4 AVC) lub w miejscach, w których istnieje dostęp do kompatybilnych z urządzeniem sygnałów kablowych DVB-C (MPEG-2 i H.264/MPEG-4 AVC). Prosimy skontaktować się z lokalnym sprzedawcą, aby ustalić, czy w miejscu Państwa zamieszkania można odbierać sygnały DVB-T/DVB-T2 lub zwrócić się do dostawcy usług kablowych o informacje, czy oferowane przez niego usługi DVB-C będą dostępne w zakupionym odbiorniku TV.
- Państwa dostawca usług kablowych może doliczyć dodatkową opłatę za swoje usługi lub poprosić o podpisanie stosownej umowy.
- Zakupiony model telewizora jest dostosowany do odbioru sygnałów telewizji naziemnej DVB-T/DVB-T2 oraz kablowej DVB-C, nie można jednak zagwarantować jego kompatybilności z tworzonymi w przyszłości programami w formacie DVB-T/DVB-T2 lub DVB-C.
- W niektórych krajach lub regionach pewne funkcje Telewizji Cyfrowej lub kablowej DVB-C mogą być niedostępne.

Informacje dot. znaków towarowych

- HDMI, logo HDMI i nazwa HDMI High-Definition Multimedia Interface to znaki towarowe lub zarejestrowane znaki towarowe HDMI Licensing LLC na terenie Stanów Zjednoczonych i innych krajów.
- Wyprodukowano na licencji Dolby Laboratories. Dolby, Dolby Audio i symbol z podwójnym D są znakami towarowymi firmy Dolby Laboratories.
- „BRAVIA” i BRAVIA są znakami towarowymi Sony Corporation.
- Gracenote, Gracenote eyeQ, Gracenote VideoID, Gracenote Video Explore, logo i logotyp Gracenote oraz logo „Powered by Gracenote” są znakami towarowymi lub zarejestrowanymi znakami towarowymi Gracenote w USA oraz innych krajach.
- Opera® Devices SDK from Opera Software ASA. Copyright 1995-2015 Opera Software ASA. All rights reserved.
- Wi-Fi, Wi-Fi Direct, Miracast, Wi-Fi Protected Setup i logo Wi-Fi CERTIFIED to znaki towarowe lub zarejestrowane znaki towarowe Wi-Fi Alliance.
- W kwestii informacji na temat patentów DTS należy skorzystać z witryny <http://patents.dts.com>. Produkowane na licencji DTS, Inc. DTS, symbol oraz DTS i symbol łącznie są zarejestrowanymi znakami towarowymi, a DTS Digital Surround jest znakiem towarowym DTS, Inc. © DTS, Inc. Wszelkie prawa zastrzeżone.
- QuickSet i logo QuickSet są znakami towarowymi Universal Electronics Inc. Portions © UEI 2000-2015
- Słowo i logo Bluetooth® są zarejestrowanymi znakami towarowymi Bluetooth SIG, Inc. i wszelkie użycie tych znaków przez Sony Corporation odbywa się na mocy licencji. Pozostałe znaki i nazwy towarowe należą do odpowiednich właścicieli.
- DiSEqC™ jest znakiem towarowym firmy EUTELSAT. Telewizor obsługuje funkcję DiSEqC1.0. Dany telewizor nie jest przeznaczony do sterowania antenami z napędem.

- TUXERA jest zastrzeżonym znakiem towarowym firmy Tuxera Inc. w USA i innych krajach.
- Logo USB-IF SuperSpeed USB Trident stanowi zastrzeżony znak towarowy USB Implementers Forum, Inc. 

Obsah

DŮLEŽITÁ POZNÁMKA	2
Bezpečnostní informace	3
Upozornění	5
Součásti a ovládací prvky	7
Ovládací prvky a kontrolky	7
Používání dálkového ovládání	8
Popis součástí dálkového ovládání	8
Schéma zapojení	10
Montáž televizoru na zeď	12
Pouze modely KD-75ZD9	14
Řešení problémů	16
Problémy a řešení	16
Specifikace	17

Úvod

Děkujeme vám, že jste si vybrali tento výrobek Sony. Před zapnutím televizoru si prosím pozorně přečtete tento návod a uschovejte jej pro budoucí potřebu.

Poznámka

- Před zapnutím televizoru si přečtete „Bezpečnostní informace“ (strana 3).
- Obrázky a ilustrace v Průvodci nastavením a v tomto návodu slouží jen pro vaši referenci a mohou se lišit od skutečného vzhledu produktu.

Umístění Průvodce nastavením

Průvodce nastavením se nachází na horní straně měkké podložky uvnitř krabice od televizoru.

Uživatelská příručka

Funkce nápovědy nabízí řadu informací o televizoru. Chcete-li použít funkci nápovědy, stiskněte tlačítko **HELP** na dálkovém ovladači. Zde můžete zjistit, jak řešit problémy ze seznamu nebo pomocí hlasového nebo textového vyhledávání pomocí klíčových slov. Chcete-li zobrazit návod, vyberte v nápovědě možnost [Uživatelská příručka]. Jakmile připojíte TV k internetu, budou funkce nápovědy a informace aktualizovány.

Umístění identifikačního štítku

Štítky s číslem modelu, datem výroby (rokem/měsícem) a specifikací zdroje napájení se nacházejí na zadní části televizoru nebo na obalu. Nacházejí se pod středním krytem.

VAROVÁNÍ

Z DŮVODU ZAMEZENÍ
RIZIKA POŽÁRU



UCHOVÁVEJTE TENTO
PRODUKT VŽDY Z DOSAHU
SVÍČEK NEBO JINÝCH ZDROJŮ
OTEVŘENÉHO OHNĚ.

DŮLEŽITÁ POZNÁMKA

Tento výrobek byl vyroben buď přímo nebo v zastoupení společností Sony Corporation, 1-7-1 Konan Minato-ku Tokyo, 108-0075 Japonsko. Žádosti týkající se technických požadavků na výrobky danými směrnice Evropské unie je třeba adresovat na zplnomocněného zástupce, kterým je Sony Belgium, bijkantoor van Sony Europe Limited, Da Vincilaan 7-D1, 1935 Zaventem, Belgie. Pro záležitosti servisu a záručních podmínek se obraťte na adresy uvedené v servisních a záručních dokumentech.

Poznámka k bezdrátovému signálu



Sony Corporation tímto prohlašuje, že tento výrobek je ve shodě se základními požadavky a dalšími příslušnými ustanoveními směrnice 1999/5/ES. Podrobnosti lze získat na následující URL: <http://www.compliance.sony.de/>

Upozornění pro zákazníky: následující informace se vztahují pouze na přístroje prodávané v zemích podléhajících směrnicím EU.

Bezdrátový televizní systém může být provozován v následujících zemích:

AT, BE, HR, CY, CZ, DK, EE, FI, FR, DE, GR, HU, IE, IT, LV, LT, LU, MT, NL, PL, PT, SK, SI, ES, SE, GB, IS, LI, NO, CH, BG, RO, TR, AL, BA, MK, MD, RS, ME, Kosovo

Toto vybavení může být použito v ostatních neevropských zemích.

Bezpečnostní informace

UPOZORNĚNÍ

Baterie nesmí být vystaveny přílišnému horku, například slunečnímu světlu, ohni a podobně.

TV přijímač nikdy neumísťte na nestabilní místo. TV přijímač by mohl spadnout a způsobit vážné poranění či zabití osob. Mnoha zraněním, zejména dětí, lze předéjít dodržáním jednoduchých opatření, např.:

- Používejte pouze skříňky a podstavce doporučené výrobcem TV přijímače.
- Používejte pouze nábytek, který zajistí bezpečnou oporu TV přijímače.
- Zajistěte, aby TV přijímač nepřesahoval přes okraj nosného nábytku.
- Neumísťujte TV přijímač na vysoký nábytek (například skříňe nebo knihovny) bez ukotvení nábytku a televizoru k vhodné opoře.
- Neumísťujte TV přijímač na textilie nebo jiné materiály, které mohou být umístěny mezi televizorem a nábytkem.
- Vysvětlte dětem nebezpečí lezení na nábytek za účelem dosáhnutí na TV přijímač nebo jeho ovládní.

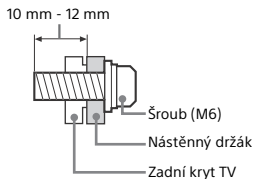
Pokud chcete stávající TV přijímač přemístit, použijte stejná pravidla, jako jsou uvedena výše.

Instalace/Nastavení

Televizor instalujte a použijte podle následujících pokynů, zabráníte tak nebezpečí požáru, úrazu elektrickým proudem nebo poškození anebo zranění.

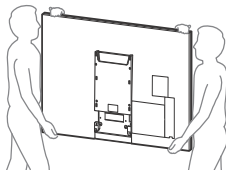
Instalace

- Televizor musí být instalován v blízkosti snadno přístupné zásuvky.
- Položte TV na stabilní, vodorovný povrch, aby přístroj nespadol a nedošlo k poranění osob nebo poškození majetku.
- Televizor nainstalujte na místo, kde za něj nebude možné zatáhnout, zatlačit na něj nebo ho shodit.
- Montáž TV na stěnu smí provádět pouze kvalifikovaný servisní personál.
- Z bezpečnostních důvodů důrazně doporučujeme používání příslušenství Sony včetně:
Nástěnný držák
– SU-WL450 (Pouze modely KD-65ZD9)
- Když k TV připojujete nástěnný držák, použijte šrouby dodané s nástěnným držákem. Dodané šrouby jsou navrženy k použití, jak je vyznačeno na obrázku, měřeno od montážního povrchu nástěnného držáku.
Průměr a délka šroubů se liší podle modelu nástěnného montážního rámu.
Použití jiných šroubů může mít za následek vnitřní poškození televizoru nebo způsobit jeho pád apod.



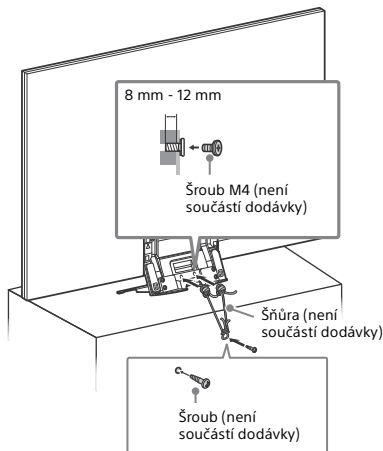
Přeprava

- Před přemístěním televizoru odpojte všechny kabely.
- K přenosu velkého televizoru jsou nutné dvě nebo tři osoby.
- Když přenášíte TV v rukou, držte je, jak je znázorněno níže. Netlačte na LCD panel a rám okolo obrazovky.



- Při přenášení televizoru dbejte na to, aby do něho nenarazil, nebo nadměrně nevíbroval.
- Jestliže vezete televizor do opravy, nebo ho stěhujete, vždy ho zabalte do originální krabice a obalového materiálu.

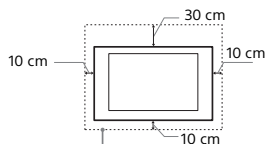
Ochrana před převrácením



Větrání

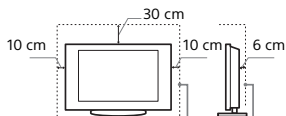
- Nikdy nezakrývejte větrací otvory, ani nic nezasuňte do skříňe televizoru.
- Okolo televizoru ponechte volný prostor jako na níže uvedeném obrázku.
- Důrazně doporučujeme použití nástěnného montážního rámu Sony, který zajišťuje dostatečnou cirkulaci vzduchu.

Instalace na stěně



Okolo televizoru ponechte nejméně takto velký volný prostor.

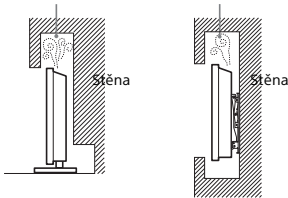
Instalace se stojanem



Okolo televizoru ponechte nejméně takto velký volný prostor.

- K zajištění správného větrání a zabránění usazování nečistot a prachu:
 - Nepokládejte televizor na plochu, nainstalujte ho obráceně, zadní částí dopředu nebo z boku.
 - Neumísťujte televizor na polici, kobereček, postel nebo do skříně.
 - Nezakrývejte televizor látkami jako záclonami, ani různými předměty, např. novinami.
 - Nainstalujte televizor tak, jak je uvedeno na obrázku.

Cirkulace vzduchu je zablokována.



Síťový kabel

Se síťovým kabelem a zástrčkou zacházejte podle následujících pokynů, aby nedošlo k požáru, úrazu elektrickým proudem, poškození anebo zranění.

- Používejte pouze síťové kabely Sony, nikoli kabely jiných dodavatelů.
- Zasuněte zástrčku úplně do síťové zásuvky.
- Televizor používejte pouze v elektrické síti 220 V-240 V stř.
- Při pokládání kabelů nezapomeňte vytáhnout z bezpečnostních důvodů síťový kabel ze zásuvky a zkontrolujte, zda jste o kabely nezachytili nohama.
- Před prací na televizoru nebo před jeho stěhováním vytáhněte síťový kabel ze zásuvky.
- Síťový kabel musí být instalovaný v dostatečné vzdálenosti od tepelných zdrojů.
- Síťový kabel pravidelně vytáhněte ze zásuvky a vyčistěte ho. Pokud je zástrčka zaprášená a hromadí se na ní vlhkost, může se zhoršit její izolace a způsobit požár.

Poznámka

- Dodávaný síťový kabel nepoužívejte pro žádné jiné zařízení.
- Síťový kabel nesmí být nadměrně stlačený, ohnutý nebo zkroutený. Mohlo by dojít k poškození izolace nebo vodičů.
- Síťový kabel žádným způsobem neupravujte.
- Na síťový kabel nestavte nic těžkého.
- Při odpojování síťového kabelu ze zásuvky netahajte za síťový kabel.
- K jedné přívodní zásuvce nepřipojujte příliš mnoho spotřebičů.
- Nepoužívejte uvolněné elektrické zásuvky.

Zakázané použití

Neinstalujte, ani nepoužívejte televizor v dále uvedených místech, prostředích, nebo situacích, protože televizor by mohl špatně fungovat, nebo by mohl způsobit požár, úraz elektrickým proudem nebo poškození majetku anebo zranění.

Umístění:

- Venkovní prostor (na přímém slunečním svitu), na mořském břehu, lodi nebo jiném plavidle, v autě, v lékařských zařízeních, nestabílní umístění, v blízkosti vody, na dešti, ve vlhku nebo kouři.

Prostředí:

- Horká, vlhká nebo nadměrně prašná místa; místa, na která se může dostat hmiz; tam, kde by mohl být televizor vystaven mechanickým vibracím, v blízkosti hořlavých předmětů (svíček apod.). Na televizor nesmí nic kapat nebo stříkat, ani na něm nesmí stát předměty naplněné tekutinami, jako např. vázy.

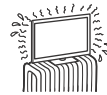
Situace:

- Používejte, máte-li vlhké ruce, je-li odstraněna skříň televizoru nebo s příslušenstvím, které výrobce nedoporučil. Během bouřky s blesky odpojte TV od síťové zásuvky a antény.

- Instalovat televizor tak, aby vyčníval do volného prostoru. Mohlo by dojít ke zranění osob nebo k poškození televizoru, kdyby do něj narazil člověk nebo nějaký předmět.



- Umísťovat televizor do vlhkého nebo prašného prostředí nebo do místnosti s mastným kouřem nebo párou (blízko kuchyňských desek nebo zvlhčovačů vzduchu). Mohlo by dojít k požáru, úrazu elektrickým proudem nebo k deformaci.
- Instalovat televizor v místech vystavených extrémním teplotám, například na přímém slunečním světle, v blízkosti radiátoru nebo větráku topení. Televizor by se v takovém prostředí mohl přehřát, což by mohlo vést k deformaci a/nebo poruše televizoru.



- Je-li televizor umístěn v převlékárně veřejných lázní nebo u horkých pramenů, může dojít k poškození televizoru působením síry ve vzduchu apod.



- Pro co nejlepší kvalitu obrazu nevystavujte obrazovku přímému světlu nebo slunečnímu světlu.
- Nepřemísťujte televizor z chladného místa do tepla. Náhlé změny pokojové teploty by mohly způsobit kondenzaci vlhkosti. Televizor by potom mohl ukazovat nekvalitní obraz a/nebo nekvalitní barvy. Pokud by k tomu došlo, nechte vlhkost zcela odpařit, než televizor spustíte.

Poškozené díly:

- Na televizor nikdy neležte. Sklo na obrazovce se může poškodit a způsobit vážný úraz.
- Jestliže povrch televizoru praskne, nedotýkejte se ho a nejspíše vytáhněte kabel ze zásuvky. Jinak by mohlo dojít k úrazu elektrickým proudem.

Když televizor nepoužíváte

- Jestliže televizor nebudete několik dní používat, odpojte ho z bezpečnostních důvodů a kvůli ochraně životního prostředí od sítě.
- Pokud televizor jen vypnete, není odpojený od napájecí sítě; k úplnému odpojení od sítě vytáhněte proto zástrčku ze zásuvky.
- Některé TV jsou vybaveny funkcemi, které ke správnému fungování vyžadují ponechání TV v pohotovostním stavu.

Pro děti

- Nedovolte dětem, aby na televizor lezly.
- Příslušenství malých rozměrů uschovejte mimo dosah dětí, aby ho nemohly omylem spolknout.

Pokud dojde k následujícímu problému...

Pokud dojde k následujícímu problému, **vypněte** televizor a okamžitě vytáhněte přívodní kabel ze zásuvky.

Požádejte svého prodejce nebo servisní středisko Sony o prohlídku televizoru kvalifikovaným servisním technikem.

Když:

- Přívodní kabel je poškozený.
- Síťová zásuvka je uvolněná.
- Televizor je poškozený pádem na zem, nárazem nebo tím, že na něj něco spadlo.
- Otvory skříně propadl nějaký předmět, nebo se do něj vyliła nějaká tekutina.

O teplotě LCD TV

Když LCD TV používáte po delší časové období, může se okolí panelu zahřát. Když se ho dotknete rukou, může být na dotek horký.

Upozornění

Sledování televizoru

- Televizor sledujte za mírného osvětlení, protože sledování televizoru při slabém světle nebo po dlouhou dobu namáhá oči.
- Používáte-li sluchátka, nastavte hlasitost tak, aby zvuk nebyl příliš silný, protože byste si mohli poškodit sluch.

(Pouze modely kompatibilní s 3D)

- Někteří lidé se mohou při sledování 3D obrazu nebo hraní stereoskopických 3D her cítit nepříjemně (napětí v očích, únava nebo nevolnost). Společnost Sony doporučuje všem uživatelům dělat při sledování 3D obrazu nebo hraní stereoskopických 3D her pravidelné přestávky. Délka a frekvence potřebných přestávek je u různých osob odlišná. Musíte zjistit, jaké řešení je nejlepší. Pokud se cítíte nepříjemně, přestaňte sledovat 3D obraz nebo hrát stereoskopické 3D hry, dokud se váš stav nezlepší. Přečtěte si také (i) příručku k ostatním zařízením a médiím, která s tímto televizorem používáte, (ii) naše webové stránky (www.sony.eu/support), kde naleznete nejnovější informace. Zrak malých dětí (obzvláště těch mladších šesti let) se stále vyvíjí. Předtím, než dovolíte malým dětem sledovat 3D obraz nebo hrát stereoskopické 3D hry, poraďte se s lékařem (s pediatrem nebo očním lékařem). Dospělí musí dohlížet na malé děti a zajistit, aby dodržovaly výše uvedené doporučení.
- 3D brýle nebo baterii nepoužívejte, neskladujte ani nenechávejte na místech vystavených vysokým teplotám, např. na přímém slunci nebo v automobilech rozpálených sluncem.

LCD obrazovka

- I když je LCD obrazovka vyrobena vysoce přesnou technologií a 99,99 % nebo více pixelů funguje správně, mohou se trvale objevovat černé nebo jasné světelné body (červené, modré nebo zelené). Je to způsobeno strukturálními vlastnostmi LCD obrazovky a nejedná se o závadu.
- Netlačte na přední filtr, ani po něm neškrábejte, a na horní plochu televizoru nepokládejte žádné předměty. Obraz by pak mohl být nerovnoměrný nebo by se LCD obrazovka mohla poškodit.
- Budete-li televizor používat na chladném místě, může se v obraze zobrazit skvrna, nebo obraz ztmavne. Nejde o poruchu televizoru. Tento jev po zvýšení okolní teploty zmizí.
- Při nepřetřítém zobrazení statických obrazů může dojít ke vzniku „dudchů“. Po chvíli by se měl tento stav zlepšit.
- Během provozu televizoru se obrazovka i skříň přístroje zahřívají. Neznamená to ale funkční poruchu televizoru.
- LCD obrazovka obsahuje malé množství tekutých krystalů. Při její likvidaci se řiďte místními nařízeními a předpisy.

Zacházení s povrchem obrazovky/skříňky televizoru a jeho čištění

Před čištěním se ujistěte, že jste televizor odpojili vytažením kabelu ze zásuvky.

- Abyste předešli zhoršení stavu materiálu nebo svrchní vrstvy obrazovky, držte ji následující opatření.
- Prach z povrchu obrazovky/skříňky opatrně stírejte měkkým hadříkem. Nepodaří-li se prach takto odstranit, setřete jej jemným hadříkem mírně navlhčeným slabým roztokem rozředěného čistícího prostředku.
- Nikdy nestříkejte vodu ani mycí prostředky přímo na televizor. Mohla by stéct do spodní části obrazovky nebo vnějších částí, dostát se tak do televizoru a televizor tak poškodit.
- Nikdy nepoužívejte jakýkoli typ drsné houbičky, zásadité/kyselé čistící prostředky, brusné prášky ani těkavá rozpouštědla jako alkohol, benzen nebo insekticidy. Při použití těchto materiálů nebo při delším kontaktu s pryžovými nebo vinylovými materiály může dojít k poškození povrchu obrazovky a materiálu skříňky.
- Nedotýkejte se TV, pokud máte na ruce jakoukoliv chemickou látku, jako je například ruční krém nebo ochranný opalovací krém.
- K zajištění správného větrání doporučujeme pravidelné vysávání větracích otvorů.
- Je-li třeba seřídít úhel televizoru, pohybujte televizorem pomalu tak, aby nespadol nebo nesklouzl ze stojanu.

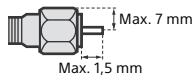


Volitelné zařízení

- Volitelná zařízení nebo jiná zařízení vysílající elektromagnetické záření neinstalujte příliš blízko televizoru. Jinak by mohlo dojít ke zkreslení obrazu anebo šumu.
- Tento produkt byl testován a shledán vhodným limitům stanoveným direktivou EMC pro použití přípojevacích kabelů kratších než 3 metry.

Doporučení pro zásuvku typu „F“

Přesah vnitřního drátu v přípojce musí být méně než 1,5 mm.



(Referenční ilustrace pro zásuvku typu F)

Bezdrátová funkce jednotky

- Nepoužívejte toto zařízení v blízkosti lékařských přístrojů (kardiostimulátorů apod.), jinak by lékařský přístroj nemusel fungovat správně.
- I když tato jednotka vysílá/přijímá zakódované signály, buďte opatrní na neautorizovaný příjem. Za výsledné problémy neneseme zodpovědnost.

Upozornění na manipulaci s dálkovým ovladačem

- Při vkládání baterií dodržte správnou polaritu.
- Nepoužívejte různé typy baterií, ani nemíchejte současně staré a nové baterie.
- Baterie likvidujte způsobem, který chrání životní prostředí. V některých oblastech je nutné likvidovat baterie podle předpisů. Informujte se prosím u příslušných úřadů.
- S dálkovým ovladačem zacházejte opatrně. Nepouštějte ho na zem, nešlepte po něm, ani na něj nestříkejte žádnou tekutinu.
- Neukládejte dálkový ovladač na místo v blízkosti tepelných zdrojů, nebo na místo vystavené působení přímého slunečního svitu, nebo do vlhké místnosti.

Likvidace televizoru



Likvidace nepotřebného elektrického a elektronického zařízení (platné v Evropské unii a dalších evropských státech uplatňujících oddělený systém sběru)

Tento symbol umístěný na výrobku nebo jeho balení upozorňuje, že by s výrobkem po ukončení jeho životnosti nemělo být nakládáno jako s běžným odpadem z domácnosti. Je nutné ho odvézt do sběrného místa pro recyklaci elektrického a elektronického zařízení. Zajištěním správné likvidace tohoto výrobku pomůžete zabránit případným negativním dopadům na životní prostředí a lidské zdraví, které by jinak byly způsobeny nevhodnou likvidací výrobku. Recyklováním materiálů, z nichž je vyroben, pomůžete ochránit přírodní zdroje. Podrobnější informace o recyklaci tohoto výrobku zjistíte u příslušného místního obecního úřadu, podniku pro likvidaci domovních odpadů nebo v obchodě, kde jste výrobek zakoupili.

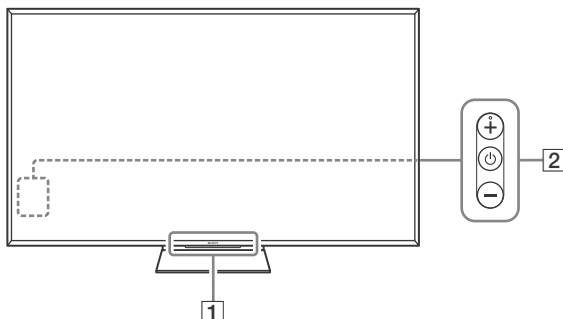


Nakládání s nepotřebnými bateriemi (platí v Evropské unii a dalších evropských státech využívajících systém odděleného sběru)

Tento symbol umístěný na baterii nebo na jejím obalu upozorňuje, že s baterií opatřenou tímto označením by se nemělo nakládat jako s běžným domácím odpadem. Symbol nacházející se na určitých typech baterií může být použit v kombinaci s chemickou značkou. Značky pro rtuť (Hg) nebo olovo (Pb) se použijí, pokud baterie obsahuje více než 0,0005 % rtuti nebo 0,004 % olova. Správným nakládáním s těmito nepotřebnými bateriemi pomůžete zabránit možným negativním dopadům na životní prostředí a lidské zdraví, k nimž by mohlo docházet v případech nevhodného zacházení s vyřazenými bateriemi. Materiálová recyklace pomůže chránit přírodní zdroje. V případě, že výrobek z důvodů bezpečnosti, funkce nebo uchování dat vyžaduje trvalé spojení s vloženou baterií, je třeba, aby takovou baterii vyjmul z přístroje pouze kvalifikovaný personál. K tomu, aby s baterií bylo správně naloženo, předejte výrobek, který je na konci své životnosti na místo, jenž je určeno ke sběru elektrických a elektronických zařízení za účelem jejich recyklace. Pokud jde o ostatní baterie, prosím, nahlédněte do té části návodu k obsluze, která popisuje bezpečné vyjmutí baterie z výrobku. Nepotřebnou baterii odevzdejte k recyklaci na příslušné sběrné místo. Pro podrobnější informace o recyklaci tohoto výrobku či baterii kontaktujte, prosím, místní obecní úřad, podnik zabezpečující místní odpadové hospodářství nebo prodejnu, kde jste výrobek zakoupili.

Součásti a ovládací prvky

Ovládací prvky a kontrolky



1 Čidlo dálkového ovládnání*1 / Světelné čidlo*1 / Osvětlení LED / 3D synchronizační vysílač*1*2

Osvětlení LED svítí nebo bliká podle stavu TV.

- Bílá
Při zapnutí televizoru/režimu vypnutého obrazu/aktualizaci softwaru atd.
- Azurová
Při bezdrátovém připojení k mobilnímu zařízení.
- Růžová*2
Režim nahrávání.
- Jantarová
Je nastaven časovač.

2 ⏻ (Napájení) / + / -

Při vypnuté TV,
stisknutím ⏻ zapněte.

Při zapnuté TV,
dlouhým stisknutím ⏻ vypněte.
Stiskněte tlačítko ⏻ opakovaně pro změnu funkce, poté stiskněte tlačítko + nebo - pro:

- Nastavení hlasitosti
- Výběr kanálu
- Výběr zdroje vstupu TV

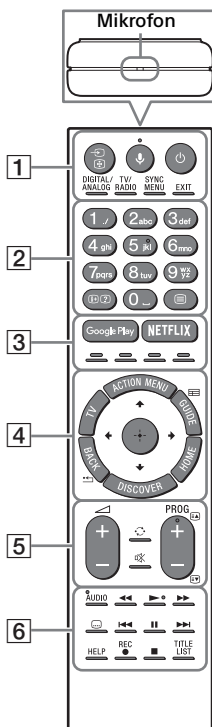
*1 Do blízkosti čidla neumístujte žádné předměty.

*2 Pouze pro některé oblasti/země/modely televizoru.

Používání dálkového ovládání

Popis součástí dálkového ovládání

Tvar, umístění, dostupnost a funkce tlačítek dálkového ovladače se může lišit v závislosti na zemi, oblasti nebo modelu televizoru.



1 (Volba vstupu/přidržení textu)

V režimu TV: Zobrazte a zvolte vstupní zdroj.
V textovém režimu: Přidržte aktuální stránku.

(Mikrofon)

Používání hlasové funkce. (např. vyhledávání různého obsahu pomocí hlasu.)

(Pohotovostní režim TV)

TV zapnete nebo vypnete (pohotovostní režim).

DIGITAL/ANALOG

Přepínejte mezi digitálním a analogovým režimem.

TV/RADIO

Přepínejte mezi vysíláním TV a RADIO.

SYNC MENU

Zobrazte nabídku BRAVIA Sync.

EXIT

Návrat na předchozí obrazovku nebo ukončení nabídky. Když je k dispozici služba interaktivní aplikace, stisknutím službu ukončíte.

2 Číselná tlačítka

/? (Informace/Odhalení textu)

Zobrazte informace.

(Text)

Zobrazte textové informace.

3 Google Play

Přístup k online službě „Google Play“.

NETFLIX (Pouze v některých regionech, zemích/TV modelech)

Otevřete online službu „NETFLIX“.

Barevná tlačítka

Vykonejte příslušnou funkci platnou v daný okamžik.

4 ACTION MENU

Zobrazí seznam kontextových funkcí.

TV

- Přepnutí na kanál TV nebo na vstup z jiných aplikací.
- Zapněte televizor pro zobrazení kanálu TV nebo vstupu.

GUIDE

Zobrazte digitálního průvodce programy.

BACK

Návrat na předchozí obrazovku.

HOME

Zobrazte výchozí nabídku TV.

DISCOVER

Vyvolejte obsahovou lištu pro vyhledávání obsahu.

/⊕ (Výběr položky/Zadání)

5 +/- (Hlasitost)

Upravte hlasitost.

(Skok)

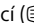
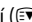
Přeskakujte mezi dvěma kanály nebo vstupy. TV střídavě přepíná mezi aktuálním kanálem nebo vstupem a posledním zvoleným kanálem nebo vstupem.

(Ztlumení)

Ztlumte zvuk. Dalším stisknutím bude zvuk obnoven.

PROG +/- /

V režimu TV: Zvolte kanál.

V textovém režimu: Zvolte následující () nebo předchozí () stránku.

6 **AUDIO**

Změňte jazyk pro právě sledovaný program.

(Nastavení titulků)

Zapněte nebo vypněte titulky (pokud je funkce k dispozici).

Ovládejte mediální obsah na TV a na připojeném zařízení kompatibilním s funkcí BRAVIA Sync.

HELP

Zobrazte nabídku nápovědy. Přístup k Uživatelské příručce.

REC

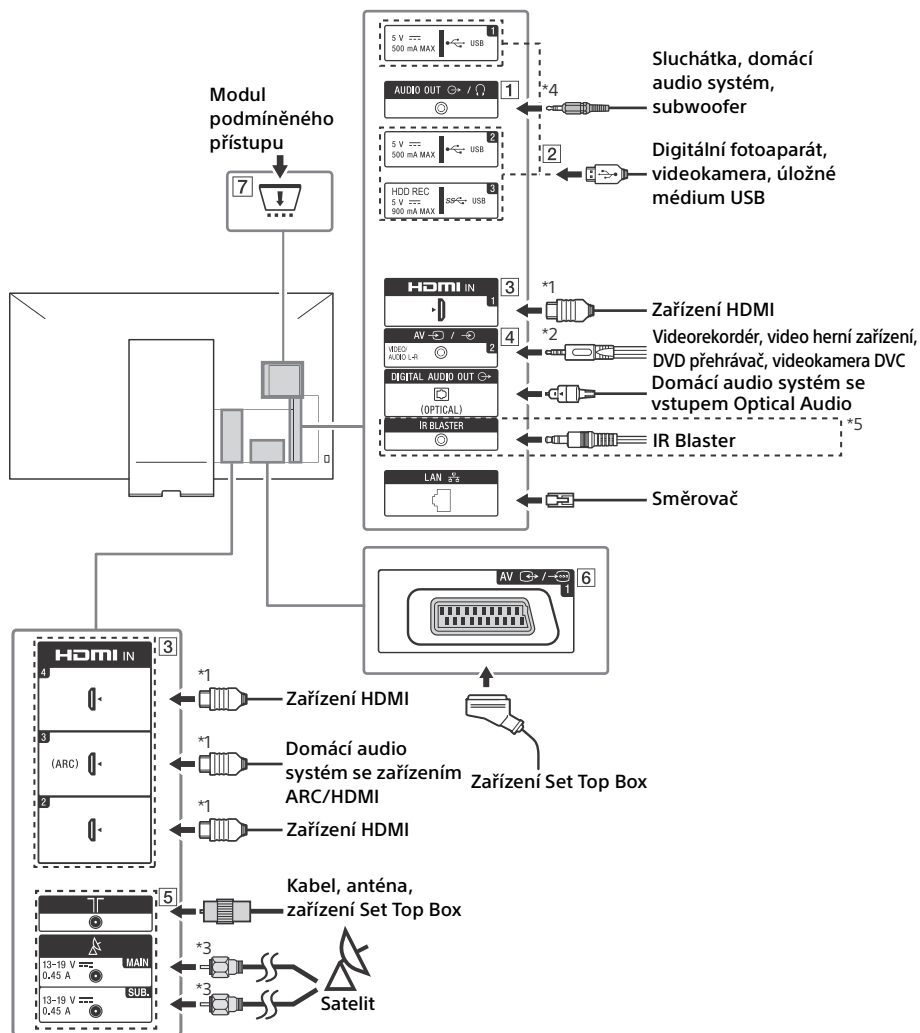
Nahrajte aktuální program pomocí funkce nahrávání na USB HDD.

TITLE LIST

Zobrazte název titulů.

Schéma zapojení

Více informací o připojeních naleznete v dokumentu Uživatelská příručka (strana 2).



1 AUDIO OUT *4

- Chcete-li poslouchat zvuk TV prostřednictvím připojeného příslušenství, stiskněte tlačítko **HOME**. Zvolte [Nastavení] → [Zvuk] → [Výstup pro sluchátka/Audio výstup], potom zvolte požadovanou položku.

2 **USB 1/2**, **USB 3 (HDD REC)*5**

- Při připojení velkého zařízení USB může toto zařízení překážet ostatním připojeným zařízením vedle něj.
- Při připojování velkého zařízení USB toto zařízení připojte ke konektoru USB 1.

3 HDMI IN 1/2/3/4

- Pokud připojujete digitální audio systém, který je kompatibilní s technologií Audio Return Channel (ARC), použijte HDMI IN 3. Pokud ne, je nezbytné další propojení pomocí optického kabelu DIGITAL AUDIO OUT (OPTICAL).

4 **AV 2**

- U kompozitního připojení použijte dodaný analogový prodlužovací kabel*5.

5 **(Vstup RF)**, **(Satelitní vstup)**

- Připojení pro pozemní/kabelové vysílání a satelit. Připojte postupně: MAIN → Antenna → SUB.
- Konektor jack SUB. připojte pouze tehdy, když využíváte režim dvou tunerů, s výjimkou rozvodu jediným kabelem podle EN50494.

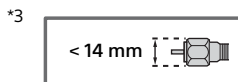
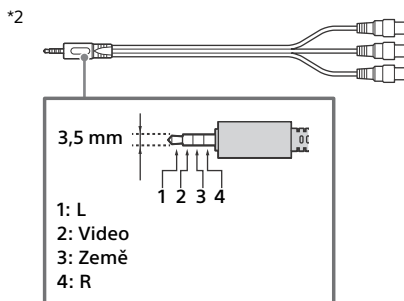
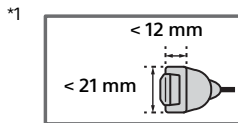
6 **AV 1**

- Připojte pomocí kabelu SCART. Když připojíte analogový dekodér, tuner TV vysílá do dekodéru zakódovaný signál a dekodér tento signál před odesláním dekóduje.

7 **CAM (Modul podmíněného přístupu)**

- Poskytuje přístup k placeným TV službám. Další podrobnosti najdete v uživatelské příručce dodané s modulem CAM.
- Nevkládejte smart kartu přímo do slotu CAM vašeho TV. Karta musí být vložena do modulu podmíněného přístupu dodaného autorizovaným prodejcem.
- CAM není v některých zemích/oblastech podporován. Dostupnost ověřte u autorizovaného prodejce.

- Když po používání internetového videa přepnete na digitální program, může se zobrazit zpráva CAM.



*4 Podporuje pouze 3 pólový stereo mini jack konektor.

*5 Pouze pro některé oblasti/země/modely televizoru.

Montáž televizoru na zeď

Tento návod k použití televizoru popisuje pouze kroky přípravy montáže televizoru před její samotnou montáží na zeď.

Pro zákazníky:

Společnost Sony za účelem ochrany produktu a z důvodů bezpečnosti důrazně doporučuje, aby instalaci televizoru provedl prodejce Sony nebo autorizovaný dodavatel. Nepokoušejte se o jeho instalaci sami.

Pro prodejce a dodavatele Sony:

Během instalace, pravidelné údržby a prohlídek výrobku důsledně dbejte na bezpečnost.

Instalace tohoto produktu vyžaduje dostatečné zkušenosti, zejména pak pro posouzení, zda zeď unese váhu televizoru. Připevnění tohoto produktu na zeď byste měli svěřit prodejcům Sony nebo autorizovaným dodavatelům a během instalace věnovat patřičnou pozornost bezpečnosti. Společnost Sony nenese žádnou odpovědnost za poškození nebo zranění způsobené nesprávnou manipulací nebo instalací.

K montáži TV na zeď použijte nástěnný držák SU-WL450 (není součástí dodávky) (KD-65ZD9).

Při montáži nástěnného držáku také nahlédněte do Návodu k použití a do Instalační příručky dodané s nástěnným držákem.

Poznámka

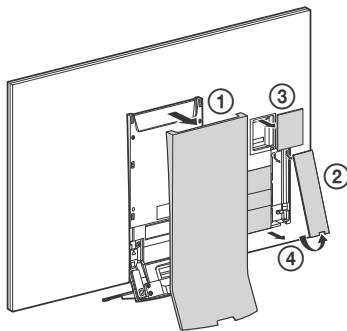
- Vyšroubované šrouby uschovejte na bezpečném místě mimo dosah dětí.



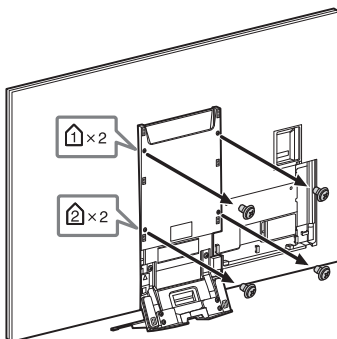
Pokyny pro montáž vašeho modelu televizoru na nástěnný držák najdete na této webové adrese:
www.sony.eu/tv/wall-mount-bracket-manual

Pouze modely KD-65ZD9

1 Sejměte boční, vnitřní, horní a střední kryt.



2 Odšroubujte šrouby na zadní straně TV.



CZ

Pouze modely KD-75ZD9

Televizor lze po jeho vybalení z krabice připevnit k nástěnnému držáku (není součástí dodávky) bez jakýchkoli úprav.

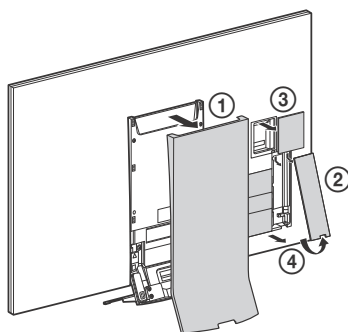
Připevněte televizor k nástěnnému držáku před tím, než zapojíte kabely.

Společnost Sony důrazně doporučuje, aby s ohledem na ochranu produktu a z bezpečnostních důvodů montáž televizoru na zeď prováděli kvalifikovaní profesionálové. Nepokoušejte se provádět montáž sami.

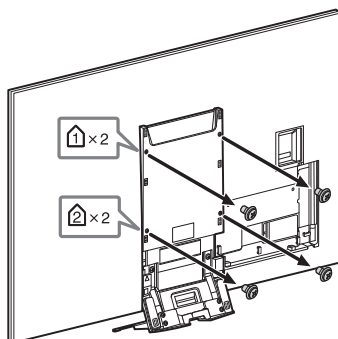
- Řiďte se pokyny dodanými s nástěnným držákem pro váš model. Pro montáž tohoto televizoru jsou zapotřebí dostatečné zkušenosti, zejména pak pro určení nosnosti zdi, zda bezpečně unese hmotnost televizoru.
- Ujistěte se, že nepoužité šrouby a stolní stojan uchováte na bezpečném místě, než budete připraveni k připojení stolního stojanu. Uchovávejte šrouby mimo dosah malých dětí.

Pouze modely KD-75ZD9

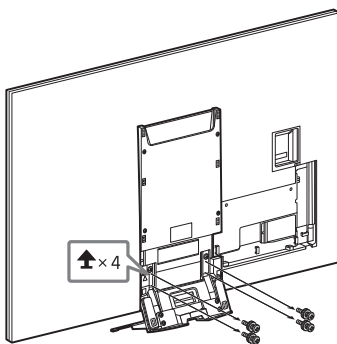
- 1 Sejměte boční, vnitřní, horní a střední kryt.



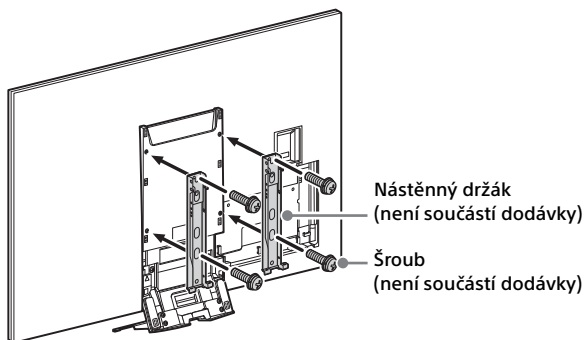
- 2 Odšroubujte šrouby na zadní straně TV.



3 Odpojte stolní stojan od TV.



4 Upevněte nástěnný držák (není součástí dodávky) šrouby (nejsou součástí dodávky).

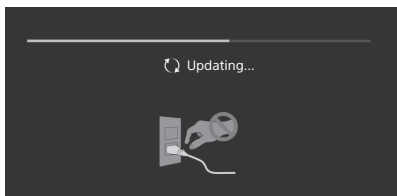


Poznámka

- Používáte-li elektrický šroubovák, nastavte utahovací moment přibližně na 1,5 N·m {15 kgf·cm}.

Řešení problémů

Abyste software svého TV udržovali aktuální, je nezbytné stáhnout nejnovější softwarové informace prostřednictvím systému digitálního vysílání nebo internetu a aktualizovat software. Chcete-li zahájit aktualizaci softwaru, vyberte možnost [Aktualiz. nyní]. LED kontrolka bude během aktualizace softwaru blikat bíle. Během aktualizace softwaru se objeví následující obrazovka [Updating...] (Aktualizace...).



Během aktualizace softwaru neodpojujte napájecí kabel. Pokud byste tak učinili, nemusela by být aktualizace softwaru zcela dokončena, což by mohlo způsobit poruchu softwaru. Aktualizace softwaru mohou trvat až 30 minut. Pokud nechcete aktualizovat software automaticky, stiskněte tlačítko **HOME** a zvolte možnost [Nápověda] → [Aktualizace systémového softwaru] → [Automatické stahování softwaru] → [Vyp].

Když zapojíte TV, nemusí se TV po nějakou dobu zapnout, ani když stisknete tlačítko napájení na dálkovém ovládacím nebo na TV, protože inicializace systému nějakou dobu trvá. Počkejte přibližně jednu minutu, potom to zkuste znovu. Když televizor zapnete stisknutím tlačítka napájení na dálkovém ovládacím nebo na TV, bude nějakou dobu trvat, než se kontrolka LED rozsvítí a než začne dálkové ovládání fungovat.

Když bliká osvětlení LED červeně, spočítejte, kolikrát zabliká (časový interval je tři sekundy).


Pokud LED kontrolka bliká červeně, resetujte televizor odpojením od zdroje napájení po dobu dvou minut, potom televizor zapněte. Pokud problém přetrvává, obraťte se na svého prodejce nebo na servisní středisko Sony a uveďte, kolikrát Osvětlení LED červeně bliká (interval je tři sekundy). Odpojte napájecí kabel a informujte svého prodejce nebo servisní centrum Sony.

Když osvětlení LED neblíká, zkontrolujte následující položky v tabulkách.

Můžete také nahlédnout do části Řešení problémů v Uživatelské příručce nebo provést vlastní diagnostiku zvolením [Nápověda] → [Diagnostika]. Pokud bude problém přetrvávat, nechte televizor opravit kvalifikovanými pracovníky servisu.

Problémy a řešení

Žádný obraz (tmavá obrazovka) a žádný zvuk.

- Zkontrolujte anténní/kabelové připojení.
- Připojte TV ke zdroji napájení a stiskněte  na TV nebo na dálkovém ovládacím.

Některé programy nelze naladit.

- Zkontrolujte anténní/kabelové připojení.
- Satelitní kabel může být zkratován, nebo mohou být závady v připojení kabelu. Prosím vypněte televizor pomocí síťového vypínače Zap/Vyp, zkontrolujte kabel i připojení a pak TV znovu zapněte.
- Zadaný kmitočet je mimo rozsah. Poradte se prosím s poskytovatelem vašeho satelitního vysílání.

Nebyly nalezeny žádné služby (programy) kabelové televize.

- Zkontrolujte připojení kabelu nebo konfiguraci ladění.
- Zkuste spustit [Digitální automatické ladění] zvolením možnosti [Pozemní] namísto možnosti [Kabelové].

Dálkové ovládání nefunguje.

- Vyměňte baterie.

Zapomněli jste heslo funkce [Rodičovský zámek (vysílání)].


- Zadejte PIN kód 9999. Aktualizujte PIN kód výběrem [Nastavení] → [Rodičovský zámek (vysílání)] → [Změnit kód PIN].

Panel televizoru se zahřívá.

- Když je televizor používán delší dobu, panel se zahřeje.
Na dotek může být horký.

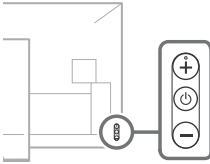
Pokud je TV zablokováno, je prázdná obrazovka nebo nereaguje na tlačítka na TV nebo dálkovém ovládacím.

- Proveďte jednoduchý restart televizoru odpojením napájecího síťového šňůry na dobu dvou minut a pak ji znovu zapojte.

Na televizoru nelze najít tlačítka , + a -.

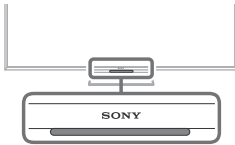
- Umístění tlačítek na televizoru je uvedeno na obrázku níže.

Zadní část televizoru



Je zapnuto osvětlení LED.


- Pokud nechcete, aby se rozsvěcelo osvětlení LED, můžete ho vypnout.
Stiskněte **HOME**, potom zvolte [Nastavení] → [Osvětlení LED] → [Vyp].



Připojení k bezdrátovému routeru prostřednictvím WPS (Wi-Fi Protected Setup) není možné.

- Pokud používáte zabezpečení WEP, zvolte [Jednoduchý] → [Wi-Fi] → [Připojit pomocí seznamu sítí]. Potom zvolte název sítě (SSID), ke které se chcete připojit.

V síťovém nastavení nelze najít název požadované sítě.

- Zvolte [[Ruční zadání]] a stisknutím tlačítka  zadejte název sítě.

Specifikace

Systém

Typ panelu

Panel LCD (displej s kapalnými krystaly),
Podsvícení LED

Televizní systém

V závislosti na oblasti, zemi nebo modelu
televizoru

Analogové: B/G, D/K, L, I

Digitální: DVB-T/DVB-C
DVB-T2*

Satelit*: DVB-S/DVB-S2

Systém barev

PAL, SECAM, NTSC3.58 (Pouze video), NTSC4.43
(Pouze video)

Výběr kanálů

V závislosti na oblasti, zemi nebo modelu
televizoru

Analogové: UHF/VHF/kabelové

Digitální: UHF/VHF/kabelové

Satelit*: mezifrekvenční kmitočet 950-2 150 MHz

Zvukový výstup

10 W + 10 W

Bezdrátová technologie

Protokol IEEE802.11ac/a/b/g/n

(IEEE802.11ac nemusí být k dispozici v závislosti na
zemích/oblastech.)

Verze Bluetooth 4.1

* Všechny televizory nemají technologii DVB-T2 nebo
DVB-S/S2 nebo terminál pro satelitní anténu.

Vstupní/Výstupní konektory jack

Anténa/kabel

75 ohmová externí zásuvka pro VHF/UHF



Satelitní anténa

Konektor typ F (zásuvka), 75 ohmová.

DiSEqC 1.0, LNB 13 V/18 V a tón 22 kHz, Rozvod
jediným kabelem EN50494.

 /  AV 1

21 pinový konektor typu scart (standard CENELEC)
včetně audio/video vstupu, vstupu RGB a
televizního audio/video výstupu.

 /  AV 2

Video/audio vstup (mini-konektor jack)

HDMI IN 1, 2, 3, 4 (podpora rozlišení 4K,
Kompatibilní s HDCP 2.2)

Video (2D):

4096 × 2160p (50, 60 Hz)*¹, *², 4096 × 2160p
(24 Hz)*¹, 3840 × 2160p (50, 60 Hz)*²,
3840 × 2160p (24, 25, 30 Hz), 1080p (30, 50,
60 Hz), 1080/24p, 1080i (50, 60 Hz), 720p (30,
50, 60 Hz), 720/24p, 576p, 576i, 480p, 480i,
PC formáty

*¹ Při vstupu 4096 × 2160p se zobrazí 3840 × 2160p

*² Pouze HDMI IN 2 / 3.

Video (3D) (Pouze modely kompatibilní s 3D):

Frame Packing: 1080p (30Hz), 1080/24p, 1080i
(50, 60Hz), 720p (30, 50, 60Hz), 720/24p

Vedle sebe: 1080p (50, 60Hz), 1080/24p, 1080i
(50, 60Hz), 720p (50, 60Hz)

Nad/pod: 1080p (30, 50, 60Hz), 1080/24p, 1080i
(50, 60Hz), 720p (50, 60Hz)

Audio: 5,1 kanálové lineární PCM: 32, 44,1, 48,
88,2, 96, 176,4 a 192 kHz, 16, 20 a 24 bitů, Dolby
Digital, Dolby Digital Plus a DTS
ARC (Audio Return Channel) (pouze port HDMI IN
3)

(dvoukanálový lineární PCM, Dolby Digital, Dolby
Digital Plus, DTS)

Ⓞ DIGITAL AUDIO OUT (OPTICAL)

Digitální optický konektor jack (dvoukanálový
lineární PCM, Dolby Digital, DTS)

AUDIO OUT Ⓞ / Ⓞ (stereofonní mini konektor)

Sluchátka, audio výstup, subwoofer

• ← 1, • ← 2, **SS** ← 3 (HDD REC)*¹

Port pro USB zařízení (**SS** ← 3 USB HDD zařízení
pro funkci nahrávání)

USB porty 1 a 2 podporují vysokorychlostní USB
(USB 2.0).

USB port 3 podporuje super rychlé USB (USB 3.0).



Slot CAM (modul podmíněného přístupu)



Konektor 10BASE-T/100BASE-TX (V závislosti na
operačním prostředí sítě se rychlost připojení
může lišit. Komunikační rychlost a kvalita
komunikace 10BASE-T/100BASE-TX není pro tento
televizor zaručena.)

IR BLASTER *¹

Vstup pro kabel IR Blaster (mini jack konektor)

Ostatní

Volitelné příslušenství

Nástěnný držák: SU-WL450

(Pouze modely KD-65ZD9)

Bezdrátový subwoofer: SWF-BR100

Aktivní 3D brýle: TDG-BT500A



Provozní teplota

0 °C – 40 °C

Provozní vlhkost

Relativní vlhkost 10 % - 80 % (nekondenzující)

Napájení, specifikace produktu a další

Požadavky na napájení

Napájecí napětí: 220 V - 240 V AC, 50 Hz

Třída energetické účinnosti

KD-75ZD9: B

KD-65ZD9: B

Velikost obrazovky (úhlopříčka) (přibl.)

KD-75ZD9: 189,3 cm / 75 palců

KD-65ZD9: 163,9 cm / 65 palců

Spotřeba energie

v režimu [Standardní]

KD-75ZD9: 259 W

KD-65ZD9: 210 W

v režimu [Živý]

KD-75ZD9: 453 W

KD-65ZD9: 347 W

Průměrná roční spotřeba energie*²

KD-75ZD9: 359 kWh

KD-65ZD9: 291 kWh

Spotřeba energie v pohotovostním režimu*^{3*4}

0,50 W (27 W v režimu aktualizace softwaru/EPG)

Rozlišení obrazu

3 840 bodů (vodorovně) × 2 160 řádků (svisle)

Vlastnosti výstupu

USB 1/2: 5 V, ---, MAX. 500 mA

USB 3: 5 V, ---, MAX. 900 mA

Rozměry (přibl.) (š × v × h)

se stolním stojanem

KD-75ZD9: 168,4 × 104,7 × 27,8 cm

KD-65ZD9: 146,2 × 92,0 × 26,8 cm

bez stolního stojanu

KD-75ZD9: 168,4 × 97,3 × 7,8 cm

KD-65ZD9: 146,2 × 84,7 × 7,8 cm

Hmotnost (přibl.)

se stolním stojanem

KD-75ZD9: 45,1 kg

KD-65ZD9: 35,7 kg

bez stolního stojanu

KD-75ZD9: 41,3 kg

KD-65ZD9: 32 kg

*1 Pouze pro některé oblasti/země/modely televizoru.

*2 Spotřeba energie za rok spočítaná na základě spotřeby televizoru zapnutého 4 hodiny denně po 365 dní. Skutečná spotřeba energie závisí na způsobu používání televizoru.

*3 Specifikovaná spotřeba energie v pohotovostním režimu je dosažena po dokončení nezbytných vnitřních procesů televizoru.

*4 Spotřeba elektrické energie v pohotovostním režimu se zvyšší, pokud je televizor připojen k síti.

Poznámka


- Náhražku karty ze slotu CAM (modul podmíněného přístupu) televizoru vyjměte pouze tehdy, chcete-li do slotu CAM vložit CAM modul se zasunutou kartou Smart.
- Dostupnost volitelného příslušenství závisí na zemi/oblasti/modelu televizoru/zásobách na skladě.
- Vzhled a specifikace se mohou změnit bez předchozího upozornění.

Poznámky k funkcím digitální televize

- Všechny funkce související s digitálními televizí (DVB) budou fungovat pouze v zemích nebo oblastech, ve kterých jsou šířeny signály digitálního pozemního vysílání DVB-T/DVB-T2 (MPEG-2 a H.264/MPEG-4 AVC), nebo kde je přístup ke kompatibilní kabelové službě DVB-C (MPEG-2 a H.264/MPEG-4 AVC). Ověřte si laskavě u svého místního prodejce, zda v místě, kde žijete, lze přijímat signál DVB-T/DVB-T2, nebo se zeptejte svého poskytovatele kabelového vysílání, zda je jeho kabelová služba DVB-C vhodná k použití s tímto televizorem.
- Poskytovatel kabelového vysílání může za takové služby vyžadovat dodatečné poplatky nebo souhlas se svými smluvními podmínkami.
- Přestože televizor splňuje specifikace DVB-T/DVB-T2 a DVB-C, nelze zaručit kompatibilitu s budoucím pozemním DVB-T/DVB-T2 a kabelovým DVB-C digitálním vysíláním.
- Některé funkce digitální televize nemusí být v některých zemích/oblastech k dispozici a kabelový režim DVB-C nemusí s některými poskytovateli fungovat správně.

Informace o obchodních značkách

- Výrazy HDMI a HDMI High-Definition Multimedia Interface a logo HDMI jsou ochranné známky nebo registrované ochranné známky společnosti HDMI Licensing LLC ve Spojených státech a jiných zemích.
- Vyrobeno na základě licence poskytnuté společností Dolby Laboratories. Dolby, Dolby Audio a symbol dvojitého D jsou ochranné známky společnosti Dolby Laboratories.
- „BRAVIA“ a BRAVIA jsou obchodní značky Sony Corporation.
- Gracenote, Gracenote eyeQ, Gracenote VideoID, Gracenote Video Explore, logo a ligatura Gracenote a logo „Powered by Gracenote“ jsou buď registrované obchodní známky nebo obchodní známky společnosti Gracenote ve Spojených státech a/nebo jiných zemích.
- Opera® Devices SDK from Opera Software ASA. Copyright 1995-2015 Opera Software ASA. All rights reserved.
- Wi-Fi, Wi-Fi Direct, Miracast, Wi-Fi Protected Setup a logo Wi-Fi CERTIFIED jsou obchodní značky nebo registrované ochranné známky sdružení Wi-Fi Alliance.
- Informace o patentech DTS naleznete na stránce <http://patents.dts.com>. Vyrobeno na základě licence od společnosti DTS, Inc. DTS, symbol a DTS spolu se symbolem jsou registrované obchodní známky společnosti DTS, Inc. © DTS, Inc. Všechna práva vyhrazena.
- QuickSet a logo QuickSet jsou ochranné známky společnosti Universal Electronics Inc. Portions © UEI 2000-2015
- Slovní značka a logo Bluetooth® jsou registrované ochranné známky ve vlastnictví společnosti Bluetooth SIG, Inc. a jakékoliv využívání těchto značek společností Sony Corporation podléhá licenci. Ostatní obchodní značky a obchodní názvy jsou majetkem příslušných vlastníků.

- DiSEqC™ je ochranná známka společnosti EUTELSAT.
Tento televizor podporuje DiSEqC 1.0. Tento televizor není určen k ovládání antén s motorovým pohonem.
- TUXERA je registrovaná ochranná známka společnosti Tuxera Inc. v USA a v dalších zemích.
- Logo USB-IF SuperSpeed USB Trident je registrovaná ochranná známka společnosti USB Implementers Forum, Inc. ®

Obsah

DÔLEŽITÉ UPOZORNENIE	2
Informácie o bezpečnosti	3
Preventívne pokyny	5
Súčasti a ovládacie prvky	7
Ovládacie prvky a indikátory	7
Používanie diaľkového ovládača	8
Opis ovládacích prvkov diaľkového ovládača	8
Schéma zapojenia	10
Montáž TV prijímača na stenu	12
Len KD-75ZD9	14
Riešenie problémov	16
Problémy a riešenia	16
Technické parametre	17

Úvod

Ďakujeme vám, že ste si vybrali tento výrobok značky Sony. Pred uvedením tohto televízneho prijímača do činnosti si pozorne prečítajte tento návod a odložte si ho pre prípad budúcej potreby.

Poznámka

- Pred uvedením tohto televízneho prijímača do činnosti si prečítajte „Informácie o bezpečnosti“ (strana 3).
- Obrázky a ilustrácie použité v Sprievodcovi nastavením a v tomto návode slúžia len na referenčné účely a môžu sa líšiť od samotného produktu.

Umiestnenie Sprievodcu nastavením

Sprievodca nastavením sa nachádza na ochranej výplni vnútri kartónu s televíznym prijímačom.

Príručka

Funkcia Pomocníka ponúka množstvo informácií o televízore. Ak chcete použiť funkciu Pomocníka, stlačte na diaľkovom ovládaní tlačidlo **HELP**. Informácie a spôsoby riešenia problémov môžete vyhľadávať v zozname, prípadne hlasovým pokynom alebo hľadáním textu. Vyberte položku [Príručka] v ponuke Pomocník, čím zobrazíte návod. Ak pripojíte TV k internetu, funkcia Pomocníka a informácie sa aktualizujú.

Umiestnenie identifikačného štítku

Štítky s číslom modelu, dátumom výroby (rok/mesiac) a s údajmi o napájacom zdroji sa nachádzajú na zadnej časti TV prijímača alebo na balení. Nájdete ich po demontovaní stredového krytu.

VÝSTRAHA

SVIEČKY A INÝ

OTVORENÝ PLAMEŇ

DRŽTE VŽDY V DOSTATOČNEJ VZDIALENOSTI OD TOHTO VÝROBKU, ABY STE PREDIŠLI ŠÍRENÍU OHŇA.



DÔLEŽITÉ UPOZORNENIE

Tento výrobok je vyrobený priamo alebo v mene Sony Corporation, 1-7-1 Konan Minato-ku, Tokyo, 108-0075 Japonsko. Otázky či výrobok vyhovuje požiadavkám podľa legislatívy Európskej únie treba adresovať na autorizovaného zástupcu Sony Belgium, bijkantor van Sony Europe Limited, Da Vincilaan 7-D1, 1935 Zaventem, Belgicko. V akýchkoľvek servisných alebo záručných záležitostiach prosím kontaktujte adresy uvedené v separátnych servisných alebo záručných dokumentoch.

Poznámka k bezdrôtovému signálu



Spoločnosť Sony Corporation týmto vyhlasuje, že toto zariadenie spĺňa základné požiadavky a všetky príslušné ustanovenia Smernice 1999/5/ES.

Podrobnosti získate na nasledovnej webovej adrese:
<http://www.compliance.sony.de/>

Poznámka pre spotrebiteľov: nasledujúce informácie sa vzťahujú iba na zariadenie predávané v krajinách, v ktorých platia smernice EÚ.

Bezdrôtový systém môžete používať iba v týchto krajinách:

AT, BE, HR, CY, CZ, DK, EE, FI, FR, DE, GR, HU, IE, IT, LV, LT, LU, MT, NL, PL, PT, SK, SI, ES, SE, GB, IS, LI, NO, CH, BG, RO, TR, AL, BA, MK, MD, RS, ME, Kosovo

Toto zariadenie môžete používať v krajinách mimo Európsku úniu.

Informácie o bezpečnosti

VAROVANIE

Batérie nesmú byť vystavené nadmernému teplu, napríklad slnečnému svetlu, ohňu a podobne. Televízny prijímač nikdy neumiestňujte na nestabilné miesto. Televízny prijímač môže spadnúť a spôsobiť zranenie alebo smrť. Mnohým zraneniam, najmä u detí, sa dá zabrániť uplatnením jednoduchých opatrení, napríklad:

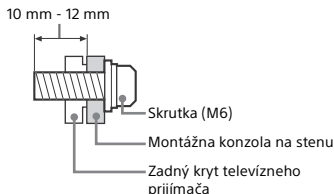
- Používať skrinky alebo stoličky odporúčané výrobcom televízneho prijímača.
 - Používať len taký nábytok, na ktorom môže televízny prijímač bezpečne stáť.
 - Zabezpečiť, aby televízny prijímač neprečnieval cez okraj nábytku, na ktorom stojí.
 - Nedávať televízny prijímač na vysoký nábytok (napríklad na príborník či knižnicu) bez ukotvenia nábytku aj televízneho prijímača k vhodnej podpore.
 - Nedávať televízny prijímač na látku či iné materiály, ktoré môžu byť medzi televízny prijímačom a nábytkom.
 - Poučiť deti o nebezpečenstvách šplhania sa po nábytku pri dosahovaní na televízny prijímač alebo jeho ovládacie prvky.
- Ak si ponechávate a premiestnite svoj pôvodný televízny prijímač, treba uplatňovať rovnaké opatrenia.

Inštalácia/Nastavenie

Televízny prijímač nainštalujte a používajte v súlade s dolu uvedenými pokynmi, aby ste predišli vzniku rizika požiaru, úderu elektrického prúdu, poškodeniam alebo úrazom.

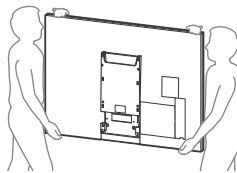
Inštalácia

- Televízny prijímač treba nainštalovať v blízkosti ľahko dostupnej sieťovej zásuvky.
 - Umiestnite televízny prijímač na stabilný rovný povrch, aby ste predišli jeho prevrhnutiu a zraneniu alebo poškodeniu majetku.
 - Televízny prijímač nainštalujte na miesto, odkiaľ ho nemožno stiahnuť, posunúť ani prevrhnuť.
 - Inštaláciu upevnenia na stenu môže uskutočňovať iba kvalifikovaný pracovník servisu.
 - Z bezpečnostných dôvodov rozhodne odporúčame používať príslušenstvo značky Sony, ako napr.:
Montážna konzola na stenu
– SU-WL450 (Len KD-65ZD9)
 - Na pripavenie montážnej konzoly na stenu k TV prijímaču použite skrutky dodané s montážnou konzolou na stenu. Dodané skrutky, znázornené na ilustrácii, sú merané od pripevňovacieho povrchu montážnej konzoly na stenu. Priemer a dĺžka skrutky závisia od modelu konzoly na montáž na stenu.
- Použitie iných ako dodávaných skrutiek môže mať za následok vnútorné poškodenie televízneho prijímača, alebo spôsobiť jeho pád atď.



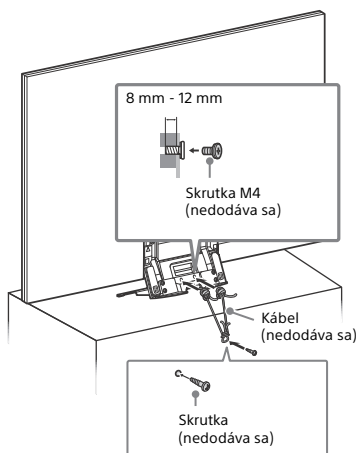
Preprava

- Pred premiestňovaním televízneho prijímača odpojte všetky káble.
- Na prenášanie veľkého televízneho prijímača sú potrební dvaja alebo traja ľudia.
- Pri prenášaní držte televízny prijímač tak, ako je to znázornené nižšie. LCD panel a rám okolo obrazovky chráňte pred zvýšeným namáhaním.



- Pri prenášaní a preprave chráňte televízny prijímač pred nárazmi alebo nadmernými vibráciami.
- Pri preprave do opravy alebo pri sťahovaní zabaľte televízny prijímač do pôvodného kartónu a baliaceho materiálu.

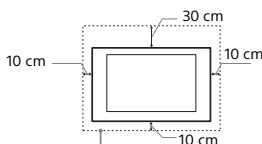
Predchádzanie prevrhnutiu



Vetracie

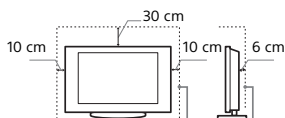
- Vetracie otvory skrinky nikdy nezakrývajte a nič dovnútra prístroja nestrkajte.
- Ponechajte voľný priestor okolo televízneho prijímača ako na ilustrácii dolu.
- Rozhodne odporúčame použiť nástenný držiak značky Sony, aby sa zaručila dostatočná cirkulácia vzduchu.

Nainštalovaný na stene



Okolo prijímača ponechajte najmenej takýto voľný priestor.

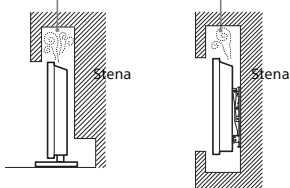
Nainštalovaný na podstavci



Okolo prijímača ponechajte najmenej takýto voľný priestor.

- Na zaručenie dostatočného vetrania a na predchádzanie usadzovaniu nečistôt alebo prachu:
 - Televízny prijímač nekladte na plochu, neinštalujte ho hlavou dolu, dozadu ani nabok.
 - Televízny prijímač nekladte na policu, koberec, posteľ ani do skrine.
 - Televízny prijímač nepokrývajte textíliami, ako sú záclony, ani predmetmi ako noviny a pod.
 - Televízny prijímač neinštalujte podľa ilustrácie dolu.

Cirkulácia vzduchu je zablokovaná.



Sieťový kábel

Pri manipulácii so sieťovým káblom a zásuvkou dodržiavajte nasledujúce zásady, aby ste predišli vzniku rizika požiaru, úderu elektrického prúdu, poškodeniam alebo úrazom:

- Používajte iba sieťové káble dodávané spoločnosťou Sony, nie od iných dodávateľov.
- Vidlicu zasunúť úplne do sieťovej zásuvky.
- Televízny prijímač pripájajte iba k sieti 220 V - 240 V striedavých.
- Pri zapájaní káblu sa pre vlastnú bezpečnosť presvedčte, že napájací kábel je odpojený. Nedotýkajte sa káblových konektorov.
- Predtým, ako budete s televíznym prijímačom pracovať alebo ho premiestňovať, odpojte napájací kábel od sieťovej zásuvky.
- Napájací kábel nepribližujte k zdrojom tepla.
- Sieťovú vidlicu odpojte a pravidelne ju čistite. Ak je vidlica zaprášená a pohlcuje vlhkosť, môže sa znehodnotiť jej izolácia, čo môže spôsobiť požiar.

Poznámka

- Dodávaný napájací kábel nepoužívajte so žiadnym iným zariadením.
- Napájací kábel príliš nestláčajte, neohýbajte ani neskrúčajte. Mohli by sa obnažiť alebo zlomiť žily kábla.
- Napájací kábel neupravujte.
- Nekladte na napájací kábel nič ťažké.
- Pri odpojení vidlice netahajte za napájací kábel.
- Nepripájajte príliš veľa spotrebičov k tej istej sieťovej zásuvke.
- Nepoužívajte uvoľnenú sieťovú zásuvku.

Zakázané použitie

Televízny prijímač neinštalujte a nepoužívajte na miestach, v prostredí alebo v situácii, uvádzaných ďalej v texte, pretože môže dôjsť k poruche televízneho prijímača a následne k požiaru, úderu elektrickým prúdom, poškodeniu a/alebo k úrazu.

Umiestnenie:

- Vonku (na priamom slnečnom svetle), na morskom pobreží, na lodi alebo inom plavidle, vo vozidle, v zdravotníckych zariadeniach, na nestabilných miestach, v blízkosti vody, na daždi, pri vlhkosti alebo dyme.

Prostredie:

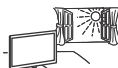
- Miesta, ktoré sú horúce, vlhké alebo nadmerne prašné; miesta kam môže preniknúť hmiz; vystavené mechanickým vibráciám, v blízkosti horľavých predmetov (sviečky a pod.). Televízny prijímač chráňte pred odstrekcujúcimi alebo kvapkajúcimi tekutinami. Nekladte na televízny prijímač žiadne predmety naplnené tekutinou, ako sú vázy a pod.

Situácie:

- Výrobca neodporúča používať s mokrymi rukami, pri odkrytom telese, prípadne s doplnkami. Počas búrkov odpojte televízny prijímač od sieťovej zásuvky a od antény.
- Televízor nainštalujte tak, aby trčil do otvoreného priestoru. Môže to spôsobiť poranenie alebo poškodenie nárazom do televízneho prijímača.



- Televízor umiestnite do vlhkého alebo prašného prostredia alebo do miestnosti s výskytom olejového dymu alebo výparov (v blízkosti kuchynských pracovných stolov alebo zvlhčovačov). Mohlo by to spôsobiť požiar, elektrický šok alebo deformácie.
- Televízor umiestnite na miesta vystavené extrémnym teplotám, ako priame slnečné žiarenie, blízko radiátorov alebo ohrievačov. Televízor sa môže v takýchto podmienkach prehriať a následne sa môže zdeformovať kryt alebo sa môže vyskytnúť porucha.



- Ak sa TV prijímač umiestni do šatne verejnej plavárne alebo termálnych prameňov, môže sa poškodiť sírou prenášanou vzduchom atď.



- Aby ste dosiahli najlepšiu kvalitu obrazu, nevystavujte obrazovku priamemu osvetleniu alebo slnečnému svetlu.
- TV prijímač neprenášajte z chladného prostredia do teplého. Náhle zmeny teploty miestnosti môžu zapríčiniť kondenzáciu vlhkosti. Výsledkom toho môže byť nekvalitný obraz a/alebo nekvalitné farby. Ak sa tak stane, pred zapnutím napájania TV prijímača nechajte vlhkosť celkom vypariť.

Rozbité kúsky:

- Do televízneho prijímača nič nehádzte. Sklo na obrazovke sa môže nárazom poškodiť a spôsobiť vážny úraz.
- Ak povrch televízneho prijímača praskne, nedotýkajte sa ho, až kým neodpojíte napájací kábel. V opačnom prípade môže dôjsť k úderu elektrického prúdu.

Ak sa prijímač nepoužíva

- Ak televízny prijímač nebudete niekoľko dní používať, odpojte ho od napájania z dôvodov ochrany životného prostredia a bezpečnosti.
- Pretože vypnutý sa televízny prijímač od siete úplne neodpojí, na úplné odpojenie televízneho prijímača je potrebné vytiahnuť vidlicu zo sieťovej zásuvky.
- Niektoré televízne prijímače môžu mať funkcie, ktoré si na správne fungovanie vyžadujú, aby bol televízny prijímač ponechaný v pohotovostnom režime.

Pre deti

- Nedovoľte, aby deti vyliezali na televízny prijímač.
- Drobné prislúšenstvo sa nesmie ponechať v dosahu deti, pretože by mohlo byť omylom prehltnuté.

Ak by sa vyskytli nasledujúce problémy...

Ak by sa vyskytol niektorý z nasledujúcich problémov, televízny prijímač **vypnite** a okamžite odpojte napájací kábel. Požadajte predajcu alebo servisné stredisko Sony, aby prijímač skontroloval odborník.

Keď:

- Napájací kábel je poškodený.
- Sieťová zásuvka je uvoľnená.
- Televízny prijímač bol poškodený pádom, úderom alebo predmetom, ktorý naň dopadol.
- Cez otvory v skrinke prenikne do prijímača tekutina alebo iný predmet.

Informácie o teplote televízneho prijímača s LCD

Keď televízny prijímač s LCD používate dlhší čas, okolité časti panela sa zahrejú. Môžete to cítiť, keď sa ho dotknete rukou.

Preventívne pokyny

Sledovanie televízneho programu

- Televízny program sledujte pri miernom osvetlení, pretože sledovanie televízneho prijímača pri slabom osvetlení alebo po dlhšiu dobu namáha vaše oči.
- Pri používaní slúchadiel si nastavte vhodnú hlasitosť, pretože príliš vysoká úroveň môže spôsobiť poškodenie sluchu.

(Iba modely kompatibilné s formátom 3D)

- Niektorým ľuďom môže byť sledovanie 3D obrazu alebo hranie stereoskopických 3D hier nepríjemné (bolenie alebo vysilenie očí, únava či nevoľnosť). Sony odporúča všetkým divákam, aby si pri sledovaní 3D obrazu alebo hraní stereoskopických 3D hier dopriali pravidelné prestávky. Dĺžka a frekvencia potrebných prestávok sa môžu líšiť u jednotlivých osôb. Sami musíte rozhodnúť, čo vám vyhovuje najviac. Ak sa stretnete s nepríjemným pocitom, prestaňte sledovať 3D obraz alebo hrať stereoskopické 3D hry, kým nepríjemný pocit nepominie; v prípade potreby sa poraďte s lekárom. Zároveň si prečítajte aktuálne informácie (i) v príručkách ostatných zariadení alebo médií používaných s týmto televízorom a (ii) na našich webových stránkach (www.sony.eu/support). Zrak malých detí (najmä vo veku do šiest rokov) sa stále vyvíja. Predtým ako povolíte malým deťom sledovať 3D obraz alebo hrať stereoskopické 3D hry sa poraďte s lekárom (napr. detským alebo očným lekárom). Dospelé osoby musia dohliadať na to, aby sa malé deti riadili vyššie uvedenými odporúčaniami.
- Nepoužívajte, neskladujte ani nenechávajte 3D okuliare alebo batériu v blízkosti ohňa, na miestach s vysokou teplotou, napr. na priamom slnečnom svetle alebo v autách vyhriatych od slnka.

Obrazovka LCD

- Hoci sa obrazovka LCD vyrába použitím vysoko presnej technológie a 99,99 % a viac pixelov je funkčných, na obrazovke LCD môžu byť trvalo čierne alebo jasné body (červené, modré alebo zelené). Ide o konštrukčnú charakteristiku obrazovky LCD a nejde o jej poruchu.
- Čelný filter sa nesmie stlačiť ani poškrabiat, na tento televízny prijímač nekladte žiadne predmety. Zobrazenie by mohlo byť nerovnomerné a mohla by sa poškodiť obrazovka LCD.
- Ak sa tento televízny prijímač používa na chladnom mieste, na zobrazení sa môžu prejavíť škvrny alebo obraz môže stmavnúť. Nie je to príznak poruchy. Po zvýšení teploty tieto javy zmiznú.
- Ak sa trvalo zobrazujú nepohyblivé zobrazenia, môžu sa prejavíť „duchovia“. Po niekoľkých okamihoch môžu zmiznúť.
- Pri používaní tohto televízneho prijímača sa obrazovka a skrinka môže zahrievať. Nie je to príznak poruchy.
- Obrazovka LCD obsahuje malé množstvo tekutých kryštálov. Pri likvidácii dodržiavajte platné nariadenia a predpisy.

Zaochádzanie s povrchom obrazovky a skrinkou televízneho prijímača a ich čistenie

Pred čistením sa presvedčte, či je odpojený napájací kábel pripájajúci televízny prijímač k sieťovej zásuvke.

Abyste predišli znehodnocovaniu materiálu alebo povrchu obrazovky, dodržiavajte nasledujúce preventívne zásady.

- Prach z povrchu obrazovky/skrinky utierajte jemne a mäkkou handričkou. Ak prach odoláva, utrite ho mäkkou handričkou jemne navlhčenou do rozriedeného roztoku neagresívneho čistiacieho prostriedku.
- Nikdy nestriekajte vodu ani čistiaci prostriedok priamo na televízor. Môže kvapkať na spodnú časť obrazovky alebo vonkajších častí a dostať sa do televízora, pričom môže spôsobiť poškodenie televízora.
- Nikdy nepoužívajte abrazívne spongie, čističe obsahujúce lúh alebo kyselinu, prášok na riad ani prchavé rozpúšťadlá ako je alkohol, benzén, riedidlo alebo insektíci. Používanie takýchto materiálov alebo dlhodobý kontakt s gumovými alebo vinylovými materiálmi môže spôsobiť poškodenie povrchu obrazovky a materiálu skrinky.
- Nedotýkajte sa televízneho prijímača, ak máte na rukách nejaké chemické látky, ako je krém na ruky alebo opalovací krém.
- Na zarúčenie dostatočného vetrania sa odporúča pravidelne povysávať vetracie otvory.
- Pri zmene uhla natočenia televízneho prijímača pohybné prijímačom pomaly, aby nespadol zo stojana a neprevrhol sa.

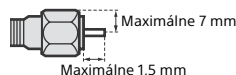


Prídavné zariadenia

- Prídavné zariadenia a všetky ostatné zariadenia vyžarujúce elektromagnetické žiarenie nepribližujte k televíznemu prijímaču. Nedodržanie tejto podmienky môže spôsobiť deformáciu zobrazenia a/alebo šum vo zvuku.
- Toto zariadenie bolo testované a je v zhode s obmedzeniami podľa smernice o elektromagnetickej kompatibilitate pri použití pripojného signálneho kábla kratšieho než 3 metre.

Odporúčanie pre konektor typu F

Dĺžka vystupujúceho vnútorného drôtu z konektora musí byť menšia ako 1,5 mm.



(Referenčný obrázok pre konektor typu F)

Funkcia bezdrôtového pripojenia jednotky

- Toto zariadenie nepoužívajte v blízkosti lekárskeho prístroja (kardiostimulátor, atď.), lebo by mohlo dôjsť k poruche lekárskeho prístroja.
- Hoci, toto zariadenie vysiela/prijíma zakódované signály, dávajte pozor na neoprávnený príjem. Nenechajte zodpovednosť za prípadné ťažkosti.

Upozornenie týkajúce sa manipulácie s diaľkovým ovládačom

- Pri vkladaní batérií dodržiavajte ich polaritu.
- Nepoužívajte rôzne druhy batérií ani staré batérie s novými.
- Batérie zneškodňujte tak, aby neznečistovali životné prostredie. V niektorých krajinách môže byť zneškodňovanie batérií regulované. Obráťte sa na miestny úrad kvôli informáciám o zneškodňovaní.
- S diaľkovým ovládačom zaochádzajte ohľaduplne. Nenechajte ho padnúť, nestúpajte naň, nepolievajte ho žiadnymi tekutinami.
- Diaľkový ovládač nesmie byť položený v blízkosti zdroja tepla, na mieste vystavenom účinkom priameho slnečného svetla, ani vo vlhkej miestnosti.

SK

Likvidácia televízneho prijímača



Likvidácia starých elektrických a elektronických prístrojov (vzťahuje sa na Európsku úniu a európske krajiny so systémami oddeleného zberu)

Tento symbol na výrobku alebo na jeho obale znamená, že výrobok nesmie byť spracovávaný ako komunálny odpad. Musí sa odovzdať do príslušnej zberne na recykláciu elektrických a elektronických zariadení. Zaručením správnej likvidácie tohto výrobku pomôžete pri predchádzaní potenciálnych negatívnych dopadov na životné prostredie a na zdravie človeka, ktoré by mohli byť zapríčinené nevhodným zaobchádzaním s odpadmi z tohto výrobku. Recyklovaním materiálov pomôžete zachovať prírodné zdroje. Podrobnejšie informácie o recyklácii tohto výrobku vám na požiadanie poskytnie miestny úrad, služba likvidácie komunálneho odpadu alebo predajňa, v ktorej ste si tento výrobok zakúpili.

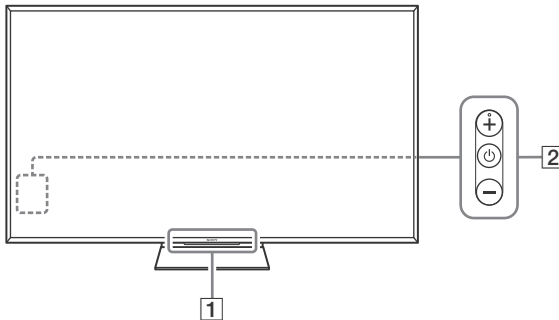


Zneškodňovanie použitých batérií (platí v Európskej únii a ostatných európskych krajinách so zavedeným separovaným zberom)

Tento symbol na batérii alebo obale znamená, že batéria dodaná s týmto výrobkom nemôže byť spracovaná s domovým odpadom. Na niektorých batériách môže byť tento symbol použitý v kombinácii s chemickými značkami. Chemické značky ortute (Hg) alebo olova (Pb) sú pridané, ak batéria obsahuje viac ako 0,0005 % ortute alebo 0,004 % olova. Tým, že zaistíte správne zneškodnenie týchto batérií, pomôžete zabrániť potenciálne negatívne vplyvu na životné prostredie a ľudské zdravie, ktorý by v opačnom prípade mohol byť spôsobený pri nesprávnom nakladaní s použitou batériou. Recyklácia materiálov pomáha uchovávať prírodné zdroje. V prípade, že výrobok, ktorý si z dôvodu bezpečnosti, výkonu alebo integrity údajov vyžaduje trvalé pripojenie zabudovanej batérie, túto batériu môže vymeniť iba kvalifikovaný personál. Aby ste zaručili, že batéria bude správne spracovaná, odovzdajte tento výrobok na konci jeho životnosti na vhodnom zbernom mieste na recykláciu elektrických a elektronických zariadení. V prípade všetkých ostatných batérií, postupujte podľa časti, ako vybrať bezpečne batériu z výrobku. Odovzdajte batériu na vhodnom zbernom mieste na recykláciu použitých batérií. Ak chcete získať podrobnejšie informácie o recyklácii tohto výrobku alebo batérie, kontaktuje váš miestny alebo obecný úrad, miestnu službu pre zber domového odpadu alebo predajňu, kde ste výrobok zakúpili.

Súčasti a ovládacie prvky

Ovládacie prvky a indikátory



1 Snímač diaľkového ovládania*1 / Svetelný snímač*1 / Indikátor LED podsvietenia / 3D Synchronizačný vysielateľ*1*2

Indikátor LED podsvietenia sa rozsvieti alebo bliká v závislosti od stavu TV prijímača.

- Biela
Pri zapnutí televízora/v režime vypnutia obrazu/počas aktualizácie softvéru atď.
- Azúrová
Pri bezdrôtovom pripojení k mobilnému zariadeniu.
- Ružová*2
Režim nahrávania.
- Oranžová
Je nastavený časovač.

2 ⏻ (Napájanie) / + / -

Keď je TV vypnutý,
zapnete stlačením tlačidla ⏻.

Keď je TV zapnutý,
stlačením a podržaním tlačidla ⏻ vypnete. Opakovaným stláčaním tlačidla ⏻ zmeníte funkciu, potom stláčaním tlačidla + alebo - môžete:

- Úprava hlasitosti
- Výber kanála
- Výber vstupného zdroja pre TV

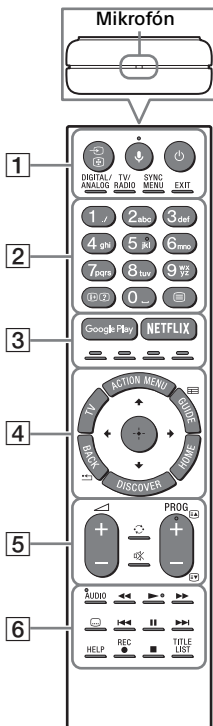
*1 Do blízkosti snímača nič neumiestňujte.

*2 Len v obmedzených oblastiach/krajinách/modeloch TV prijímačov.

Používanie diaľkového ovládača

Opis ovládacích prvkov diaľkového ovládača

Tvar diaľkového ovládača, umiestnenie, dostupnosť a funkcia tlačidla na diaľkovom ovládači sa môže líšiť v závislosti od oblasti/krajiny/modelu televízneho prijímača.



1 (Výber vstupu/Zmraziť text)

V režime TV: Zobrazenie a voľba zdroja vstupu.

V režime Text: Zmrazenie aktuálnej stránky.

(Mikrofón)

Použiť hlasovú funkciu. (Např. vyhľadat rôznyi obsah hlasovým príkazom.)

(Pohotovostný režim TV prijímača)

Zapnúť alebo vypnúť televízny prijímač (pohotovostný režim).

DIGITAL/ANALOG

Prepínanie medzi digitálnym a analógovým režimom.

TV/RADIO

Prepínanie medzi televíznym vysielaním a vysielaním rádia.

SYNC MENU

Zobrazenie ponuky funkcie BRAVIA Sync.

EXIT

Návrat na predchádzajúcu obrazovku alebo ukončenie ponuky. Ak je k dispozícii služba s interaktívnou aplikáciou, stlačením službu ukončíte.

2 Tlačidlá s číslami

/? (Zobrazenie informácií/textu)

Zobrazenie informácií.

(Text)

Zobrazenie textových informácií.

3 Google Play

Prístup k online službe „Google Play“.

NETFLIX (len v obmedzených oblastiach/krajínach/modeloch televíznych prijímačov)

Prístup k online službe „NETFLIX“.

Farebné tlačidlá

Vykonanie funkcie zodpovedajúcej v danom čase.

4 ACTION MENU

Zobraziť zoznam kontextových funkcií. Tento zoznam môžete tiež zobraziť.

TV

- Prepnutie na TV kanál alebo vstup z iných aplikácií.
- Zapnite televízny prijímač pre zobrazenie televízneho kanálu alebo vstupu.

GUIDE

Zobrazenie digitálnej programovej príručky.

BACK

Návrat na predchádzajúcu obrazovku.

HOME

Zobrazenie ponuky Domov TV prijímača.

DISCOVER

Zobrazenie panela s obsahom na vyhľadávanie obsahu.

(Výber položky/Kláves Enter)

5 +/- (Hlasitosť)

Nastavenie hlasitosti.

(Prechod)

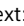

Stlačením prejdete dopredu alebo dozadu medzi dvomi kanálmi alebo vstupmi. TV prijímač prepína medzi aktuálnym kanálom alebo vstupom a posledným vybraným kanálom alebo vstupom.

(Stlmenie)

Stlmenie zvuku. Opätovným stlačením sa zvuk obnoví.

PROG +/-

V režime TV: Výber kanála.

V režime Text: Výber nasledujúcej  alebo predchádzajúcej  stránky.

6 AUDIO

Zmena jazyka aktuálne sledovaného kanála.

(Nastavenie titulkov)

Zapnutie alebo vypnutie titulkov (ak je táto funkcia k dispozícii).



Ovládanie mediálneho obsahu v TV prijímači a v pripojenom zariadení kompatibilnom s funkciou BRAVIA Sync.

HELP

Zobrazenie ponuky pomocníka. Odtiaľto je možné pristúpiť k príručke.

REC

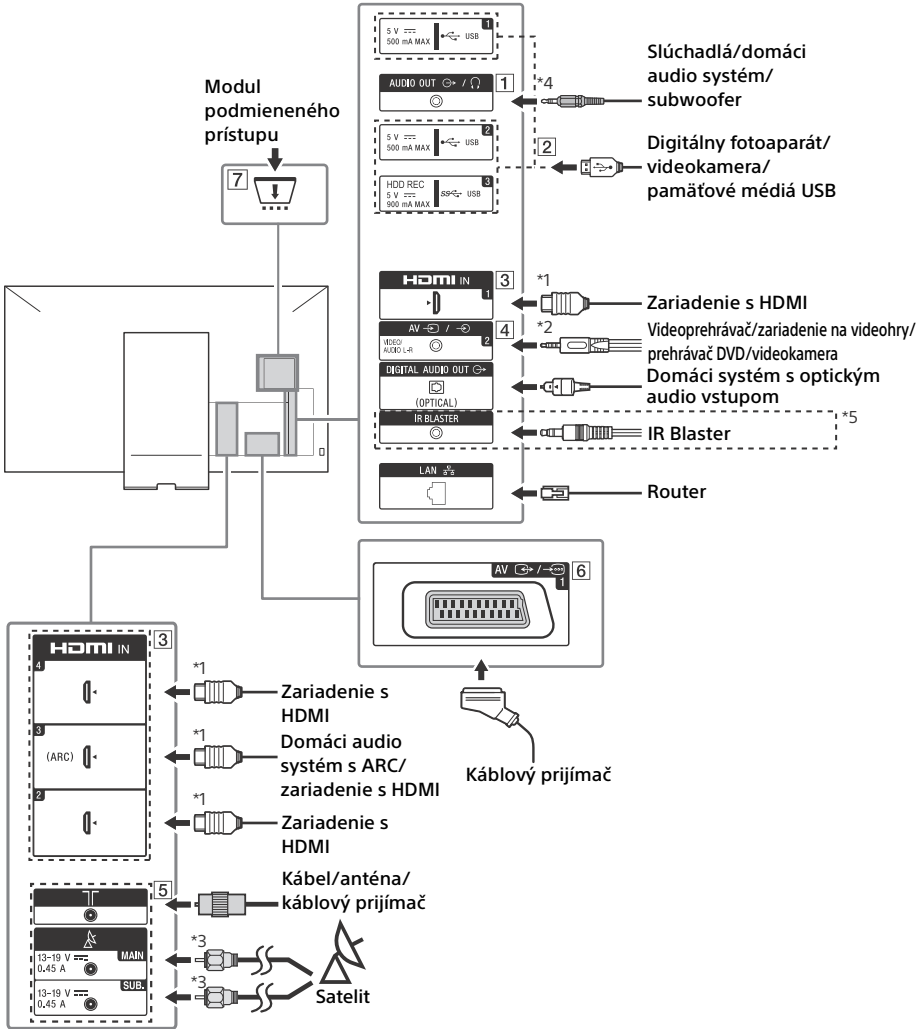
Nahratie aktuálneho programu pomocou funkcie nahrávania na zariadenie USB HDD.

TITLE LIST

Zobrazenie zoznamu titulov.

Schéma zapojenia

Viac informácií týkajúcich sa pripojení nájdete v dokumente Príručka (strana 2).



1 AUDIO OUT *4

- Ak chcete počuť zvuk z TV prijímača bez pripojeného zariadenia, stlačte tlačidlo **HOME**. Vyberte položky [Nastavenia] → [Zvuk] → [Výstup slúchadiel/audia] a potom vyberte požadovanú položku.

2 **USB 1/2**, **USB 3 (HDD REC)*5**

- Pripojenie veľkého zariadenia USB môže spôsobovať rušenie iných pripojených zariadení umiestnených vedľa tohto zariadenia.
- Veľké zariadenie USB pripojte do konektora USB 1.

3 **HDMI IN 1/2/3/4**

- Na pripojenie digitálneho audio systému, ktorý je kompatibilný s technológiou Audio Return Channel (ARC), použite konektor HDMI IN 3. Ak systém nie je kompatibilný, je potrebné ďalšie pripojenie prostredníctvom konektora DIGITAL AUDIO OUT (OPTICAL).

4 **AV 2**

- Pri kompozitnom pripojení použite priložený analógový predlžovací kábel*5.

5 (**Vstup RF**), (**Satelitný vstup**)

- Pripojenia pre pozemné/káblové televízne vysielanie a satelitnú televíziu. Postup pripojenia: MAIN → Anténa → SUB.
- Pre SUB. konektor pripojte iba v prípade, že používate režim dvojitého tunera s výnimkou jednokáblového rozvodu EN50494.

6 **AV 1**

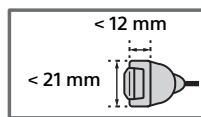
- Pripojte pomocou kábla SCART. Keď pripájate analógový dekodér, TV tuner do dekodéra vysiela zakódovaný signál a dekodér ho pred vyslaním dekoduje.

7 **CAM (Modul podmieneného prístupu)**

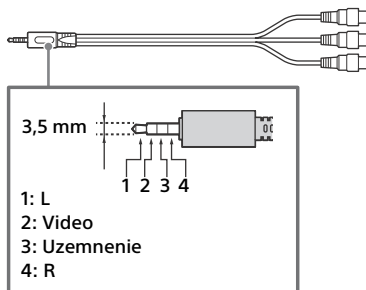
- Poskytuje prístup k plateným TV službám. Bližšie informácie nájdete v návode dodávanom spolu s modulom CAM.
- Inteligentnú kartu nekladajte priamo do slotu CAM TV prijímača. Musí sa vložiť do modulu podmieneného prístupu poskytnutého autorizovaným predajcom.
- Modul CAM nie je podporovaný vo všetkých krajinách/oblastiach. Poradte sa s autorizovaným predajcom.

- Keď po použití služby Internetové video prepnete na digitálny program, môže sa zobrazíť hlásenie modulu CAM.

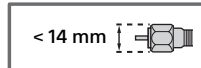
*1



*2



*3



*4 Podporuje iba 3-pólový stereo mini konektor.

*5 Len v obmedzených oblastiach/krajinách/modeloch TV prijímačov.

Montáž TV prijímača na stenu

V tomto návode na používanie TV prijímača sú uvedené len kroky na prípravu montáže TV prijímača pred montážou na stenu.

Pre zákazníkov:

Z dôvodov ochrany produktu a bezpečnosti spoločnosť Sony odporúča, aby montáž TV prijímača vykonali predajcovia spoločnosti Sony alebo licencovaní dodávatelia. Nepokúšajte sa ho montovať sami.

Pre predajcov a dodávateľov Sony:

Počas montáže, pravidelnej údržby a kontroly tohto produktu venujte plnú pozornosť bezpečnosti.

Montáž tohto produktu vyžaduje adekvátne odborné znalosti. Obzvlášť je potrebné určiť, či je stena dostatočne pevná na to, aby udržala hmotnosť TV prijímača. Pripevnenie tohto produktu na stenu zverte predajcom alebo licencovaným dodávateľom spoločnosti Sony a počas montáže venujte náležitú pozornosť bezpečnosti. Spoločnosť Sony nezodpovedá za žiadne škody ani zranenia spôsobené nevhodnou manipuláciou alebo nesprávnou montážou.

Televízny prijímač namontujte pomocou montážnej konzoly na stenu SU-WL450 (nedodáva sa) (KD-65ZD9) na stenu.

Počas montáže montážnej konzoly na stenu dodržiavajte aj pokyny v návode na obsluhu a v návode na inštaláciu dodanom s montážnou konzolou na stenu.

Poznámka

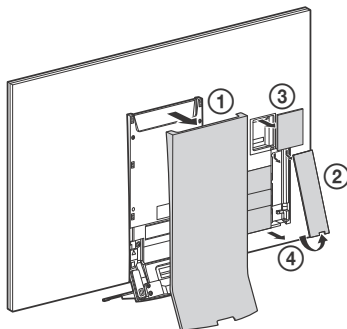
- Odskrutkované skrutky uložte na bezpečnom mieste mimo dosahu detí.



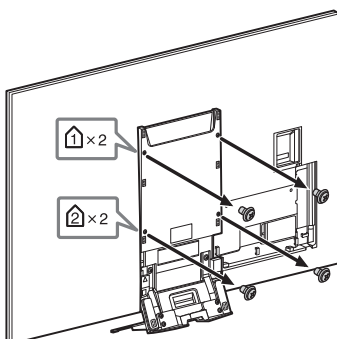
Pokyny na inštaláciu montážnej konzoly na stenu pre váš model televízora nájdete na nasledujúcej webovej stránke: www.sony.eu/tv/wall-mount-bracket-manual

Len KD-65ZD9

1 Odstráňte bočný, vnútorný, vrchný a stredový kryt.



2 Odmontujte skrutky zo zadnej časti televízneho prijímača.



SK

Len KD-75ZD9

Televízor možno namontovať na montážnu konzolu na stenu (nedodáva sa) priamo po dodaní a rozbalení.

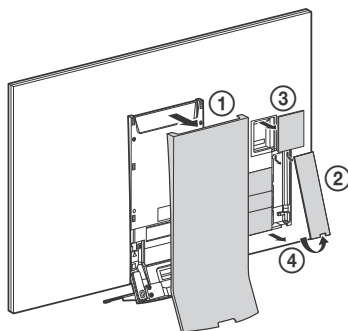
Pred pripojením káblov pripravte televízor na montáž montážnej konzoly na stenu.

Spoločnosť Sony dôrazne odporúča pre ochranu produktu a z bezpečnostných dôvodov zveriť upevnenie televízneho prijímača na stenu kvalifikovaným odborníkom. Nepokúšajte sa televízny prijímač upevniť na stenu sami.

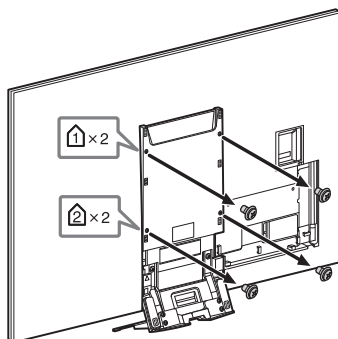
- Postupujte podľa návodu, ktorý je dodaný spolu s montážnou konzolou na stenu pre váš model. Pri upevňovaní tohto televízneho prijímača sa vyžadujú primerané skúsenosti, obzvlášť je potrebné zistiť pevnosť steny potrebnej na unesenie hmotnosti televízneho prijímača.
- Nepoužívané skrutky a stolový stojan uchovávajte na bezpečnom mieste, kým nie ste pripravení na pripavenie stolového stojana. Skrutky uchovávajte mimo dosahu detí.

Len KD-75ZD9

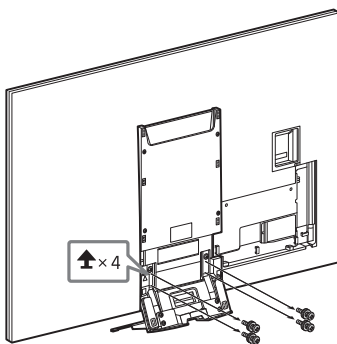
- 1 Odstráňte bočný, vnútorný, vrchný a stredový kryt.



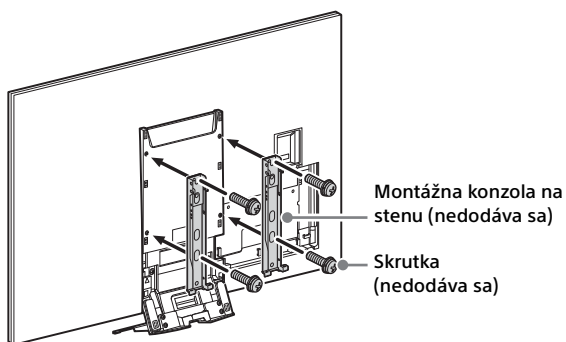
- 2 Odmontujte skrutky zo zadnej časti televízneho prijímača.



3 Odpojte stojan na stôl od televízneho prijímača.



4 Pripevnite montážnu konzolu na stenu (nedodáva sa) pomocou skrutiek (nedodávajú sa).

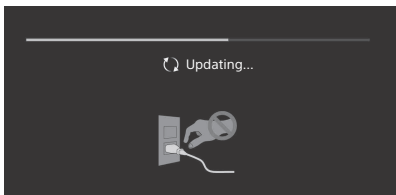


Poznámka

- Ak používate elektrický skrutkovač, nastavte krútiaci moment na približne 1,5 N·m (15 kgf·cm).

Riešenie problémov

Ak chcete softvér televízneho prijímača udržiavať v aktuálnom stave, musíte si cez systém digitálneho vysielania alebo internet prevziať informácie o najnovšom softvéri a aktualizovať ho. Ak chcete spustiť aktualizáciu, vyberte možnosť [Aktualiz. teraz]. Počas aktualizácie softvéru bliká biela kontrolka LED. Nasledujúca obrazovka s [Updating...] (Aktualizácia...) sa objaví počas aktualizácie softvéru.



Počas aktualizácie softvéru neodpájajte napájací kábel. Ak ho odpojíte, aktualizácia softvéru na nemusí úplne vykonať a môže dôjsť k nesprávnej funkcii softvéru. Aktualizácia softvéru môže trvať až 30 minút. Ak softvér nechcete aktualizovať automaticky, stlačte tlačidlo **HOME** a vyberte [Pomocník] → [Aktualizácia systémového softvéru] → [Automatické preberanie softvéru] → [Vyp.].

Po pripojení televízneho prijímača sa televízny prijímač nemusí dať určitý čas zapnúť, ani keď stlačíte vypínač na diaľkovom ovládači alebo televíznom prijímači, pretože inicializácia systému chvíľu trvá. Počkajte približne jednu minútu a potom to skúste znova.

Po zapnutí pomocou vypínača na diaľkovom ovládači alebo TV prijímači chvíľu potrvá, kým sa rozsvieti dióda LED a diaľkový ovládač bude fungovať.

Keď bliká kontrolka LED načerveno, počítajte koľko krát zabliká (časový interval je tri sekundy).

Ak bliká červená svetelná kontrolka LED, televízor resetujte tak, že napájací kábel odpojíte na dve minúty a potom televízor znova zapnete.


Ak problém pretrváva, kontaktujte predajcu alebo servisné stredisko spoločnosti Sony a uveďte počet kliknutí červenej Osvetlenie LED (časový interval sú tri sekundy). Odpojte sieťový kábel a informujte predajcu alebo servisné stredisko spoločnosti Sony.

Keď kontrolka LED neblíka, skontrolujte položky podľa nasledujúcej tabuľky.

Môžete si pozrieť aj časť riešenie problémov v dokumente Príručka alebo vykonajte autodiagnostiku výberom položiek [Pomocník] → [Autodiagnostika]. Ak problém pretrváva, nechajte TV prijímač opraviť kvalifikovanému servisnému technikovi.

Problémy a riešenia

Žiadny obraz (obrazovka je tmavá) a žiadny zvuk.

- Skontrolujte, či je pripojená anténa/kábel.
- Televízny prijímač zapojte do elektrickej zásuvky a stlačte tlačidlo  na televíznom prijímači alebo na diaľkovom ovládači.

Niektoré programy sa nedajú naladiť.

- Skontrolujte, či je pripojená anténa/kábel.
- Satelitný kábel môže mať skrat, alebo sú problémy s pripojením kábla. Skontrolujte kábel a jeho pripojenie, zvolte televízor sieťovým vypínačom a znova ho zapnite.
- Zadaná frekvencia je mimo dovolený rozsah. Problém konzultujte s vysielateľom satelitného programu.

Nenašli sa žiadne služby (programy) káblovej televízie.

- Skontrolujte pripojenie kábla alebo konfiguráciu ladenia.
- Pokúste sa vykonať [Digitálne automatické ladenie] výberom možnosti [Terestriálny] namiesto možnosti [Kábel].

Diaľkový ovládač nefunguje.

- Vymeňte batérie.

Zabudnuté heslo [Rodičovský zámok (vysielanie)].

- Zadajte kód PIN 9999. Aktualizujte kód PIN voľbou [Nastavenia] → [Rodičovský zámok (vysielanie)] → [Zmeniť PIN kód].

Okraj televízneho prijímača sa zahrieva.

- Keď sa televízny prijímač používa dlhšiu dobu, okraj televízneho prijímača je teplejší. Môžete to cítiť, keď sa ho dotknete rukou.

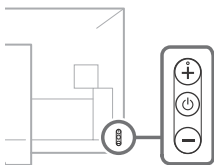
Zamrznutý zvuk alebo video, prázdna obrazovka alebo TV prijímač nereaguje na stláčanie tlačidiel TV prijímača alebo diaľkového ovládača.

- Vykonajte jednoduché resetovanie TV prijímača odpojením napájacieho kábla na dve minúty. Potom kábel znova pripojte.

Nemôžeme nájsť tlačidlá \cup , +, a - na televíznom prijímači.

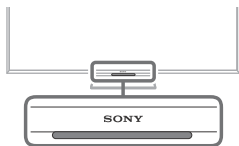
- Pozrite si nasledujúci obrázok znázorňujúci umiestnenie tlačidiel na TV prijímači.

Zadná strana TV prijímača



Osvetlenie LED svietí.

- Ak nechcete, aby osvetlenie LED svietilo, môžete ho vypnúť.
Stlačte tlačidlo **HOME** a potom vyberte položky [Nastavenia] → [Osvetlenie LED] → [Vyp.].



Pripojenie k bezdrôtovému smerovaču použitím funkcie WPS (Wi-Fi Protected Setup) zlyhalo.

- Ak používate zabezpečenie WEP, vyberte položky [Jednoduché] → [Wi-Fi] → [Pripojiť zo zoznamu vyhládávania]. Potom vyberte názov siete (SSID), ku ktorej sa chcete pripojiť.

Názov požadovanej siete sa v nastavení siete nenašiel.

- Zvoľte [[Manuálny vstup]] a stlačte \oplus na zadanie názvu siete.

Technické parametre

Systém

Systém panela

- Panel LCD (displej s tekutými kryštálmi),
- Podsvietenie LED

Systém televízneho vysielania

- V závislosti od výberu krajiny a regiónu/modelu televízneho prijímača
- Analógový: B/G, D/K, L, I
- Digitálny: DVB-T/DVB-C
- DVB-T2*
- Satelit*: DVB-S/DVB-S2

Systém farieb

- PAL, SECAM, NTSC3.58 (len video), NTSC4.43 (len video)

Kanálový rozsah

- V závislosti od výberu krajiny a regiónu/modelu televízneho prijímača
- Analógový: UHF/VHF/káblový
- Digitálny: UHF/VHF/káblový
- Satelit*: Medzifrekvencia 950-2 150 MHz

Zvukový výstup

- 10 W + 10 W

Bezdrôtová technológia

- Protokol IEEE802.11ac/a/b/g/n (IEEE802.11ac nemusí byť dostupné v závislosti od krajín alebo regiónov.)
- Bluetooth verzia 4.1

- * Nie všetky televízne prijímače majú technológiu DVB-T2 alebo DVB-S/S2 alebo konektor pre satelitnú anténu.

Vstupné a výstupné konektory

Anténa/kábel

- 75 Ohmov, externý konektor pre VHF/UHF

Satelitná anténa

- Konektor samica typu F, 75 Ohmov.
- DiSEqC 1.0, LNB 13 V/18 V a tón 22 kHz, Káblový zvod EN50494.

AV 1

- 21-kontaktný konektor Scart (norma CENELEC) vrátane vstupu audio/video, vstupu RGB a výstupu TV audio/video.

AV 2

- Vstup video/audio (mini konektor)

HDMI IN 1, 2, 3, 4 (podpora rozlíšenia 4K, HDCP 2.2 - kompatibilné)

Video (2D):

4096 × 2160p (50, 60 Hz)*¹, *², 4096 × 2160p (24 Hz)*¹, 3840 × 2160p (50, 60 Hz)*², 3840 × 2160p (24, 25, 30 Hz), 1080p (30, 50, 60 Hz), 1080i (50, 60 Hz), 720p (30, 50, 60 Hz), 720i (50, 60 Hz), 576p, 576i, 480p, 480i, Formáty PC

*¹ Keď je vstup 4096 × 2160 pixelov, zobrazené je 3840 × 2160 pixelov

*² Len HDMI IN 2 / 3.

Video (3D) (iba modely kompatibilné s formátom 3D):

Zhustovanie rámcov: 1080p (30Hz), 1080/24p, 1080i (50, 60Hz), 720p (30, 50, 60Hz), 720/24p

Vedľa seba: 1080p (50, 60Hz), 1080/24p, 1080i (50, 60Hz), 720p (50, 60Hz)

Nad sebou: 1080p (30, 50, 60Hz), 1080/24p, 1080i (50, 60Hz), 720p (50, 60Hz)

Zvuk: 5.1 lineárny kanál PCM: 32, 44,1, 48, 88,2, 96, 176,4 a 192 kHz, 16, 20 a 24 bitov, Dolby Digital, Dolby Digital Plus a DTS

ARC (Audio Return Channel) (iba HDMI IN 3) (dvojkanálový lineárny PCM, Dolby Digital, Dolby Digital Plus, DTS)

⊖ DIGITAL AUDIO OUT (OPTICAL)

Digitálny optický konektor (dvojkanálový lineárny PCM, Dolby Digital, DTS)

AUDIO OUT ⊖/⊕ (stereo mini konektor)

Slúchadlo, výstup zvuku, subwoofer

•↔1, •↔2, **SS**↔3 (HDD REC)*¹

Port v zariadení USB (**SS**↔3 zariadenie USB HDD pre funkciu REC (Nahrávanie))

USB port 1 a 2 podporujú vysokorýchlostné pripojenie USB (USB2.0).

USB port 3 podporuje super vysokorýchlostné pripojenie USB (USB3.0).



Slot CAM (modul pre podmienený prístup)



Konektor 10BASE-T/100BASE-TX (V závislosti od prevádzkového prostredia siete sa môže rýchlosť pripojenia meniť. Rýchlosť a kvalita komunikácie 10BASE-T/100BASE-TX nie je pre tento TV prijímač zaručená.)

IR BLASTER *¹

Vstup pre kábel IR Blaster (kolíkový minikonektor)

Iné

Doplnkové príslušenstvo

Montážna konzola na stenu: SU-WL450 (Len KD-65ZD9)

Bezdrôtový subwoofer: SWF-BR100

Aktívne 3D okuliare: TDG-BT500A



Prevádzková teplota

0 °C - 40 °C

Prevádzková vlhkosť

10 % - 80 % RH (nekondenzovaná)

Napájanie, informácie o produkte a ďalšie

Požiadavky na napájanie

Menovitý výkon: Vstup 220 V ~ 240 V ~, 50 Hz

Trieda energetickej efektívnosti

KD-75ZD9: B

KD-65ZD9: B

Rozmery obrazovky (merané diagonálne) (Približne)

KD-75ZD9: 189,3 cm / 75 palcov

KD-65ZD9: 163,9 cm / 65 palcov

Príkon

v režime [Štandardný]

KD-75ZD9: 259 W

KD-65ZD9: 210 W

v režime [Živý]

KD-75ZD9: 453 W

KD-65ZD9: 347 W

Priemerná ročná spotreba energie*²

KD-75ZD9: 359 kWh

KD-65ZD9: 291 kWh

Príkon v pohotovostnom režime*³⁺⁴

0,50 W (27 W v režime aktualizácie softvéru/EPG)

Rozlíšenie displeja

3 840 bodov (vodorovne) × 2 160 riadkov (zvisle)

Menovitý výkon

USB 1/2: 5 V, **==**, max. 500 mA

USB 3: 5 V, **==**, max. 900 mA

Rozmery (Približne) (š × v × h)

vrátane stolového stojana

KD-75ZD9: 168,4 × 104,7 × 27,8 cm

KD-65ZD9: 146,2 × 92,0 × 26,8 cm

bez stolového stojana

KD-75ZD9: 168,4 × 97,3 × 7,8 cm

KD-65ZD9: 146,2 × 84,7 × 7,8 cm

Hmotnosť (Približne)

vrátane stolového stojana

KD-75ZD9: 45,1 kg

KD-65ZD9: 35,7 kg

bez stolového stojana

KD-75ZD9: 41,3 kg

KD-65ZD9: 32 kg

*1 Len v obmedzených oblastiach/krajinách/modeloch TV prijímačov.

*2 Spotreba energie za rok; táto hodnota platí pre spotrebu energie v prípade televízneho prijímača, ktorý bude používaný 4 hodiny denne počas 365 dní. Skutočná spotreba energie bude závisieť na spôsobe používania televízneho prijímača.

*3 Uvedený príkon v pohotovostnom režime sa dosiahne, keď televízny prijímač dokončí nevyhnutné vnútorné procesy.

*4 Spotreba elektrickej energie v pohotovostnom režime sa zvýši po pripojení televízora k sieti.

Poznámka

- Zo slotu TV CAM (modul pre podmienený prístup) nevyberajte fiktívnu kartu za iným účelom, ako je vloženie inteligentnej karty do slotu CAM.
- Dostupnosť voliteľného príslušenstva závisí od krajiny/regiónu/modelu TV prijímača/zásob.
- Dizajn a špecifikácie sa môžu zmeniť bez oznámenia.


Poznámky k funkcii Digital TV

- Všetky funkcie súvisiace s funkciou Digital TV (DVB) budú pracovať iba v krajinách alebo na územiach, kde sa vysielaajú digitálne terestriálne signály DVB-T/DVB-T2 (MPEG-2 a H.264/MPEG-4 AVC) alebo kde máte prístup ku káblovej službe kompatibilnej s DVB-C (MPEG-2 a H.264/MPEG-4 AVC). U miestneho predajcu si overte, či vo vašom bydlisku môžete prijímať signál DVB-T/DVB-T2. Alternatívne sa spýtajte svojho poskytovateľa káblových služieb, či je jeho káblová služba DVB-C vhodná na integrovanú súčinnosť s týmto televíznym prijímačom.
- Poskytovateľ služieb káblovej televízie si môže takéto služby spoplatňovať a požadovať, aby ste prijali jeho obchodné podmienky.
- Tento televízny prijímač zodpovedá špecifikáciám DVB-T/DVB-T2 a DVB-C, avšak nemôžeme zaručiť kompatibilitu s budúcim digitálnym terestriálnym vysielačím DVB-T/DVB-T2 a s digitálnym káblovým vysielačím DVB-C.

- Niektoré funkcie Digital TV môžu byť v niektorých krajinách alebo oblastiach nedostupné a káblové vysielačie DVB-C nemusí správne fungovať u všetkých poskytovateľov.

Informácie o ochranných známkach

- Výrazy HDMI a HDMI High-Definition Multimedia Interface a logo HDMI sú ochranné známky alebo registrované ochranné známky spoločnosti HDMI Licensing LLC v USA a iných krajinách.
- Vyrobené na základe licencie od spoločnosti Dolby Laboratories. Dolby, Dolby Audio a dvojitý symbol D sú obchodné značky spoločnosti Dolby Laboratories.
- „BRAVIA“ a BRAVIA sú ochranné známky spoločnosti Sony Corporation.
- Gracenote, Gracenote eyeQ, Gracenote VideoID, Gracenote Video Explore, logo a logotyp Gracenote a logo „Powered by Gracenote“ sú registrované ochranné známky alebo ochranné známky spoločnosti Gracenote v USA a/alebo v iných krajinách.
- Opera® Devices SDK from Opera Software ASA. Copyright 1995-2015 Opera Software ASA. All rights reserved.
- Logo Wi-Fi, Wi-Fi Direct, Miracast, Wi-Fi Protected Setup a Wi-Fi CERTIFIED sú ochranné známky alebo registrované ochranné známky združenia Wi-Fi Alliance.
- Informácie o patentoch DTS nájdete na adrese <http://patents.dts.com>. Vyrobené na základe licencie od spoločnosti DTS, Inc. DTS, symbol a DTS a symbol znázornené spolu sú registrované ochranné známky a DTS Digital Surround je ochranná známka spoločnosti DTS, Inc. © DTS, Inc. Všetky práva vyhradené.
- QuickSet a logo QuickSet sú ochranné známky spoločnosti Universal Electronics Inc. Portions © UEI 2000-2015
- Slovná značka a logá Bluetooth® sú registrované ochranné známky vlastnené spoločnosťou Bluetooth SIG, Inc. a akékoľvek použitie týchto značiek zo strany spoločnosti Sony Corporation sa realizuje na základe licencie. Ostatné ochranné známky a obchodné názvy sú vlastníctvom príslušných vlastníkov.

- DiSEqC™ je ochranná známka spoločnosti EUTELSAT.
Tento TV prijímač podporuje DiSEqC 1.0.
Tento TV prijímač nie je určený pre kontrolné motorizované antény.
- TUXERA je registrovaná ochranná známka spoločnosti Tuxera Inc. registrovaná v USA a iných krajinách.
- Logo USB-IF SuperSpeed USB Trident je registrovaná ochranná známka spoločnosti USB Implementers Forum, Inc. 

Tartalomjegyzék

FONTOS FIGYELMEZTETÉS	2
Biztonsági előírások	3
Óvintézkedések	5
Alkatrészek és vezérlőelemek	7
Vezérlők és szimbólumok	7
A távvezérlő használata	8
A távvezérlő működési leírása	8
Csatlakoztatási ábra	10
A tv felszerelése a falra	12
Csak a KD-75ZD9 esetén	14
Hibaelhárítás	16
Problémák és megoldások	16
Műszaki adatok	17

Bevezetés

Köszönjük, hogy ezt a Sony terméket választotta. Kérjük, mielőtt üzembe helyezi a készüléket, olvassa el figyelmesen ezt a használati utasítást, és őrizze meg, mert a későbbiekben is szüksége lehet rá.

Megjegyzés

- Kérjük, hogy a TV használata előtt olvassa el a következőt: „Biztonsági előírások” (3. oldal).
- A Beállítási útmutatóban, valamint az ebben az útmutatóban szereplő képek és ábrák csak tájékoztatói célokat szolgálnak, és eltérhetnek a valós terméktől.

A Beállítási útmutató helye

A Beállítási útmutató a TV kartondobozában, a párnázás tetején található.

Súgóútmutató

A Súgó funkció számos információt nyújt a TV-készülekről. A Súgó használatához nyomja meg a távvezérlő **HELP** gombját. Ebben megtalálhatja, hogy hogyan és hibajavítást a listában kimondott vagy beírt kulcsszavas kereséssel. A Súgó menüben a [Súgóútmutató] menüpontot választva megtekintheti a kézikönyvet. Ha a TV-készüléket az internetre csatlakoztatja, akkor a Súgó szolgáltatás és az információk frissítődnek.

Az azonosító címke helye

A típusszám, a gyártási idő (év/hónap) és az áramellátás típusának címkeje a televízió hátulján vagy a csomagoláson található. Ezek a középső fedél eltávolítása után válnak láthatóvá.

FIGYELMEZTETÉS

A TŰZ TERJEDÉSÉNEK
MEGELŐZÉSE
ÉRDEKÉBEN TARTSA TÁVOL A
GYERTYÁKAT ÉS AZ ÖSSZES
EGYÉB NYÍLT LÁNGOT A
TERMÉKTŐL.



FONTOS FIGYELMEZTETÉS

Ezt a terméket a Sony Corporation (1-7-1 Konan Minato-ku Tokió, 108-0075 Japán), vagy megbízottja gyártotta. Az Európai Unió jogszabályai alapján a termékbiztonsággal kapcsolatban a Sony Belgium, bijkantoor van Sony Europe Limited, Da Vincilaan 7-D1, 1935 Zaventem, Belgium. Kérjük, bármely szervizeléssel vagy garanciával kapcsolatos ügyben, a különálló szerviz- vagy garanciadokumentumokban megadott címekhez forduljon.

Megjegyzés a vezeték nélküli jellel kapcsolatban



Alulírott, Sony Corporation nyilatkozom, hogy a(z) készülék megfelel a vonatkozó alapvető követelményeknek és az 1999/5/EK irányelv egyéb előírásainak. További információkat a következő weboldalon találhat: <http://www.compliance.sony.de/>

Megjegyzés a felhasználók számára: a következő tájékoztatás az EU irányelveit alkalmazó országokban értékesített készülékekre vonatkozik.

A vezeték nélküli tv-rendszer csak a következő országokban használható:

AT, BE, HR, CY, CZ, DK, EE, FI, FR, DE, GR, HU, IE, IT, LV, LT, LU, MT, NL, PL, PT, SK, SI, ES, SE, GB, IS, LI, NO, CH, BG, RO, TR, AL, BA, MK, MD, RS, ME, Koszovó

Ez a készülék más, Európán kívüli országokban is használható.

Biztonsági előírások

FIGYELMEZTETÉS

Az elemeket ne tegye ki túlságosan magas hőmérsékletnek, például napfénynek, tűznek vagy hasonló hatásnak. Soha ne helyezze a televíziókészüléket instabil helyre. A televíziókészülék leeshet, és komoly személyi sérüléseket vagy halált okozhat. Sok sérülés (különösképp a gyermekek esetében) elkerülhető néhány egyszerű óvintézkedés betartásával, például:

- A televíziókészülék gyártója által ajánlott szekrényeket és állványokat használja.
- Csak olyan bútorokat használjon, amelyek lehetővé teszik a televíziókészülék biztonságos alátámasztását.
- Győződjön meg róla, hogy a tévékészülék nem lóg túl az alátámasztó bútor peremén.
- Ne helyezze a televíziókészüléket magas bútorokra (például magas szekrényekre vagy könyvespolcokra) mind a bútor, mind a televíziókészülék megfelelő rögzítése nélkül.
- Ne helyezzen a televíziókészülék és az alátámasztó bútor közé textilt vagy egyéb anyagokat.
- Magyarázza el gyermekeknek, hogy milyen veszélyekkel járhat, ha felmásznak a bútorra a televíziókészülék vezérlőinek eléréséhez.

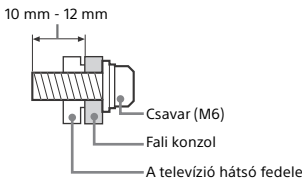
Abban az esetben is vegye figyelembe a fenti szempontokat, ha a meglévő televíziókészülékét megtartja és áthelyezi.

Üzembe helyezés, beállítás

Tűz, áramütés, anyagi kár vagy sérülés elkerülése érdekében a tv-készüléket az alábbi utasításoknak megfelelően helyezze üzembe és használja.

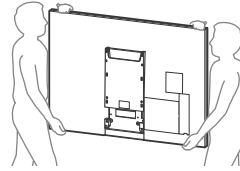
Üzembe helyezés

- A tv-készüléket egy könnyen elérhető hálózati aljzat közelébe helyezze.
- Helyezze a TV-készüléket stabil, sík felületre, hogy megelőzze annak leesését, ami személyi sérülést, vagy a tulajdon megrongálódását okozhatja.
- Helyezze a tv-készüléket egy olyan helyre, ahonnan nem lehet lerántani, lelökni vagy feldönteni.
- A készülék falra szerelését szakemberrel végeztesse.
- Biztonsági okokból, határozottan javasolt az eredeti Sony tartozékok használata, közöttük a következők:
 - Fali konzol
 - SU-WL450 (Csak a KD-65ZD9 esetén)
- A fali konzolt a fali konzolhoz mellékelt csavarokkal rögzítse a TV-készülékhez. A mellékelt csavarok kialakítása az ábrának megfelelő, a fali konzol csatlakozófelületétől mérve. A csavarok hossza és átmérője a fali konzol modelljétől függően különbözik.
- A mellékelt csavarok helyett más csavarok használata a tv-készülék belső sérülését eredményezheti, illetve a készülék leesését stb. okozhatja.



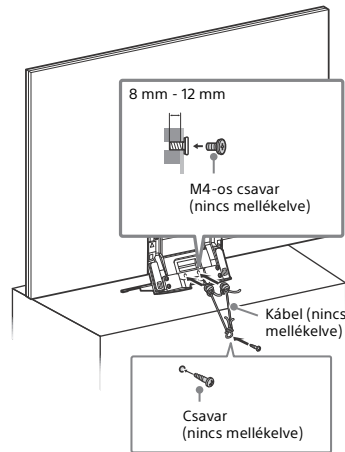
Szállítás

- A készülék szállítása előtt szüntesse meg a készülék összes csatlakozását.
- A készülék szállításához legalább két ember szükséges.
- Ha kézzel szállítja a tv-készüléket, akkor azt az alábbi ábra szerint kell megfogni. Ne gyakoroljon nyomást az LCD-képernyőre és a képernyőt körülvevő keretre.



- Amikor szállítja a készüléket, ne tegye ki ütődésnek vagy erős rázkódásnak.
- Ha a készüléket szervizbe szállítja vagy költözködik, mindig csomagolja vissza az eredeti dobozába.

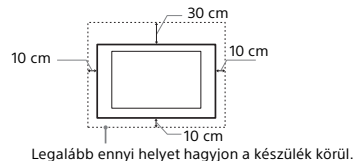
A felborulás megakadályozása



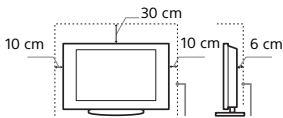
Szellőzés

- Soha ne takarja el a készülék szellőzőnyílásait, illetve ne tegyen semmit a készülékbe.
- Az alábbi ábrán látható mértékű helyet hagyjon a készülék körül.
- Határozottan javasolt Sony fali konzol használata, a megfelelő szellőzés biztosítása érdekében.

Falra szerelve



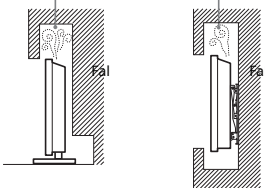
Állványon történő használat esetén



Legalább ennyi helyet hagyjon a készülék körül.

- A megfelelő szellőzés biztosítása, és por vagy szennyeződés felhalmozódásának megelőzése érdekében:
 - Ne üzemeltesse a készüléket a hátrára vagy az oldalára fordítva.
 - Ne üzemeltesse a készüléket zárt polcon, ágyra vagy takaróra helyezve, illetve szekrényben.
 - Ne takarja le a készüléket függönnyel vagy hasonló textillával, illetve újsággal vagy hasonló anyaggal.
 - Ne üzemeltesse a készüléket az alábbi módokon.

A légáramlás gátolat.



Hálózati csatlakozóvezeték

A tűz, áramütés, anyagi kár vagy sérülés elkerülése érdekében a hálózati csatlakozóvezetékét az alábbi utasításoknak megfelelően használja:

- Csak a Sony által gyártott hálózati csatlakozóvezetékét használjon, ne használja más gyártóké.
- Ütközésig tolja a csatlakozódugaszt a hálózati aljzatba.
- A tv-készülékét csak 220 V – 240 V-os váltóáramú hálózatról üzemeltesse.
- Egyéb vezetékek csatlakoztatása előtt, a biztonsága érdekében, mindig húzza ki a hálózati csatlakozóvezetékét.
- Ügyeljen rá, hogy lábai ne akadjanak a vezetékekbe. Húzza ki a hálózati csatlakozóvezetékét a hálózati aljzattól, mielőtt a készüléket áthelyezi vagy mozgatja azt.
- A hálózati csatlakozóvezetékét tartsa távol mindenféle hőforrástól.
- Rendszeresen húzza ki és tisztítsa meg alaposan a csatlakozódugaszt. Ha a dugasz beszennyeződik, az magába szívhatja a nedvességet, ami a szigetelési tulajdonságok romlásához vezethet, és ez tüzet okozhat.

Megjegyzés

- A mellékelt hálózati csatlakozóvezetékét ne használja más készülékhez.
- A vezetékét nem szabad túlzott mértékben megszorítani, meghajlítani vagy megcsavarni. A belső érpár csupaszulódhat vagy elszakadhat.
- A hálózati csatlakozóvezetékét nem szabad átalakítani.
- Ne helyezzen semmilyen nehéz tárgyat a hálózati csatlakozóvezetékre.
- Kihúzásnál soha ne magát a vezetékét húzza, hanem a csatlakozódugaszt.
- Ügyeljen arra, hogy ne csatlakoztasson túl sok készüléket ugyanahhoz a hálózati aljzathoz.
- Soha ne használjon szakszerőtlenül felszerelt hálózati aljzatot.

Tilos a készülék használata!

Ne helyezze üzembe, és ne használja a tv-készülékét az alábbiakban felsorolt helyeken, környezetekben vagy alkalmakkor. Ellenkező esetben a készülék meghibásodhat, tüzet, áramütést, anyagi kárt vagy sérülést okozhat.

Ehelyezés:

- Kültéren (közvetlen napsugárzásnak kitett helyen), tengerparton, hajón vagy más vízi járművön, járműben, egészségügyi intézményekben, instabil helyen, víz közelében, esőben, nedves vagy füstös környezetben tilos.

Környezet:

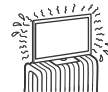
- Forró, páras vagy túlzottan poros környezetben; ahol rovarok juthatnak a belsejébe; ahol rázkódásnak van kitéve, gyúlékony anyagok (pl. gyertya stb.) közelében. Ne tegye ki a tv-készülékét csepegő vagy fröccsenő víz hatásának, és ne helyezzen vízzel telt tárgyakat (pl. vázát) a tv-készülékére.

Alkalmom:

- Használja nedves kézzel, eltávolított készülékházzal, vagy olyan kiegészítő berendezésekkel, amelyet a gyártó nem javasolt. Villámlással kísért vihar esetén húzza ki a készülékét a hálózati aljzattól, és távolítsa el az antennavezetékét is.
- Oly módon, hogy tv valamelyik sarka kilógjon, és az akadályozza a közeledést. Ez a televíziókészülék károsodását vagy személyi sérülést okozhat, ha egy személy vagy egy tárgy beleütközik.



- Páras vagy poros helyen, vagy olyan helyiségben, ahol olajos füstnek vagy gőznek lenne kitéve a tv-készülék (főzőasztalok vagy párologtatók közelében). Ez tüzhöz, áramütéshez vagy a készülék elgömböcsödéséhez vezethet.
- Ahol szélsőséges hőmérsékletnek, például közvetlen napsütésnek lenne kitéve a tv-készülék, vagy fűtőttest vagy meleglevegő-befúvó közelében. Ilyen esetben a televíziókészülék túlmelegedhet, a burkolata deformálódhat és/vagy a televíziókészülék meghibásodhat.



- Ha a televíziókészülékét egy nyilvános fürdő vagy termálvíz bitözőjében szerelik fel, a televíziókészülékét károsíthatja a levegőben megtalálható kén és más anyagok.
- A legjobb képminőség érdekében ne tegye ki a képernyőt közvetlen megvilágításnak vagy napfénynek.
- Kerülje a televíziókészülékét hideg helyiségből meleg helyiségbe történő áthelyezését. A hirtelen hőmérséklet-változások páralecsapódást okozhatnak. Ez pedig a televíziókészüléken rossz minőségű képet vagy színeket okozhat. Ha ez bekövetkezne, hagyjon időt a párának a teljes elpárolgására, mielőtt bekapcsolná a televíziókészülékét.



Letört darabok:

- Ne dobjon semmit a tv-készüléknek. Az ütéstől a képernyő üvege betörhet, és komoly sérüléseket okozhat.
- Ha a készülék felülete megreped, ne érintse meg addig, amíg meg nem szüntette a hálózati vezeték csatlakozását. Ellenkező esetben ez áramütést okozhat.

Ha a készülékét nem használja

- Környezetvédelmi és biztonsági okokból javasoljuk, hogy áramtalanítsa teljesen a készülékét, ha hosszabb ideig nem használja azt.
- A tv-készülék kikapcsolt állapotban is feszültség alatt áll, amíg a hálózati aljzathoz csatlakozik. A készülék áramtalanításához, húzza ki a hálózati csatlakozóvezetékét a hálózati aljzattól.
- Elképzelhető, hogy némely TV-készülék bizonyos funkcióinak helyes működéséhez szükséges, hogy a készülékét készenléti üzemmódban hagyja.

A gyermekekre vonatkozóan

- Ne engedje, hogy a gyerekek felmászzanak a készülékre.
- A kisméretű tartozékokat tartsa gyermekek elől elzárva, nehogy véletlenül lenyeljék azokat.

Ha a következő problémák merülnek fel...

Kapcsolja ki a tv-készüléket, és azonnal húzza ki a hálózati csatlakozóvezetékét, amikor a következő problémák valamelyikét tapasztalja.

Lépjén kapcsolatba egy Sony márkaszervizzel, és vizsgálta át a készüléket szakemberrel.

Amikor:

- A hálózati csatlakozóvezeték megsérült.
- A csatlakozódugasz nem illeszkedik tökéletesen a hálózati aljzatba.
- A tv-készülék megsérült, mert elejtették, megütötték vagy valamit nekidobtak.
- Valamilyen folyadék vagy szilárd tárgy kerül a készülék valamely nyílásába.

Az LCD TV hőmérséklete

Ha az LCD TV-t hosszú ideig használja, a panel környezete felmelegszik. Ezt érezheti, ha odanyúl a kezével.

Övintézkedések

Tv-nézés

- A tv-készülék közepes megvilágítás mellett nézze, mert a túl gyenge fénynél történő tv-nézés, vagy hosszú ideig történő használat megerőlteti szemét.
- Fejhallgató használata esetén kerülje a túl nagy hangerőt, mert károsodhat a hallása.

(Csak 3D-kompatibilis modellek esetében)

- Egyes nézők a 3D videóképek megtekintése és a térhatású 3D játékok használata során kényelmetlen érzést (például a szem túlerőltetését, fáradását vagy émelygést) tapasztalhatnak. A Sony azt javasolja, hogy a 3D videóképek megtekintése vagy a térhatású 3D játékok használata során minden néző tartson rendszeres szüneteket. A szükséges szünetek hossza és gyakorisága személyenként eltérhet. A legjobb megoldást a felhasználónak kell megtalálnia. Ha kényelmetlen érzést tapasztal, függeszse fel a 3D videóképek megtekintését és a térhatású 3D játékok használatát, amíg a kellemetlen érzés el nem múlik, és szükség esetén forduljon orvoshoz. Tekintse át a tv-készülékkel együtt használt más eszközök és adathordozók (i) használati útmutatóját és (ii) webhelyünk (www.sony.eu/support) legfrissebb információit. A kisgyermek látása (különösen a hat évesnél fiatalabb gyermekek esetében) még fejlődésben van. Mielőtt kisgyermekének engedélyezné a 3D videóképek vagy térhatású 3D játékok megtekintését, forduljon orvosához (gyermekorvosához vagy szemészéhez). A felnőtteknek a kisgyermek felügyelete során kell meggyőződniük arról, hogy a fenti ajánlásokat betartják-e.
- A 3D szemüveget vagy az elemet ne használja, ne tárolja, és ne hagyja magas hőmérsékletnek kitett helyeken, például tűző napon vagy napon álló autóban.

LCD-képernyő

- Annak ellenére, hogy az LCD-képernyőt nagypontosságú technológiával gyártják, és a képpontok legalább 99,99 %-a működőképes fekete vagy világos (piros, kék, zöld) pontok jelenhetnek meg tartósan a képernyőn. Ez az LCD-képernyő szerkezeti jellemzője, és nem jelent hibás működést.
- Ne nyomja vagy karcolja meg a képernyő felületét, és ne helyezzen semmilyen tárgyat a készülék tetejére. A megjelenítés egyenetlenné válhat, és az LCD-képernyő megsérülhet.
- Ha a készüléket hideg helyen üzemelteti, a kép elmosódottá válhat, vagy a képernyő elsötétülhet. Ez nem hibajelenség. A jelenség megszűnik, amint a hőmérséklet emelkedik.
- Ha hosszabb ideig állóképet jelenít meg a képernyőn, szellemkép jelenhet meg. Ez pár pillanat múlva eltűnik.
- A készülék üzemeltetése közben a képernyő és a készülékház felmelegedhet. Ez nem hibajelenség.
- Az LCD-képernyő kis mennyiségű folyadékkristályt tartalmaz. Kövesse a helyi előírásokat és szabályozásokat hulladékként történő elhelyezésre.

A készülék képernyőjének és házának kezelése és tisztítása

A tisztítás megkezdése előtt húzza ki a készülék hálózati csatlakozóvezetékét az aljzatból. Az anyagok, illetve a képernyő bevonatának károsodását elkerülendő tartsa be az alábbi övintézkedéseket.

- A képernyő és a készülékház portalanításához használjon puha tisztítókendőt. Ha a port nem lehet letörölni, nedvesítse meg a tisztítókendőt enyhe mosószeres oldattal.
- Ne permetezzen vizet vagy tisztítószert közvetlenül a tv-készülékre. Beszívárogat a képernyő aljába vagy a külső alkatrészekbe, illetve a tv-készülék belsejébe juthat, és a tv-készülék károsodását okozhatja.
- Soha ne használjon súrolóeszközt, lúgos vagy savas tisztítószert, súrolóport, illetve oldószert, például alkoholt, benzint, hígítót vagy rovarirtót. Ezek az anyagok károsíthatják a képernyő és a készülékház felületét.
- Ne érintse meg a TV készüléket, ha a kezét bármilyen vegyi anyaggal kente be, például kézkrémmel vagy naptejvel.
- A megfelelő szellőzés biztosítása érdekében javasoljuk a szellőzőnyílások rendszeres porszívózását.
- A készülék dőlésszögének beállításakor lassan mozgassa a készüléket, így elkerülheti, hogy az elmozduljon vagy lecsusszon az állványról.

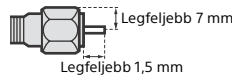


Külső készülékek

- Tartsa távol a tv-készüléktől a külön megvásárolható készülékeket vagy bármely eszközt, amely elektromágneses sugárzást bocsát ki. Ellenkező esetben torzult kép vagy zaj jelentkezhet.
- Ez a termék a tesztlesek alapján az EMC-irányelvben meghatározott korlátokon belül esik, ha 3 méternél rövidebb jelkábellel használják.

Javaslatok az F típusú csatlakozóhoz

A belső vezeték legfeljebb 1,5 mm-re állhat ki a csatlakozó részből.



(Az F típusú csatlakozó referenciabrája)

Az egység vezeték nélküli funkciója

- Ne használja a készüléket orvosi berendezés (pacemaker stb.) közelében, mert ez az orvosi berendezés hibás működéséhez vezethet.
- Bár a készülék kódolt jeleket ad/vesz, ügyeljen a jogosulatlan lehallgatásra. Az ebből eredő problémáért nem vállalunk felelősséget.

Figyelmeztetés a távvezérlő használatával kapcsolatban

- Győződjön meg arról, hogy a mellékelt elemeket megfelelő polaritással helyezze be a távvezérlőbe.
- Ne használjon együtt régi és új, illetve eltérő típusú elemeket.
- Gondoskodjon a kimerült elemek környezetbarát elhelyezéséről. Bizonyos régiókban törvény szabályozza az elemek hulladékként történő elhelyezését. Lépjén kapcsolatba a helyi hatóságokkal.
- Óvatosan kezelje a távvezérlőt. Ne ejtse le, ne lépjen rá és ne öntsön rá semmilyen folyadékot.
- Ne helyezze a távvezérlőt hőforrás közelébe, ne tegye ki közvetlen napfény hatásának, és ne tárolja nyirkos helyiségben.

A tv-készülék elhelyezése hulladékként



Feleslegessé vált elektromos és elektronikus készülékek hulladékként való eltávolítása (Használható az Európai Unió és egyéb európai országok szelektív hulladékgyűjtési rendszereiben)

Ez a szimbólum a készüléken vagy a csomagolásán azt jelzi, hogy a terméket ne kezelje háztartási hulladékként. Kérjük, hogy az elektromos és elektronikai hulladék gyűjtésére kijelölt gyűjtőhelyen adja le. A feleslegessé vált termék helyes kezelésével segít megelőzni a környezet és az emberi egészség károsodását, mely bekövetkezhetne, ha nem követi a hulladékkezelés helyes módját. Az anyagok újrahasznosítása segít a természeti erőforrások megőrzésében. A termék újrahasznosítása érdekében további információért forduljon a lakhelyén az illetékesekhez, a helyi hulladékgyűjtő szolgáltatóhoz vagy ahhoz az üzlethez, ahol a terméket megvásárolta.

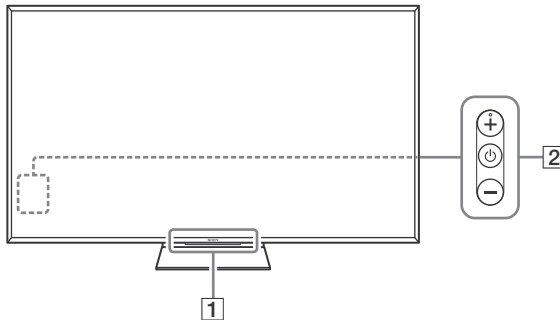


Feleslegessé vált elemek hulladékként való eltávolítása (Használható az Európai Unió és egyéb európai országok szelektív hulladékgyűjtési rendszereiben)

Ez a szimbólum az elemen vagy annak csomagolásán azt jelzi, hogy a terméket ne kezelje háztartási hulladékként. Egyes elemeken vagy azok csomagolásán ez a szimbólum együtt szerepelhet a higany (Hg) vagy az ólom (Pb) vegyjelével akkor, ha az elem 0,0005 %-nál több higanyt vagy 0,004 %-nál több ólmot tartalmaz. Kérjük, hogy azt a használt elemek gyűjtésére kijelölt gyűjtőhelyen adja le. A feleslegessé vált elemek helyes kezelésével segít megelőzni a környezet és az emberi egészség károsodását, mely bekövetkezhetne, ha nem követi a hulladékkezelés helyes módját. Az anyagok újrahasznosítása segít a természeti erőforrások megőrzésében. Olyan berendezéseknél alkalmazott elemeket, ahol biztonsági, teljesítményi, illetve adatok megőrzése érdekében elengedhetetlen az energiaellátás folyamatosságának biztosítása, csak az arra felkészült szerviz állomány cserélheti ki. Beépített elem esetén, hogy biztosítható legyen az elem megfelelő kezelése, a terméknek elhasználódásakor juttassa el azt az arra kijelölt elektromos és elektronikus hulladékgyűjtő pontra. Minden más elem esetén kérjük, hogy tanulmányozza, milyen módon lehet biztonságosan az elemet a készülékből eltávolítani. Az elemet a használt elemek megfelelő begyűjtőhelyén adja le. A termék újrahasznosítása érdekében további információért forduljon a lakhelyén az illetékesekhez, a helyi hulladékgyűjtő szolgáltatóhoz vagy ahhoz az üzlethez, ahol a terméket megvásárolta.

Alkatrészek és vezérlőelemek

Vezérlők és szimbólumok



1 Távvezérlő érzékelő*1 / Fényérzékelő*1 / LED-megvilágítás / 3D vezérlő*1*2

A LED-megvilágítás a televízió állapota szerint világít vagy villog.

- Fehér
TV bekapcsolása/kép kikapcsolása/
szoftverfrissítés stb.
- Ciánkék
Mobil készülékkel létrehozott vezeték
nélküli kapcsolat.
- Rózsaszín*2
Felvételi mód.
- Sárga
Az időzítő beállítva.

2 ⏻ (Bekapcsolás) / + / -

Ha a TV ki van kapcsolva,
a ⏻ gombbal kapcsolja be.

Ha a TV be van kapcsolva,
a ⏻ gombot hosszan nyomva tartva
kapcsolja ki.
Nyomogassa a ⏻ gombot a funkció
módosításához, majd a + vagy - gombot a
következőhöz:

- hangerő beállítása,
- csatornaváltás,
- a TV bemeneti jelforrásának kijelölése.

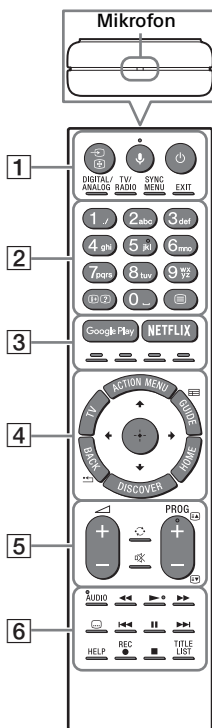
*1 Ne tegyen semmit az érzékelő közelébe.

*2 Csak egyes régiókban/országokban/tv-
modellekben.

A távvezérlő használata

A távvezérlő működési leírása

A távvezérlő alakja, gombjainak helye, elérhetősége és funkciója az régiótól/országtól/a televízió típusától függően változhat.



1 (Bemenetválasztás/Teletext megállítása)

Tv üzemmódban: Jelenítse meg és válassza ki a bemeneti forrást.

Teletext üzemmódban: A pillanatnyilag megtekintett oldal tartása.

(Mikrofon)

A hang funkció használata. (Például különböző tartalmak keresése beszéd alapján.)

(Készenléti üzemmód)

A televíziókészülék be- vagy kikapcsolása (készenléti üzemmód).

DIGITAL/ANALOG

A digitális és az analóg mód közötti váltás.

TV/RADIO

A TV vagy RADIO adások közötti váltás.

SYNC MENU

A BRAVIA Sync menü megjelenítése.

EXIT

Visszatérés az előző képernyőhöz, vagy kilépés a menüből. Amikor elérhető az Interaktív alkalmazás szolgáltatás, nyomja meg a szolgáltatásból való kilépéshez.

2 Számgombok

/? (Információ/Szöveg felfedése)

Információk megjelenítése.

(Teletext)

Teletext információk megjelenítése.

3 Google Play

Megnyitja a „Google Play” online szolgáltatást.

NETFLIX (Csak egyes régiókban/országokban/tv-modelleknél)

Hozzáférés a „NETFLIX” online szolgáltatáshoz.

Színes gombok

A gombhoz tartozó funkció végrehajtása.

4 ACTION MENU

A környezetfüggő funkciók listájának megjelenítése.

TV

- Váltás televíziócsatornára vagy más alkalmazás bemenetére.
- Kapcsolja be a TV-t a TV-csatorna vagy bemenet megjelenítéséhez.

GUIDE/

A digitális műsorújság megjelenítése.

BACK/

Visszatérés az előző képernyőre.

HOME

A televíziókészülék főmenüjének megjelenítése.

DISCOVER

A Tartalom sáv megnyitása és tartalom keresése.

/▼/◀/▶/⊕ (Elem kiválasztása/megadása)

5 +/- (Hangerő)

A hangerő beállítása.

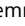

(Ugrás)

Oda-vissza váltás két csatorna vagy bemenet között. A tv-készülék az aktuális csatorna vagy bemenet és a legutóbb kiválasztott csatorna vagy bemenet között vált.

(Némítás)

A hang kikapcsolása. Ismét megnyomva a hang visszakapcsol.

PROG +/-//

Tv-üzemmódban: Csatornák kiválasztása. Teletext üzemmódban: A következő () vagy az előző () oldal kiválasztása.

6 AUDIO

Az aktuálisan megtekintett műsor nyelvének módosítása.

(Feliratok beállítása)

A feliratok be- vagy kikapcsolása (amikor a szolgáltatás elérhető).

A televíziókészülék és a csatlakoztatott BRAVIA Sync-kompatibilis eszköz médiatartalmának vezérlése.

HELP

Súgó menü megjelenítése. A Súgóútmutató bárholnan elérhető.

REC

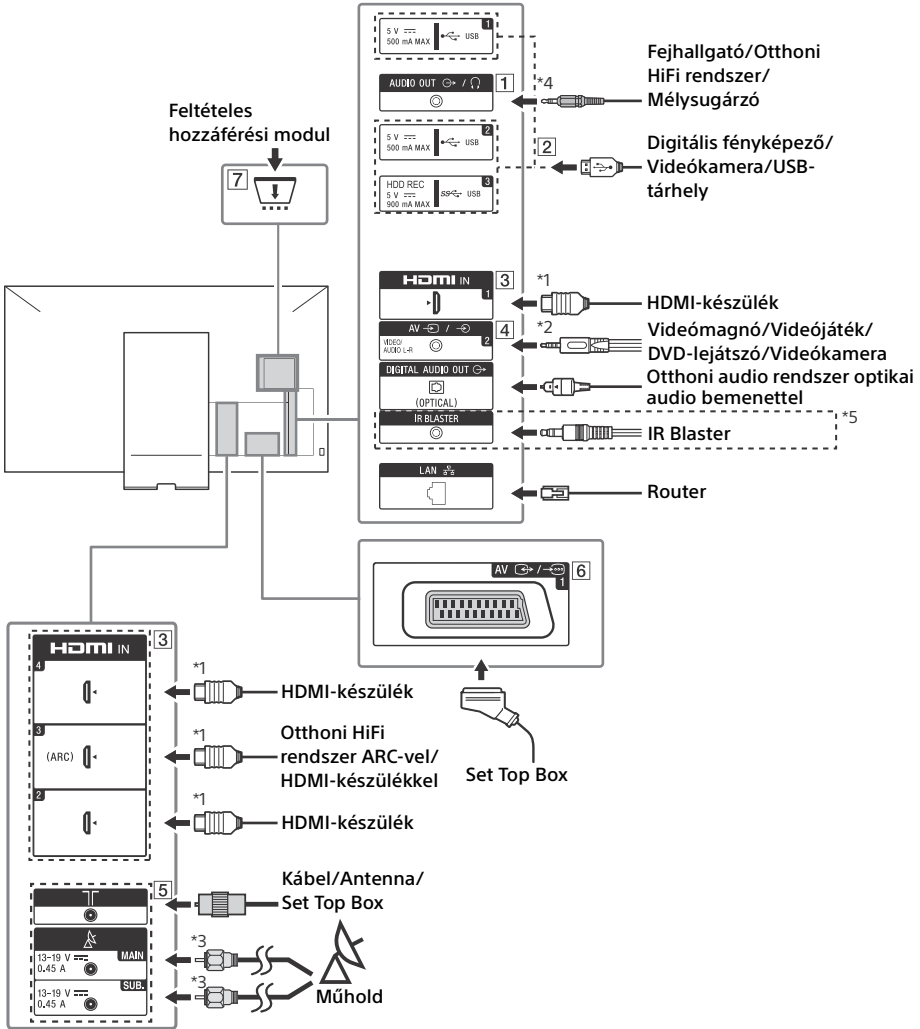
Az éppen megtekintett műsor USB HDD-rögzítő funkcióval való felvétele.

TITLE LIST

A címlista megjelenítése.

Csatlakoztatási ábra

A csatlakozásokkal kapcsolatban további információkat a Súgóútmutatóban talál (2. oldal).



1 AUDIO OUT *4

- A televíziókészülék hangjának a csatlakoztatott készüléken keresztül történő hallgatásához nyomja meg a **HOME** gombot. Válassza a [Beállítások] → [Hang] → [Fejhallgató/Hang kimenet] lehetőségeket, majd válassza ki a kívánt elemet.

2 **USB 1/2, *SS* USB 3 (HDD REC)*5**

- Egy nagyobb USB-eszköz csatlakoztatása zavarhatja a közelében lévő többi csatlakoztatott eszközt.
- Amikor egy nagyobb USB-eszközt csatlakoztat, csatlakoztassa az USB 1 aljzatba.

3 **HDMI IN 1/2/3/4**

- Az Audio Return Channel (ARC) technológiával kompatibilis digitális audiorendszerek csatlakoztatásakor használja a HDMI IN 3 aljzatot. Ha nem így tesz, egy további kapcsolatra is szükség lesz a DIGITAL AUDIO OUT (OPTICAL) csatlakozóval.

4 **AV 2**

- Kompozit jel csatlakoztatásához a mellékelt Analogue Extension Cable*5 kábelt használja.

5 **(RF-bemenet), (Műholdas bemenet)**

- Földi/kábeles és műholdas csatlakozások. Csatlakoztatás lépései: MAIN → Antenna → SUB.
- A SUB. csatlakozót csak akkor csatlakoztassa, ha ikertuneres üzemmódot használ az egykábeles jelszétosztó rendszer EN50494 kivételével.

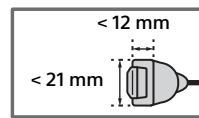
6 **AV 1**

- SCART-kábelt használjon a csatlakozáshoz. Analóg dekóder csatlakoztatása esetén a televíziókészülék hangolóegysége a dekóderre továbbítja a kódolt jelet, és a televíziókészülék a dekódolt jelet kapja vissza.

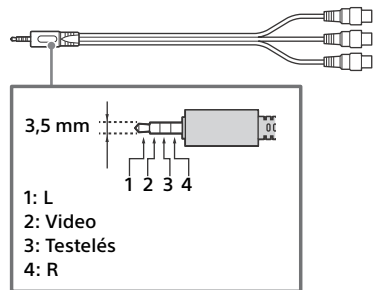
7 **CAM (feltételes hozzáférési modul)**

- Hozzáférést biztosít a fizetős televíziószolgáltatásokhoz. A részleteket lásd a CAM mellékelt használati útmutatójában.
- Az intelligens kártyát ne helyezze közvetlenül a televíziókészülék CAM kártyahelyére. Egy hivatalos kereskedő által biztosított feltételes hozzáférési modulba kell beilleszteni.
- A CAM előfizetői kártya egyes országokban/régiókban nem támogatott. Érdeklődjön egy hivatalos kereskedőnél.
- Egy CAM üzenet jelenhet meg olyankor, amikor az internetes videóok használatát követően digitális műsorra vált.

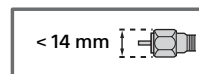
*1



*2



*3



*4 Csak a 3 pólusú sztereó mini dugaszt támogatja.

*5 Csak egyes régiókban/országokban/tv-modellekben.

A tv felszerelése a falra

A tv-készülék használati útmutatója csak a tv-készülék falra történő felszerelésének előkészületeire vonatkozó lépéseket tartalmazza.

Vásárlóink figyelmébe:

Termék- és baleset-biztonsági okokból a Sony azt tanácsolja, hogy a tv-készülék üzembe helyezését Sony viszonteladó vagy alvállalkozó hajtsa végre. Ne kísérelje meg a termék önálló felszerelését.

Sony viszonteladók és alvállalkozók figyelmébe:

A termék üzembe helyezésekor, rendszeres karbantartásakor és vizsgálatokor maradéktalanul tartson be minden biztonsági óvintézkedést.

A készülék felszerelése megfelelő szaktudást igényel, különösen a tv-készülék súlyát tartó fal teherbírásának megállapítását illetően. A készülék falra rögzítését mindig bízza Sony viszonteladóra vagy alvállalkozóra, és szereléskor ügyeljen a biztonságra. A Sony nem vállal felelősséget a gondatlan vagy szakszerűtlen szerelésből eredő személyi sérülésekért vagy anyagi károkért.

A tv-készülék falra szereléséhez használja az SU-WL450 (nincs mellékelve) (KD-65ZD9) fali konzolt. A fali konzol felszerelésekor olvassa el a fali konzolhoz mellékelt Kezelési utasítást és Felszerelési útmutatót is.

Megjegyzés

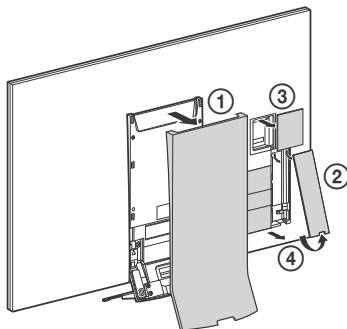
- Az eltávolított csavarokat biztos helyen, gyermekek elől elzárva tárolja.



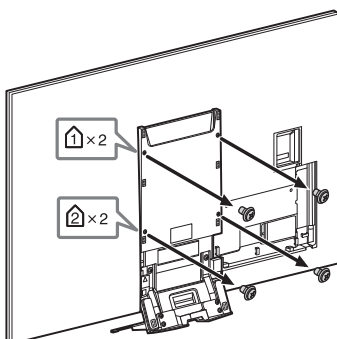
Az Ön TV-készülékének fali konzolra szerelésével kapcsolatos útmutatást a következő honlapon találja:
www.sony.eu/tv/wall-mount-bracket-manual

Csak a KD-65ZD9 esetén

1 Vegye le az oldalsó, belső, felső és középső fedelet.



2 Távolítsa el a TV hátulján található csavarokat.



Csak a KD-75ZD9 esetén

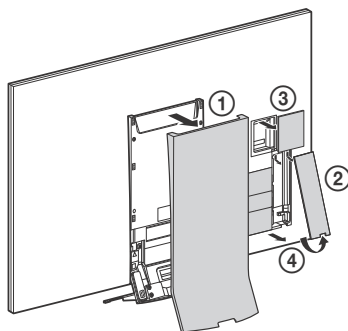
A TV-készüléket a csomagolásból kivéve a fali konzolra (külön megvásárolható) lehet szerelni. A kábelek csatlakoztatása előtt készítse elő a TV-készüléket a fali konzolra szereléshez.

Termék- és baleset-biztonsági okokból a Sony azt tanácsolja, hogy a tv-készülék falra szerelését képzett szakember hajtsa végre. Ne kísérelje meg a termék önálló felszerelését.

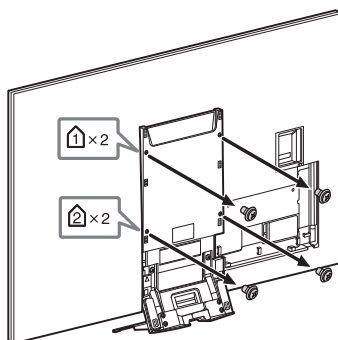
- Kövesse az utasításokat a típushoz megfelelő fali konzolhoz mellékelt használati útmutatóban. A tv felszerelése megfelelő szaktudást igényel, különösen a tv-készülék súlyát tartó fal teherbírásának megállapítását illetően.
- A nem használt csavarokat és asztali állványt biztonságos helyen tárolja addig, amíg készen nem áll az asztali állvány rögzítésére. A csavarokat kisgyerekek elől tartsa elzárva.

Csak a KD-75ZD9 esetén

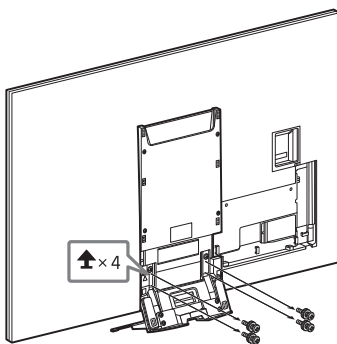
- 1 Vegye le az oldalsó, belső, felső és középső fedelet.



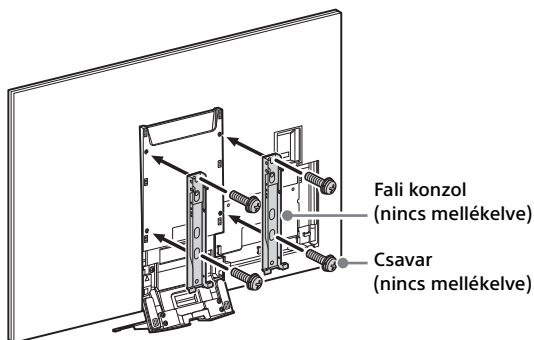
- 2 Távolítsa el a TV hátulján található csavarokat.



3 Válassza le az asztali állványt a televíziókészülékről.



4 Szerelje fel a fali konzolt (nincs mellékelve) a csavarokkal (nincs mellékelve).



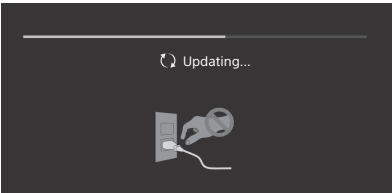
Megjegyzés

- Ha elektromos csavarbehajtót használ, a nyomatékot kb. 1,5 N·m (15 kgf·cm) értékre állítsa.

Hibaelhárítás

A tv-készülék szoftverének naprakészen tartásához le kell töltenie a legújabb szoftverinformációkat a digitális sugárzási rendszeren vagy az interneten keresztül, és frissítenie kell a szoftvert. Válassza a [Frissítés most] lehetőséget a szoftverfrissítés elindításához. A LED jelzőfény fehéren villog a szoftverfrissítés során.

A szoftver frissítése során a következő képernyő jelenik meg az alábbi szöveggel: [Updating...] (Frissítés...).



A szoftverfrissítés közben ne húzza ki a hálózati kábelt. Ha így tesz, előfordulhat, hogy a szoftverfrissítés nem fejeződik be teljesen, ami a szoftver meghibásodásához vezethet. A szoftverfrissítés akár 30 percig is tarthat. Ha nem szeretné automatikusan frissíteni a szoftvert, nyomja meg a **HOME** gombot, majd válassza a [Súgó] → [Rendszerszoftver-frissítés] → [Automatikus szoftverletöltés] → [Ki] lehetőséget.

Amikor csatlakoztatja a tv-készüléket, előfordulhat, hogy a tv-készülék egy ideig nem kapcsolható be, még akkor sem, ha megnyomja a bekapcsológombot a távvezérlőn vagy a tv-készüléken, mivel a rendszer inicializálásához időre van szükség. Várjon körülbelül egy percet, majd próbálja újra.

Amikor megnyomja a bekapcsológombot a távvezérlőn vagy a tv-készüléken, egy kis időbe telik, amíg a világítás LED és a távvezérlő bekapcsol.

Ha a világítás LED vörösen villog, számolja meg, hogy hányszor villan fel (a villanások között három másodperc van).

Ha a világítás LED vörösen villog, állítsa alaphelyzetbe a tv-készüléket a hálózati vezeték leválasztásával két percre, majd kapcsolja be a tv-készüléket.


Ha a probléma továbbra is fennáll, lépjen kapcsolatba a forgalmazóval vagy a Sony szervizközponttal, és mondja el, hogy a világítás LED hányszor villan fel vörösen (a villanások között három másodperc van). Válassza le a hálózati vezetékét, és értesítse a forgalmazót vagy a Sony szervizközpontot.

Ha a világítás LED nem villog, ellenőrizze a hibalehetőségeket az alábbi táblázatban.

Olvassa el a Súgó útmutató hibaelhárítás részét, vagy végezzen öndiagnosztikát a [Súgó] → [Öndiagnosztika] kiválasztásával. Ha a probléma továbbra is fennáll, javíttassa meg a TV-t egy szakemberrel.

Problémák és megoldások

Nincs kép (a képernyő sötét), nincs hang.

- Ellenőrizze az antenna/kábeltelevíziós kábel csatlakozását.
- Csatlakoztassa a tv-készüléket a hálózati feszültségre, majd nyomja meg a tv vagy a távvezérlő  gombját.

Egyes műsorok nem rögzíthetők.

- Ellenőrizze az antenna/kábeltelevíziós kábel csatlakozását.
- Elképzelhető, hogy zártatos a műholdkábel, esetleg a kábel nincs megfelelően csatlakoztatva. Ellenőrizze a kábel csatlakozását, és a hálózati tápellátás be-/kikapcsolójával kapcsolja ki, majd kapcsolja be újra a televíziókészüléket.
- A megadott frekvencia kívül esik a tartományon. Lépjen kapcsolatba a befogott műhold műsorszolgáltató vállalatával.

Nem található Kábel tv-s szolgáltatás (műsor).

- Ellenőrizze a kábelek csatlakozását vagy a hangolási konfigurációt.
- A [Digitális automatikus hangolás] megkísérléséhez válassza az [Földi sugárzású] lehetőséget a [Kábel] helyett.

A távvezérlő nem működik.

- Cserélje ki az elemeket.

Elfelejtette a [Gyermekzár (adás)] jelszavát.

- Írja be a 9999 PIN-kódot. Módosítsa a PIN-kódot a következőképpen: [Beállítások] → [Gyermekzár (adás)] → [PIN-kód módosítása].

A tv-készülék környezete felmelegszik.

- Ha a tv-készüléket hosszú ideig használja, a környezete felmelegszik. Ezt érezheti, ha odanyúl a kezével.

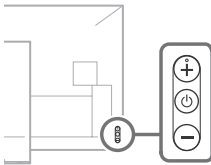
Megakadt hang vagy kép, üres képernyő, vagy a tv-készülék nem reagál a tv-készülék vagy a távirányító gombjaira.

- Hajtsa végre a tv-készülék alaphelyzetbe állítását. Ehhez húzza ki két percre az AC hálózati kábelt, majd csatlakoztassa újra.

A **⏻**, **+** és **-** gombok a TV-készüléken nem találhatóak meg.

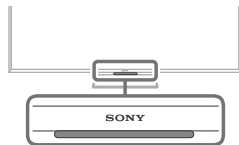
- A TV gombjainak helyével kapcsolatban tekintse meg az alábbi ábrát.

A TV hátulnézete



A világítás LED világít.

- Ha nem szeretné, hogy a világítás LED világítson, kikapcsolhatja. Nyomja meg a **HOME** gombot, majd válassza a [Beállítások] → [Világítás LED] → [Ki] lehetőséget.



Nem lehet csatlakozni a vezeték nélküli útvezetőhöz a WPS (Wi-Fi Protected Setup) segítségével.

- WEP biztonság használata esetén válassza az [Egyszerű] → [Wi-Fi] → [Csatlakozás keresési lista alapján] lehetőséget. Ezután válassza ki annak a hálózatnak a nevét (SSID), amelyhez csatlakozni kíván.

A hálózati beállításokban nem található a kért hálózati név.

- Válassza a [[Kézi beírás]] lehetőséget, és nyomja meg a **+** gombot a hálózati név megadásához.

Műszaki adatok

Rendszer

Megjelenítő típusa

LCD (folyadékkristályos kijelző) megjelenítő, LED-es háttér-megvilágítás

TV-rendszer

Országtól/területválasztástól/TV-modelltől függően

Analóg: B/G, D/K, L, I

Digitális: DVB-T/DVB-C

DVB-T2*

Műhold*: DVB-S/DVB-S2

Színrendszer

PAL, SECAM, NTSC3.58 (Csak videó), NTSC4.43 (Csak videó)

Fogható csatornák

Országtól/területválasztástól/TV-modelltől függően

Analóg: UHF/VHF/kábel

Digitális: UHF/VHF/kábel

Műhold*: 950-2150 MHz KF-frekvencia

Hangkimeneti teljesítmény

10 W + 10 W

Vezeték nélküli technológia

IEEE802.11ac/a/b/g/n protokoll

(Az országtól/régiótól függően előfordulhat, hogy az IEEE802.11ac nem érhető el.)

Bluetooth 4.1-es verzió

- * Nem minden TV rendelkezik DVB-T2 vagy DVB-S/S2 technológiával vagy műholdantenna-terminállal.

Bemeneti/kimeneti aljzatok

Antenna (légi)/kábel

75 Ohmos külső antennacsatlakozó VHF/UHF-hez

Műholdantenna

F típusú anya csatlakozó, 75 ohm.

DiSEqC 1.0, LNB 13 V/18 V és 22 kHz-es

kapcsolójelel, Egykábeles terjesztés EN50494.

AV 1

21 érintkezős SCART csatlakozó (CENELEC szabvány), ezen belül audio-, videobemenet, RGB bemenet, valamint tv audio-, videokimenet.

AV 2

Video/Audio bemenet (mini jack)

HDMI IN 1, 2, 3, 4 (támogatják a 4K felbontást, HDCP 2.2 kompatibilis)

Videó (2D):

4096 × 2160p (50, 60 Hz)*¹, *², 4096 × 2160p (24 Hz)*¹, 3840 × 2160p (50, 60 Hz)*², 3840 × 2160p (24, 25, 30 Hz), 1080p (30, 50, 60 Hz), 1080/24p, 1080i (50, 60 Hz), 720p (30, 50, 60 Hz), 720/24p, 576p, 576i, 480p, 480i, PC formátumok

*¹ 4096 × 2160p bemenet esetén a készülék 3840 × 2160p felbontást jelenít meg

*² Csak HDMI IN 2 / 3.

Videó (3D) (Csak 3D-kompatibilis modellek esetében):

Képkocka-csomagolás: 1080p (30Hz), 1080/24p, 1080i (50, 60Hz), 720p (30, 50, 60Hz), 720/24p

Egymás mellett: 1080p (50, 60Hz), 1080/24p, 1080i (50, 60Hz), 720p (50, 60Hz)

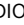

Egymás fölött: 1080p (30, 50, 60Hz), 1080/24p, 1080i (50, 60Hz), 720p (50, 60Hz)

Audio: 5,1 csatornás lineáris PCM: 32, 44,1, 48, 88,2, 96, 176,4 és 192 kHz, 16, 20 és 24 bit, Dolby Digital, Dolby Digital Plus és DTS

ARC (Audio Return Channel) (csak HDMI IN 3) (kétszatornás lineáris PCM, Dolby Digital, Dolby Digital Plus, DTS)

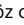
⊖ DIGITAL AUDIO OUT (OPTICAL)

Digitális optikai csatlakozó (kétszatornás lineáris PCM, Dolby Digital, DTS)

AUDIO OUT  /  (sztereó mini jack)

Fejhallgató, hangkimenet, mélynyomó

•  1, •  2, **SS**  3 (HDD REC)*¹

USB-eszköz csatlakozója (**SS**  3 USB HDD-eszköz a FELVÉTEL funkcióhoz)

Az 1. és 2. USB-port támogatja a High Speed USB (USB 2.0) szabványt.

A 3. USB-port támogatja a Super Speed USB (USB 3.0) szabványt.



Feltételes hozzáférési modul (CAM) nyílása

 LAN

10BASE-T/100BASE-TX csatlakozó (A hálózati környezettől függően a csatlakozási sebesség különbözhet. A 10BASE-T/100BASE-TX kommunikáció sebessége és minősége nem garantált e tv-készülék esetén.)

IR BLASTER *¹

IR Blaster-kábel bemenete (mini csatlakozó)

Egyebek

Külön megvásárolható tartozékok

Fali konzol: SU-WL450 (Csak a KD-65ZD9 esetén)

Vezeték nélküli Subwoofer: SWF-BR100

Aktív 3D szemüveg: TDG-BT500A



Üzemi hőmérséklet

0 °C és 40 °C között

Működési páratartalom

10 % – 80 % RH relatív páratartalom között (kicsapódás nélkül)

Tápellátás, adatlap és egyebek

Tápellátás

Besorolás: Bemenet: 220 V – 240 V AC, 50 Hz

Energiahatékonysági osztály

KD-75ZD9: B

KD-65ZD9: B

Képernyőméret (átlósan mérve) (Kb.)

KD-75ZD9: 189,3 cm / 75 hüvelyk

KD-65ZD9: 163,9 cm / 65 hüvelyk

Teljesítményfelvétel

[Normál] üzemmódban

KD-75ZD9: 259 W

KD-65ZD9: 210 W

[Élénk] üzemmódban

KD-75ZD9: 453 W

KD-65ZD9: 347 W

Átlagos éves energiafogyasztás*²

KD-75ZD9: 359 kWh

KD-65ZD9: 291 kWh

Készenléti üzemmódban*^{3*4}


0,50 W (27 W szoftver-/EPG-frissítési üzemmódban)

Kijelző felbontása

3 840 képpont (vízszintes) × 2 160 sor (függőleges)

Kimeneti áramerősség

USB 1/2: 5 V, , max. 500 mA

USB 3: 5 V, , max. 900 mA

Méretetek (Kb.) (szé × ma × mé)

asztali állvánnyal

KD-75ZD9: 168,4 × 104,7 × 27,8 cm

KD-65ZD9: 146,2 × 92,0 × 26,8 cm

asztali állvány nélkül

KD-75ZD9: 168,4 × 97,3 × 7,8 cm

KD-65ZD9: 146,2 × 84,7 × 7,8 cm

Tömeg (Kb.)

asztali állvánnyal
KD-75ZD9: 45,1 kg
KD-65ZD9: 35,7 kg

asztali állvány nélkül
KD-75ZD9: 41,3 kg
KD-65ZD9: 32 kg

*1 Csak egyes régiókban/országokban/tv-modellekben.

*2 Éves energiafogyasztás, amely adat olyan televíziókészülék teljesítményfelvételén alapul, amelyet 365 napon keresztül napjában 4 órát üzemeltetnek. A tényleges energiafogyasztás a televízió használati módjától függ.

*3 A megadott készenléti üzemmódot teljesítményfelvételt akkor éri el a tv-készülék, miután befejezte a szükséges belső folyamatokat.

*4 Ha a tv-készülék csatlakoztatva van a hálózathoz, a készenléti üzemmód energiafelhasználása megnő.

Megjegyzés

- A vakkártyát csak akkor vegye ki a TV CAM (Feltételes hozzáférési modul) kártyanyílásából, ha intelligens kártyát helyez be a CAM-kártyanyílásba.
- A külön megvásárolható tartozékok elérhetősége az országtól/régiótól/tv-típus/árúkkészlettől függ.
- A forma és a műszaki adatok előzetes bejelentés nélkül megváltozhatnak.


Megjegyzések a digitális tv-funkcióról

- Minden digitális tv-adással (DVB) kapcsolatos funkció csak azokban az országokban és régiókban működik, ahol DVB-T/DVB-T2 (MPEG-2 és H.264/MPEG-4 AVC) digitális jeleket továbbítanak földi műsorszórással, illetve ahol hozzáféréssel rendelkezik egy kompatibilis DVB-C (MPEG-2 és H.264/MPEG-4 AVC) kábeltelevíziós szolgáltatáshoz. Érdeklődjön kereskedőjénél, hogy sugároznak-e DVB-T/DVB-T2 jeleket a lakóhelyén, vagy kérdezze meg kábeltelevíziós szolgáltatóját, hogy az általa szolgáltatott DVB-C jellel tudja-e használni a készülékét.
- A kábeltelevízió-szolgáltató esetleg díjat számolhat fel a szolgáltatásért, vagy megköveteli Öntől, hogy elfogadja szerződéses feltételeit.
- A tv-készülék megfelel a DVB-T/DVB-T2 és DVB-C előírásoknak, azonban a kompatibilitást nem garantáljuk a jövőbeli DVB-T/DVB-T2 digitális földi és DVB-C digitális kábeltelevíziós adásokkal.

- Néhány digitális tv-funkció esetleg nem érhető el bizonyos országban, körzetben, és a DVB-C rendszer egyes kábeltelevízió-szolgáltatók esetén nem működik megfelelően.

Védjegyekkel kapcsolatos információk

- A HDMI és a HDMI High-Definition Multimedia Interface kifejezés, illetve a HDMI embléma a HDMI Licensing LLC védjegye vagy bejegyzett védjegye az Amerikai Egyesült Államokban és más országokban.
- A gyártás a Dolby Laboratories licencengedélyével történt. A Dolby, Dolby Audio és dupla D szimbólum a Dolby Laboratories védjegyei.
- A „BRAVIA” és a BRAVIA a Sony Corporation védjegyei.
- A Gracenote, a Gracenote eyeQ, a Gracenote VideoID, a Gracenote Video Explore, a Gracenote embléma és a „Powered by Gracenote” embléma a Gracenote védjegye vagy bejegyzett védjegye az Egyesült Államokban és/vagy más országokban.
- Opera® Devices SDK from Opera Software ASA. Copyright 1995-2015 Opera Software ASA. All rights reserved.
- Wi-Fi, a Wi-Fi Direct, a Miracast, a Wi-Fi Protected Setup és a Wi-Fi CERTIFIED embléma a Wi-Fi Alliance védjegye vagy bejegyzett védjegye.
- DTS-szabadalmakról lásd a <http://patents.dts.com> webhelyet. Készült a DTS, Inc. licence alapján. A DTS, a szimbólum, illetve a DTS és a szimbólum együttesen bejegyzett védjegyek, a DTS Digital Surround a DTS, Inc. védjegye. © DTS, Inc. Minden jog fenntartva.
- A QuickSet és a QuickSet logó az Universal Electronics Inc. kereskedelmi védjegye. Portions © UEI 2000-2015
- A Bluetooth® jelzés és emblémák a Bluetooth SIG, Inc. bejegyzett védjegyei, a Sony Corporation ezeket licenccmegállapodás keretében használja. A többi védjegy és kereskedelmi megnevezés a megfelelő tulajdonosok tulajdona.

- A DiSEqC™ az EUTELSAT védjegye.
Ez a televíziókészülék támogatja a DiSEqC 1.0 szabványt. Ez a televíziókészülék nem motoros antennák vezérlésére lett tervezve.
- A TUXERA a TUXERA Inc. bejegyzett védjegye az Egyesült Államokban és más országokban.
- Az USB-IF SuperSpeed USB Trident embléma az USB Implementers Forum, Inc. bejegyzett védjegye. 

Cuprins

INFORMAȚIE IMPORTANTĂ	2
Informații privind siguranța	3
Măsuri de precauție	5
Părți componente și comenzi	7
Comenzi și indicatoare	7
Utilizarea telecomenzii	8
Telecomandă - Descrierea părților componente	8
Schema de conexiuni	10
Montarea televizorului pe perete	12
Numai KD-75ZD9	14
Depanare	16
Probleme și soluții	16
Specificații	17

Introducere

Vă mulțumim că ați ales acest produs Sony.
Înainte de a utiliza televizorul, vă rugăm să citiți cu atenție acest manual, după care să îl păstrați pentru a-l putea consulta ulterior.

Notă

- Înainte de a utiliza televizorul, vă rugăm să citiți „Informații privind siguranța” (pagina 3).
- Imaginile și ilustrațiile utilizate în Ghidul de configurare și în acest manual au scop doar de referință și pot diferi față de produsul real.

Amplasarea Ghidului de configurare

Ghidul de configurare este amplasat pe partea de sus a ambalajului de protecție din cutia televizorului.

Ghid de asistență

Funcția Ajutor oferă multe informații despre TV. Pentru a utiliza funcția Ajutor, apăsați **HELP** de pe telecomandă. Puteți găsi sfaturi de utilizare și de diagnosticare în listă utilizând căutarea vocală sau cu ajutorul cuvintelor cheie. Selectați [Ghid de asistență] din Meniul de Ajutor pentru a vizualiza manualul. În cazul în care conectați TV-ul la internet, funcția și informațiile de Ajutor vor fi actualizate.

Unde se află eticheta de identificare

Etichetele cu numărul modelului, data fabricației (an/lună) și tensiunea de alimentare se află în partea posterioară a televizorului sau pe ambalaj. Acestea pot fi găsite prin demontarea capacului central.

ATENȚIE

PENTRU A ÎMPIEDICA
RĂSPÂNDIREA
INCENDIILOR, PĂSTRAȚI
LUMÂNĂRILE ȘI ALTE FLĂCĂRI
DESDHISE DEPARTE DE ACEST
PRODUS, ÎNTOTDEAUNA.



INFORMAȚIE IMPORTANTĂ

Producătorul acestui aparat este: Sony Corporation, 1-7-1 Konan Minato-ku Tokyo, 108-0075 Japonia. Întrebări legate de conformitatea aparatului cu legislația Uniunii Europene pot fi adresate: Sony Belgium, bijkantoor van Sony Europe Limited, Da Vincilaan 7-D1, 1935 Zaventem, Belgia. Pentru orice întrebări legate de service sau de garanție, vă rugăm să consultați documentele de garanție ce însoțesc aparatul.

Notă privind semnalele fără fir (wireless)



Prin prezenta, Sony Corporation, declară că această unitate respectă cerințele esențiale și este în conformitate cu prevederile Directivei 1999/5/EC.
Pentru detalii, vă rugăm accesați următoarea adresă:
<http://www.compliance.sony.de/>

Notificare către clienți: informațiile de mai jos sunt valabile numai pentru echipamentele comercializate în țările unde se aplică directivele UE.

Sistemul TV fără fir poate fi utilizat în următoarele țări:

AT, BE, HR, CY, CZ, DK, EE, FI, FR, DE, GR, HU, IE, IT, LV, LT, LU, MT, NL, PL, PT, SK, SI, ES, SE, GB, IS, LI, NO, CH, BG, RO, TR, AL, BA, MK, MD, RS, ME, Kosovo

Acest echipament poate funcționa în alte țări non-UE.

Informații privind siguranța

ATENȚIE

Bateriile nu trebuie expuse la căldură excesivă, precum lumina solară, foc sau surse de căldură similare.

Nu așezați niciodată televizorul pe o suprafață instabilă. Acesta poate cădea și poate cauza vătămări corporale grave sau deces. Multe accidente, mai ales cele suferite de către copii, pot fi prevenite prin luarea câtorva măsuri de siguranță elementare, cum ar fi:

- Utilizați comodele sau măsuțele recomandate de către producătorul televizorului.
- Utilizați numai piese de mobilier care pot susține în siguranță televizorul.
- Aveți grijă ca televizorul să nu depășească marginea piesei de mobilier pe care este așezat.
- Nu așezați televizorul pe piese de mobilier înalte (de exemplu, dulapuri sau biblioteci) fără a ancora de un suport adecvat atât piesa de mobilier, cât și televizorul.
- Nu așezați televizorul pe milieuri, fețe de masă sau alte materiale textile aflate între televizor și piesa de mobilier pe care acesta este amplasat.
- Explicați-le copiilor pericolele la care se pot expune dacă se urcă pe mobilă pentru a ajunge la televizor sau la butoanele de comandă.

Măsurile de siguranță de mai sus trebuie luate și în cazul în care mutați televizorul într-un alt loc în vederea depozitării.

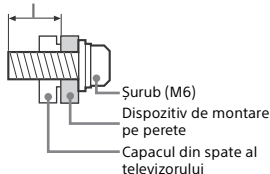
Instalare/Configurare

Instalați și utilizați televizorul conform instrucțiunilor prezentate în continuare, pentru a evita riscurile de incendii, șocurile electrice sau deteriorări/răniri.

Instalarea

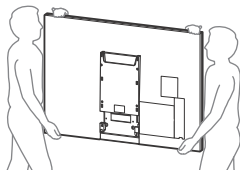
- Televizorul trebuie instalat în apropierea unei prize ușor accesibile.
- Așezați televizorul pe o suprafață dreaptă și stabilă, pentru a evita căderea acestuia și vătămarea corporală sau pagubele materiale.
- Instalați televizorul într-un loc de unde nu poate fi tras, împins sau răsturnat.
- Instalarea televizorului pe perete trebuie executată numai de către persoane calificate.
- Din motive de siguranță, se recomandă cu insistență utilizarea accesoriilor Sony, inclusiv:
Dispozitiv de montare pe perete
— SU-WL450 (Numai KD-65ZD9)
- Asigurați-vă că folosiți șuruburile furnizate cu dispozitivul de montare pe perete atunci când montați dispozitivul de montare pe perete la aparatul TV. Șuruburile furnizate sunt indicate conform ilustrației atunci când măsurarea se face de la suprafața de montare a dispozitivului de montare pe perete. Diametrul și lungimea șuruburilor diferă în funcție de modelul dispozitivului de montare pe perete. Utilizarea altor șuruburi decât a celor furnizate poate avea ca rezultat deteriorarea internă a televizorului sau căderea acestuia, etc.

10 mm - 12 mm



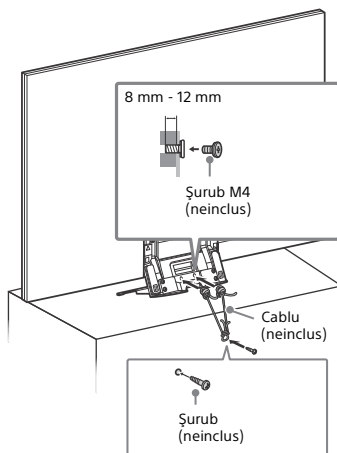
Transportul

- Înainte de a deplasa televizorul, decuplați toate cablurile.
- La transportul unui televizor de mari dimensiuni, este recomandată participarea a două sau trei persoane.
- Când transportați manual aparatul TV, susțineți-l așa cum este prezentat mai jos. Nu forțați panoul LCD sau cadrul din jurul ecranului.



- Feriți televizorul de șocuri mecanice și de vibrații prea puternice în timpul transportului.
- Când duceți aparatul la reparat sau când vă mutați, împachetați-l în ambalajul original.

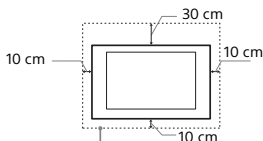
Asigurarea stabilității



Ventilație

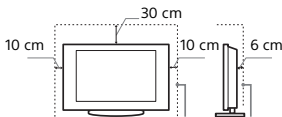
- Nu acoperiți niciodată fantele de aerisire și nu introduceți obiecte în interiorul carcasei aparatului.
- Lăsați suficient spațiu în jurul televizorului, așa cum este indicat mai jos.
- Se recomandă cu insistență să utilizați dispozitivul de montare pe perete furnizat de firma Sony, pentru că acesta asigură o ventilație adecvată.

Instalarea pe perete



Lăsați cel puțin atât spațiu în jurul televizorului.

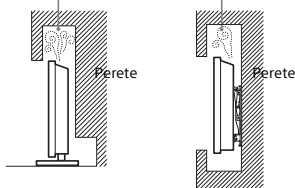
Instalarea pe un suport



Lăsați cel puțin atât spațiu în jurul televizorului.

- Pentru a asigura o ventilație corespunzătoare și a evita adunarea prafului și a murdăriei:
 - Nu așezați televizorul culcat, cu susul în jos, pe spațiu sau lateral.
 - Nu puneți televizorul pe un raft, pe covor, în pat sau într-un dulap.
 - Nu acoperiți televizorul cu materiale textile, de exemplu cu o draperie, și nici cu alte obiecte, de exemplu ziare etc.
 - Nu instalați televizorul așa cum este arătat mai jos.

Circulația aerului este blocată.



Cablul de alimentare

Pentru a evita riscul de incendii, șocuri electrice sau deteriorări și răniri, manevrați cablul de alimentare și ștecherul respectând următoarele:

- Utilizați exclusiv un cablu de alimentare marca Sony, nu de la alte firme.
- Introduceți complet ștecherul în priză.
- Acest aparat poate funcționa doar la tensiuni de 220 V – 240 V, curent alternativ.
- Când conectați alte cabluri, aveți grijă să decuplați cablul de alimentare, pentru siguranța dvs., și aveți grijă să nu vă încurcați picioarele între cabluri.
- Decuplați cablul de alimentare de la priză înainte de a deplasa sau de a deplasa televizorul.
- Țineți cablul de alimentare la distanță de sursele de căldură.
- Decuplați ștecherul cablului de alimentare de la priză și curățați-l cu regularitate. Dacă există praf pe ștecher și acesta se umezește, este posibil ca izolația să fie deteriorată, ceea ce poate duce la declanșarea de incendii.

Notă

- Nu utilizați la alte echipamente cablul de alimentare furnizat.
- Nu găuriți, nu îndoiți și nu răscuțiți excesiv cablul de alimentare. Firele din interior se pot deziola sau se pot rupe.
- Nu modificați cablul de alimentare.
- Nu așezați obiecte grele pe cablul de alimentare.
- Nu trageți de cablul propriu-zis pentru decuplarea aparatului de la priză.
- Nu conectați prea multe aparate la aceeași priză de rețea.
- Nu utilizați un ștecher care nu se potrivește cu priză.

Moduri interzise de utilizare

Nu instalați/nu utilizați televizorul în locații, medii înconjurătoare sau situații de genul celor prezentate mai jos, deoarece este posibil ca televizorul să producă incendii, șocuri electrice, deteriorări și/sau leziuni.

Locații:

- În exterior (la lumină solară directă), pe malul mării, pe o navă sau barcă, în interiorul unui vehicul, în instituții medicale, în locuri instabile, în apropierea apei, în locuri supuse la ploaie, umezeală sau fum.

Medii:

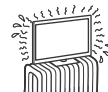
- Locuri unde este foarte cald sau umed, unde există mult praf; în spații unde există insecte care pot pătrunde în interior; în locații unde poate fi supus la vibrații mecanice, în apropierea unor obiecte cu flăcări deschise (lumânări, etc). Televizorul nu trebuie expus la picături sau stropire, și nu trebuie așezate deasupra lui recipiente ce conțin lichide, de exemplu vase.

Situații:

- Utilizare în cazul în care aveți mâinile ude, cu carcasa demontată, sau când există dispozitive atașate care nu au fost recomandate de producător. Decuplați televizorul de la priză, precum și antena de exterior în timpul furtunilor.
- Instalare TV astfel încât să iașă în afară într-un spațiu deschis. Se pot produce vătămări corporale sau există pericolul ca televizorul să fie lovit de diverse obiecte.



- Amplasare TV într-un spațiu cu umiditate sau praf sau într-o încăpere cu fum sau abur cu grăsimi (în apropierea spațiilor de gătit sau a umidificatoarelor). Se pot produce incendii, șocuri electrice sau deteriorări.
- Instalare TV în spații expuse la temperaturi extreme, precum în lumina directă a soarelui, în apropierea unui radiator sau a unei surse de căldură. Este posibil ca televizorul să se supraîncălzească într-o astfel de situație lucru ce poate duce la deformarea carcasei și/sau la defectarea televizorului.



- În cazul în care televizorul este așezat în vestiarul unei băi publice sau a unor băi termale, televizorul se poate defecta din cauza sulfului din atmosferă, etc.



- Pentru o calitate optimă a imaginii, nu expuneți ecranul la iluminare sau lumină solară directă.
- Evitați mutarea televizorului dintr-o zonă răcoasă în alta caldă. Modificările bruște de temperatură ambientală pot crea condens. Aceasta poate duce la distorsionarea imaginii televizorului și/sau la culori estompate. Dacă aceasta este situația, înainte de a conecta din nou televizorul la rețeaua de alimentare, permiteți evaporarea completă a umezelii.

Părți componente sparte:

- Nu aruncați obiecte spre televizor. Sticla ecranului se poate sparge la impact, cauzând răniri grave.
- Dacă se sparge carcasa televizorului, nu o atingeți înainte de a decupla cablul de alimentare de la priză. În caz contrar, se pot produce șocuri electrice.

Când aparatul nu este utilizat

- Dacă nu utilizați televizorul câteva zile, decuplați-l de la rețea din motive ecologice și de siguranță.
- Deoarece televizorul nu este decuplat de la rețea dacă este doar oprit, scoateți ștecherul din priză pentru deconectarea completă.
- Unele televizoare pot dispune de opțiuni pentru a căror utilizare este necesar ca televizorul să fie lăsat în standby pentru a funcționa corespunzător.

Pentru copii

- Nu lăsați copiii să se cațere pe televizor.
- Nu lăsați accesoriile de mici dimensiuni la îndemâna copiilor, deoarece pot fi înghițite accidental.

În cazul în care apar următoarele probleme...

Opriți și decuplați imediat aparatul de la priză dacă survine vreuna dintre problemele prezentate mai jos.

Solicitați dealer-ului dvs. sau unui centru de service Sony ca o persoană calificată să verifice televizorul.

Când:

- Este deteriorat conductorul de rețea.
- Ștecherul nu se potrivește cu priză.
- Televizorul a fost deteriorat prin cădere, lovire sau izbire cu un alt obiect.
- Vreun obiect sau lichid a pătruns în interiorul carcasei.

Despre temperatura televizorului LCD

Când televizorul LCD este utilizat pentru o perioadă îndelungată, zonele din jurul panoului se încălzesc. Este posibil ca zonele respective să fie fierbinți la pipăit.

Măsurile de precauție

Vizionarea la televizor

- Asigurați o iluminare moderată a camerei, deoarece nu este recomandată vizionarea televizorului o perioadă îndelungată de timp, în condiții de iluminare scăzută, deoarece vă poate fi afectată vederea.
- Când utilizați căștile, evitați audierea la un nivel ridicat al volumului, deoarece vă poate fi afectat auzul.

(Numai modele compatibile 3D)

- Unele persoane pot avea probleme de disconfort (precum oboseală vizuală, extenuare sau amețeli) în timpul vizionării imaginilor video 3D sau al practicării jocurilor video 3D. Sony recomandă ca toți telespectatorii să ia pauze regulate în timpul urmării imaginilor video 3D sau al practicării jocurilor video 3D. Durata și frecvența pauzelor necesare va varia de la o persoană la alta. Alegerea soluției optime vă aparține. Dacă aveți senzații de disconfort, trebuie să sistați urmărirea imaginilor video 3D sau practicarea jocurilor video 3D până la dispariția senzațiilor; consultați un medic, dacă considerați necesar. De asemenea, consultați (i) manualul de instrucțiuni al oricărui alt dispozitiv sau suport utilizat cu acest televizor și (ii) site-ul nostru Web (www.sony.eu/support) pentru cele mai recente informații. Vederea copiilor mici (mai ales a celor sub șase ani) este încă în dezvoltare. Consultați-vă medicul (un pediatru sau un oftalmolog) înainte de a permite copiilor să urmărească imagini video 3D sau să joace jocuri video 3D. Adulții trebuie să-i supravegheze pe copii, pentru a se asigura că respectă recomandările de mai sus.
- Nu utilizați, nu depozitați și nu lăsați ochelari 3D sau bateria în apropierea surselor de foc sau în locuri cu temperaturi ridicate, de exemplu, în lumina directă a soarelui sau în mașini încălzite la soare.

Ecranul LCD

- Deși ecranul LCD este produs folosindu-se o tehnologie de înaltă precizie și 99,99 % sau mai mult dintre pixelii funcționează, este posibilă existența unor minuscule puncte negre sau a unor luminoase (roșii, albastre sau verzi) care să apară în mod constant pe ecranul LCD. Aceasta este o proprietate structurală a ecranului LCD și nu constituie o disfuncționalitate.
- Nu împingeți și nu zgâriați filtrul frontal, și nu așezați obiecte pe partea de sus a acestui televizor. Imaginea poate deveni neuniformă sau ecranul LCD se poate deteriora.
- Dacă televizorul este utilizat într-un loc cu temperatură scăzută, poate apărea un efect de prelungire neregulată a liniilor orizontale, sau imaginea poate deveni întunecată. Aceasta nu reprezintă o defecțiune. Fenomenul va dispărea pe măsură ce temperatura crește.
- Pot apărea imagini remanente în cazul în care sunt afișate în mod continuu imagini statice. Acestea pot să dispară după câteva momente.
- Ecranul și carcasa se încălzesc când televizorul este în uz. Aceasta nu reprezintă o disfuncționalitate.
- Ecranul LCD conține o cantitate mică de cristale lichide. Respectați instrucțiunile și regulamentele locale în vigoare cu privire la dezafectarea echipamentului.

Manevrarea și curățarea suprafeței ecranului/ carcasei televizorului

Decuplați cablul de alimentare de la priză înainte de a curăța televizorul.

Pentru a evita degradarea materialului sau deteriorarea acoperirii ecranului, respectați următoarele măsuri de precauție.

- Pentru a îndepărta praful de pe ecran și carcasă, ștergeți ușor cu o bucată de pânză moale. Dacă praful este persistent, ștergeți cu o pânză moale, ușor umezită într-o soluție slabă de detergent.
- Nu pulverizați niciodată apă sau detergent direct pe televizor. Poate să picure în partea de jos a ecranului sau pe componentele exterioare și să pătrundă în televizor, provocând astfel defecțarea televizorului.
- Nu utilizați niciodată pastă abrazivă, substanțe de curățare alcaline/acide, praf de curățat sau solvenți volatili, cum ar fi alcoolul, benzina, diluantul sau insecticidele. Utilizarea unor astfel de materiale sau contactul prelungit cu materiale din cauciuc sau vinil poate duce la daune ale suprafeței ecranului și materialului carcasei.
- Nu atingeți ecranul televizorului dacă aveți substanțe chimice pe mâini, de exemplu cremă de mâini sau cremă de protecție solară.
- Se recomandă aspirarea periodică a orificiilor de ventilare pentru a asigura ventilarea corespunzătoare.
- Când ajustați unghiul de vizionare al televizorului, deplasați lent aparatul, pentru a evita desprinderea sau alunecarea de pe suportul său stabil.

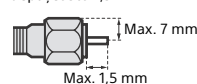


Echipamentul opțional

- Păstrați componentele opționale sau oricare alte dispozitive care emit radiații electromagnetice la distanță de televizor. În caz contrar, pot apărea distorsiuni și/sau zgomot.
- Acest echipament a fost testat și confirmat că este în conformitate cu limitele stabilite prin Directiva EMC pentru utilizarea cablului de conexiune pentru semnal, mai scurt de 3 metri.

Recomandare privind mufa de tip F

Proiecția firului interior de la partea de conexiune nu trebuie să depășească 1,5 mm.



(Desen de referință al mufei de tip F)

Funcționarea fără fir a unității

- Nu utilizați acest aparat în apropierea echipamentelor medicale (stimulator cardiac, etc.), deoarece poate cauza funcționarea defectuoasă a echipamentului medical.
- Cu toate că această unitate transmite/recepționează semnale codate, trebuie să fiți atenți la interceptările neautorizate. Nu ne asumăm responsabilitatea pentru eventualele probleme care pot apărea.

Măsuri de precauție la manipularea telecomenzii

- Respectați polaritatea corectă când introduceți bateriile.
- Nu utilizați baterii de tip diferit și nu amestecați baterii vechi cu unele noi.
- Dezafectați bateriile în mod ecologic. Este posibil ca, în anumite regiuni, reciclarea bateriilor să fie reglementată prin lege. Vă rugăm consultați autoritățile dvs. locale.
- Manevrați telecomanda cu grijă. Nu o scăpați pe jos, nu călcați pe ea și nici nu vărsați vreun lichid peste aceasta.
- Nu puneți telecomanda într-un loc apropiat de o sursă de căldură, în bătaia directă a razelor soarelui, sau într-o încăpere umedă.

Dezafectarea televizorului



Dezafectarea echipamentelor electrice și electronice vechi (Se aplică pentru țările membre ale Uniunii Europene și pentru alte țări europene cu sisteme de colectare separată)

Acest simbol aplicat pe produs sau pe ambalajul acestuia, indică faptul că acest

produs nu trebuie tratat ca pe un deșeu menajer. El trebuie predat punctelor de reciclare a echipamentelor electrice și electronice.

Asigurându-vă că acest produs este dezafectat în mod corect, veți ajuta la prevenirea posibilelor consecințe negative asupra mediului și a sănătății umane, dacă produsul ar fi fost dezafectat în mod necorespunzător. Reciclarea materialelor va ajuta la conservarea resurselor naturale. Pentru mai multe detalii legate de reciclarea acestui produs, vă rugăm să contactați primăria din orașul dumneavoastră, serviciul de salubritate local sau magazinul de unde ați cumpărat produsul.



Dezafectarea bateriilor uzate (aplicabil în Uniunea Europeană și alte țări europene cu sisteme de colectare separate)

Acest simbol marcat pe baterie sau pe ambalaj indică faptul că bateria acestui produs nu

trebuie considerată reziduu menajer. Pe anumite tipuri de baterii, acestui simbol i se pot asocia simbolurile anumitor substanțe chimice. Simbolurile pentru mercur (Hg) sau plumb (Pb) sunt adăugate, dacă bateria conține mai mult de 0,0005 % mercur sau 0,004 % plumb. Asigurându-vă că aceste baterii sunt eliminate corect, veți ajuta la prevenirea consecințelor negative pentru mediu și pentru sănătatea umană, care, în caz contrar, pot fi provocate de către manipularea și eliminarea greșită a acestor baterii. Reciclarea acestor materiale va ajuta la conservarea resurselor naturale. În cazul produselor care pentru siguranță,

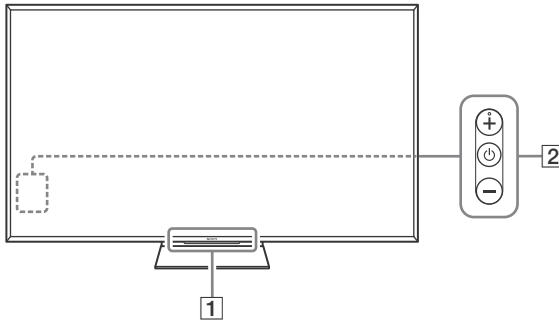
performanța sau integritatea datelor necesită o conexiune permanentă cu bateria încorporată, aceasta trebuie înlocuită numai de către personalul specializat din centrele de service.

Pentru a vă asigura că bateriile vor fi dezafectate corespunzător, predați produsul la sfârșitul duratei de funcționare la centrele de colectare pentru deșeuri electrice și electronice. Pentru celelalte tipuri de baterii, vă rugăm să consultați secțiunea în care este explicat modul neprimejdios de îndepărtare a bateriei din produs.

Predați bateria uzată la un centru de colectare și reciclare a bateriilor. Pentru mai multe detalii referitoare la reciclarea acestui produs sau a bateriei, vă rugăm să contactați primăria, serviciul de preluare a deșeurilor sau magazinul de unde ați achiziționat produsul.

Părți componente și comenzi

Comenzi și indicatoare



1 Senzor telecomandă*1 / Senzor de lumină*1 / LED de iluminare / Transmițător sincronizare 3D*1*2

LED-ul de iluminare se aprinde continuu sau intermitent, în funcție de starea televizorului.

- Alb
La pornirea televizorului/în modul fără imagine/actualizării software-ului etc.
- Bleu
La conectarea wireless cu un dispozitiv mobil.
- Roz*2
Mod înregistrare.
- Galben
Temporizatorul este setat.

2 ⏻ (Alimentare) / + / -

Dacă TV este oprit,
Apăsați ⏻ pentru pornire.

Dacă TV este pornit,
Apăsați ⏻ pentru oprire.
Apăsați ⏻ în mod repetat pentru a schimba funcția, apoi apăsați butonul + sau - pentru a:

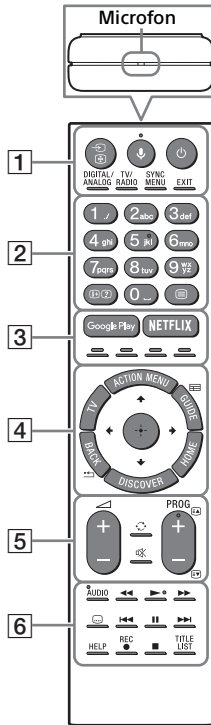
- Reglare volum
- Selectare canal
- Selectare sursă de intrare pentru TV

- *1 Nu poziționați nimic în apropierea senzorului.
*2 Numai pentru anumite țări/regiuni/modele de televizor.

Utilizarea telecomenzii

Telecomandă - Descrierea părților componente

Forma, amplasarea, disponibilitatea și funcționarea butoanelor telecomenzii pot varia în funcție de regiune/țară/modelul televizorului.



1 (Selectare intrare/Reținere text)

În modul TV: Afișați și selectați sursa de intrare.

În modul Text: Reține pagina curentă.

(Microfon)

Utilizați funcția Voce. (de ex., căutarea diferitelor elemente de conținut după voce.)

(TV standby)

Porniți sau opriți televizorul (mod standby).

DIGITAL/ANALOG

Comută între modul digital și modul analogic.

TV/RADIO

Comută între transmisiile TV sau RADIO.

SYNC MENU

Afișează meniul BRAVIA Sync.

EXIT

Revine la ecranul precedent sau părăsește meniul. Când este disponibil un serviciu de aplicație interactivă, apăsați pentru a părăsi serviciul.

2 Butoane numerice

/? (Afișare informații/text)

Afișează informații.

(Text)

Afișează informații de tip text.

3 Google Play

Accesează serviciul online „Google Play”.

NETFLIX (Numai pentru anumite țări/ regiuni/modele de televizor)

Accesează serviciul online „NETFLIX”.

Butoane colorate

Execută funcția corespunzătoare la momentul respectiv.

4 ACTION MENU

Afișează o listă de funcții contextuale.

TV

- Comutați la un canal TV sau la intrări de la alte aplicații.
- Porniți televizorul pentru a afișa canalul de televiziune sau pagina de internet.

GUIDE/

Afișează ghidul digital de programe.

BACK/

Rvine la ecranul precedent.

HOME

Afișează meniul principal al televizorului.

DISCOVER

Afișează bara de conținut pentru căutarea de conținut.

//// (Selectare element/ Introducere)

5 +/- (Volum)

Reglează volumul.

(Salt)

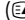
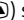
Se alternează între două canale sau intrări. Televizorul alternează între canalul sau intrarea curentă și canalul sau intrarea selectată anterior.

(Anulare sunet)

Reduce volumul sunetului la minimum. Apăsăți din nou pentru restabilirea sunetului.

PROG +/-//

În modul TV: Selectează canalul.

În modul Text: Selectează pagina următoare () sau cea precedentă ().

6 **AUDIO**

Modifică limba pentru programul vizualizat curent.

(Setări subtitrare)

Se activează sau se dezactivează subtitrarea (când funcția este disponibilă).



Operează conținutul media la televizor și la dispozitivul compatibil BRAVIA Sync conectat.

HELP

Afișează meniul de asistență. Ghidul de asistență poate fi accesat de aici.

REC

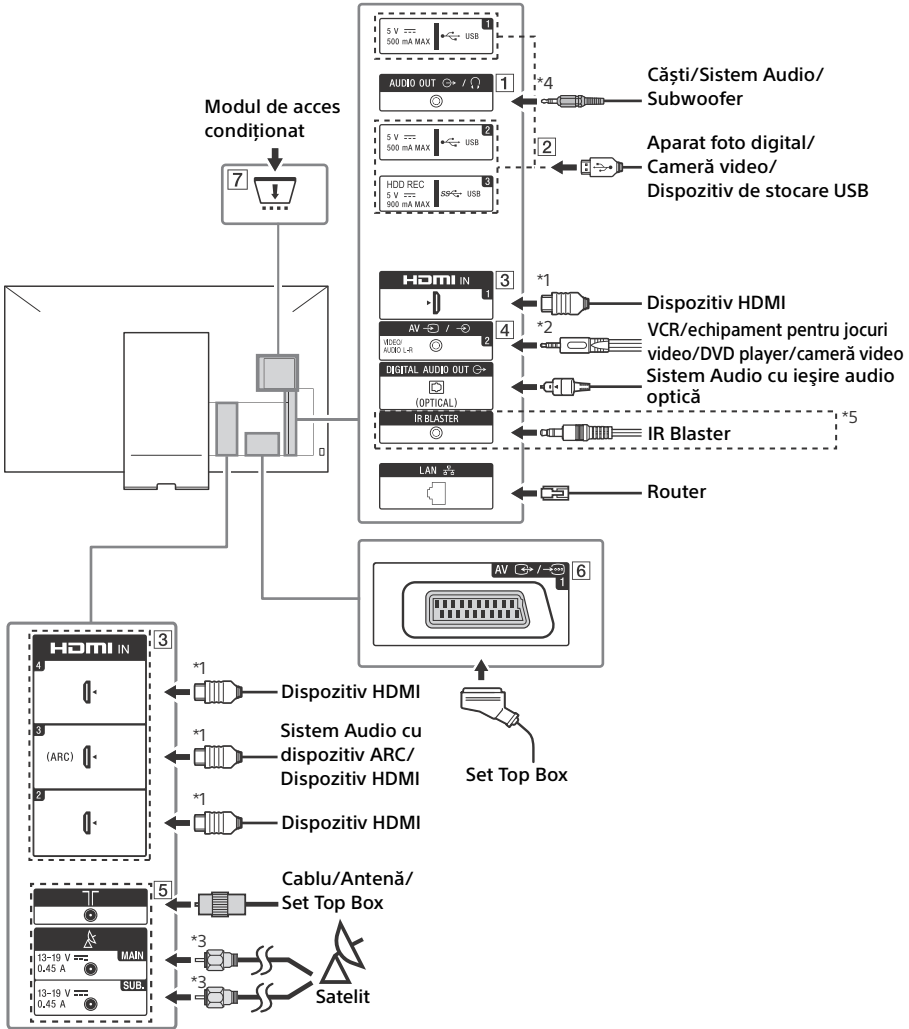
Înregistrează programul curent cu funcția de înregistrare USB HDD.

TITLE LIST

Afișează lista titlurilor.

Schema de conexiuni

Pentru mai multe informații despre conexiuni, consultați Ghid de asistență (pagina 2).



1 AUDIO OUT *4

- Pentru a asculta sunetele televizorului prin intermediul echipamentului conectat, apăsați pe **HOME**. Selectați [Setări] → [Sunet] → [Căști/Ieșire audio], apoi selectați elementul dorit.

2 **USB 1/2**, **USB 3 (HDD REC)*5**

- Conectarea unui dispozitiv USB de mari dimensiuni poate afecta alte dispozitive conectate în afară de acesta.
- La conectarea unui dispozitiv USB de mari dimensiuni, conectați-l la mufa USB 1.

3 **HDMI IN 1/2/3/4**

- Dacă se conectează un sistem audio digital compatibil cu tehnologia Audio Return Channel (ARC), utilizați HDMI IN 3. În caz contrar, este necesară o conexiune suplimentară la mufa DIGITAL AUDIO OUT (OPTICAL).

4 **AV 2**

- Pentru o conexiune compozită, utilizați cablul de extensie analog inclus*5.

5 **(Intrare RF)**, **(Intrare satelit)**

- Conexiuni pentru antenă/cablu și satelit. Ordinea de conectare: MAIN → antenă → SUB.
- Conectați cablul la mufa SUB. numai atunci când utilizați modul cu tuner dublu, cu excepția Distribuției prin cablu unic EN50494.

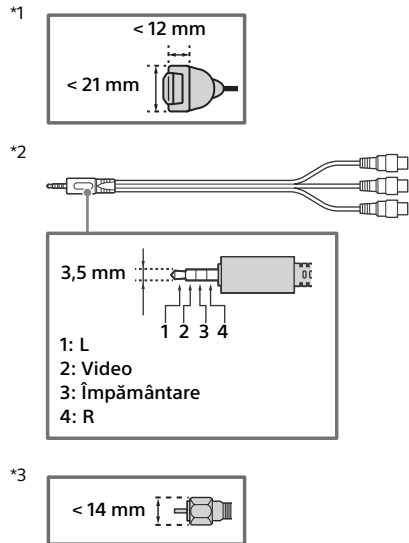
6 **AV 1**

- Conectarea cu un cablu SCART. La conectarea unui decodor analogic, tunerul TV trimite la decodor semnale codificate, iar acesta le decodifică înainte de a le reda la ieșire.

7 **CAM (modul de acces condiționat)**

- Asigură accesul la serviciile de televiziune cu plată. Pentru detalii, consultați manualul de instrucțiuni furnizat cu modulul dumneavoastră CAM.
- Nu introduceți cartela inteligentă direct în fanta CAM a televizorului. Aceasta trebuie montată în modulul de acces condiționat furnizat de către distribuitorul dumneavoastră autorizat.
- CAM nu este acceptat în unele țări/zone. Consultați-vă cu distribuitorul dumneavoastră autorizat.

- Este posibilă apariția unui mesaj CAM la comutarea la un program digital după utilizarea videoclipurilor de pe internet.



*4 Acceptă numai mini-mufă stereo cu 3 pini.

*5 Numai pentru anumite țări/regiuni/modele de televizor.

Montarea televizorului pe perete

Manualul de instrucțiuni al acestui televizor prezintă numai pașii necesari pentru pregătirea instalării televizorului înainte de instalarea acestuia pe perete.

Pentru clienți:

Pentru protecția produsului și din motive de siguranță, Sony recomandă insistent ca instalarea televizorului să fie efectuată numai de către dealeri Sony sau contractori licențiați. Nu încercați să instalați personal televizorul.

Pentru dealerii Sony și contractori:

Acordați atenție maximă aspectelor de siguranță în timpul instalării, întreținerii periodice și examinării produsului.

Este necesară o experiență suficientă pentru instalarea acestui produs, mai ales pentru a determina rezistența peretelui pentru a susține greutatea televizorului. Încredințați montajul acestui produs pe perete distribuitorilor Sony sau contractorilor licențiați și acordați o atenție adecvată aspectelor de siguranță în timpul instalării. Sony nu este responsabilă pentru daune materiale sau vătămări corporale cauzate de manipularea eronată sau instalarea necorespunzătoare.

Utilizați dispozitivul de montare pe perete SU-WL450 (neinclus) (KD-65ZD9) pentru instalarea televizorului pe perete.

La instalarea dispozitivului de montare pe perete, consultați și instrucțiunile de utilizare și ghidul de instalare furnizat cu dispozitivul de montare pe perete.

Notă

- Depozitați șuruburile demontate într-o locație sigură, fără a le lăsa la îndemâna copiilor.

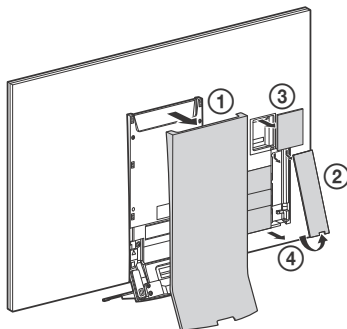


Pentru instrucțiuni privind instalarea dispozitivului de montare pe perete al modelului dumneavoastră de televizor, consultați următorul site:

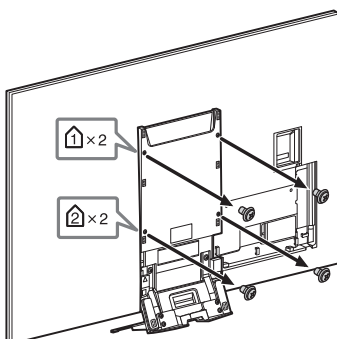
www.sony.eu/tv/wall-mount-bracket-manual

Numai KD-65ZD9

1 Demontați capacul lateral, interior, superior și cel central.



2 Scoateți șuruburile de pe partea din spate a televizorului.



RO

Numai KD-75ZD9

Televizorul se poate monta pe un dispozitiv de montare pe perete (nefurnizat) imediat după scoaterea din ambalaj, în forma în care a fost livrat.

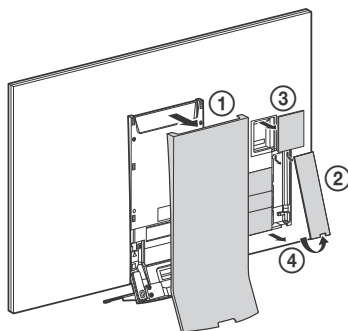
Pregătiți televizorul pentru dispozitivul de montare pe perete înainte de a realiza conexiunile cablurilor.

Pentru protejarea produsului și din motive de siguranță, Sony recomandă insistent ca instalarea televizorului pe perete să fie efectuată de către profesioniști calificați. Nu încercați să îl instalați dumneavoastră înșivă pe perete.

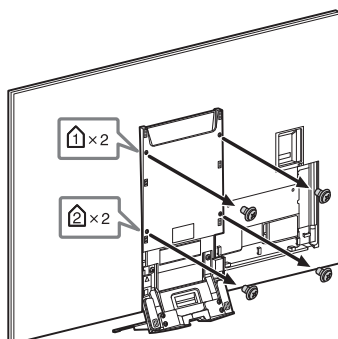
- Respectați instrucțiunile furnizate împreună cu dispozitivul de montare pe perete pentru modelul dumneavoastră. Este necesară o expertiză suficientă pentru instalarea acestui televizor, în special pentru a stabili dacă peretele poate susține greutatea televizorului.
- Nu omiteți să depozitați șuruburile și suportul de masă la loc sigur până ce sunteți gata să fixați suportul de masă. Nu lăsați șuruburile la îndemâna copiilor.

Numai KD-75ZD9

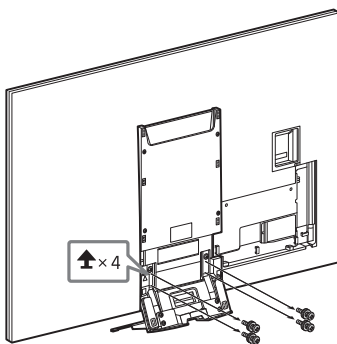
1 Demontați capacul lateral, interior, superior și cel central.



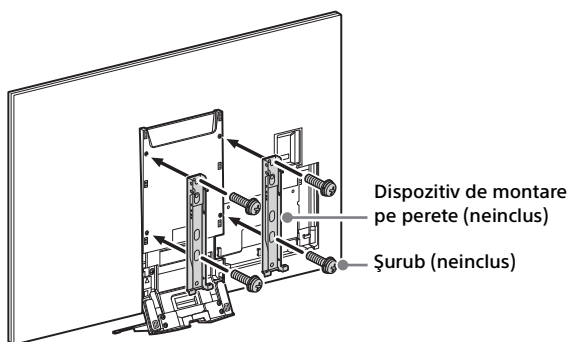
2 Scoateți șuruburile de pe partea din spate a televizorului.



3 Desprindeți suportul de masă de televizor.



4 Fixați dispozitivul de montare pe perete (neinclus) cu ajutorul șuruburilor (neincluse).

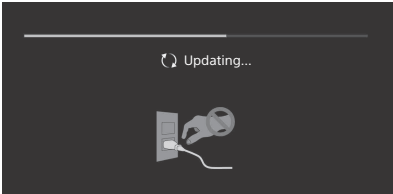


Notă

- Dacă folosiți o șurubelniță electrică, fixați cuplul de strângere la circa 1,5 N·m {15 kgf·cm}.

Depanare

Pentru a menține software-ul televizorului în stare actualizată, este necesară descărcarea celor mai recente informații software prin intermediul sistemului de transmisii digitale sau prin internet și actualizarea software-ului. Selectați [Actualiz. acum] pentru a iniția actualizarea software. LED-ul de iluminare clipește în timpul actualizării software-ului. În timpul actualizării software-ului va apărea ecranul [Updating...] (Actualizare...).



Nu scoateți din priză cablul de alimentare în timpul actualizării software. Dacă procedați astfel, este posibil ca actualizarea software-ului să nu se finalizeze corespunzător și să determine o defecțiune software. Actualizările software-ului pot necesita până la 30 de minute. Dacă nu doriți să actualizați software-ul în mod automat, apăsați pe **HOME** și selectați [Ajutor] → [Actualizare software sistem] → [Descărcare software automată] → [Oprit].

Atunci când conectați televizorul la rețeaua de alimentare, este posibil ca televizorul să nu se aprindă o perioadă, chiar dacă apăsați butonul de pornire/oprire de pe telecomandă sau de la televizor, deoarece inițializarea sistemului durează puțin timp. Așteptați aproximativ un minut, apoi încercați din nou.

Când porniți apăsând butonul de alimentare de pe telecomandă sau televizor, este nevoie de ceva timp până când pornește LED-ul de iluminare și până când telecomanda va fi funcțională.

Când LED-ul de iluminare se aprinde intermitent în roșu, numărați de câte ori se aprinde (intervalul dintre două aprinderi este de trei secunde).

Dacă LED-ul de iluminare clipește intermitent în culoarea roșie, resetați televizorul prin deconectarea cablului de alimentare timp de două minute, apoi porniți televizorul.

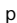
Dacă problema persistă, contactați distribuitorul dvs. sau centrul de service Sony și indicați-i numărul de clipiri intermitente ale LED de iluminare în culoarea roșie (intervalul de timp este de trei secunde). Deconectați cablul de alimentare și informați distribuitorul sau centrul de servicii Sony.

Când LED-ul de iluminare nu luminează intermitent, verificați elementele după cum urmează.

De asemenea, puteți consulta secțiunea cu informații despre depanare din Ghidul de asistență sau puteți efectua autodiagnosticarea selectând [Ajutor] → [Autodiagnosticare]. Dacă problema persistă, solicitați repararea televizorului de către personalul de service calificat.

Probleme și soluții

Nu apare nicio imagine (ecranul este negru) și nu se aude sonorul.

- Verificați conectarea antenei (externă)/cablului.
- Conectați televizorul la cablul de rețea și apăsați pe  de la televizor sau telecomandă.

Nu se poate realiza acordul pe anumite posturi.

- Verificați conectarea antenei (externă)/cablului.
- Cablul prin satelit poate fi scurtcircuitat sau pot exista probleme de conexiune ale cablului. Verificați conexiunea prin cablu și opriți televizorul de la comutatorul Pornit/Oprit al rețelei de curent electric, apoi reporniți-l.
- Frecvența introdusă nu se încadrează în interval. Consultați compania de difuzare a semnalelor prin satelit recepționate.

Nu s-au găsit servicii de televiziune prin cablu (programe).

- Verificați conexiunea prin cablu sau configurația de acord.
- Încercați [Programare automată digitală] selectând [Antenă] în loc de [Cablul].

Telecomanda nu funcționează.

- Înlocuiți bateriile.

Parola pentru [Blocare de către părinți (Transmisie)] a fost uitată.

- Pentru codul PIN, introduceți 9999. Schimbați codul PIN prin selectarea opțiunilor [Setări] → [Blocare de către părinți (Transmisie)] → [Schimbați Codul PIN].

Zonele din jurul televizorului se încălzesc.

- Când televizorul este utilizat pentru o perioadă îndelungată, zonele din jurul televizorului se încălzesc.
Puteți să simțiți căldură dacă atingeți cu mâna aceste zone.

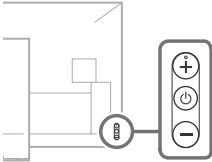
Sunetul sau imaginea sunt blocate, ecranul este gol sau televizorul nu răspunde la apăsarea pe butoanele proprii sau ale telecomenzii.

- Efectuați o resetare simplă a televizorului prin deconectarea cablului de alimentare de rețea pentru două minute, apoi conectați-l din nou.

Nu găsiți butoanele , + și - pe televizor

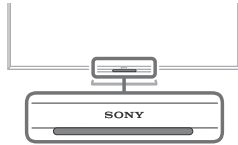
- Consultați ilustrația de mai jos pentru a afla poziția butoanelor de pe televizor.

Partea din spate a televizorului



LED-ul de iluminare este aprins.


- Dacă nu doriți ca LED-ul de iluminare să fie aprins, îl puteți stinge.
Apăsați pe **HOME**, apoi selectați [Setări] → [LED de iluminare] → [Oprit].



Nu se poate realiza conectarea la un router wireless prin WPS (Wi-Fi Protected Setup).

- Dacă utilizați securitatea WEP, selectați [Simplu] → [Wi-Fi] → [Conectare din lista de scanare].
Apoi, selectați numele rețelei (SSID) la care doriți să vă conectați.

Nu s-a putut găsi numele rețelei dorite în configurația de rețea.

- Selectați [[Introducere manuală]] și apăsați  pentru a introduce numele rețelei.

Specificații

Sistem

Tip de panou

Panou LCD (Liquid Crystal Display - Afișaj cu cristale lichide), Iluminare de fundal cu LED

Sistem TV

În funcție de țara/regiunea aleasă/modelul televizorului

Analogic: B/G, D/K, L, I

Digital: DVB-T/DVB-C
DVB-T2*

Satelit*: DVB-S/DVB-S2

Sistem culoare

PAL, SECAM, NTSC3.58 (Numai video), NTSC4.43 (Numai video)

Acoperire canale

În funcție de țara/regiunea aleasă/modelul televizorului

Analogic: UHF/VHF/Cablu

Digital: UHF/VHF/Cablu

Satelit*: Frecvență IF 950 - 2.150 MHz

Ieșire audio

10 W + 10 W

Tehnologie wireless

Protocol IEEE802.11ac/a/b/g/n

(Este posibil ca, în funcție de țări/regiuni, protocolul IEEE802.11ac să nu fie disponibil.)

Bluetooth versiunea 4.1

- * Nu toate modelele de televizoare dispun de tehnologia DVB-T2 sau DVB-S/S2 sau de mufă pentru antenă de satelit.

Mufe intrare/ieșire

Cablu antenă (exterioară)

Bornă externă 75 ohm pentru VHF/UHF

Antenă de satelit

Conector mamă de tip F, 75 ohm.

DiSEqC 1.0, LNB 13 V/18 V & ton 22 kHz, Distribuție cablu unic EN50494.

AV 1

Conector scart cu 21 de pini (standard CENELEC) inclusiv intrare audio/video, intrare RGB și ieșire audio/video TV.

AV 2

Intrare video/audio (mini mufă)

HDMI IN 1, 2, 3, 4 (suport pentru rezoluție 4K, Compatibil cu HDCP 2.2)

Video (2D):

4096 × 2160p (50, 60 Hz)*¹, *², 4096 × 2160p (24 Hz)*¹, 3840 × 2160p (50, 60 Hz)*², 3840 × 2160p (24, 25, 30 Hz), 1080p (30, 50, 60 Hz), 1080/24p, 1080i (50, 60 Hz), 720p (30, 50, 60 Hz), 720/24p, 576p, 576i, 480p, 480i, Formate PC

*¹ Se afișează un semnal de 3840 × 2160p atunci când semnalul de intrare este 4096 × 2160p

*² Numai pentru HDMI IN 2 / 3.

Video (3D) (Numai modele compatibile 3D):

Împachetare cadre: 1080p (30Hz), 1080/24p, 1080i (50, 60Hz), 720p (30, 50, 60Hz), 720/24p
Alăturare: 1080p (50, 60Hz), 1080/24p, 1080i (50, 60Hz), 720p (50, 60Hz)

Suprapuse: 1080p (30, 50, 60Hz), 1080/24p, 1080i (50, 60Hz), 720p (50, 60Hz)



Audio: PCM liniar pe 5,1 canale: 32, 44,1, 48, 88,2, 96, 176,4 și 192 kHz, 16, 20 și 24 biți, Dolby Digital, Dolby Digital Plus și DTS

ARC (Audio Return Channel) (numai pentru HDMI IN 3)

(PCM liniar pe două canale, Dolby Digital, Dolby Digital Plus, DTS)


⊖ DIGITAL AUDIO OUT (OPTICAL)

Mufă optică digitală (PCM liniar pe două canale, Dolby Digital, DTS)

AUDIO OUT   (mini mufă stereo)

Cășți, ieșire audio, subwoofer

•  1, •  2, **SS**  3 (HDD REC)*¹

Port dispozitiv USB  3 dispozitiv HDD USB pentru funcția REC)

Porturile USB 1 și 2 sunt compatibile cu High Speed USB (USB de mare viteză) (USB 2.0).

Portul USB 3 este compatibil cu Super Speed USB (USB de foarte mare viteză) (USB 3.0).



Slot CAM (modul de acces condiționat)



Conector 10BASE-T/100BASE-TX (în funcție de mediul de funcționare a rețelei, viteza conexiunii poate varia. Viteza de comunicare și calitatea conexiunii 10BASE-T/100BASE-TX nu sunt garantate pentru acest televizor.)

IR BLASTER *¹

Intrare cablu IR Blaster (mini mufă)

Altele

Accesorii opționale

Dispozitiv de montare pe perete: SU-WL450 (Numai KD-65ZD9)

Subwoofer wireless: SWF-BR100

Ochelari 3D activi: TDG-BT500A



Temperatură de utilizare

0 °C - 40 °C

Umiditate de funcționare

UR 10 % - 80 % (fără condens)

Alimentare, date tehnice ale produsului și altele

Cerințe de alimentare

Valoare nominală: Intrare 220 V - 240 V c.a., 50 Hz

Clasa de eficacitate energetică

KD-75ZD9: B

KD-65ZD9: B

Dimensiunea ecranului (măsurată pe diagonală) (cca.)

KD-75ZD9: 189,3 cm / 75 țoli

KD-65ZD9: 163,9 cm / 65 țoli

Consum de putere

în modul [Standard]

KD-75ZD9: 259 W

KD-65ZD9: 210 W

în modul [Strălucitor]

KD-75ZD9: 453 W

KD-65ZD9: 347 W

Consum mediu anual de energie*²

KD-75ZD9: 359 kWh

KD-65ZD9: 291 kWh

Consum de putere în modul standby*³⁺⁴

0,50 W (27 W în modul software/actualizare program)

Rezoluție ecran

3.840 puncte (orizontal) × 2.160 linii (vertical)

Mărimi de ieșire nominale

USB 1/2: 5 V, , 500 mA max.

USB 3: 5 V, , 900 mA max.

Dimensiuni (Cca.) (l × î × a)

cu suport de masă

KD-75ZD9: 168,4 × 104,7 × 27,8 cm

KD-65ZD9: 146,2 × 92,0 × 26,8 cm

fără suport de masă

KD-75ZD9: 168,4 × 97,3 × 7,8 cm

KD-65ZD9: 146,2 × 84,7 × 7,8 cm

Masă (Cca.)

cu suport de masă

KD-75ZD9: 45,1 kg

KD-65ZD9: 35,7 kg

fără suport de masă

KD-75ZD9: 41,3 kg

KD-65ZD9: 32 kg

*1 Numai pentru anumite țări/regiuni/modele de televizor.

*2 Consum de energie pe an, în baza consumului de putere al televizorului, când este în funcțiune 4 ore pe zi pe o perioadă de 365 de zile. Consumul real de energie va depinde de modul în care este utilizat televizorul.

*3 Puterea specificată în modul standby este atinsă după ce televizorul încheie procesele interne necesare.

*4 Consumul de putere în modul standby va crește când televizorul dumneavoastră este conectat la rețea de date.

Notă

- Nu scoateți cardul machetă din slotul TV CAM (modul de acces condiționat) decât pentru a introduce un card inteligent în acest slot.
- Accesoriiile opționale sunt disponibile în funcție de țări/regiune/modelul televizorului/stoc.
- Designul și specificațiile se pot modifica fără notificare prealabilă.


Note privind televiziunea digitală

- Orice funcții legate de televiziunea digitală (DVB) vor fi active numai în țările sau zonele în care sunt difuzate semnale digitale terestre DVB-T/DVB-T2 (MPEG-2 și H.264/MPEG-4 AVC), sau unde aveți acces la servicii de cablu compatibile DVB-C (MPEG-2 și H.264/MPEG-4 AVC). Vă rugăm să verificați la dealer-ul local dacă puteți recepționa semnal DVB-T/DVB-T2 în zona unde locuiți sau să întrebați furnizorul dvs. de servicii prin cablu dacă acest televizor este potrivit pentru serviciul lor de cablu DVB-C.
- Furnizorul de servicii prin cablu poate solicita taxe suplimentare pentru astfel de servicii și este posibil să vi se solicite aderarea la termenii și condițiile de lucru ale respectivilor furnizori.
- Deși acest televizor respectă specificațiile DVB-T/DVB-T2 și DVB-C, nu poate fi garantată compatibilitatea cu programele digitale terestre DVB-T/DVB-T2 și DVB-C prin cablu care vor fi difuzate în viitor.
- Unele funcții ale televiziunii digitale este posibil să nu fie disponibile în anumite țări/regiuni, iar serviciile de cablu DVB-C este

posibil să nu funcționeze corect în cazul unor anumiți furnizori.

Informații legate de mărci

- Termenii HDMI și HDMI High-Definition Multimedia Interface și sigla HDMI sunt mărci comerciale sau mărci comerciale înregistrate ale HDMI Licensing LLC în Statele Unite și în alte țări.
- Fabricat sub licență de la Dolby Laboratories. Simbolurile Dolby, Dolby Audio și double-D sunt mărci comerciale ale Dolby Laboratories.
- „BRAVIA” și BRAVIA sunt mărci de comerț înregistrate ale Sony Corporation.
- Gracenote, Gracenote eyeQ, Gracenote VideoID, Gracenote Video Explore, sigla și logotipul Gracenote și sigla „Powered by Gracenote” sunt mărci comerciale înregistrate sau mărci comerciale ale Gracenote în Statele Unite și/sau alte țări.
- Opera® Devices SDK from Opera Software ASA. Copyright 1995-2015 Opera Software ASA. All rights reserved.
- Wi-Fi, Wi-Fi Direct, Miracast, Wi-Fi Protected Setup și sigla Wi-Fi CERTIFIED sunt mărci comerciale sau mărci comerciale înregistrate ale Wi-Fi Alliance.
- Pentru informații despre brevetele DTS, vizitați <http://patents.dts.com>. Fabricat sub licență primită de la DTS, Inc. DTS, simbolul, & DTS și simbolul împreună sunt mărci comerciale înregistrate, iar DTS Digital Surround este marcă comercială a DTS, Inc. © DTS, Inc. Toate drepturile rezervate.
- QuickSet și sigla QuickSet sunt mărci comerciale ale Universal Electronics Inc. Portions © UEI 2000-2015
- Marcajele cu cuvântul Bluetooth® și siglele aferente sunt mărci înregistrate deținute de Bluetooth SIG, Inc. și orice utilizare a acestor marcaje de către Sony Corporation se face sub licență. Alte mărci comerciale și nume comerciale sunt proprietatea respectivilor deținători.
- DiSEqC™ este marcă comercială a EUTELSAT. Acest televizor acceptă DiSEqC 1.0. Acest televizor nu este proiectat pentru controlul antenelor motorizate.

- TUXERA este o marcă comercială înregistrată a Tuxera Inc. în Statele Unite și în alte țări.
- Sigla SuperSpeed USB Trident a USB-IF este o marcă comercială înregistrată a USB Implementers Forum, Inc. 

Съдържание

ВАЖНА ЗАБЕЛЕЖКА	3
Информация за безопасност	3
Предпазни мерки	5
Части и прибори за управление	7
Прибори за управление и индикатори ..	7
Използване на дистанционно управление	8
Дистанционно управление описание на частите	8
Диаграма на свързване	10
Монтаж на телевизора на стена	12
Само за KD-75ZD9	14
Отстраняване на неизправности.	16
Проблеми и решения	16
Спецификации	18

Въведение

Благодарим ви за покупката на този Sony продукт. Преди да започнете работа с телевизора, прочетете ръководството изцяло и го запазете за бъдещи справки.

Забележка

- Преди да работите с телевизора, моля, прочетете "Информация за безопасност" (страница 3).
- Изображенията и илюстрациите, използвани в Ръководството за настройка и в това ръководство, са само за справка и може да се различават от действителния продукт.

Местоположение на Ръководството за настройка

Ръководството за настройка се намира върху стиропора в опаковката на телевизора.

Помощно ръководство

Функцията за помощ предлага подробна информация за вашия телевизор. За да използвате функцията за помощ, натиснете **HELP** от дистанционното управление. Можете да намерите отговори на въпроси и инструкции за отстраняване на неизправности както от списъка, така и чрез търсене на ключови думи по гласова команда или по текст. Изберете [Помощно ръководство] от менюто с помощ, за да прегледате ръководството. Ако свържете своя телевизор с интернет, функцията за помощ и информацията ще се актуализират своевременно.

Място на идентификационния етикет

Етикетите за номер на модела, дата на производство (година/месец) и клас на захранване, са разположени на гърба на телевизора или опаковката. Те могат да се видят след махане на централния капак.

ПРЕДУПРЕЖДЕНИЕ

ЗА ДА
ПРЕДОТВРАТИТЕ
ИЗБУХВАНЕ НА ПОЖАР,
ВИНАГИ ДРЪЖТЕ СВЕЩИ
ИЛИ ДРУГИ ИЗТОЧНИЦИ НА
ОГЪН ДАЛЕЧ ОТ ТОЗИ
ПРОДУКТ.



ВАЖНА ЗАБЕЛЕЖКА

Този продукт е произведен от или от името на Sony Corporation, 1-7-1 Konan Minato-ku Tokyo, 108-0075 Япония. Запитвания за съответствие на продуктите съгласно законодателството на Европейския съюз, следва да се отправят към Упълномощения представител Sony Belgium, Bijkantoor van Sony Europe Limited, Da Vincilaan 7-D1, 1935 Zaventem, Белгия. За въпроси, свързани със сервиз и гаранция, моля използвайте адресите, посочени в придружаващите сервизни или гаранционни документи.

Забележка за безжичен сигнал



С настоящето Сони Корпорация декларира, че този продукт отговаря на основните изисквания и другите съответстващи клаузи на Директива 1999/5/EC.

Подробности може да намерите на интернет страницата: <http://www.compliance.sony.de/>

Забележка за потребители: следната информация се отнася само за оборудване, продавано в страни, където се прилагат директивите на ЕС.

Безжичната телевизионна система може да се използва в следните държави:

AT, BE, HR, CY, CZ, DK, EE, FI, FR, DE, GR, HU, IE, IT, LV, LT, LU, MT, NL, PL, PT, SK, SI, ES, SE, GB, IS, LI, NO, CH, BG, RO, TR, AL, BA, MK, MD, RS, ME, Косово

Това оборудване може да се използва в други неевропейски страни.

Информация за безопасност

ВНИМАНИЕ

Батериите не трябва да се излагат на прекалена топлина, например слънчева светлина, огън или подобни. Никога не слагайте телевизор на нестабилни повърхности. Телевизорът може да падне и да причини сериозно нараняване или смърт. Много наранявания, особено при деца, могат да се избегнат, като се вземат прости предпазни мерки като:

- Използване на шкафове и стойки, препоръчани от производителя на телевизора.
- Използване само на мебели, които могат безопасно да издържат тежестта на телевизора.
- Да се внимава телевизорът да не излиза извън ръба на поддържащата го мебел.
- Да не се поставя телевизора върху високи мебели (например шкафове или библиотеки), без да се закрепят съответната мебел и телевизора към подходяща опора.
- Да не се поставя телевизора върху плат или други материали, които могат да се намират между телевизора и мебелите, на които е поставен.
- Да се обяснят на децата опасностите от катерене по мебелите за достигане на телевизора или неговите прибори за управление.

Ако при преместване запазете настоящия си телевизор, следва да вземете предвид същите съображения, както гореизложените.

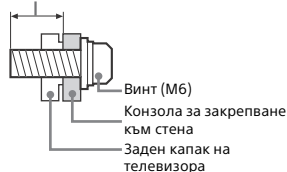
Инсталация/Настройка

Инсталирайте и използвайте телевизора в съответствие с инструкциите, описани по-долу, за да избегнете риск от пожар, токов удар или повреда и/или наранявания.

Инсталация

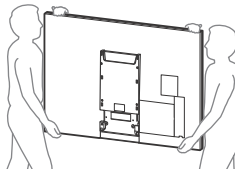
- Телевизорът трябва да бъде инсталиран близо до лесно достъпен контакт.
- Поставете телевизора на стабилна, равна повърхност, за да избегнете падането му, което може да причини нараняване на човек или повреда на имущество.
- Монтирайте телевизора на място, където не може да бъде дръпнат, бутнат или преобърнат.
- Монтажът на устройството към стената трябва да се извърши само от квалифициран персонал.
- За по-голяма безопасност ви препоръчваме да използвате оригиналните аксесоари на Sony, включително: Конзола за закрепване към стена — SU-WL450 (Само за KD-65ZD9)
- На всяка цена използвайте приложените винтове към конзолата за закрепване към стена, когато закачате конзолата за закрепване към стена към телевизора. Приложените винтове са проектирани както е показано на илюстрацията, измерването е направено спрямо закачавщата повърхност на конзолата за закрепване към стена. Диаметърът и дължината на винтовете се различават в зависимост от модела на конзолата за закрепване към стена. Използването на винтове, различни от тези в комплекта на конзолата, може да доведе до вътрешни повреди на телевизора или да стане причина за падането му и т.н.

10 mm - 12 mm



Пренасяне

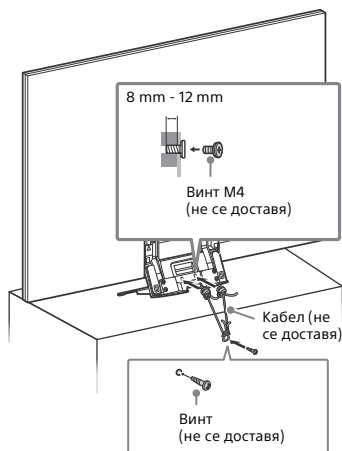
- Преди да местите телевизора, изключете всички кабели от него.
- Пренасянето на голям телевизор изисква двама или повече души.
- Когато LCD телевизорът се използва продължително време, рамката около панела се затопля. Може да усетите топлина, ако я докоснете.



- При пренасяне не излагайте телевизора на сътресения или прекалени вибрации.
- Когато пренасяте телевизора при ремонт или при смяна на жилището, пакетирайте го, като използвате оригиналната опаковка и материали за пакетирание.

BG

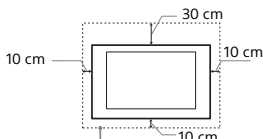
Предотвратяване на падане



Вентилация

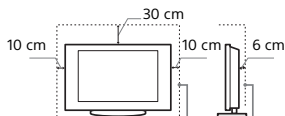
- Никога не покривайте вентилационните отвори и не вкарвайте предмети в корпуса.
- Оставете свободно място около телевизора както е показано по-долу.
- Препоръчително е да използвате оригиналната конзола за монтиране към стена на Sony, за да осигурите достатъчна циркулация на въздуха.

Инсталация на стена



Оставете най-малко толкова място около устройството.

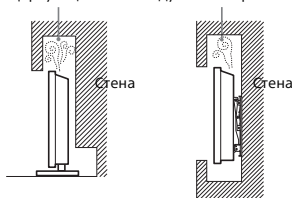
Инсталиране с помощта на поставка



Оставете най-малко толкова място около устройството.

- За да постигнете правилна вентилация и за да предотвратите събирането на прах или мръсотия:
 - Не слагайте телевизора легнал, не го монтирайте обърнат с горния край надолу, наопак или странично.
 - Не слагайте телевизора върху рафтове, килим, легло или в дрешник.
 - Не покривайте телевизора с парчета плат, като пердетата или с други предмети, като вестници и др.
 - Не инсталирайте телевизора, както е показано по-долу.

Циркулацията на въздуха е блокирана.



Захранващ кабел

За да предотвратите риска от пожар, токов удар, повреда и/или нараняване, работете със захранващия кабел както следва:

- Използвайте само оригинален захранващ кабел на Sony. Не използвайте други марки.
- Вкарвайте щепсела плътно и докрай в контакта.
- Включвайте телевизора само към променливотоково захранване от 220 V - 240 V.
- Когато прокарвате кабели, за ваша безопасност се уверете, че сте изключили захранващия кабел; внимавайте да не се спънете в кабелите.
- Изключете захранващия кабел от мрежата от 220 V, преди да работите или местите телевизора.
- Пазете захранващия кабел далеч от източници на топлина.
- Изключете захранващия кабел и го почиствайте редовно. Ако захранващият кабел е замърсен или прашен и по него се образува влага, изолацията му може да се наруши и това може да доведе до пожар.

Забележка

- Не използвайте приложения захранващ кабел с друго оборудване.
- Не дупчете, не огъвайте и не усуквайте прекомерно захранващия кабел. Жилото на проводниците може да се оголи или прекъсне.
- Не преразвийте захранващия кабел.
- Не поставяйте тежки предмети върху захранващия кабел.
- Не дърпайте самия захранващ кабел, когато го изключавате от контакта.
- Не свързвайте твърде много устройства към един и същи контакт.
- Не използвайте контакт, който не захваща стабилно щепсела.

Забранена употреба

Не инсталирайте/използвайте телевизора на следните места или в ситуациите, описани по-долу. В противен случай телевизорът може да се повреди и да причини пожар, токов удар, повреда и/или нараняване.

Местонахождение:

- На открито (пряка слънчева светлина), на морския бряг, на кораб или друг плавателен съд, във вътрешността на превозно средство, в медицински заведения, на нестабилни повърхности, близо до вода, изложен на дъжд, влага или пушек.

Околна среда:

- Места, които са горещи, влажни или прекалено прашни; Там, където може да влязат насекоми; Където може да бъде изложен на механични вибрации, в близост до запалими предмети (свещи и др.). Телевизорът не трябва да бъде заливан или пръскван; не поставяйте в близост до телевизора предмети, пълни с течности, като например вази.

Ситуации:

- Използване, ако сте с мокри ръце, когато капакът на устройството е свален или с аксесоари, които не са препоръчани от производителя. По време на гръмотевични бури изключвайте телевизора от контакта и също изваждайте антенния кабел.
- Монтирайте телевизора така, че да стърчи. Може да възникне нараняване или повреда, ако човек или предмет се сблъска с телевизора.



- Поставете телевизора на влажно или прашно място, или в стая с мазен дим или пара (близо до кухненски плотове или овлажнители). Може да възникне пожар, електрически удар или деформация.
- Поставете телевизора на места, изложени на високи температури, например директна слънчева светлина, близо до радиатор или отоплително тяло. В такива условия телевизорът може да прегрее, което да причини деформация на корпуса и/или повреда на телевизора.



- Ако телевизорът бъде поставен в съблекалня на обществена баня или минерална баня, телевизорът може да се повреди от сярата във въздуха и др.
- За най-добро качество на картината, не излагайте екрана на директно осветяване или слънчева светлина.
- Избягвайте преместването на телевизора от студено на топло място. Внезапните промени в температурата на стаята могат да причинят конденз на влага. Това може да е причина за показване на лоша картина и/или лоши цветове. В такъв случай изчакайте влагата да се изпари напълно, преди да включите телевизора.



Счупени парчета:

- Не хвърляйте нищо към телевизора. Стъклото на екрана може да се счупи и да експлодира при удара и да причини сериозни наранявания.
- Ако повърхността на дисплея се пропука, не я докосвайте, докато не изключите захранващия кабел. В друг случай това може да причини токът удар.

Когато не използвате устройството

- Поради причини, свързани с безопасността и околната среда, ви препоръчваме да изключвате телевизора от мрежата, когато не планирате да го използвате няколко дни.
- Телевизорът не е изключен от мрежата, когато е изключен от копчето. За да изключите напълно устройството, изключете кабела на захранването от електрическата мрежа.
- Някои телевизори притежават функции, които изискват оставянето на устройството в режим Готовност.

Относно децата

- Не позволявайте на деца да се качват върху телевизора.
- Пазете малките аксесоари далеч от деца, за да не бъдат погълнати от тях по невнимание.

Ако възникнат следните проблеми...

Незабавно изключете телевизора и извадете захранващия кабел в случай, че възникне някоя от следните проблеми. Консултирайте се с вашия Sony доставчик или с упълномощен сервиз на Sony да е наложило телевизорът да бъде проверен от квалифициран сервиз.

Когато:

- Захранващият кабел е повреден.
- Гнездото на контакта не захваща стабилно щепсела.
- Телевизорът е повреден, понеже е изпуснат, ударен или нещо е хвърлено по него.
- Течни или твърди предмети са попаднали в отворите на корпуса.

Относно температурата на LCD дисплея

Когато LCD дисплея се използва продължително време, елементите около панела се затоплят. Може да усетите топлина, ако ги докоснете.

Предпазни мерки

Гледане на телевизия

- Гледайте телевизия в средно осветена стая, тъй като гледането на телевизия в слабо осветена стая натоварва допълнително очите ви.
- Когато използвате слушалки, настройте силата на звука така, че да предотвратите увреждане на слуха.

(Само за модели, съвместими с 3D)

- Някои хора могат да усетят неудобство (като напъгане на очите, умора или гадене) докато гледат 3D видео изображения или играят стереоскопични 3D игри. Sony препоръчва на всички зрители да правят редовни почивки когато гледат 3D видео изображения или играят на стереоскопични 3D игри. Продължителността и честотата на необходимите почивки е различна за всеки човек. Вие трябва да решите кое е най-добро за вас. Ако изпитате някакво неудобство, трябва да спрете да гледате 3D видео изображения или да играете стереоскопични 3D игри, докато неудобството отmine; консултирайте се с лекар, ако сметнете за необходимо. Също така трябва да прегледате (i) ръководството за употреба на всяко друго устройство или медия, използвани с този телевизор и (ii) нашия уебсайт (www.sony.eu/support) за най-новата информация. Зрението на малките деца (особено на тези под шестгодишна възраст) все още се развива. Обърнете се към лекар (педиатър или очен лекар), преди да позволите на малки деца да гледат 3D видео изображения или да играят на стереоскопични 3D игри. Възрастните трябва да наблюдават малките деца, за да гарантират, че те спазват описаните по-горе препоръки.
- Не използвайте, съхранявайте или оставяйте 3D очилата или батерията близо до огън или на места с висока температура, например на директна слънчева светлина или в нагрети от слънцето автомобили.

LCD екран

- Въпреки че LCD екранът е изработен по високо-прецизна технология и повече от 99,99 % от пикселите му са ефективни, върху LCD екрана може трайно да се появят черни или светли точки (червени, сини или зелени). Това е структурна особеност на LCD панела и не представлява неизправност.
- Не натискайте и не драскайте предния филтър и не поставяйте предмети върху устройството. Изображението може да е неравномерно или LCD панелът може да се повреди.
- Ако използвате устройството на студено място, картината може да се замъгли или да стане по-тъмна. Това не е неизправност. Този феномен изчезва, когато температурата се повиши.
- Когато на екрана продължително време са показани неподвижни изображения, възможно е да се появят остатъчни образи. Те могат да изчезнат след няколко секунди.
- Екранът и корпусът се затоплят, когато използвате устройството. Това не е неизправност.
- LCD екранът съдържа малко количество течни кристали. Следвайте местните правила и закони за изхвърляне на подобни отпадъци.

Поддръжка и почистване на повърхността на екрана/корпуса на телевизора

Уверете се, че сте изключили свързания към телевизора захранващ кабел, преди да започнете почистване.

За да предотвратите повреда на покритието на екрана, следвайте инструкциите, изброени по-долу.

- За да премахнете праха от повърхността на екрана/корпуса, почиствайте с меко сухо парче плат. Ако полепеналият прах не може да се почиства, почиствайте екрана с меко парче плат, леко навлажнено със слаб почистващ разтвор.
- Никога не пръскайте вода или разтвор директно върху телевизора. По екрана или външните части, може да се образуват капки, които да потекат, да навлезнат в долната част на телевизора и да го повредят.
- Не използвайте грапави парчета плат, почистващи препарати на алкална/киселинна основа, почистващи прахове или разтвори, като например алкохол, бензол, разреждател или инсектицид. Използването на такива вещества или продължителният контакт с гума или винил може да повреди повърхността на екрана или повърхността на корпуса на устройството.
- Не пипайте телевизора, ако ръката Ви е покрита с химично вещество като крем за ръце или слънцезащитен крем.
- Препоръчва се периодично почистване с прахосмукачка на отворите за проветряване с цел осигуряване на правилна вентилация.
- Когато регулирате ъгъла на телевизора, местете бавно устройството, за да предотвратите изместване на телевизора или падане от масата или стойката.



Изхвърляне на телевизора



Третиране на стари електрически и електронни уреди (приложимо в Европейския съюз и други Европейски страни със системи за разделно събиране на отпадъци)

Този символ върху устройството или върху неговата опаковка показва, че този продукт не трябва да се третира като домакински отпадък. Вместо това той трябва да бъде

предаден в съответния събирателен пункт за рециклиране на електрически и електронни уреди. Като предадете този продукт на правилното място, Вие ще помогнете за предотвратяване на негативните последици за околната среда и човешкото здраве, които биха възникнали при изхвърлянето му на неподходящо място. Рециклирането на материалите ще спомогне да се съхранят природните ресурси. За подробна информация относно рециклирането на този продукт можете да се обърнете към местната градска управа, фирмата за събиране на битови отпадъци или магазина, откъдето сте закупили продукта.



Третиране на използвани батерии (приложимо в Европейския Съюз и други европейски държави със системи за разделно събиране на отпадъците)

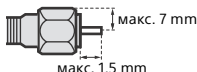
Този символ върху батерията или върху опаковката показва, че батерията, доставена с този продукт, не трябва да се третира като домакински отпадък. При някои батерии този символ се използва в комбинация с означение на химически елемент. Означението на химическия елемент живак (Hg) или олово (Pb) се добавя ако батерията съдържа повече от 0,0005 % живак или 0,004 % олово. Като предадете тази батерия на правилното място, Вие ще помогнете за предотвратяване на негативните последици за околната среда и човешкото здраве, които биха възникнали при изхвърлянето им на неподходящо място. Рециклирането на материалите ще спомогне да се съхранят природните ресурси. За продукти, които от гледна точка на безопасност, правилен начин на действие или съхранение на данни изискват батерията да бъде постоянно свързана (вградена), тази батерия трябва да бъде подменяна само от квалифициран сервизен персонал. За да сте сигурни, че вградената батерия ще бъде третирана правилно, предайте стария продукт в събирателен пункт за рециклиране на електрически и електронни уреди. За всички останали батерии моля прочетете в упътването как да ги извадите по безопасен начин от продукта. Предайте батерията в събирателния пункт за рециклиране на използвани батерии. За подробна информация относно рециклирането на този продукт или батерия можете да се обърнете към местната градска управа, фирмата за събиране на битови отпадъци или магазина, откъдето сте закупили продукта.

Допълнително оборудване

- Не дръжте близо до телевизора допълнителните компоненти или каквото и да е било оборудване, излъчващо електромагнитни вълни. В противен случай е възможно картината и/или звукът да бъдат със смущения.
- Това оборудване е тествано и съответства на изискванията на Директива EMC, като използва свързващ сигнален кабел по-къс от 3 метра.

Препоръки за конектор тип F

Вътрешният проводник трябва да е издаден спрямо свързващата част най-малко 1,5 mm.



(Препоръчителна схема на конектор тип F)

Безжична функция на продукта

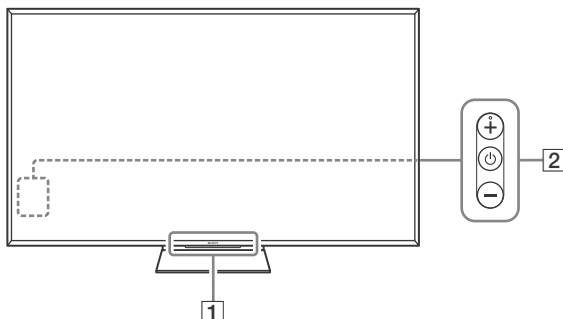
- Не работете с този уред в близост до медицинско оборудване (пейсмейкър и пр.), тъй като това може да доведе до неизправност на медицинското оборудване.
- Макар, че този уред предава/приема кодирани сигнали, внимавайте за неотризирано прихващане. Не носим отговорност за възникнали в резултат проблеми.

Внимание при работа с дистанционното управление

- Сълюдавайте правилната поляриност при поставяне на батериите.
- Не използвайте съвместно батерии от различен тип, както и стари и нови батерии.
- Изхвърляйте изразходваните батерии по щадящ околната среда начин. В някои населени места е възможно изхвърлянето на батериите да е регулирано нормативно. Консултирайте се с местните власти.
- Работете внимателно с дистанционното управление. Не го изпускате, не стъпвайте върху него и не изливайте никакви течности върху него.
- Не поставяйте дистанционното управление в близост до източници на топлина, на пряка слънчева светлина или в стая с повишена влажност.

Части и прибори за управление

Прибори за управление и индикатори



1 Сензор за дистанционното управление*1 / Светлинен сензор*1 / LED осветление / 3D синхронизиращ предавател*1*2

LED осветлението свети или мига в зависимост от състоянието на телевизора.

- Бял
При включване на телевизора/режим без картина/актуализиране на софтуер, и т.н.
- Циан
При безжично свързване с мобилно устройство.
- Розов*2
Режим на запис.
- Кехлибарен
Зададен е таймер.

2 ⏻ (Захранване) / + / -

Когато телевизорът е изключен,
Натиснете ⏻, за да го включите.

Когато телевизорът е включен,
Задръжте продължително ⏻, за да го изключите.

Натиснете ⏻ многократно, за да промените функцията, след това натиснете бутона + или -, за да:

- Регулиране силата на звука
- Избор на канал
- Избор на входящ източник за телевизора

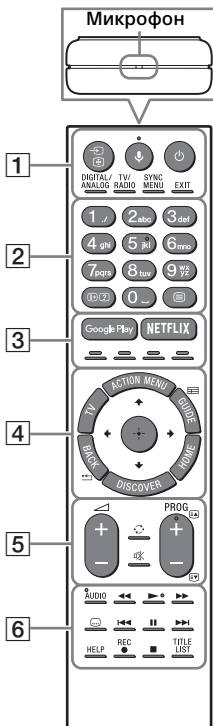
*1 Не поставяйте нищо в близост до сензора.

*2 Само за определени региони/страни/модели телевизори.

Използване на дистанционно управление

Дистанционно управление описание на частите

Разположението, формата, наличността и функциите на бутоните на дистанционното управление могат да се различават в зависимост от държавата/региона/модела на телевизора.



1 (Избор на вход/Задържане на текст)

В ТВ режим: Показва и избира входния източник.

В режим Текст: Задръжа текущата страница.

(Микрофон)

Използвайте гласовата функция. (напр. Търсете съдържание като говорите.)

(ТВ готовност)

Включва или изключва телевизора (режим Готовност).

DIGITAL/ANALOG

Превключва между цифров и аналогов режим.

TV/RADIO

Превключва между TV или RADIO предавания.

SYNC MENU

Показва BRAVIA Sync Menu.

EXIT

Връща към предишен екран или излиза от менюто. Когато работи Интерактивно приложение, натиснете, за да излезете от услугата.

2 Бутони с цифри

/ (Инфо/Показване на текст)

Показва информация.

(Текст)

Показва текстова информация.

3 Google Play

Влезте в онлайн услугата "Google Play".

NETFLIX (Само за определени региони/страни/модели телевизори)

Дава достъп до онлайн услугата "NETFLIX".

Цветни бутони

Изпълняват съответстваща функция към даден момент.

4 ACTION MENU

Показва списък с функции в зависимост от контекста.

TV

- Превключва към телевизионен канал или вход от други приложения.
- Включва телевизора, за да се покаже телевизионен канал или входен сигнал.

GUIDE /

Показва справочника на цифровите програми.

BACK /

Връща към предишен екран.

HOME

Показва меню Ноте на телевизора.

DISCOVER

Показва лентата със съдържанието за търсене на съдържание.

/ / / / (Избор на елемент/ Въвеждане)

5 +/- (Сила на звука)

Настройва силата на звука.

(Прескачане)



Прескача назад или напред между два канала или входа. Телевизорът сменя текущия канал или вход с последния избран канал или вход.

(Заглушаване)

Изключва звука. Натиснете отново, за да възстановите звука.

PROG +/- / /

В ТВ режим: Избира канал.

В режим Текст: Избира следващата () или предишната () страница.

6 AUDIO

Променя езика за програмата, която гледате в момента.

(Настройка на субтитрите)

Включва или изключва субтитрите (когато функцията е налична).



Управлява мултимедийно съдържание от телевизора и свързани съвместими с BRAVIA Sync устройства.

HELP

Показва помощно меню. От тук може да се използва Помощното ръководство.

REC

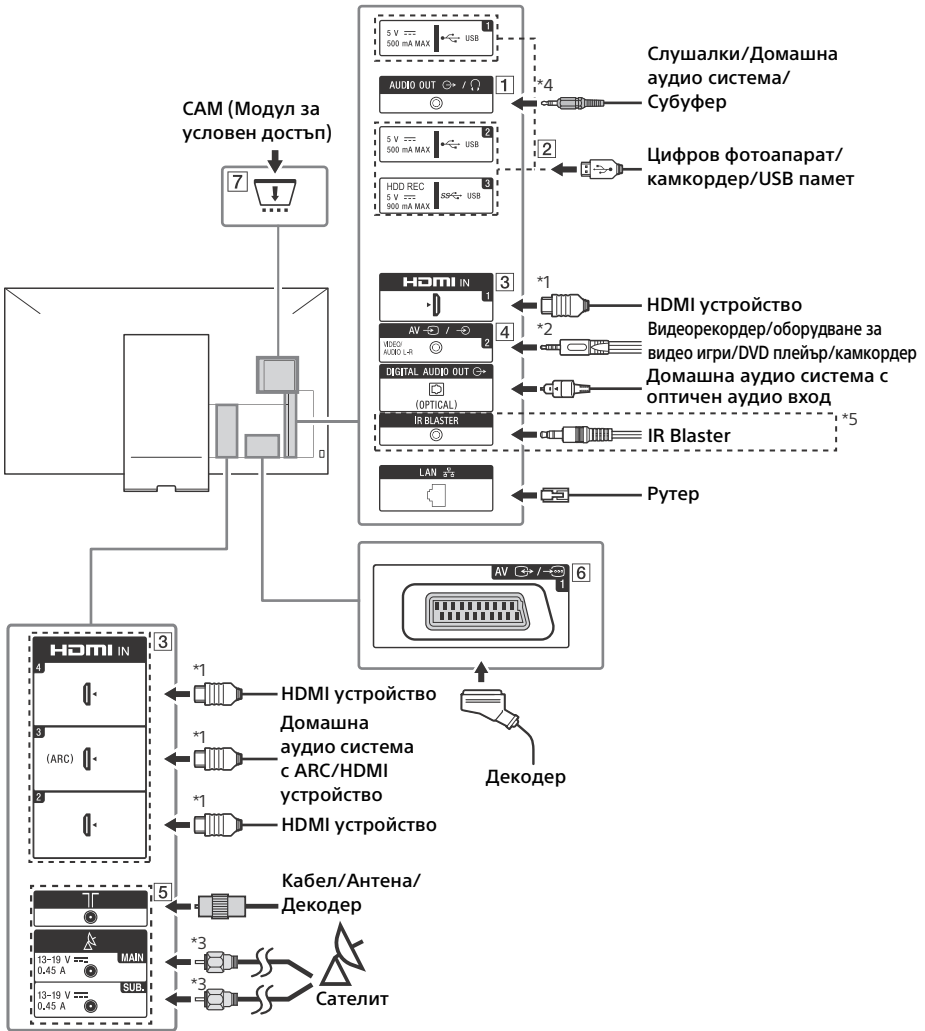
Записва текущата програма с помощта на функцията за запис USB HDD.

TITLE LIST

Показва списъка със записани заглавия.

Диаграма на свързване

За повече информация относно свързването вижте в Помощното ръководство (страница 2).



1 AUDIO OUT *4

- За да чувате звука от телевизора през свързаното оборудване, натиснете **HOME**. Изберете [Настройки] → [Звук] → [Слушалки/аудио изход], след което изберете желаня елемент.

2 **USB 1/2, SS USB 3 (HDD REC)*5**

- Свързването на голямо USB устройство може да повлияе на работата на други свързани устройства в близост до него.
- Когато свързвате голямо USB устройство, свързвайте го към куплунга USB 1.

3 HDMI IN 1/2/3/4

- Ако свързвате цифрова аудио система, съвместима с технологията Audio Return Channel (ARC), използвайте HDMI IN 3. В противен случай е необходима допълнителна връзка с DIGITAL AUDIO OUT (OPTICAL).

4 **AV 2**

- За композитна връзка използвайте предоставения аналогов удължителен кабел*5.

5 **Г (RF вход), (Сателитен вход)**

- Свързване за наземна/кабелна и сателитна телевизия. Стъпки на свързване: MAIN → антена → SUB.
- За SUB жак, свързвайте само когато използвате режим двоен тунер, с изключение на еднокабелно разпределение EN50494.

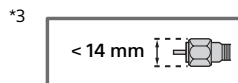
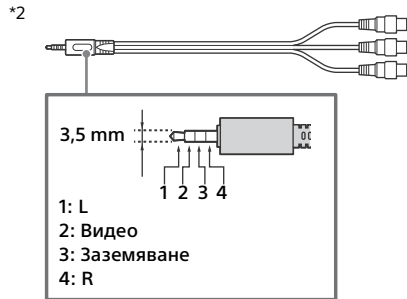
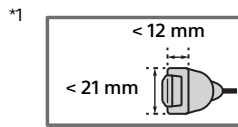
6 **AV 1**

- Свържете със SCART кабел. Когато свържете аналогов декодер, ТВ тунерът извежда кодирани сигнали към декодера, а декодерът ги декодира, преди да ги изведе.

7 **CAM (Модул за условен достъп)**

- Предоставя достъп до платени ТВ услуги. За подробности вижте ръководството с инструкции, доставено с вашия CAM.
- Не поставяйте смарт картата директно в CAM слота на телевизора. Тя трябва да се постави в модула за условен достъп, предоставен от вашия оператор.
- CAM не се поддържа в някои държави/зони. Проверете при вашия оператор.

- Когато превключите към цифрова програма след като гледате интернет видео, може да се появи CAM съобщение.



*4 Поддържа само стерео мини-жак с три полюса.

*5 Само за определени региони/страни/модели телевизори.

Монтаж на телевизора на стена

В това справочно ръководство е показана само подготовката за монтаж преди телевизорът да бъде монтиран на стената.

До потребителите:

От съображения за безопасност и за защита на продукта, Sony препоръчва монтажът на вашия телевизор да бъде извършен от дистрибутор на Sony или от лицензиран подизпълнител. Не се опитвайте да го монтирате сами.

До дистрибуторите на Sony и подизпълнителите:

Подходете с подчертано внимание към безопасността по време на монтажа, периодичната поддръжка и огледа на този продукт.

За монтажа на този продукт се изисква значителен опит, особено за определяне на здравината на стената, която трябва да издържи тежестта на телевизора. На всяка цена поверете закрепването на този продукт към стена на дистрибутори на Sony или лицензирани подизпълнители и по време на монтажа обърнете особено внимание на мерките за безопасност. Sony не носи отговорност за повреди или наранявания, причинени от неправилни манипулации или монтаж.

Използвайте конзола за окачване на стена SU-WL450 (не е доставена) (KD-65ZD9), за да монтирате телевизора на стена.

Когато монтирате конзолата за закрепване към стена, прочетете също инструкциите за работа и указанията за монтаж на конзолата за закрепване към стена.

Забележка

- Не пропускайте да запазите свалените винтове на сигурно място, като ги пазите от деца.

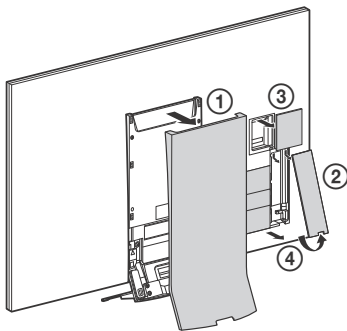


За инструкции относно монтажа на конзолата за закрепване на стена за вашия модел телевизор вижте следната уеб страница:

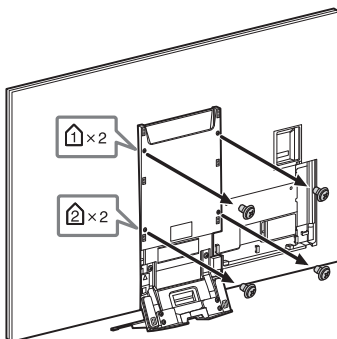
www.sony.eu/tv/wall-mount-bracket-manual

Само за KD-65ZD9

- 1 Свалете страничния, вътрешния, горния и централния капак.



- 2 Свалете винтовете от задната страна на телевизора.



Само за KD-75ZD9

Вашият телевизор може да бъде монтиран на конзола за закрепване към стена (не се доставя) директно след разопаковане.

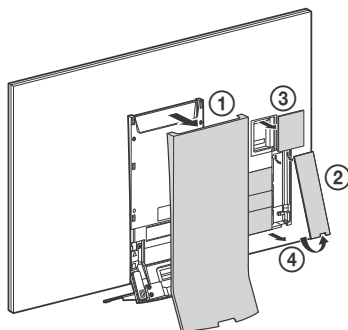
Подгответе телевизора за конзолата за закрепване към стена, преди да свържете кабелите.

От съображения за безопасност и за защита на продукта, Sony препоръчва монтажът на вашия телевизор да бъде извършен от квалифицирани професионалисти. Не се опитвайте да го монтирате сами.

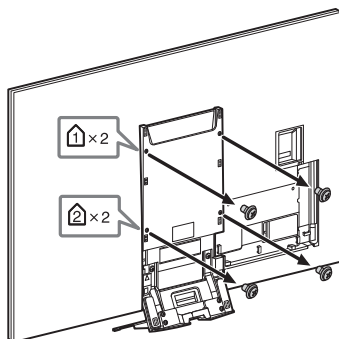
- Следвайте инструкциите, предоставени с конзолата за закрепване към стена за вашия модел. За монтажа на този телевизор се изисква значителен опит, особено за определяне на здравината на стената, която трябва да издържи тежестта на телевизора.
- Запазете оригиналните винтове и поставката за маса на сигурно място, докато сте готови да закачите поставката за маса. Дръжте винтовете настрана от малки деца.

Само за KD-75ZD9

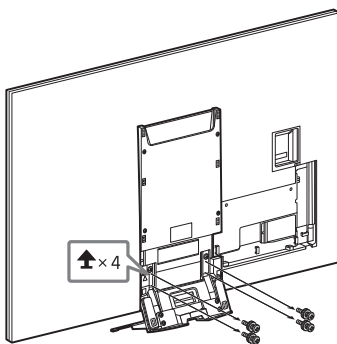
1 Свалете страничния, вътрешния, горния и централния капак.



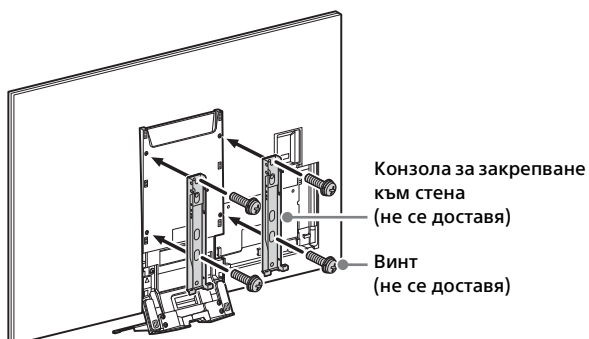
2 Свалете винтовете от задната страна на телевизора.



3 Свалете поставката за маса от телевизора.



4 Закачете конзолата за закрепване към стена (не се доставя) с помощта на винтовете (не се доставят).



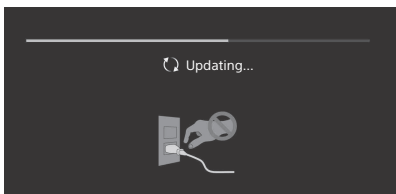
Забележка

- Ако използвате електрическа отвертка, настройте въртящия момент на около 1,5 N·m {15 kgf·cm}.

Отстраняване на неизправности

За да поддържате актуализиран софтуера на телевизора, е необходимо да изтеглите най-новата информация за него, посредством системата за цифрово разпространение или от Интернет, след което да актуализирате софтуера. Изберете [Обнови сега], за да стартирате актуализацията на софтуера. LED осветлението мига в бяло, докато трае актуализацията на софтуера.

Следният екран с [Updating...] (Обновяване...) ще се появи, докато трае обновяването на софтуера.



Не изключвайте захранващия кабел по време на актуализацията на софтуера. Ако го направите, е възможно актуализацията да не завърши напълно, което да доведе до неправилно функциониране на софтуера. Актуализацията на софтуера може да продължи до 30 минути. Ако не желаете автоматична актуализация на софтуера, натиснете, **HOME** и изберете [Помощ] → [Обновяване на системния софтуер] → [Автомат. изтегляне на софтуер] → [Изкл.].

Когато включвате телевизора, телевизорът може да не се включи за известно време дори ако натиснете захранващия бутон на дистанционното управление или телевизора, защото инициализацията на системата отнема време. Включването на LED осветлението и активирането на дистанционното управление отнема време, когато включвате телевизора чрез натискане на захранващия бутон на дистанционното управление или на телевизора.

Когато LED осветлението мига в червено, пребройте премигванията (интервалът е три секунди).

Ако LED осветлението свети в червено, рестартирайте телевизора, като го изключите от контакта за две минути, след което го включете отново.

Ако проблемът продължава, свържете се с вашия доставчик или сервизен център на Sony и съобщете броя на премигванията в червено на LED осветлението (интервалът е три секунди). Изключете от захранващата мрежа и уведомете вашия търговец или сервизния център на Sony.

Когато LED осветлението не мига, проверете елементите по-долу, както следва.

Вижте също и отстраняване на неизправности в Помощното ръководство или направете самодиагностика, като изберете [Помощ] → [Самодиагностика]. Ако проблемът продължава, телевизорът ви трябва да бъде проверен от квалифициран сервизен техник.

Проблеми и решения

Няма картина (екранът е тъмен) и няма звук.

- Проверете връзката с антената/кабела.
- Свържете телевизора със захранващия кабел и натиснете **⏻** на телевизора или на дистанционното управление.

Някои програми не могат да бъдат настроени.

- Проверете връзката с антената/кабела.
- Сателитният кабел може да е накъсо или да има проблеми със свързването на кабела. Проверете кабелната връзка и изключете телевизора от бутона за включване/изключване, после го включете отново.
- Въведената честота е извън обхват. Свържете се с компанията, разпространител на сателитните услуги.

Няма намерени кабелни ТВ услуги (програми).

- Проверете кабелната връзка или конфигурацията на настройката.
- Опитайте [Цифрова автоматична настройка], като изберете [Антенa] вместо [Кабел].

Дистанционното управление не работи.

- Сменете батериите.

Паролата за [Родителски контрол (Излъчване)] е била забравена.

- Въведете 9999 за ПИН код. Актуализирайте ПИН кода, като изберете [Настройки] → [Родителски контрол (Излъчване)] → [Смяна на ПИН кода].

Рамката на телевизора се затопля.

- Когато телевизорът се използва продължително време, рамката му се затопля. Може да усетите топлина, когато я докоснете с ръка.

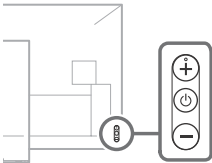
Няма аудио, замръзнало видео, празен екран или телевизорът не реагира на команди от бутоните на телевизора или дистанционното управление.

- Направете обикновено рестартиране на телевизора, като го изключите от променливотоковото захранване за 2 минути и след това го включите отново.

Не можете да намерите бутоните , , и на телевизора.

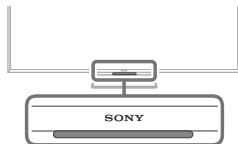
- Вижте илюстрацията по-долу относно местоположението на бутоните на телевизора.

Задна част на телевизора



LED осветлението е включено.


- Ако не искате LED осветлението да свети, можете да го изключите. Натиснете **HOME**, после изберете [Настройки] → [LED осветление] → [Изкл.].



Не може да се свърже с безжичен рутер чрез WPS (Wi-Fi Protected Setup).

- Ако използвате WEP защита, изберете [Лесно] → [Wi-Fi] → [Избор на мрежа от списък]. После изберете мрежовото име (SSID), към което искате да се свържете.

Не може да намери необходимото мрежово име в настройката на мрежата.

- Изберете [[Ръчно въвеждане]] и натиснете , за да въведете име на мрежа.

Спецификации

Система

Система на панела

- LCD (течнокристален дисплей) панел,
- LED подсветка

Телевизионна система

- В зависимост от вашата държава/избор на зона/модел на телевизора
- Аналогова: B/G, D/K, L, I
- Цифрова: DVB-T/DVB-C
- DVB-T2*
- Сателит*: DVB-S/DVB-S2

Цветова система

- PAL, SECAM, NTSC3.58 (само видео), NTSC4.43 (само видео)

Покритие на каналите

- В зависимост от вашата държава/избор на зона/модел на телевизора
- Аналогова: UHF/VHF/кабел
- Цифрова: UHF/VHF/кабел
- Сателит*: IF честота 950-2 150 MHz

Звуков изход

- 10 W + 10 W

Безжична технология

- IEEE802.11ac/a/b/g/n протокол (IEEE802.11ac може да не е налично в зависимост от страната/региона.)
- Bluetooth версия 4.1

* Не всички телевизори имат DVB-T2 или DVB-S/S2 технология или клема за сателитна антена.

Входно/изходни жакове

Антенен/кабел

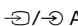
- 75 ома външен терминал за VHF/UHF

Сателитна антена

- Конектор тип F женски, 75 ома.
- DiSEqC 1.0, LNB 13 V/18 V & 22 kHz тон,
- Разпределяне по 1 кабел EN50494.

 AV 1

- 21-пинов SCART конектор (CENELEC стандарт) включително аудио/видео вход, RGB вход и TV аудио/видео изход.

 AV 2

- Видео/аудио вход (мини жак)

HDMI IN 1, 2, 3, 4 (поддържа 4K резолюция, Съвместим с HDCP 2.2)

Видео (2D):

- 4096 × 2160p (50, 60 Hz)*1, *2, 4096 × 2160p (24 Hz)*1, 3840 × 2160p (50, 60 Hz)*2, 3840 × 2160p (24, 25, 30 Hz), 1080p (30, 50, 60 Hz), 1080/24p, 1080i (50, 60 Hz), 720p (30, 50, 60 Hz), 720/24p, 576p, 576i, 480p, 480i, PC формати

*1 Показва се 3840 × 2160p, когато е въведено 4096 × 2160p

*2 Само HDMI IN 2 / 3.


Видео (3D) (Само за модели, съвместими с 3D):

- Пакетиране на кадри: 1080p (30Hz), 1080/24p, 1080i (50, 60Hz), 720p (30, 50, 60Hz), 720/24p
- Една до друга: 1080p (50, 60Hz), 1080/24p, 1080i (50, 60Hz), 720p (50, 60Hz)
- Една над друга: 1080p (30, 50, 60Hz), 1080/24p, 1080i (50, 60Hz), 720p (50, 60Hz)

Аудио: 5,1 канален линейен PCM: 32, 44,1, 48, 88,2, 96, 176,4 и 192 kHz, 16, 20 и 24 бита, Dolby Digital, Dolby Digital Plus и DTS ARC (Audio Return Channel) (само HDMI IN 3) (Двуканален линейен PCM, Dolby Digital, Dolby Digital Plus, DTS)


 DIGITAL AUDIO OUT (OPTICAL)

Цифров оптичен жак (Двуканален линейен PCM, Dolby Digital, DTS)

AUDIO OUT  (Стерео мини жак)

слушалки, аудио изход, суббуфер

 1,  2,  3 (HDD REC)*1

порт за USB устройство ( 3 USB HDD устройство за функция REC)

USB порт 1 и 2 поддържат High Speed USB (USB2.0).

USB порт 3 поддържа Super Speed USB (USB3.0).



CAM (модул за условен достъп) гнездо

 LAN

10BASE-T/100BASE-TX конектор (в зависимост от условията на работа на мрежата, скоростта на пренос на данните може да се различава. 10BASE-T/100BASE-TX за този телевизор не гарантира скорост и качество на комуникацията.)

IR BLASTER *1

Вход за IR Blaster кабел (мини жак)

Други

Акcesoари по избор

Конзола за закрепване към стена: SU-WL450
(Само за KD-65ZD9)
Безжичен субуфер: SWF-BR100
Активни 3D очила: TDG-BT500A



Работна температура

0 °C – 40 °C

Работна влажност

Относителна влажност 10 % – 80 % (без образуване на конденз)

Захранване, фиш на продукта и други

Изисквания за захранване

Номинално входно напрежение:
220 V – 240 V AC, 50 Hz

Енергиен клас

KD-75ZD9: B
KD-65ZD9: B

Размер на екрана (измерен по диагонала) (прибл.)

KD-75ZD9: 189,3 cm / 75 инча
KD-65ZD9: 163,9 cm / 65 инча

Консумация на енергия

в [Стандартен] режим

KD-75ZD9: 259 W
KD-65ZD9: 210 W

в [Ярък] режим

KD-75ZD9: 453 W
KD-65ZD9: 347 W

Средно годишно потребление на енергия*2

KD-75ZD9: 359 kWh
KD-65ZD9: 291 kWh

Консумация на енергия в режим

Готовност*3*4

0,50 W (27 W в режим на актуализация на софтуер/EPG)

Резолюция на дисплея

3 840 точки (по хоризонтала) × 2 160 реда (по вертикала)

Изходни номинални данни

USB 1/2: 5 V, $\overline{=}$, 500 mA (макс.)
USB 3: 5 V, $\overline{=}$, 900 mA (макс.)

Габарити (прибл.) (ш × в × д)

с поставка за маса

KD-75ZD9: 168,4 × 104,7 × 27,8 cm
KD-65ZD9: 146,2 × 92,0 × 26,8 cm

без поставка за маса

KD-75ZD9: 168,4 × 97,3 × 7,8 cm
KD-65ZD9: 146,2 × 84,7 × 7,8 cm

Тегло (прибл.)

с поставка за маса

KD-75ZD9: 45,1 kg
KD-65ZD9: 35,7 kg

без поставка за маса

KD-75ZD9: 41,3 kg
KD-65ZD9: 32 kg

- *1 Само за определени региони/страни/модели телевизори.
- *2 Консумация на енергия на година, базирано на консумацията на телевизор, който работи 4 часа на ден, 365 дни. Действителната консумация на енергия зависи от това как се използва телевизора.
- *3 Указаната консумация на енергия в режим Готовност се достига след като телевизорът приключи необходимите вътрешни процеси.
- *4 Консумацията на енергия в режим готовност ще се увеличи, когато вашият телевизор е свързан към мрежа.


Забележка

- Не изваждайте имитационната карта от ТВ CAM (модул за условен достъп) слота, освен за да поставите смарт карта с CAM.
- Наличието на опционални акcesoари зависи от държавата/региона/модела на телевизора и наличността.
- Дизайнът и спецификациите подлежат на промяна без предупреждение.

Забележка за цифровата функция на телевизора

- Всяка функция, свързана с цифровата телевизия (DVB), ще работи само в държавите и областите, в които се предлагат DVB-T/DVB-T2 (MPEG-2 и H.264/MPEG-4 AVC) цифрови наземни сигнали, или там, където има достъп до съвместима с DVB-C (MPEG-2 и H.264/MPEG-4 AVC) кабелна услуга. Проверете при вашия местен доставчик дали там, където живеете, можете да приемате DVB-T/DVB-T2 сигнал или попитайте вашия доставчик на кабелна телевизия дали тяхната DVB-C кабелна услуга е подходяща за съвместна работа с този телевизор.
- Възможно е вашият кабелен доставчик да ви поиска такса за своите услуги или да поиска да се съгласите с правилата и условията, който той налага.
- Въпреки че този телевизор отговаря на DVB-T/DVB-T2 и DVB-C спецификациите, съвместимостта му с бъдещи DVB-T/DVB-T2 цифрови наземни и DVB-C цифрови кабелни излъчвания не е гарантирана.
- Възможно е определени цифрови функции на телевизора да не работят в някои държави/региони и DVB-C кабелната услуга може да не работи правилно с някои доставчици.

Информация за търговски марки

- Термините HDMI и HDMI High-Definition Multimedia Interface, както и логото HDMI са търговски марки или запазени търговски марки на HDMI Licensing LLC в САЩ и други държави.
- Произведено по лиценз на Dolby Laboratories. Dolby, Dolby Audio и символът двойно "D" са регистрирани търговски марки на Dolby Laboratories.
- "BRAVIA" и BRAVIA са търговска марка на Sony Corporation.
- Gracenote, Gracenote eyeQ, Gracenote VideoID, Gracenote Video Explore, логото и логотипът Gracenote, както и логото "Powered by Gracenote" са регистрирани търговски марки или търговски марки на Gracenote в САЩ и/или други държави.
- Opera® Devices SDK from Opera Software ASA. Copyright 1995-2015 Opera Software ASA. All rights reserved.
- Wi-Fi, Wi-Fi Direct, Miracast, Wi-Fi Protected Setup и логото Wi-Fi CERTIFIED са търговски марки или регистрирани търговски марки на Wi-Fi Alliance.
- За DTS патенти, вижте <http://patents.dts.com>. Произведено по лиценз на DTS, Inc. DTS, символът, & DTS и символът заедно са регистрирани търговски марки, а DTS Digital Surround е търговска марка на DTS, Inc. © DTS, Inc. Всички права запазени.
- QuickSet и логото на QuickSet са търговски марки на Universal Electronics Inc. Portions © UEI 2000-2015 г.
- Знакът Bluetooth® и фирмените знаци са регистрирани търговски марки собственост на Bluetooth SIG, Inc. и използването на тези знаци от Sony Corporation е по лиценз.
- DiSEqC™ е търговска марка на EUTELSAT. Този телевизор поддържа DiSEqC 1.0. Този телевизор не е предназначен за управление на антени с мотор.
- TUXERA е регистрирана търговска марка на Tuxera Inc. в САЩ и други страни.
- Логото USB-IF SuperSpeed USB Trident е регистрирана търговска марка на USB Implementers Forum, Inc. 

Περιεχόμενα

ΣΗΜΑΝΤΙΚΗ ΣΗΜΕΙΩΣΗ	4
Πληροφορίες σχετικά με την ασφάλεια	4
Προφυλάξεις	7
Εξαρτήματα και χειριστήρια	9
Χειριστήρια και ενδείξεις	9
Χρήση του Τηλεχειριστηρίου	10
Περιγραφή μερών του τηλεχειριστηρίου	10
Διάγραμμα συνδέσεων	12
Εγκατάσταση της τηλεόρασης στον τοίχο	14
μόνο για KD-75ZD9	16
Αντιμετώπιση προβλημάτων	18
Προβλήματα και λύσεις	18
Τεχνικά χαρακτηριστικά	20

Εισαγωγή

Σας ευχαριστούμε που επιλέξατε αυτό το προϊόν της Sony. Προτού χρησιμοποιήσετε την τηλεόραση, διαβάστε προσεκτικά αυτό το εγχειρίδιο οδηγιών και φυλάξτε το για μελλοντική χρήση.

Σημείωση

- Προτού θέσετε σε λειτουργία την τηλεόραση, διαβάστε την ενότητα "Πληροφορίες σχετικά με την ασφάλεια" (σελίδα 4).
- Οι εικόνες και τα γραφικά που χρησιμοποιούνται στον Οδηγό εγκατάστασης και σε αυτό το εγχειρίδιο παρέχονται μόνο για λόγους αναφοράς και ενδέχεται να διαφέρουν από το πραγματικό προϊόν.

Θέση του Οδηγού εγκατάστασης

Ο Οδηγός εγκατάστασης βρίσκεται στο πάνω μέρος του προστατευτικού υλικού εντός του χαρτόκουτου της τηλεόρασης.

Οδηγός βοήθειας

Το χαρακτηριστικό Βοήθειας προσφέρει πολλές πληροφορίες σχετικά με την τηλεόρασή σας. Για να χρησιμοποιήσετε το χαρακτηριστικό Βοήθειας, πατήστε **HELP** στο τηλεχειριστήριο. Μπορείτε να βρείτε πληροφορίες χρήσης και αντιμετώπισης προβλημάτων από τη λίστα ή με φωνητική αναζήτηση ή αναζήτηση κειμένου λέξεων κλειδιών. Επιλέξτε [Οδηγός βοήθειας] στο Μενού Βοήθειας για να δείτε το εγχειρίδιο. Αν συνδέσετε την τηλεόρασή σας στο internet, το χαρακτηριστικό Βοήθειας και οι πληροφορίες θα ενημερωθούν.

Θέση της αναγνωριστικής ετικέτας

Οι ετικέτες με τον Αριθμό μοντέλου, την Ημερομηνία παραγωγής (έτος/μήνας) και την Ονομαστική τιμή ισχύος βρίσκονται στο πίσω μέρος της τηλεόρασης ή του πακέτου. Μπορείτε να τις βρείτε αφαιρώντας το κεντρικό κάλυμμα.

ΠΡΟΕΙΔΟΠΟΪΣΗ

ΓΙΑ ΤΗΝ ΑΠΟΤΡΟΠΗ

ΕΞΑΠΛΩΣΗΣ

ΠΥΡΚΑΓΙΑΣ, ΔΙΑΤΗΡΕΙΤΕ

ΠΑΝΤΑ ΤΑ ΚΕΡΙΑ Η ΑΛΛΕΣ

ΕΛΕΥΘΕΡΕΣ ΦΛΟΓΕΣ ΜΑΚΡΙΑ

ΑΠΟ ΑΥΤΟ ΤΟ ΠΡΟΪΟΝ.



Ευρωπαϊκή Εγγύηση Sony

Αγαπητέ πελάτη

Σας ευχαριστούμε που αγοράσατε αυτό το προϊόν της Sony. Ελπίζουμε να μείνετε ικανοποιημένοι από τη χρήση του. Στην περίπτωση που το προϊόν σας χρειαστεί σέρβις (επισκευή) κατά τη διάρκεια της εγγύησης, παρακαλείσθε να επικοινωνήσετε με το κατάστημα αγοράς ή με ένα μέλος του δικτύου μας εξουσιοδοτημένων Service (ASN) της Ευρωπαϊκής Οικονομικής Ζώνης (ΕΟΖ) ή και άλλων χωρών που αναφέρονται σ' αυτήν την εγγύηση ή στα συνοδευόμενα φυλλάδια (Περιοχή Κάλυψης της Εγγύησης). Μπορείτε να βρείτε πληροφορίες για τα μέλη του δικτύου μας ASN, για παράδειγμα σε τηλεφωνικούς καταλόγους, στους καταλόγους προϊόντων μας και στις ιστοσελίδες μας. Για να αποφύγετε κάθε περιττή ταλαιπωρία σας, συνιστούμε να διαβάσετε προσεκτικά το εγχειρίδιο χρήσης προτού ψάξετε για επισκευή κατά τη διάρκεια της εγγύησης.

Η Εγγύησή Σας

Η παρούσα εγγύηση ισχύει για το προϊόν της Sony που αγοράσατε, εφ' όσον κάτι τέτοιο αναφέρεται στα φυλλάδια που συνοδεύουν το προϊόν σας, υπό την προϋπόθεση ότι αγοράστηκε εντός της Περιοχής Κάλυψης της Εγγύησης. Με την παρούσα, η Sony εγγυάται ότι το προϊόν είναι απαλλαγμένο από κάθε ελάττωμα σχετιζόμενο με τα υλικά ή την κατασκευή, για μια περίοδο ΔΥΟ ΕΤΩΝ από την ημερομηνία της αρχικής αγοράς. Η αρμόδια για να προσφέρει και εκπληρώσει την παρούσα εγγύηση εταιρεία Sony, είναι αυτή που αναφέρεται σ' αυτήν την Εγγύηση ή στο συνοδευόμενο αυτήν φυλλάδιο στη χώρα όπου επιδιώκεται η επισκευή κατά τη διάρκεια της εγγύησης. Εάν, εντός της περιόδου εγγύησης, αποδειχθεί ελαττωματικό το προϊόν (κατά την ημερομηνία της αρχικής αγοράς) λόγω ακατάλληλων υλικών ή κατασκευής, η Sony ή ένα μέλος του δικτύου Εξουσιοδοτημένων Service ASN της Περιοχής Κάλυψης της Εγγύησης θα επισκευάσει ή θα αντικαταστήσει (κατ' επιλογή της Sony) χωρίς επιβάρυνση για εραμτικά ή ανταλλακτικά, το προϊόν ή τα ελαττωματικά εξαρτήματά του, εντός εύλογου χρόνου, βάσει των όρων και συνθηκών που εκτίθενται παρακάτω. Η Sony και τα μέλη του δικτύου Εξουσιοδοτημένων Service ASN μπορούν να αντικαταστήσουν ελαττωματικά προϊόντα ή εξαρτήματα με νέα ή ανακυκλωμένα προϊόντα ή εξαρτήματα. Όλα τα προϊόντα και εξαρτήματα που έχουν αντικατασταθεί γίνονται ιδιοκτησία της Sony.

Όροι

1. Επισκευές δυνάμει της παρούσας εγγύησης θα παρέχονται μόνο εάν προσκομισθεί το πρωτότυπο τιμολόγιο ή η απόδειξη πώλησης (με την ένδειξη της ημερομηνίας αγοράς, του μοντέλου του προϊόντος και του ονόματός του εμπόρου) μαζί με το ελαττωματικό προϊόν εντός της περιόδου εγγύησης. Η Sony και τα μέλη του δικτύου Εξουσιοδοτημένων σέρβις (ASN) μπορούν να αρνηθούν τη δωρεάν επισκευή κατά την περίοδο εγγυήσεως εάν δεν προσκομισθούν τα προαναφερόμενα έγγραφα ή εάν δεν προκύπτουν από αυτά η ημερομηνία αγοράς, το προϊόν ή το μοντέλο του προϊόντος ή το όνομα του εμπόρου. Η παρούσα εγγύηση δεν ισχύει εάν ο τύπος του μοντέλου ή ο σειριακός αριθμός του προϊόντος έχει αλλοιωθεί, διαγραφεί, αφαιρεθεί ή καταστεί δυσανάγνωστος.
2. Για να αποφευχθεί βλάβη ή απώλεια/διαγραφή σε αφαιρούμενα ή αποσπώμενα μέσα ή εξαρτήματα αποθήκευσης δεδομένων, οφείλετε να τα αφαιρέσετε πριν παραδώσετε το προϊόν σας για επισκευή κατά την περίοδο εγγύησης.
3. Η παρούσα εγγύηση δεν καλύπτει τα έξοδα και τους κινδύνους μεταφοράς που συνδέονται με τη μεταφορά του προϊόντος σας προς και από τη Sony ή μέλος του δικτύου ASN.
4. Η παρούσα εγγύηση δεν καλύπτει τα εξής:
 - Περιοδική συντήρηση και επισκευή ή αντικατάσταση εξαρτημάτων ως αποτέλεσμα φυσιολογικής φθοράς.
 - Αναλώσιμα (συστατικά μέρη για τα οποία προβλέπεται περιοδική αντικατάσταση κατά τη διάρκεια ζωής ενός προϊόντος όπως δημ. επαναφορτιζόμενες μπαταρίες, φυσίγγια εκτύπωσης, γραφίδες, λάμπες, κλπ.).
 - Ζημιά ή ελαττώματα που προκλήθηκαν λόγω χρήσης, λειτουργίας ή χειρισμού ασύμβατων με την κανονική ατομική ή οικιακή χρήση.

- Ζημιά ή αλλαγές στο προϊόν που προκλήθηκαν από
 - Κακή χρήση, συμπεριλαμβανομένου:
 - Του χειρισμού που επιφέρει φυσική, αισθητική ή επιφανειακή ζημιά ή αλλαγές στο προϊόν ή βλάβη σε εθόμενα υγράν κρυστάλλων
 - Μη κανονική ή μη σύμφωνα με τις οδηγίες της Sony εγκατάσταση ή χρήση του προϊόντος
 - Μη συντήρηση του προϊόντος σύμφωνα με τις οδηγίες σωστής συντήρησης της Sony
 - Εγκατάσταση ή χρήση του προϊόντος με τρόπο μη σύμφωνα με τις τεχνικές προδιαγραφές και τα πρότυπα ασφαλείας που ισχύουν στη χώρα όπου έχει εγκατασταθεί και χρησιμοποιείται το προϊόν.
 - Μολύνσεις από ιούς ή χρήση του προϊόντος με λογισμικό που δεν παρέχεται με το προϊόν ή λανθασμένη εγκατάσταση του λογισμικού.
 - Την κατάσταση ή τα ελαττώματα των συστημάτων με τα οποία χρησιμοποιείται ή στα οποία ενσωματώνεται το προϊόν εκτός από άλλα προϊόντα της Sony ειδικά σχεδιασμένα για να χρησιμοποιούνται με το εν λόγω προϊόν.
 - Χρήση του προϊόντος με εξαρτήματα, περιφερειακό εξοπλισμό και άλλα προϊόντα των οποίων ο τύπος, η κατάσταση και το πρότυπο δεν συνιστώνται από τη Sony.
 - Επισκευή ή επιχειρηθείσα επισκευή από άτομα που δεν είναι μέλη της Sony ή του δικτύου ASN.
 - Ρυθμίσεις ή προσαρμογές χωρίς την προηγούμενη γραπτή συγκατάθεση της Sony, στις οποίες συμπεριλαμβάνονται:
 - η αναβάθμιση του προϊόντος πέρα από τις προδιαγραφές ή τα χαρακτηριστικά που περιγράφονται στο εγχειρίδιο χρήσης ή
 - οι τροποποιήσεις του προϊόντος με σκοπό να συμμορφωθεί προς εθνικές ή τοπικές τεχνικές προδιαγραφές και πρότυπα ασφαλείας που ισχύουν σε χώρες για τις οποίες το προϊόν δεν είχε σχεδιαστεί και κατασκευαστεί ειδικά.
 - Αμέλεια.
 - Ατυχήματα, πυρκαγιά, υγρά, χημικές ή άλλες ουσίες, πλημμύρα, δονήσεις, υπερβολική θερμότητα, ακατάλληλο εξερισμό, υπέρταση, υπερβολική ή εσφαλμένη τροφοδοσία ή τάση εισόδου, ακτινοβολία, ηλεκτροστατικές εκκενώσεις συμπεριλαμβανομένου του κεραυνού, άλλων εξωτερικών δυνάμεων και επιδράσεων.
5. Η παρούσα εγγύηση καλύπτει μόνο τα υλικά μέρη του προϊόντος. Δεν καλύπτει το λογισμικό (είτε της Sony, είτε τρίτων κατασκευαστών) για το οποίο παρέχεται ή πρόκειται να ισχύσει μια άδεια χρήσης από τον τελικό χρήστη ή χωριστές δηλώσεις εγγύησης ή εξαιρέσεις από την εγγύηση.

Εξαιρέσεις και περιορισμοί

Με εξαίρεση των όσων αναφέρονται ανωτέρω, η Sony δεν παρέχει καμία εγγύηση (ρητή, σιωπηρή, εκ του νόμου ή άλλη) όσον αφορά την ποιότητα, την επίδοση, την ακρίβεια, την αξιοπιστία, την καταλληλότητα του προϊόντος ή του λογισμικού που παρέχεται ή συνοδεύει το προϊόν, για συγκεκριμένο σκοπό. Εάν η ισχύουσα νομοθεσία απαγορεύει πλήρως ή μερικώς την παρούσα εξαίρεση, η Sony εξαιρεί ή περιορίζει την εγγύηση της μόνο στη μέγιστη έκταση που επιτρέπει η ισχύουσα νομοθεσία. Οποιαδήποτε εγγύηση ή οποία δεν εξαιρείται πλήρως (στο μέτρο που το επιτρέπει ο ισχύων νόμος) θα περιορίζεται στη διάρκεια ισχύος της παρούσας εγγύησης. Η μοναδική υποχρέωση της Sony σύμφωνα με την παρούσα εγγύηση είναι η επισκευή ή η αντικατάσταση προϊόντων που υποκείμενα στους όρους και συνθήκες της εγγύησης. Η Sony δεν ευθύνεται για οποιαδήποτε απώλεια ή ζημιά που σχετίζεται με τα προϊόντα, το σέρβις, την παρούσα εγγύηση, συμπεριλαμβανομένων - των οικονομικών και άυλων απωλειών - του τιμήματος που καταβλήθηκε για την αγορά του προϊόντος - της απώλειας κερδών, εισοδήματος, δεδομένων, απόλαυσης ή χρήσης του προϊόντος ή οποιασδήποτε συνδεδεμένων προϊόντων - της άμεσης, παρεμπιπτότητας ή επακόλουθης απώλειας ή ζημίας ακόμη και αν αυτή η απώλεια ή ζημιά αφορά σε:

- Μειωμένη λειτουργία ή μη λειτουργία του προϊόντος ή συνδεδεμένων προϊόντων λόγω ελαττωμάτων ή μη διαθεσιμότητας κατά την περίοδο που αυτό βρίσκεται στη Sony ή σε μέλος του δικτύου ASN, η οποία προκάλεσε διακοπή διαθεσιμότητας του προϊόντος, νόμιμα χρονοῦ χρήστη ή διακοπή της εργασίας.

- Παροχή ανακριβών πληροφοριών που ζητήθηκαν από το προϊόν ή από συνδεδεμένα προϊόντα.
- Ζημιά ή απώλεια λογισμικών προγραμμάτων ή αφαιρούμενων μέσων αποθήκευσης δεδομένων ή
- Μολύνσεις από ιούς ή άλλες αιτίες.

Τα ανωτέρω ισχύουν για απώλειες και ζημιές, που υπόκεινται σε οποιοσδήποτε γενικές αρχές δικαίου, συμπεριλαμβανομένης της αμέλειας ή άλλων αδιοπραξιών, αθέτησης σύμβασης, ρητής ή σιωπηρής εγγύησης, και απόλυτης ευθύνης (ακόμα και για θέματα για τα οποία η Sony ή μέλος του δικτύου ASN έχει ειδοποιηθεί για τη δυνατότητα πρόκλησης τέτοιων ζημιών).

Στο μέτρο που η ισχύουσα νομοθεσία απαγορεύει ή περιορίζει αυτές τις εξαιρέσεις ευθύνης, η Sony εξαιρεί ή περιορίζει την ευθύνη της μόνο στη μέγιστη έκταση που της επιτρέπει η ισχύουσα νομοθεσία. Για παράδειγμα, μερικά κράτη απαγορεύουν την εξαίρεση ή τον περιορισμό ζημιών που οφείλονται σε αμέλεια, σε βαριά αμέλεια, σε εκ προθέσεως παράπτωμα, σε δόλο και παρόμοιες πράξεις. Σε καμία περίπτωση, η ευθύνη της Sony κατά την παρούσα εγγύηση, δεν υπερβαίνει την τιμή που καταβλήθηκε για την αγορά του προϊόντος, ωστόσο αν η ισχύουσα νομοθεσία επιτρέπει μόνο περιορισμούς ευθυνών υψηλότερου βαθμού, θα ισχύουν οι τελευταίοι.

Τα επιφύλασσόμενα νόμιμα δικαιώματά σας
Ο καταναλωτής έχει έναντι της Sony τα δικαιώματα που απορρέουν από την παρούσα εγγύηση, σύμφωνα με τους όρους που περιέχονται σε αυτήν, χωρίς να παραβιάζονται τα δικαιώματά του που προηγούνται από την ισχύουσα εθνική νομοθεσία σχετικά με την πώληση καταναλωτικών προϊόντων. Η παρούσα εγγύηση δεν θίγει τα νόμιμα δικαιώματα που ενδεχομένως να έχετε, ούτε εκείνα που δεν μπορούν να εξαιρεθούν ή να περιοριστούν, ούτε δικαιώματά σας εναντίον των προσώπων από τα οποία αγοράσατε το προϊόν. Η διεκδίκηση οποιωνδήποτε δικαιωμάτων σας εναπομένει αποκλειστικά σε εσάς.

SONY EUROPE LIMITED, δ.τ. SONY HELLAS

Αμαρουσίου – Χαλανδρίου 18-20,
15125, Μαρούσι
Ελλάδα

Τμήμα Εξυπηρέτησης Καταναλωτών Sony

e-mail : cic-greece@eu.sony.com

Τηλέφωνο:

Για Ελλάδα

- 00800 4412 1496 (για κλήσεις από σταθερό τηλέφωνο - άνευ χρέωσης)
- 211 1980 703 (για κλήσεις από κινητό τηλέφωνο - με την τυπική χρέωση κλήσης από σταθερό σε κινητό)

Για Κύπρο

- 800 91150 (για κλήσεις τόσο από σταθερό όσο και από κινητό - άνευ χρέωσης)

ΣΗΜΑΝΤΙΚΗ ΣΗΜΕΙΩΣΗ

Αυτό το προϊόν έχει κατασκευαστεί από ή για λογαριασμό της Sony Corporation, 1-7-1 Konan Minato-ku Tōkyō, 108-0075 Ιαπωνία. Ερωτήσεις σχετικά με την συμμόρφωση του προϊόντος ως προς τη νομοθεσία της Ευρωπαϊκής Ένωσης θα πρέπει να απευθύνονται στον εξουσιοδοτημένο εκπρόσωπο Sony Belgium, bijkantoor van Sony Europe Limited, Da Vincilaan 7-D1, 1935 Zaventem, Βέλγιο. Για οποιοδήποτε θέμα υποστήριξης ή εγγύησης του προϊόντος, παρακαλώ ανατρέξτε στις διευθύνσεις που παρέχονται στα ειδικά έγγραφα υποστήριξης ή εγγύησης.

Σημείωση για το Ασύρματο σήμα



Με την παρούσα, η Sony Corporation δηλώνει ότι αυτό το προϊόν συμμορφώνεται προς τις ουσιαστές απαιτήσεις και τις λοιπές σχετικές διατάξεις της Οδηγίας 1999/5/ΕΚ.

Για λεπτομέρειες, παρακαλούμε όπως ελέγξετε την ακόλουθη σελίδα του διαδικτύου:

<http://www.compliance.sony.de/>

Σημείωση για τους πελάτες: οι παρακάτω πληροφορίες αφορούν μόνο εξοπλισμό που πωλείται σε χώρες όπου ισχύουν οι οδηγίες της Ε.Ε.

Το ασύρματο σύστημα τηλεόρασης μπορεί να χρησιμοποιηθεί στις παρακάτω χώρες:

AT, BE, HR, CY, CZ, DK, EE, FI, FR, DE, GR, HU, IE, IT, LV, LT, LU, MT, NL, PL, PT, SK, SI, ES, SE, GB, IS, LI, NO, CH, BG, RO, TR, AL, BA, MK, MD, RS, ME, Κόσοβο

Ο εξοπλισμός μπορεί να χρησιμοποιηθεί σε άλλες χώρες εκτός της Ευρώπης.

Πληροφορίες σχετικά με την ασφάλεια

ΠΡΟΕΙΔΟΠΟΙΗΣΗ

Οι μπαταρίες δεν θα πρέπει να εκτίθενται σε υπερβολική θερμότητα, π.χ. στο φως του ήλιου, φωτιά ή παρόμοια κατάσταση.

Ποτέ μην τοποθετείτε την τηλεόραση σε μη σταθερή θέση. Η τηλεόραση μπορεί να πέσει, προκαλώντας σοβαρό τραυματισμό ή θάνατο. Πολλοί τραυματισμοί, ιδιαίτερα παιδιών, μπορούν να αποφευχθούν με τη λήψη απλών προφυλάξεων όπως:

- Η χρήση επίπλων ή βάσεων που συνιστώνται από τον κατασκευαστή της τηλεόρασης.
- Η χρήση μόνο επίπλων που μπορούν με ασφάλεια να στηρίξουν την τηλεόραση.
- Φροντίζοντας η τηλεόραση να μην εξέχει από την άκρη του επίπλου στο οποίο είναι τοποθετημένη.
- Η αποφυγή τοποθέτησης της τηλεόρασης σε ψηλά έπιπλα (για παράδειγμα, ντουλάπια ή βιβλιοθήκες) χωρίς τη στερέωση τόσο του επίπλου όσο και της τηλεόρασης σε κατάλληλο στήριγμα.
- Η αποφυγή τοποθέτησης της τηλεόρασης πάνω σε ύφασμα ή άλλα υλικά που μπορεί να τοποθετούνται μεταξύ της τηλεόρασης και του επίπλου στο οποίο είναι τοποθετημένη.
- Η εκπαίδευση των παιδιών σχετικά με τους κινδύνους σκαφαλώματος σε έπιπλα για να φτάσουν την τηλεόραση ή τα χειριστήριά της.

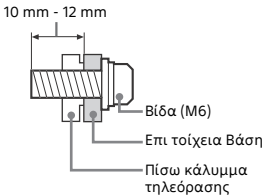
Αν θα κρατήσετε και θα αλλάξετε θέση στην τηλεόραση που ήδη έχετε, πρέπει να λάβετε και πάλι υπόψη τα παραπάνω σημεία.

Εγκατάσταση/Ρύθμιση

Προκειμένου να αποφύγετε τυχόν κινδύνους πυρκαγιάς, ηλεκτροπληξίας ή ζημιάς ή/και τραυματισμών, εγκαταστήστε και χρησιμοποιήστε την τηλεόραση σύμφωνα με τις παρακάτω οδηγίες.

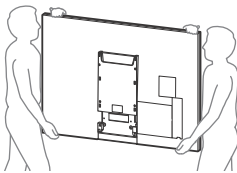
Εγκατάσταση

- Η τηλεόραση πρέπει να εγκατασταθεί κοντά σε παροχή ρεύματος εύκολα προσβάσιμη.
- Τοποθετήστε την τηλεόραση σε μια σταθερή, επίπεδη επιφάνεια, ώστε να αποφευχθεί η πτώση της και η πρόκληση ανθρώπινου τραυματισμού ή ζημιάς.
- Εγκαταστήστε την τηλεόραση σε ένα σημείο στο οποίο δεν θα κινδυνεύει να τραβηχτεί, να σπρωχθεί ή να ανατραπεί.
- Η εγκατάσταση στον τοίχο πρέπει να πραγματοποιείται μόνο από εξειδικευμένο προσωπικό.
- Για λόγους ασφαλείας, συστήνεται η χρήση των εξαρτημάτων της Sony, μεταξύ των οποίων περιλαμβάνονται:
Επι τοίχια Βάση
— SU-WL450 (μόνο για KD-65ZD9)
- Βεβαιωθείτε ότι χρησιμοποιείτε τις βίδες που παρέχονται με την Επιτοίχια βάση όταν τοποθετείτε την Επιτοίχια βάση στην τηλεόραση. Οι βίδες που παρέχονται έχουν σχεδιαστεί, έτσι ώστε να έχουν τις διαστάσεις που υποδεικνύονται στην εικόνα, όταν τις μετρήσουμε από την επιφάνεια στερέωσης της Επιτοίχιας βάσης.
Η διάμετρος και το μήκος των βιδών διαφέρουν ανάλογα με το μοντέλο του επιτοίχιου στηρίγματος.
Η χρήση διαφορετικών βιδών από αυτές που παρέχονται μπορεί να προκαλέσει εσωτερική ζημιά στην τηλεόραση ή μπορεί να πέσει, κλπ.



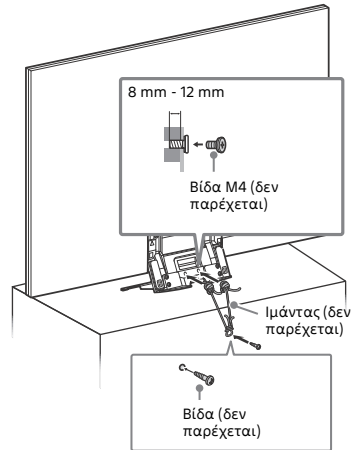
Μεταφορά

- Πρωτό μεταφέρετε την τηλεόραση, αποσυνδέστε όλα τα καλώδια.
- Για τη μεταφορά μιας μεγάλης τηλεόρασης χρειάζονται δύο ή τρία άτομα.
- Όταν μεταφέρετε την τηλεόραση με τα χέρια, να την κρατάτε όπως υποδεικνύεται παρακάτω. Μην ασκείτε πίεση στην οθόνη LCD και στο πλαίσιο που περιβάλλει την οθόνη.



- Κατά τη μεταφορά, μην υποβάλλετε την τηλεόραση σε χτυπήματα ή υπερβολικούς κραδασμούς.
- Όταν μεταφέρετε την τηλεόραση για επίσκεψη ή όταν την μεταφέρετε σε άλλο χώρο, συσκευάστε την χρησιμοποιώντας το αρχικό χαρτόκουτο και τα υλικά συσκευασίας.

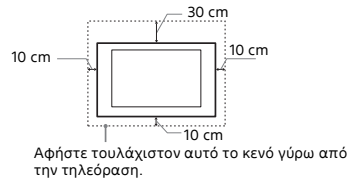
Αποτροπή πτώσης



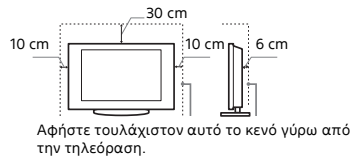
Εξαιρισμός

- Μην καλύπτετε ποτέ τις οπές αερισμού του περιβλήματος και μην εισάγετε σιδήριτες στο εσωτερικό του περιβλήματος.
- Αφήστε χώρο γύρω από την τηλεόραση όπως φαίνεται παρακάτω.
- Συνιστάται θερμά η χρήση του στηρίγματος τοίχου της Sony ώστε να είναι δυνατή η επαρκής κυκλοφορία του αέρα στην τηλεόραση.

Εγκατάσταση στον τοίχο

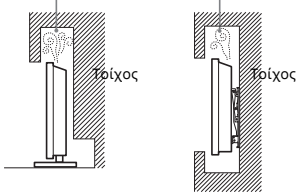


Εγκατάσταση με βάση



- Για να εξασφαλιστεί τον κατάλληλο εξαερισμό και για να αποφευχθεί η συσσώρευση ακαθαρσιών ή σκόνης:
 - Μην τοποθετείτε την τηλεόραση σε οριζόντια θέση (με την οθόνη προς τα πάνω ή προς τα κάτω), αναποδογυρισμένη ή στο πλάι.
 - Μην τοποθετείτε την τηλεόραση πάνω σε ράφι, χαλί, κρεβάτι ή μέσα σε ντουλάπα.
 - Μην καλύπτετε την τηλεόραση με υφάσματα όπως κουρτίνες, ή αντικείμενα όπως εφημερίδες, κλπ.
 - Μην τοποθετείτε την τηλεόραση όπως φαίνεται παρακάτω.

Η κυκλοφορία του αέρα έχει μπλοκαριστεί.



Καλώδιο τροφοδοσίας

Προκειμένου να αποφύγετε τυχόν κινδύνους πυρκαγιάς, ηλεκτροπληξίας ή ζημιάς ή/και τραυματισμών, χρησιμοποιήστε το καλώδιο τροφοδοσίας και την πρίζα ως εξής:

- Χρησιμοποιήστε μόνο το καλώδιο τροφοδοσίας που παρέχεται από τη Sony, όχι από άλλους κατασκευαστές.
- Τοποθετήστε το φις στην πρίζα μέχρι να εισέλθει τελείως.
- Λειτουργήστε την τηλεόραση μόνο με παροχή ρεύματος 220 V ~240 V AC.
- Κατά την πραγματοποίηση της καλωδίωσης, βεβαιωθείτε ότι απουσιάζει το καλώδιο τροφοδοσίας για την ασφάλειά σας και προσέξτε μην μπλεχτούν τα πόδια σας στα καλώδια.
- Προτού προβείτε σε οποιαδήποτε εργασία που αφορά στην τηλεόρασή σας και πριν τη μετακινήσετε, απουσιάζετε το φις του καλωδίου τροφοδοσίας από την πρίζα.
- Κρατήστε το καλώδιο τροφοδοσίας μακριά από πηγές θερμότητας.
- Απουσιάζετε το φις και καθαρίζετε το τακτικά. Εάν το φις καλυφθεί με σκόνη και μαζέψει υγρασία, μπορεί να μειωθεί η ποιότητα της μόνωσης και να προκληθεί πυρκαγιά.

Σημείωση

- Μη χρησιμοποιείτε τον παρεχόμενο καλώδιο τροφοδοσίας σε οποιαδήποτε άλλη συσκευή.
- Μην τρυπάτε, λυγίζετε ή συστρέφετε πολύ το καλώδιο τροφοδοσίας. Οι αγωγοί του πυρήνα μπορεί να απογυμνωθούν ή να σπάσουν.
- Μην τοποθετείτε το καλώδιο τροφοδοσίας.
- Μην τοποθετείτε οποιοδήποτε βαρύ αντικείμενο πάνω στο καλώδιο τροφοδοσίας.
- Για να απουσιάζετε το καλώδιο τροφοδοσίας από την πρίζα, μην τραβήξετε το ίδιο το καλώδιο.
- Μη συνδέετε πολλές συσκευές στην ίδια πρίζα.
- Μην χρησιμοποιείτε πρίζες με κακή εφαρμογή.

Περιορισμοί στη χρήση

Για να αποφευχθούν δυσλειτουργίες και πρόκληση πυρκαγιάς, ηλεκτροπληξίας, ζημιάς ή/και τραυματισμών, μην τοποθετείτε/χρησιμοποιείτε την τηλεόραση σε θέσεις, περιβάλλοντα ή συνθήκες όπως αυτές που παρατίθενται στη συνέχεια.

Τοποθεσία:

- Σε εξωτερικούς χώρους (απευθείας στο ηλιακό φως), ακτές, πλοία ή άλλα σκάφη, μέσα σε οχήματα, σε νοσοκομεία, σε μη σταθερές επιφάνειες, κοντά σε νερό, βροχή, υγρασία ή καπνό.

Περιβάλλον:

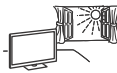
- Σε μέρη που είναι ζεστά, υγρά ή υπερβολικά σκοτεινά: σε μέρη όπου μπορούν να εισέλθουν έντομα: σε μέρη όπου ενδέχεται να εκτεθεί σε μηχανικές δονήσεις, κοντά σε εύφλεκτα αντικείμενα (κεριά, κλπ.). Η τηλεόραση δεν πρέπει να εκτίθεται σε σταλαγματίες ή πιτσιλιόμενα και μην τοποθετείτε πάνω στην τηλεόραση αντικείμενα που περιέχουν υγρά, όπως για παράδειγμα βάζα.

Συνθήκες:

- Χρησιμοποιείτε την τηλεόραση με βρεγμένα χέρια, όταν έχετε αφαιρέσει το περίβλημα ή με εξαρτήματα που δε συνιστώνται από τον κατασκευαστή. Κατά τη διάρκεια καταιγίδων με κεραυνούς απουσιάζετε την τηλεόραση από την πρίζα ρεύματος και από την κεραία.
- Τοποθετείτε την τηλεόραση έτσι ώστε να προεξέχει σε ανοιχτό χώρο. Ενδέχεται να προκληθεί τραυματισμός ή ζημιά, εάν ένα άτομο ή αντικείμενο προσκρούσει στην τηλεόραση.



- Τοποθετείτε την τηλεόραση σε χώρο με υγρασία ή σκόνη ή σε ένα δωμάτιο με ελαιώδες νέφος ή υδρατμούς (κοντά σε πάγκους κουζίνας ή σε υφρανθήρες). Ενδέχεται να προκληθεί πυρκαγιά, ηλεκτροπληξία ή παραμόρφωση.
- Τοποθετείτε την τηλεόραση σε μέρη που υπόκεινται σε ακραίες θερμοκρασίες όπως, για παράδειγμα, σε σημεία που εκτίθενται σε άμεσο ηλιακό φως, κοντά σε καλοριφέρ ή συσκευές θέρμανσης. Σε τέτοιες συνθήκες η τηλεόραση μπορεί να υπερθερμανθεί, κάτι που μπορεί να προκαλέσει παραμόρφωση του περιβλήματος ή/και δυσλειτουργία της τηλεόρασης.



- Εάν η τηλεόραση τοποθετηθεί στα αποδυτήρια δημόσιων λουτρών ή ιαματικών πηγών, ενδέχεται να υψαστεί βλάβη από το θείο που εκλύεται στον αέρα κλπ.



- Για να έχετε άριστη ποιότητα εικόνας, μην εκθέτετε την οθόνη σε απευθείας φωτισμό ή ηλιακή ακτινοβολία.
- Αποφύγετε τη μετακίνηση της τηλεόρασης από ένα ψυχρό σε ένα θερμό μέρος. Οι ξαφνικές αλλαγές της θερμοκρασίας δωματίου ενδέχεται να προκαλέσουν συμπίκνωση υγρασίας. Αυτό πιθανόν να οδηγήσει σε προβολή χαμηλής ποιότητας εικόνας και χρώματος από την τηλεόραση. Αν συμβεί αυτό, αφήστε την υγρασία να εξατμιστεί εντελώς πριν ενεργοποιήσετε την τηλεόραση.

Θραύσματα:

- Μην πετάτε οτιδήποτε στην τηλεόραση. Από την πρόσκρουση μπορεί να σπάσει το γυαλί της οθόνης και να προκληθεί σοβαρός τραυματισμός.
- Εάν η επιφάνεια της τηλεόρασης ραγίσει, μην την ακουμπήσετε μέχρι να απουσιάζετε το καλώδιο τροφοδοσίας. Σε αντίθετη περίπτωση μπορεί να προκληθεί ηλεκτροπληξία.

Όταν δεν χρησιμοποιείται

- Εάν πρόκειται να μη χρησιμοποιήσετε την τηλεόραση για αρκετές ημέρες, θα πρέπει να την απουσιάζετε από την παροχή ρεύματος για λόγους περιβαλλοντικούς και ασφάλειας.
- Μετά την απενεργοποίηση της τηλεόρασης, η τηλεόραση δεν έχει απουσιάζει από την παροχή ρεύματος. Για να την απουσιάζετε εντελώς, τραβήξτε το φις από την πρίζα.
- Κάποια μοντέλα τηλεοράσεων πρέπει να παραμένουν σε κατάσταση αναμονής για να εξασφαλίζεται η σωστή λειτουργία τους.

Για τα παιδιά

- Μην επιτρέπετε στα παιδιά να σκαρφαλώνουν πάνω στην τηλεόραση.
- Κρατήστε τα μικρά εξαρτήματα μακριά από παιδιά, ώστε να μην υπάρχει κίνδυνος να τα καταπιούν κατά λάθος.

Εάν συμβεί το ακόλουθο πρόβλημα...

Εάν συμβεί οποιοδήποτε από τα παρακάτω προβλήματα, **απευρωποείτε** την τηλεόραση και αποσυνδέστε το καλώδιο τροφοδοσίας. Απευθυνθείτε στο κατάστημα πώλησης ή στο σέρβις της Sony ώστε να γίνει έλεγχος από το εξουσιοδοτημένο σέρβις.

Όταν:

- Το καλώδιο τροφοδοσίας έχει υποστεί ζημιά.
- Η πρίζα εμφανίζει κακή εφαρμογή.
- Η τηλεόραση έχει υποστεί ζημιά από πτώση, χτύπημα ή πέσιμο αντικειμένου επάνω σε αυτή.
- Κάποιο υγρό ή αντικείμενο πέσει μέσω των ανοιγμάτων μέσα στο εσωτερικό του περιβλήματος.

Σχέση με τη θερμοκρασία των LCD TV

Όταν η LCD TV χρησιμοποιείται για μεγάλο χρονικό διάστημα, το περιβάλλον τμήμα του πλαισίου θερμαίνεται. Μπορεί να αισθανθείτε τη θερμότητα εάν αγγίξετε τη συγκεκριμένη περιοχή με τα χέρια σας.

Προφυλάξεις

Παρακολούθηση τηλεόρασης

- Παρακολουθείτε την τηλεόραση με συνθήκες μέτριου φωτισμού, καθώς η παρακολούθηση της τηλεόρασης με συνθήκες χαμηλού φωτισμού ή για μεγάλα χρονικά διαστήματα μπορεί να κουράσει τα μάτια σας.
- Όταν χρησιμοποιείτε ακουστικά, αποφύγετε τη ρύθμιση της έντασης ήχου σε υψηλά επίπεδα καθώς κάτι τέτοιο μπορεί να σας προκαλέσει προβλήματα ακοής.

(Μόνο για μοντέλα συμβατά με 3D)

- Ορισμένα άτομα ενδέχεται να νιώσουν δυσφορία (όπως π.χ. καταπόνηση των ματιών, κούραση ή ναυτία) κατά την παρακολούθηση εικόνων βίντεο 3D ή ενώ παίζουν στερεοσκοπικά παιχνίδια 3D. Η Sony συνιστά σε όλους τους χρήστες να κάνουν συχνά διαλείμματα κατά την παρακολούθηση εικόνων βίντεο 3D ή ενώ παίζουν στερεοσκοπικά παιχνίδια 3D. Η διάκριση και η συχνότητα των απαραίτητων διαλειμμάτων διαφέρει από άτομο σε άτομο. Θα πρέπει να αποφασίσετε τι είναι κατάλληλο για εσάς. Αν αισθανθείτε δυσφορία οποιασδήποτε φύσεως, θα πρέπει να σταματήσετε να παρακολουθείτε εικόνες βίντεο 3D ή να παίξετε στερεοσκοπικά παιχνίδια 3D μέχρι να νιώσετε καλύτερα. Συμβουλευτείτε έναν γιατρό αν το θεωρείτε απαραίτητο. Επίσης, θα πρέπει να εξετάσετε (i) το εγχειρίδιο οδηγιών οποιασδήποτε άλλης συσκευής ή μέσου που χρησιμοποιείτε με αυτήν την τηλεόραση και (ii) την τοποθεσία μας στο Web (www.sony.eu/support) για νεότερες πληροφορίες. Η όραση των μικρών παιδιών (ιδίαιτερα αυτά που είναι κάτω από έξι ετών) αναπτύσσεται ακόμα. Συμβουλευτείτε το γιατρό σας (όπως έναν παιδίατρο ή έναν οφθαλμίατρο) προτού επιτρέψετε σε μικρά παιδιά να παρακολουθήσουν εικόνες βίντεο 3D ή να παίξουν στερεοσκοπικά παιχνίδια 3D. Τα μικρά παιδιά θα πρέπει να παρακολουθούνται από ενήλικες, οι οποίοι θα διασφαλίζουν ότι τηρούνται οι συστάσεις που αναφέρονται παραπάνω.
- Μην χρησιμοποιείτε, φυλάσσετε ή αφήνετε τα Γυαλιά 3D ή την μπαταρία κοντά σε φωτιά ή κοντά σε μέρη με υψηλή θερμοκρασία, π.χ. εκτεθειμένα σε άμεσο ηλιακό φως ή μέσα σε αμάξια σταθμευμένα στον ήλιο.

Οθόνη LCD

- Παρόλο που η οθόνη LCD (υγρών κρυστάλλων) κατασκευάζεται με τεχνολογία υψηλής ακρίβειας και διαθέτει ενεργά πίξελ 99,99 % ή περισσότερο, υπάρχει η πιθανότητα να εμφανιστούν μόνιμα στην οθόνη LCD μερικές μαύρες κουκίδες ή φωτεινά σημεία (κόκκινα, πράσινα ή μπλε). Αυτό αποτελεί ένα γενεές χαρακτηριστικό των οθονών υγρών κρυστάλλων (LCD) και δεν υποδηλώνει δυσλειτουργία.
- Μη σπρώχνετε ή χαράσσετε το εμπρός φίλτρο, και μην τοποθετείτε αντικείμενα επάνω σε αυτή την τηλεόραση. Η εικόνα μπορεί να παρουσιάσει ανωμαλίες ή η οθόνη υγρών κρυστάλλων να υποστεί ζημιά.

- Εάν αυτή η τηλεόραση χρησιμοποιηθεί σε κρύο χώρο, υπάρχει περίπτωση να εμφανισθεί κηλίδα στην εικόνα ή η εικόνα να γίνει σκούρα. Αυτό δεν υποδηλώνει δυσλειτουργία. Αυτά τα φαινόμενα εξαφανίζονται καθώς αυξάνεται η θερμοκρασία.
- Υπάρχει η πιθανότητα εμφάνισης ειδήλων εικόνων στην οθόνη εάν προβάλλονται συνεχώς ακίνητες εικόνες. Το ειδήλω εικόνας μπορεί να εξαφανιστεί μετά από κάποιο χρόνο.
- Η οθόνη και το περίβλημα ζεσταίνονται όταν η τηλεόραση βρίσκεται σε λειτουργία. Δεν πρόκειται για δυσλειτουργία.
- Η οθόνη LCD περιέχει μικρή ποσότητα υγρού κρυστάλλου. Για την απόρριψη τηρήστε τις τοπικές διατάξεις και κανονισμούς.

Χειρισμός και καθαρισμός της επιφάνειας της οθόνης/περιβλήματος της τηλεόρασης

Βεβαιωθείτε ότι αποσυνδέεται από την πρίζα το συνδεδεμένο στην τηλεόραση καλώδιο παροχής ρεύματος πριν τον καθαρισμό.

- Για να αποφύγετε την πρόκληση ζημιάς στο υλικό ή στην επιστροφή της οθόνης, τηρήστε τις ακόλουθες προφυλάξεις.
- Για να αφαιρέσετε τη σκόνη από την επιφάνεια της οθόνης/περιβλήματος, σκουπίστε ελαφρά με ένα μαλακό πανί. Εάν η σκόνη παραμένει, σκουπίστε με ένα μαλακό πανί ελαφρά βρεγμένο σε διάλυμα ήπιου απορρυπαντικού.
- Ποτέ μην ψεκάζετε νερό ή απορρυπαντικό απευθείας πάνω στην τηλεόραση. Ενδέχεται να στρέξει στο κάτω μέρος της οθόνης ή στα εξωτερικά τμήματα και να εισχωρήσει στην τηλεόραση, με αποτέλεσμα να προκληθεί βλάβη στην τηλεόραση.
- Μη χρησιμοποιήσετε ποτέ σφουγγαράκι, αλκαλικά/όξινα καθαριστικά, σκόνες καθαρισμού ή διαλυτικά όπως ιονόπνευμα, βενζίνη, διαλυτικά ή εντομοκτόνα. Η χρήση τέτοιων ουσιών ή η παρατεταμένη επαφή με λαστίκια ή υλικά από βινύλιο, μπορεί να προκαλέσει ζημιά στην επιφάνεια της οθόνης και στο υλικό του περιβλήματος.
- Μην αγγίζετε την τηλεόραση αν το χέρι σας είναι καλυμμένο με οποιαδήποτε χημική ουσία όπως κρέμα χειρών ή αντιηλιακό.
- Συνιστάται περιοδικός καθαρισμός των ανοιγμάτων εξερισμού με ηλεκτρική σκούπα για να διασφαλίζεται ο σωστός εξαερισμός.
- Όταν προσαρμόζετε τη γωνία της τηλεόρασης, μετακινήστε την αργά ώστε να αποτρέψετε την ανατροπή της από την επιτραπέζια βάση της.



Προαιρετικές συσκευές

- Κρατήστε τα προαιρετικά εξαρτήματα ή άλλες συσκευές που εκπέμπουν ηλεκτρομαγνητική ακτινοβολία μακριά από την τηλεόραση. Διαφορετικά μπορεί να παρατηρηθεί παραμόρφωση της εικόνας ή/και ήχος με θόρυβο.
- Η συσκευή αυτή έχει ελεγχθεί και έχει βρεθεί ότι συμμορφώνεται με τα όρια που καθορίζονται από την οδηγία περί ηλεκτρομαγνητικής συμβατότητας όταν χρησιμοποιείται για τη σύνδεση καλώδιο σήματος μήκους μικρότερο από 3 μέτρα.

Σύσταση για το βύσμα τύπου F

Το εσωτερικό σύρμα δεν θα πρέπει να προεξέχει περισσότερο από 1,5 mm από το τμήμα της σύνδεσης.



1 μέγ. 7 mm

1 μέγ. 1,5 mm

(Σχέδιο αναφοράς για το βύσμα τύπου F)

ΑΣΥΡΜΑΤΗ Λειτουργία της μονάδας

- Μη θέτετε σε λειτουργία την παρούσα συσκευή κοντά σε ιατρικό εξοπλισμό (βηματοδότης, κλπ.), καθώς ενδέχεται να προκύβει δυσλειτουργία του ιατρικού εξοπλισμού.
- Παρόλο που αυτή η μονάδα μεταδίδει/λαμβάνει κωδικοποιημένα σήματα, να είστε προσεκτικοί για μη εξουσιοδοτημένα υποκλοπή. Δεν φέρουμε καμία ευθύνη για πιθανά προβλήματα.

Προφύλαξη σχετικά με το χειρισμό του τηλεχειριστήριου

- Να τηρείτε τη σωστή πολικότητα κατά την τοποθέτηση των μπαταριών.
- Μη χρησιμοποιείτε διαφορετικούς τύπους μπαταριών μαζί ή μην ανακατεύετε τις παλιές με τις καινούργιες μπαταρίες.
- Να απορρίπτετε τις μπαταρίες, δείχνοντας σεβασμό στο περιβάλλον. Ορισμένες περιοχές ενδέχεται να έχουν κανονισμούς για την απόρριψη των μπαταριών. Συμβουλευθείτε τις τοπικές αρχές.
- Χρησιμοποιήστε το τηλεχειριστήριο με προσοχή. Μην το αφήνετε να πέφτει, μην το πατάτε και μη χύνετε υγρά οποιουδήποτε είδους πάνω του.
- Μην τοποθετείτε το τηλεχειριστήριο κοντά σε πηγές θερμότητας, σε θέση που να το βλέπει ο ήλιος ή σε δωμάτιο με υγρασία.

Απόρριψη της τηλεόρασης



Απόρριψη παλαιών ηλεκτρικών & ηλεκτρονικών συσκευών (Ισχύει στην Ευρωπαϊκή Ένωση και άλλες Ευρωπαϊκές χώρες με ξεχωριστά συστήματα αποκομιδής)

Το σύμβολο αυτό επάνω στο προϊόν ή στη συσκευασία του υποδεικνύει ότι το προϊόν αυτό δεν θα πρέπει να απορρίπτεται μαζί με τα συνηθισμένα οικιακά απορρίμματα.

Αντίθετα θα πρέπει να παραδίδεται στο κατάλληλο σημείο αποκομιδής για την ανακύκλωση ηλεκτρικών και ηλεκτρονικών συσκευών. Εξασφαλίζοντας ότι το προϊόν αυτό απορρίπτεται σωστά, βοηθάτε στο να αποτραπουν όποιες αρνητικές επιπτώσεις στην ανθρώπινη υγεία και στο περιβάλλον που θα προέκυπταν από την μη κατάλληλη διαχείριση των αποβλήτων αυτού του προϊόντος. Η ανακύκλωση των υλικών βοηθά στην εξοικονόμηση των φυσικών πόρων. Για περισσότερες πληροφορίες σχετικά με την ανακύκλωση αυτού του προϊόντος, επικοινωνήστε με τις δημοτικές αρχές της περιοχής σας, με την υπηρεσία διάθεσης των οικιακών απορριμμάτων ή το κατάστημα από το οποίο αγοράσατε το προϊόν.

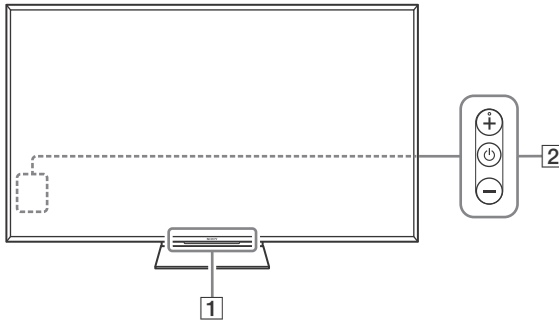


Εναλλακτική διαχείριση φορτών ηλεκτρικών στηλών και συσσωρευτών (Ισχύει στην Ευρωπαϊκή Ένωση και άλλες Ευρωπαϊκές χώρες με ξεχωριστά συστήματα συλλογής)

Το σύμβολο αυτό επάνω στη μπαταρία ή στη συσκευασία δείχνει ότι η μπαταρία που παρέχεται με αυτό το προϊόν δεν πρέπει να αντιμετωπίζεται όπως τα οικιακά απορρίμματα. Σε ορισμένες μπαταρίες το σύμβολο αυτό μπορεί να χρησιμοποιηθεί σε συνδυασμό με ένα χημικό σύμβολο. Τα χημικά σύμβολα για τον υδράργυρο (Hg) ή τον μόλυβδο (Pb) προστίθενται αν η μπαταρία περιέχει περισσότερο από 0,0005 % υδραργύρου ή 0,004 % μόλυβδου. Με το να βεβαιωθείτε ότι οι συγκεκριμένες μπαταρίες συλλέχτηκαν σωστά, βοηθάτε στην πρόληψη πιθανών αρνητικών επιπτώσεων στο περιβάλλον και την υγεία. Η ανακύκλωση των υλικών θα βοηθήσει στην εξοικονόμηση φυσικών πόρων. Στην περίπτωση προϊόντων που για λόγους ασφαλείας, επιδόσεων, η ακεραιότητας δεδομένων απαιτούν τη μόνιμη σύνδεση με μια ενσωματωμένη μπαταρία, αυτή η μπαταρία θα πρέπει να αντικαθίσταται μόνο από εξουσιοδοτημένο τεχνικό προσωπικό. Για να εξασφαλίσετε την σωστή μεταχείριση της μπαταρίας, παραδώστε το προϊόν στο τέλος της διάρκειας ζωής του στο κατάλληλο σημείο συλλογής ηλεκτρικού και ηλεκτρονικού εξοπλισμού για ανακύκλωση. Στην περίπτωση όλων των άλλων μπαταριών, παρακαλούμε δείτε το τμήμα που περιγράφει πώς να αφαιρέσετε με ασφάλεια τη μπαταρία από το προϊόν. Παραδώστε την μπαταρία στο κατάλληλο σημείο συλλογής των χρησιμοποιημένων μπαταριών για ανακύκλωση. Για περισσότερες πληροφορίες σχετικά με την ανακύκλωση αυτού του προϊόντος ή της μπαταρίας, παρακαλούμε επικοινωνήστε με τον αρμόδιο φορέα ανακύκλωσης ή το κατάστημα όπου αγοράσατε το προϊόν.

Εξαρτήματα και χειριστήρια

Χειριστήρια και ενδείξεις



1 Αισθητήρας Τηλεχειρισμού*1 / Αισθητήρας φωτός*1 / LED φωτισμού / Συγχρονισμός μετάδοσης 3D*1*2

Η λυχνία LED φωτισμού ανάβει ή αναβοσβήνει ανάλογα με την κατάσταση της τηλεόρασης.

- Λευκό
Κατά την ενεργοποίηση της τηλεόρασης/τη λειτουργία απενεργοποίησης εικόνας/ενημέρωση του λογισμικού κ.λπ.
- Γαλάζιο
Κατά την ασύρματη σύνδεση με φορητή συσκευή.
- Ροζ*2
Λειτουργία εγγραφής.
- Πορτοκαλί
Έχει ρυθμιστεί ο χρονοδιακόπτης.

2 ⏻ (Λειτουργία) / + / -

Όταν η τηλεόραση είναι απενεργοποιημένη:

Πατήστε το ⏻ για να την ενεργοποιήσετε.

Όταν η τηλεόραση είναι ενεργοποιημένη:

Πατήστε παρατεταμένα το ⏻ για να την απενεργοποιήσετε.

Πιέστε επανειλημμένα το ⏻ για να αλλάξετε τη λειτουργία και, έπειτα πιέστε το κουμπί + ή - για να κάνετε τα εξής:

- Ρύθμιση της έντασης
- Επιλογή του καναλιού
- Επιλογή της πηγής εισόδου της τηλεόρασης

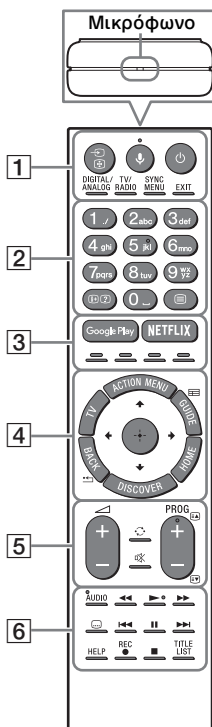
*1 Μην τοποθετείτε τίποτα κοντά στον αισθητήρα.

*2 Μόνο σε περιορισμένες περιοχές/χώρες/μοντέλα τηλεόρασης.

Χρήση του Τηλεχειριστηρίου

Περιγραφή μερών του τηλεχειριστηρίου

Το σχήμα, η θέση, η διαθεσιμότητα και η λειτουργία των κουμπιών του τηλεχειριστηρίου μπορεί να διαφέρουν ανάλογα με την περιοχή/τη χώρα/το μοντέλο της τηλεόρασης.



1 (Επιλογή εισόδου/Στάση κειμένου)

Στη λειτουργία τηλεόρασης: Εμφανίστε και επιλέξτε την πηγή εισόδου.

Στη λειτουργία κειμένου: Παραμείνετε στην τρέχουσα σελίδα.

(Μικρόφωνο)

Χρησιμοποιήστε τη λειτουργία φωνής. (π.χ. Αναζητήστε περιεχόμενο με φωνητικές εντολές.)

(Τηλεόραση σε αναμονή)

Ενεργοποιήστε ή απενεργοποιήστε την τηλεόραση (λειτουργία αναμονής).

DIGITAL/ANALOG

Πραγματοποιήστε εναλλαγή ανάμεσα στην ψηφιακή και την αναλογική λειτουργία.

TV/RADIO

Πραγματοποιήστε εναλλαγή ανάμεσα στις μεταδόσεις TV ή RADIO.

SYNC MENU

Εμφανίστε το Μενού του BRAVIA Sync .

EXIT

Επιστρέψετε στην προηγούμενη οθόνη ή κλείστε το μενού. Όταν είναι διαθέσιμη μια υπηρεσία αλληλεπιδραστικής εφαρμογής, πιέστε το για να εξέλθετε από την υπηρεσία.

2 Αριθμητικά κουμπιά

/? (Αποκάλυψη πληροφοριών/κειμένου)

Εμφανίστε πληροφορίες.

(Κείμενο)

Εμφανίστε πληροφορίες κειμένου.

3 Google Play

Αποκτήστε πρόσβαση στην ηλεκτρονική υπηρεσία "Google Play".

NETFLIX (Μόνο σε περιορισμένες περιοχές/χώρες/μοντέλα τηλεόρασης)

Αποκτήστε πρόσβαση στην ηλεκτρονική υπηρεσία "NETFLIX".

Έγχρωμα κουμπιά

Εκτελέστε την αντίστοιχη λειτουργία τη δεδομένη στιγμή.

4 ACTION MENU

Εμφανίστε μια λίστα με σχετικές λειτουργίες.

TV

- Μεταβείτε σε ένα τηλεοπτικό κανάλι ή επιλέξτε είσοδο από άλλες εφαρμογές.
- Ενεργοποιήστε την τηλεόραση για να προβάλει ένα τηλεοπτικό κανάλι ή μια είσοδο.

GUIDE/

Εμφανίστε τον ψηφιακό οδηγό προγράμματος.

BACK/

Επιστρέψτε στην προηγούμενη οθόνη.

HOME

Εμφανίστε το Μενού Home της τηλεόρασης.

DISCOVER

Εμφανίστε τη Γραμμή περιεχομένου, για να αναζητήσετε περιεχόμενο.

/ / / / (Επιλογή στοιχείου/Είσοδος)

5 +/- (Ένταση)

Ρυθμίστε την ένταση.

(Μετάβαση)


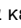
Μεταβείτε προς τα πίσω ή προς τα εμπρός μεταξύ δύο καναλιών ή εισόδων. Η τηλεόραση πραγματοποιεί εναλλαγή μεταξύ του τρέχοντος καναλιού ή της τρέχουσας εισόδου και του τελευταίου καναλιού ή της τελευταίας εισόδου που επιλέξατε.

(Σίγαση)

Πραγματοποιήστε σίγαση του ήχου. Πιέστε το ξανά για επαναφορά του ήχου.

PROG +/-//

Στη λειτουργία τηλεόρασης: Επιλέξτε το κανάλι.

Στη λειτουργία κειμένου: Επιλέξτε την επόμενη () ή την προηγούμενη () σελίδα.

6 AUDIO

Αλλάξτε τη γλώσσα για το πρόγραμμα που παρακολουθείτε τη δεδομένη στιγμή.

(Ρύθμιση υποτίτλων)

Ενεργοποιήστε ή απενεργοποιήστε τους υπότιτλους (όταν η δυνατότητα είναι διαθέσιμη).

Χειριστείτε περιεχόμενο πολυμέσων στην τηλεόραση και τη συνδεδεμένη συσκευή που είναι συμβατή με BRAVIA Sync.

HELP

Εμφανίστε το Μενού βοήθειας. Μπορείτε να αποκτήσετε πρόσβαση στον Οδηγό βοήθειας από εδώ.

● REC

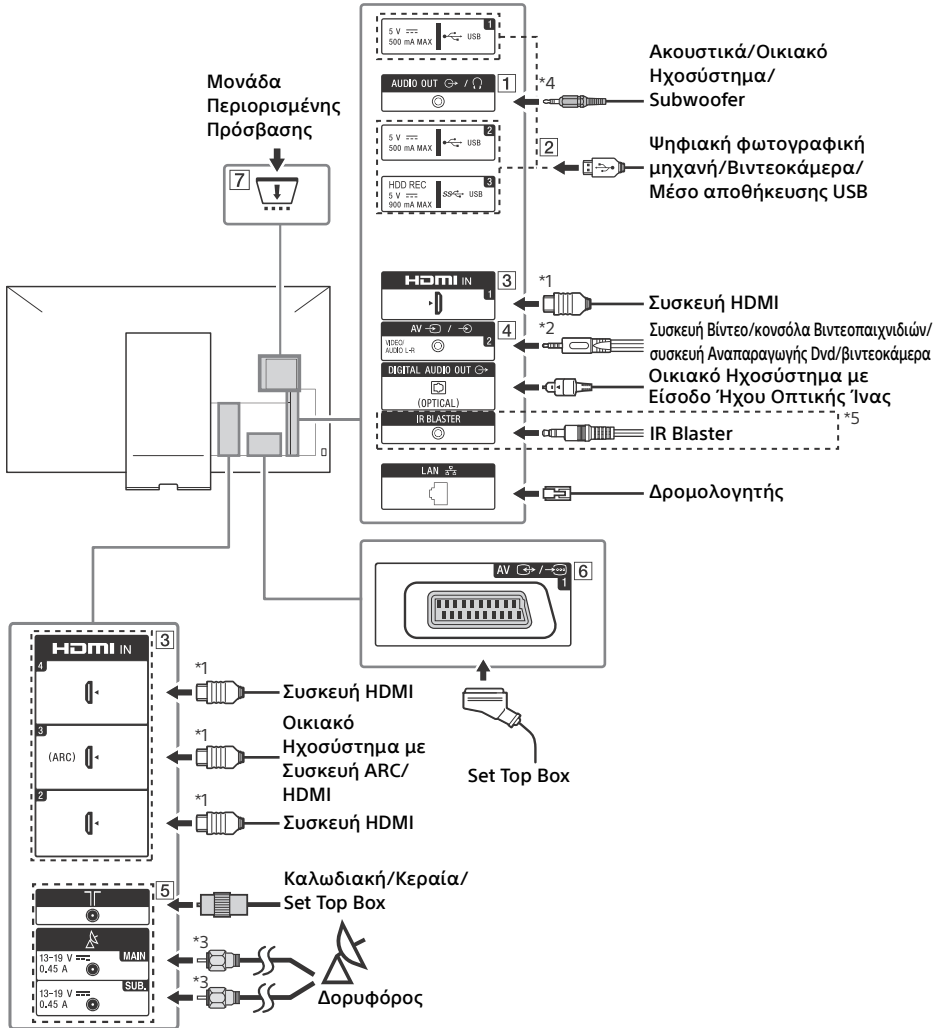
Εγγράψτε το τρέχον πρόγραμμα με τη λειτουργία εγγραφής USB HDD.

TITLE LIST

Εμφανίστε τη λίστα τίτλων.

Διάγραμμα συνδέσεων

Για περισσότερες πληροφορίες σχετικά με τις συνδέσεις, ανατρέξτε στον Οδηγό βοήθειας (σελίδα 2).



1 AUDIO OUT *4

- Για να ακούσετε τον ήχο της τηλεόρασης μέσω της συνδεδεμένης συσκευής, πιέστε το κουμπί **HOME**. Επιλέξτε [Ρυθμίσεις] → [Ήχος] → [Ακουστικά/Έξοδος ήχου] και, στη συνέχεια, επιλέξτε το επιθυμητό στοιχείο.

2 **USB 1/2**, **USB 3 (HDD REC)***5

- Η σύνδεση μιας μεγάλης συσκευής USB μπορεί να δημιουργήσει παρεμβολές σε άλλες κοντινές συνδεδεμένες συσκευές.
- Αν συνδέσετε μια μεγάλη συσκευή USB, συνδέστε την στην υποδοχή USB 1.

3 HDMI IN 1/2/3/4

- Αν συνδέετε ένα ψηφιακό ηχοσύστημα συμβατό με την τεχνολογία Audio Return Channel (ARC), χρησιμοποιήστε την υποδοχή HDMI IN 3. Αν όχι, απαιτείται μια πρόσθετη σύνδεση μέσω της υποδοχής DIGITAL AUDIO OUT (OPTICAL).

4 **AV 2**

- Για σύνδεση composite, χρησιμοποιήστε το Καλώδιο επέκτασης αναλογικής εισόδου που παρέχεται*5.

5 **ΤΓ (Είσοδος RF)**, **(Δορυφορική είσοδος)**

- Συνδέσεις για επίγεια/καλωδιακή και δορυφορική τηλεόραση. Βήματα σύνδεσης: MAIN → Κεραία → SUB.
- Για την υποδοχή SUB, συνδέστε μόνο όταν χρησιμοποιείτε τη λειτουργία διπλού δέκτη εκτός από Διανομή μέσω ενός καλωδίου EN50494.

6 **AV 1**

- Συνδέστε με ένα καλώδιο SCART. Όταν συνδέετε έναν αποκωδικοποιητή αναλογικών σημάτων, ο συντονιστής της τηλεόρασης εξαγεί κωδικοποιημένα σήματα προς τον αποκωδικοποιητή και ο αποκωδικοποιητής αποκωδικοποιεί τα σήματα προτού τα εξαγάγει.

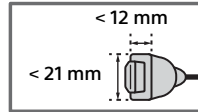
7 **CAM (Μονάδα Περιορισμένης Πρόσβασης)**

- Παρέχει πρόσβαση σε τηλεοπτικές υπηρεσίες επί πληρωμή. Για λεπτομέρειες, ανατρέξτε στο εγχειρίδιο οδηγιών που παρέχεται με τη μονάδα CAM.
- Μην τοποθετείτε την έξυπνη κάρτα απευθείας στην υποδοχή της μονάδας

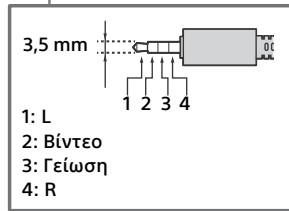
CAM της τηλεόρασης. Πρέπει να την τοποθετήσετε στη Μονάδα Περιορισμένης Πρόσβασης που θα σας παρασχεθεί από το εξουσιοδοτημένο κατάστημα πώλησης.

- Η μονάδα CAM δεν υποστηρίζεται σε όλες τις χώρες/περιοχές. Συμβουλευτείτε το εξουσιοδοτημένο κατάστημα πώλησης.
- Ενδέχεται να εμφανιστεί ένα μήνυμα CAM, όταν μεταβείτε σε ένα ψηφιακό πρόγραμμα μετά από τη χρήση του βίντεο στο Internet.

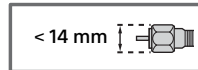
*1



*2



*3



*4 Υποστηρίζει μόνο μίνι στερεοφωνική τριπολική υποδοχή.

*5 Μόνο σε περιορισμένες περιοχές/χώρες/μοντέλα τηλεόρασης.

Εγκατάσταση της τηλεόρασης στον τοίχο

Το εγχειρίδιο οδηγιών αυτής της τηλεόρασης παρουσιάζει μόνο τα βήματα για την προετοιμασία της εγκατάστασης της τηλεόρασης πριν από την εγκατάσταση στον τοίχο.

Προς τους πελάτες:

Για λόγους προστασίας και ασφάλειας του προϊόντος, η Sony συνιστά ένθερμα η εγκατάσταση της τηλεόρασής σας να πραγματοποιείται από αντιπροσώπους της Sony ή εξουσιοδοτημένους τεχνικούς. Μην επιχειρήσετε να την εγκαταστήσετε μόνοι σας.

Προς τους αντιπροσώπους της Sony και τους τεχνικούς:

Δώστε μεγάλη προσοχή στην ασφάλεια κατά την εγκατάσταση, την περιοδική συντήρηση και τον έλεγχο του προϊόντος αυτού.

Απαιτείται επαρκής εμπειρία για την εγκατάσταση του προϊόντος αυτού και ειδικότερα για να προσδιοριστεί η αντοχή του τοίχου που θα συγκρατεί το βάρος της τηλεόρασης. Αναθέστε την τοποθέτηση του προϊόντος αυτού στον τοίχο σε αντιπροσώπους της Sony ή σε εξουσιοδοτημένους τεχνικούς και δείξτε την απαραίτητη προσοχή στα θέματα ασφάλειας κατά την εγκατάσταση. Η Sony δεν αναλαμβάνει καμία ευθύνη για τυχόν ζημιά ή τραυματισμό που ενδέχεται να προκληθεί από λανθασμένους χειρισμούς ή ακατάλληλη εγκατάσταση.

Χρησιμοποιήστε την Επιτοίχια βάση SU-WL450 (δεν παρέχεται) (KD-65ZD9), για να εγκαταστήσετε την τηλεόραση στον τοίχο.

Κατά την εγκατάσταση της Επιτοίχιας βάσης, συμβουλευτείτε επίσης τις Οδηγίες Χρήσης και τον Οδηγό εγκατάστασης που συνοδεύουν την Επιτοίχια βάση.

Σημείωση

- Αποθηκεύστε τις βίδες που αφαιρέσατε σε ένα ασφαλές μέρος και φυλάξτε τις μακριά από παιδιά.

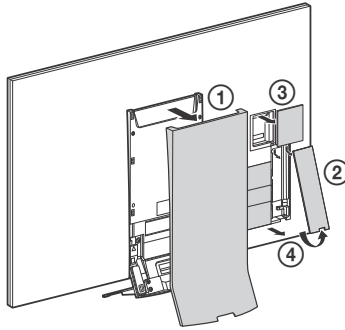


Για οδηγίες σχετικά με την εγκατάσταση της Επιτοίχιας Βάσης του μοντέλου της τηλεόρασής σας, ανατρέξτε στην παρακάτω τοποθεσία:

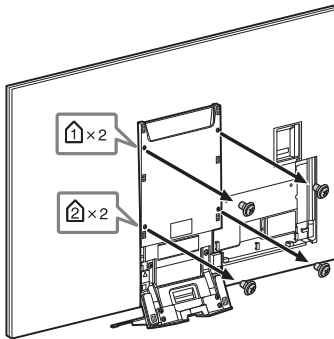
www.sony.eu/tv/wall-mount-bracket-manual

μόνο για KD-65ZD9

1 Αφαιρέστε το πλευρικό, εσωτερικό, πάνω και κεντρικό κάλυμμα.



2 Αφαιρέστε τις βίδες από το πίσω μέρος της τηλεόρασης.



μόνο για KD-75ZD9

Η τηλεόραση μπορεί να στηριχθεί σε επιτοίχια βάση (δεν παρέχεται) μόλις τη βγάλετε από τη συσκευασία.

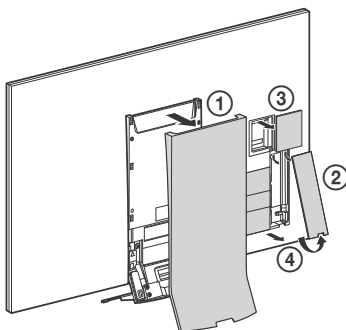
Προετοιμάστε την τηλεόραση για την επιτοίχια βάση πριν πραγματοποιήσετε τις συνδέσεις καλωδίων.

Για λόγους προστασίας και ασφάλειας του προϊόντος, η Sony συιστά ένθερμα η εγκατάσταση της τηλεόρασής σας στον τοίχο να πραγματοποιηθεί από εξουσιοδοτημένους επαγγελματίες. Μην επιχειρήσετε να την εγκαταστήσετε μόνοι σας.

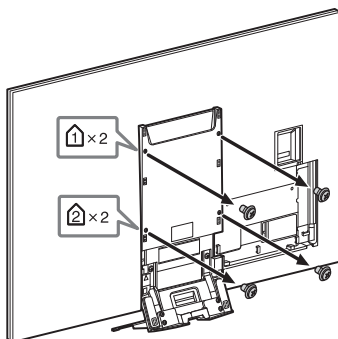
- Ακολουθήστε τις οδηγίες που παρέχονται με την Επιτοίχια βάση για το μοντέλο σας. Απαιτείται επαρκής εμπειρία για την εγκατάσταση αυτής της τηλεόρασης και ειδικότερα για να προσδιοριστεί η αντοχή του τοίχου που θα συγκρατεί το βάρος της τηλεόρασης.
- Φροντίστε να φυλάξετε τις βίδες που δεν χρησιμοποιήσατε και τη βάση επιτραπέζιας τοποθέτησης σε ασφαλές μέρος έως ότου είστε έτοιμοι να συνδέσετε τη βάση επιτραπέζιας τοποθέτησης. Κρατήστε τις βίδες μακριά από μικρά παιδιά.

μόνο για KD-75ZD9

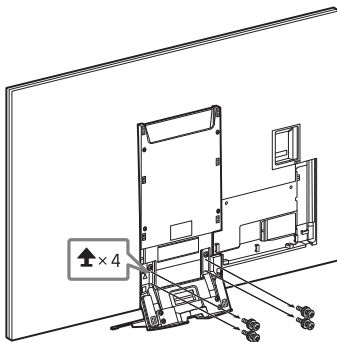
- 1** Αφαιρέστε το πλευρικό, εσωτερικό, πάνω και κεντρικό κάλυμμα.



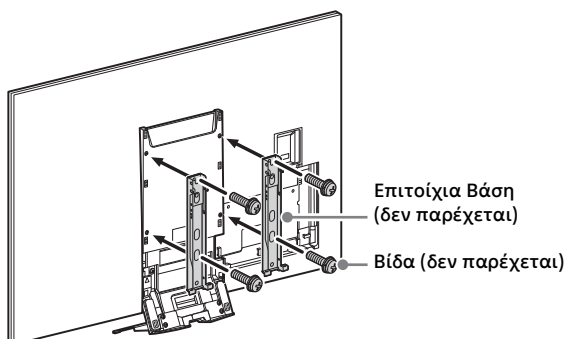
- 2** Αφαιρέστε τις βίδες από το πίσω μέρος της τηλεόρασης.



3 Αφαιρέστε τη Βάση επιτραπέζιας τοποθέτησης από την τηλεόραση.



4 Συνδέστε την Επιτοίχια Βάση (δεν παρέχεται) χρησιμοποιώντας τις βίδες (δεν παρέχονται).

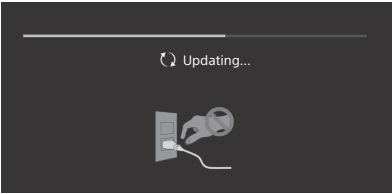


Σημείωση

- Αν χρησιμοποιείτε ηλεκτρικό καταβίδι, ρυθμίστε τη ροπή περίπου στο 1,5 N·m {15 kgf·cm}.

Αντιμετώπιση προβλημάτων

Για να διατηρήσετε το λογισμικό της τηλεόρασής σας ενημερωμένο, πρέπει να κατεβάσετε τις πιο πρόσφατες πληροφορίες λογισμικού μέσω του ψηφιακού συστήματος μετάδοσης ή του internet και να ενημερώσετε το λογισμικό. Επιλέξτε [Ενημέρ. τώρα] για να ξεκινήσετε μια ενημέρωση λογισμικού. Η LED φωτισμού αναβοσβήνει με λευκό χρώμα ενόσω το λογισμικό ενημερώνεται. Η ακόλουθη οθόνη με την ένδειξη [Updating...] (Ενημέρωση...) θα εμφανιστεί ενώ το λογισμικό ενημερώνεται.



Μην αποσυνδέσετε το καλώδιο εναλλασσόμενου ρεύματος κατά την ενημέρωση του λογισμικού. Αν συμβεί αυτό, η ενημέρωση λογισμικού ενδέχεται να μην ολοκληρωθεί πλήρως και ενδέχεται να προκληθεί δυσλειτουργία του λογισμικού. Οι ενημερώσεις λογισμικού μπορεί να διαρκέσουν έως και 30 λεπτά. Αν δεν επιθυμείτε να ενημερώνεται το λογισμικό αυτόματα, πιέστε το **HOME** και επιλέξτε [Βοήθεια] → [Ενημέρωση λογισμικού συστήματος] → [Αυτόματη λήψη λογισμικού] → [Όχι].

Όταν συνδέσετε την τηλεόραση, ενδέχεται να μην είναι δυνατή η ενεργοποίηση της τηλεόρασης για κάποιο χρονικό διάστημα ακόμα κι αν πιέσετε το κουμπί τροφοδοσίας στο τηλεχειριστήριο ή στην τηλεόραση, επειδή η προετοιμασία του συστήματος διαρκεί λίγη ώρα. Περιμένετε ένα λεπτό περίπου και, κατόπιν θέστε τη ξανά σε λειτουργία. Αν ενεργοποιήσετε την τηλεόραση πιέζοντας το κουμπί τροφοδοσίας στο τηλεχειριστήριο ή την τηλεόραση, θα χρειαστεί λίγη ώρα μέχρι να ανάψει η LED φωτισμού και να αρχίσει να λειτουργεί το τηλεχειριστήριο.

Όταν η LED φωτισμού αναβοσβήνει με κόκκινο χρώμα, μετρήστε πόσες φορές αναβοσβήνει (ο χρόνος μεταξύ κάθε διαλείμματος είναι τρία δευτερόλεπτα). Αν η LED φωτισμού αναβοσβήνει με κόκκινο χρώμα, πραγματοποιήστε επαναφορά της τηλεόρασης αποσυνδέοντας το καλώδιο τροφοδοσίας για δύο λεπτά και, στη συνέχεια, ενεργοποιήστε την τηλεόραση. Αν το πρόβλημα παραμένει, επικοινωνήστε με τον αντιπρόσωπό σας ή το κέντρο τεχνικής υποστήριξης της Sony και αναφέρετε πόσες φορές αναβοσβήνει η LED φωτισμού (το ενδιάμεσο διάστημα είναι τρία δευτερόλεπτα). Αποσυνδέστε το καλώδιο ρεύματος και ενημερώστε τον αντιπρόσωπό σας ή το κέντρο εξυπηρέτησης της Sony.

Όταν η LED φωτισμού δεν αναβοσβήνει, ελέγξτε τα στοιχεία στους παρακάτω πίνακες.

Μπορείτε επίσης να ανατρέξετε στην αντιμετώπιση προβλημάτων του Οδηγού βοήθειας ή να εκτελέσετε αυτοδιάγνωση επιλέγοντας [Βοήθεια] → [Αυτόματα διαγνωστικά]. Αν το πρόβλημα παραμένει, προσκομίστε την τηλεόραση για επισκευή από εξουσιοδοτημένο τεχνικό προσωπικό.

Προβλήματα και λύσεις

Δεν υπάρχει καθόλου εικόνα (η οθόνη είναι σκοτεινή) και καθόλου ήχος.

- Ελέγξτε τη σύνδεση της κεραίας/του καλωδίου.
- Συνδέστε την τηλεόραση στην κεντρική παροχή και πιέστε το **⏻** στην τηλεόραση ή το τηλεχειριστήριο.

Δεν είναι δυνατός ο συντονισμός ορισμένων προγραμμάτων.

- Ελέγξτε τη σύνδεση της κεραίας/του καλωδίου.
- Το δορυφορικό καλώδιο ενδέχεται να έχει βραχυκυκλωθεί ή ενδέχεται να υπάρχουν προβλήματα σύνδεσης του καλωδίου. Ελέγξτε τη διαθέσιμη σύνδεση και, στη συνέχεια, απενεργοποιήστε την τηλεόραση με το διακόπτη ενεργοποίησης/απενεργοποίησης και ενεργοποιήστε την ξανά.
- Η συχνότητα που ορίσατε είναι εκτός εύρους. Συμβουλευτείτε την εταιρεία της δορυφορικής μετάδοσης που λαμβάνετε.

Δεν βρέθηκε καμία υπηρεσία (πρόγραμμα) καλωδιακής τηλεόρασης.

- Ελέγξτε τη σύνδεση του καλωδίου ή τις ρυθμίσεις συντονισμού.
- Επιχειρήστε να εκτελέσετε τη λειτουργία [Ψηφιακός αυτόματος συντονισμός] επιλέγοντας [Κεραία] αντί για [Καλωδιακή TV].

Το τηλεχειριστήριο δεν λειτουργεί.

- Αλλάξτε τις μπαταρίες.

Έχετε ξεχάσει τον κωδικό πρόσβασης για τη λειτουργία [Κλείδωμα για παιδιά (Μετάδοση)].

- Πληκτρολογήστε τον αριθμό 9999 ως κωδικό PIN. Ενημερώστε τον κωδικό PIN επιλέγοντας [Ρυθμίσεις] → [Κλείδωμα για παιδιά (Μετάδοση)] → [Αλλαγή Κωδικού PIN].

Το περιβάλλον τμήμα της τηλεόρασης θερμαίνεται.

- Όταν η τηλεόραση χρησιμοποιείται για μεγάλο χρονικό διάστημα, το περιβάλλον τμήμα της τηλεόρασης θερμαίνεται. Μπορεί να αισθανθείτε τη θερμότητα εάν αγγίξετε τη συγκεκριμένη περιοχή με τα χέρια σας.

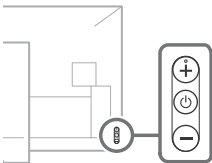
Ο ήχος ή η εικόνα "παγώνει", εμφανίζεται κενή οθόνη ή η τηλεόραση δεν αποκρίνεται στα κουμπιά της τηλεόρασης ή του τηλεχειριστηρίου.

- Εκτελέστε μια απλή επαναφορά της τηλεόρασης αποσυνδέοντας το καλώδιο ρεύματος για δύο λεπτά και, στη συνέχεια, συνδέοντας το ξανά.

Δεν είναι δυνατός ο εντοπισμός των κουμπιών , + και - στην τηλεόραση.

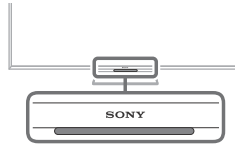
- Συμβουλευτείτε την παρακάτω εικόνα για τη θέση των κουμπιών στην τηλεόραση.

Πίσω πλευρά της τηλεόρασης



Η λυχνία LED φωτισμού είναι αναμμένη.


- Αν δεν θέλετε να είναι αναμμένη η λυχνία LED φωτισμού, μπορείτε να τη σβήσετε. Πιέστε **HOME** και, στη συνέχεια, επιλέξτε [Ρυθμίσεις] → [LED φωτισμού] → [Όχι].



Δεν είναι δυνατή η σύνδεση με ασύρματο δρομολογητή μέσω WPS (Wi-Fi Protected Setup).

- Αν χρησιμοποιείτε ασφάλεια WEP, επιλέξτε [Απλή] → [Wi-Fi] → [Σύνδεση από λίστα σάρωσης]. Στη συνέχεια, επιλέξτε το όνομα του δικτύου (SSID) στο οποίο θέλετε να συνδεθείτε.

Δεν είναι δυνατή η εύρεση του ονόματος του απαιτούμενου δικτύου στη ρύθμιση δικτύου.

- Επιλέξτε [[Χειροκίνητη εισαγωγή]] και πατήστε  για να εισαγάγετε όνομα δικτύου.

Τεχνικά χαρακτηριστικά

Σύστημα

Σύστημα οθόνης

Οθόνη LCD (Οθόνη υγρών κρυστάλλων),
Οπίσθιος υπαίτισμός LED

Τηλεοπτικό σύστημα μετάδοσης

Ανάλογα με την επιλογή χώρας/περιοχής/
μοντέλου τηλεόρασης

Αναλογικό: B/G, D/K, L, I

Ψηφιακό: DVB-T/DVB-C

DVB-T2*

Δορυφορικό*: DVB-S/DVB-S2

Σύστημα χρωμάτων

PAL, SECAM, NTSC3.58 (Μόνο εικόνα), NTSC4.43
(Μόνο εικόνα)

Κάλυψη καναλιών

Ανάλογα με την επιλογή χώρας/περιοχής/
μοντέλου τηλεόρασης

Αναλογικό: UHF/VHF/Καλωδιακή

Ψηφιακό: UHF/VHF/Καλωδιακή

Δορυφορικό*: Ενδιάμεση συχνότητα (IF) 950-
2.150 MHz

Έξοδος Ήχου

10 W + 10 W

Ασύρματη τεχνολογία

Πρωτόκολλο IEEE802.11ac/a/b/g/n

(Το πρωτόκολλο IEEE802.11ac ενδέχεται να μην
είναι διαθέσιμο ανάλογα με τη χώρα/την
περιοχή.)

Bluetooth έκδοση 4.1

* Δεν διαθέτουν όλες οι τηλεοράσεις τεχνολογία
DVB-T2 ή DVB-S/S2 ή ακροδέκτη δορυφορικής
κεραίας.

Υποδοχές εισόδου/εξόδου

Κεραία/καλωδιακή

Εξωτερικός ακροδέκτης 75 ohm για VHF/UHF

Δορυφορική κεραία

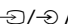
Θηλικό βύσμα τύπου F, 75 ohm.

DiSEqC 1.0, LNB 13 V/18 V & τόνος 22 kHz,

Μονή διαν. καλωδιακής TV EN50494.

 AV 1

Υποδοχή SCART 21 ακίδων (πρότυπο CENELEC)
που περιλαμβάνει είσοδο ήχου/εικόνας, είσοδο
RGB και έξοδο ήχου/εικόνας τηλεόρασης.

 AV 2

Υποδοχή εικόνας/ήχου (μίνι υποδοχή)

HDMI IN 1, 2, 3, 4 (υποστηρίζει ανάλυση 4K,
συμβατό με HDCP 2.2)

Βίντεο (2D):

4096 × 2160p (50, 60 Hz)*1, *2, 4096 × 2160p
(24 Hz)*1, 3840 × 2160p (50, 60 Hz)*2,
3840 × 2160p (24, 25, 30 Hz), 1080p (30, 50,
60 Hz), 1080/24p, 1080i (50, 60 Hz), 720p (30,
50, 60 Hz), 720/24p, 576p, 576i, 480p, 480i,
Μορφές υπολογιστή

*1 Η ένδειξη 3840 × 2160p εμφανίζεται όταν
εισάγεται σήμα 4096 × 2160p

*2 Μόνο για HDMI IN 2 / 3.

Βίντεο (3D) (Μόνο για μοντέλα συμβατά με 3D):

Τοποθέτηση καρτέ: 1080p (30Hz), 1080/24p,
1080i (50, 60Hz), 720p (30, 50, 60Hz), 720/24p



Σε παράθεση: 1080p (50, 60Hz), 1080/24p,
1080i (50, 60Hz), 720p (50, 60Hz)

Κατακόρυφη παράθεση: 1080p (30, 50, 60Hz),
1080/24p, 1080i (50, 60Hz), 720p (50, 60Hz)

Ήχος: Γραμμικό PCM 5,1 καναλιών: 32, 44,1, 48,
88,2, 96, 176,4 και 192 kHz, 16, 20 και 24 bit, Dolby
Digital, Dolby Digital Plus και DTS
ARC (Audio Return Channel) (μόνο για HDMI IN 3)
(Γραμμικό PCM δύο καναλιών, Dolby Digital,
Dolby Digital Plus, DTS)


 DIGITAL AUDIO OUT (OPTICAL)

Οπτική ψηφιακή υποδοχή (Γραμμικό PCM δύο
καναλιών, Dolby Digital, DTS)

AUDIO OUT  /  (Υποδοχή μίνι στέρεο)

Ακουστικά, Έξοδος ήχου, Subwoofer

 1,  2,  3 (HDD REC)*1

Θύρα συσκευής USB ( 3 για συσκευή USB
HDD για τη λειτουργία ΕΓΓΡΑΦΗΣ)

Οι θύρες USB 1 και 2 υποστηρίζουν High Speed
USB (USB2.0).

Η θύρα USB 3 υποστηρίζει Super Speed USB
(USB3.0).



Υποδοχή CAM (Μονάδα Περιορισμένης
Πρόσβασης)

 LAN

Σύνδεσμος 10BASE-T/100BASE-TX (Η ταχύτητα
σύνδεσης ενδέχεται να διαφέρει, ανάλογα με το
περιβάλλον λειτουργίας του δικτύου. Η
ταχύτητα και η ποιότητα επικοινωνίας μέσω
10BASE-T/100BASE-TX δεν είναι εγγυημένες για
αυτή την τηλεόραση.)

IR BLASTER *1

Είσοδος καλωδίου IR Blaster (μίνι υποδοχή)

Άλλα

Προαιρετικά εξαρτήματα

Επι τοίχεια Βάση: SU-WL450 (μόνο για KD-65ZD9)

Ασύρματο Subwoofer: SWF-BR100
Ενεργά γυαλιά 3D: TDG-BT500A



Θερμοκρασία λειτουργίας
0 °C – 40 °C

Υγρασία λειτουργίας

10 % – 80 % σχετική υγρασία (χωρίς συμπύκνωση)

Ισχύς, Δελτίο Προϊόντος και άλλα

Απαιτήσεις τροφοδοσίας

Όνομαστική τιμή: Είσοδος 220 V - 240 V AC,
50 Hz

Κλάση ενεργειακής απόδοσης

KD-75ZD9: B
KD-65ZD9: B

Μέγεθος οθόνης (διαγωνίως) (Περίπου)

KD-75ZD9: 189,3 cm / 75 ίντσες
KD-65ZD9: 163,9 cm / 65 ίντσες

Κατανάλωση ισχύος

στη [Κανονικό] λειτουργία

KD-75ZD9: 259 W
KD-65ZD9: 210 W

στη [Ζωηρή] λειτουργία

KD-75ZD9: 453 W
KD-65ZD9: 347 W

Μέση ετήσια κατανάλωση ενέργειας*2

KD-75ZD9: 359 kWh
KD-65ZD9: 291 kWh

Κατανάλωση ενέργειας σε αναμονή*3*4

0,50 W (27 W στη λειτουργία ενημέρωσης λογισμικού/EPG)

Ανάλυση οθόνης

3.840 κουκίδες (οριζόντια) × 2.160 γραμμές (κατακόρυφη)

Όνομαστική έξοδος

USB 1/2: 5 V, ---, 500 mA, μέγιστη
USB 3: 5 V, ---, 900 mA, μέγιστη

Διαστάσεις (Περίπου) (π × υ × β)

με βάση επιτραπέζια τοποθέτηση

KD-75ZD9: 168,4 × 104,7 × 27,8 cm
KD-65ZD9: 146,2 × 92,0 × 26,8 cm

χωρίς βάση επιτραπέζια τοποθέτηση

KD-75ZD9: 168,4 × 97,3 × 7,8 cm
KD-65ZD9: 146,2 × 84,7 × 7,8 cm

Βάρος (Περίπου)

με βάση επιτραπέζια τοποθέτηση

KD-75ZD9: 45,1 kg
KD-65ZD9: 35,7 kg

χωρίς βάση επιτραπέζια τοποθέτηση

KD-75ZD9: 41,3 kg
KD-65ZD9: 32 kg

- *1 Μόνο σε περιορισμένες περιοχές/χώρες/μοντέλα τηλεόρασης.
- *2 Ετήσια κατανάλωση ενέργειας, με βάση την κατανάλωση ισχύος της τηλεόρασης σε ημερήσια 4 ωρη λειτουργία επί 365 ημέρες. Η πραγματική κατανάλωση ενέργειας εξαρτάται από τον τρόπο χρήσης της τηλεόρασης.
- *3 Η συγκεκριμένη κατανάλωση ενέργειας σε αναμονή επιτυγχάνεται αφού η τηλεόραση ολοκληρώσει τις απαραίτητες εσωτερικές διαδικασίες.
- *4 Η κατανάλωση ενέργειας σε κατάσταση αναμονής αυξάνεται, όταν η τηλεόραση είναι συνδεδεμένη στο δίκτυο.

Σημείωση


- Μην αφαιρέσετε την εικονική κάρτα από την υποδοχή CAM (Μονάδα Περιορισμένης Πρόσβασης) της τηλεόρασης εκτός εάν πρόκειται να τοποθετήσετε μια έξυπνη κάρτα που ταιριάζει στην υποδοχή CAM.
- Η διαθεσιμότητα των προαιρετικών εξαρτημάτων εξαρτάται από τη χώρα/την περιοχή/το μοντέλο της τηλεόρασης/το απόθεμα.
- Ο σχεδιασμός και οι προδιαγραφές υπόκεινται σε αλλαγή χωρίς προειδοποίηση.

Σημειώσεις για τη λειτουργία Ψηφιακής τηλεόρασης

- Οποιαδήποτε λειτουργία σχετίζεται με την Ψηφιακή τηλεόραση (DVB) θα είναι διαθέσιμη μόνο στις χώρες ή τις περιοχές όπου μεταδίδονται ψηφιακά επίγεια σήματα DVB-T/DVB-T2 (MPEG-2 και H.264/MPEG-4 AVC) ή όπου υπάρχει πρόσβαση σε συμβατή υπηρεσία καλωδιακής τηλεόρασης DVB-C (MPEG-2 και H.264/MPEG-4 AVC). Παρακαλούμε επιβεβαιώστε με τον τοπικό σας αντιπρόσωπο εάν μπορείτε να λάβετε σήμα DVB-T/DVB-T2 στην περιοχή σας ή ρωτήστε τον παροχέα της καλωδιακής τηλεόρασης κατά πόσο το σήμα DVB-C που παρέχει είναι κατάλληλο για χρήση σε αυτή την τηλεόραση.
- Ο παροχέας της καλωδιακής τηλεόρασης ενδέχεται να χρεώνει πρόσθετη αμοιβή για μια τέτοια υπηρεσία ή να σας ζητήσει να συμφωνήσετε με τους όρους και τις προϋποθέσεις παροχής της υπηρεσίας.
- Η τηλεόραση αυτή πληροί τις προδιαγραφές DVB-T/DVB-T2 και DVB-C, αλλά η συμβατότητα με τις μελλοντικές ψηφιακές επίγειες μεταδόσεις DVB-T/DVB-T2 και τις ψηφιακές καλωδιακές μεταδόσεις DVB-C δεν είναι εγγυημένη.
- Μερικές λειτουργίες της ψηφιακής τηλεόρασης ενδέχεται να μην είναι διαθέσιμες σε ορισμένες χώρες/περιοχές και η υπηρεσία της καλωδιακής τηλεόρασης DVB-C να μη λειτουργεί σωστά με όλους τους παροχείς.

Πληροφορίες για το εμπορικό σήμα

- Οι όροι HDMI και HDMI High-Definition Multimedia Interface και το λογότυπο HDMI είναι εμπορικά σήματα ή σήματα κατατεθέντα της HDMI Licensing LLC στις Ηνωμένες Πολιτείες και σε άλλες χώρες.
- Δημιουργήθηκε με άδεια από την Dolby Laboratories.
Το Dolby, Dolby Audio και το σύμβολο διπλού D αποτελούν εμπορικά σήματα της Dolby Laboratories.
- "BRAVIA" και BRAVIA είναι εμπορικά σήματα της Sony Corporation.
- Οι ονομασίες Gracenote, Gracenote eyeQ, Gracenote VideoID, Gracenote Video Explore, το λογότυπο και η μορφή του λογότυπου Gracenote καθώς και το λογότυπο "Powered by Gracenote" είναι σήματα κατατεθέντα ή εμπορικά σήματα της Gracenote στις Ηνωμένες Πολιτείες ή/και σε άλλες χώρες.
- Opera® Devices SDK from Opera Software ASA. Copyright 1995-2015 Opera Software ASA. All rights reserved.
- Οι ονομασίες Wi-Fi, Wi-Fi Direct, Miracast, Wi-Fi Protected Setup και το λογότυπο Wi-Fi CERTIFIED είναι εμπορικά σήματα ή σήματα κατατεθέντα της Wi-Fi Alliance.
- Για τις ευρεσιτεχνίες DTS, ανατρέξτε στην τοποθεσία <http://patents.dts.com>. Κατασκευάζεται κατόπιν άδειας από την DTS, Inc.
Η ονομασία DTS, το σύμβολο και η ονομασία DTS σε συνδυασμό με το σύμβολο είναι σήματα κατατεθέντα και η ονομασία DTS Digital Surround είναι εμπορικό σήμα της DTS, Inc. © DTS, Inc. Με επιφύλαξη παντός δικαιώματος.
- Ο όρος QuickSet και το λογότυπο QuickSet είναι εμπορικά σήματα της Universal Electronics Inc. Portions © UEI 2000-2015
- Το λεκτικό σήμα και τα λογότυπα Bluetooth® είναι σήματα κατατεθέντα και ανήκουν στην Bluetooth SIG, Inc. και οποιαδήποτε χρήση αυτών των σημάτων από την Sony Corporation γίνεται κατόπιν παραχώρησης άδειας χρήσης. Τα άλλα εμπορικά σήματα και οι εμπορικές ονομασίες ανήκουν στους αντίστοιχους κατόχους τους.

- Η ονομασία DiSEqC™ είναι εμπορικό σήμα της EUTELSAT.
Αυτή η τηλεόραση υποστηρίζει DiSEqC 1.0. Αυτή η τηλεόραση δεν προορίζεται για χειρισμό μηχανοκίνητων κεραιών.
- Η επωνυμία TUXERA είναι σήμα κατατεθέν της Tuxera Inc. στις ΗΠΑ και σε άλλες χώρες.
- Το λογότυπο USB με την τριάντα "USB-IF SuperSpeed" είναι εμπορικό σήμα κατατεθέν της USB Implementers Forum, Inc. 

İçindekiler

ÖNEMLİ NOT	2
Güvenlik Bilgileri	3
Uyarılar	5
Parçalar ve Kumandalar	7
Kumandalar ve Işıklar	7
Uzaktan kumandayı kullanma	8
Uzaktan Kumanda Bölümlerinin Tanımı	8
Bağlantı Şeması	10
Televizyonu duvara monte etme	12
Yalnızca KD-75ZD9	14
Sorun Giderme	16
Sorunlar ve Çözümleri	16
Spesifikasyonlar	17

Giriş

Bu Sony ürününü seçtiğiniz için teşekkür ederiz. Televizyonu çalıştırmadan önce, lütfen bu kullanım talimatı kitapçığını iyice okuyunuz ve de ileride kullanmak üzere saklayınız.

Not

- Televizyonu çalıştırmadan önce lütfen okuyun: "Güvenlik Bilgileri" (sayfa 3).
- Kurulum Kılavuzu'nda ve kılavuzda kullanılan resimler ve çizimleri yalnızca başvuru amaçlıdır ve gerçek üründen farklı olabilir.

Kurulum Kılavuzunun Yeri

Kurulum Kılavuzu televizyon kartonunun içindeki yastığın üzerindedir.

Yardım Kılavuzu

Yardım özelliği, televizyonunuzla ilgili birçok bilgi sunar. Yardım özelliğini kullanmak için uzaktan kumandadaki **HELP** tuşuna basın. İşlemlerin nasıl yapılacağını bulabilir, sorun giderme talimatlarını listeden seçebilir ve sesli olarak veya anahtar kelime girerek arayabilirsiniz. Kılavuzu görüntülemek için, Yardım Menüsündeki [Yardım Kılavuzu] öğesini seçin. Televizyonunuzu internete bağladığınızda, Yardım özelliği ve bilgileri güncellenir.

Tanım etiketinin konumu

Televizyon Model No, Üretim Tarihi (yıl/ay) ve Güç Besleme nominal değerleri için etiketler televizyonun veya ambalajın arkasında bulunur. Bunlara orta kapak sökülerek erişilir.

UYARI

**YANGIN ÇIKMASINI
ÖNLEMELERİNİZİN İÇİN, MUM
VE BAŞKA AÇIK ALEV
KAYNAKLARINI BU ÜRÜNDEN
HER ZAMAN UZAKTA TUTUN.**



ÖNEMLİ NOT

Bu ürün, 1-7-1 Konan Minato-ku Tokyo, 108-0075 Japonya adresinde bulunan Sony Corporation tarafından veya onun adına üretilmiştir. Avrupa Birliği mevzuatına dayanan ürün uyumluluğu ile ilgili sorgulamalar, Sony Belgium, bijkantoor van Sony Europe Limited, Da Vincilaan 7-D1, 1935 Zaventem, Belçika adresindeki yetkili temsilciye yönlendirilecektir. Servis veya garanti ile ilgili konular için lütfen servis ve garanti belgelerinde belirtilen adreslere başvurun.

Kablosuz Sinyalle İlgili Not

Sony Corporation, bu ürün için gerekli tüm testleri 1999/5/EC Direktifine ve bunun ilgili diğer şartlarına göre yapmış bulunmaktadır.

Daha detaylı bilgi için lütfen web sayfasını ziyaret ediniz: <http://www.compliance.sony.de/>

Müşteriler için not: Aşağıdaki bilgiler sadece AB yönetmeliklerini uygulayan ülkelerde satılan cihazlar için geçerlidir.

Televizyon kablosuz sistemi sadece aşağıdaki ülkelerde kullanılabilir:

AT, BE, HR, CY, CZ, DK, EE, FI, FR, DE, GR, HU, IE, IT, LV, LT, LU, MT, NL, PL, PT, SK, SI, ES, SE, GB, IS, LI, NO, CH, BG, RO, TR, AL, BA, MK, MD, RS, ME, Kosova

Bu cihaz Avrupa harici ülkelerde çalıştırılmaz.



Güvenlik Bilgileri

UYARI

Piller güneş ışığı, ateş ve benzeri aşırı ısı kaynaklarına maruz bırakılmamalıdır.

Televizyon setini asla dengelessiz yerlere yerleştirmeyin. Televizyon seti düşerek yaralanmaya veya ölüme neden olabilir. Aşağıdaki gibi basit önlemler alınarak özellikle çocukların görebileceği çok sayıda yaralanma önlenebilir.

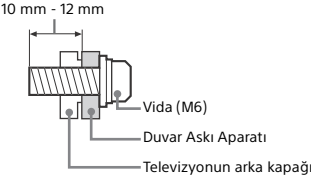
- Televizyon setinin üreticisi tarafından önerilen dolap veya sehpaları kullanın.
 - Yalnızca televizyon setini güvenli bir şekilde destekleyebilen mobilyaları kullanın.
 - Televizyon setinin destekleyen mobilyanın kenarında çıkıntı oluşturmadığından emin olun.
 - Televizyon seti yüksek mobilya üzerine (örn. büfe veya kitaplık) mobilya ve televizyon setinin her ikisini de uygun bir desteğe sabitlemeden yerleştirmeyin.
 - Televizyon setini, televizyon seti ile destekleyen mobilya arasına konulabilecek örtü veya diğer malzemeler üzerine yerleştirmeyin.
 - Televizyon seti düğmelerine erişmek için mobilyanın üzerine çıkma gibi tehlikeler konusunda çocukları uyarın.
- Mevcut televizyon seti yerinde tutulacak veya yeniden yerleştirilecek olursa, yukarıdaki uyarılar tekrar dikkate alınmalıdır.

Montaj/Kurulum

Herhangi bir yangın, elektrik çarpması veya hasar ve/veya yaralanma riskini önlemek amacıyla televizyon setini aşağıdaki talimatlara uygun olarak monte ediniz ve kullanınız.

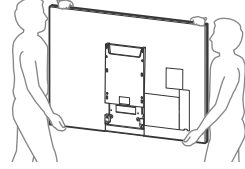
Montaj

- Televizyon seti, erişimi kolay bir prizim yakınına monte edilmelidir.
 - Televizyonun düşüp yaralanma veya maddi hasara yol açmasını önlemek için televizyonu sabit, düz bir yüzeye yerleştirin.
 - Televizyonu çekilemeyeceği, itilemeyeceği veya devrilemeyeceği bir yere kurun.
 - Duvara monte etme işlemlerini sadece kalifiye servis personeli gerçekleştirmelidir.
 - Emniyet nedenlerinden ötürü, Sony aksesuarlarını kullanmanızı önemle tavsiye ederiz, buna aşağıdaki bileşen de dahildir:
Duvar Askı Aparatı
– SU-WL450 (Yalnızca KD-65ZD9)
 - Duvar Askı Aparatını televizyona takarken, Duvar Askı Aparatı ile verilen vidaları kullandığınızdan emin olun. Ürünle verilen vidalar, şekilde gösterildiği gibi Duvar Askı Aparatının bağlantı yüzeyinden itibaren ölçülerek tasarlanmıştır. Vidaların çapı ve uzunluğu, duvara-montaj braketinin modeline bağlı olarak değişiklik gösterir.
- Temin edilmiş vidaların haricinde başka vidaların kullanılması, TV setinin iç kısmının zarar görmesine veya düşmesine vs. neden olabilir.



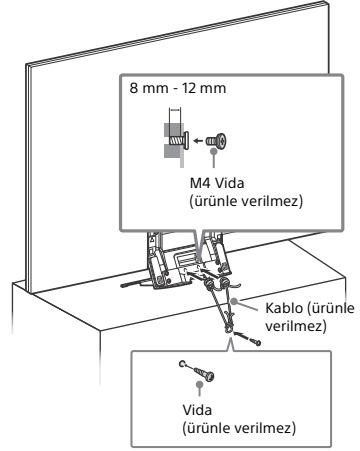
Nakliye

- Televizyon setini taşımadan önce, tüm kablolarını sökünüz.
- Büyük bir televizyon setini taşımak için iki veya üç kişi gerekir.
- Televizyon elle taşınırken aşağıda gösterildiği şekilde tutun. LCD panele ve ekranın etrafındaki muhafaza kasasına baskı uygulamayınız.



- Televizyon setini taşırken, sarsıntılara ve aşırı titreşimlere maruz bırakmayınız.
- Televizyon setini tamir için taşırken veya yerini değiştirirken, orijinal karton ve ambalaj malzemelerini kullanarak paketleyiniz.

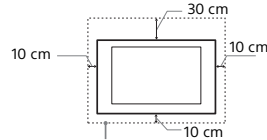
Devrilmemin önlenmesi



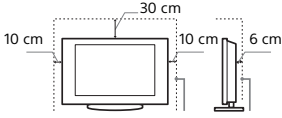
Havalandırma

- Asla havalandırma deliklerini kapatmayınız veya kabinin içine herhangi bir şey sokmayınız.
- Televizyon setinin etrafında, aşağıda gösterildiği gibi boş alan bırakınız.
- Yeterli hava sirkülasyonu sağlamak için mutlaka bir Sony Duvar Askı Aparatı kullanmanızı öneririz.

Duvara monte edildiğinden



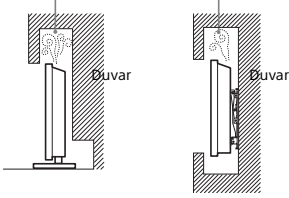
Stand ile monte edildiğinde



Setin etrafında en az bu kadar boşluk bırakınız.

- Uygun bir havalandırma sağlamak ve kir ve tozların birikmesini önlemek için:
 - Televizyon setini düz, baş aşağı, arkaya doğru veya yana dönük şekilde monte etmeyiniz.
 - Televizyon setini bir raf, halı, yatak üzerine veya bir dolaba monte etmeyiniz.
 - Televizyon setini perde veya gazete gibi şeylerle örtmeyiniz.
 - Televizyon setini aşağıda gösterildiği gibi monte etmeyiniz.

Hava sirkülasyonu tıkalı.



Ana elektrik kablosu

Herhangi bir yangın, elektrik çarpması veya hasar ve/veya yaralanma riskini önlemek amacıyla, elektrik kablosu ve fişi ile ilgili olarak aşağıdaki hususlara riayet ediniz:

- Sadece Sony tarafından temin edilen elektrik kablolarını kullanınız, farklı tedarikçilerden temin edileneri kullanmayınız.
- Fişi elektrik prizine tam olarak sokunuz.
- Televizyon setini sadece bir 220 V - 240 V AC elektrik kaynağı ile çalıştırınız.
- Kablo bağlantılarını yaparken, güvenliğinizi için elektrik fişini çekmeyi unutmayınız ve ayaklarınızın kablolarla dolaşmasına dikkat ediniz.
- Televizyon seti ile ilgili bir iş yapmadan veya taşımadan önce, elektrik fişini prizden çekiniz.
- Ana elektrik kablosunu ısı kaynaklarından uzak tutunuz.
- Elektrik fişini prizden çekiniz ve fişi düzenli olarak temizleyiniz. Eğer fiş tozla kaplırsa ve nemlenirse, yalıtımı bozularak bir yangına neden olabilir.

Not

- Ürünle birlikte verilen ana elektrik kablosunu başka bir cihazda kullanmayınız.
- Ana elektrik kablosunu aşırı derecede sıkıştırmayınız, bükmeyiniz veya kıvrımayınız. İçindeki iletkenler açığa çıkabilir veya kırılabilir.
- Ana elektrik kablosunda bir değişiklik yapmayınız.
- Ana elektrik kablosunun üzerine ağır bir şey koymayınız.
- Elektrik fişini prizden çekerken kablosundan tutarak çekmeyiniz.
- Birden fazla cihazı aynı prize takmayınız.
- Gevşek durumdaki elektrik prizlerini kullanmayınız.

Yasaklanmış Kullanım

Televizyon setini, aşağıda belirtilenler gibi yerlerde, ortamlarda veya durumlarda kullanmayınız/monte etmeyiniz, aksi halde televizyon seti arıza yapabilir ve yangına, elektrik çarpmasına, hasara ve/veya yaralanmaya neden olabilir.

Yer:

- Dış mekanlara (direk güneş ışığı altına), deniz kıyısına, bir gemiye veya başka bir tekneye, bir aracın içine, medikal kurumlara, dengesiz yerlere, suyun, yağmurun, nemin veya dumanın olduğu yerlerin yakınına.

Ortam:

- Sıcak, nemli veya aşırı tozlu yerler; böceklerin girebileceği yerler; mekanik titreşime maruz kalabilecek yerler, yanıcı maddelerin yanı (mumlar, v.s.). Televizyon setine su damlaları veya su sıçramaları gelmemelidir ve vazvo gibi içi sıvı dolu eşyalar televizyonun üzerine konulmamalıdır.

Durum:

- Ellerinizi ıslakken, cihazın kasası açıkken veya üretici tarafından önerilmeyen aksesuarlar kullanıldığında cihazın kullanımı. Yıldırımli havalarda televizyon setinin elektrik ve anten bağlantısını çekiniz.
- Televizyonun açık bir alana taşacak biçimde monte edilmesi. Televizyona çarpılması nedeniyle yaralanma veya maddi hasar oluşabilir.



- Televizyonun nemli veya tozlu bir yere veya yağlı dumanın veya buharın bulunduğu bir odaya (yemek pişirme tezgahı veya nemlendirme cihazların yakınına) yerleştirilmesi. Aksi takdirde yangın, elektrik çarpması veya deforme olma riski oluşur.
- Televizyonun doğrudan güneş ışığı, bir radyatörün yakını veya bir ısıtma kanalı gibi, aşırı sıcaklıklara maruz kalacağı yerlere monte edilmesi. Televizyon, kasaının deforme olmasına ve/veya televizyonunu anızalanmasına sebep olacak kadar aşırı ısınabilir.



- Televizyon bir halka açık hamamın veya kaplıcanın soyunma odasına yerleştirilirse, havadaki sülfür vb. sebebiyle televizyon zarar görebilir.



- En iyi resim kalitesi için, ekranı aydınlatmalara veya güneş ışığına doğrudan maruz bırakmayın.
- Televizyonu soğuk bir yerden sıcak bir yere taşımaktan kaçınınız.
- Ani oda sıcaklığı değişimleri nem yoğunlaşmasına yol açabilir. Bu, televizyonun görüntüleri ve/veya renkleri kötü görüntülemesine yol açabilir. Böyle durumlarda televizyonu açmadan önce nemin tamamen buharlaşmasını bekleyiniz.

Kırık parçalar:

- Televizyon setine herhangi bir şey fırlatmayınız. Ekran camı çarpması etkisi ile kırılabilir ve ciddi yaralanmalara neden olabilir.
- Eğer televizyon setinin yüzeyinde çatlama olursa, elektrik kablosunu prizden çekinceye kadar dokunmayınız. Diğer durumlarda ise elektrik çarpmasına neden olabilir.

Kullanılmadığında

- Eğer televizyon setini uzunca bir süre kullanmayacaksanız, çevresel ve emniyet nedenlerinden ötürü televizyon setinin fişi prizden çekilmelidir.
- Televizyon setini sadece kapatmış olduğunuzda elektrik beslemesi kesilmiş olmayacağından, televizyon setinin elektrikliğini tamamen kesmek için fişini prizden çekiniz.
- Bazı televizyon setleri, düzgün çalışabilmesi için bekleme durumunda bırakılmasını gerektiren özelliklere sahip olabilir.

Çocuklar için

- Çocukların televizyon setine tırmanmalarına izin vermemeyiniz.
- Küçük aksesuarları, çocukların yanlışlıkla yutmasına için, çocukların ulaşamayacağı yerlere kaldırınız.

Aşağıdaki problemler ortaya çıkarsa...

Aşağıdaki problemlerden birinin olması durumunda, televizyon setini **kapatınız** ve fişini prizden çekiniz. Satıcınızdan veya Sony yetkili servisinden, kalifiye servis personeline kontrol edilmesini talep ediniz.

Eğer:

- Elektrik kablosu hasarlıysa.
- Elektrik prizi gevşek durumdaysa.
- Düşmeden, darbelerden veya bir şeyin çarpmasından ötürü televizyon seti hasar görmüşse.
- Herhangi bir sıvı veya katı cisim kasadaki menfezlerden içeri düşerse.

LCD TV Sıcaklığı Hakkında

LCD TV uzun süre kullanıldığında panelin çevresi ısınır. Ellediğinizde sıcaklığı hissedebilirsiniz.

Uyarılar

Televizyonu seyretme

- Televizyonun zayıf ışık altında veya uzunca bir süre seyredilmesi gözlerinizi yoracağından, televizyonu orta dereceli bir ışık altında seyrediniz.
- Kulaklık kullanırken, işitme hasarına neden olabileceğinden sesi aşırı seviyelerde olmayacak şekilde ayarlayınız.

(Sadece 3D uyumlu modeller)

- Bazı kişiler 3D video görüntülerini izlerken veya stereoskopik 3D oyunlar oynarken rahatsızlık (gözlerin yorulması, baş dönmesi veya mide bulantısı gibi) duyabilirler. Sony, tüm izleyicilerin 3D video görüntülerini izlerken veya stereoskopik 3D oyunlar oynarken düzenli molalar vermesini önerir. Gerekli olan molaların süresi ve sıklığı kişiden kişiye değişir. Sizin için hangisinin en uygun olduğuna kendiniz karar vermeniz gerekir. Rahatsızlık duyduğunuzda, rahatsızlığınız sona erinceye kadar 3D video görüntülerini izlemeye veya stereoskopik 3D oyunlar oynamaya ara vermeniz gerekir; gerekli olduğuna inanıyorsanız bir doktora danışın. En yeni bilgiler için, bu televizyonu kullandığınız diğer cihazların ve medyaların kullanım kılavuzlarını da okumanız (i) ve web sitemize (www.sony.eu/support) bakmanız (ii) gereklidir. Küçük çocukların (özellikle altı yaşın altındakilerin) görme duyuları halen gelişmektedir. Çocuğunuzun 3D video görüntülerini izlemesine veya stereoskopik 3D oyunlar oynamasına izin vermeden önce bir doktora (örn. çocuk doktoru veya göz doktoru) danışın. Yetişkinler yukarıdaki önerilere uymaya özen göstererek küçük çocuklarını gözetmelidir.
- 3D gözlüğü veya pili ateşin yakınında veya güneş ışığı altında, veya güneş altındaki araçlar içi gibi yüksek sıcaklıklarda bırakmayın, örn.

LCD Ekran

- LCD ekran yüksek duyarlılık teknolojisiyle yapılmış ve pikselleri % 99,99' u veya daha fazlası etkin olmasına rağmen, LCD ekranda devamlı olarak siyah noktalar veya parlak ışık noktaları (kırmızı, mavimsi, veya yeşil) görülebilir. Bu, LCD ekranın yapısal bir özelliği olup bir arıza değildir.
- Ön filtreye bastırmanız veya çizmeyiniz yada bu televizyon setinin üzerine eşyalar koymayınız. Görüntü düzgün gözükmez veya LCD ekran hasar görebilir.
- Bu televizyon seti soğuk bir yerde kullanılıyorsa, görüntüde bir lekeleme oluşabilir veya görüntü koyulaşabilir. Bu bir arıza belirtisi değildir. Bu olay, sıcaklığın yükselmesiyle birlikte ortadan kalkar.
- Hareketsiz görüntüler devamlı görüntülendiğinde gölgeler oluşabilir. Birkaç dakika sonra yok olabilir.
- Televizyon seti kullanılmıyken ekran ve kasa ısınabilir. Bu, bir fonksiyon bozukluğu değildir.
- LCD ekran, az miktarda bir sıvı kristal içermektedir. İmha ile ilgili olarak yerel kanun ve tüzüklere riayet ediniz.

Ekran yüzeyi veya televizyon kasanın kullanımı ve temizliği

Temizlik işlemlerinden önce, televizyon setine bağlı olan elektrik kablosunun fişini prizden çekiniz.

Malzeme aşınmasını veya ekran kaplamasının aşınmasını önlemek için aşağıdaki önerilere riayet ediniz.

- Ekranın/kasanın tozunu almak için, yumuşak bir bez ile nazikçe siliniz. Eğer toz çıkmıyorsa, çok seyreltilmiş bir deterjan solüsyonunu ile hafifçe nemlendirilmiş yumuşak bir bezle siliniz.
- Keskinlik TV'ye doğrudan su ve deterjan püskürtmeyin. Ekranın altına veya dış parçalara sızabilir ve TV'nin içine girebilir, bu TV'de olası hasara neden olabilir.
- Aşındırıcı bir bez, alkali/asitli bir temizleyici, aşındırıcı temizlik tozu veya alkol, benzin, tiner veya böcek ilacı gibi uçucu çözücüler kullanmayınız. Bu tür materyallerin kullanılması kauçuk ya da vinil malzemelere uzun süreli temas etmesi ekran yüzeyine veya kasa malzemesine zarar verebilir.
- Ellerinizde el veya güneş kremi gibi her hangi bir kimyasal varsa Televizyona dokunmayın.
- Uygun bir havalandırma sağlamak için havalandırma deliklerine periyodik olarak vakum uygulanması önerilmektedir.
- Televizyon setinin açısını ayarlarken, televizyon setinin yerinden oynamasını veya tablasından kayıp düşmesini önlemek için yavaşça hareket ettiriniz.

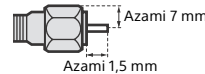


Opsiyonel Ekipmanlar

- Elektromanyetik radyasyon veya opsiyonel bileşenleri veya herhangi bir ekipmanı televizyon setinden uzak tutunuz. Aksi halde görüntü bozulması ve/veya ses parazitlenmesi olabilir.
- Bu ekipman test edilmiştir ve 3 metreden kısa bir bağlantı sinyali kablosu kullanıldığında EMC yönetmeliğinin belirlediği sınırları uyumlu olduğu görülmüştür.

F tipi fiş önerisi

İç tel, bağlantı parçasından azami 1,5 mm dışarı çıkmalıdır.



(F tipi fişin referans çözümü)

Ünitenin Kablosuz Fonksiyonu

- Bu ekipmanın tıp cihazlarının (kalp pili vs.) yakınında çalıştırılması tıp cihazlarının arızalanmasına neden olabilir.
- Bu birim şifreli sinyaller gönderir/almakta birlikte, dışarıdan izinsiz müdahalelere karşı dikkatli olun.
- Bu konuyla ilgili karşılaşılabilecek sorunlarda şirketimiz sorumluluk kabul etmemektedir.

Uzaktan Kumandayı Kullanımla İlgili Not

- Pilleri takarken kutupları doğru yerleştirdiğinizden emin olunuz.
- Farklı tipte pilleri bir arada veya eski ve yeni pilleri karıştırarak kullanmayınız.
- Pilleri, çevreye saygılı bir şekilde imha ediniz. Belirli bölgelerde pillerin imhasıyla ilgili düzenlemeler olabilir. Lütfen yerel makamlarınıza danışınız.
- Uzaktan Kumandayı dikkatli kullanınız. Düşürmeyiniz veya üzerine basmayınız ya da üzerine herhangi bir sıvı dökmeyiniz.
- Uzaktan Kumandayı bir sıvı kaynağı olan veya direkt güneş ışığı alan bir yere ya da nemli bir odanın dışına koymayınız.

Televizyon setinin imhası



Eski Elektrikli ve Elektronik Cihazların İmhası (Avrupa Birliği ve diğer Avrupa ülkelerinde ayrı toplama sistemleriyle uygulanmaktadır)

Ürünün veya ambalajı üzerindeki bu sembol, bu ürünün bir ev atığı gibi muamele görmemesi gerektiğini belirtir. Bunun yerine, elektrikli ve elektronik cihazların geri dönüşümü için uygun

toplama noktasına teslim edilmelidir. Bu ürünün doğru bir şekilde elden çıkarılmasını sağlayarak, uygunsuz bir elden çıkarma durumunda çevre ve insan sağlığı açısından doğacak potansiyel olumsuz sonuçların önlenmesine yardımcı olmuş olacaksınız. Materyallerin geri dönüştürülmesi doğal kaynakların korunmasına yardımcı olacaktır. Bu ürünün geri dönüşümü hakkında daha detaylı bilgi için lütfen ilgili belediye birimi veya ürünü satın aldığınız satıcı ile temasa geçiniz.



Atık pillerin bertaraf edilmesi (Avrupa Birliği'nde ve ayrı toplama sistemleri bulunan diğer Avrupa ülkelerinde uygulanan)

Pil veya ambalajın üzerindeki bu sembol, bu ürünle birlikte teslim edilen pilin evsel atık olarak değerlendirilmemesi gerektiğini belirtmektedir. Bazı piller için bu sembol, kimyasal bir sembole birleştirilerek kullanılmış olabilir. Eğer piller % 0,0005 cıva veya % 0,004 kurşun'dan fazla içerikteseler, o zaman bu kimyasal semboller cıva (Hg) veya kurşun (Pb) için eklenir. Bu pillerin doğru şekilde bertaraf edilmesini sağlamakla, pillerin uygunsuz şekilde bertaraf edilmesi neticesinde çevre ve insan sağlığında meydana gelebilecek olan potansiyel zararların engellenmesine de katkıda bulunmuş olacaksınız. Materyallerin geri dönüştürülmesi doğal kaynakların korunmasına yardımcı olacaktır. Ürünlerin güvenlik, performans veya veri entegrasyon gibi sebeplerden dolayı beraberlerindeki pille sürekli bir bağlantı gerektirdikleri durumlarda pilin yalnızca kalifiye servis personeli tarafından değiştirilmesi zorunludur. Pilin uygun bir şekilde değerlendirilmesini sağlamak amacıyla ürünü, kullanım süresinin sonunda elektrikli ve elektronik ekipmanların geri dönüştürülmesine ilişkin yürürlükte olan toplama noktasına teslim ediniz. Diğer tüm piller için lütfen pillerin üründen güvenli bir şekilde çıkarılmasına ilişkin bölümü inceleyiniz. Pili, atık pillerin geri dönüştürülmesine yönelik yürürlükteki toplama noktasına teslim ediniz. Bu ürünün veya pilin geri dönüştürülmesine ilişkin daha ayrıntılı bilgi için lütfen yerel Yetkili Dairenizle, evsel atık bertaraf servisinizle veya ürünü satın aldığınız mağazayla irtibat kurunuz.



Üretici Firma:

Sony Corporation

1-7-1 Konan, Minato-ku,
Tokyo 108-0075 Japan
Telefon: (+81 3) 6748 2111

Türkiye İrtibat Numaraları:
Tel: 0216-633 98 00
Faks: 0216-632 70 30
email: bilgi@eu.sony.com

AEEE Yönetmeliğine Uygundur
PCB içermez

İTHALATÇI FİRMA

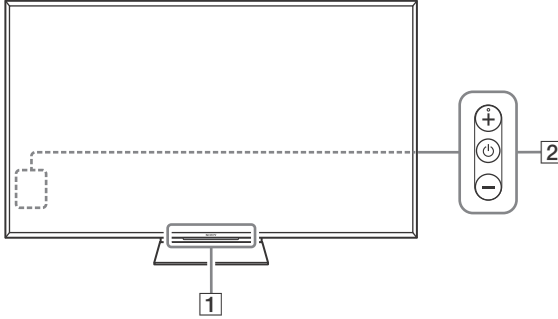
SONY®

SONY EURASIA PAZARLAMA A.Ş.

Saray Mah. Ahmet Tevfik İleri Cad.
Onur Ofis Park Plaza
No:10 Umraniye 34768 İstanbul Türkiye
Telefon: (+90 216) 633 98 00

Parçalar ve Kumandalar

Kumandalar ve Işıklar



1 Uzaktan kumanda sensörü*1 / Işık sensörü*1 / Aydınlatma LED'i / 3D Sync Vericisi*1*2

Aydınlatma LED'i, televizyonun durumuna göre yanıp söner.

- Beyaz
Televizyon açılırken/ekran kapalı modundayken/yazılım güncellemesi sırasında vb.
- Mavi
Bir mobil cihaza kablosuz olarak bağlanırken.
- Pembe*2
Kayıt modu.
- Sarı-yeşil
Zamanlayıcı ayarlanmıştır.

2 ⏻ (Güç) / + / -

Televizyon kapalıyken,
Açmak için ⏻ tuşuna basın.

Televizyon açıkken,
Kapatmak için ⏻ tuşuna uzun basın.
Fonksiyonu değiştirmek için ⏻ ögesine sürekli basın, daha sonra + veya - düğmesine basın:

- Sesi ayarlama
- Kanal seçme
- Televizyonun giriş kaynağını seçme

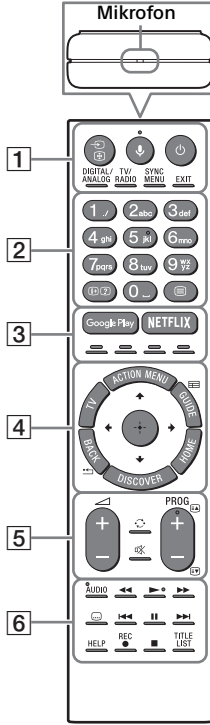
*1 Sensörün yakınına herhangi bir şey koymayın.

*2 Sadece belirli bölgelerde/ülkelerde/televizyon modellerinde.

Uzaktan Kumandayı Kullanma

Uzaktan Kumanda Bölümlerinin Tanımı

Uzaktan Kumandanın şekli, yeri, bulunabilirliği ve uzaktan Kumanda düğmesinin çalışma şekli bölgeye/ülkeye/televizyon modeline göre değişir.



1 (Giriş seçimi/Teletexti dondurma)

Televizyon modundayken: Giriş kaynağını görüntüleyin ve seçin.
Teletext modundayken: O anki sayfayı dondurur.

(Mikrofon)

Ses İşlevini kullanın. (örn. çeşitli içerikleri sesle arama.)

(Televizyon beklemede)

Televizyonu açar veya kapatır (bekleme modu).

DIGITAL/ANALOG

Dijital ile analog mod arasında geçiş yapar.

TV/RADIO

TV veya RADIO yayınları arasında geçiş yapar.

SYNC MENU

BRAVIA Sync Menüsünü görüntüler.

EXIT

Bir önceki ekrana döner veya menüden çıkar. Bir Etkileşimli Uygulama hizmeti varsa, hizmetten çıkmak için basın.

2 Rakam düğmeleri

/? (Bilgi/Gizli metni göster)

Bilgi gösterir.

(Teletext)

Teletext bilgisini görüntüler.

3 Google Play

"Google Play" çevrimiçi hizmetine erişir.

NETFLIX (Sadece belirli bölgelerde/ ülkelerde/televizyon modellerinde)

"NETFLIX" çevrimiçi hizmetine erişir.

Renkli tuşlar

O anki fonksiyonu gerçekleştirir.

4 ACTION MENU

İçeriksel fonksiyonları listeler.

TV

- Bir televizyon kanalına veya başka bir uygulamanın girişine geçer.
- Televizyon kanalını veya girişini görüntülemek için televizyonu açın.

GUIDE/

Dijital program rehberini görüntüler.

BACK/

Önceki ekrana geri döner.

HOME

Televizyonun Home Menüsunü görüntüler.

DISCOVER

İçerik aramak için İçerik Çubuğunu gösterir.

(Öğe seç/Gir)

5 +/- (Ses)

Ses düzeyini ayarlar.


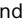
(Atla)

İki kanal veya giriş arasında geçiş yapar.
Televizyon o anki kanalla seçilmiş son kanal veya giriş arasında geçiş yapar.

(Sessiz)

Sesi kapatır. Sesi eski düzeyine getirmek için tekrar basın.

PROG +/-//

Televizyon modundayken: Kanalı seçin.
Teletext modundayken: Sonraki () veya önceki () sayfayı seçer.

6 AUDIO

O an izlenmekte olan program için dili değiştirir.

(Altyazı ayarları)

Altyazıyı açar veya kapatır (bu özellik mevcutsa).

Televizyondaki ve bağlı BRAVIA Sync uyumlu cihazdaki medya içeriklerini çalıştırır.

HELP

Yardım Menüsunü gösterir. Yardım Kılavuzu'na buradan erişilebilir.

REC

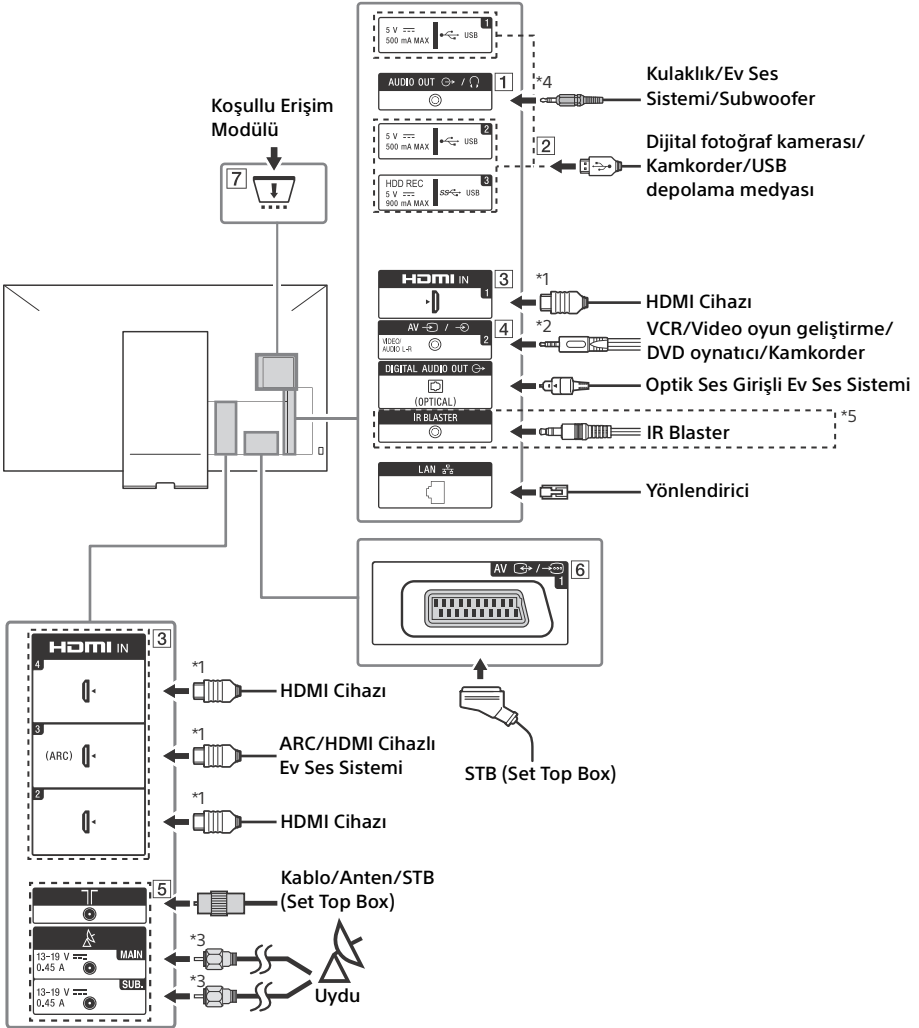
O anki programı USB HDD kaydetme fonksiyonuyla kaydeder.

TITLE LIST

Başlık listesini görüntüler.

Bağlantı Şeması

Bağlantılar ile ilgili daha fazla bilgi için Yardım Kılavuzuna başvurun (sayfa 2).



1 AUDIO OUT *4

- Televizyonun sesini bağlı cihaz üzerinden dinlemek için **HOME** düğmesine basın. [Ayarlar] → [Ses] → [Kulaklık/Ses çıkış] öğesini, ardından da istediğiniz öğeyi seçin.

2 **USB 1/2**, **USB 3 (HDD REC)*5**

- Büyük bir USB cihazının bağlanması, yanındaki cihazlarla etkileşmesine yol açabilir.
- Büyük USB cihazlarını USB 1 yakına bağlayın.

3 **HDMI IN 1/2/3/4**

- Audio Return Channel (ARC) teknolojisi ile uyumlu bir dijital ses sistemi bağlarken HDMI IN 3 girişini kullanın. Aksi takdirde DIGITAL AUDIO OUT (OPTICAL) ile ilave bir bağlantı gerekir.

4 **AV 2**

- Bir kompozit bağlantı için ürünle verilen Analog Uzatma Kablosunu*5 kullanın.

5 **(RF girişi)**, **(Uydu girişi)**

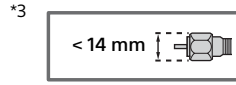
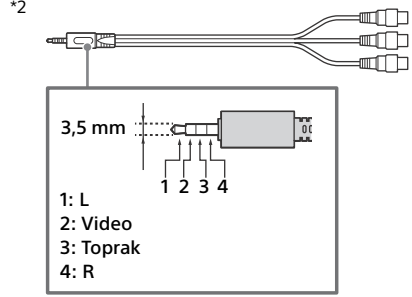
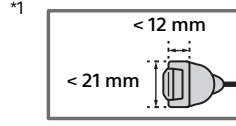
- Karasal/kablo yayını ve uydu için bağlantılar. Bağlantı adımları: MAIN → Anten → SUB.
- SUB. yakına, yalnızca, Tek Kablolu Dağıtım EN50494 hariç iki alıcı modu kullanırken bağlayın.

6 **AV 1**

- Bir SCART kablosuyla bağlayın. Bir analog dekoder bağladığınızda televizyon alıcısı dekodere şifreli sinyaller gönderir. Dekoder sinyallerin şifresini çözer ve çıkışa gönderir.

7 **CAM (Koşullu Erişim Modülü)**

- Ücretli televizyon hizmetlerine erişim sağlar. Ayrıntılar için, CAM ile birlikte verilen kullanım kılavuzuna bakın.
- Akıllı kartı doğrudan televizyonun CAM yuvasına takmayın. Bu, yetkili satıcınız tarafından sağlanan modüle takılmalıdır.
- CAM bazı ülkelerde/bölgelerde desteklenmez. Yetkili satıcınıza danışın.
- İnternet videosunu kullandıktan sonra bir dijital programa geçtiğinizde bir CAM mesajı görüntülenebilir.



*4 Yalnızca 3 kutuplu stereo mini jakı destekler.

*5 Sadece belirli bölgelerde/ülkelerde/televizyon modellerinde.

Televizyonu duvara monte etme

Bu televizyonun kullanım kılavuzu sadece televizyonu duvara monte etmeden önceki montaj adımlarını gösterir.

Müşterilere:

Ürün koruması ve güvenlik nedenleriyle, Sony televizyonunuzun montajının kesinlikle Sony bayileri veya lisanslı yüklenicileri tarafından yapılmasını önerir. Cihazı kendiniz monte etmeye çalışmayın.

Sony Bayilerine ve Yüklenicilerine:

Bu ürünün montajı, periyodik bakımı ve muayenesi sırasında emniyete çok dikkat edin.

Bu ürünü kurmak, özellikle de duvarın televizyonun ağırlığına dayanacak güçte olduğunu belirlemek için yeterli uzmanlık gereklidir. Bu ürünün duvara montajını mutlaka Sony bayilerine veya lisanslı yüklenicilerine yaptırın ve montaj sırasında emniyete gerekli dikkati gösterin. Yanlış taşımanın veya hatalı montajın neden olduğu hasar veya yaralanmalardan Sony sorumlu değildir.

Televizyonu duvara monte etmek için SU-WL450 Duvar Askı Aparatını (ürünle verilmez) (KD-65ZD9) kullanın.

Duvar Askı Aparatını monte ederken, Duvar Askı Aparatıyla birlikte verilen kullanım kılavuzuna ve montaj kılavuzuna da başvurun.

Not

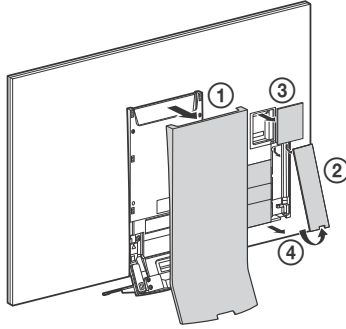
- Sökülen vidaları, çocuklardan uzakta ve güvenli bir yerde sakladığınızdan emin olun.



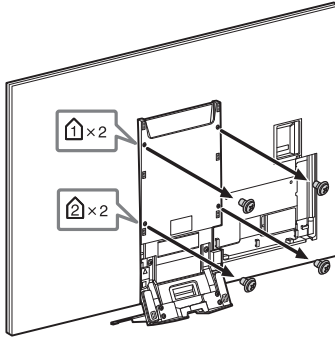
TV modelinize ait Duvar Askı Aparatının kurulumuna dair talimatlar için şu web sitesine başvurunuz:
www.sony.eu/tv/wall-mount-bracket-manual

Yalnızca KD-65ZD9

1 Yan, İç, Üst ve Orta Kapağı sökün.



2 Vidaları televizyonun arkasından sökün.



Yalnızca KD-75ZD9

Televizyonunuz ambalajından çıktığı haliyle bir Duvar Askı Aparatına (birlikte sağlanmaz) monte edilebilir.

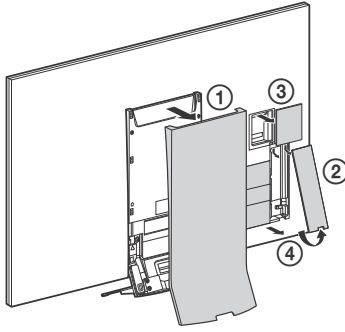
Kabloları bağlamadan önce televizyonu Duvar Askı Aparatı için hazırlayın.

Ürün koruması ve güvenlik nedenleriyle Sony, televizyonunuzun duvara montajının kesinlikle uzman profesyoneller tarafından yapılmasını önerir. Cihazı kendiniz monte etmeye çalışmayın.

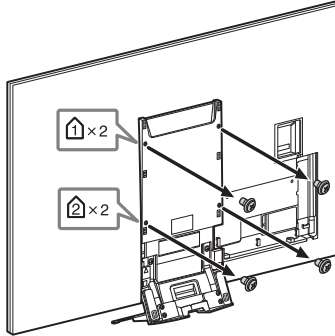
- Sizin modelinize ait Duvar Askı Aparatı ile birlikte verilen talimatlara uyun. Bu televizyonu kurmak, özellikle de duvarın televizyonun ağırlığına dayanacak güçte olduğunu belirlemek için uzmanlık gereklidir.
- Masa Üstü Sehpasını takmaya hazır olana kadar, kullanılmayan vidaları ve Masa Üstü Sehpasını güvenli bir yerde tutun. Vidaları küçük çocuklardan uzak tutun.

Yalnızca KD-75ZD9

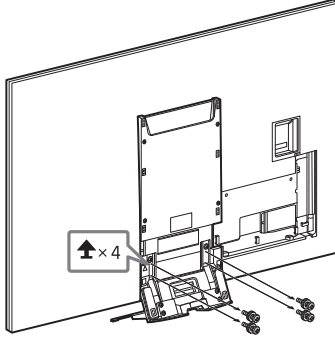
1 Yan, İç, Üst ve Orta Kapağı sökün.



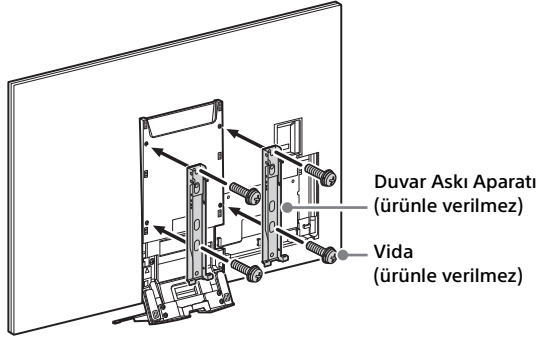
2 Vidaları televizyonunun arkasından sökün.



3 Masa Üstü Standı televizyondan ayırın.



4 Vidaları (ürünle verilmez) kullanarak Duvar Askı Aparatını (ürünle verilmez) tutturun.

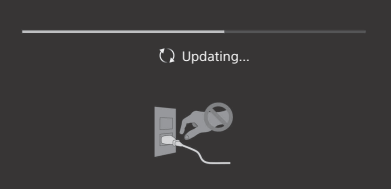


Not

- Elektrikli tornavida kullanıyorsanız torku yaklaşık 1,5 N·m {15 kgf·cm} olarak ayarlayın.

Sorun Giderme

Televizyonunuzun yazılımını güncel tutmak üzere, yazılımı güncellemek için dijital yayın sisteminden veya internette en yeni yazılım bilgisini indirmek gereklidir. Bir yazılım güncellemesini başlatmak için [Şimdi Güncelle] öğesini seçin. Yazılım güncellenirken aydınlatma LED'i beyaz renkte yanıp söner. Yazılım güncellenirken [Updating...] (Güncelleniyor...) ekranları görüntülenir.



Yazılım güncellemesi sırasında televizyonun fişini prizden çekmeyin. Aksi takdirde yazılım güncellemesi tamamlanamayabilir ve yazılım hatalı çalışabilir. Yazılım güncellemesi 30 dakikaya kadar sürebilir. Yazılımın otomatik olarak güncellenmesini istemiyorsanız, **HOME** tuşuna basın ve [Yardım] → [Sistem Yazılım Güncellemesi] → [Otomatik Yazılım İndirme] → [Kapalı] seçeneğini seçin.

Televizyonun fişini takıp tekrar çıkarttığınızda, televizyonun ilklendirilmesi için biraz zaman geçmesi gerektiği için, uzaktan kumandadaki veya televizyondaki güç düğmesine basmanız bile televizyon bir süre açılmayabilir. Yaklaşık bir dakika bekleyip tekrar çalıştırın. Uzaktan kumandadaki veya televizyondaki güç düğmesine basarak açtığınızda, aydınlatma LED'inin yanması ve uzaktan kumandanın çalışabilir olması biraz zaman alabilir.

Aydınlatma LED'i kırmızı renkte yanıp sönerken, kaç kez yanıp söndüğünü sayın (aralık üç saniyedir).


Aydınlatma LED'i kırmızı renkte yanıp sönmüyorsa, televizyonu sıfırlamak için elektrik fişini iki dakika süreyle ayırın ve ardından televizyonu açın. Sorun devam ederse, satıcınızla veya Sony servis merkeziyle temasa geçin ve aydınlatma LED'inin kırmızı renkte yanıp sönmeye sayısını da belirtin (yanıp sönmeye aralığı üç saniyedir). Elektrik fişini çıkartın ve satıcınızı veya Sony servis merkezini bilgilendirin.

Aydınlatma LED'i yanıp sönmüyorsa, aşağıdaki tablodaki öğeleri kontrol edin.

Yardım Kılavuzundaki sorun giderme bölümüne de başvurabilir veya [Yardım] → [Kendini Tanılama] öğesini seçerek kendini tanılama işlemini yürütülebilirsiniz. Sorun devam ederse, televizyonunuzu yetkili bir servis personeline gösterin.

Sorunlar ve Çözümleri

Görüntü yok (ekran siyah) ve ses yok.

- Anten/kablo bağlantılarını kontrol edin.
- Televizyonu AC güç kablosuna bağlayın ve televizyon veya uzaktan kumanda üzerindeki  düğmesine basın.

Bazı programlar ayarlanamıyor.

- Anten/kablo bağlantılarını kontrol edin.
- Uydu kablosu kısa devre olmuş veya kabloda bağlantı hatası olabilir. Kablo bağlantısını kontrol edin ve ardından televizyonu ana güç açma/kapatma düğmesinden kapatın ve tekrar açın.
- Girdiğiniz frekans aralığın dışındadır. Alınan uydu yayın şirketine danışın.

Kablolu televizyon hizmeti (programlar) bulunamadı.

- Kablo bağlantısını veya ayarlama yapılandırmasını kontrol edin.
- [Kablo] yerine [Karasal] seçeneğini seçerek [Dijital otomatik ayar] işlemini deneyin.

Uzaktan kumanda çalışmıyor.

- Pilleri değiştirin.

[Ebeveyn kilidi (yayın)] parolası unutulmuştur.

- PIN kodu olarak 9999 girin. PIN kodunu [Ayarlar] → [Ebeveyn kilidi (yayın)] → [PIN Kodunu değiştirin] seçeneğini belirleyerek güncelleyin.

Televizyonun çevresi ısınıyor.

- Televizyon uzun süre kullanıldığında, televizyonun çevresi ısınır. Buraya elle dokunduğunuzda sıcaklığı hissedebilirsiniz.

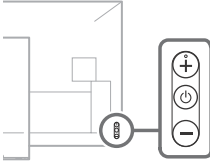
Ses veya görüntü donuyor, ekran boş veya televizyon uzaktan kumanda veya televizyon düğmelerinin komutlarına tepki vermiyor.

- AC güç kablosunu prizden ayırıp iki dakika sonra tekrar bağlayarak basit bir televizyon testi yapın.

⏻, +, ve - düğmeleri televizyonda bulunamıyor.

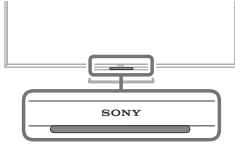
- Düğmelerin televizyondaki yeri için aşağıdaki çizime bakın.

Televizyonun arkası



Aydınlatma LED'i yanıyor.

- Aydınlatma LED'inin yanmasını istemiyorsanız, kapatabilirsiniz.
HOME düğmesine basın, ardından [Ayarlar] → [Aydınlatma LED'i] → [Kapalı].



WPS (Wi-Fi Protected Setup) ile bir kablosuz yönlendiriciye bağlanamıyor.

- WEP güvenliği kullanıyorsanız, [Kolay] → [Wi-Fi] → [Tarama listesi ile bağlan] öğesini seçin. Ardından, bağlanmak istediğiniz ağ adını (SSID) girin.

Ağ ayarında gerekli ağ adı bulunamıyor.

- [[Manuel Giriş]] seçeneğini seçin ve ağ adını girmek için ⊕ tuşuna basın.

Spesifikasyonlar

Sistem

Panel Sistemi

LCD (Sıvı Kristal Ekran) Panel, LED'li arkadan aydınlatma

Televizyon Sistemi

Ülkenize/alan seçiminize/televizyon modelinize bağlı olarak

Analog: B/G, D/K, L, I

Dijital: DVB-T/DVB-C

DVB-T2*

Uydu*: DVB-S/DVB-S2

Renk Sistemi

PAL, SECAM, NTSC3.58 (Sadece video), NTSC4.43 (Sadece video)

Kanal kapsamı

Ülkenize/alan seçiminize/televizyon modelinize bağlı olarak

Analog: UHF/VHF/Kablolu

Dijital: UHF/VHF/Kablolu

Uydu*: IF Frekans 950-2.150 MHz

Ses çıkışı

10 W + 10 W

Kablosuz teknolojsi

IEEE802.11ac/a/b/g/n protokolü (IEEE802.11ac ülkeye/bölgeye bağlı olarak bulunmayabilir.)

Bluetooth Sürümü 4.1

* DVB-T2 ya da DVB-S/S2 teknolojisi veya uydu anten terminali tüm televizyon setlerinde bulunmaz.

Giriş/Çıkış jackları

Anten/kablo

VHF/UHF için 75 ohm harici terminal

Uydu anteni

Dişi F tipi Konektör, 75 ohm.

DiSEqC 1.0, LNB 13 V/18 V ve 22 kHz ton, Tek Kablo Dağıtım EN50494.

AV 1

21-pinli scart konektörü (CENELEC standart), ses/video girişi, RGB girişi ve televizyon ses/video çıkışı da dahil.

AV 2

Video/Ses girişi (mini jak)

HDMI IN 1, 2, 3, 4 (4K çözünürlüğü destekler, HDCP 2.2-uyumlu)

Video (2D):

4096 × 2160p (50, 60 Hz)*¹, *², 4096 × 2160p (24 Hz)*¹, 3840 × 2160p (50, 60 Hz)*², 3840 × 2160p (24, 25, 30 Hz), 1080p (30, 50, 60 Hz), 1080/24p, 1080i (50, 60 Hz), 720p (30, 50, 60 Hz), 720/24p, 576p, 576i, 480p, 480i, PC Formatları

*¹ 4096 × 2160p girildiğinde 3840 × 2160p

görüntülenir

*² Sadece HDMI IN 2 / 3.

Video (3D) (Sadece 3D uyumlu modeller):

Kare Paketleme: 1080p (30Hz), 1080/24p, 1080i (50, 60Hz), 720p (30, 50, 60Hz), 720/24p

Yan Yana: 1080p (50, 60Hz), 1080/24p, 1080i (50, 60Hz), 720p (50, 60Hz)

Alt Alta: 1080p (30, 50, 60Hz), 1080/24p, 1080i (50, 60Hz), 720p (50, 60Hz)

Ses: 5,1 kanal doğrusal PCM: 32, 44,1, 48, 88,2, 96,

176,4 ve 192 kHz, 16, 20 ve 24 bit, Dolby Digital,

Dolby Digital Plus ve DTS

ARC (Audio Return Channel) (sadece HDMI IN 3)

(to-kanals lineær PCM, Dolby Digital, Dolby Digital Plus, DTS)

⊖ DIGITAL AUDIO OUT (OPTICAL)

Dijital optik jak (iki kanal doğrusal PCM, Dolby Digital, DTS)

AUDIO OUT ⊖ / ⊕ (Stereo Mini Ak)

Kulaklık, Ses Çıkışı, Subwoofer

• ← 1, • ← 2, SS ← 3 (HDD REC)*¹

USB cihaz portu (SS ← 3 Kayıt özelliği için 3 USB HDD cihazı)

1 ve 2 USB portu High Speed USB'yi (USB2.0) destekler.

3 USB portu Super Speed USB'yi (USB3.0) destekler.



CAM (Koşullu Erişim Modülü) yuvası

LAN

10BASE-T/100BASE-TX konektörü (Ağın çalışma ortamına bağlı olarak bağlantı hızı değişebilir. Bu TV için 10BASE-T/100BASE-TX iletişim hızı ve iletişim kalitesi garanti edilmemektedir.)

IR BLASTER *¹

IR Blaster Kablo girişi (mini jak)

Diğer

Opsiyonel aksesuarlar

Duvar Askı Aparatı: SU-WL450 (Yalnızca KD-65ZD9)

Kablosuz Subwoofer: SWF-BR100

Aktif 3D Gözlük: TDG-BT500A



Çalışma sıcaklığı

0 °C ila 40 °C

Çalışma nemi

%10 ila %80 bağıl nem (yoğuşmasız)

Güç, Ürün Fişi ve diğerleri

Güç gereksinimleri

Nominal: Giriş 220 V - 240 V AC, 50 Hz

Enerji Verimliliği Sınıfı

KD-75ZD9: B

KD-65ZD9: B

Ekran boyutu (diyagonal olarak ölçülen) (Yaklaşık)

KD-75ZD9: 189,3 cm / 75 inç

KD-65ZD9: 163,9 cm / 65 inç

Güç tüketimi

[Standart] modunda

KD-75ZD9: 259 W

KD-65ZD9: 210 W

[Canlı] modunda

KD-75ZD9: 453 W

KD-65ZD9: 347 W

Ortalama yıllık enerji tüketimi*²

KD-75ZD9: 359 kWh

KD-65ZD9: 291 kWh

Bekleme modunda güç tüketimi*^{3*4}

0,50 W (Yazılım/EPG güncelleme modunda 27 W)

Görüntü çözünürlüğü

3.840 nokta (yatay) × 2.160 satır (dikey)

Nominal çıkış

USB 1/2: 5 V, ---, 500 mA maks.

USB 3: 5 V, ---, 900 mA maks.

Boyutlar (Yaklaşık) (g × y × d)

Masa Üstü Sehпасı ile

KD-75ZD9: 168,4 × 104,7 × 27,8 cm

KD-65ZD9: 146,2 × 92,0 × 26,8 cm

Masa Üstü Sehпасı olmadan

KD-75ZD9: 168,4 × 97,3 × 7,8 cm

KD-65ZD9: 146,2 × 84,7 × 7,8 cm

Ağırlık (Yaklaşık)

Masa Üstü Sehpası ile

KD-75ZD9: 45,1 kg
KD-65ZD9: 35,7 kg

Masa Üstü Sehpası olmadan

KD-75ZD9: 41,3 kg
KD-65ZD9: 32 kg

*1 Sadece belirli bölgelerde/ülkelerde/televizyon modellerinde.

*2 Televizyonun 365 gün boyunca günde 4 saat çalıştırıldığındaki enerji tüketimi baz alındığında enerji tüketimidir. Gerçek enerji tüketimi televizyonun nasıl kullanıldığına bağlı olarak değişecektir.

*3 Belirtilen bekleme durumundaki güce, sadece televizyon gerekli dahil işlemleri tamamladıktan sonra ulaşılır.

*4 Televizyon ağa bağlandığında bekleme modundaki güç tüketimi artar.


Not

- CAM'de yerleştirilmiş bir akıllı kart takmanın dışında TV CAM (Koşullu Erişim Modülü) yuvasındaki göstermelik kartı çıkarmayın.
- Opsiyonel aksesuarlar ülkeye/bölgeye/televizyon modeline/stok durumuna göre bulunur.
- Tasarım ve özelliklerde bilgi vermesizden değişiklik yapılabilir.

Dijital TV fonksiyonu hakkında

- Dijital TV (DVB) ile ilgili her fonksiyon, sadece DVB-T/DVB-T2 (MPEG-2 ve H.264/MPEG-4 AVC) dijital yer sinyallerin yayınlandığı ülkelerde ve bölgelerde veya uyumlu bir DVB-C (MPEG-2 ve H.264/MPEG-4 AVC) kablolu yayın servisine erişiminizin olması durumunda çalışır. Oturduğunuz semtte bir DVB-T/DVB-T2 sinyalini alıp alamayacağınızı yerel satıcınıza veya sunduğu DVB-C kablolu yayın servisi eğer bu televizyon ile entegre kullanım için uygunsa, kablolu yayın sağlayıcınıza sorunuz.
- Kablolu yayın sağlayıcınız verdiği hizmet için bir ücret talep edebilir veya ticari şart ve koşullarına uymanız gerekebilir.
- Bu televizyon seti DVB-T/DVB-T2 ve DVB-C spesifikasyonlarına uymaktadır fakat gelecekteki DVB-T/DVB-T2 dijital yerden ve DVB-C dijital kablolu yayınlara uyumluluk garantisi edilemez.
- Bazı Dijital TV fonksiyonları bazı ülkelerde/alanlarda mevcut olmayabilir ve DVB-C kablosu bazı hizmet sağlayıcıları ile uygun şekilde çalışmayabilir.

Ticari markaya ilişkin bilgi

- HDMI ve HDMI High-Definition Multimedia Interface terimleri ve HDMI Logosu, HDMI Licensing LLC şirketinin Amerika Birleşik Devletleri'nde ve diğer ülkelerde ticari markaları veya tescilli ticari markalarıdır.
- Dolby Laboratories lisansı altında üretilmiştir. Dolby, Dolby Audio ve çift D sembolü, Dolby Laboratories'in ticari markalarıdır.
- "BRAVIA" VE BRAVIA Sony Corporation'un ticari markalarıdır.
- Gracenote, Gracenote eyeQ, Gracenote VideoID, Gracenote Video Expore, Gracenote logosu ve logo türü ve "Powered by Gracenote" logosu, Gracenote'un Amerika Birleşik Devletleri ve/veya diğer ülkelerde tescilli ticari markaları veya ticari markalarıdır.
- Opera® Devices SDK from Opera Software ASA. Copyright 1995-2015 Opera Software ASA. All rights reserved.
- Wi-Fi, Wi-Fi Direct, Miracast, Wi-Fi Protected Setup ve Wi-Fi CERTIFIED Logosu, Wi-Fi Alliance'in ticari markaları veya tescilli ticari markalarıdır.
- DTS patentleri için, <http://patents.dts.com> adresini ziyaret edin. DTS, Inc.'in lisansı altında üretilmiştir. DTS, Sembol, & DTS ve Sembol birlikte tescilli ticari markalardır ve DTS Digital Surround DTS, Inc.'in ticari markasıdır. © DTS, Inc. Tüm Hakları Saklıdır.
- QuickSet ve QuickSet logosu, Universal Electronics Inc. Portions şirketinin tescilli markalarıdır © UEI 2000-2015
- Bluetooth® kelime markası ve logoları Bluetooth SIG, Inc. şirketinin tescilli ticari markalarıdır ve bu tip markalar Sony Corporation tarafından lisansla kullanılmaktadır. Diğer ticari markalar ve ticari adlar ilgili sahiplerine aittir.
- DiSEqC™ EUTELSAT şirketinin bir ticari markasıdır. Bu televizyon DiSEqC 1.0'ı destekler. Bu televizyon motorlu antenleri kumanda etmek için tasarlanmamıştır.
- TUXERA, Tuxera Inc. şirketinin ABD ve diğer ülkelerdeki bir tescilli ticari markasıdır.
- USB-IF SuperSpeed USB Trident logosu, USB Implementers Forum, Inc. şirketinin bir tescilli ticari markasıdır. 

HDMI™
HIGH-DEFINITION MULTIMEDIA INTERFACE

DOLBY
AUDIO

 gracenote.

 **Bluetooth**®

 **dts**®
Digital Surround

 Opera

 **DiSEqC 1.0**



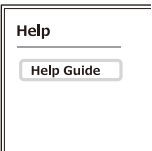
QUICKSET®

4K


Actual resolution: 3840 x 2160 pixels.
Résolution actuelle: 3840 x 2160 pixels.
Risoluzione effettiva: 3840 x 2160 pixel.
Resolução do ecrã: 3840 x 2160 pixels.
Resolución real: 3840 x 2160 píxeles.
πραγματική ανάλυση: 3840 x 2160 pixels.

TUXERA

YOUR DATA - WHERE YOU WANT IT

  → 

Help Guide/Guide d'aide/Guía de ayuda/
Helpgids/Hilfe/Guia de ajuda/Guida/Hjälpguide/
Hjælpevejledning/Käyttöopas/Hjelpeveiledning/
Przewodnik pomocniczy/Uživatelská příručka/
Príručka/Súgóútmutató/Ghid de asistență/
Πομοσνη ρ̑κοβοδστυο/Οδηγός βοήθειας/
Yardim Kilavuzu

 For useful information about Sony products
Pour obtenir les informations utiles concernant les produits Sony
Información de utilidad para productos Sony
Voor nuttige informatie over Sony producten
Für hilfreiche Informationen zu Sony Produkten
Para informação útil sobre os produtos Sony
Per informazioni utili sui prodotti Sony
For nyttig informasjon om Sony-produkter
For mere informasjon om Sony-produkter
Hyödyllistä tietoa Sony tuotteista
For nyttig informasjon om Sony produkter
Szczegółowe informacje o produktach Sony

Užitečné informace o výrobcích Sony
Pre viac informácií o produktoch Sony
Sony termékéről hasznos információkat találhat az alábbi weboldalon
Pentru informații utile despre produsele Sony
За полезна информация относно продуктите на Sony
Για χρήσιμες πληροφορίες σχετικά με τα προϊόντα SONY
Sony ürünleri için faydalı bilgiler

www.sony.eu/support

<http://www.sony.net/>



4587944111

© 2016 Sony Corporation

4-587-944-11(1)