

# ASSEMBLY INSTRUCTION

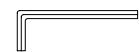
DE - MONTAGEANWEISUNG

FR - INSTRUCTIONS DE MONTAGE

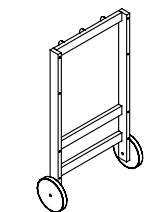
IT - ISTRUZIONI DI MONTAGGIO



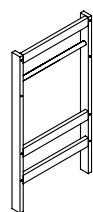
① (M6x80) x16



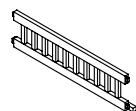
② (M4) x1



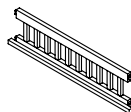
A x1



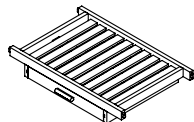
B x1



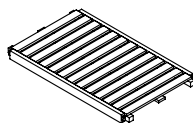
C x1



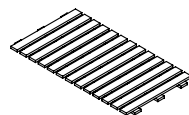
D x1



E x1

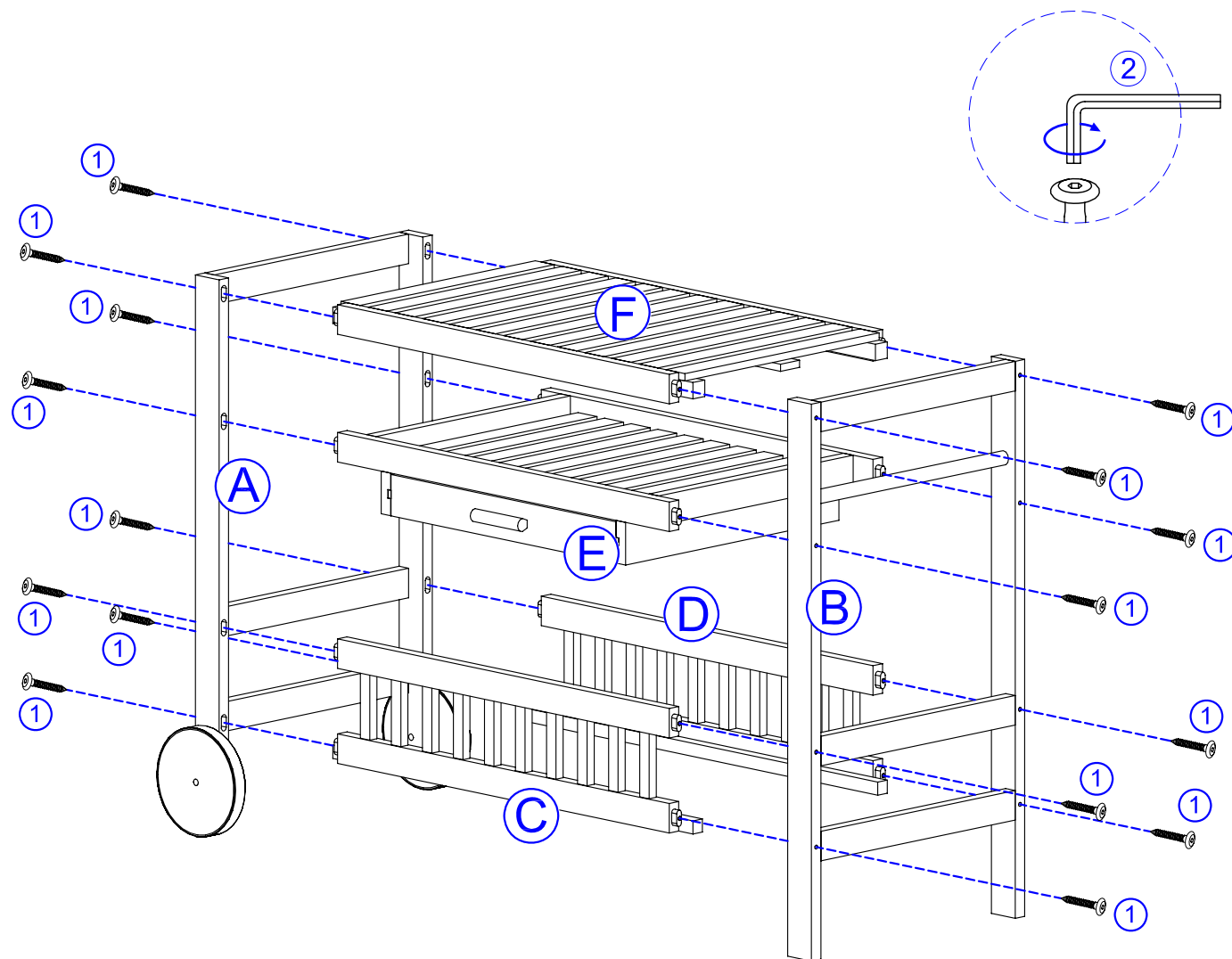


F x1

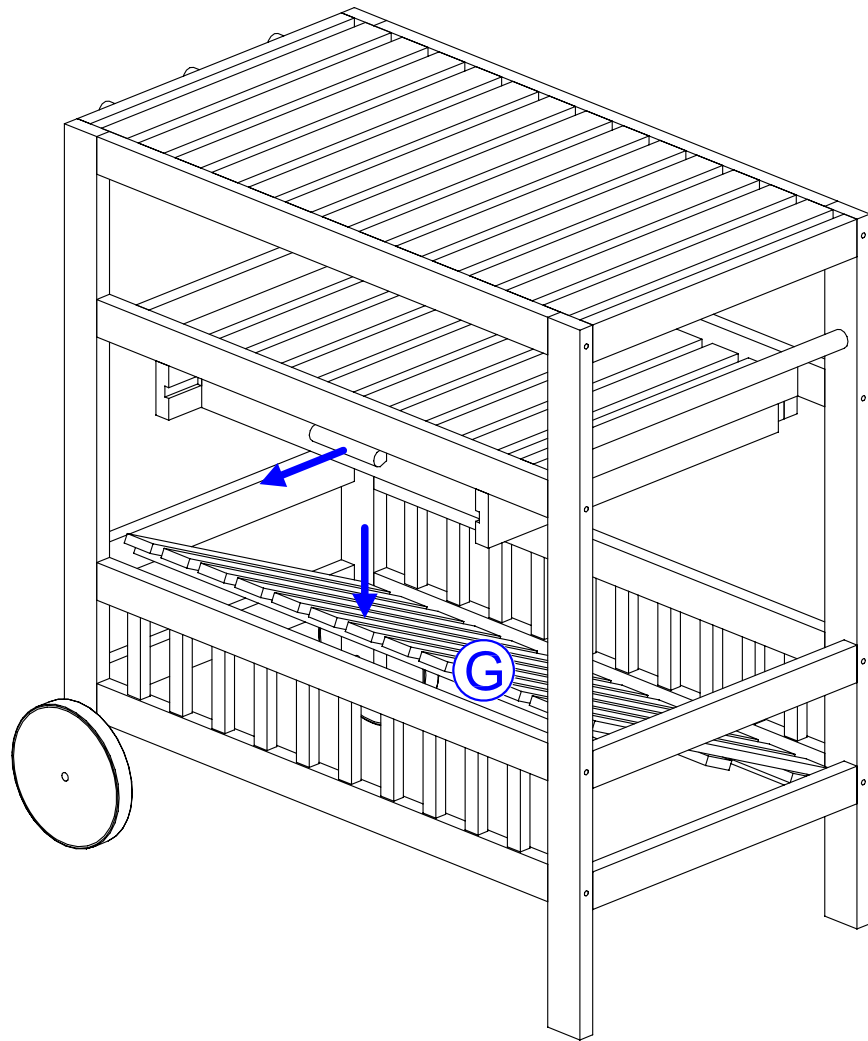


G x1

1/3



2/3



3/3

