

8.2. PARTS LIST

NOTE:

1. When ordering replacement part(s), please use part number(s) shown in this part list.

Do not use description of the part.

2. Important safety notice:

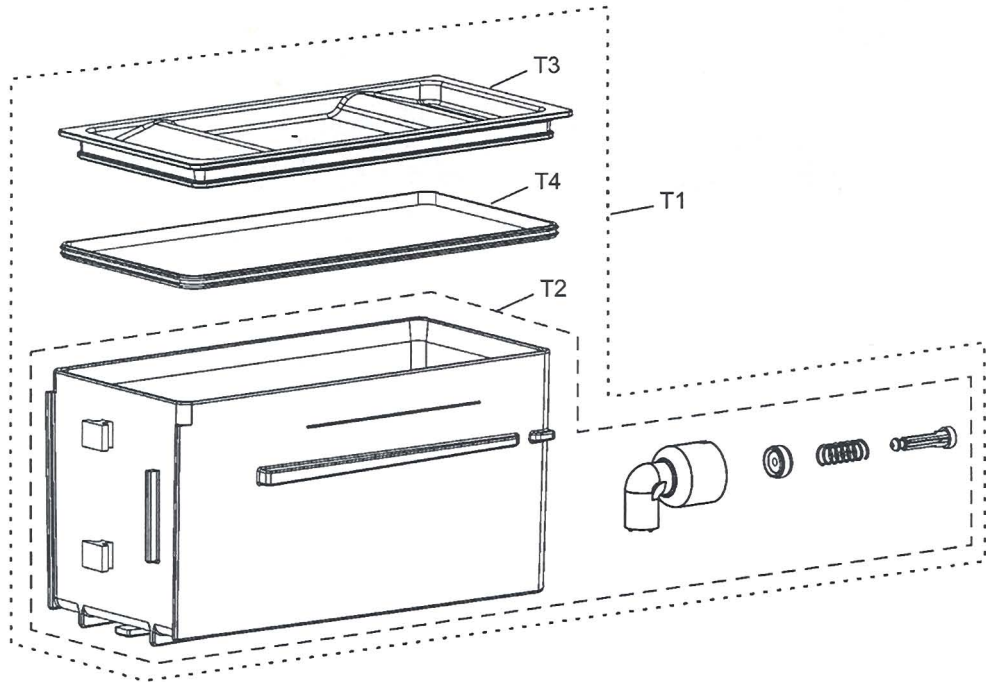
Components identified by Δ mark have special characteristics important for safety.

When replacing any of these components, use only manufacture's specified parts.

Ref. No.	Part No.	Part Name & Description	Pcs/Set	Remarks
1	Z00064080BP	CAUTION LABEL	1	BPQ
1	Z00069000EP	CAUTION LABEL	1	EPG,SPG,WPG
2	Z10016Y40XPG	BASE	1	
3	Z10087J60XP	RUBBER FOOT	2	
4	Z10084T00AP	RUBBER FOOT	1	
5	Z1008-1F90	RUBBER FOOT	1	
6	Z11556Y40SBP	CABINET BODY	1	
7	Δ Z200A6Y40BP	OVEN	1	
9	Δ Z2M261-M32J	MAGNETRON	1	
10	Z400A7J70MP	FAN MOTOR	1	
11	Z40085G10XN	FAN BLADE	1	
12	Z40256Y40BP	AIR GUIDE A	1	
13	Z40267J70XPG	AIR GUIDE B	1	
14	Z30977J70XP	SPRING	2	
15	Z31027J70XP	LATCH SWITCH LEVER	1	
16	Δ Z31037J70XP	DOOR HOOK	1	
17	Z31057J70XP	LATCH BRACKET	1	
18	Z32497J70XP	LATCH SWITCH LEVER	1	
19	Z612E6Y40BP	INCANDESCENT LAMP (U)	1	
20	Z60746Y40XPG	INCANDESCENT LAMP BRACKET	1	
21	Z64377J70XP	GLASS	1	
22	Z010T6Y40BP	CERAMIC PLATE (U)	1	EPG, SPG, WPG
22	Z010T6Y40BN	CERAMIC PLATE (U)	1	BPQ
23	Z202K6Y40BPG	ANTENNA STIRRER (U)	1	
24	Z61447J70XP	STIR MOTOR	1	
25	Z20197J70XP	ANTENNA BRACKET	3	
26	Δ Z61425U30XN	MICRO SWITCH	1	(V-15G-3C25) (PRIMARY LATCH SWITCH)
27	Δ Z61425180AP	MICRO SWITCH	1	(D3V-16G-3C25) (SECONDARY LATCH SWITCH)
28	Δ Z61785180AP	MICRO SWITCH	1	(D3V-1G-2C25) (SHORT SWITCH)
29	Z603Y6Y40XP	D.P.CIRCUIT (DU)	1	
30	Δ Z62304210BP	FUSE	1	10A/250V
31	Z692Y6Y40BP	NOISE FILTER (U)	1	
32	Z45006Y40XP	JACKET	1	
33	Δ Z900C6Y40BP	AC CORD W/PLUG	1	BPQ
33	Δ Z900C6Y40EP	AC CORD W/PLUG	1	EPG,SPG
33	Δ Z900C6Y40WP	AC CORD W/PLUG	1	WPG
34	Z20347J70XPG	INVERTER BRACKET A	1	
35	Z2036-1K00	INVERTER BRACKET B	1	
36	Δ Z606Y6Y40BP	H.V.INVERTER (U)	1	
37	Z80236Y40BP	DECORATING PLATE (COLLECTOR PAN)	1	098.334
38	Z6585-1K00	INVERTER BRACKET A	1	
39	Z67637J70XP	INVERTER BRACKET B	1	
40	Z630G6Y40BP	HEATER	2	BPQ,EPG
40	Z630G6Y40SP	HEATER	2	SPG,WPG (450W/115V)
41	Z630G6Y40BP	HEATER	1	BPQ,EPG
41	Z630F6Y40SP	HEATER	1	SPG,WPG (450W/230V)
43	Z611E6Y40BP	HEATER (DU)	1	BPQ
43	Z611E6Y40EP	HEATER (DU)	1	EPG,SPG,WPG
44	Z61457J70XP	THERMAL CUTOUT	2	
45	Z66266Y40XPG	THERMAL CUTOOUT BRACKET	1	
46	Z01505R00BP	NO TOUCHING LABEL	1	BPQ
48	Z01508G60HP	NO TOUCHING LABEL	1	EPG,SPG,WPG
49	Z22377J70XPG	LEFT HEATER PANEL	1	
50	Z22367J70XPG	RIGHT HEATER PANEL	1	
51	Z300B7J70XP	LEFT HINGE (U)	1	
52	Z300U7J70XP	RIGHT HINGE (U)	1	
55	Z44966Y40XP	NOZZLE A	1	
56	Z45137J70XP	TIE-IN C	1	
57	Z92017J70XP	COPPER PIPE	1	
58	Z46507J70XP	TUBE C	1	
59	Z92047J70XP	TUBE D	1	

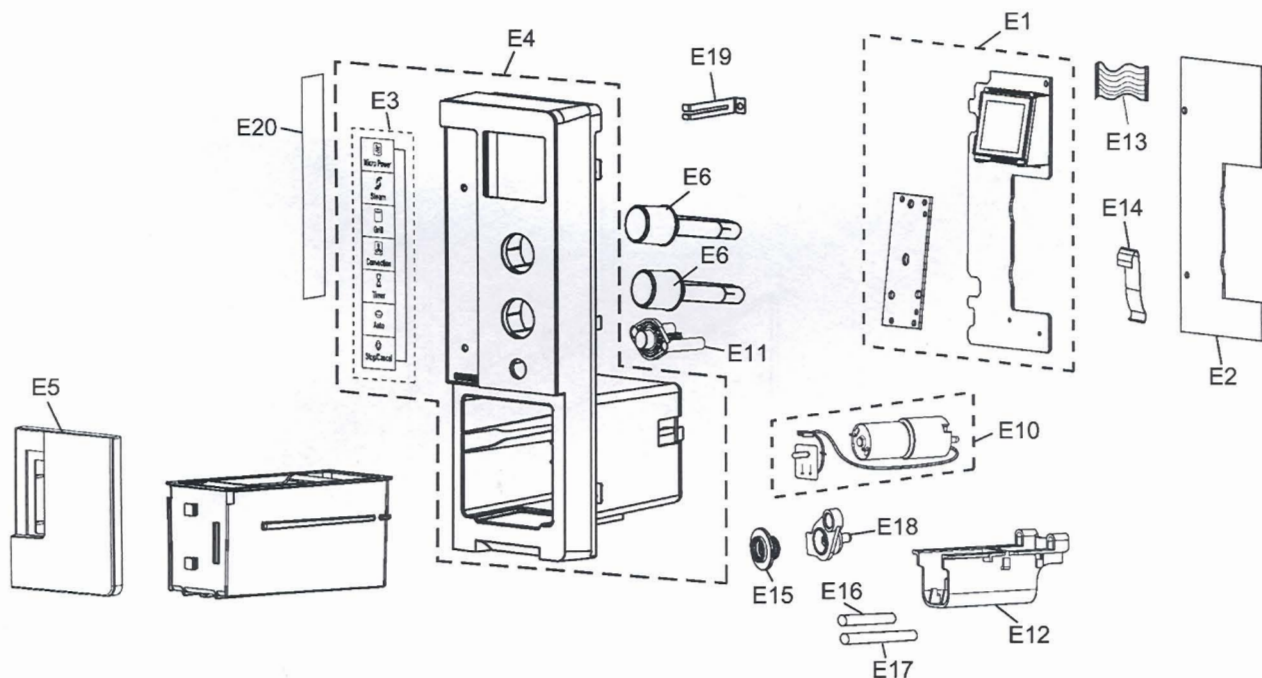
Ref. No.	Part No.	Part Name & Description	Pcs/Set	Remarks
60	Z03346Y40BP	MENU LABEL	1	BPQ
61	Z90717J70XP	SUPPORT	1	
62	ZTWFA4+12T	SCREW	4	FOR MAGNETRON
63	ZTWFA4+12D	SCREW	4	FOR CABINET BODY
65	Z202Q6Y40BP	UPPER HEATER PANEL	1	
66	Z15676Y40XP	DRIP PLATE	1	
67	Z22776Y40XP	LOWER HEATER PANEL	1	
68	Z10596Y40EP	BACK COVER	1	
69	Z10586Y40BP	SIDE COVER	1	
70	Z10576Y40XP	BACK COVER C	1	
71	Z40306Y40BP	EXHAUST GUIDE D	1	
72	Z41706Y40BP	HEATER MOUNTING PLATE	1	
74	Z22394V00BP	CONVECTION FAN BLADE	1	
75	Z41594V00BP	COOLING FAN BLADE	1	
79	Z41806Y40BP	CONVECTION FAN BRACKET	1	
80	Z490S6Y40XP	CONVECTION FAN MOTOR	1	
81	Z631D6Y40BP	CONVECTION HEATER	1	BPQ
81	Z631D6Y40EP	CONVECTION HEATER	1	EPG,SPG,WPG
82	Z64174V00BP	HEATER BRACKET A	1	
83	Z66796Y40BP	CONVECTION INSIDE COVER A	1	
85	Z607J6Y40BN	CONVECTION ASSEMBLY(BU)	1	(INCLUDING IN CONVECTION OUTSIDE COVER B & ADIABATIC MATERIAL)
86	Z67356Y40XP	HEATER PROTECTOR	1	
89	Z40276Y40BP	INVERTER AIR GUIDE	1	
90	Z50586Y40XP	BRACKET	1	
91	Z50596Y40XP	COVER	1	
92	Z60586Y40BP	CIRCUIT BREAKER	1	
93	Z03586Y40BP	CIRCUIT BREAKER HARNESS	1	
94	Z66286Y40BN	THERMAL CUTOUT BRACKET	1	
96	△ Z6331-1T50	FUSE	1	15A/250V
97	Z04906Y40EP	ENERGY LABEL	1	EPG
98	Z15607J70ZP	ALUMINUM PLATE	1	
103	Z11656Y40KT	REINFORCE BRACKET E	1	
104	Z67576Y40BP	HEATER BRACKET D	2	

8.3. WATER TANK ASSEMBLY



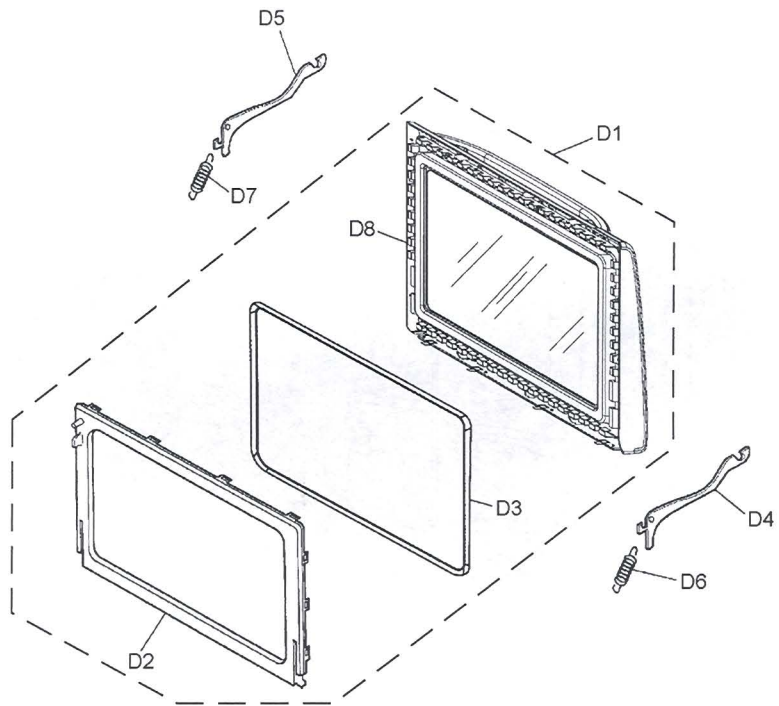
Ref. No.	Part No.	Part Name & Description	Pcs/Set	Remarks
T1	Z060Q6Y40XP	WATER TANK (U)	1	(INCLUDING TANK COVER & SEAL)
T2	Z061A6Y40XP	WATER TANK	1	
T3	Z06116Y40XP	TANK COVER	1	
T4	Z44247J70XP	SEAL	1	

8.4. ESCUTCHEON BASE ASSEMBLY



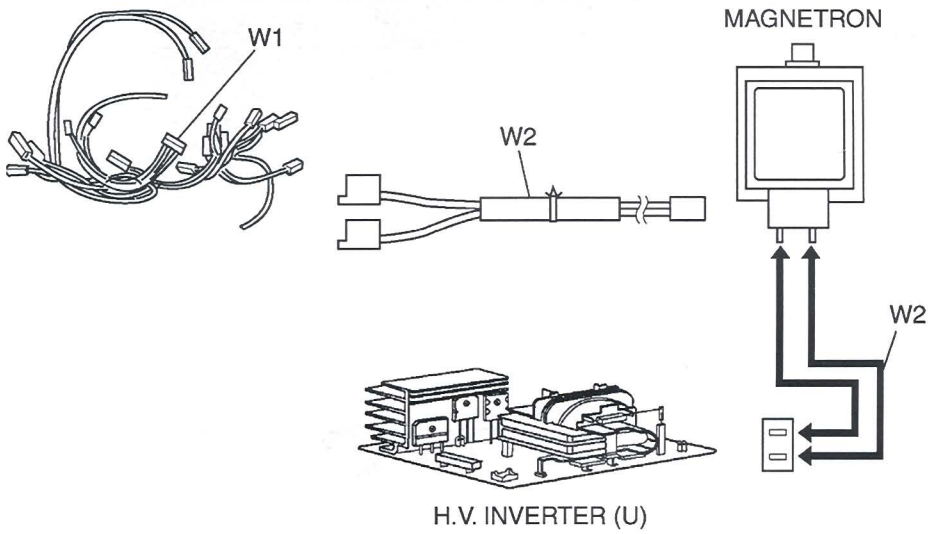
Ref. No.	Part No.	Part Name & Description	Pcs/Set	Remarks
E1	Z603L6Y40BP	D.P.CIRCUIT (AU)	1	BPQ
E1	Z603L6Y40EP	D.P.CIRCUIT (AU)	1	EPG
E1	Z603L6Y40SP	D.P.CIRCUIT (AU)	1	SPG,WPG
E2	Z605S6Y40BP	D.P.CIRCUIT (HU)	1	BPQ,EPG
E2	Z605S6Y40SP	D.P.CIRCUIT (HU)	1	SPG,WPG
E3	Z630Y6Y40SBP	MEMBRANE SWITCH (U)	1	
E4	Z800A6Y40SBP	ESCUTCHEON BASE (U)	1	BPQ (INCLUDING MEMBRANE SWITCH (U))
E4	Z800A6Y40SEP	ESCUTCHEON BASE (U)	1	EPG,SPG,WPG (INCLUDING MEMBRANE SWITCH (U))
E5	Z800B6Y40SBP	ESCUTCHEON BASE (BU)	1	
E6	Z803G6Y40SBP	POP-UP DIAL (U)	2	
E10	Z400L6Y40XP	PUMP-LED (U)	1	(INCLUDING PUMP & LED PCB)
E11	Z83876Y40BP	BUTTON	1	
E12	Z06397J70XP	PUMP BRACKET	1	
E13	Z66166Y40BP	FLAT CABLE	1	(WIDE ONE)
E14	Z66166Y40XP	FLAT CABLE	1	(NARROW ONE)
E15	Z44266Y40BP	SEAL B	1	
E16	Z46487J70XP	TUBE A	1	
E17	Z46497J70XP	TUBE B	1	
E18	Z45126Y40BP	TIE-IN B	1	
E19	Z80876Y40BP	GROUNDING PANEL	1	
E20	Z00076Y40BP	NAME PLATE	1	BPQ
E20	Z00076Y40EP	NAME PLATE	1	EPG
E20	Z00076Y40SP	NAME PLATE	1	SPG
E20	Z00076Y40WP	NAME PLATE	1	WPG

8.5. DOOR ASSEMBLY



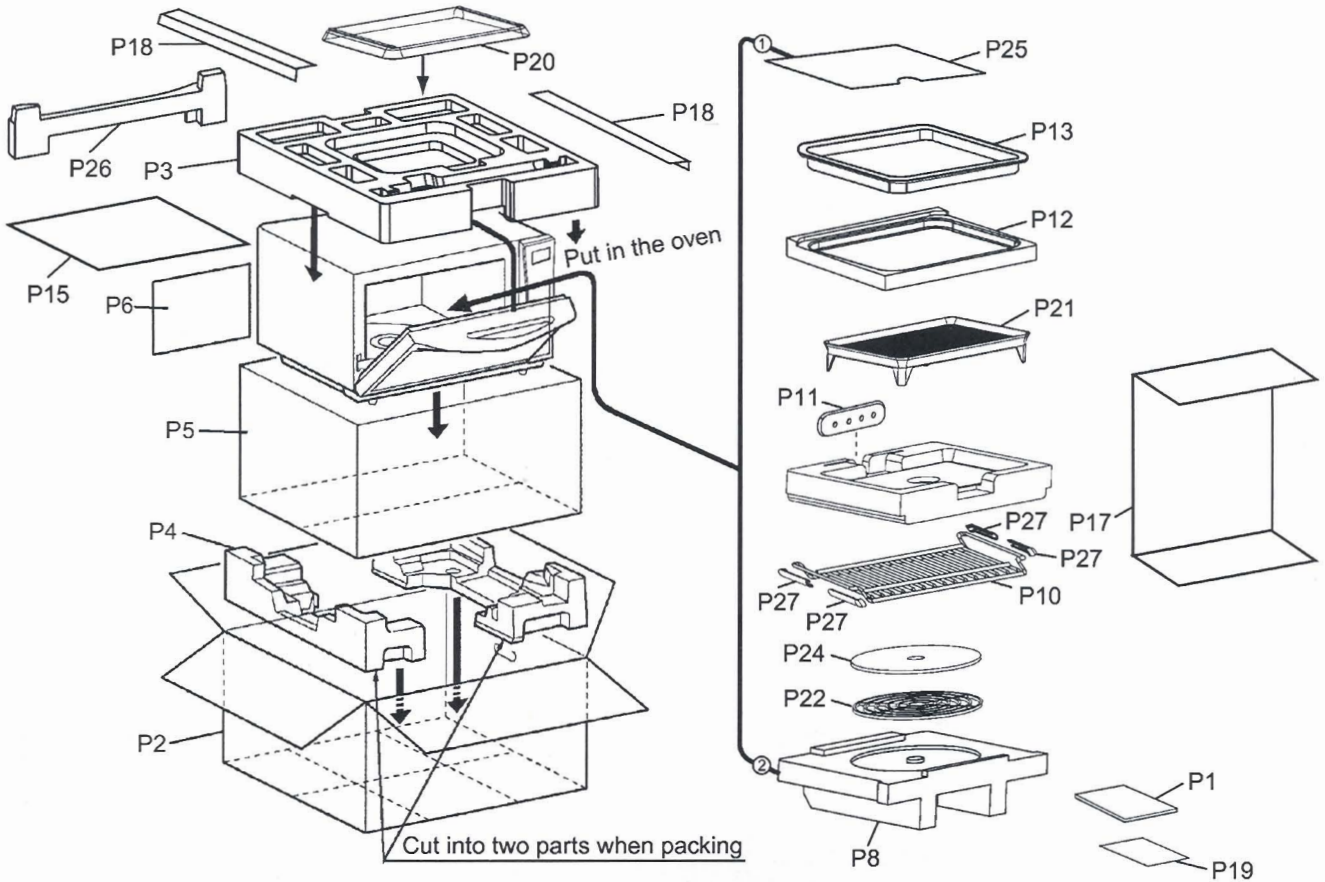
Ref. No.		Part No.	Part Name & Description	Pcs/Set	Remarks
D1	△	Z390L6Y40SBP	DOOR (U)	1	BPQ (INCLUDING DOOR C & SEAL)
D1	△	Z390L6Y40SEP	DOOR (U)	1	EPG,SPG,WPG (INCLUDING DOOR C & SEAL)
D2	△	Z30856Y40XP	DOOR C	1	
D3		Z3334-1K00	SEAL	1	
D4		Z30546Y40BP	DOOR ARM (LEFT)	1	
D5		Z30446Y40BP	DOOR ARM (RIGHT)	1	
D6		Z32316Y40BP	DOOR KEY SPRING A	1	
D7		Z32306Y40BP	DOOR KEY SPRING B	1	
D8	△	Z302A6Y40SBP	DOOR B (U)	1	BPQ
D8	△	Z302A6Y40SEP	DOOR B (U)	1	EPG,SPG,WPG

8.6. WIRING MATERIALS



Ref. No.		Part No.	Part Name & Description	Pcs/Set	Remarks
W1		Z030A6Y40BP	LEAD WIRE HARNESS	1	BPQ,EPG
W1		Z030A6Y40SP	LEAD WIRE HARNESS	1	SPG,WPG
W2		Z030E-1K00	H.V.LEAD WIRE	1	

8.7. PACKING AND ACCESSORIES



Ref. No.	Part No.	Part Name & Description	Pcs/Set	Remarks
P1	Z00036Y40BP	INSTRUCTION MANUAL	1	BPQ
P1	Z00036Y40EP	INSTRUCTION MANUAL	1	EPG
P1	Z00036Y40SP	INSTRUCTION MANUAL	1	SPG
P1	Z00036Y40WP	INSTRUCTION MANUAL	1	WPG
P2	Z01026Y40BP	PACKING CASE, PAPER	1	BPQ
P2	Z01026Y40EP	PACKING CASE, PAPER	1	EPG, SPG, WPG
P3	Z01046Y40BP	UPPER FILLER	1	
P4	Z01056Y40BP	LOWER FILLER	1	
P5	Z01066Y40XP	P. E BAG	1	
P6	Z01078100XN	DOOR SHEET	1	
P8	Z01146Y40BP	FOAM	1	
P9	Z01136Y40BP	FOAM	1	
P10	Z06026940BP	OVEN RACK	1	
P11	Z60037J70XP	CERAMIC COVER	1	
P12	Z01126Y40BP	FOAM	1	
P13	Z06037J70XP	CRISPY PAN	1	
P15	Z01926Y40XP	SHEET	1	
P17	Z01096Y40XP	SHEET	1	
P18	Z01896Y40XP	PROTECT CORNER	2	
P19	Z02246Y40BP	NOTICE	1	
P20	Z07496Y40BP	ENAMEL SHELF	1	
P21	Z06786Y40BP	PLASTIC TRIVET	1	098.335
P22	Z07096Y40BP	ANTI SPARK RING	1	
P24	Z01086Y40BP	TRAY PACKING A	1	
P25	Z01177J70XP	TRAY PACKING B	1	
P26	Z01466Y40EP	FRONT FILLER	1	EPG
P27	Z06436Y40BP	OVEN RACK PROTECTOR	4	