

# WORX®



**LANDROID®** (L)  
**UNMANNED**  
**MOWING**  
**VEHICLE**

<b>Lawn Mowing Robot</b>	<b>EN</b>	<b>P02</b>
<b>Roboter-Rasenmäher</b>	<b>D</b>	<b>P16</b>
<b>Robot de fauchage à pelouse</b>	<b>F</b>	<b>P30</b>
<b>Robot tosaerba</b>	<b>I</b>	<b>P44</b>

## WG797E

# ORIGINAL INSTRUCTIONS

## TABLE OF CONTENTS

<b>1. Safety Instructions</b>	<b>3</b>
1.1 General & additional safety instruction	3
1.2 Information on the Landroid®L	5
<b>2. Component list</b>	<b>6</b>
<b>3. Understanding Your Landroid®L</b>	<b>8</b>
3.1 How does my Landroid®L know what to mow?	8
3.2 How does my Landroid®L know where to go?	9
A. Finding the Charging Base	9
B. Rain sensors	9
C. Sensing the boundary wire	9
D. Starting and stopping while mowing	9
3.3 How big of an area can my Landroid®L mow?	10
3.4 How efficiently will my Landroid®L mow the grass?	10
<b>4. Smart phone control</b>	<b>11</b>
<b>5. Boundary Wire Basics</b>	<b>11</b>
5.1 Pegging the Boundary Wire	11
5.2 Burying the Boundary Wire	11
5.3 Joining the Boundary Wire	11
5.4 Turn on and test installation	11
<b>6. Software update</b>	<b>12</b>
<b>7. Maintenance</b>	<b>12</b>
7.1 Keep it sharp	12
A. Rotate and flip the blades	13
B. Replace the blades	13
7.2 Keep it clean	13
A. Cleaning the body	13
B. Cleaning the Underside	13
C. Clean the contact pins and the charging strips	13
7.3 Battery life	14
7.4 Winter hibernation	14
7.5 Replacing the battery	14

# 1. Safety Instructions

## 1.1 General & additional safety instruction



**WARNING: Read all safety warnings and all instructions.** Failure to follow the warnings and instructions may result in electric shock, fire and/or serious injury.

**Carefully read the instructions for the safe operation of the machine.**

**Save all warnings and instructions for future reference.**

- This appliance is not intended for use by persons (including children) with reduced physical, sensory or mental capabilities, or lack of experience and knowledge, unless they have been given supervision or instruction concerning use of the appliance by a person responsible for their safety.
- Children should be supervised to ensure that they do not play with the appliance.
- The appliance is only to be used with the power supply unit provided with the appliance.

### **IMPORTANT**

**READ CAREFULLY BEFORE USE**

**KEEP FOR FUTURE REFERENCE**

### **SAFE OPERATION PRACTICES**

#### **Training**

- a) Read the instructions carefully. Make sure you understand the instructions and be familiar with the controls and the proper use of the appliance;
- b) Never allow people unfamiliar with these instructions or children to use the appliance. Local regulations can restrict the age of the operator;
- c) The operator or user is responsible for accidents or hazards occurring to other people or their property.

#### **Preparation**

- a) Ensure the correct installation of the boundary wire as instructed.
- b) Periodically inspect the area where the appliance is to be used and remove all stones, sticks, wires, bones, and other foreign objects.
- c) Periodically visually inspect to see that the blades, blade bolts and cutter assembly are not worn or damaged. Replace worn or damaged blades and bolts in sets to preserve balance.
- d) On multi-spindle appliances, take care as rotating one blade can cause other blades to rotate.
- e) **WARNING!** The lawnmower shall not be operated without the guard in place.

### **OPERATION**

#### **1. GENERAL**

- a) Never operate the appliance with defective guards, or without safety devices, for example deflectors, in place;
- b) Do not put hands or feet near or under rotating parts. Keep clear of the discharge opening at all times;
- c) Never pick up or carry an appliance while the motor is running;
- d) Operate the disabling device from the appliance
  - Before clearing a blockage;
  - Before checking, cleaning or working on the appliance;
- e) It is not permitted to modify the original design of robotic lawnmower. All modifications are made at your own risk.
- f) Start robotic lawnmower according to the instructions. When the power key is switched on, make sure you keep your hands and feet away from the rotating blades. Never put your hands and feet under the mower.
- g) Never lift up robotic lawnmower or carry it when the power key is switched on.
- h) Do not let persons who do not know how robotic lawnmower works and behaves use the mower.
- i) Do not put anything on top of robotic lawnmower or its charging station.
- j) Do not allow robotic lawnmower to be used with a defective blade disc or body. Neither should it be used with defective blades, screws, nuts or cables.
- k) Always switch off robotic lawnmower when you do not intend to use the mower. Robotic lawnmower can only start when the power key is switched on and the correct PIN code has been entered.

#### **2. ADDITIONALLY WHEN THE APPLIANCE IS OPERATING AUTOMATICALLY**

- a) Do not leave the machine to operate unattended if you know that there are pets, children or people in the vicinity.

### **MAINTENANCE AND STORAGE**



**WARNING! When turning the mower upside down, the power key must always be switched off.**

**The power key should be switched off during all work on the mower's underframe, such as cleaning or replacing the blades.**

- a) Keep all nuts, bolts and screws tight to be sure the appliance is in safe working condition;
- b) Inspect the robotic lawnmower each week and replace worn or damaged parts for safety;

- c) Check especially that the blades and blade disc are not damaged. Replace all blades and screws at the same time if necessary so that the rotating parts are balanced.
- d) Ensure that only replacement cutting means of the right type are used;
- e) Ensure that batteries are charged using the correct charger recommended by the manufacturer. Incorrect use may result in electric shock, overheating or leakage of corrosive liquid from the battery;
- f) In the event of leakage of electrolyte flush with water/neutralizing agent, seek medical help if it comes into contact with the eyes etc;
- g) Servicing of the appliance should be according to manufacturers instructions.

### Transport

The original packaging should be used when transporting robotic lawnmower over long distances.

To safely move from or within the working area:

- a) Press the STOP button to stop the mower.
- b) You select the four digit PIN code when you start the mower for the first time.
- c) Always switch off robotic lawnmower if you intend to carry the mower.
- d) Carry the mower by the handle at the rear under the mower. Carry the mower with the blade disc away from the body.



### Safety warnings for battery pack

- a) Do not dismantle, open or shred cells or battery pack.**
- b) Do not short-circuit a battery pack. Do not store battery packs haphazardly in a box or drawer where they may short-circuit each other or be short-circuited by conductive materials.** When battery pack is not in use, keep it away from other metal objects, like paper clips, coins, keys, nails, screws or other small metal objects, that can make a connection from one terminal to another. Shorting the battery terminals together may cause burns or a fire.
- c) Do not expose battery pack to heat or fire. Avoid storage in direct sunlight.**
- d) Do not subject battery pack to mechanical shock.**
- e) In the event of battery leaking, do not allow the liquid to come into contact with the skin or eyes. If contact has been made, wash the affected area with copious amounts of water and seek medical advice.**
- f) Seek medical advice immediately if a cell or battery pack has been swallowed.**
- g) Keep battery pack clean and dry.**
- h) Battery pack gives its best performance when it is operated at normal room temperature (20°C ± 5°C).**
- i) When disposing of battery packs, keep battery packs of different electrochemical systems separate from each other.**
- j) Recharge only with the charger specified by WORX. Do not use any charger other than that specifically provided for use with the equipment.** A charger that is suitable for one type of battery pack may create a risk of fire when used with another battery pack.
- k) Do not use any battery pack which is not designed for use with the equipment.**
- l) Keep battery pack out of the reach of children.**
- m) Retain the original product literature for future reference.**
- n) Dispose of properly.**

## 1.2 Information on the Landroid® L



WARNING - Robotic lawnmower can be dangerous if incorrectly used.

Read through the Operator's manual carefully and understand the content before using your robotic lawnmower.



WARNING - Keep a safe distance from the machine when operating.



WARNING - Operate the disabling device before working on or lifting the machine.



WARNING - Do not ride on the machine.



Do not burn



Batteries may enter water cycle if disposed improperly, which can be hazardous for ecosystem. Do not dispose of waste batteries as unsorted municipal waste.



Li-Ion

Batteries should be recycled. Do not dispose of batteries, Return exhausted batteries to your local collection or recycling point.



Li-Ion

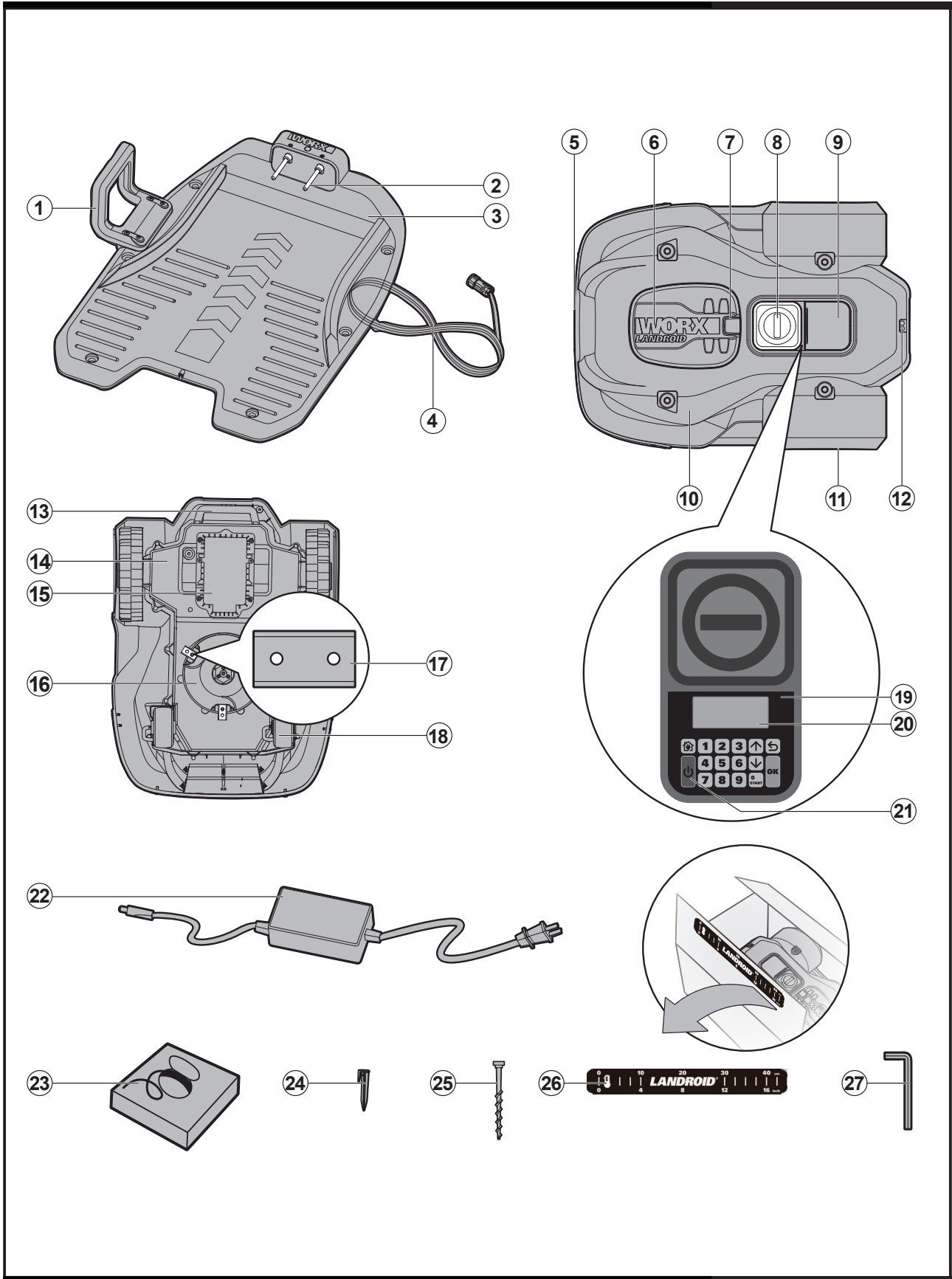


Do not wash the machine with a high pressure washer



Waste electrical products must not be disposed of with household waste. Please recycle where facilities exist. Check with your local authorities or retailer for recycling advice.

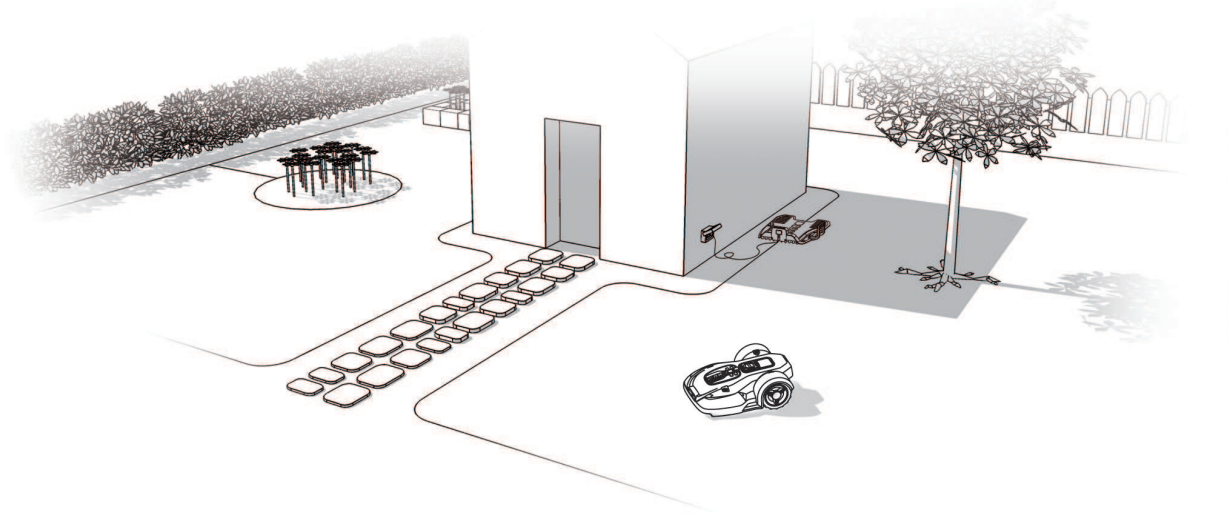
## 2. Component list



- 
- 1. HANDLE BAR**
  - 2. CONTACT PINS**
  - 3. CHARGING BASE**
  - 4. LOW VOLTAGE CABLE**
  - 5. CHARGING STRIP**
  - 6. GRASS CUTTING HEIGHT ADJUSTMENT COVER**
  - 7. ACCESS POINT - TO OPEN HEIGHT ADJUSTMENT COVER.**
  - 8. STOP BUTTON**
  - 9. KEYPAD WINDOW**
  - 10. LANDROID DECK**
  - 11. REAR DRIVING WHEEL**
  - 12. RAIN SENSOR**
  - 13. HANDLE**
  - 14. MAIN HOUSING - CONTAINS MOTOR, ELECTRONICS AND BATTERY.**
  - 15. BATTERY PACK**
  - 16. BLADE TURNING DISC**
  - 17. CUTTING BLADES**
  - 18. FRONT WHEEL**
  - 19. KEYPAD**
  - 20. DISPLAY**
  - 21. ON/OFF KEY**
  - 22. POWER ADAPTOR**
  - 23. BOUNDARY WIRE**
  - 24. WIRE PEGS**
  - 25. CHARGING BASE FIXING NAILS**
  - 26. BOUNDARY WIRE DISTANCE GAUGE**
  - 27. HEX KEY**
-

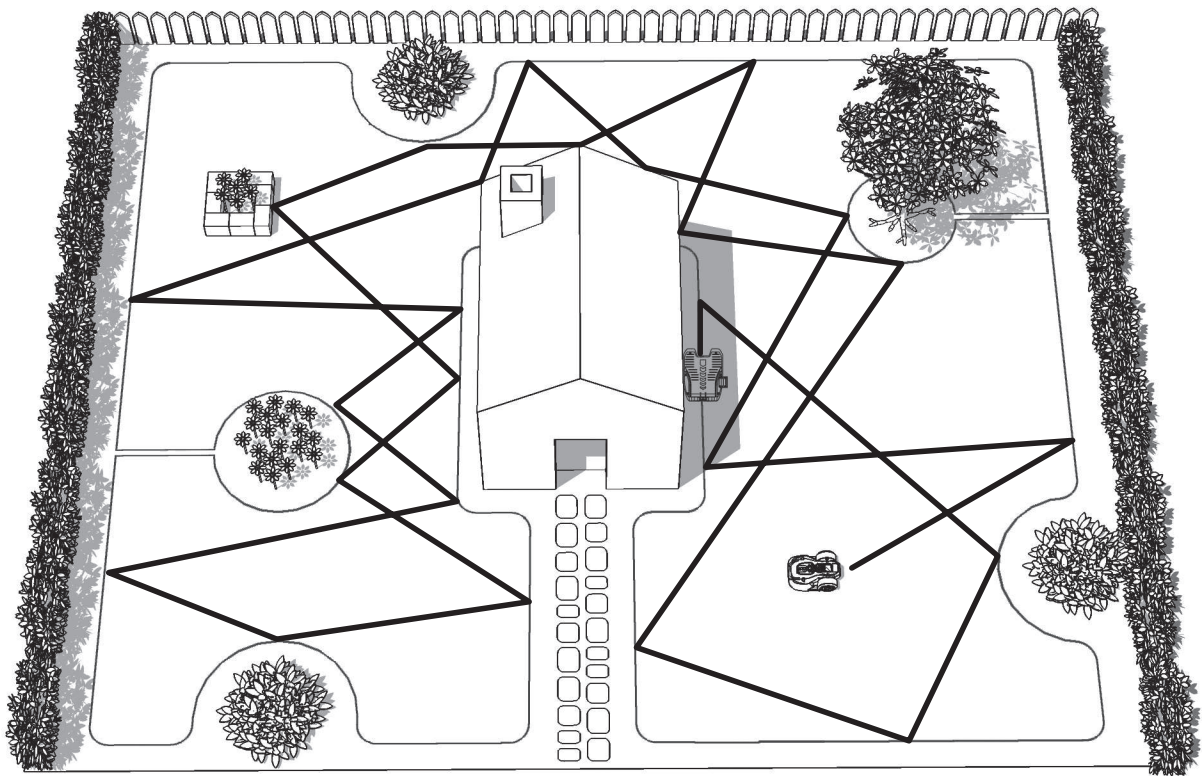
### 3. Understanding Your Landroid® L

We would like to congratulate you on your new purchase of the Landroid® L and entering into the care-free life of automatic mowing. In the following, we would like to help you better understand how your Landroid® L thinks.



#### 3.1 How does my Landroid® L know what to mow?

The Landroid® L chooses its direction at random. It will make sure your entire lawn is evenly mowed without leaving behind any unattractive mowing paths (See Fig. A).



**A**



## 3.2 How does my Landroid®L know where to go?

Your Landroid®L is capable of doing things on its own. The Landroid®L knows when it needs to go to its Charging Base (3) to charge, can sense when it is raining, can stop itself if it senses a problem, and knows to stop, drawback, and then turn around when it bumps into something blocking its path or other object. The Landroid®L will also automatically stop its Blade Turning Disc (16) from rotating if it is lifted off the ground to prevent an accident.

### A. Finding the Charging Base

When your Landroid®L needs to recharge, it will stop mowing and follow the Boundary Wire (23) in an anti-clockwise direction back to its Charging Base. Landroid®L is pre-programmed to mow the grass near the boundary wire once a week.

If you want to mow the grass near the boundary wire at other time, open the keypad window, press the home button and close the keypad window. Landroid®L will stop mowing, locate the boundary wire and mow the grass near the boundary wire while it locates the charging station. So if you want to mow the grass near the boundary wire, just press the home button and close the keypad window. We suggest you use this function when the battery power is more than 75%. You can check the battery power in the display.

### B. Rain sensors

The Landroid®L is fitted with a Rain Sensor (12) at its rear that will detect rain drops and tell the Landroid®L to stop mowing and follow the Boundary Wire back to its Charging Base. (See Fig. B)


The Landroid®L is programmable to have a delay start function (0 – 180 mins) when it rains. When the rain sensors are wet, the Landroid®L returns to its docking station. Only when the rain sensors become dry will the Landroid®L begin the delay start countdown or return to mowing immediately. If you want to command your Landroid®L to go ahead and start mowing again before the time you have set under the “Rain start delay” function, then press the STOP Button (8), dry the Landroid®L off, and close the Keypad Window (9) to tell it to mow again. See the Programming and Troubleshooting Guide for more details.

### C. Sensing the boundary wire

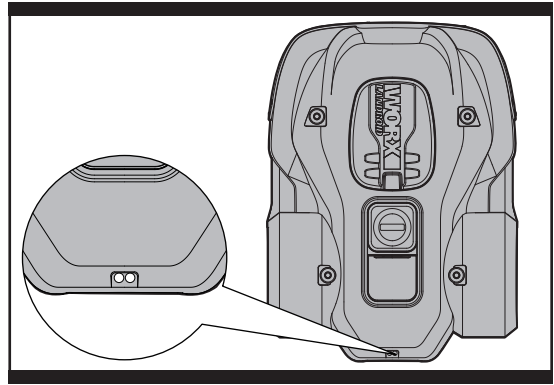
The Landroid®L always obeys the border set by the Boundary Wire and uses two sensors at its front to sense when it is getting close (See Fig. C). Before changing direction, the Landroid®L will overrun the Boundary Wire up to 25cm\*.

\*This is the recommended distance, because the Landroid®L cannot calculate the distance itself. Use the provided distance gauge to ensure proper installation.

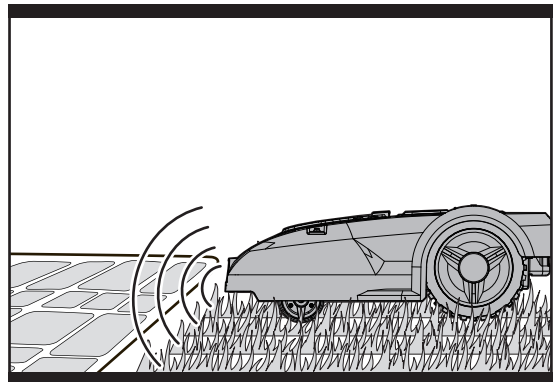
### D. Starting and stopping while mowing

If you would like to command the Landroid®L to stop mowing, then simply press the STOP button (8) on top of the mower. When pressed, the Landroid®L will open its Keypad Window and await your further commands. It will not begin mowing again until you have press  and closed its Keypad Window. (See Fig. D, E)

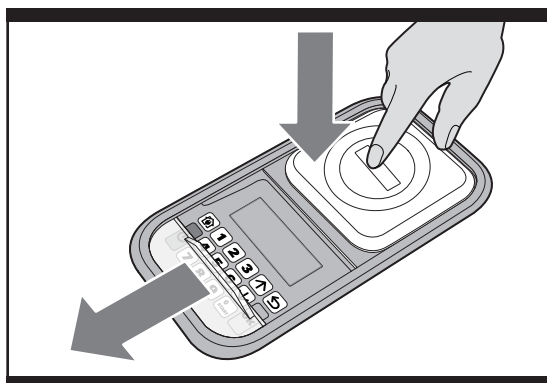
If the Landroid®L senses that something is wrong, it will display a fault message on the Display (20), and will turn itself off if it does not receive any input from the user within 20 min (for information on fault messages refer to the Programming and



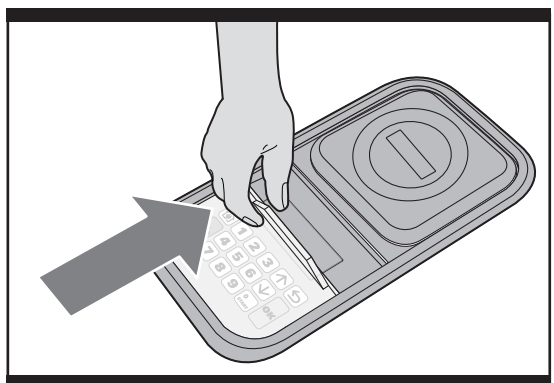
B



C



D





E



Troubleshooting Guide).

To resume:

Scene 1: STOP –Auto Shutdown after 20 mins

- Press the STOP Button
- Open the Keypad Window
- Press the ON/OFF Key (21) to ON
- Press  key to correct the problem
- Press  key again and Close the Keypad Window
- Now the Landroid®L will begin to mow!

Scene 2: STOP– Without Auto Shutdown

- Press the STOP Button
- Open the Keypad Window
- Press  key to correct the problem
- Press  key again and Close the Keypad Window
- Now the Landroid®L will begin to mow!

### 3.3 How big an area can my Landroid®L mow?

Your Landroid®L is capable of mowing areas of up to different size areas, although this depends on various factors, such as:

- Species of grass in your lawn and its growth rate
- Sharpness of the Blades (17)
- Humidity
- Surrounding temperature
- Amount of obstacles in your Lawn

If the surrounding temperature is very cold where you live then your Landroid®L may charge at a slightly slower rate. The Landroid®L uses less energy in open areas that have fewer obstacles, such as flower beds, fountains, walkways, etc...

You can find the default work time of Landroid®L for different lawn size in programming guide

Mowing times are different for every lawn depending on the factors mentioned previously. Gradually adjust the time you allow your Landroid®L to mow each day until you find the most suitable setting.

You can also program Landroid®L working time to suit your schedule – refer to Programming Guide.

### 3.4 How efficiently will my Landroid®L mow the grass?

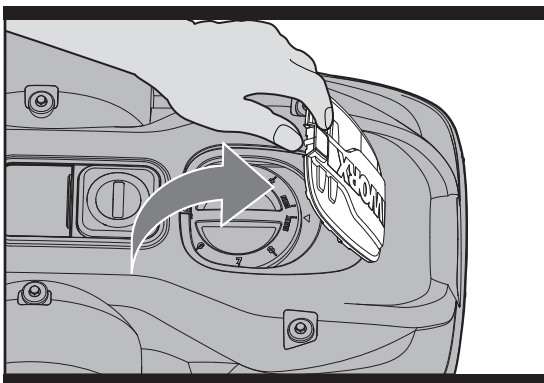
The Landroid®Ls cutting height can be adjusted between 2cm - 6cm. Before starting your Landroid®L for the first time, you should cut the grass to the height not more than 9 cm. Then make sure you open the GRASS CUTTING HEIGHT ADJUSTMENT COVER (6) and set the cutting height to its maximum cutting height of 6cm (See Fig. F, G).

Your Landroid®L will cut its best in dry weather. It does not like wet grass, which can build up on the Blade Turning Disc (16) and within the motor, and can also cause loose traction and slippage while working.

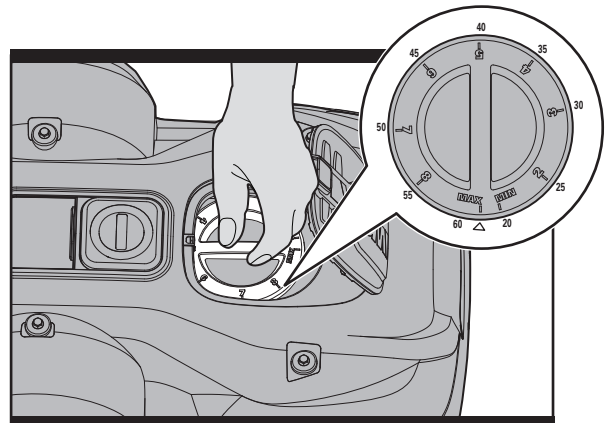
Your Landroid®L is afraid of Lightning Storms. In case of a Lightning Storm, protect the Landroid®L by unplugging the Charging Base (3), disconnecting the Boundary Wire (23), and making sure the Landroid®L is not allowed to charge.

Your Landroid®L loves mowing grass and requires the Cutting Blades (17) to be kept in good condition to cut its best. The Landroid®L can do most things by itself, but will need your help sometimes to prevent damage to itself.

- Never let the Landroid®L travel over gravel.
- Remove or prevent access to obstacles that the Landroid®L could accidentally climb and damage its Blade Disc on.
- Remove all debris and foreign objects from your lawn.



F



G

## 4. Smart phone control

Your Lanroid®L(WG797E) could be connected to smart phone. All the general settings could be set on your phone. It will also show the current working status, even errors. For the details settings, please refer to the Lanroid®L Wifi Connection Guide.

## 5. Boundary Wire Basics

### 5.1 Pegging the Boundary Wire

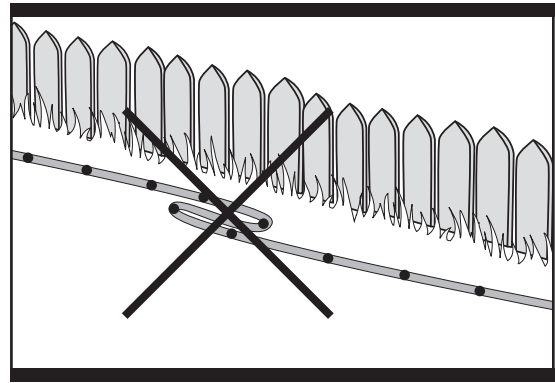
Use the Boundary Wire Distance Gauge (26) to set the correct distance from the border of your lawn (More than 45cm \*).

\* This is the recommended distance. Use the provided distance gauge to ensure proper installation.

If your neighbor also uses a Lanroid®L, then you must keep a spacing of at least 2 metres between your Boundary Wire and your neighbors.

Please be aware that your Lanroid®L will not be able to receive a signal from the Boundary Wire beyond the distance of 25m.

**The boundary wire must outline the intended mowing area exactly.** Your Lanroid®L will become confused by extra bends or coils of Boundary Wire that are not part of its mowing area (See Fig. H). If there is excess Boundary Wire after the mowing area has been outlined, then cut it off and store this additional wire in a separate location. However, it is important to leave the necessary length where it connects to the Charging Base so it can be connected and still remain buried.



H

### 5.2 Burying the Boundary Wire

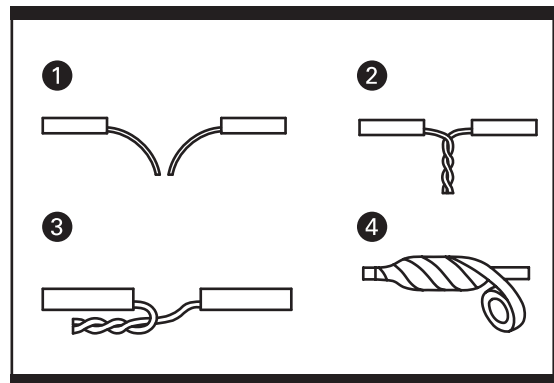
If you are planning to bury the Boundary Wire then it should be noted that when entering its Charging Base for the first time, your Lanroid®L may find problems with the way you have laid the wire. It is recommended to first peg down the Boundary Wire to the lawn so it is easy to make adjustments if necessary. This will allow the Lanroid®L to become adjusted to its new environment and ensures it will successfully work with the charging base before the Boundary Wire is buried.

When you have completed installing the boundary wire, it is recommended that you ask Lanroid®L to follow the boundary wire by pressing the home button.

Whilst observing Lanroid®L locating the charging station you can then make alterations to the boundary wire route to ensure trouble free tracking of the boundary wire by Lanroid®L when locating the charging station.

### 5.3 Joining the Boundary Wire

The Boundary Wire (23) can be extended simply by splicing the ends and connecting it to the ends of another piece of wire. You can use insulating tape to secure the joined part of the wire. (See Fig. I)



I

### 5.4 Turn on and test installation

If the charger base LED does not come on, then check the power connections.

If the charger base LED is flashing green, check if the boundary wire is connected correctly.

Red light on: charging.

Red light flashing: error message, refer to Trouble Shooting and correct the problems.

Green light flashing: check if the boundary wire is connected correctly.

When the green light on the charging base is on, place your Lanroid®L over the boundary wire, if Lanroid®L follows the boundary it is connected correctly.

If your Lanroid®L is inside its territory but the display says "Outside working area" and the LED is on, it means you clamped the boundary wire ends incorrectly. Just reverse them.

## 6. Software update

Your Landroid®L software can be updated when new versions become available. The software version will be showed in the display. The manual in box is based on the default software in the mass production .Some new features/functions in the new version may not exist in the manual. If you found some settings not in the manual, please visit [www.worxlandroid.com](http://www.worxlandroid.com). to download the latest manual. You can check the software version installed on your machine by pressing the ON/OFF button.

The latest software can be downloaded from our website – see below download and installation instructions;

Step 1:

Locate the latest software version at : [www.worxlandroid.com](http://www.worxlandroid.com).

Copy the "bin" file containing the latest software version to a USB memory stick. Note: before transferring the "bin" file make sure the memory stick does not contain other files or data.

Step 2:

Open the cover at the bottom and remove the battery and then insert the U disk to the USB port. (See Fig. J1)

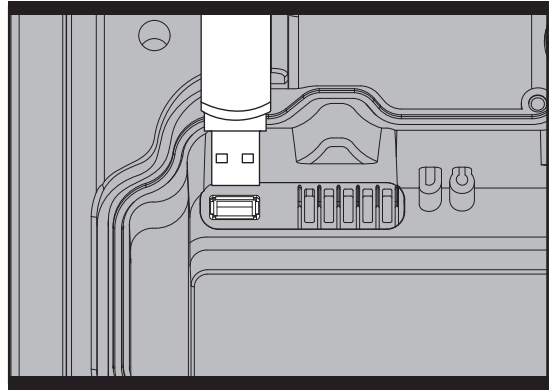
Step 3:

Insert the battery pack and press the ON/OFF button for ten seconds until the mower is powered ON. The new software version will be displayed in the bottom right corner of the display. (See Fig. J2)

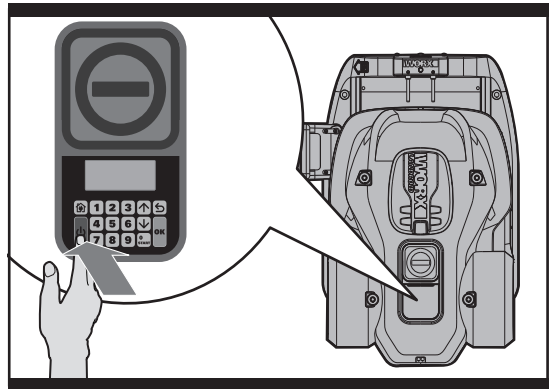
Step 4: Remove the memory stick and refit the battery cover.

Step 5: After installing the new software you will need to reset the diagnostic panel on your mower. Firstly, position the mower on a horizontal surface.

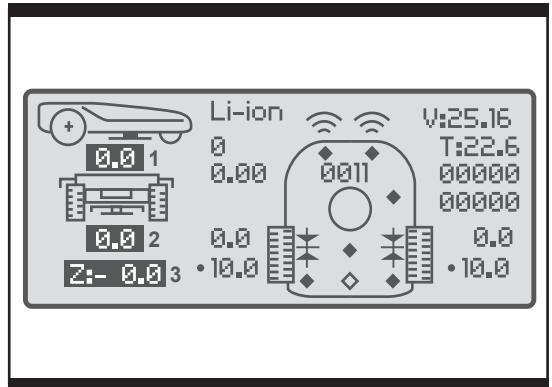
Press Key "2" to enter the diagnosis interface, and press Key "5" for a few seconds until the three numbers 1 2 & 3 highlighted below turn back to zero. (See Fig. J3)



J1



J2



J3

## 7. Maintenance

Your Landroid®L needs to be checked from time to time. The Landroid®L works hard and after time needs a good cleaning as well as to have its parts replaced, as they can become worn. In the following we want to let you know how to take care of your Landroid®L.

### 7.1 Keep it Sharp

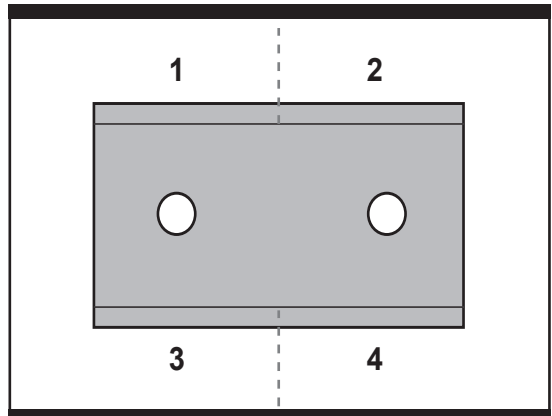


**WARNING: Before cleaning, adjusting, or replacing the Blades, turn your Landroid®L OFF by pressing the ON/OFF Button to OFF and put on protective gloves.**



**WARNING! When fitting new blades, make sure you replace ALL the blades. Always use new screws when fitting blades . This is important to ensure blade retention. Failure to use new screws could cause serious injury.**

The Landroid®L does not cut grass like other mowers. Its Blades (17) are razor sharp on all 4 edges and spin in both directions for maximum cutting capacity (See Fig. K). Each blade of your Landroid®L has 4 cutting edges. Depending on the frequency the Landroid®L mows your lawn, the cutting blades will need to be flipped/rotated periodically for a new cutting edge. If your Landroid®L is programmed to mow the lawn every day then the cutting blades will need to be rotated monthly for the best mowing results. Each cutting blade will last up to 4 months when it is programmed to mow every day. When the cutting blades are

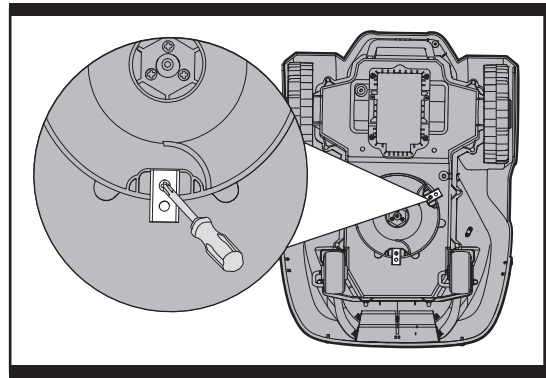


K

dull and worn out, they should be replaced with the spare blades provided with your Landroid®L. Spare blades are also available at your nearest WORX retailer.

### A. Rotate and Flip the Blades

Your Landroid®L carries the Blades that are all screwed onto the Blade Disc (16). The Blades allow the Landroid®L to do its job and need care and attention. Every once in awhile, you should simultaneously rotate and flip all blades for a perfect cut. When rotating and flipping the Blades, make sure all the Blades are adjusted at the same time or else it could make the Blade Disc off balance. If your Landroid®L mows on a normal schedule (daily) then the Blades should last one season if they are rotated and flipped every month. Always check to see if the Blades are chipped or damaged and replace them if they are.



L

### B. Replace the Blades (See Fig. L)

After some time, usually every season, your Landroid®Ls Blades will need to be replaced. Your Landroid®L does not like mowing while using Blades of different age and quality. So when replacing the Blades, make sure to replace all of them at the same time. You can replace them with one of the three spare Blade kits and extra Blade screws supplied with your Landroid®L.

Before attempting to replace your Landroid®Ls Blades, turn the power off and put on protective gloves. Then follow these steps:

1. Gently flip the Landroid®L over
2. Remove the battery cover and remove the battery.
3. Take the screws off the Blades with a screwdriver
4. Firmly screw on the new Blades
5. Refit the battery and battery cover.

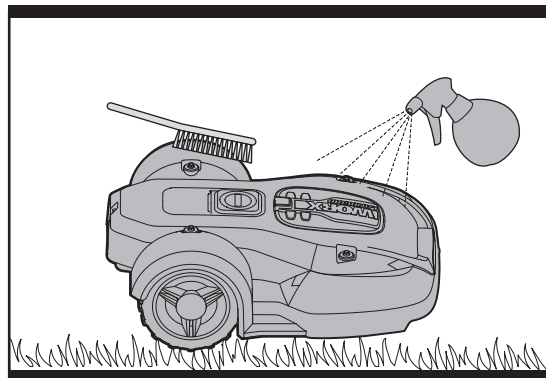
**IMPORTANT: After screwing the Blade to the Blade Disc, make sure the Blade is able to spin freely.**

## 7.2 Keep it Clean

**⚠ WARNING! Before cleaning turn your Landroid®L OFF by pressing the ON/OFF Button to OFF. Put on protective gloves before cleaning the Blade Disc (16) and do not use running water. (See Fig. M)**

### A. Cleaning the Body

Your Landroid®L will live a much happier and longer life if it is cleaned regularly. Although, as your Landroid®L is an electric machine, you will need to take care when cleaning, so DO NOT use a hose, high pressure washers or otherwise pour running water on your Landroid®L, it is best to use a spray bottle filled with water. When cleaning the machine body use a soft brush or clean cloth and avoid using solvents or polishes (See Fig. M). Lastly, make sure that you remove all build up of grass clippings and debris.



M

### B. Cleaning the Underside

Again, it is important that you power the Landroid®L OFF using the ON/Off Button and wear protective gloves before touching the Blade Disc (16).

First, flip your Landroid®L upside down to expose its underside. Here you will see the Blade Disc the Main Housing (14), and the Front (18) and Drive Wheels (11). Clean everything thoroughly with a soft brush or moist rag cloth.

Rotate the Blade Disc to ensure it rotates freely. Check the blades spin freely around the fixing screws. Remove any obstructions.

**IMPORTANT: Remove any lodged debris so that it does not cause a crack in the Blade Disc. Even the tiniest crack can decrease your Landroid®L mowing output.**

### C. Clean the contact pins and the charging strips

Clean the Contact Pins (2) located on the Charging Base (3) and the Charging Strip (5) located on the Landroid®L using a cloth. Remove any build up of grass clippings and debris around the contact pins and charge strips periodically to ensure

the Landroid®L successfully charges each time.

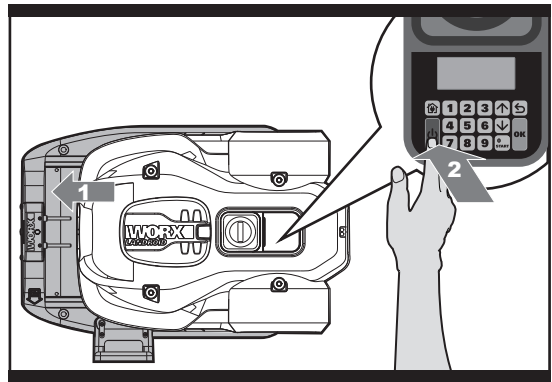
### 7.3 Battery Life

The heart of the Landroid®L is its 28-volt lithium-ion battery. No maintenance is required. For proper storage of the battery, make sure it is fully charged in kept in a cool dry place between (20°C-60°C).

The life-span of the Landroid®Ls battery depends on various factors, such as:

- The time span of the mowing season in your region.
- Amount of hours the Landroid®L mows per day.
- Battery maintenance during storage.

Landroid®L can be charged manually without the boundary wire.(See Fig.N)



**N**

**To manually charge the battery without connecting the boundary wire to the charging base;**

- 1. Connect the Charging Base to a suitable power supply.**
- 2. Manually dock the Landroid®L into the Charging Base while the Landroid®L is powered off.**
- 3. The charging base red light will turn on.**
- 4. Within 3 seconds and before the charging base light turns green, press the Landroid®L power ON/OFF button.**
- 5. Close the Keypad Window and Landroid®L will begin to charge.**

### 7.4 Winter Hibernation

Your Landroid®L will live longer and healthier if it is allowed to hibernate. So even though it is tough, we would recommend that you store your Landroid®L in your shed or garage during the winter. Before you prepare your Landroid®L for winter hibernation, we recommend you:

- Thoroughly clean your Landroid®L.
- Fully charge the battery.
- Turn the mower off.

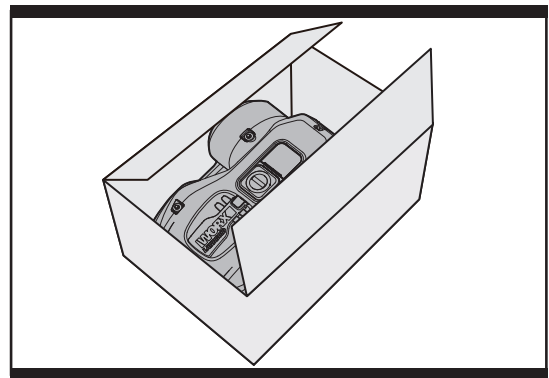
The battery should be fully charged one time during winter to keep it in the best possible health for next season.

When storing, lay the Landroid®L flat on all four wheels in a dry place away from temperature extremes. It is suggested to store your Landroid®L in its original box. It is best to put the

Charging Base, Low Voltage Cable (4), and Transformer (22) indoors over the winter season as well. (See Fig. O)

The Boundary Wire can be left in the ground although its ends should be protected, such as placed in a tin can with grease. If the Charging Base is left outside for winter, leave the Boundary Wire connected.

**NOTE:** When bringing the Landroid®L back to life after winter hibernation, make sure the Charging Strips (5) and Contact Pins (2) are clean, it is best to use a fine grade emery cloth. Then make sure the date and time are correct and send the Landroid®L back to what it loves doing: mowing.



**O**

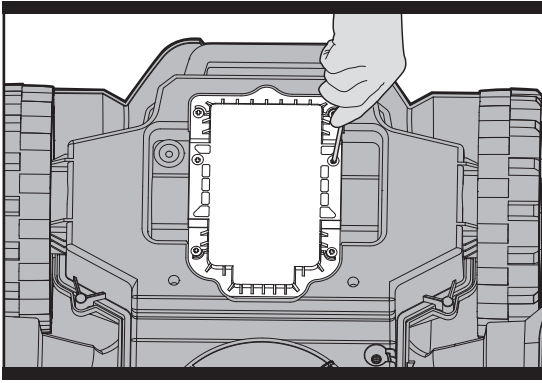
### 7.5 Replacing the Battery



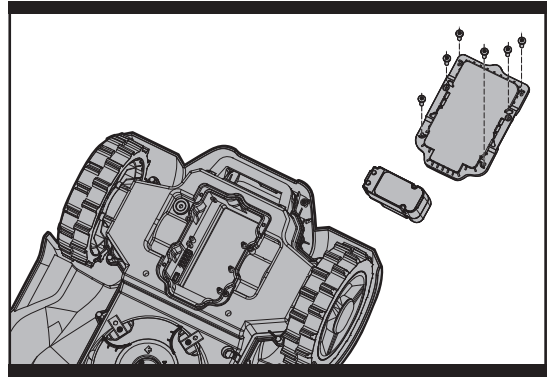
**WARNING! Press the ON/OFF Key to OFF before attempting any adjustment, replacement or repair.**

If you need to replace the Battery, follow these steps:

1. Gently Turn your Landroid®L upside down.
2. Remove the six screws on the battery cover. (See Fig. P)
3. Take out the old battery. (See Fig. Q)
4. Put in the new battery.
5. Firmly replace the 6 screws.



**P**



**Q**

## Environmental Protection



Waste electrical products should not be disposed of with household waste. Please recycle where facilities exist. Check with your Local Authority or retailer for recycling advice.

## Plug Replacement (UK & Ireland Only)

If you need to replace the fitted plug then follow the instructions below.

### IMPORTANT

The wires in the mains lead are colored in accordance with the following code:

**Blue - Neutral**

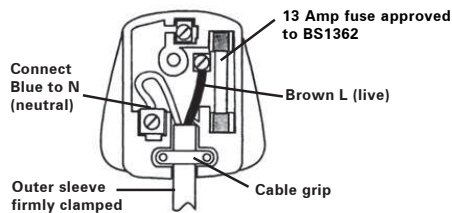
**Brown - Live**

As the colors of the wires in the mains lead of this appliance may not correspond with the coloured markings identifying the terminals in your plug, proceed as follows. The wire which is coloured blue must be connected to the terminal which is marked with N. The wire which is coloured brown must be connected to the terminal which is marked with L.



**WARNING:** Never connect live or neutral wires to the earth terminal of the plug. Only fit an approved BS1363/A plug and the correct rated fuse.

**NOTE:** If a moulded plug is fitted and has to be removed take great care in disposing of the plug and severed cable, it must be destroyed to prevent engaging into a socket.



# BEDIENUNGSANLEITUNG

## INHALT

<b>1. Sicherheitsvorschriften</b>	<b>17</b>
1.1 Allgemeine Sicherheitshinweise für Elektrowerkzeuge	17
1.2 Informationen zum Landroid®L	19
<b>2. Lieferumfang</b>	<b>20</b>
<b>3. Wissenswertes Zu Ihrem Landroid®L</b>	<b>22</b>
3.1 Wie weiß mein Landroid®L, wo er mähen soll?	22
3.2 Wie weiß mein Landroid®L, wohin er fahren soll?	23
A. Ladebasis finden	23
B. Regensensor	23
C. Begrenzungskabel erkennen	23
D. Beim Mähen stoppen und wieder starten	23
3.3 Welche Fläche kann mein Landroid®L mähen?	24
3.4 Wie gut mäht der Landroid®L das Gras?	24
<b>4. Smartphone-Steuerung</b>	<b>25</b>
<b>5. Grundlegendes Zum Begrenzungskabel</b>	<b>25</b>
5.1 Begrenzungskabel Abstecken	25
5.2 Begrenzungskabel eingraben	25
5.3 Begrenzungskabel verbinden	25
5.4 Einschalten und Installation testen	26
<b>6. Softwareaktualisierung</b>	<b>26</b>
<b>7. Wartung</b>	<b>26</b>
7.1 Immer schön scharf	27
A. Messer drehen und umdrehen	27
B. Messer austauschen	27
7.2 Sauber halten	27
A. Gehäuse reinigen	28
B. Reinigen der Unterseite	28
C. Kontakte und Ladestreifen reinigen	28
7.3 Akkulaufzeit und -haltbarkeit	28
7.4 Überwintern	28
7.5 Akku austauschen	29



# 1. Sicherheitsvorschriften

## 1.1 Allgemeine Sicherheitshinweise für Elektrowerkzeuge

 **WARNUNG: Lesen Sie alle Sicherheitshinweise und Anweisungen.** Versäumnisse bei der Einhaltung der Sicherheitshinweise und Anweisungen können elektrischen Schlag, Brand und/oder schwere Verletzungen verursachen.

**Lesen Sie die Bedienungsanleitung zum sicheren Betrieb des Gerätes aufmerksam durch.**

**Bewahren Sie alle Sicherheitshinweise und Anweisungen für die Zukunft auf.**

- Dieses Gerät ist nicht zur Verwendung durch Personen (einschließlich Kindern) vorgesehen, die über reduzierte körperliche Eignung, Wahrnehmung oder geistige Fähigkeiten, Mangel an Erfahrung und Wissen verfügen, sofern diese Personen nicht von einer verantwortlichen Person beaufsichtigt oder in der Verwendung des Gerätes unterwiesen wurden.
- Kinder sollten grundsätzlich beaufsichtigt werden, damit sie nicht mit dem Gerät spielen.
- Das Gerät darf nur mit dem mitgelieferten Netzteil verwendet werden.

### WICHTIG

**VOR DER NUTZUNG SORGFÄLTIG LESEN  
FÜR SPÄTERES NACHSCHLAGEN AUFBEWAHREN**

### SICHERER BETRIEB

#### Training

- a) Die Anweisungen aufmerksam durchlesen. Machen Sie sich mit den Bedienelementen und dem vorschrittmäßigen Gebrauch des Rasenmähers vertraut.
- b) Niemals Kindern oder mit diesen Anweisungen nicht vertrauten Personen erlauben, den Rasenmäher zu benutzen. Nationale Vorschriften können das Alter der Bedienperson möglicherweise beschränken.
- c) Bedenken Sie, dass der Bediener oder Benutzer bei Unfällen oder Gefährdungen anderer Personen oder deren Eigentum die Verantwortung trägt!

#### Vorbereitung

- a) Stellen Sie sicher, dass das Begrenzungskabel gemäß den Anweisungen verlegt wird.
- b) Inspizieren Sie die Gegend, in der die Ausrüstung eingesetzt werden soll, gründlich und entfernen Sie alle Objekte, die durch die Maschine aufgeschleudert werden könnten.
- c) Vor der Benutzung immer durch Augenschein prüfen, ob Messer, Messerschrauben und Schneidbalken abgenutzt oder beschädigt sind. Abgenutzte Messer und Schrauben nur im ganzen Satz auswechseln, um Unwuchten zu vermeiden.
- d) Achten Sie darauf, dass bei Geräten mit mehreren Klingen ein Klingensatz durch den anderen in Rotation versetzt werden kann.
- e) **WARNUNG!** Der Rasenmäher darf nicht betrieben werden, wenn der Schutz nicht angebracht ist.

### BETRIEB

#### 1. ALLGEMEINE SICHERHEITSHINWEISE

- a) Den Rasenmäher auf keinen Fall mit defekten Schutzvorrichtungen oder Schutzblechen, oder ohne ordnungsgemäß montierte Sicherheitseinrichtungen wie z. B. Prallbleche in Einsatz bringen.
- b) Hände und Füße nicht in die Nähe oder unter rotierende Teile bringen.
- c) Niemals den Rasenmäher bei laufendem Motor anheben oder tragen.
- d) Betätigen Sie die Deaktivierungseinrichtung des Geräts, wenn
  - Sie ein Hindernis wegräumen,
  - Sie die Maschine überprüfen, säubern oder an der Maschine arbeiten,
- e) Der ursprüngliche Zustand des WORX Landroid®L darf nicht modifiziert werden. Alle Änderungen erfolgen auf eigene Verantwortung.
- f) Starten Sie den Roboter-Rasenmäher gemäß Anweisungen. Wenn der Netzschalter eingeschaltet ist, stellen Sie sicher, dass Sie Ihre Hände und Füße von den drehenden Klingen entfernt halten. Bringen Sie Ihre Hände und Füße niemals unter den Rasenmäher.
- g) Heben Sie den Roboter-Rasenmäher niemals an bzw. tragen Sie ihn nicht, wenn der Netzschalter eingeschaltet ist.
- h) Erlauben Sie niemandem, der sich mit den Funktionen und Verhaltensmustern von WORX Landroid®L nicht auskennt, den Mäher zu benutzen.
- i) Keine Gegenstände auf den WORX Landroid®L oder seine Ladestation legen.
- j) Wenn der Messerteller oder das Gehäuse defekt ist, darf der WORX Landroid®L nicht in Betrieb genommen werden. Das gleiche gilt für defekte Messer, Schrauben, Muttern oder Kabel.
- k) Schalten Sie den Roboter-Rasenmäher stets aus, wenn dieser nicht verwendet wird. Der Roboter-Rasenmäher kann nur starten, wenn der Netzschalter eingeschaltet ist und der korrekte PIN-Code eingegeben wurde.

#### 2. HINWEIS ZUM AUTOMATIKBETRIEB DES ROBOTERS

- a) Den WORX Landroid®L niemals verwenden, wenn sich Personen – besonders Kinder – oder Haustiere in der Nähe aufhalten.

## WARTUNG UND AUFBEWAHRUNG



**WARNUNG! Wenn der Rasenmäher umgedreht wird, muss der Netzschalter stets ausgeschaltet werden.**

**Der Netzschalter muss bei allen Arbeiten am Unterbau des Rasenmähers ausgeschaltet werden, beispielsweise bei der Reinigung oder beim Wechseln der Klingen.**

- a) Den festen Sitz aller Schrauben, Muttern und Bolzen sicherstellen um zu gewährleisten, dass sich der Rasenmäher in einem betriebssicheren Zustand befindet;
- b) Den WORX Landroid®L einmal pro Woche kontrollieren und eventuell beschädigte oder verschlissene Teile austauschen.
- c) Prüfen Sie vor allem, ob die Messer und der Messerteller nicht beschädigt sind. Bei Bedarf alle Messer und Schrauben gleichzeitig austauschen, um eine Unwucht der rotierenden Teile zu vermeiden.
- d) Verwenden Sie beim Austausch nur Original WORX Messer.
- e) Verwenden Sie zum Laden des Akkus nur das vom Hersteller empfohlene Ladegerät. Eine nicht den Hinweisen entsprechende Verwendung kann zu einem Stromschlag, zur Überhitzung oder zum Auslaufen der Batterieflüssigkeit führen.
- f) Tritt Batterieflüssigkeit aus, beseitigen Sie sie mit Wasser und einem neutralen Reinigungsmittel. Kommt sie mit Augen etc. in Kontakt, suchen Sie sofort einen Arzt auf.
- g) Warten Sie den Roboter nach den Anweisungen des Herstellers.

### Transport

Für längere Transporte legen Sie den WORX Landroid®L am besten in die Originalverpackung.

Für einen sicheren Transport vom oder innerhalb des Arbeitsbereichs:

- a) Drücken Sie die STOP -Taste, um den Mäher zu stoppen.
- b) Sie wählen den vierstelligen PIN aus, wenn Sie den Mäher das erste Mal benutzen.
- c) Schalten Sie den Roboter-Rasenmäher immer aus, wenn Sie diesen tragen möchten.
- d) Den Mäher an seinem Griff ganz hinten unten tragen. Halten Sie den Messerteller beim Tragen des Mähers vom Körper weg.



### Sicherheit hinweise für Akkupack

- a) **Zellen bzw. Akkupack nicht zerlegen, öffnen oder zerdrücken.**
- b) **Akkupack nicht kurzschließen. Akkupacks nicht wahllos in einer Schachtel oder Schublade aufbewahren, wo sie einander kurzschließen oder durch andere leitfähige Materialien kurzgeschlossen werden könnten.** Bei Nichtverwendung des Akkupacks ist dieses von Metallgegenständen fernzuhalten, wie etwa Büroklammern, Münzen, Nägeln, Schrauben oder anderen kleinen Metallgegenständen, wo sich die Batterieklammern berühren könnten. Das Kurzschließen der Batterieklammern kann Verbrennungen bzw. einen Brand verursachen.
- c) **Zellen bzw. Akkupacks nicht Hitze oder Feuer aussetzen. Lagerung in direktem Sonnenlicht vermeiden.**
- d) **Akkupack nicht mechanischen Stößen aussetzen.**
- e) **Im Fall, dass Flüssigkeit aus dem Akku austritt, darf diese nicht in Kontakt mit der Haut oder den Augen kommen. Sollte dies dennoch geschehen, den betroffenen Bereich sofort mit viel Wasser spülen und einen Arzt aufsuchen.**
- f) **Beim Verschlucken einer Zelle oder eines Akkupacks muss sofort ein Arzt herangezogen werden.**
- g) **Akkupack sauber und trocken halten.**
- h) **Akkupacks funktionieren bei normaler Zimmertemperatur (20°C ± 5°C) am besten.**
- i) **Beim Entsorgen von Akkupacks sollten Akkupacks mit verschiedenen elektrochemischen Systemen voneinander getrennt gehalten werden.**
- j) **Nur mit dem von WORX bezeichneten Ladegerät aufladen. Kein Ladegerät verwenden, das nicht ausdrücklich für den Gebrauch mit dem Gerät vorgesehen ist.** Ein Ladegerät, das für eine bestimmte Art von Akkupack geeignet ist, kann bei Verwendung mit einem anderen Akkupack eine Brandgefahr darstellen.
- k) **Kein Akkupack verwenden, das nicht für den Gebrauch mit dem Gerät vorgesehen ist.**
- l) **Akkupacks von Kindern fernhalten.**
- m) **Die originalen Produktunterlagen zum späteren Nachschlagen aufbewahren.**
- n) **Ordnungsgemäß entsorgen.**

## 1.2 Informationen zum Landroid®L



WARNUNG-Rasenmäroboter kann bei falscher Verwendung gefährlich sein.

Lesen Sie die Bedienungsanleitung sorgfältig durch und begreifen Sie deren Inhalt, bevor Sie Ihren Rasenmäroboter verwenden.



WARNUNG-Halten Sie einen Sicherheitsabstand zu Unbeteiligten ein.



WARNUNG-Betätigen Sie die Deaktivierungsvorrichtung, bevor Sie am Gerät arbeiten oder die Maschine anheben.



WARNUNG–RASENMÄHROBOTER darf nicht als Transportmittel missbraucht werden.



Nicht im Feuer entsorgen



Batterien können bei falscher Entsorgung in den Wasserkreislauf gelangen und das Ökosystem bedrohen. Entsorgen Sie alte Batterien nicht im unsortierten Haushaltsabfall.



Li-Ion

Akkus sollten dem Recycling zugeführt werden.



Li-Ion

Akku nicht in den Haushaltsmüll geben. Bringen Sie den leeren Akku zu Ihrer lokalen Sammel- oder Recyclingstelle.

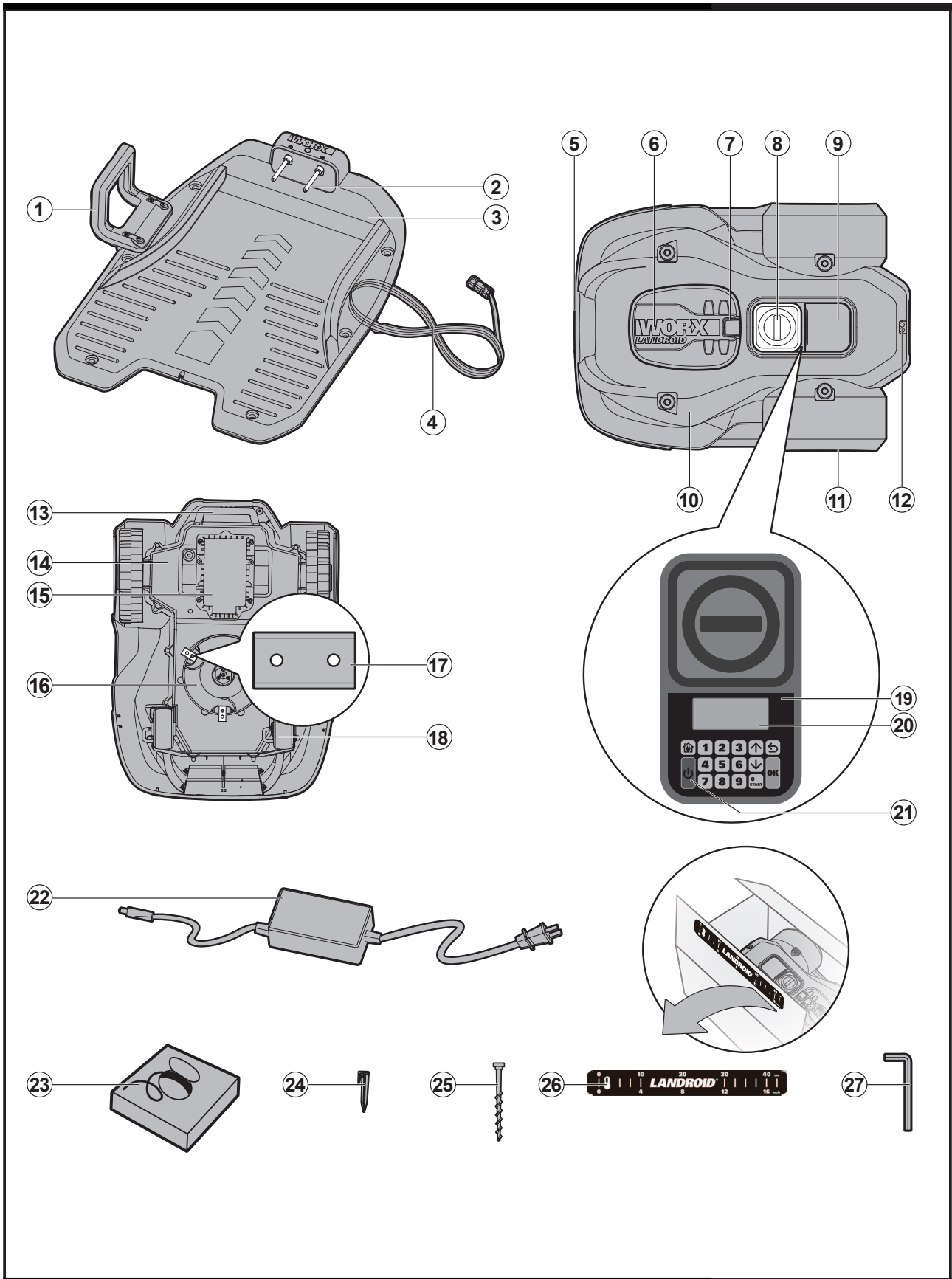


Waschen Sie das Gerät nicht mit einem Hochdruckreiniger.



Schadhafte und/ oder entsorgte elektrische oder elektronische Geräte müssen an den dafür vorgesehenen Recycling-Stellen abgegeben werden. Wir möchten Sie daher bitten, uns mit Ihrem aktiven Beitrag beim Umweltschutz zu unterstützen und dieses Gerät bei den Wertstoff-/ Recycling-Sammelstellen abzugeben. Bitte erkundigen Sie sich bei der örtlichen Behörde oder beim Vertragshändler über Müllsammlung und -Entsorgung.

## 2. Lieferumfang



- 
- 1. GRIFFSTANGE**

---

  - 2. KONTAKTSTIFTE**

---

  - 3. LADEBASIS**

---

  - 4. NIEDERSPANNUNGSKABEL**

---

  - 5. LADESTREIFEN**

---

  - 6. ABDECKUNG DER GRAS-SCHNITTHÖHENEINSTELLUNG**

---

  - 7. ZUGANGSPUNKT - ZUM ÖFFNEN DER SCHNITTHÖHENEINSTELLUNG**

---

  - 8. STOP-TASTE**

---

  - 9. TASTATURFENSTER**

---

  - 10. LANDROID MÄHWERK**

---

  - 11. HINTERES ANTRIEBSRAD**

---

  - 12. REGENSENSOR**

---

  - 13. GRIFF**

---

  - 14. HAUPTGEHÄUSE - ENTHÄLT MOTOR, ELEKTRONIK UND AKKU.**

---

  - 15. AKKU**

---

  - 16. MESSERDREHSCHEIBE**

---

  - 17. SCHNEIDMESSER**

---

  - 18. VORDERRAD**

---

  - 19. TASTATUR**

---

  - 20. DISPLAY**

---

  - 21. EIN-/AUSTASTE**

---

  - 22. NETZTEIL**

---

  - 23. BEGRENZUNGSKABEL**

---

  - 24. DRAHTSTIFTE**

---

  - 25. HERINGE FÜR LADESTATION**

---

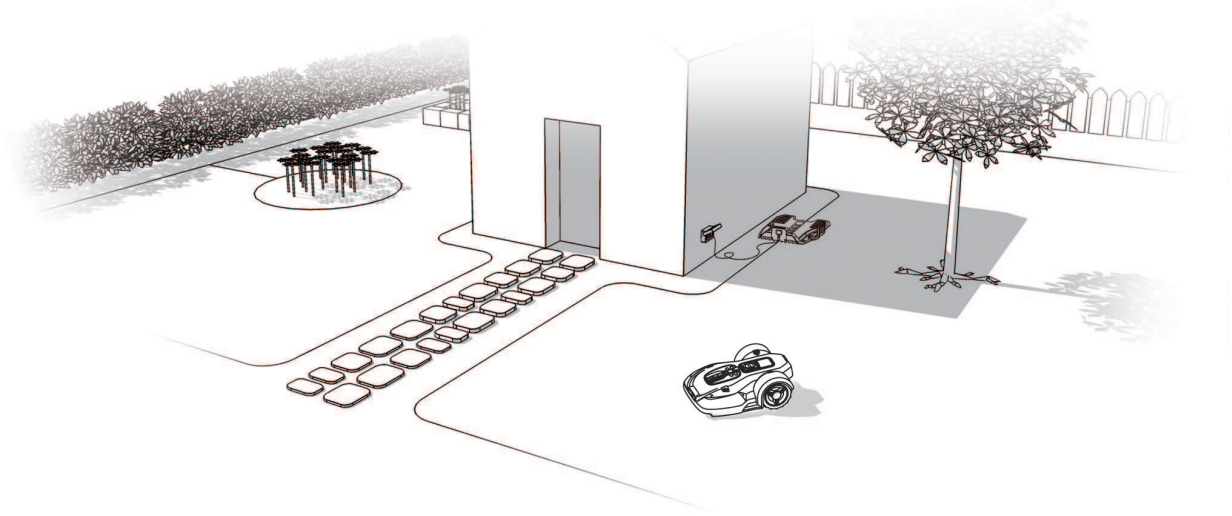
  - 26. BEGRENZUNGSKABEL-ABSTANDLEHRE**

---

  - 27. INBUSSCHLÜSSEL**
-

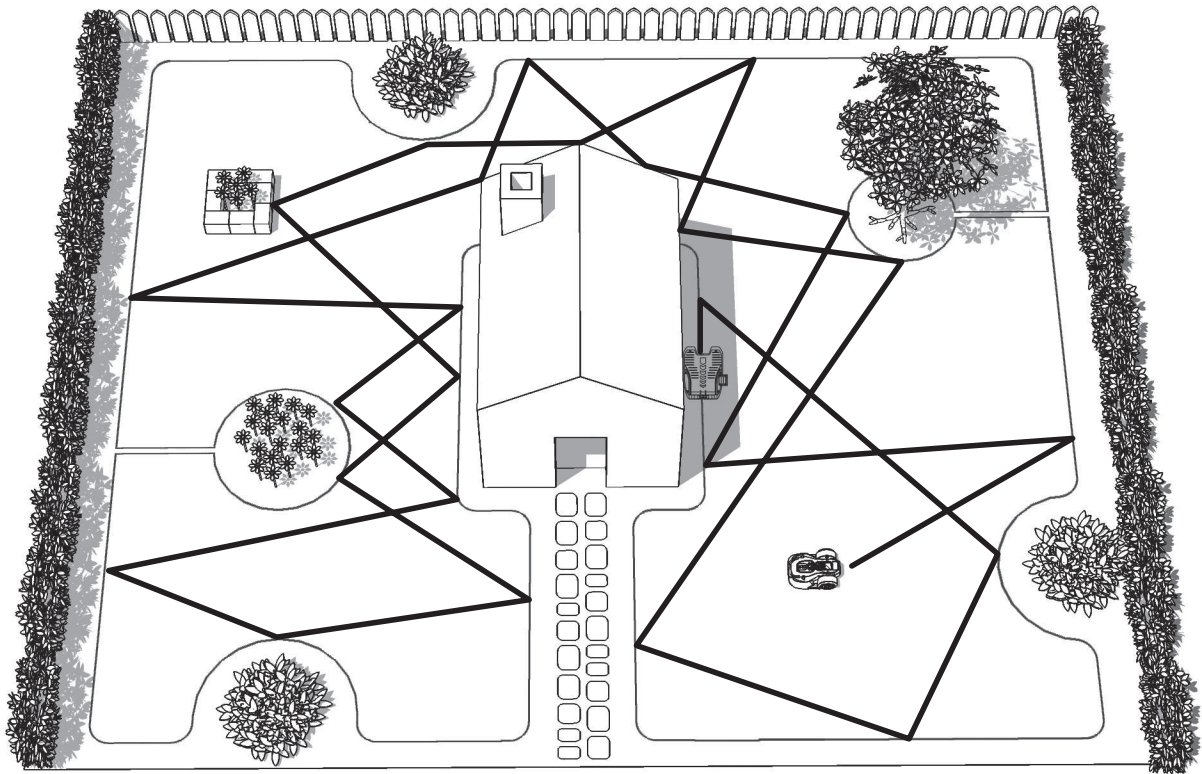
### 3. Wissenswertes Zu Ihrem Landroid® L

Herzlichen Glückwunsch zum Kauf Ihres neuen Landroid® L und willkommen in der komfortablen Welt des automatischen Mähens. Nun möchten wir Ihnen zeigen, wie Ihr Landroid® L funktioniert und „denkt“.



#### 3.1 Wie weiß mein Landroid® L, wo er mähen soll?

Der Landroid® L wählt seine Richtung nach dem Zufallsprinzip. Dadurch sorgt das Gerät dafür, dass der Rasen gleichmäßig gemäht wird und keine auffälligen Mähwege entstehen (Siehe Abbildung A).



**A**

## 3.2 Wie weiß mein Landroid®L, wohin er fahren soll?

Ihr Landroid®L kann völlig selbstständig arbeiten. Der Landroid®L weiß, wann er zu seiner Ladestation (3) zurückkehren muss, um aufgeladen zu werden. Er erkennt einsetzenden Regen und kann selbst stoppen, wenn er ein Problem erkennt. Er weiß auch, wie er anhält, zurückfährt und dann umdreht, wenn sein Weg durch ein anderes Objekt blockiert wird.

Der Landroid®L hört automatisch mit dem Rotieren der Messerdrehzscheibe (16) auf, wenn er vom Boden aufgehoben wird, um Unfälle zu vermeiden.

### A. Ladebasis finden

Wenn Ihr Landroid®L aufgeladen werden muss, stoppt er das Mähen und folgt dem Begrenzungskabel (23) gegen den Uhrzeigersinn zurück zu dessen Ladestation. Der Landroid®L ist vorprogrammiert, um das Gras entlang des Begrenzungskabels einmal wöchentlich zu mähen. Wenn Sie das Gras entlang des Begrenzungskabels zu anderen Zeiten mähen möchten, öffnen Sie das Tastaturfenster, drücken Sie die Home-Taste, und schließen Sie das Tastaturfenster. Der Landroid®L wird den Mähvorgang starten, das Begrenzungskabel lokalisieren und das Gras entlang des Kabels mähen, während er die Ladestation sucht.

Wenn Sie also das Gras beim Begrenzungsdraht mähen wollen, müssen Sie einfach die Home-Taste drücken und das Tastaturfenster schließen. Wir empfehlen, dass Sie diese Funktion verwenden, wenn die Akkuleistung mehr als 75% beträgt. Sie können die Akkuleistung im Display überprüfen.

### B. Regensensor

Am Heck befindet sich ein Regensensor (12), mit dem der Landroid®L Regentropfen erkennt. In diesem Fall stellt er das Mähen ein und folgt dem Begrenzungskabel zurück zu seiner Ladebasis (Siehe Abbildung B).

Der Landroid®L ist bei Regen über eine verzögerte Startfunktion (0 - 180min.) programmierbar. Sollten die Regensensoren nass werden, so kehrt der Landroid®L zurück in seine Docking-Station. Erst wenn die Regensensoren trocken sind, beginnt der Landroid®L mit dem verzögerten Start-Countdown oder fährt umgehend mit dem Mähvorgang fort. Allerdings können Sie Ihren Landroid®L auch zum Fortsetzen des Mähens auffordern, bevor die unter „Regen-Startverzögerung“ eingestellte Zeit verstrichen ist: Dazu drücken Sie die STOP (8), trocknen den Landroid®L ab und schließen das Tastaturfenster (9) anschließend wieder. In der Programmierungs- und Problemlösungsanleitung finden Sie weitere Details.

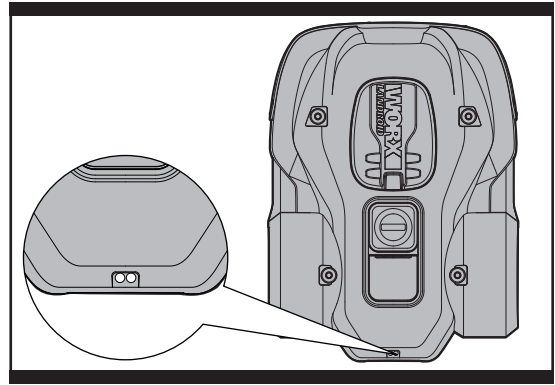
### C. Begrenzungskabel erkennen

Der Landroid®L hält sich grundsätzlich an die vom Begrenzungskabel vorgegebenen Grenzen; dazu setzt er zwei spezielle Sensoren an seiner Vorderseite ein (Siehe Abbildung C). Zum Wenden überfährt der Landroid®L das Begrenzungskabel um bis zu 25cm\*.

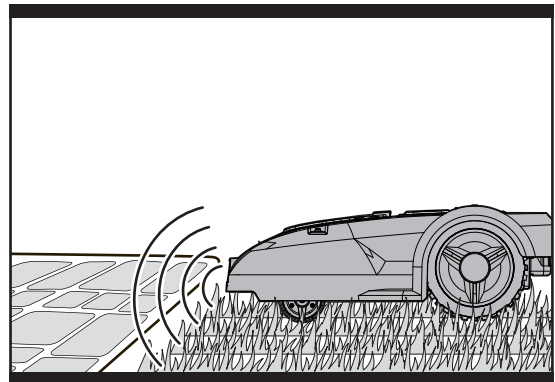
\*Dies ist ein empfohlener Abstand, da dieser nicht vom Landroid®L selbst berechnet werden kann. Sorgen Sie mit der mitgelieferten Abstandlehre für die richtigen Entfernungen.

### D. Beim Mähen stoppen und wieder starten

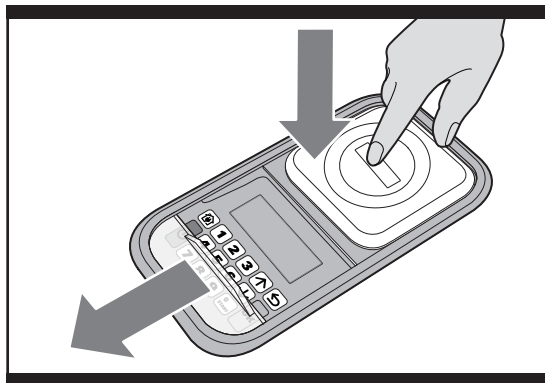
Wenn Sie den Landroid®L beim Mähen stoppen möchten, drücken Sie einfach die STOP (8) am Oberteil. Nach der Betätigung öffnet der Landroid®L sein Tastaturfenster und wartet auf weitere Befehle. Der Mähvorgang wird nicht wieder



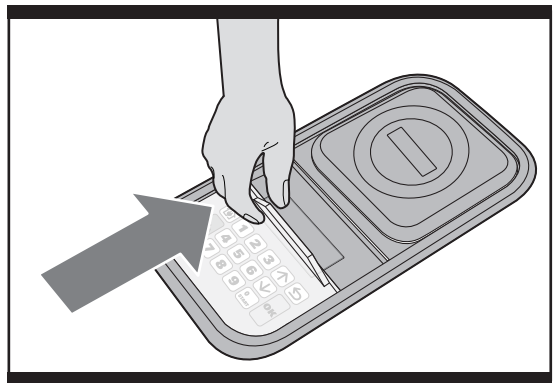
B



C



D



E

gestartet, bis Sie **START** drücken und das Tastaturfenster geschlossen haben (Siehe Abbildung D, E)  
Falls der Landroid®L erkennt, dass etwas nicht stimmt, zeigt er eine Fehlermeldung im Display (20) an und schaltet sich selbst aus, wenn er vom Benutzer innerhalb von 20 Minuten keinen Befehl erhält. (Hinweise zu Fehlermeldungen finden Sie in der Programmierungs- und Problemlösungsanleitung.)

Betrieb wiederaufnehmen:

Szene 1: STOP – Automatisches Ausschalten nach 20 Minuten

- Drücken Sie die STOP.
- Öffnen Sie das Tastaturfenster.
- Stellen Sie die Taste ON/OFF (21) auf ON
- Drücken Sie die Taste **START**, um das Problem zu beheben
- Drücken Sie erneut **START**, und schließen Sie das Tastaturfenster
- Der Landroid®L beginnt jetzt mit dem Mähen!

Szene 2: STOP– Ohne automatische Abschaltung

- Drücken Sie die STOP.
- Öffnen Sie das Tastaturfenster.
- Drücken Sie die Taste **START**, um das Problem zu beheben
- Press **START** key again and Close the Keypad Window
- Der Landroid®L beginnt jetzt mit dem Mähen!

### 3.3 Welche Fläche kann mein Landroid®L mähen?

Ihr Landroid®L kann Flächen unterschiedlicher Größen mähen; die exakte Fläche hängt natürlich von verschiedenen Faktoren ab – beispielsweise:

- Art und Wachstumsgeschwindigkeit des Grases
- Schärfe der Messer (17)
- Feuchtigkeit
- Umgebungstemperatur
- Art und Anzahl der Hindernisse im oder auf dem Rasen

Bei sehr niedrigen Umgebungstemperaturen benötigt Ihr Landroid®L eventuell etwas mehr Zeit zum Aufladen. Auf offenen Flächen mit nur wenigen Hindernissen wie Blumenbeeten, Springbrunnen, Gehwegen und dergleichen verbraucht der Landroid®L weniger Energie.

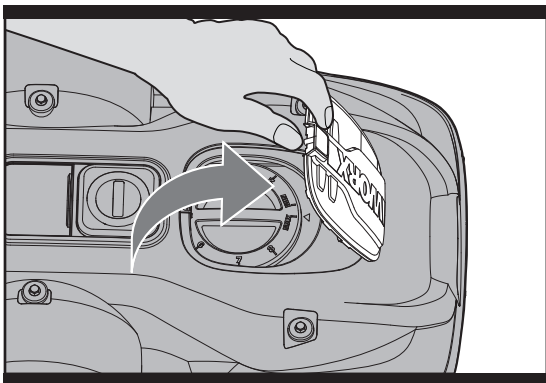
Sie finden die Standard-Arbeitszeit des Landroid®L für unterschiedliche Rasenflächen im Programmierungshandbuch. Die Mähdauer fällt wegen der oben erwähnten Faktoren je nach Rasen unterschiedlich aus. Experimentieren Sie ein wenig mit der Zeit, die Sie Ihrem Landroid®L täglich zum Mähen zugestehen, bis Sie die perfekte Vorgabe gefunden haben.

### 3.4 Wie gut mäht der Landroid®L das Gras?

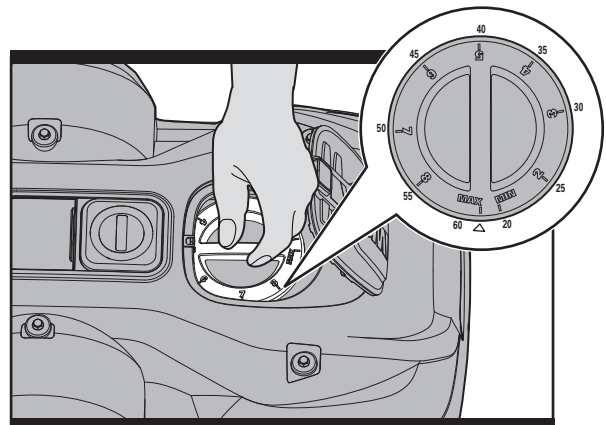
Die Schnitthöhe des Landroid®L lässt sich zwischen 2 und 6 cm einstellen. Bevor Sie Ihren Landroid®L zum ersten Mal starten, sollten Sie das Gras auf eine Höhe von nicht mehr als 9 cm schneiden. Achten Sie dann darauf, Die ABDECKUNG DER GRAS-SCHNITTHÖHENEINSTELLUNG (6) zu öffnen und die Schnitthöhe auf die Maximalhöhe von 6 cm einzustellen. (Siehe Abbildungen F, G)

Ihr Landroid®L mäht am Besten bei trockenem Wetter. Er mag kein nasses Gras, das sich in der Messerdrehscheibe (16) und im Motor ansammeln kann und beim Arbeiten außerdem Beschleunigungskräfte und Schlüpfrigkeit verursachen kann.

Ihr Landroid®L fürchtet Gewitter. Schützen Sie den Landroid®L bei Gewittern, indem Sie den Stecker der Ladebasis (3) ziehen, das Begrenzungskabel (23) trennen und dafür sorgen, dass sich der Landroid®L nicht aufladen kann.



F



G



Ihr Landroid®L mäht gerne Gras und benötigt zum optimalen Schneiden Schneidmesser (17), die sich in einwandfreiem Zustand befinden. Der Landroid®L kann eine Menge Dinge ganz allein erledigen – allerdings benötigt er manchmal Ihre Hilfe, damit er sich nicht selbst verletzt.

- Lassen Sie den Landroid®L niemals über Kies fahren.
- Entfernen oder blockieren Sie Hindernisse, an denen der Landroid®L ersehen hochklettern und seine Messerscheibe beschädigen könnte.
- Befreien Sie Ihren Rasen von sämtlichen Abfällen und Fremdkörpern.

## 4. Smartphone-Steuerung

Ihr Landroid®L(WG797E) kann mit einem Smartphone gekoppelt werden. Alle allgemeinen Einstellungen können auf Ihrem Telefon erfolgen. Es kann auch den allgemeinen Betriebsstatus und sogar Fehlermeldungen anzeigen. Detaillierte Einstellungen finden Sie im Landroid®L -Leitfaden zur WLAN-Verbindung.

## 5. Grundlegendes Zum Begrenzungskabel

### 5.1 Begrenzungskabel Abstecken

Verwenden Sie den Messer des Begrenzungsdrahtabstandes (26), um den richtigen Abstand von Ihrem Rasenrand (mehr als 45cm \*) einzustellen.

\* Das ist der empfohlene Abstand. Verwenden Sie das mitgelieferte Messgerät, um eine ordentliche Installation zu garantieren. Falls Ihr Nachbar auch einen Landroid®L benutzt, müssen Sie zwischen Ihrem Begrenzungsdraht und dem des Nachbarn einen Abstand von mindestens 3 Metern halten.

Bitte achten Sie darauf, dass Ihr Landroid®L kein Signal vom Begrenzungsdraht jenseits eines Abstands von 25m erhält.

**Das Begrenzungskabel muss die Fläche, die gemäht werden soll, exakt umschließen.** Ihr Landroid®L kommt durcheinander, wenn er auf zusätzliche Biegungen oder Windungen des Grenzkabels stößt, die nicht zur Mähfläche gehören (siehe Abbildung H). Wenn nach dem Umschließen der Mähfläche noch Begrenzungskabel übrig sein sollte, schneiden Sie das überschüssige Stück ab und lagern es separat. Vergessen Sie aber nicht, beim Abschneiden ein kleines Stück zum Anschluss an die Ladestation zu verschonen, damit der Anschluss möglich ist, ohne wieder einen Teil des Kabels ausgraben zu müssen.

### 5.2 Begrenzungskabel eingraben

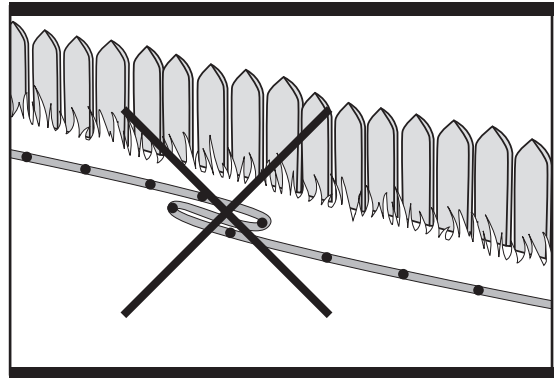
Wenn Sie das Begrenzungskabel eingraben möchten, sollten Sie bedenken: Es kann vorkommen, dass der Landroid®L bei seinem ersten Ausflug in seinem neuen Umfeld auf Schwierigkeiten stößt, die Sie beim Verlegen des Begrenzungskabels nicht bedacht haben. Es wird empfohlen, dass Sie zuerst den Begrenzungsdraht im Rasen festpflocken, damit Sie gegebenenfalls leicht Einstellungen vornehmen können. Dadurch kann sich der Landroid®L an seine neue Umgebung gewöhnen und es wird sichergestellt, dass er erfolgreich mit der Ladestation arbeitet, bevor der Begrenzungsdraht eingegraben wird.

Wenn Sie den Begrenzungsdraht fertig installiert haben, wird empfohlen, dass Sie dem Landroid®L befehlen, dem Begrenzungsdraht zu folgen, indem Sie die Home-Taste drücken.

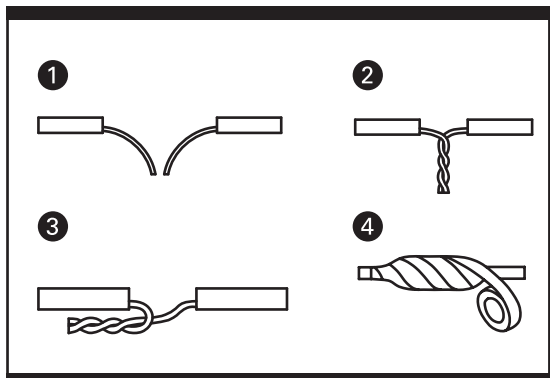
Wenn Sie zusehen, wie der Landroid®L die Ladestation ansteuert, können Sie Änderungen an der Route des Begrenzungsdrahts vornehmen, um für ein störungsfreies Verfolgen des Begrenzungsdrahts durch den Landroid®L zu sorgen, wenn dieser die Ladestation ansteuert.

### 5.3 Begrenzungskabel verbinden

Des Begrenzungskabel (23) lässt sich problemlos verlängern, indem Sie die Enden aufspießen (also „auseinanderdröseln“) und mit den Enden eines weiteren Kabels verbinden. Die Verbindungsstelle können Sie mit wasserfestem Klebeband sichern. (Siehe Abbildung I)



H



I

## 5.4 Einschalten und Installation testen

Wenn die Ladeanzeige nicht aufleuchtet, sind die Stromverbindungen zu überprüfen.

Wenn die LED auf Ihrer Landroid®L Ladestation grün blinkt, prüfen Sie, ob der Begrenzungsdraht gut angeschlossen oder durchgeschnitten ist.

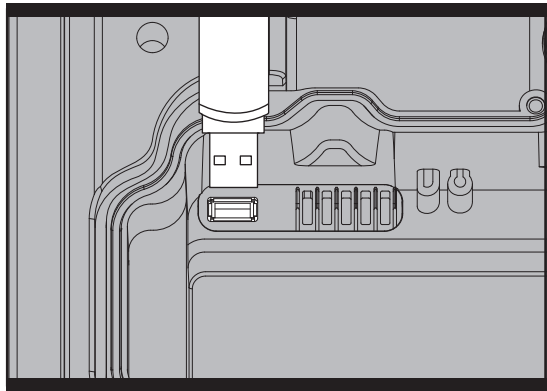
Rot an :Akku wird geladen.

Rotes Licht blinkt: Fehleranzeige, bitte unter Störungsbehebung nachsehen und Problem beheben.

Grünes Licht blinkt: Überprüfen Sie, ob der Begrenzungsdraht richtig angeschlossen ist.

Wenn das grüne Licht auf der Ladestation aufleuchtet, platzieren Sie Ihren Landroid®L über den Begrenzungsdraht; falls der Landroid®L dem Begrenzungsdraht folgt, ist er richtig angeschlossen.

Wenn Ihr Landroid®L innerhalb seines Bereichs ist, aber im Display wird "außerhalb des Schneidbereichs" angezeigt und die LED ist eingeschaltet, bedeutet dies, dass Sie die Enden des Begrenzungsdrahtes falsch geklemmt haben. Einfach umdrehen.



J1

## 6. Softwareaktualisierung

Ihre Landroid®L -Software kann aktualisiert werden, wenn neue Versionen verfügbar sind. Die Softwareversion wird im Display dargestellt. Das beiliegende Handbuch basiert auf der Standardsoftware in der Massenproduktion. Einige neue Merkmale/ Funktionen der neuen Version sind in dem Handbuch möglicherweise nicht vorhanden. Wenn Sie Einstellungen finden, die im Handbuch nicht vorhanden sind, besuchen Sie [www.worxlandroid.com](http://www.worxlandroid.com), um das aktuellste Handbuch herunterzuladen. Sie können die auf Ihrer Maschine installierte Software-Version durch Drücken der Taste ON/ OFF überprüfen.

Die aktuellste Software kann auf unserer Website heruntergeladen werden – siehe nachfolgende Anweisungen zum Download und zur Installation;

Schritt 1: Sie finden die aktuellste Software unter:

[www.worxlandroid.com](http://www.worxlandroid.com).

Kopieren Sie die „\*.bin“-Datei, die die aktuellste Software-Version enthält, auf einen USB-Stick. Hinweis: Stellen Sie vor dem Übertragen der „.bin“-Datei sicher, dass der USB-Stick keine anderen Dateien oder Daten enthält.

Schritt 2: Öffnen Sie die Abdeckung auf der Unterseite, entfernen Sie den Akku und führen Sie dann die U-Scheibe in den USB-Anschluss ein. (siehe Abbildung J1)

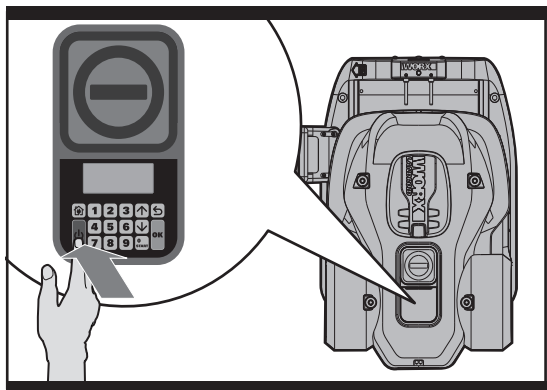
Schritt 3: Legen Sie das Akkupack ein, und drücken Sie die Taste ON/ OFF 10 Sekunden lang, bis der Rasenmäher eingeschaltet wird. Die neue Software-Version wird in der unteren rechten Ecke des Displays eingeblendet. (siehe Abbildung J2)

Schritt 4: Entfernen Sie den USB-Stick, und bringen Sie die Batterieabdeckung wieder an.

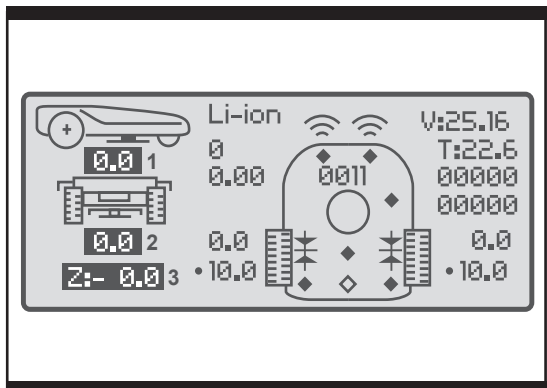
Schritt 5:

Wenn Sie die neue Software installiert haben, müssen Sie die Diagnoseanzeige auf Ihrem Rasenmäher zurücksetzen. Stellen Sie den Rasenmäher zuerst auf einem horizontalen Untergrund ab.

Drücken Sie die Taste „2“, um die Diagnoseschnittstelle aufzurufen. Drücken Sie dann die Taste „5“ für einige Sekunden, bis die drei nachfolgend hervorgehobenen Zahlen 1, 2 und 3 auf Null zurückgesetzt werden. (siehe Abbildung J3)



J2



J3

## 7. Wartung

Ihr Landroid®L muss hin und wieder überprüft werden. Der Landroid®L arbeitet hart und verdient daher von Zeit zu Zeit eine ordentliche Reinigung oder einen Austausch von Verschleißteilen. In Folgenden möchten wir Ihnen erklären, wie Sie Ihren neuen Landroid®L am besten an sein neues Umfeld gewöhnen und ihm die Pflege zukommen lassen, die er verdient.

## 7.1 Immer schön scharf



**WARNUNG:** Schalten Sie Ihren Landroid®L mit der Ein-/Austaste ab, ziehen Sie Schutzhandschuhe über, bevor Sie den Landroid®L reinigen, einstellen oder die Messer auswechseln!



**WARNUNG!** Beim Austauschen der Messer ist darauf zu achten, dass beim Austausch ALLE Messer auf einmal ersetzt werden. Falls neue Messer mit gebrauchten Schrauben fixiert werden, können Schrauben beim Mähen verschleißen und bewirken, dass sich die Messer lösen und mit Wucht vom Mäher geschleudert werden. Dies kann zu schweren Verletzungen führen.

Der Landroid®L schneidet Gras nicht wie andere Rasenmäher. Seine Messer (17) sind an allen vier Kanten rasiermesserscharf und wirbeln zum perfekten Schnitt in beide Richtungen. (Siehe Abbildung K)

Jedes Messer Ihres Landroid®L ist mit vier Schneiden ausgestattet. Je nachdem, wie häufig der Landroid®L Ihren Rasen mäht, müssen die Messer früher oder später gedreht/umgedreht werden, damit eine neue Schneide ihre Arbeit aufnehmen kann. Falls Ihr Landroid®L den Rasen täglich mäht, sollten Sie die Messer monatlich drehen, damit die Leistung nicht nachlässt. Die einzelnen Messer halten bis zu vier Monate, wenn täglich gemäht wird. Wenn die Messer stumpf und verschlissen sind, sollten sie durch die Ersatzmesser ersetzt werden, die mit Ihrem Landroid®L geliefert wurden. Ersatzmesser erhalten Sie auch beim WORX-Händler in Ihrer Nähe.

### A. Messer drehen und umdrehen

Ihr Landroid®L arbeitet mit Messern, die allesamt mit der Messerscheibe (16) verschraubt sind. Die Messer braucht der Landroid®L mehr als alles andere, um seinen Job gut zu erledigen – daher brauchen diese auch etwas Pflege und Aufmerksamkeit. Hin und wieder sollten Sie alle Messer drehen und umdrehen, damit die Schnittleistung möglichst lange erhalten bleibt. Beim Drehen und Umdrehen der Messer beachten Sie unbedingt, dass Sie sämtliche Messer gleichzeitig drehen und umdrehen müssen, damit die Messerscheibe nicht ihre Balance verliert. Falls Sie Ihren Landroid®L täglich einsetzen, sollten die Messer eine ganze Saison lang halten, wenn sie monatlich gedreht und umgedreht werden. Schauen Sie immer nach, ob die Messer angeschlagen oder anderweitig beschädigt sind; falls ja, wechseln Sie die Messer aus.

### B. Messer austauschen (Siehe Abbildung L)

Nach einer Weile (normalerweise einmal pro Saison) müssen die Messer Ihres Landroid®L komplett ausgewechselt werden. Ihr Landroid®L mäht nicht gerne mit Messern unterschiedlichen Alters und unterschiedlicher Qualität. Tauschen Sie also unbedingt immer alle Messer auf einmal aus. Zum Austausch können Sie einen der drei Ersatzmessersätze und die zusätzlichen Messerschrauben verwenden, die mit Ihrem Landroid®L geliefert wurden.

Bevor Sie versuchen, die Messer Ihres Landroid®L s auszutauschen, müssen Sie das Gerät ausschalten und Schutzhandschuhe anziehen! Dann führen Sie diese Schritte aus:

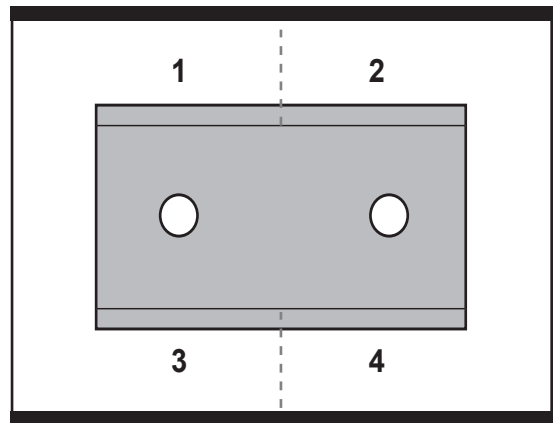
1. Drehen Sie den Landroid®L sanft auf den Rücken.
2. Entfernen Sie die Batterieabdeckung und entnehmen Sie den Akku.
3. Lösen Sie die Messerschrauben mit einem Schlitz- oder schraubendreher.
4. Schrauben Sie die neuen Messer gut fest.
5. Setzen Sie den Akku ein, und bringen Sie die Batterieabdeckung wieder an.

**WICHTIG:** Überzeugen Sie sich nach dem Verschrauben der Messer, dass sich diese frei drehen lassen.

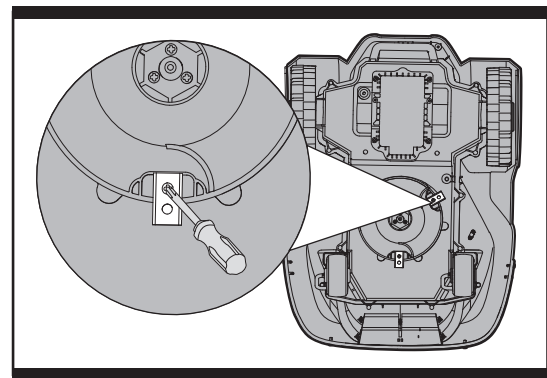
## 7.2 Sauber halten



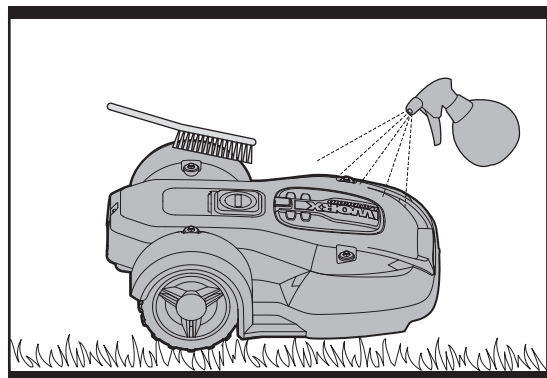
**WARNUNG!** Vor dem Reinigen schalten Sie Ihren Landroid®L unbedingt mit der Ein-/Austaste aus! Ziehen Sie Schutzhandschuhe über, bevor Sie die Messerscheibe (16) reinigen; nutzen Sie dazu kein fließendes Wasser. (Siehe Abbildung M)



K



L



M

## A. Gehäuse reinigen

Ihr Landroid®L fühlt sich deutlich wohler und lebt länger, wenn Sie ihn regelmäßig reinigen. Da Ihr Landroid®L im Grunde ein Elektrogerät ist, müssen Sie beim Reinigen mit einer gewissen Sorgfalt vorgehen - verwenden Sie deshalb KEINEN Schlauch oder Hochdruckreiniger bzw. ertränken Sie Ihren Landroid®L nicht mit fließendem Wasser; greifen Sie am besten zu einer mit Wasser gefüllten Sprühflasche. Verwenden Sie beim Reinigen des Maschinengehäuses eine weiche Bürste und vermeiden Sie den Gebrauch von Lösungsmitteln oder Polituren. (Siehe Abbildung M) Stellen Sie schließlich sicher, dass Sie alle Ansammlungen von Grasabfällen und -resten entfernt haben.

## B. Reinigen der Unterseite

Nicht vergessen, ganz wichtig: Schalten Sie den Landroid®L mit der Ein-/Austaste aus, ziehen Sie Schutzhandschuhe über, bevor Sie die Messerscheibe (16) berühren!

Drehen Sie zuerst Ihren Landroid®L um, so dass die Unterseite exponiert wird.

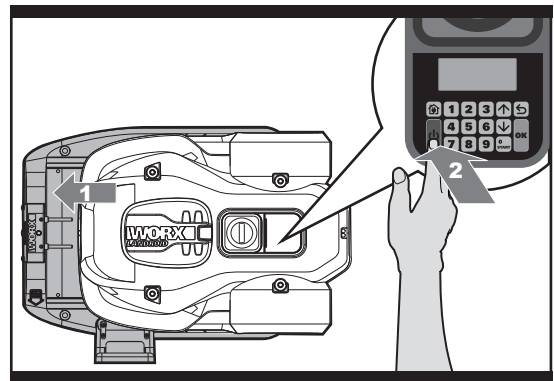
Nun sehen Sie die Messerscheibe (14), das Hauptgehäuse (14) sowie die Vorderräder (18) und Antriebsräder (11). Reinigen Sie alles gründlich mit einer weichen Bürste oder mit einem feuchten Lappen

Drehen Sie das Schneidrad um sicherzustellen, dass es frei dreht. Prüfen Sie, dass sich die Klingen problemlos um die Befestigungsschrauben drehen. Beseitigen Sie alle Hindernisse.

**WICHTIG: Entfernen Sie sämtliche (auch die kleinsten) Rückstände, damit es nicht zu Rissen in der Messerscheibe kommt. Auch der winzigste Riss kann die Mähleistung Ihres Landroid®L beeinträchtigen.**

## C. Kontakte und Ladestreifen reinigen

Reinigen Sie die Kontakte (2) an der Ladebasis (3) und den Ladestreifen (5) am Landroid®L mit einem Tuch. Entfernen Sie sämtliche Grasreste und sonstige Rückstände rund um die Kontakte und Ladestreifen regelmäßig, damit sich der Landroid®L stets problemlos aufladen kann.



N

## 7.3 Akkulaufzeit und -haltbarkeit

Das Herzstück des Landroid®L ist sein 28 V-Lithiumbatterie. Keine Wartung ist notwendig. Für eine ordnungsgemäße Lagerung des Akkus ist sicherzustellen, dass er voll aufgeladen an einem kühlen, trockenen Ort zwischen (20°C-60°C) aufbewahrt wird.

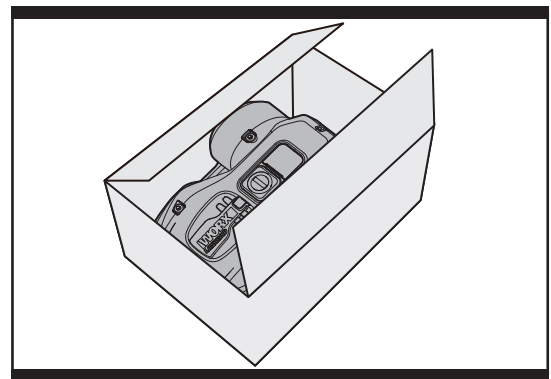
Die Lebenserwartung des Landroid®L-Akkus hängt von unterschiedlichen Faktoren ab; beispielsweise (siehe Abbildung N) :

- Dauer der Schönwettersaison (der „Mähseason“) an Ihrem Wohnort.
- Landroid®L-Arbeitsstunden pro Tag.
- Art und Weise der Akkulagerung.

Landroid®L kann ohne den Begrenzungsdraht manuell aufgeladen werden. (Siehe Abbildung N).

**So laden Sie den Akku manuell auf, ohne den Begrenzungsdraht mit der Ladestation zu verbinden:**

- 1. Schließen Sie die Ladestation an eine geeignete Stromversorgung an.**
- 2. Docken Sie den Landroid®L manuell an die Ladestation an, während der Landroid®L ausgeschaltet ist.**
- 3. Die rote LED auf der Ladestation leuchtet auf.**
- 4. Drücken Sie die EIN/AUS-Taste des Landroid®L innerhalb von 3 Sekunden und bevor die LED auf der Ladestation auf Grün wechselt.**
- 5. Schließen Sie das Tastaturfenster, und der Landroid®L beginnt mit dem Ladevorgang.**



O

## 7.4 Überwintern

Ihr Landroid®L lebt länger und gesünder, wenn Sie ihm einen wohlverdienten Winterschlaf gönnen. Obwohl der Landroid®L ein zäher Bursche ist, sollten Sie ihm im Winter einen Platz im Schuppen oder in der Garage zugestehen.

Bevor Sie Ihren Landroid®L in den Winterschlaf entlassen, sollten Sie noch Folgendes erledigen:

- Reinigen Sie Ihren Landroid®L gründlich
- Laden Sie den Akku komplett auf
- Schalten Sie das Gerät ab

Der Akku sollte im Winter zusätzlich einmal voll geladen werden, damit er zu Beginn der nächsten Saison wieder mit vollen Kräften zur Verfügung steht.

Lagern Sie den Landroid®L an einem vor Witterungseinflüssen geschützten Ort flach auf seinen vier Rädern stehend. Wir empfehlen, den Landroid®L in seinem Originalkarton zu lagern. Am besten bringen Sie Ladebasis, Niederspannungskabel (4) und Netzteil (22) im Winter ebenfalls an einer vor Witterungseinflüssen geschützten Stelle unter. (siehe Abbildung O) Das Begrenzungskabel kann im Boden verbleiben; seine Enden sollten Sie jedoch vor der Witterung schützen – zum Beispiel, indem Sie ein mit Fett gefülltes Döschen darüber stülpen. Falls die Ladebasis im Winter draußen verbleibt, lassen Sie das Begrenzungskabel angeschlossen.

**HINWEIS:** Wenn Sie den Landroid®L wieder aus seinem Winterschlaf erwecken, sorgen Sie dafür, dass die Ladestreifen (5) und die Kontaktstreifen (2) gründlich sauber sind; dies können Sie mit feinem Schleifpapier erledigen. Überzeugen Sie sich dann davon, dass Datum und Uhrzeit stimmen; anschließend lassen Sie den Landroid®L wieder das tun, was er am liebsten mag: Mähen!

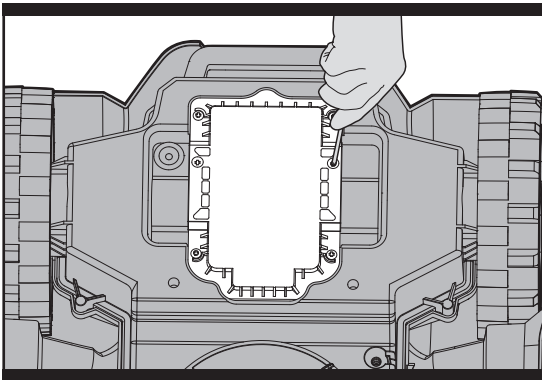
## 7.5 Akku austauschen



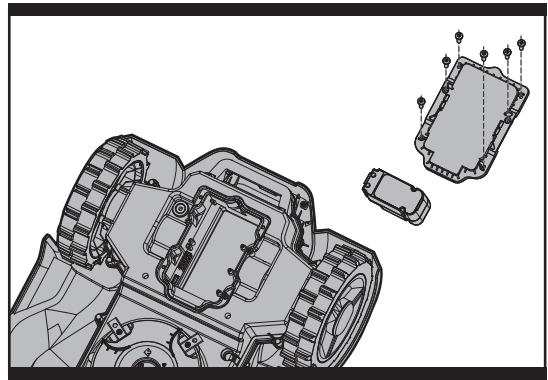
**WARNUNG: Schalten Sie das Gerät unbedingt mit der Ein-/Austaste aus, bevor Sie sich Einstellungen, Austausch oder Reparatur zuwenden!**

Wenn der Akku ausgetauscht werden muss, erledigen Sie dies mit den folgenden Schritten:

1. Drehen Sie Ihren Landroid®L sanft auf den Rücken.
2. Lösen Sie die sechs Schrauben am Akku. (Siehe Abbildung P)
3. Nehmen Sie den alten Akku heraus. (Siehe Abbildung Q)
4. Legen Sie den neuen Akku ein.
5. Ziehen Sie die sechs Schrauben wieder fest an.




**P**



**Q**

## UMWELTSCHUTZ

 Schadhafte und/ oder entsorgte elektrische oder elektronische Geräte müssen an den dafür vorgesehenen Recycling-Stellen abgegeben werden. Wir möchten Sie daher bitten, uns mit Ihrem aktiven Beitrag beim Umweltschutz zu unterstützen und dieses Gerät bei den Wertstoff-/ Recycling-Sammelstellen abzugeben. Bitte erkundigen Sie sich bei der örtlichen Behörde oder beim Vertragshändler über Müllsammlung und -Entsorgung.

# NOTICE ORIGINALE

## TABLE DES MATIÈRES

<b>1. INSTRUCTIONS DE SÉCURITÉ</b>	<b>31</b>
1.1 Mises en garde générales et complémentaires	31
1.2 Informations sur le Landroid®L	33
<b>2. Liste des composants</b>	<b>34</b>
<b>3. Principe de fonctionnement du Landroid®L</b>	<b>36</b>
3.1 Comment mon Landroid®L peut-il savoir quels endroits il est censé tondre?	36
3.2 Comment mon Landroid®L peut-il savoir où il est censé aller?	37
A. Recherche du socle de recharge	37
B. Capteurs pluviométriques	37
C. Détection du fil-barrière	37
D. Démarrage et arrêt au cours du travail	37
3.3 Quelle superficie maximale mon Landroid®L est-il capable de tondre?	38
3.4 Quel sera le degré d'efficacité du travail de mon Landroid®L?	38
<b>4. Contrôle par smartphone</b>	<b>39</b>
<b>5. Principe de fonctionnement du fil-barrière</b>	<b>39</b>
5.1 Pose du fil-barrière	39
5.2 Enterrement du fil-barrière	39
5.3 Liaison du fil-barrière	39
5.4 Mise en marche et test d'installation	40
<b>6. Mise à jour du logiciel</b>	<b>40</b>
<b>7. Entretien</b>	<b>40</b>
7.1 Affûtage	41
A. Rotation et retournement des lames	41
B. Changement des lames	41
7.2 Nettoyage	41
A. Nettoyage du boîtier	41
B. Nettoyage du dessous de la machine	42
C. Nettoyez les broches de contact et les bandes de chargement	42
7.3 Durée de vie de la batterie	42
7.4 Hibernation	42
7.5 Changement de la batterie	43

# 1. Instructions de Sécurité

## 1.1 Mises en garde générales et complémentaires

 **ATTENTION: Lisez toutes les mises en garde et toutes les instructions.** Le non-respect des mises en garde et des instructions peut être à l'origine d'électrocutions, d'incendies et/ou de blessures graves.

**Lisez attentivement le manuel d'utilisation afin d'utiliser l'appareil d'une manière sécurisée.**

**Gardez le mode d'emploi et les mises en garde pour pouvoir vous y référer ultérieurement.**

- Cet appareil n'est pas conçu pour être utilisé par des personnes aux capacités physiques, mentales, sensorielles réduites, ou manquant d'expérience et de connaissances (y compris les enfants), sauf si une personne responsable de leur sécurité leur a donné les indications nécessaires ou les surveille pendant l'utilisation.
- Il convient de surveiller les enfants pour s'assurer qu'ils ne jouent pas avec l'appareil.
- L'appareil ne doit être utilisé qu'avec l'alimentation fournie avec celui-ci.

### IMPORTANT

**LISEZ ATTENTIVEMENT LE MODE D'EMPLOI AVANT D'UTILISER L'APPAREIL**

**CONSERVEZ-LE POUR RÉFÉRENCE ULTÉRIEURE**

### PRATIQUES DE TRAVAIL SÛRES

#### Apprentissage

- a) Lisez attentivement le mode d'emploi. Vous devez impérativement comprendre les instructions et vous familiariser avec les contrôles et le mode d'utilisation de l'appareil.
- b) Ne laissez en aucun cas l'appareil à un enfant ou à une personne n'ayant pas pris connaissance du mode d'emploi. Les réglementations locales définissent parfois des limites d'âge pour l'utilisateur.
- c) L'utilisateur est responsable des accidents et des dommages causés à d'autres personnes ou à leurs biens.

#### Préparation

- a) Veillez à ce que le câble périphérique soit correctement installé en suivant les instructions.
- b) Inspectez régulièrement la zone où l'appareil doit être utilisé et enlevez toutes les pierres, tous les bâtons, câbles, os et autres objets étrangers.
- c) Procédez régulièrement à un examen visuel des lames, des boulons de lame et de l'unité de coupe pour vous assurer qu'ils ne sont ni usés, ni endommagés. Afin de préserver l'équilibre de la machine, changez toujours les lames et leurs boulons en même temps.
- d) Sur les appareils comportant plusieurs arbres, veuillez noter que la rotation d'une lame peut entraîner la rotation des autres lames.
- e) ATTENTION: Ne faites jamais fonctionner l'appareil si l'une de ses protections est défectueuse ou si l'un de ses dispositifs de sécurité n'est pas en place.

### UTILISATION

#### 1. GÉNÉRALITÉS

- a) Ne faites jamais fonctionner l'appareil si l'une de ses protections est défectueuse ou si l'un de ses dispositifs de sécurité n'est pas en place (ex: les déflecteurs).
- b) N'approchez jamais les mains ou les pieds des parties rotatives, et ne les mettez jamais sous l'appareil. Ne vous mettez jamais en travers de l'ouverture d'évacuation.
- c) Ne soulevez jamais et ne portez jamais une tondeuse dont le moteur est en marche.
- d) Actionnez le dispositif de désactivation de l'appareil.
  - Avant de le débloquer;
  - Avant d'inspecter, de nettoyer ou de travailler sur l'appareil.
- e) Il n'est pas permis de modifier le design d'origine du robot tondeuse. Toute modification effectuée est à vos risques et périls.
- f) Démarrer la tondeuse à gazon robotique conformément aux instructions. Lorsque la touche d'alimentation est allumée, veillez à garder vos mains et pieds loin des lames pivotantes. Ne jamais mettre vos mains ou pieds sous la tondeuse.
- g) Ne jamais soulever la tondeuse à gazon robotique ou la porter tant que la touche d'alimentation est allumée.
- h) Ne laissez en aucun cas la tondeuse à une personne non familiarisée avec l'appareil et son mode d'utilisation.
- i) Ne posez jamais des objets sur le robot ou sur le socle de recharge.
- j) Ne faites jamais fonctionner le robot si le boîtier ou l'une des lames sont endommagés. L'appareil ne doit pas être utilisé si les lames, les vis, les écrous ou les câbles sont endommagés.
- k) Toujours éteindre la tondeuse à gazon robotique lorsque vous n'avez pas l'intention de l'utiliser. La tondeuse à gazon robotique ne peut démarrer que lorsque la touche d'alimentation est allumée et que le code PIN correct a été saisi.

#### 2. MISE EN GARDE COMPLÉMENTAIRE EN CAS DE FONCTIONNEMENT AUTOMATIQUE

- a) Ne laissez pas la machine fonctionner sans surveillance si vous savez que des personnes (notamment des enfants) ou des animaux domestiques se trouvent à proximité.

## ENTRETIEN ET RANGEMENT



**AVERTISSEMENT ! Lorsque la tondeuse est retournée, la touche d'alimentation doit toujours être éteinte.**

**La touche d'alimentation doit être éteinte pendant tous les travaux sur le châssis de base de la tondeuse, tels que le nettoyage ou le remplacement des lames.**

- a) Veillez à ce que tous les écrous, vis et boulons soient bien serrés, afin de vous assurer que l'appareil reste en bon état de marche.
- b) Inspectez le robot tondeuse régulièrement et, par sécurité, remplacez toute pièce usée ou endommagée.
- c) Assurez-vous que les lames et le disque de coupe ne sont pas endommagés. Afin d'assurer l'équilibre des pièces rotatives, changez toujours les lames et les vis en même temps.
- d) Les accessoires de coupe de rechange doivent impérativement être du même type que ceux d'origine.
- e) Rechargez toujours la batterie avec le chargeur fourni par le fabricant. Toute utilisation incorrecte peut être à l'origine d'un choc électrique, d'une surchauffe ou d'une fuite du liquide corrosif de la batterie.
- f) En cas de fuite d'électrolyte et de contact avec les yeux, rincez abondamment avec de l'eau ou un agent neutralisant et appelez les urgences.
- g) Toute réparation sur l'appareil doit s'effectuer d'une manière conforme aux instructions du fabricant.

### Déplacer l'appareil

Utilisez l'emballage d'origine pour transporter le robot sur de longues distances.

Pour déplacer l'appareil de ou vers la zone de travail en toute sécurité:

- a) Appuyez sur le bouton STOP pour arrêter la tondeuse.
- b) Vous choisissez un code PIN à quatre chiffres lorsque vous démarrez la tondeuse pour la première fois.
- c) Toujours éteindre la tondeuse à gazon robotique si lorsque vous avez l'intention de la porter.
- d) Portez la tondeuse en la tenant par la poignée située à l'arrière, en dessous. Tenez la tondeuse avec le disque de coupe du côté opposé à vous.



**Mises en garde concernant la batterie**

- a) La batterie et les piles secondaires ne doivent pas être ouvertes, démontées ou broyées.**
- b) La batterie ne doit pas être court-circuitée. Évitez de mettre la batterie en vrac dans une boîte ou dans un tiroir où elles risqueraient de se court-circuiter entre elles ou au contact d'autres objets métalliques.** Après usage, évitez tout contact de la batterie avec d'autres objets métalliques de petite taille (trombones, pièces, clés, clous, vis etc.) susceptibles de court-circuiter les pôles. Un court-circuit entre les pôles de la batterie peut être à l'origine de brûlures ou d'un incendie.
- c) La batterie ne doit pas être exposée au feu et à la chaleur. Évitez de la ranger à la lumière du soleil.**
- d) La batterie et les piles ne doivent pas être soumises à des chocs mécaniques.**
- e) En cas de fuite des piles, évitez tout contact du liquide avec la peau et les yeux. En cas de contact, rincez abondamment la surface touchée avec de l'eau et appelez les urgences.**
- f) En cas d'ingestion d'une pile ou d'une batterie, appelez immédiatement les urgences.**
- g) La batterie et les piles doivent rester propres et sèches.**
- h) La batterie et les piles fonctionnent au mieux de leur capacité dans une température ambiante normale, comprise entre +15°C et +25°C environ.**
- i) Les batteries fonctionnant avec des systèmes électrochimiques différents doivent être mis au rebut séparément.**
- j) N'utilisez pas d'autre chargeur que celui spécifié par WORX. N'utilisez pas d'autre chargeur que celui spécifiquement fourni avec l'appareil.** Un chargeur destiné à un type de batterie donné peut être à l'origine d'un incendie s'il est utilisé avec une autre batterie.
- k) N'utilisez en aucun cas une batterie autre que celle prévue pour cet appareil.**
- l) La batterie doit être tenue hors de portée des enfants.**
- m) Gardez la documentation d'origine du produit afin de pouvoir vous y référer ultérieurement.**
- n) Respectez les procédures de mise au rebut.**



## 1.2 Informations sur le Landroid® L



ATTENTION –Ce ROBOT TONDEUSE peut être dangereux s'il est utilisé de manière incorrecte.

Avant d'utiliser le ROBOT TONDEUSE pour la première fois, vous devez avoir lu et compris le contenu dans son intégralité.



ATTENTION - Restez à distance de la machine pendant qu'elle fonctionne.



ATTENTION – Éteignez la machine avant de la manipuler ou de la soulever.



ATTENTION – Ne pas s'asseoir sur la machine.



Ne pas jeter au feu



Les batteries peuvent entrer dans le cycle de l'eau si elles sont éliminées de façon inappropriée, ce qui peut être dangereux pour l'écosystème. Ne pas éliminer les batteries usagées comme un déchet municipal non trié.



Li-Ion

Les piles doivent être recyclées. Ne jetez pas les piles usagées avec les ordures ménagères.



Li-Ion

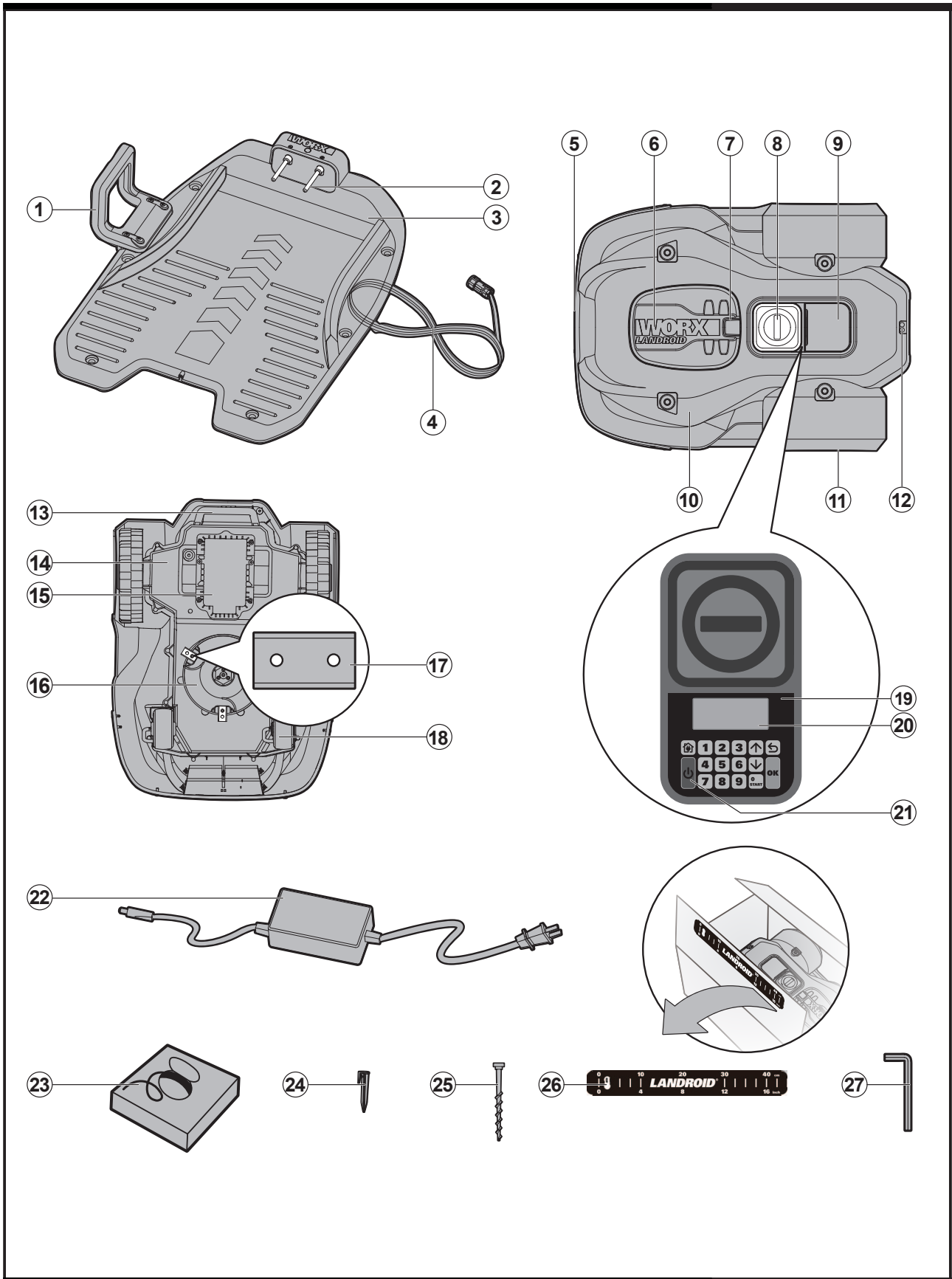


Ne lavez pas la machine avec un nettoyeur à haute pression



Les produits électriques usagés ne doivent pas être jetés avec les ordures ménagères. Apportez le produit à un endroit où il pourra être recyclé. Pour plus d'informations sur le recyclage, adressez-vous au magasin d'achat ou aux autorités de votre commune.

## 2. Liste des composants



- 
- 1. POIGNÉE**

---

  - 2. BROCHES DE CONTACT**

---

  - 3. SOCLE DE RECHARGE**

---

  - 4. CÂBLE BASSE TENSION**

---

  - 5. BORNES DE RECHARGE**

---

  - 6. COUVERCLE DU SYSTÈME DE RÉGLAGE DE HAUTEUR DE COUPE**

---

  - 7. POINT D'ACCÈS- POUR OUVRIR LE COUVERCLE DU RÉGLAGE EN HAUTEUR**

---

  - 8. BOUTON D'ARRÊT**

---

  - 9. COUVERCLE DU CLAVIER**

---

  - 10. PLATEAU LANDROID**

---

  - 11. ROUE MOTRICE ARRIÈRE**

---

  - 12. CAPTEUR PLUVIOMÉTRIQUE**

---

  - 13. POIGNÉE**

---

  - 14. BOÎTIER PRINCIPAL - CONTIENT LE MOTOR, LES COMPOSANTES ÉLECTRONIQUES ET LA BATTERIE**

---

  - 15. BATTERIE**

---

  - 16. DISQUE DE COUPE ROTATIF**

---

  - 17. LAMES DE COUPE**

---

  - 18. ROUE AVANT**

---

  - 19. CLAVIER**

---

  - 20. ÉCRAN**

---

  - 21. BOUTON MARCHE/ARRÊT**

---

  - 22. ADAPTATEUR D'ALIMENTATION**

---

  - 23. FIL-BARRIÈRE**

---

  - 24. CHEVILLES MÉTALLIQUES**

---

  - 25. CLOUS DE FIXATION DE LA BASE DE CHARGE**

---

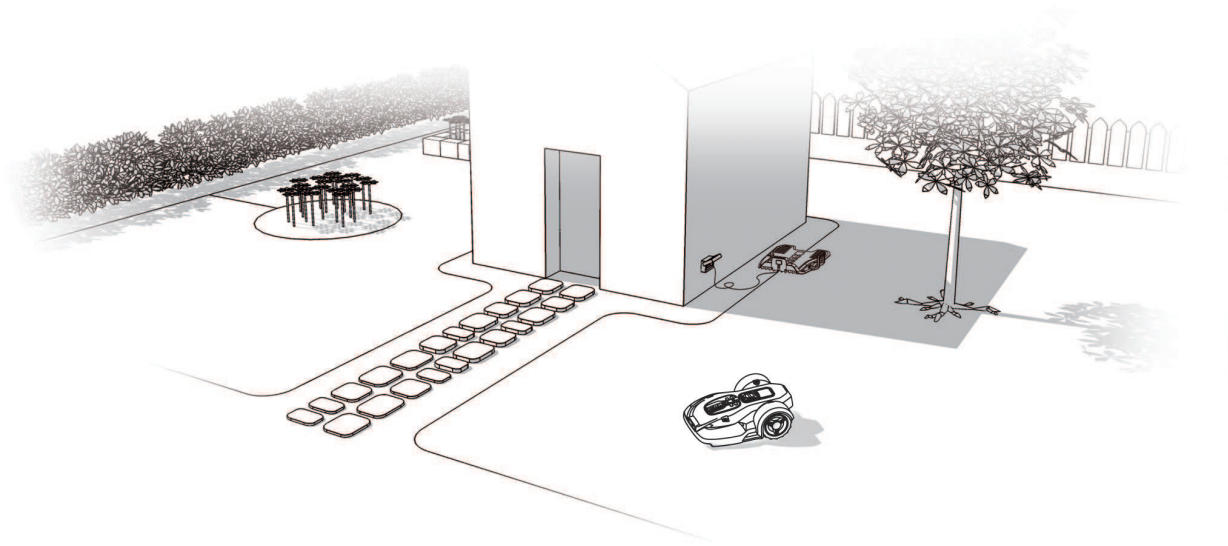
  - 26. JAUGE DE DISTANCE DU FIL-BARRIÈRE**

---

  - 27. CLEF ALLEN**
-

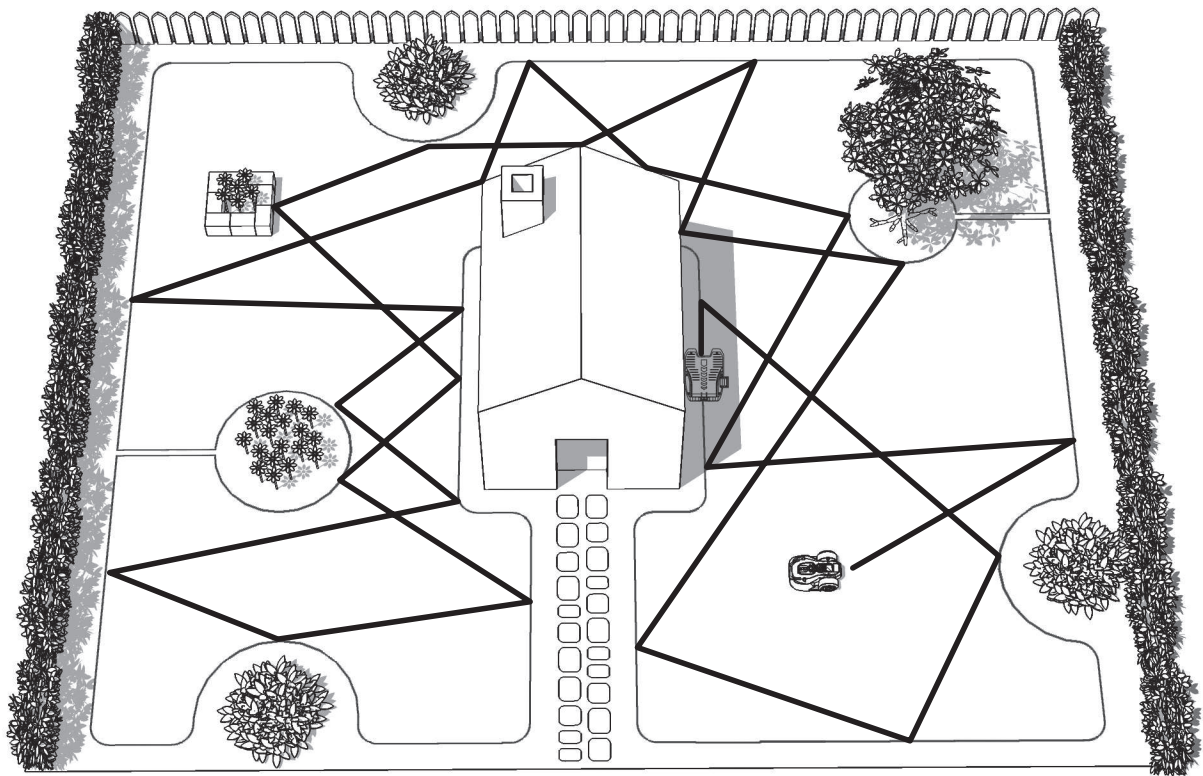
### 3. Principe de fonctionnement du Landroid® L

Félicitations pour votre achat de ce Landroid® L; avec cet appareil commence pour vous une nouvelle vie dans laquelle votre pelouse se tondra toute seule! Dans cette section, nous vous aiderons à mieux comprendre le mode de fonctionnement du Landroid® L.



#### 3.1 Comment mon Landroid® L peut-il savoir quels endroits il est censé tondre?

Le Landroid® L choisit sa direction au hasard. Grâce à lui, toute votre pelouse sera tondue de manière parfaitement uniforme et sans couloirs disgracieux (Voir Fig. A).



**A**

## 3.2 Comment mon Landroid®L peut-il savoir où il est censé aller?

Le Landroid®L peut fonctionner de manière autonome. Le Landroid®L sait lorsqu'elle doit aller sur sa base de chargement (3) pour se recharger, elle peut détecter lorsqu'il pleut et peut s'arrêter en cas de détection d'un problème, et sait s'arrêter, reculer, puis tourner quand elle heurte un obstacle bloquant son chemin ou un autre objet. Le Landroid®L arrêtera également automatiquement le disque de coupe rotatif (16) de tourner s'il est soulevé du sol, pour éviter un accident.

### A. Recherche du socle de recharge

Lorsque votre Landroid®L a besoin d'être rechargée, elle arrêtera de tondre et suivra le câble périphérique (23) dans le sens antihoraire jusqu'à retourner sur sa base de chargement. Votre Landroid®L est préprogrammé pour tondre la pelouse près du câble périphérique une fois par semaine.

Si vous souhaitez tondre la pelouse près du câble périphérique davantage, ouvrez la fenêtre du clavier, appuyez sur le bouton « home » et fermez la fenêtre du clavier. Le Landroid®L arrêtera de tondre, repérera le câble périphérique et tondra l'herbe près du câble périphérique pendant qu'il localise le socle de recharge.

Donc si vous souhaitez tondre l'herbe près du câble périphérique, appuyez simplement sur le bouton « home ». et fermez la fenêtre du clavier. Nous vous suggérons d'utiliser cette fonctionnalité lorsque la charge de la batterie est supérieure à 75%. Vous pouvez vérifier la puissance de la batterie sur l'écran.

### B. Capteurs pluviométriques

Le Landroid®L est équipé d'un capteur pluviométrique (12) situé à l'arrière; ce capteur détecte les gouttes de pluie et ordonne au Landroid®L d'arrêter de tondre et de revenir sur le socle en suivant le fil-barrière. (Voir Fig. B).


Le Landroid®L peut être programmé pour un démarrage différé (0- 180 minutes) quand il pleut. Lorsque les capteurs de pluie sont humides, le Landroid®L retourne à sa station d'accueil. Ce n'est que lorsque les capteurs de pluie deviennent secs que le Landroid®L commence le compte à rebours avant le démarrage différé ou retourne immédiatement à la tonte. Si vous souhaitez que le Landroid®L recommence à tondre avant le délai réglé avec la fonction "départ après pluie", appuyez sur la BOUTON D'ARRÊT (8), séchez le Landroid®L et refermez le couvercle du clavier (9) pour qu'il redémarre. Pour plus de détails, veuillez vous référer au Guide de programmation et de dépannage.

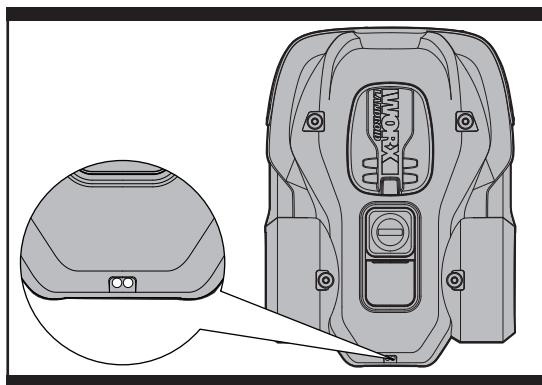
### C. Détection du fil-barrière

Grâce à ses deux capteurs situés à l'avant, le Landroid®L sait lorsqu'il s'approche du fil-barrière et ne dépasse jamais cette limite (Voir Fig. C). Avant de changer de direction, le Landroid®L franchit le fil-barrière sur une distance d'environ 25cm\*.

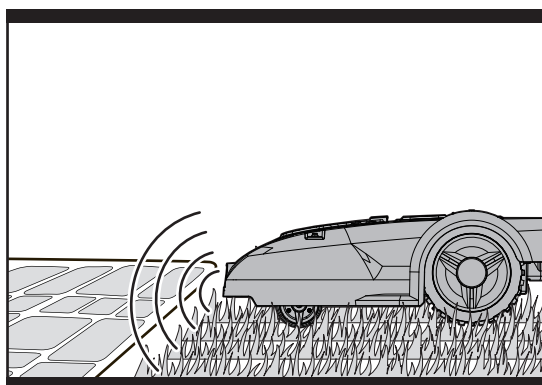
\*C'est la distance recommandée, car le Landroid®L ne peut pas calculer la distance lui-même. Utilisez la jauge de distance fournie pour assurer une bonne installation.

### D. Démarrage et arrêt au cours du travail

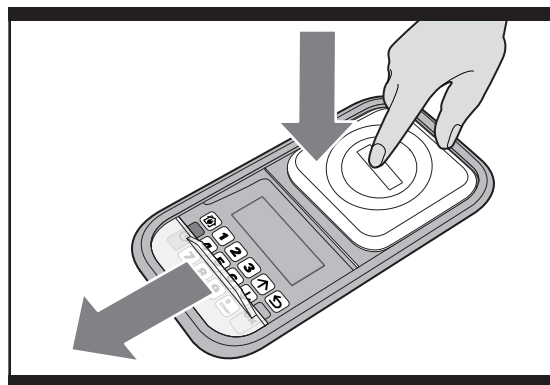
Si vous souhaitez que le Landroid®L arrête de travailler, il vous suffit d'appuyer la BOUTON D'ARRÊT (8) située au-dessus. Une fois cette touche appuyée, le couvercle du clavier s'ouvre et le Landroid®L attend la suite des instructions. Il ne recommencera pas à tondre tant que vous n'avez pas appuyé sur  et fermé la fenêtre du clavier (Voir Fig. D,E).



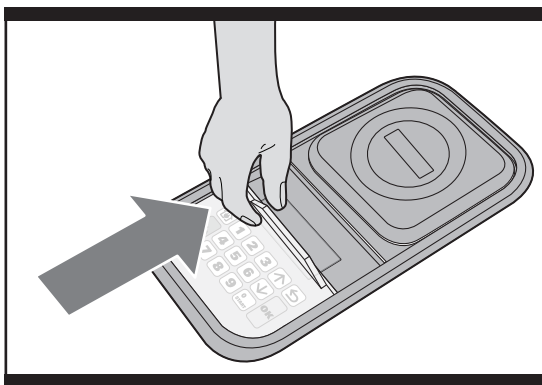
B



C



D



E

Chaque fois que le Landroid®L détecte un problème, un message d'erreur apparaît à l'écran (20) et s'éteindra automatiquement s'il ne reçoit aucune commande de l'utilisateur dans les 20 mins (Pour plus d'informations sur les messages d'erreur, référez-vous au Guide de dépannage et de programmation).

Pour Continuer:

Scène 1: STOP – Arrêt automatique après 20 min.

- Appuyez sur la BOUTON D'ARRÊT.
- Ouvrez le couvercle du clavier.
- Appuyez sur la touche MARCHE/ARRÊT (21) pour l'allumer.
- Appuyez sur la touche  pour résoudre le problème.
- Appuyez de nouveau sur la touche  et fermez la fenêtre du clavier.
- Maintenant, la Landroid®L commencera à tondre!

Scène 2: STOP– Sans arrêt automatique

- Appuyez sur la BOUTON D'ARRÊT.
- Ouvrez le couvercle du clavier.
- Appuyez sur la touche  pour résoudre le problème.
- Appuyez de nouveau sur la touche  et fermez la fenêtre du clavier.
- Maintenant, la Landroid®L commencera à tondre!

### 3.3 Quelle superficie maximale mon Landroid®L est-il capable de tondre?

Le Landroid®L est capable de tondre différentes tailles de superficie; cette superficie dépend cependant de plusieurs facteurs:

- L'espèce d'herbe dont est constituée votre pelouse, ainsi que sa vitesse de croissance
- L'affûtage des lames (17)
- L'humidité
- La température ambiante
- Le nombre d'obstacles dans votre jardin

Si la température ambiante de votre région est très froide, le Landroid®L devrait mettre un peu plus de temps à se recharger. Le Landroid®L consomme moins d'énergie quand il travaille dans un espace ouvert comportant peu d'obstacles (ex: parterres de fleurs, fontaines, allées etc.).

Vous pouvez trouver la durée de travail par défaut du Landroid®L pour différentes tailles de pelouse dans le guide de programmation.

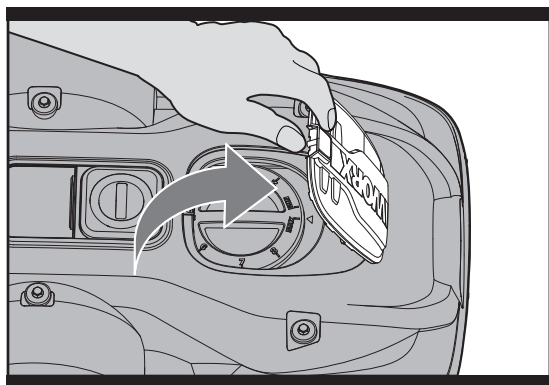
Les durées indiquées peuvent varier selon les facteurs susmentionnés. Ajustez progressivement la durée de travail quotidienne du Landroid®L jusqu'à trouver le réglage qui convient.

Vous pouvez également programmer le temps de travail du Landroid®L de façon à ce qu'il s'adapte à votre emploi du temps – se reporter au Guide de programmation.

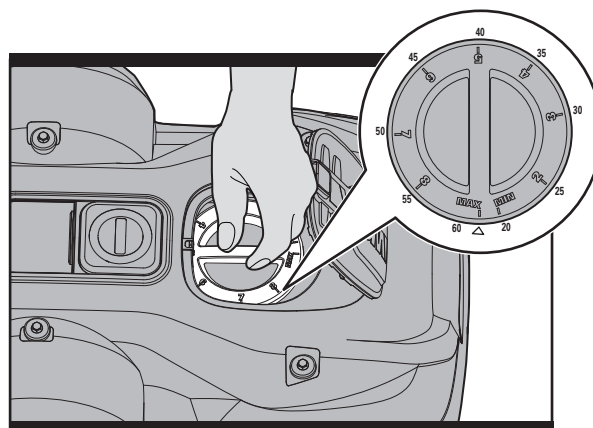
### 3.4 Quel sera le degré d'efficacité du travail de mon Landroid®L?

La hauteur de coupe du Landroid®L se règle entre 2cm et 6cm. Avant de démarrer votre Landroid®L pour la première fois, vous devez couper l'herbe à une hauteur de 9 cm au minimum. Puis, assurez-vous d'ouvrir le COUVERCLE DE RÉGLAGE DE LA HAUTEUR DE COUPE (6) et réglez la hauteur de coupe à la hauteur de coupe maximale de 6cm. (Voir Fig. F;G).

Le Landroid®L produit un meilleur travail par temps sec. Il n'aime pas l'herbe mouillée, qui peut s'accumuler sur le



F



G

disque de coupe rotatif (16) et à l'intérieur du moteur, ce qui peut également causer une traction et un glissement lors du fonctionnement.

Le Landroid®L a peur de la foudre! En cas d'orage, protégez-le en débranchant le socle de recharge (3), en déconnectant le fil-barrière (23) et en vous assurant que le robot n'est pas sur son socle.

Votre Landroid®L aime tondre l'herbe et il est nécessaire que ses lames de coupe (17) soient maintenues en bon état pour obtenir un résultat optimal. Le Landroid®L peut faire la plus grande partie du travail tout seul, mais il aura de temps en temps besoin de votre aide pour éviter de se blesser.

- Ne laissez jamais le Landroid®L rouler sur du gravier
- Enlevez tous les obstacles sur lesquels le Landroid®L risquerait de monter ou qui seraient susceptibles d'abîmer le disque de coupe; ou isolez de tels obstacles.
- Enlevez tous les débris et autres objets étrangers de votre pelouse

## 4. Contrôle par smartphone

Votre Landroid®L (WG797E) peut être relié à un smartphone. Tous les paramètres généraux peuvent être définis sur votre téléphone. Il indiquera également l'état de fonctionnement actuel, même les erreurs. Pour les paramètres détaillés, veuillez vous reporter au Guide de connexion WiFi du Landroid®L.

## 5. Principe de fonctionnement du fil-barrière

### 5.1 Pose du fil-barrière

Utilisez la jauge de distance du fil (26) pour régler la bonne distance à partir de la bordure de votre pelouse (Plus de 45cm\*)

\*Il s'agit de la distance recommandée. Utilisez la jauge de distance fournie pour assurer une installation correcte.

Si votre voisin utilise également un Landroid®L, vous devez garder un espace d'au moins 2mètres entre votre fil périphérique et celui de vos voisins.

Veuillez garder à l'esprit que votre Landroid®L ne sera pas en mesure de recevoir un signal provenant du fil périphérique au-delà d'une distance de 25m.

**Le fil-barrière est censé délimiter précisément la surface devant être tondue.** Les plis et les tas de fil ne faisant pas partie de la zone de travail sont susceptibles de perturber le fonctionnement du Landroid®L (Voir Fig. H). Si vous disposez d'un excédent de fil après avoir délimité le périmètre de coupe, coupez-le et rangez-le dans un endroit à part. Il est cependant important de prévoir une longueur suffisante pour que le fil puisse être correctement relié au socle de recharge tout en étant enterré.

### 5.2 Enterrement du fil-barrière

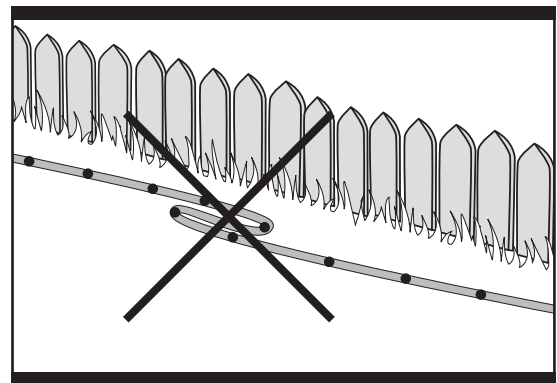
Si vous avez l'intention d'enterrer le fil, veuillez noter que la disposition du fil pourra poser des difficultés au Landroid®L lorsqu'il retournera sur son socle de recharge pour la première fois. Il est recommandé tout d'abord d'ancrer le fil périphérique dans la pelouse afin qu'il soit facile de faire des ajustements si nécessaire. Cela permettra au Landroid®L de s'habituer à son nouvel environnement et garantira son fonctionnement avec la base de charge avant que le fil périphérique soit enterré.

Lorsque vous avez terminé l'installation du câble périphérique, il est recommandé de demander au Landroid®L de suivre le câble périphérique en appuyant sur le bouton «home».

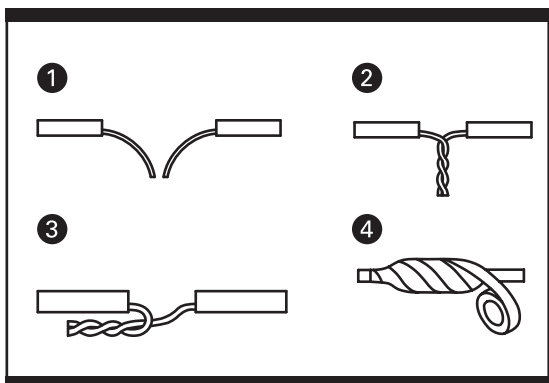
Tout en observant le Landroid®L localiser la station de charge, vous pouvez apporter des modifications à l'itinéraire du câble périphérique, afin d'assurer un bon dépistage du câble périphérique par le Landroid®L quand il localise la station de charge.

### 5.3 Liaison du fil-barrière

Le fil-barrière (23) peut être rallongé simplement en épissant le bout et en le reliant au bout d'un autre fil. Vous pouvez utiliser de l'adhésif pour fixer la jointure entre les fils. (Voir Fig. I)



H



I

## 5.4 Mise en marche et test d'installation

Si le voyant du chargeur ne s'allume pas, vérifiez les branchements. Si le voyant lumineux du socle de votre Landroid®L clignote en vert, vérifiez si le câble délimitant est connecté ou s'il est coupé.

Rouge allumée : la batterie charge.

Lumière rouge clignotant: message d'erreur, reportez-vous à la section dépannage et corrigez les problèmes.

Lumière verte clignotante: vérifiez que le câble périphérique est correctement branché.

Lorsque la lumière verte sur le socle de chargement est activée, placez votre Landroid®L sur le câble périphérique, si le Landroid®L suit la limite, alors il est correctement branché.

Si votre Landroid®L est à l'intérieur de son territoire, mais que l'affichage indique « hors de la zone de coupe », et que le voyant à LED de la base du chargeur est vert, cela signifie que vous avez mal fixé les extrémités du câble périphérique. Inversez-les simplement.

## 6. Mise à jour du logiciel

Votre logiciel Landroid®L peut être mis à jour lorsque de nouvelles versions sont disponibles. La version du logiciel sera affichée à l'écran. Le manuel dans la boîte est basé sur le logiciel par défaut de la production de masse. Certaines nouvelles caractéristiques / fonctions de la nouvelle version peuvent ne pas exister dans le manuel. Si vous ne trouvez pas certains paramètres dans le manuel, veuillez consulter [www.worxlandroid.com](http://www.worxlandroid.com) pour télécharger la dernière version de manuel. Vous pouvez vérifier la version de logiciel installée sur votre machine en appuyant sur le bouton MARCHE / ARRÊT.

Le dernier logiciel peut être téléchargé à partir de notre site Web - Voir ci-dessous les instructions de téléchargement et d'installation ; Recherchez la dernière version du logiciel sur :

[www.worxlandroid.com](http://www.worxlandroid.com).

Copiez le fichier « .bin » contenant la dernière version de logiciel sur une clé USB. Remarque : avant de transférer le fichier « bin », veillez à ce que la carte mémoire flash ne contienne pas d'autres fichiers ou données.

Étape 2 : Ouvrez le couvercle de la partie inférieure et retirez la batterie, puis insérez le disque externe dans le port USB. (Voir Fig. J1)  
Étape 3 : Insérez la batterie et appuyez sur le bouton MARCHE/ARRÊT pendant dix secondes jusqu'à ce que la tondeuse s'allume. La version de logiciel sera affichée dans le coin inférieur droit de l'écran. (Voir Fig. J2)

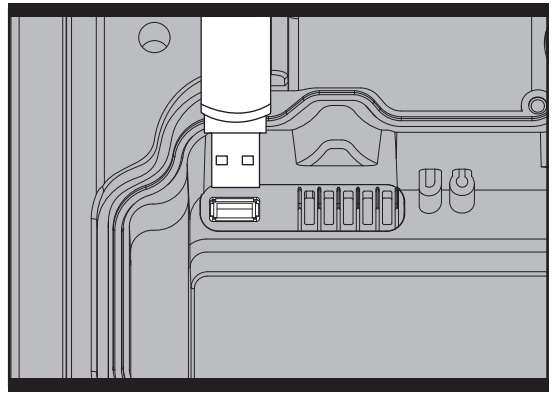
Étape 4: Retirez la carte mémoire flash et remettez le couvercle de la batterie.

Étape 5: Après avoir installé le nouveau logiciel, vous devrez réinitialiser le panneau de diagnostic sur votre tondeuse. Tout d'abord, positionnez la tondeuse sur une surface horizontale.

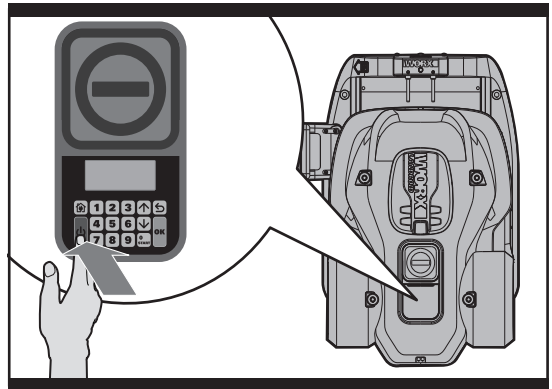
Appuyez sur la touche « 2 » pour accéder à l'interface de diagnostic, puis appuyez sur la touche « 5 » pendant quelques secondes jusqu'à ce que les trois numéros 1, 2 et 3 soulignés ci-dessous reviennent à zéro. (Voir Fig. J3)

## 7. Entretien

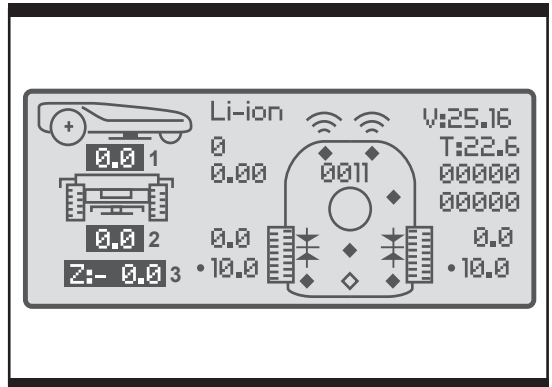
Le Landroid®L doit faire l'objet d'un examen périodique. Le Landroid®L travaille dur, c'est pourquoi vous devez régulièrement nettoyer en profondeur et changer les pièces usées. Dans cette section, nous vous expliquerons comment prendre soin de votre nouveau Landroid®L de manière à ce qu'il s'adapte parfaitement à sa nouvelle demeure.



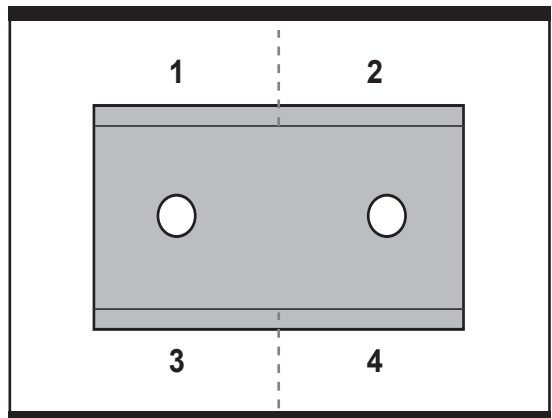
J1



J2



J3



K



## 7.1 Affûtage



**ATTENTION: Avant d'effectuer toute manipulation de nettoyage, de réglage ou de changement des lames, éteignez le Landroid®L en mettant le bouton marche/arrêt en position arrêt, et mettez des gants de protection.**



**ATTENTION! S'il est nécessaire de remplacer une lame, assurez-vous de remplacer TOUTES les lames. Si vous utilisez une lame neuve avec une vis usagée, il existe un risque que la vis se détache au cours du travail. La lame risquerait alors de se décrocher brutalement et de causer de graves blessures.**

Le Landroid®L ne coupe pas l'herbe de la même manière que les autres tondeuses. Ses lames (17) sont tranchantes comme des rasoirs sur leurs 4 bords et tournent dans les deux sens pour une efficacité de coupe maximale (Voir Fig. K). Chaque lame de votre Landroid®L a 4 bords coupants. Selon la fréquence que le Landroid®L tond votre pelouse, les lames devront être tournées/retournées périodiquement pour utiliser un nouveau bord coupant. Si votre Landroid®L est programmé pour tondre la pelouse tous les jours, alors les lames devront être tournées tous les mois pour des meilleurs résultats. Chaque lame va durer jusqu'à 4 mois quand il est programmé pour tondre la pelouse tous les jours. Lorsque les lames sont usées et ne coupent plus bien, elles doivent être remplacées par les lames de rechange fourni avec votre Landroid®L. Des lames de rechange sont également disponibles chez votre détaillant WORX le plus proche.

### A. Rotation et retournement des lames

Le Landroid®L est équipé de lames, qui sont vissées sur le disque de coupe (16). Les lames sont l'outil dont le Landroid®L a besoin pour faire son travail; elles doivent donc faire l'objet d'un soin particulier. De temps en temps, les lames doivent être retournées en même temps; cela permet d'assurer une coupe parfaite. Lorsque vous retournez les lames, n'oubliez pas d'ajuster toutes les lames en même temps, faute de quoi le disque de coupe risquerait d'être déséquilibré. Si votre Landroid®L travaille en suivant un planning normal (quotidien), les lames doivent durer une saison entière si elles sont retournées tous les mois. Vérifiez chaque fois si les lames sont ébréchées ou endommagées et changez-les le cas échéant.

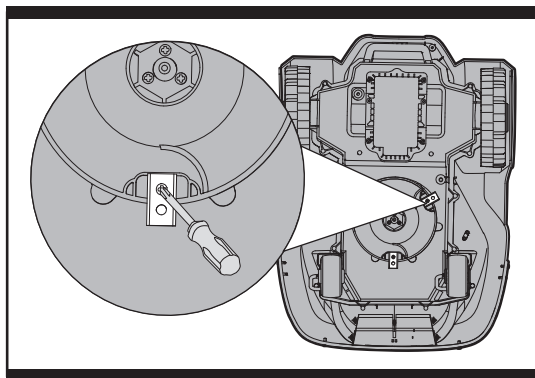
### B. Changement des lames (Voir Fig.L)

Au bout d'une certaine durée d'utilisation (normalement en fin de saison), les lames du Landroid®L auront besoin d'être changées. Le Landroid®L n'aime pas travailler avec des lames de différents âges et de différents niveaux de qualité, c'est pourquoi il est indispensable de toujours changer toutes les lames en même temps. Vous pouvez utiliser l'un des trois kits de rechange fournis avec le Landroid®L, avec les vis de montage correspondantes.

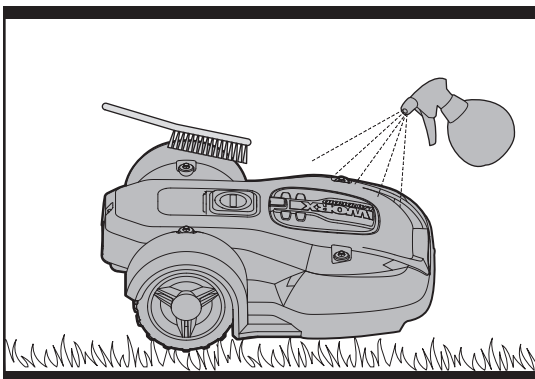
Avant d'essayer de remplacer les lames de votre Landroid®L, éteignez la machine et mettez des gants de protection. Puis procédez de la manière suivante:

1. Retournez délicatement le ®L .
2. Retirez le couvercle de la batterie et la batterie.
3. Dévissez les vis des lames avec un tournevis.
4. Puis fixez solidement les lames neuves.
5. Remontez la batterie et son couvercle.

**IMPORTANT: Après avoir vissé les lames sur le disque, assurez-vous qu'elles peuvent tourner librement.**



L



M

## 7.2 Nettoyage



**ATTENTION: Avant de nettoyer le Landroid®L , mettez le bouton marche/arrêt en position arrêt. Mettez des gants de protection avant de nettoyer le disque de coupe (16), et ne le lavez pas sous le robinet. (Voir Fig. M)**

### A. Nettoyage du boîtier

Votre Landroid®L fonctionnera mieux et plus longtemps s'il est nettoyé régulièrement. Toutefois, comme votre Landroid®L est une machine électrique, vous devez faire attention lors du nettoyage, de NE PAS UTILISER un tuyau, des nettoyeurs à haute pression ou autre pour faire couler de l'eau sur votre Landroid®L ; il est préférable d'utiliser un vaporisateur rempli d'eau. Pour nettoyer le boîtier de la machine, utilisez une brosse souple ou un chiffon propre et évitez l'utilisation de solvants ou de produits de polissage (Voir Fig.M). Enfin, assurez-vous d'enlever toute accumulation d'herbes et de débris.

## B. Nettoyage du dessous de la machine

Une fois encore, vous devez impérativement éteindre le Landroid®L avec le bouton marche/arrêt et mettre des gants de protection avant de toucher le disque de coupe (16).

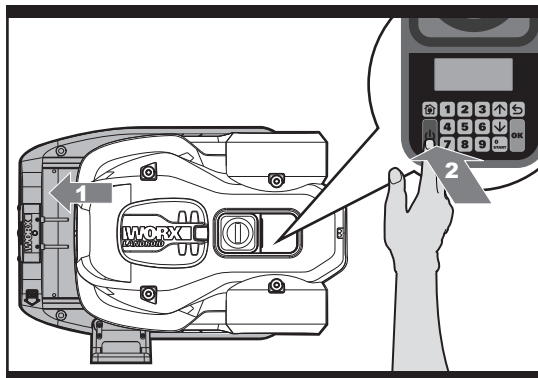
Tout d'abord, retournez votre Landroid®L à l'envers pour exposer sa face inférieure. Repérez le disque de coupe, le boîtier du moteur (14) ainsi que les roues avant (18) et les roues motrices (11). Nettoyez soigneusement toutes ces pièces avec un chiffon mouillé ou une brosse à poils doux.

Faites tourner le disque de coupe pour vous assurer qu'il tourne librement. Vérifiez que les lames tournent librement autour des vis de fixation. Retirez tout obstacle.

**IMPORTANT: Enlevez tous les débris accumulés susceptibles de fissurer le disque de coupe. Même la fissure la plus microscopique peut influencer le fonctionnement du Landroid®L de manière importante.**

## C. Nettoyez les broches de contact et les bandes de chargement

Nettoyer la broche de contact (2) située sur la base de chargement (3) et la bande de chargement (5) situés sur le Landroid®L à l'aide d'un chiffon. Enlevez toute accumulation de débris d'herbe et de débris autour des broches de contact et des bandes de chargement de temps en temps pour vous assurer que le Landroid®L se charge correctement à chaque fois.



N

## 7.3 Durée de vie de la batterie

Le cœur du Landroid®L est une Pile de Lithium de 28V. Aucun entretien n'est nécessaire. Pour un entreposage adéquat de la batterie, assurez-vous qu'elle soit complètement chargée et conservée dans un endroit frais et sec entre (20°C-60°C).

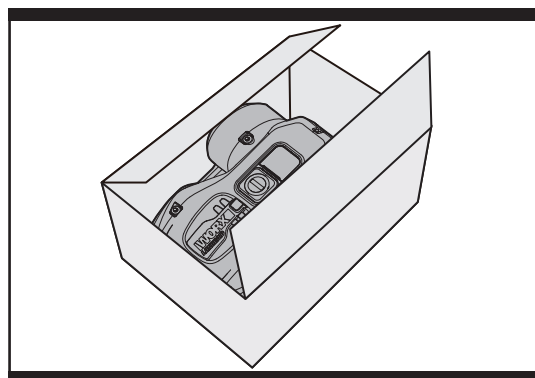
La durée de vie de la batterie du Landroid®L dépend de plusieurs facteurs:

- La durée de la saison de tonte dans votre région
- Le nombre d'heures que le Landroid®L travaille chaque jour
- L'entretien de la batterie pendant le rangement

Le Landroid®L peut être chargé manuellement sans câble périphérique. (Voir Fig. N).

**Pour charger manuellement la batterie sans brancher le câble périphérique à la base de recharge;**

- 1. Connectez la base de charge à une source d'alimentation appropriée.**
- 2. Placez manuellement le Landroid®L dans la base de charge alors que le Landroid®L est éteint.**
- 3. L'indicateur lumineux rouge de charge s'allumera.**
- 4. Dans les 3 secondes avant que l'indicateur lumineux de la base de charge devient vert, appuyez sur le bouton MARCHÉ / ARRÊT du Landroid®L.**
- 5. Fermez la fenêtre du clavier, et Landroid®L commencera à se charger.**



O

## 7.4 Hibernation

Votre Landroid®L fonctionnera mieux et plus longtemps si vous le laissez reposer pendant l'hiver. Bien que le Landroid®L soit un appareil très solide, nous vous recommandons néanmoins de le ranger dans une remise ou dans un garage pendant l'hiver.

Avant de ranger le Landroid®L pour l'hiver, n'oubliez pas:

- De le nettoyer soigneusement.
- De recharger complètement la batterie.
- De l'éteindre.

Afin que la batterie soit en parfait état de marche à la saison suivante, n'oubliez pas de la recharger entièrement au moins une fois au cours de l'hiver.

Le Landroid®L doit être rangé posé sur ses quatre roues, dans un endroit à l'abri du gel. Il est conseillé de ranger le Landroid®L dans sa boîte d'origine. Le socle de charge, le câble basse tension (4) et le transformateur (22) doivent également être rangés en intérieur pendant l'hiver, de préférence. (Voir Fig.O)

Le fil-barrière peut être laissé par terre, mais il est préférable de protéger les extrémités, par exemple en les mettant dans une boîte de conserve remplie de graisse. Si vous choisissez de laisser le socle de recharge à l'extérieur pendant l'hiver, laissez le fil-barrière relié au socle.

**REMARQUE:** Lorsque vous redémarrez le Landroid®L après le repos hivernal, nettoyez soigneusement les bornes de

recharge (5) et les broches de contact (2) en utilisant de préférence une toile émeri fine. Ensuite, vérifiez l'heure et la date, puis renvoyez le Landroid®L à son travail préféré: tondre la pelouse!

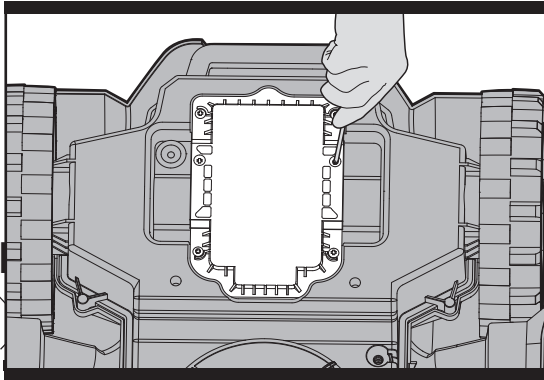
## 7.5 Changement de la batterie



**ATTENTION: Mettez le bouton marche/arrêt sur la position arrêt avant d'effectuer toute manipulation de réglage, de changement ou de réparation.**

Si vous devez changer la batterie, procédez de la manière suivante.

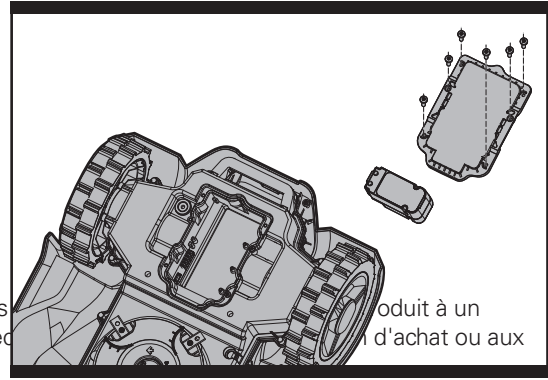
1. Retournez délicatement le Landroid®L.
2. Enlevez les six vis de fixation de la batterie. (Voir Fig. P)
3. Sortez la batterie usagée. (Voir Fig. Q)
4. Insérez la batterie neuve.
5. Remettez les 6 vis en place et serrez-les bien.



**P**

**ement**

être jetés avec les  
ormations sur le rec



**Q**

oduit à un  
d'achat ou aux

# ISTRUZIONI ORIGINALI

## IDICE

<b>1. Istruzioni generali di sicurezza</b>	<b>45</b>
1.1 Avvisi generali per la sicurezza degli utensili a motore	45
1.2 Simboli su Landroid®L	47
<b>2. Elementi dell'apparecchio</b>	<b>48</b>
<b>3. Per comprendere Landroid®L</b>	<b>50</b>
3.1 Come fa Landroid®L a riconoscere ciò che deve tagliare?	50
3.2 Come fa Landroid®L a sapere dove deve andare?	51
A. Per trovare la base di ricarica	51
B. Sensori pioggia	51
C. Rilevazione del filo perimetrale	51
D. Avvio e arresto durante la tosatura	51
3.3 Quanto può essere grande l'area di tosatura di Landroid®L?	52
3.4 Con che efficienza Landroid®L taglia l'erba?	52
<b>4. Controllo tramite smartphone</b>	<b>53</b>
<b>5. Nozioni di base relative al filo perimetrale</b>	<b>53</b>
5.1 Per fissare il filo perimetrale	53
5.2 Per interrare il filo perimetrale	53
5.3 Per unire il filo perimetrale	53
5.4 Accensione e controllo dell'installazione	53
<b>6. Aggiornamento del software</b>	<b>54</b>
<b>7. Manutenzione</b>	<b>54</b>
7.1 Mantenere affilate le lame	54
A. Ruotare e capovolgere le lame	55
B. Sostituire le lame	55
7.2 Pulizia	55
A. Pulizia del corpo	55
B. Pulire la parte inferiore	55
C. Pulizia dei pin di contatto e delle strisce di ricarica	56
7.3 Durata della batteria	56
7.4 Imessaggio invernale	56
7.5 Sostituzione della batteria	57

# 1. Istruzioni generali di sicurezza

## 1.1 Avvisi generali per la sicurezza degli utensili a motore



**ATTENZIONE! È assolutamente necessario leggere attentamente tutte le istruzioni.** Eventuali errori nell'adempimento delle istruzioni qui di seguito riportate potranno causare scosse elettriche, incendi e/o lesioni gravi.

**Leggere accuratamente queste istruzioni per usare la macchina in sicurezza.**

**Conservare tutti gli avvisi e le istruzioni per poterle consultare quando necessario.**

- Questo dispositivo non è inteso per l'uso da parte di persone (inclusi i bambini) con capacità fisiche, sensorie o mentali ridotte o con scarsa esperienza e conoscenza del prodotto, a meno che non sia utilizzato sotto la supervisione da parte di persone responsabili per la loro sicurezza.
- I bambini devono essere controllati per garantire che non giochino con il dispositivo.
- Questo dispositivo deve essere utilizzato esclusivamente con l'alimentatore fornito in dotazione.

### **IMPORTANTE**

**LEGGERE ATTENTAMENTE PRIMA DELL'USO**

**CONSERVARE PER RIFERIMENTO FUTURO**

### **PROCEDURE PER UN USO SICURO**

#### **Addestramento**

- A) Leggere con attenzione le istruzioni. Acquisire familiarità con i comandi e il corretto funzionamento dell'apparecchio.
- b) Non permettere mai ai bambini o alle persone sprovviste delle necessarie competenze di utilizzare l'attrezzo. L'età minima di utilizzo dello stesso può variare a seconda delle diverse normative locali.
- c) Ricordare che l'operatore o l'utente sono responsabili di incidenti o rischi che dovessero verificarsi ai danni di terzi o delle proprietà.

#### **Operazioni Preliminari**

- a) Accertarsi che il filo perimetrale sia installato correttamente, in base alle istruzioni.
- b) Ispezionare con attenzione l'area in cui si deve utilizzare l'apparecchiatura e togliere tutti gli oggetti che potrebbero essere lanciati dall'apparecchiatura.
- c) Prima dell'uso, verificare visivamente che le lame, i rispettivi bulloni e il gruppo di taglio non siano usurati o danneggiati. In tal caso, sostituire le lame o i bulloni in blocco per mantenere l'equilibrio.
- d) Su macchine con più lame, prestare attenzione perché ruotando una lama si provoca la rotazione dell'altra lama.
- e) **ATTENZIONE!** Non utilizzare mai il tosaerba se le protezioni o i ripari sono danneggiati o senza i gli appositi apparati di sicurezza.

### **FUNZIONAMENTO**

#### **1. GENERALI**

- a) Non utilizzare mai il tosaerba se le protezioni o i ripari sono danneggiati o senza i gli appositi apparati di sicurezza, come i deflettori e di raccolta erba.
- b) Non avvicinare mani o piedi accanto o sotto le parti rotanti. Nel caso di falciatrici rotative, mantenere costantemente libere le aperture di scarico.
- c) Non raccogliere, né trasportare il tosaerba a motore in funzione.
- d) Azionare il dispositivo di disattivazione dall'apparecchiatura.
  - Prima di eliminare un'ostruzione,
  - Prima di controllare, pulire o effettuare lavori sulla apparecchiatura,
- e) Non è consentito modificare la versione originale di robot tosaerba. Il produttore declina ogni responsabilità per eventuali modifiche non autorizzate.
- f) Avviare il robot tosaerba, come descritto nelle istruzioni. Quando l'interruttore principale è in posizione ON, assicurarsi di tenere mani e piedi lontani dalle lame rotanti. Non infilare mai le mani o i piedi sotto al tosaerba.
- g) Non sollevare né trasportare il robot tosaerba quando l'interruttore principale è in posizione ON.
- h) Non consentire a persone che non conoscono il funzionamento e il comportamento di robot tosaerba, di utilizzarlo.
- i) Non sistemare oggetti sopra robot tosaerba o la stazione di ricarica.
- j) Non utilizzare robot tosaerba se il disco a lame o la scocca presentano difetti. Non utilizzarlo nemmeno se presenta lame, viti, dadi o cavi difettosi.
- k) Spegnere sempre il robot tosaerba quando non si ha intenzione di utilizzarlo. Il robot tosaerba può avviarsi solo se l'interruttore principale è in posizione ON e se è stato inserito il codice PIN corretto.

#### **2. ULTERIORI INFORMAZIONI QUANDO L'APPARECCHIATURA FUNZIONA IN MODALITÀ AUTOMATICA**

- a) Non usare il tosaerba in presenza di altre persone, in particolar modo di bambini o di animali domestici.

## MANUTENZIONE E CONSERVAZIONE



**AVVERTENZA! Se il robot tosaerba viene capovolto, l'interruttore principale deve essere sempre in posizione OFF.**

L'interruttore principale deve essere in posizione OFF durante tutti i lavori al sottoscocca del tosaerba, come, ad esempio, la pulizia o la sostituzione delle lame.

- a) Ai fini della sicurezza delle operazioni, accertarsi che tutti i dadi, i bulloni e le viti dell'apparecchio siano saldamente avvitati;
- b) Controllare robot tosaerba ogni settimana e sostituire le eventuali parti danneggiate o usurate.
- c) Controllare in particolare che le lame e il disco a lame siano integri. All'occorrenza, sostituire tutte le lame e le viti contemporaneamente in modo che le parti rotanti siano bilanciate,
- d) assicurarsi di utilizzare solo accessori di taglio di ricambio del tipo corretto;
- e) assicurarsi che le batterie siano caricate utilizzando il caricabatteria corretto consigliato dal costruttore. L'uso non corretto potrebbe causare folgorazioni, surriscaldamento o perdite di liquidi corrosive dalla batteria;
- f) Nel caso di perdite di elettroliti insieme a acqua/agente neutralizzante, chiedere l'aiuto di un medico nel caso vengano a contatto con gli occhi, ecc;
- g) La manutenzione dell'apparecchiatura deve essere eseguita seguendo le istruzioni del costruttore.

### Trasferimento

Per i trasporti più lunghi, si raccomanda di riporre robot tosaerba nell'imballaggio originale.

Per un trasferimento sicuro dall'area di lavoro e al suo interno:

- a) Per fermare il tagliaerba premere il tasto STOP.
- b) Si sceglie il PIN a quattro cifre quando si avvia il tagliaerba per la prima volta.
- c) Spegnerne sempre il robot tosaerba se si ha intenzione di trasportarlo.
- d) Afferrare il rasoerba per l'impugnatura presente sul fondo, nella parte posteriore. Trasportare il rasoerba con il disco a lame lontano dal corpo.



### Istruzioni per la sicurezza del pacco batteria

- a) Non smontare, aprire o strappare le cellule secondarie o il pacco batteria.**
- b) Non cortocircuitare un pacco batteria. Non conservare un pacco batteria disordinatamente in una scatola o un cassetto in cui potrebbero cortocircuitarsi tra essi o essere cortocircuitati da altri oggetti metallici.** Quando il pacco batteria non è in uso, tenerlo lontano da altri oggetti metallici come graffette, monete, chiavi, chiodi, viti e altri piccoli oggetti metallici, potrebbe avverarsi un collegamento tra i due terminali. Collegare i terminali della batteria potrebbe causare incendi o ustioni.
- c) Non esporre il pacco batteria a calore o fuoco. Evitare di conservarli alla luce diretta del sole.**
- d) Non sottoporre il pacco batteria a scosse meccaniche.**
- e) In caso di perdite da una cellula, evitare che il liquido entri in contatto con la pelle o gli occhi. In caso di contatto, lavare l'area interessata con abbondante acqua e consultare un medico.**
- f) Se si ingerisce una cellula o un pacco batteria, consultare immediatamente un medico.**
- g) Tenere le cellule e il pacco batteria puliti e asciutti.**
- h) Il pacco batteria offre prestazioni ottimali se utilizzate ad una temperatura ambiente normale (20°C ± 5°C).**
- i) Quando si smaltiscono i pacchi batteria, tenere i pacchi batteria con diversi sistemi elettrochimici separati gli uni dagli altri.**
- j) Ricaricare solo con il caricatore specificato da WORX. Non utilizzare caricatori diversi da quelli forniti per l'uso specifico con l'apparecchiatura.** Un caricatore adatto ad un tipo di pacco batteria potrebbe provocare rischi d'incendi quando è usato con un altro pacco batteria.
- k) Non utilizzare un pacco batteria non progettato per l'uso con l'apparecchiatura.**
- l) Tenere il pacco batteria fuori dalla portata dei bambini.**
- m) Conservare i documenti originali del prodotto per riferimenti futuri..**
- n) Dispose of properly.**

## 1.2 Simboli su Landroid® L



Avvertenza-In caso di uso improprio, robot tosaerba può essere pericoloso.

Leggere attentamente le istruzioni per l'uso e comprenderne il significato prima di utilizzare robot tosaerba



Avvertenza - Tenere gli astanti a distanza di sicurezza.



Avvertenza-Spegnere la macchina prima di utilizzarla o di sollevarla.



Avvertenza -Non salire su robot tosaerba.



Non gettare nel fuoco



Se non vengono smaltite in maniera scorretta, le batterie potrebbero entrare nel ciclo idrico ed essere pericolose per l'ecosistema. Non smaltire le batterie nei rifiuti indifferenziati.



Li-Ion

Le batterie vanno con la raccolta differenziata.

Non gettare le batterie scariche con la raccolta indifferenziata.



Li-Ion

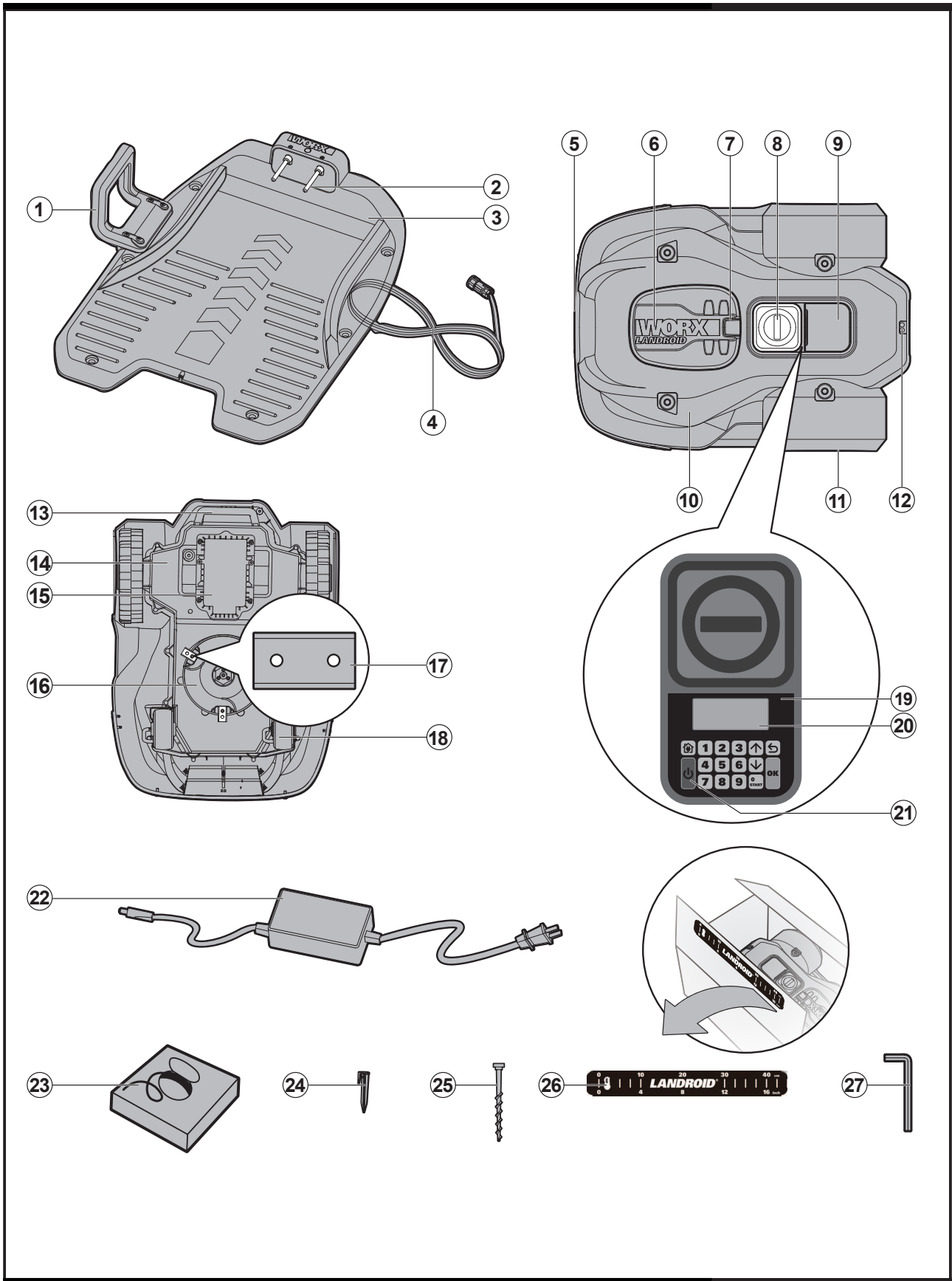


Non lavare l'apparecchio con apparecchi ad alta pressione



I prodotti elettrici non possono essere gettati tra i rifiuti domestici. L'apparecchio da rottamare deve essere portato al centro di riciclaggio per un corretto trattamento. Controllare con le autorità locali o con il rivenditore per localizzare il centro di riciclaggio più vicino.

## 2. Elementi dell'apparecchio





- 
- 1. MANUBRIO**

---

  - 2. PIN DI CONTATTO**

---

  - 3. BASE DI RICARICA**

---

  - 4. CAVO DI BASSA TENSIONE**

---

  - 5. STRISCIA DI RICARICA**

---

  - 6. COPERTURA DI REGOLAZIONE ALTEZZA DI TAGLIO ERBA**

---

  - 7. PUNTO DI ACCESSO - PER APRIRE IL COPERCHIO DI REGOLAZIONE DELL'ALTEZZA**

---

  - 8. PULSANTE STOP**

---

  - 9. FINESTRA TASTIERA**

---

  - 10. ELEMENTO TAGLIAERBA LANDROID**

---

  - 11. RUOTA DI GUIDA POSTERIORE**

---

  - 12. SENSORE PIOGGIA**

---

  - 13. MANIGLIA**

---

  - 14. ALLOGGIAMENTO PRINCIPALE - CONTIENE MOTORE, COMPONENTI ELETTRONICI E BATTERIA**

---

  - 15. PACCO BATTERIA**

---

  - 16. LAME ROTANTI**

---

  - 17. LAME DA TAGLIO**

---

  - 18. RUOTA ANTERIORE**

---

  - 19. TASTIERA**

---

  - 20. DISPLAY**

---

  - 21. TASTO ON/OFF**

---

  - 22. TRASFORMATORE**

---

  - 23. DI FILO PERIMETRALE**

---

  - 24. GANCI PER IL CAVO**

---

  - 25. CHIODI DI FISSAGGIO PER LA BASE DI RICARICA**

---

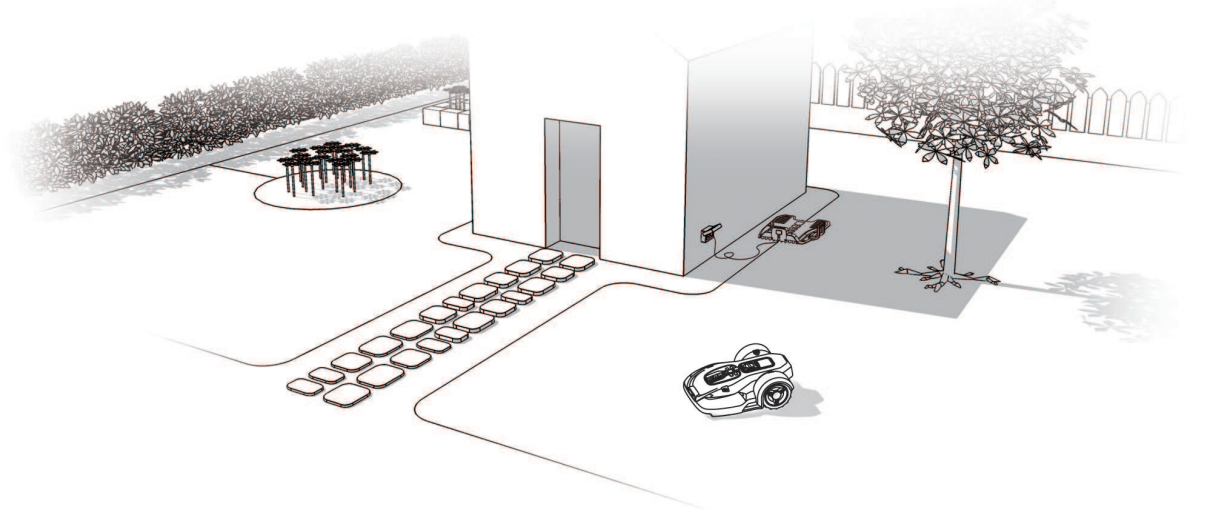
  - 26. DISTANZIATORE DEL FILO PERIMETRALE**

---

  - 27. CHIAVE ALLEN**
-

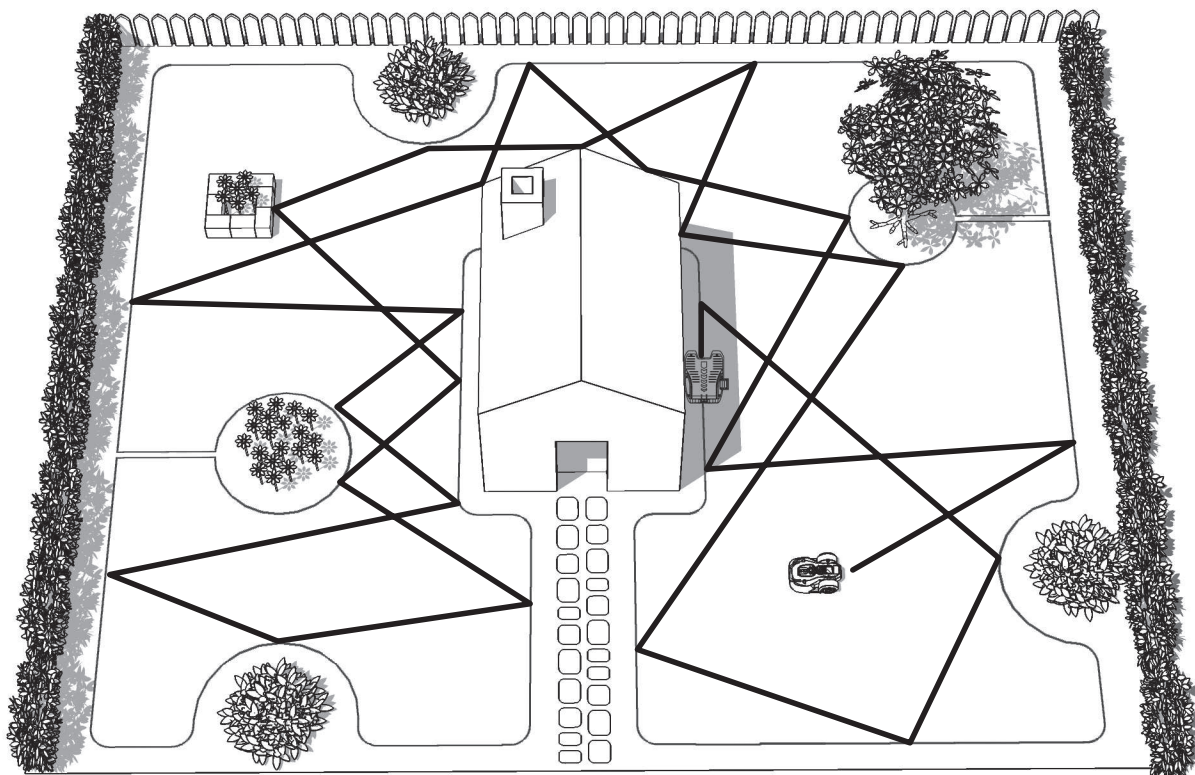
### 3. Per comprendere Landroid® L

Complimenti per l'acquisto del nuovo Landroid® L e per essere entrati nella spensierata vita della tosatura automatica. Di seguito, vogliamo aiutarvi a capire meglio come pensa Landroid® L.



#### 3.1 Come fa Landroid® L a riconoscere ciò che deve tagliare?

Il Landroid® L sceglie la direzione a caso. Si assicura che tutto il prato venga tagliato uniformemente senza lasciare alcuna striscia di erba poco attraente. (Vedere la Fig. A)



**A**

## 3.2 Come fa Landroid®L a sapere dove deve andare?

Landroid®L è in grado di agire per conto proprio. Landroid®L sa quando deve portarsi sulla propria base di ricarica (3) per fare il pieno di corrente, rileva la pioggia, si arresta se intuisce un problema e quando urta qualcuno o qualcosa che gli ostruisce il percorso, si ferma, fa retromarcia e cambia strada. Per evitare incidenti il Landroid®L bloccherà automaticamente la lama rotante(16) se lo si solleva dal suolo.

### A. Per trovare la base di ricarica

Quando deve essere ricaricato, Landroid®L smette di falciare e seguendo il filo perimetrale (23) in senso antiorario, rientra alla base di ricarica. Landroid®L è pre-programmato per tagliare l'erba vicino al cavo di confine una volta alla settimana.

Se si desidera tagliare l'erba vicino al cavo di confine in altri momenti, aprire la finestra del tastierino, premere il pulsante home e chiudere la finestra del tastierino. Landroid®L smetterà di tagliare, individuerà il cavo di confine e taglierà l'erba vicino al cavo di confine mentre cerca la base di ricarica. Quindi se si desidera tagliare l'erba vicino al cavo di confine premere il tasto Home e chiudere la finestra del tastierino. Si suggerisce di usare questa funzione quando la batteria ha una potenza superiore al 75%. È possibile controllarla sul display.

### B. Sensori pioggia


Landroid®L dispone di un sensore pioggia (12) nella parte posteriore, che rilevano le gocce di pioggia e indicano a Landroid®L di arrestare il taglio e seguire il filo perimetrale fino alla base di ricarica (Vedere le Fig. B).

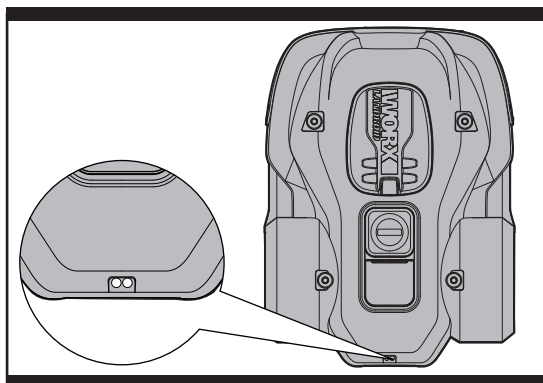
La funzione di partenza ritardata di Landroid®L (0 – 180min) può essere programmata quando piove. Quando i sensori pioggia sono bagnati, Landroid®L ritorna alla sua docking station. Solo quando i sensori pioggia si asciugano Landroid®L inizierà il conto alla rovescia impostato per la partenza ritardata, oppure tornerà a falciare immediatamente. Se si desidera comandare a Landroid®L di procedere e riprendere a tagliare prima del tempo impostato per la funzione "Ritardo avvio pioggia", premere il pulsante di STOP (8), asciugare Landroid®L e chiudere la finestra tastiera (9) per indicargli di riprendere a tagliare. Per ulteriori dettagli, consultare la Guida alla programmazione e alla risoluzione dei problemi.

### C. Rilevazione del filo perimetrale

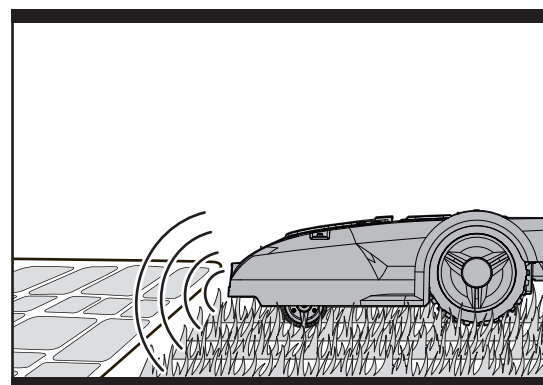
Landroid®L segue sempre il limite impostato dal filo perimetrale e utilizza due sensori nella parte anteriore per rilevare quando si avvicina (Vedere le Fig. C). Prima di cambiare direzione, Landroid®L supera il filo perimetrale fino a 25 cm\*. \*Questa è la distanza raccomandata perché Landroid®L non può calcolare automaticamente la distanza. Utilizzare il distanziatore per un'installazione adeguata.

### D. Avvio e arresto durante la tosatura

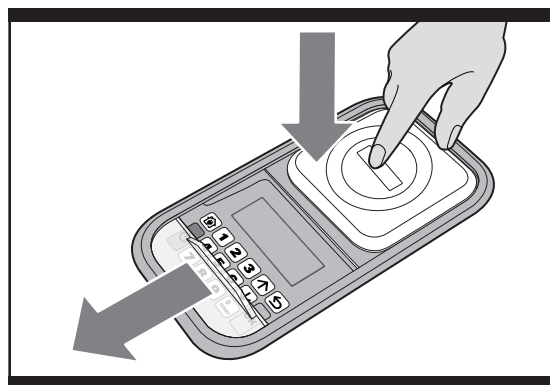
Per comandare a Landroid®L di arrestare la tosatura, basta premere il pulsante di STOP (8) nella parte superiore del tosaerba. Quando lo si preme, Landroid®L apre la finestra tastiera e attende ulteriori comandi. Non inizierà a tagliare nuovamente finché non si preme  e non si chiude la finestra del tastierino (Vedere le Fig. D,E).



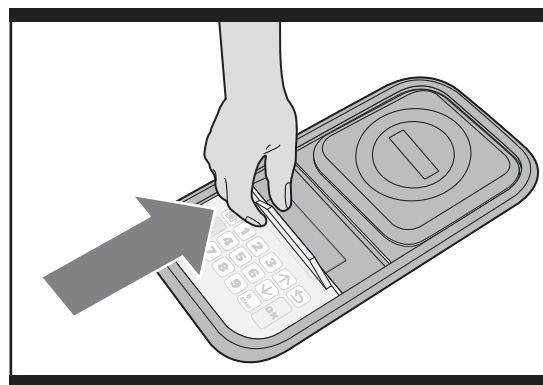
B



C



D





E



Se il Landroid®L sente che qualcosa è sbagliato sul display compare un messaggio d'errore (20), e se non riceve alcun input dall'utente per 20 minuti si spegne (per informazioni sui messaggi di errore, fare riferimento alla Guida alla programmazione e alla risoluzione dei problemi).

Per riavviarlo:

Scena 1: STOP –Spegnimento automatico dopo 20 min.

- Premere il pulsante di STOP.
- Aprire la finestra tastiera.
- Premere il tasto ON/OFF (21) portandolo su ON.
- Premere il tasto  per correggere il problema.
- Premere nuovamente  e chiudere la Finestra del tastierino.
- Landroid®L è quindi pronto per iniziare la tosatura!

Scena 2: STOP– Senza spegnimento automatico.

- Premere il pulsante di STOP.
- Aprire la finestra tastiera.
- Premere il tasto  per correggere il problema.
- Premere nuovamente  e chiudere la Finestra del tastierino.
- Landroid®L è quindi pronto per iniziare la tosatura!

### 3.3 Quanto può essere grande l'area di tosatura di Landroid®L?

Landroid®L è in grado di eseguire la tosatura in aree fino ad aree di dimensioni diverse, sebbene ciò dipenda da vari fattori, tra cui:

- Tipo di erba nel prato e relativo tasso di crescita.
- Acutezza delle lame (17).
- Umidità.
- Temperatura circostante.
- Quantità di ostacoli presenti nel prato.

Se la temperatura circostante è molto fredda nel luogo di residenza, Landroid®L potrebbe caricarsi più lentamente.

Landroid®L utilizza meno energia in aree aperte con una quantità di ostacoli inferiore, come aiuole, fontane, sentieri, ecc...

È possibile trovare il tempo di lavoro predefinito di Landroid®L per prati di dimensioni diverse nella guida alla programmazione.

I tempi di tosatura sono diversi per ogni prato in base ai fattori citati in precedenza. Regolare gradualmente i tempi di tosatura di Landroid®L al giorno fino a trovare l'impostazione più adeguata.

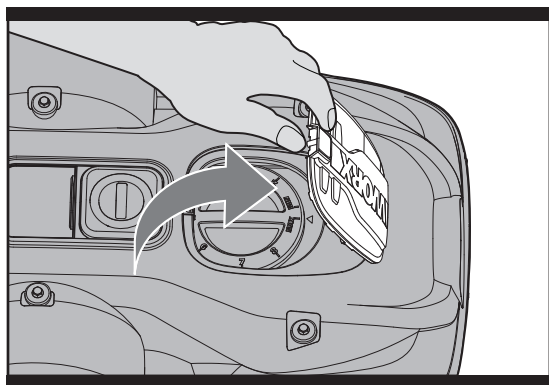
Si può anche programmare la durata del funzionamento del Landroid®L in modo che si adatti alle vostre esigenze – fare riferimento alla guida di programmazione.

### 3.4 Con che efficienza Landroid®L taglia l'erba?

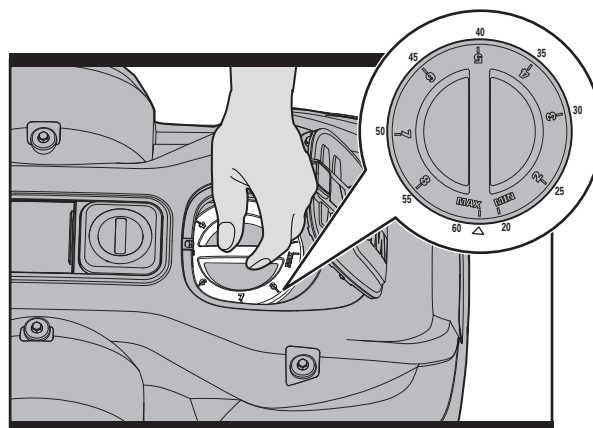
L'altezza di taglio di Landroid®L può essere regolata tra 2cm e 6cm. Prima di avviare il vostro Landroid®L per la prima volta tagliare l'erba non oltre 9 cm. Poi aprire il coperchio del COPERCHIO DI REGOLAZIONE DELL'ALTEZZA DI TAGLIO DELL'ERBA (6) e impostare l'altezza di taglio all'altezza massima di 6cm. (Vedere le Fig. F,G)

Landroid®L offre prestazioni di taglio ottimali in condizioni climatiche asciutte. L'erba bagnata che si può attaccare alla lama rotante (16) e all'interno del motore non gli è congeniale e può anche far perdere trazione provocando scivolamenti durante il funzionamento.

Landroid®L teme i temporali. In caso di temporale, proteggere Landroid®L scollegando la base di ricarica (3), scollegando il



F



G

filo perimetrale (23) e assicurandosi che Landroid®L non possa caricarsi.

Il vostro Landroid®L ama tagliare l'erba e per farlo al meglio ha bisogno che le lame da taglio (17) siano sempre in buone condizioni. Landroid®L è in grado di compiere varie operazioni da solo, ma a volte necessita di aiuto per evitare che si danneggi.

- Evitare che Landroid®L si muova sulla ghiaia
- Rimuovere o sbloccare gli ostacoli sui quali Landroid®L potrebbe accidentalmente salire e con i quali potrebbe danneggiare il disco lama
- Rimuovere tutti i detriti e i corpi estranei dal prato

## 4. Controllo tramite smartphone

Landroid®L (WG797E) può essere collegato a uno smartphone, dal quale è impossibile configurarne tutte le impostazioni generali. Sul display dello smartphone vengono inoltre visualizzati lo stato corrente e perfino gli errori. Per le impostazioni dettagliate, consulta la Guida alla connessione Wifi di Landroid®L.

## 5. Nozioni di base relative al filo perimetrale

### 5.1 Per fissare il filo perimetrale

Usare il misuratore di distanza del Cavo di confine (26) per stabilire la distanza corretta dal confine del vostro patio (Oltre 45cm \*).

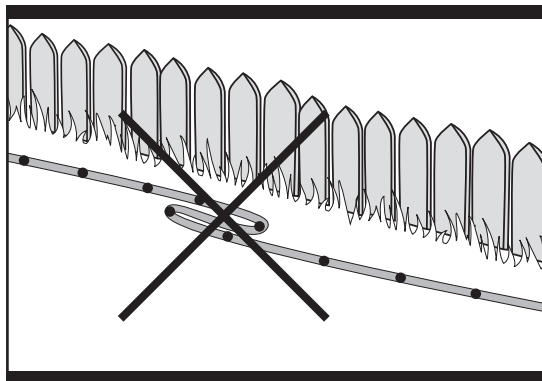
\* Questa è la distanza consigliata. Usare il misuratore di distanza in dotazione per assicurare un'installazione corretta.

Se anche i vostri vicini usano un Landroid®L, occorre mantenere una distanza di almeno 2 metri tra il cavo di confine e loro.

Tenere presente che il vostro Landroid®L, non riuscirà a ricevere un segnale dal cavo di confine se la distanza supera i 25 mt.

Il filo perimetrale deve delimitare esattamente l'area di taglio prevista.

Landroid®L potrebbe confondersi in presenza di altre curve o bobine di filo perimetrale che non fanno parte della sua area di taglio (Vedere la Fig. H). In caso di eccesso di filo perimetrale una volta delimitata l'area di taglio, tagliare e conservare il filo in un altro luogo. Tuttavia, è importante lasciare la lunghezza necessaria nel punto in cui si collega alla base di ricarica in modo che possa collegarsi e rimanere interrato.



H

53

### 5.2 Per interrare il filo perimetrale

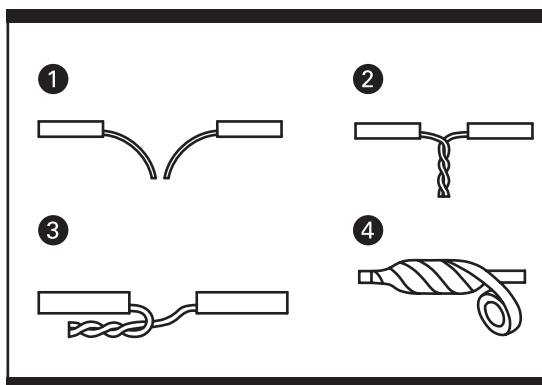
Se si pianifica di seppellire il cavo perimetrale, si noti che, quando entra nella base di ricarica per la prima volta, Landroid®L potrebbe avere problemi a rilevare il filo interrato. Si raccomanda prima di fissare il cavo di confine con le apposite pinze al prato per facilitare eventuali aggiustamenti che dovessero essere necessari. Ciò consentirà di verificare il funzionamento del Landroid®L nel nuovo ambiente garantendone il funzionamento in relazione alla base di ricarica prima di seppellire il cavo di confine.

Al termine dell'installazione del cavo di confine si raccomanda di chiedere al Landroid®L di seguirlo premendo il tasto Home.

Mentre si osserva il Landroid®L che individua la stazione di ricarica si possono fare modifiche alla strada del cavo di confine per assicurarsi che il Landroid®L sia in grado di seguirlo quando torna alla stazione di ricarica.

### 5.3 Per unire il filo perimetrale

Il filo perimetrale (23) può essere esteso per renderlo più lungo semplicemente congiungendo le estremità e collegandolo alle estremità di un altro pezzo di filo. È possibile utilizzare nastro adesivo per fissare la parte unita del filo. (Vedere le Fig. I)



I

### 5.4 Accensione e controllo dell'installazione

Se non si accende la luce del caricatore, controllare i collegamenti elettrici.

Se il LED della base di ricarica vostro Landroid®L lampeggia in verde, controllare se il cavo di confine è collegato bene o se è tagliato.

Rossa accesa: in carica.

Luce rossa lampeggiante: messaggio di errore: fare riferimento alla risoluzione dei problemi e correggere il problema.

Luce verde lampeggiante: controllare che il cavo di confine sia collegato correttamente.

Quando è illuminata la luce verde sulla base di ricarica, sistemare il Landroid®L sul cavo di confine, se il Landroid®L segue il cavo di confine è collegato correttamente.

Se il vostro Landroid®L si trova all'interno della sua area designata ma sul display compare "fuori dall'area di taglio" e il LED è acceso, significa che avete bloccato le estremità del cavo di confine in modo scorretto. Invertirle.

## 6. Aggiornamento del software

Il software di Landroid®L può essere aggiornato quando sono disponibili nuove versioni. La versione del software sarà visualizzata nel display. Il manuale contenuto nella confezione si riferisce al software installato "di serie". Alcune nuove caratteristiche/funzioni disponibili nella nuova versione potrebbero non essere descritti nel manuale. Per le impostazioni non descritte nel manuale contenuto nella confezione, visitare il sito web [www.worxlandroid.com](http://www.worxlandroid.com) per scaricare l'ultima versione del manuale. È possibile verificare la versione del software installata sulla propria macchina, premendo il tasto ON/OFF.

L'ultima versione del software può essere scaricata dal nostro sito web (vedere le istruzioni per il download e l'installazione sotto).

Passaggio 1: L'ultima versione del software è disponibile su: [www.worxLandroid.com](http://www.worxLandroid.com).

Copiare il file ".bin", contenente l'ultima versione del software, in una chiavetta di memoria USB. Nota: prima di trasferire il file ".bin", accertarsi che la chiavetta di memoria non contenga altri file o dati.

Passaggio 2: Aprire il coperchio sul fondo e rimuovere la batteria; quindi inserire il disco U nella porta USB. (Vedere la Fig. J1)

Passaggio 3: Inserire il pacco batteria e mantenere premuto il tasto ON/OFF per dieci secondi fino a quando il tosaerba si accende. La nuova versione del software viene visualizzata nell'angolo a destra del display. (Vedere la Fig. J2)

Passaggio 4: Rimuovere la chiavetta di memoria e rimontare il coperchio della batteria.

Passaggio 5: Dopo l'installazione del nuovo software, sarà necessario resettare il pannello diagnostico sul tosaerba. Per prima cosa, posizionare il tosaerba su una superficie orizzontale.

Premere il tasto "2" per entrare nell'interfaccia diagnostica, quindi mantenere premuto per qualche secondo il tasto "5" fino a quando i tre numeri 1, 2 e 3 evidenziati sotto tornano a zero. (Vedere la Fig. J3)

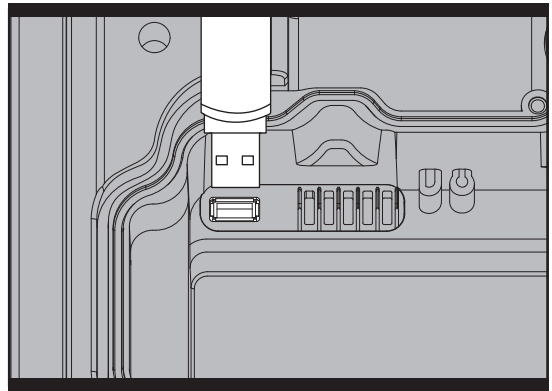
## 7. Manutenzione

Controllare periodicamente Landroid®L. Landroid®L lavora sodo e dopo un certo periodo di tempo ha bisogno di una buona pulizia e di sostituire le sue parti, le quali potrebbero usurarsi. Nella seguente documentazione desideriamo mostrare come lasciar adattare il nuovo Landroid®L alla sua nuova casa offrendogli la migliore assistenza possibile.

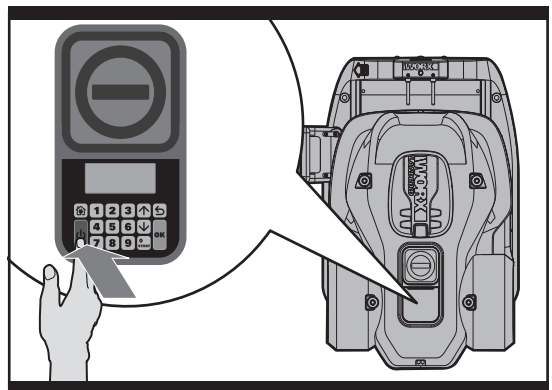
### 7.1 Mantenere affilate le lame



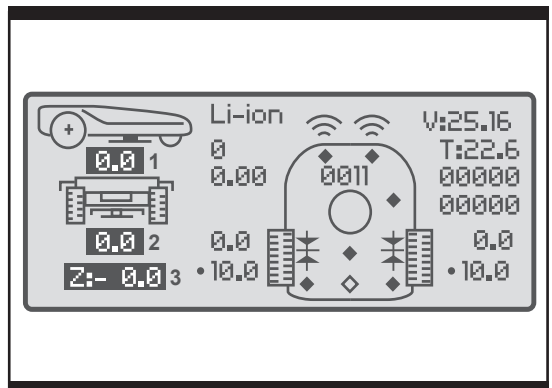
**AVVISO: Prima di pulire, regolare o sostituire le lame, spegnere Landroid®L premendo il pulsante ON/OFF su OFF e indossare guanti protettivi.**



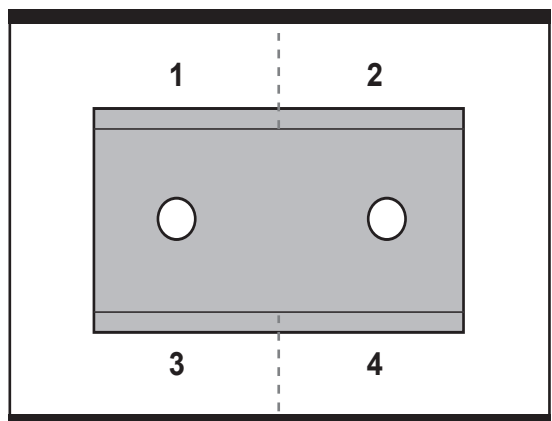
J1



J2



J3



K



**AVVISO: Per sostituire le lame, Sostituire TUTTE le lame contemporaneamente. Se la lama è nuova, ma la vite è stata riutilizzata, la vite potrebbe usurarsi durante la tosatura causando la fuoriuscita violenta della lama dal tosaerba. Ciò potrebbe causare serie lesioni.**

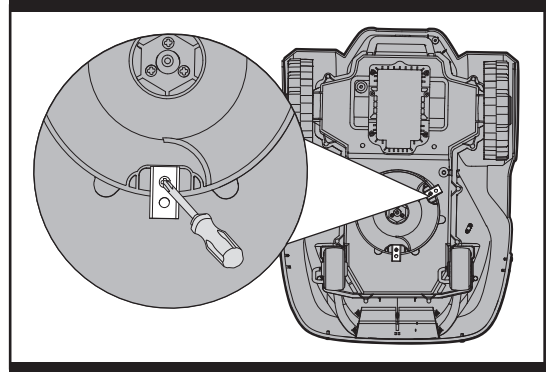
Landroid®L non taglia l'erba come altri tosaerba. Le sue lame (17) sono affilissime su tutti i 4 lati e ruotano in entrambe le direzioni raggiungendo la massima capacità di taglio (Vedere le Fig. K).

Ogni lama del Landroid®L ha 4 estremità taglienti. A seconda della frequenza con cui Landroid®L tosa l'erba del giardino e per ottenere un taglio perfetto, le lame devono essere periodicamente capovolte/ruotate. Ad esempio se Landroid®L è programmato per rasare l'erba ogni giorno, le lame devono essere ruotate ogni mese per garantire una tosatura ottimale.

Ogni lama durerà 4 mesi se il dispositivo è programmato per tagliare l'erba ogni giorno. Quando le lame sono smussate e usurate devono essere sostituite dalle lame di ricambio fornite con Landroid®L. Le lame di ricambio sono anche disponibili dal rivenditore Worx più vicino.

### A. Ruotare e capovolgere le lame

Landroid®L dispone di lame, tutte avvitate sul disco lama (16). Le lame sono ciò che consentono a Landroid®L di svolgere il suo lavoro e necessitano di cura e attenzione. Ogni tanto è necessario ruotare e capovolgere contemporaneamente tutte le lame per ottenere un taglio perfetto. Quando si ruotano e capovolgono le lame, assicurarsi che tutte le lame siano regolate contemporaneamente. In caso contrario, potrebbero sbilanciare il disco lama. Qualora Landroid®L tagli con normale frequenza (quotidiana), le lame devono durare una stagione se ruotate e capovolte ogni mese. Verificare sempre se le lame sono scheggiate o danneggiate e sostituirle, se necessario.



L

### B. Sostituire le lame (Vedere le Fig. L)

Dopo un certo periodo di tempo, di solito dopo ogni stagione, le lame di Landroid®L devono essere sostituite. Landroid®L non gradisce eseguire la tosatura con lame di anni e qualità diversi.

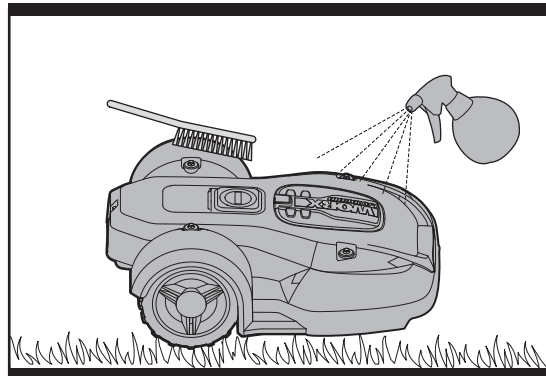
Pertanto, quando si sostituiscono le lame, assicurarsi di sostituirle tutte contemporaneamente. È possibile sostituirle con uno dei tre kit di lame di ricambio e le viti della lama supplementare in dotazione con Landroid®L.

Prima di sostituire le lame del vostro Landroid®L spegnerlo e indossare guanti di protezione.

Quindi attenersi alle seguenti procedure:

1. Capovolgere delicatamente Landroid®L
2. Rimuovere il coperchio della batteria e rimuovere la batteria.
3. Svitare le viti delle lame con un cacciavite a taglio
4. Avvitare saldamente le nuove lame
5. Risistemare la batteria e il coperchio della batteria.

**IMPORTANTE: Una volta avvitata la lama sul disco lama, assicurarsi che la lama ruoti liberamente.**



M

## 7.2 Pulizia



**AVVISO: Prima di eseguire la pulizia, spegnere Landroid®L premendo il pulsante ON/OFF su OFF. Indossare guanti protettivi prima di pulire il disco lama (16) e non utilizzare acqua corrente. (Vedere le Fig. M)**

### A. Pulizia del corpo

Landroid®L dura più a lungo e meglio se pulito periodicamente. Dal momento che il vostro Landroid®L è un apparecchio elettrico dovete fare attenzione quando lo pulite, quindi NON usare una canna, apparecchi ad alta pressione o versare acqua corrente sul Landroid®L, è meglio usare una bottiglia spray piena d'acqua. Per pulire il corpo dell'apparecchio usare un pennello morbido o un panno pulito ed evitare solventi o vernici (Vedere Fig. M). Infine rimuovere tutti gli accumuli d'erba e di sporco.

### B. Pulire la parte inferiore

Anche in questo caso, è importante spegnere Landroid®L utilizzando il pulsante On/Off e indossare guanti protettivi prima di toccare il disco lama (16).

Prima capovolgere il Landroid®L per esporre la parte inferiore.

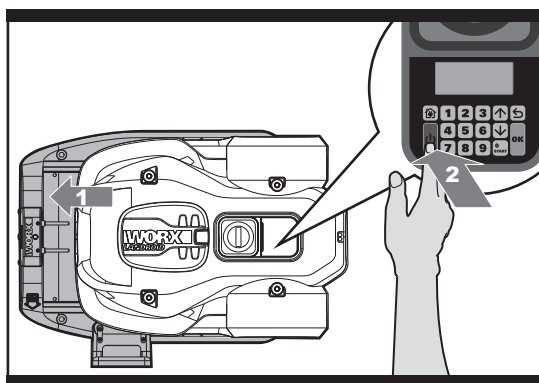
Qui si può notare il disco lama, il telaio scatolato motore circostante (14) e le ruote anteriori (18) e motrici (11). Pulire tutto

accuratamente con una spazzola morbida o un panno umido. Ruotare il disco della lama per assicurarsi che ruoti liberamente. Controllare che le lame girino liberamente attorno alle viti di fissaggio. Rimuovere qualsiasi ostacolo.

**IMPORTANTE: Rimuovere i detriti depositatisi in modo che non causino crepe nel disco lama. Anche la più piccola crepa può ridurre la potenza di taglio di Landroid®L.**

### C. Pulizia dei pin di contatto e delle strisce di ricarica

Pulire con un panno i pin di contatto (2) situati sulla base di ricarica (3) e le strisce di ricarica (5) situate su Landroid®L. Rimuovere periodicamente tutto l'accumulo di erba tagliata e di detriti intorno ai pin di contatto e alle strisce di ricarica per garantire ogni volta il corretto caricamento di Landroid®L.



**N**

## 7.3 Durata della batteria

Il cuore di Landroid®L è costituito da una batteria al litio a 28 V. Non occorre manutenzione. Per riporre la batteria in modo corretto, assicurarsi che sia completamente carica e riporta in un luogo asciutto tra (20°C-60°C).

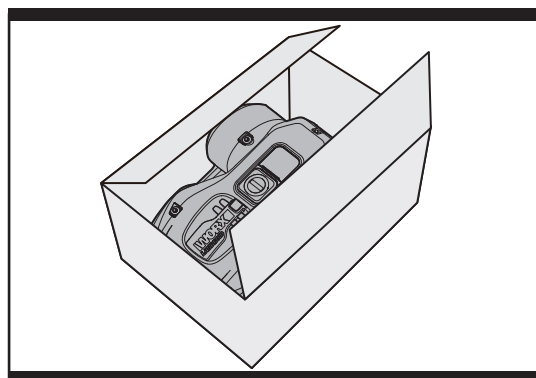
La vita utile della batteria di Landroid®L dipende da vari fattori, tra cui:

- La durata della stagione di tosatura nella propria regione
- La quantità di ore in cui Landroid®L esegue la tosatura al giorno
- La cura della batteria quando viene conservata

Il Landroid®L si può caricare manualmente senza cavo di confine. (Vedere le Fig. N)

**Per caricare la batteria manualmente senza collegare il cavo di confine alla base di ricarica;**

- 1. Connettere la Base di Ricarica ad una fonte di alimentazione adatta.**
- 2. Mentre Landroid®L è spento, agganciarlo manualmente alla Base di Ricarica.**
- 3. L'indicatore luminoso rosso della base di ricarica si illumina.**
- 4. Entro 3 secondi e prima che l'indicatore luminoso della base di ricarica diventi verde premere il tasto di alimentazione ON/OFF del Landroid®L.**
- 5. Chiudere La Finestra della tastiera, e il Landroid®L inizierà la ricarica.**



**O**

## 7.4 Imessaggio invernale

Landroid®L dura più a lungo e conserva le prestazioni ottimali se viene riposto al coperto. Perciò, sebbene sia resistente, si consiglia di riporre Landroid®L nella rimessa o nel garage durante l'inverno.

Prima di riporre al coperto Landroid®L, assicurarsi di:

- Pulire accuratamente Landroid®L.
- Caricare completamente la batteria.
- Spegnerne il tosaerba.

La batteria deve essere completamente caricata una volta durante l'inverno al fine preservare le condizioni ottimali per la stagione successiva.

Quando si conserva Landroid®L, poggiarlo in piano su tutte le quattro ruote in un luogo asciutto, lontano da condizioni climatiche ghiacciate. Si consiglia di conservare Landroid®L nella confezione originale. È preferibile conservare la base di ricarica, il cavo di bassa tensione (4) e il trasformatore (22) all'interno durante la stagione invernale. (Vedere le Fig. O)

Il filo perimetrale può essere lasciato nel terreno, anche se le sue estremità devono essere protette, ad esempio collocandole in una lattina di grasso. Se la base di ricarica viene lasciata fuori durante l'inverno, lasciare il filo perimetrale collegato.

**NOTA:** Quando si riattiva Landroid®L dal rimessaggio invernale, assicurarsi che le strisce di ricarica (5) e le pin di contatto (2) siano pulite. È meglio utilizzare carta vetrata fine. Assicurarsi quindi che data e ora siano corretti e riportare Landroid®L al suo tanto adorato lavoro: la tosatura.



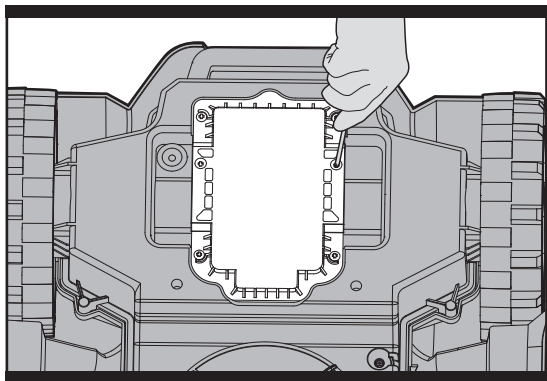
## 7.5 Sostituzione della batteria



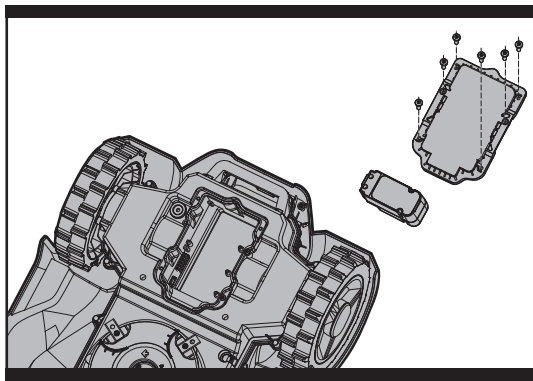
**AVVISO: Premere il tasto ON/OFF su OFF prima di effettuare qualsiasi regolazione, sostituzione o riparazione.**

Per sostituire la batteria, attenersi alle seguenti procedure:

1. Capovolgere delicatamente Landroid®L
2. Rimuovere le sei viti sulla batteria. (Vedere le Fig. P)
3. Estrarre la vecchia batteria. (Vedere le Fig. Q)
4. Inserire la nuova batteria.
5. Reinscrivere saldamente le 6 viti.



**P**



**Q**

## Tutela ambientale



I prodotti elettrici non possono essere gettati tra i rifiuti domestici. L'apparecchio da rottamare deve essere portato al centro di riciclaggio per un corretto trattamento. Controllare con le autorità locali o con il rivenditore per localizzare il centro di riciclaggio più vicino.



Copyright © 2015, Positec. All Rights Reserved.  
2CLM80DPK11001A2