


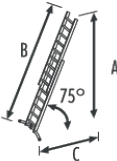
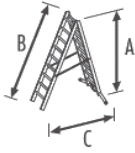
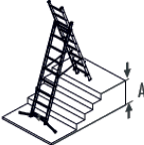
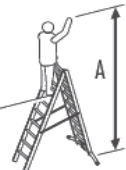
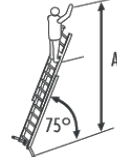
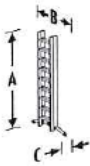



Produktdatenblatt

	
Marke	
Art.-Nr.	630917100000
	2 x 11
	A = 500 cm B = 519 cm C = 142 cm
	A = 314 cm B = 318 cm C = 207 cm
	A = 52 cm
	A = 435 cm
	A = 603 cm
	A = 328 cm B = 46 cm C = 12 cm
	14.5