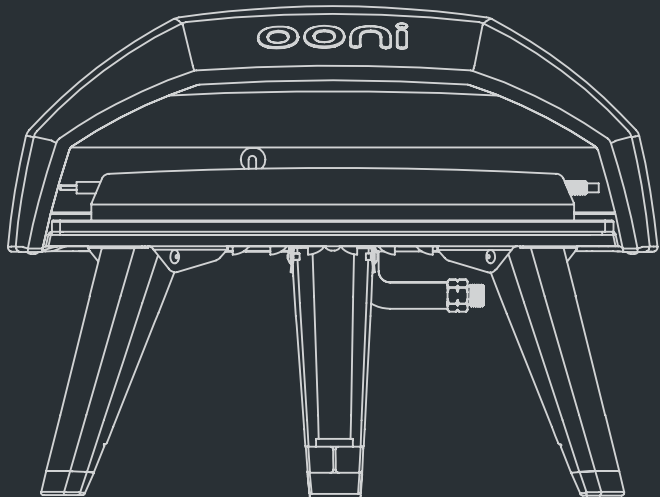




Ooni Koda 12

Manual & Safety Instructions

CE-EUROPE



ooni

 Manufacturer: Ooni Limited, Unit 5, Bishopsgate Business Center,
189 West Main Street, Broxburn, Scotland, EH52 5LH
Model: Ooni Koda

 0063-20
0063CT7478

EN

Category	<input type="checkbox"/> I3+(28-30/37)		<input type="checkbox"/> I3B/P(30)	<input type="checkbox"/> I3B/P(37)	<input type="checkbox"/> I3B/P(50)
Type of gas	Butane	Propane	Butane, propane or their mixture		
Gas pressure	28-30 mbar	37 mbar	28-30 mbar	37 mbar	50 mbar
Total heat input	4.0 kW				
Appliance type	A1				
Injector size/markings	0.75mm/0.75	0.75mm/0.75	0.68mm/0.68	0.64mm/0.64	
Destination countries	BE, CH, CZ, ES, FR, GB, IE, IT, LU, PT		DK, EE, FI, IS, IT, NL, NO, SE	PL	AT, CH, DE

This appliance shall be installed in conformity with the current regulations and used only in a well-ventilated location. Consult the instructions before installing and using this appliance.

WARNINGS

WARNING

To reduce the risk of fire, burn hazard or other injury, read this safety manual carefully and completely before using this appliance.

WARNING

Before cleaning, make sure the gas supply and control knob is in the OFF position and that the burner and oven has cooled.

WARNING

Never operate this appliance unattended. If a fire should occur, keep away from the appliance and immediately call your fire department. Do not attempt to extinguish an oil or a grease fire with water.

Failure to follow these instructions could result in fire, explosion or burn hazard which could cause property damage, personal injury or death.

WARNING

Use in a well-ventilated location.

DANGER

If you smell gas:

- Shut off gas to the appliance
- Extinguish any open flame
- If odour continues, keep away from the appliance and immediately call your gas supplier or your fire department.

WARNING

- Keep the fuel supply hose away from any heated surface(s).
- The use of alcohol, prescription or non-prescription drugs may impair the consumer's ability to properly assemble or safely operate the appliance.
- Keep children and pets away from the appliance at all times.
- Do not move the appliance when in use.
- This appliance is not intended for and should never be used as a heater.

WARNING

Turn off the gas supply at the gas cylinder after use.

WARNING

Do not modify the appliance

WARNING

Spiders and insects can nest inside the burner of the appliance and disrupt gas flow. Inspect the burner at least once a year.

WARNING

When using a match to light the appliance, make sure to use the included matchstick holder.

WARNING

Do not store this appliance indoors unless the gas cylinder is disconnected.

WARNING

Do not store gas cylinder in a building, garage or any other enclosed area and keep out of reach of children at all times.

WARNING

This appliance is not intended to be installed in or on recreational vehicles and/or boats.

WARNING

Check all gas supply fittings for leaks before each use. Do not use the appliance until all connections have been checked and do not leak.

WARNING

Do not smoke while leak testing. Never leak test with an open flame.

WARNING

When lighting, keep your face and hands as far away from the appliance as possible.

WARNING

Minimum clearance from sides of unit to combustible construction is 610mm (24 inches).

WARNING

This appliance must be kept away from flammable materials during use

- The parts which have been sealed by the manufacturer should not be adjusted by the user
- When the appliance is using LPG A LPG cylinder should be used
- The LPG cylinder size: max diameter-350mm, max height-400mm.
- The appliance is to be installed with sufficient ventilation to prevent the occurrence of unacceptable concentrations of substances harmful to health in the room in which the appliance is installed
- The minimum distances between the appliance and adjacent walls is 0.5m
- The hose for the appliance should not exceed 1.5m
- The appliance should be installed in a suitably ventilated room. Permanent supply of fresh air is ensured and there is no accumulation of unburned gases
- The gas supply tubing or hose shall comply with the national requirements in force and shall be periodically examined and replaced as necessary.
- The hose should comply with the standard EN16436. The regulator should comply with the standard EN16129.
- The hose and regulator assembly may not be provided with the appliance in some regions.
- Check and suitably clean the inside of the oven before it is lit in order to avoid the emission of fire from the oils that have accumulated during previous cooking.
- The burner outlets should be checked for obstruction during previous cooking.
- The burner outlets should be checked for obstruction and cleaned regularly with a soft wire brush.
- It is necessary to avoid obstruction and to allow for a good combustion

BEFORE LIGHTING

Inspect the gas supply hose prior to turning on the gas. If there is evidence of cut, wear or abrasion, it must be replaced prior to use. Screw the regulator onto the gas cylinder. Leak check the hose and regulator connections with a soap and water solution before lighting the appliance.

⚠ LP GAS CYLINDER WARNING

1. Do not store spare liquid propane gas cylinder under or near this appliance.
2. Never fill the cylinder beyond 80 percent capacity.
3. Liquid propane cylinder must be fitted with an OVERFILL PROTECTION DEVICE (OPD).
4. If the information above is not followed exactly, a fire resulting in death or serious injury may occur.

SAFETY PRACTICES TO AVOID INJURY

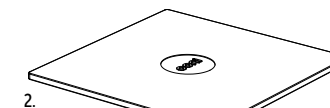
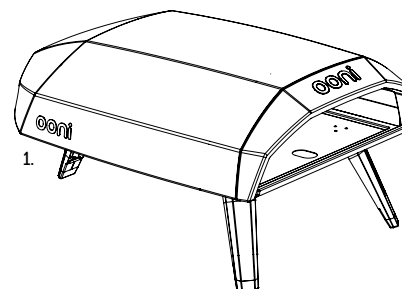
When properly cared for, your oven will provide safe, reliable service for many years. However, extreme care must be used as the oven produces intense heat that can increase the risk of accidents.

When using this oven basic practices must be followed, including but not limited to following:

- Do not repair or replace any part of the oven unless specifically recommended in this manual. All other service should be referred to a qualified technician.
- Children should not be left alone or unattended in an area where the oven is being used. Do not allow children to sit, stand or play around the oven at any time.
- Never let clothing or other flammables come in contact with or too close to any burner or hot surface until it has cooled. The fabric could ignite, causing serious personal injury.
- For personal safety, wear proper apparel. Loose fittings garments or sleeves should never be worn while using the oven. Some synthetic fabrics are highly flammable and should not be worn while cooking.
- Do not heat unopened food containers as a buildup of pressure may cause the containers to burst. When lighting the burner, always pay close attention to what you are doing.
- When using the oven, do not touch the outer shell, stone baking board or immediate surroundings as these areas become extremely hot and could cause burns.
- Do not use the oven to cook extremely fatty meats or other products which increase flare-up.
- Keep the area surrounding the oven free from combustible material including fluids, trash and vapours such as gasoline or charcoal lighter fluid.
- Do not obstruct the flow of combustion and ventilation air.
- Never use the oven in extremely windy conditions.
- The temperature under the oven is high. Do not place the oven on a table with flammable table cloths, plastic or any other inflammable materials.

PARTS LIST

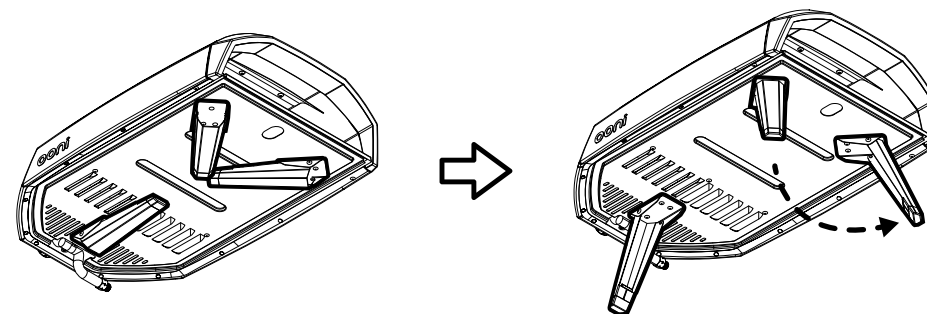
1. Ooni Koda
2. Stone baking board



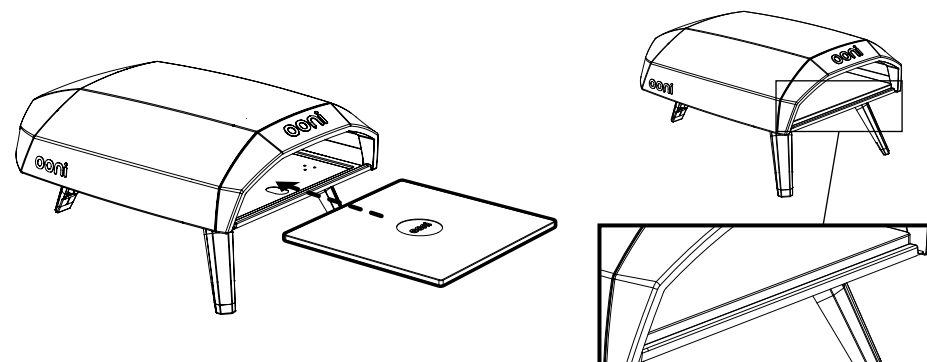
ASSEMBLY

Before assembly, make sure all parts are present. If any part is missing or damaged, do not attempt to assemble the appliance. Contact customer service for replacement parts.

1. Unfold legs



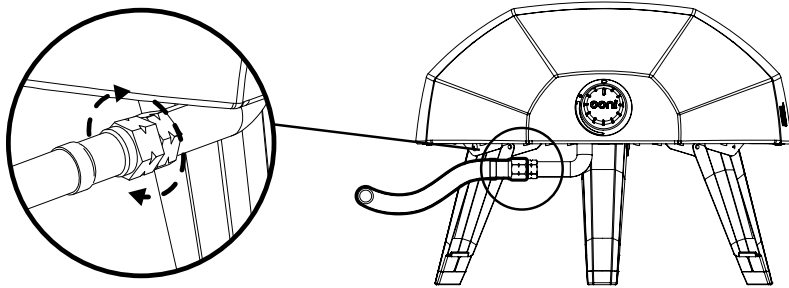
2. Insert the stone baking board



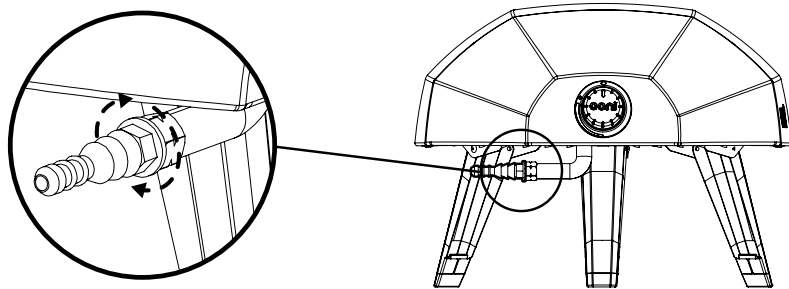
3. Connecting gas hose to Ooni Koda

Depending on your region the hose may be preassembled.

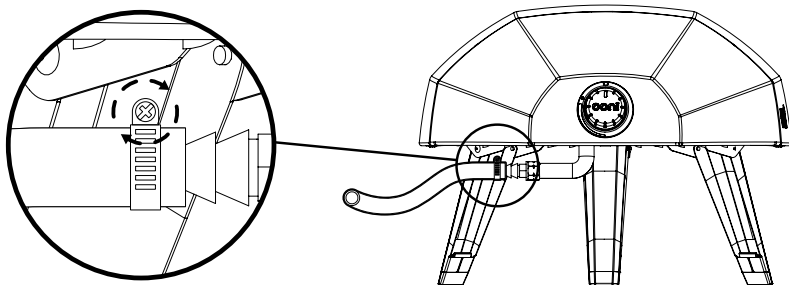
3a. Connecting gas hose directly to Ooni Koda



3b i). Connecting barb to Ooni Koda



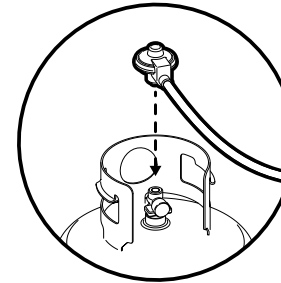
3b ii). Connecting gas hose to barb



4. Connecting to gas tank

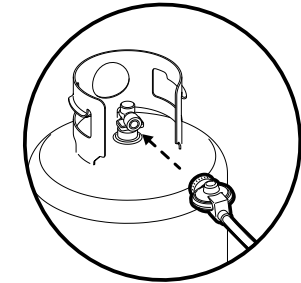
⚠ WARNING

- Please always keep the gas bottle in upright position.
- The size for 20 lbs LP gas cylinder is 12.2 inches in diameter and 17.9 inches tall
- If the appliance is not in use, the gas must be turned off at the supply cylinder.
- The cylinder used must include a collar to protect the cylinder valve.
- The minimum distance for the appliance and the 20lb gas tank is 25 inches apart.



PATIO GAS REGULATOR

This is a push-on gas fitting. Ensure that the black switch is in the horizontal position. Depress the button located below the black switch and press the regulator on to the tank valve until it locks into place.



POL GAS REGULATOR

This gas fitting is counterclockwise. Make sure that the tank is completely switched off and screw the regulator as far as possible into the gas tank valve.

CONNECTING THE LIQUID PROPANE GAS CYLINDER

1. To connect the liquid propane gas cylinder:
2. The cylinder valve should be in **OFF** position.
3. Make sure the burner valve is in **OFF** position.
4. Inspect the valve connections, port and regulator assembly. Remove debris and inspect the hose for damage.
5. When connecting the regulator assembly to the valve, use your hand to tighten the nut clockwise until it stops.
Use of a wrench could damage the quick coupling nut and result in a hazardous situation.
6. Open the cylinder valve fully by turning the valve counterclockwise.
7. Before lighting the oven, use a soap and water solution to check all connections for leaks.
8. If a leak is found, turn the cylinder valve OFF, and do not use the oven until local liquid propane dealer can make repairs.

CONNECTING THE LIQUID PROPANE GAS CYLINDER

1. Turn the oven burner valve OFF and make sure the oven is cool.
2. Turn the liquid propane cylinder valve OFF by turning clockwise until it stops.
3. Detach the regulator assembly from the cylinder valve by turning the quick coupling nut counterclockwise.
4. Place dust cap for cylinder valve outlet whenever the cylinder is not in use.

LEAK TESTING

GENERAL

Although the gas connections of the appliance are leak tested prior packing and shipment, a complete test must be performed at the installation site.

Before each use, check all the gas connections for leak testing using the procedure listed below. If the smell of gas is detected at any time, you should immediately stop using and check the entire system for leaks.

BEFORE TESTING

Make sure all packing material has been removed from the appliance.

Make a solution of one part liquid detergent and one part water. You will need a spray bottle, brush or rag to apply the solution to the fittings.

TO TEST

1. Turn the burner valve **OFF**
2. Turn the liquid propane cylinder valve on counterclockwise to open the valve.
3. Apply the soap solution to all gas fittings. Soap bubbles would appear where a leak is present.
4. If a leak is present, immediately turn the gas supply **OFF** and tighten leaky fittings.
5. Turn the gas back **ON** and recheck.
6. Should the gas continue to leak from any of the fittings, turn the gas supply **OFF** and contact customer service.

OPERATING INSTRUCTIONS

USING THE OVEN

Each burner is rated at 4.0KW. To begin:

1. Make sure the oven has been leak tested and properly placed.
2. Remove any remaining packing material.
3. Light the burner using the LIGHTING INSTRUCTIONS below

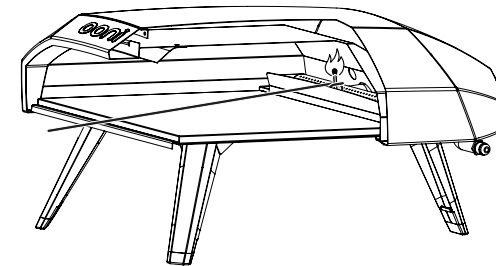
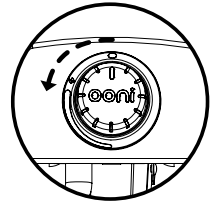
LIGHTING INSTRUCTION

TO LIGHT THE BURNER

1. Make sure the control knob is in OFF position, and then turn the liquid propane cylinder valve ON by slowly turning counterclockwise.
2. Push in and slowly turn the control knob anticlockwise until you hear a click and the burner ignites.
3. If burner doesn't light, turn the knob OFF, wait 5 minutes and repeat the lighting.

TO LIGHT WITH A MATCH

1. If burner will not light after several attempts using the control knob, the burner may be lit with a match.
2. If you have already attempted to light the burner using the control knob, wait 5 minutes for any gas to dissipate.
3. Insert a match into the matchstick holder, ignite the match and insert through the oven opening to the burner.
4. Push and turn the control knob to HI slowly, the burner should ignite immediately.
5. If the burner does not light within seconds, turn the control knob OFF and wait 5 minutes and try again.



CARE AND MAINTENANCE

Store Ooni Koda out of direct sunlight and indoors where possible and when storing for extended periods of time. Ooni Koda should not be exposed to harsh weather conditions such as snow, heavy rain and strong winds.

Wait for Ooni Koda to cool completely before moving

The outer shell of Ooni Koda may fade over time and through use. This will not affect performance.

STONE BAKING BOARD

1. DO NOT use the stone over an open flame
2. Avoid extreme temperature change to the stone. DO NOT place frozen foods on a hot stone
3. The stone is fragile and can break if bumped or dropped
4. The stone is very hot during use and stays hot for a long time after use.
5. DO NOT cool the stone with water when the stone is hot
6. After cleaning the stone with water, please dry the stone before use. This can be done in a conventional oven at 60°C (140°F) for 2 hours.

TROUBLESHOOTING

Problem	Possible Cause	Prevention/Solution
Burner will not light	<ol style="list-style-type: none"> 1. No gas flow 2. Coupling nut and regulator not fully connected 3. Obstruction of gas flow 4. Disengagement of burner to valve 5. Incorrect assembly 	<ol style="list-style-type: none"> 1. Check to see if propane tank is empty 2. Turn the coupling nut about one-half to three quarters additional turn until solid stop. Tighten by hand only - do not use tools 3. Clear burner tube 4. Reengage burner and valve 5. Check steps in assembly instructions
Sudden drop in gas flow or low flame	<ol style="list-style-type: none"> 1. Out of gas 	<ol style="list-style-type: none"> 1. Check for gas in propane tank 2. Turn off gas control knob, wait 30 seconds and light oven. If flames are still low, turn off gas control knob and propane tank valve. Disconnect regulator. Reconnect regulator and leak test. Turn on propane tank valve, wait 30 seconds and then light oven.
Flames blow out	<ol style="list-style-type: none"> 1. High or gusting winds 2. Low on propane gas 	<ol style="list-style-type: none"> 1. Turn front of oven away from wind 2. Refill propane tank 3. Refer to Sudden drop in gas flow above
Flare-up	<ol style="list-style-type: none"> 1. Grease build up 2. Excessive fat in meat 3. Excessive cooking temperature 4. Excess flour on the cooking surface 	<ol style="list-style-type: none"> 1. Clean oven 2. Trim fats from meat before cooking 3. Adjust (lower) temperature accordingly 4. Brush remnant flour from cooking surface 5. Flip stone
Flashback (fire in burner tube, roaring sound from burner)	<ol style="list-style-type: none"> 1. Burner and/or burner tubes are blocked 2. Pressure drop during ignition 	<ol style="list-style-type: none"> 1. Turn gas control knob off. Clean burner and/or burner tubes. 2. Turn off oven, ensure the tank valve is fully open (if applicable) and relight.

TRANSLATIONS

CZ	čeština	10
DE	deutsche	15
DK	dansk	20
EE	eesti	25
ES	español	30
FI	suomi	35
FR	français	40
IS	íslensku	45
IT	italiano	50
NL	nederlands	55
NO	norsk	60
PT	português	65
SE	svenska	70
HE	עברית	75
SI	Slovenščina	80

NÁVOD K POUŽITÍ PECE NA PIZZU NA ZKAPALNĚNÝ ROPNÝ PLYN (LPG)

VAROVÁNÍ

VAROVÁNÍ

Před použitím tohoto zařízení si pečlivě přečtěte celý tento návod k použití, abyste zamezili riziku ohně, popálení či jiného zranění.

VAROVÁNÍ

Před čišťením zařízení se ujistěte, že je přívod plynu i ovládací knoflík v poloze OFF (vypnuto) a hořák i trouba jsou vychladlé.

VAROVÁNÍ

Při používání toto zařízení nikdy nenechávejte bez dozoru. Pokud dojde ke vzniku požáru, držte se od zařízení v bezpečné vzdálenosti a okamžitě zavolejte hasiče. Hořící olej či tuk se nepokoušejte uhasit vodou.

Pokud se nebudete řídit těmito pokyny, může dojít ke vzniku ohně, výbuchu či riziku popálení a následnému poškození majetku, zdraví osob či jejich smrti.

VAROVÁNÍ

Používejte na dobře větraném místě.

NEBEZPEČÍ

Pokud cítíte plyn:

- vypněte přívod plynu do zařízení
- uhasťte jakýkoli otevřený oheň
- pokud i nadále cítíte unikající plyn, držte se od zařízení dále a okamžitě kontaktujte svého dodavatele plynu či hasiče.

VAROVÁNÍ

- Zabraňte styku přívodní hadice s jakýmkoli horkým povrchem.
- Užití alkoholů, léků na předpis či volně prodejných léků může omezit schopnost spotřebitele řádně sestavit či provozovat toto zařízení.
- Za všech okolností zamezte v kontaktu dětí a zvířat se zařízením.
- Pokud je zařízení používáno, nepřemísťujte je.
- Toto zařízení není určeno k vytápění a nesmí k tomuto účelu být nikdy použito.

VAROVÁNÍ

Po použití vypněte přívod plynu na plynové láhvi.

VAROVÁNÍ

Jakékoliv úpravy spotřebiče mohou být nebezpečné.

VAROVÁNÍ

V hořáku zařízení se mohou uhnízdit pavouci či hmyz a mohou přerušit přívod plynu. Zkontrolujte hořák nejméně jednou ročně.

VAROVÁNÍ

Pokud k zapálení ohně v zařízení použijete zápalky, využijte držák zápalek dodaný spolu se zařízením.

VAROVÁNÍ

Při skladování zařízení ve vnitřních prostorách odpojte plynovou láhev.

VAROVÁNÍ

Plynovou láhev neskladujte v budovách, garážích či jiných uzavřených prostorách a za všech okolností zamezte přístupu dětí k této tlakové láhvi.

VAROVÁNÍ

Toto zařízení není určeno k instalaci a použití v obytných autech či na lodích.

VAROVÁNÍ

Před každým použitím zkontrolujte armatury, zda nedochází k úniku plynu. Nepoužívejte zařízení, dokud neprovedete kontrolu všech spojů.

VAROVÁNÍ

Při kontrole možných úniků nekuřte. Kontrolu nikdy neprovádějte s otevřeným ohněm.

VAROVÁNÍ

Při zapalování ohně mějte tvář a ruce co nejdále od zařízení.

VAROVÁNÍ

V bočním směru umístěte zařízení nejméně 609 mm od jakéhokoli hořlavého povrchu.

Zadní část zařízení musí být nejméně 914 mm od jakéhokoli hořlavého povrchu.

VAROVÁNÍ

Tento spotřebič musí být umístován mimo dosah hořlavých materiálů

- Uživatelé nesmějí nijak manipulovat s částmi zařízení, které výrobce zapečetil, či je upravovat.
- Při použití zařízení s LPG (propan-butanem) je připojte k tlakové láhvi s LPG.
- Velikost tlakové láhve s LPG: max. průměr - 350mm, max. výška - 400mm.
- Zařízení musí být nainstalováno tak, aby bylo zajištěno dostatečné odvětrávání, vylučující výskyt nepřijatelně vysokých koncentrací látek škodlivých pro lidské zdraví v prostoru, v němž je zařízení nainstalováno
- Minimální vzdálenost mezi zařízením a nejbližšími zdmi musí dosahovat 0,5 m
- Přívodní hadice zařízení by neměla být delší než 1,5 m
- Zařízení by mělo být nainstalováno ve vhodné větrané místnosti. Musí být zajištěn stálý přísun čerstvého vzduchu a vyloučeno hromadění nespálených plynů
- Přívodní plynové trubky či hadice musí splňovat platné požadavky státních úřadů a musí být dle potřeby pravidelně kontrolovány a měněny.
- Hadice musí splňovat normu EN16436. Regulátor by měl splňovat normu EN16129.
- V některých regionech nejsou hadice a regulátor součástí dodaného zařízení.
- Před zapálením ohně zkontrolujte vnitřní část pece a v případě potřeby ji vyčistěte, abyste zabránili vznícení oleje nashromážděného při přechodném používání.
- Před použitím zkontrolujte, zda při předchozím používání nedošlo k ucpání hořáku.
- Pravidelně kontrolujte hořák, zda není ucpaný, a čistěte jej pomocí jemného drátěného kartáče.
- Je nutné zabránit ucpání přívodu plynu a zajistit kvalitní spalování

NOMINÁLNÍ HODINOVÁ SPOTŘEBA PLYNU

ooni	Výrobce:	Ooni Limited, Unit 5, Bishopsgate Business Center, 189 West Main Street, Broxburn, Scotland, EH52 5LH			CE 0063-20 0063CT7478	CZ
	Model:	Ooni Koda				
Kategorie	<input type="checkbox"/> I3+(28-30/37)		<input type="checkbox"/> I3B/P(30)	<input type="checkbox"/> I3B/P(37)	<input type="checkbox"/> I3B/P(50)	
Druh plynu	Butan	Propan	Butan, propan či jejich směsi			
Tlak plynu	28-30 mbar	37 mbar	28-30 mbar	37 mbar	50 mbar	
Celkový tepelný příkon	4.0 kW					
Druh zařízení	A1					
Označení vstříkovacího ventilu/velikosti	0.75mm/0.75		0.75mm/0.75	0.68mm/0.68	0.64mm/0.64	
Cílové země	BE, CH, CZ, ES, FR, GB, IE, IT, LU, PT		DK, EE, FI, IS, IT, NL, NO, SE	PL	AT, CH, DE	
Toto zařízení musí být nainstalováno v souladu s aktuálně platnými předpisy a nařízeními a smí být používáno pouze na dobře větraném místě. Před instalací a použitím tohoto zařízení si důkladně přečtěte návod k použití.						

PŘED ZAPÁLENÍM OHNĚ

Před zapnutím přívodu plynu zkontrolujte přípojovací plynovou hadici. Pokud je tato hadice nařiznutá nebo jeví známky poškození či oděni, je nutné ji před použitím zařízení vyměnit.

Na plynovou láhev našroubujte regulátor tlaku plynu. Před zapálením ohně zkontrolujte přípojovací hadici a připojení regulátoru kvůli možným únikům plynu za použití roztoku vody a mýdla.

Používejte pouze originální regulátor tlaku a přípojovací plynovou hadici dodaný spolu s tímto zařízením.

TLAKOVÁ BOMBA S LPG - VAROVÁNÍ

1. Náhradní tlakovou plynovou bombu neskladujte pod zařízením či v jeho blízkosti.
2. Tlakovou bombu nikdy nenaplňujte na více než 80 procent kapacity.
3. Plynová bomba musí být opatřena OCHRANOU PROTI PŘEPLNĚNÍ (OPD).
4. Pokud se nebudete přesně řídit výše uvedenými informacemi, hrozí riziko ohně vedoucího ke smrti či vážnému poškození zdraví.

PRÁVIDLA PRO BEZPEČNÉ POUŽITÍ K ZAMEZENÍ ZRANĚNÍ

Pokud se o svou pec budete rádně starat, bude vám sloužit bezpečně a spolehlivě. Při používání pece je třeba postupovat s maximální obezřetností, protože produkuje intenzivní teplo, které zvyšuje riziko nehod či úrazů.

Při používání této pece je třeba se řídit mimo jiné následujícími základními pravidly:

- Žádnou část této pece neopravujte či nevyměňujte, pokud to není výslovně uvedeno v tomto návodu k použití. Veškeré jiné úkony by měl provádět kvalifikovaný technik.
- Děti by neměly nikdy zůstat v místě používání této pece samy či bez dozoru. Nikdy nedovolte dětem, aby seděly, stály či si hrály v blízkosti této pece.
- Za všech okolností zabraňte kontaktu oblečení či jiných hořlavých materiálů s hořákem či horkým povrchem, dokud nevychladnou. Mohlo by dojít ke vznícení látky a vážnému poškození zdraví.
- K zajištění osobní bezpečnosti používejte vhodné oblečení. Pec nikdy neobsluhujte s příliš volným oblečením či rukávy. Některé syntetické látky jsou vysoce hořlavé a neměli byste je na sobě mít oblečeny při vaření.
- Neohřívejte uzavřené nádoby s jídlem. Nárůstem tlaku by mohlo dojít k prasknutí či výbuchu těchto nádob. Při zapalování hořáku vždy postupujte s maximální obezřetností.
- Při používání pece se nedotýkejte její vnější konstrukce, kamenné desky ani jejich bezprostředního okolí, protože jsou velmi horké a mohly by způsobit popáleniny.
- Nepoužívejte pec k pečení velmi tučného masa či jiných produktů, které by mohly vyvolat vznícení.
- Z okolí pece odstraňte hořlavé materiály, včetně kapalin, odpadů či výparů z benzínu či kapaliny do zapalovače.
- Nezabraňujte proudění vzduchu při spalování a větrání.
- Pec nikdy nepoužívejte za silného větru.
- Teplota pod pecí je velmi vysoká. Neumísťujte ji na stůl s hořlavým ubrusem, plasty či jakýmkoli jinými hořlavými materiály.

SEZNAM ČÁSTÍ

1. Ooni Koda
2. Kamenná pečící deska

SESTAVENÍ

Před sestavením ověřte, že jsou v balení všechny potřebné části. Pokud kterákoli součást chybí nebo je poškozena, nepokoušejte se zařízení sestavit. Kontaktujte oddělení zákaznických služeb a vyžádejte si náhradní součásti.

POKYNY K SESTAVENÍ

1. Rozložte nohy
2. Vložte kamennou pečící desku
3. Připojte k zařízení Ooni Koda přípojovací plynovou hadici
V některých regionech může být tato hadice již sestavena předem.
- 3a. Připojení plynové hadice přímo k peci Ooni Koda 3b i). Připojení konektoru k Ooni Koda 3b ii). Připojení plynové hadice ke konektoru
K utažení použijte vhodný klíč
4. Připojení plynové láhve

VAROVÁNÍ

Plynovou láhev vždy mějte v poloze nastojato. Láhev o hmotnosti 9 kg má v průměru 31 cm a je 45 cm vysoká. Pokud není zařízení používáno, přívod plynu musí být vypnut. K ochraně ventilku na válci je nutné použít objímku. Minimální vzdálenost mezi zařízením a 9kg plynovou lahví je 0.6m.

REGULÁTOR TLAKU PLYNU S VNITŘNÍM ZÁVITEM

U tohoto systému je přívod plynu zajištěn naražením. Ujistěte se, že je černý spínač v horizontální poloze. Uvolněte tlačítko pod černým spínačem a tlačte regulátor na ventil nádoby, dokud nedojde k jeho uzamčení ve správné poloze.

REGULÁTOR TLAKU PLYNU S VNĚJŠÍM ZÁVITEM

V tomto případě se plynová armatura připojuje pohybem proti směru hodinových ručiček. Ujistěte se, zda je láhev zcela uzavřena a regulátor šroubováním co nejvíce utáhněte na ventil plynové nádoby.

PŘIPOJENÍ PROPAN-BUTANOVÉ TLAKOVÉ LÁHVE

Pro připojení lahve s kapalným propan-butanem (LPG): Ventil láhve musí být v poloze OFF (vypnuto). Ujistěte se, zda je ovládací knoflík v poloze OFF. Zkontrolujte připojení ventilu, vstupního otvoru i regulátor. Odstraňte prach a ověřte, zda není přípojovací hadice poškozena. Při připojování regulátoru k ventilu utahujte matici rukou ve směru hodinových ručiček. Nepoužívejte francouzský klíč – jeho použitím by mohlo dojít k poškození matky a vzniku rizika. Ventil lahve otevřete jeho otáčením proti směru hodinových ručiček. Před zapálením ohně v peci zkontrolujte pomocí roztoku z mýdla a vody, zda nedochází k úniku plynu. Pokud detekujete únik plynu, vypněte ventil a nepoužívejte pec, dokud váš dodavatel propan-butanu neprovede příslušné opravy.

ODPOJENÍ PROPAN-BUTANOVÉ TLAKOVÉ LÁHVE

Otočte ovládací knoflík do polohy OFF. Ujistěte se, že je ventil nádoby v poloze vypnuto. Odpojte regulátor od ventilu láhve otáčením spojovací matice proti směru hodinových ručiček. Pokud nebudete láhev používat, nasadte na ventil kryt proti prachu.

KONTROLA ÚNIKU PLYNU

VŠEOBECNĚ

Ačkoliv veškeré plynové přípojky a spoje na tomto zařízení byly před jeho zabalením a odesláním testovány, je nutné provést testy i na místě jeho instalace a použití. Před každým použitím zařízení zkontrolujte připojení plynu kvůli možným únikům způsobem popsaným níže. Pokud kdykoli ucítíte plyn, okamžitě přestaňte zařízení používat a zkontrolujte celý systém kvůli možným únikům.

PŘED PROVEDENÍM TESTU

Ověřte, zda byly ze zařízení odstraněny veškeré obaly. Vytvořte roztok sestávající z jednoho dílu kapalného čisticího prostředku a jednoho dílu vody. K nařazení roztoku k armatury a spoje budete potřebovat rozprašovací láhev, kartáč či hadr.

K PROVEDENÍ TESTU TĚSNOSTI

Otočte ovládací knoflík do polohy OFF. Otevřete ventil na propan-butanové lahvi jeho otočením proti směru hodinových ručiček. Naneste mýdlový roztok na všechny armatury a spoje. Pokud někde dochází k úniku, objeví se bubliny. Pokud zjistíte únik plynu, okamžitě vypněte přívod plynu a utáhněte spoje, v nichž dochází k úniku. Plyn znovu zapněte a proveďte opět kontrolu. Pokud i nadále v kterémkoli ze spojů dochází k úniku, vypněte přívod plynu a kontaktujte oddělení zákaznické podpory.

NÁVOD K POUŽITÍ

POUŽÍVÁNÍ PECE

Každý hořák má výkon 4 kW. Před použitím: Ujistěte se, zda byla provedena kontrola úniků a zda je pec správně umístěna. Odstraňte veškeré zbývající obaly. Zapalte hořák dle POKYNŮ K ZAPÁLENÍ uvedených níže.

POKYNY K ZAPÁLENÍ

ZAPÁLENÍ HOŘÁKU

Ověřte, zda je ovládací knoflík v poloze OFF (vypnuto). Poté zapněte ventil na propan-butanové lahvi do polohy ON pomalým otáčením proti směru hodinových ručiček. Stiskněte ovládací knoflík a pomalu jím otáčejte proti směru hodinových ručiček, dokud se nezoez cvaknutí a nedojde k zapálení hořáku. Podržte ovládací knoflík po dobu dalších 5 sekund. Pokud nedojde k zapálení hořáku, otočte knoflík do polohy OFF, počkejte 5 minut a pak jej zkuste zapálit znovu.

ZÁPÁLENÍ POMOCÍ ZÁPALKY

Pokud se Vám nepodaří zapálit hořák pomocí ovládacího knoflíku ani po několika opakovaných pokusech, je možné jej zapálit pomocí zápalky.

Pokud jste se již pokoušeli zapálit hořák pomocí ovládacího knoflíku, počkejte 5 minut, než se rozptýlí veškerý plyn.

Zápalku vložte do držáku na zápalky, zapalte ji a vložte ji do otvoru pece tak, aby dosáhla až k hořáku.

Stiskněte ovládací knoflík a otočte s ním pomalu do polohy HI. Hořák by se měl zapálit okamžitě.

Pokud během několika sekund nedojde k zapálení hořáku, vypněte ovládací knoflík do polohy OFF, počkejte 5 minut a pak celý pokus opakujte.

PÉČE A ÚDRŽBA

Pokud je to možné, skladujte pec na pizzu Ooni Koda dlouhodobě mimo přímé sluneční záření a v uzavřených

prostorách. Pec Ooni Koda by neměla být vystavena extrémním klimatickým podmínkám, jako např. sněhu, silnému dešti či větru. Před manipulací či přesunem nechejte pec Ooni Koda zcela vychladnout.

Vnější konstrukce pece Ooni Koda může jevit známky opotřebení a užívání. Na výkon pece to nemá vliv.

KAMENNÁ PEČÍCÍ DESKA

1. NEPOUŽÍVEJTE kámen nad otevřeným ohněm.
2. Nevystavujte kámen extrémním změnám teploty. Na horký kámen NEPOKLÁDAJTE mražené potraviny.
3. Kámen je křehký a při nárazu či pádu se může zlomit.
4. Kámen je během použití i dlouhou dobu po něm velmi horký.
5. Pokud je kámen horký, NECHLAĎTE jej vodou.
6. Po umytí vodou kámen před dalším použitím řádně vysušte. Kámen je možno sušit v běžné troubě po dvě hodiny při teplotě 60°C.

PORADCE PŘI PROBLÉMECH

Problém	Možná příčina	Prevence/rešení
Hořák nelze zapálit	<ol style="list-style-type: none">1. Nefunguje přívod plynu2. Připojovací matice a regulátor nejsou správně propojeny3. Přívod plynu je ucpaný4. Hořák není připojen k ventilu5. Nesprávné sestavení	<ol style="list-style-type: none">1. Zkontrolujte, zda není propan-butanová láhev prázdná2. Utáhněte spojovací matici o půl až tři čtvrtě otáčky, dokud je možné s ní otáčet. Utahněte ji pouze rukou - nepoužívejte nářadí3. Vyčistěte přívodní trubici hořáku4. Znovu propojte hořák a ventil5. Zkontrolujte, za je zařízení nainstalováno v souladu s návodem
Náhly pokles přívodu plynu či nízký plamen	<ol style="list-style-type: none">1. Došel plyn	<ol style="list-style-type: none">1. Zkontrolujte, zda je v tlakové láhvi plyn2. Otočte ovládacím knoflíkem do polohy vypnuto, počkejte 30 sekund a pec opět zapalte. Pokud jsou plameny stále nízké, vypněte přívod plynu pomocí ovládacího knoflíku a vypněte i ventil na propan-butanové láhvi. Odpojte regulátor. Následně regulátor opět připojte a proveďte test těsnosti. Zapněte ventil na tlakové láhvi, počkejte 30 sekund a poté troubu zapalte.
Zhasnutí plamene	<ol style="list-style-type: none">1. Silný nebo nárazový vítr2. Nedostatek propan-butanu	<ol style="list-style-type: none">1. Otočte přední část pece směrem od větru2. Doplňte do láhve propan-butan3. Viz postup pro "Náhly pokles přívodu plynu" výše
Vzplanutí	<ol style="list-style-type: none">1. Vytvoření vrstvy tuku2. Příliš mnoho tuku v mase3. Příliš vysoká teplota pečení4. Příliš mnoho mouky na pečícím povrchu	<ol style="list-style-type: none">1. Vyčistěte pec2. Před pečením z masa odřízněte tuk3. Upravte (snižte) teplotu4. Odstraňte z pečícího povrchu zbytky mouky kartáčem
Zpětné vzplanutí (oheň v trubici hořáku, silný zvuk z hořáku)	<ol style="list-style-type: none">1. Hořák či trubice hořáku jsou zablokovány2. Pokles tlaku v průběhu zapalování3. Pec je otočena ve směru silného větru	<ol style="list-style-type: none">1. Vypněte přívod plynu otočením ovládacího knoflíku. Vyčistěte hořák a trubice hořáku.2. Vypněte troubu, ujistěte se, zda je ventil na tlakové láhvi plně otevřen (pokud je to nutné) a znovu zapalte oheň.3. Po vychladnutí pec otočte tak, aby její čelo nestálo proti směru větru.

DE

LP GAS PIZZAOFEN BEDIENUNGSANLEITUNG

WARNUNG

⚠️ WARNUNG

Um die Gefahr von Bränden, Verbrennungen oder anderen Verletzungen zu verringern, lesen Sie sich diese Sicherheitshinweise sorgfältig und vollständig durch, bevor Sie dieses Gerät verwenden.

⚠️ WARNUNG

Vergewissern Sie sich vor der Reinigung, dass sich der Gasversorgungs- und Bedienknopf in der Position OFF befindet und dass sich Brenner und Ofen abgekühlt haben.

⚠️ WARNUNG

Betreiben Sie dieses Gerät niemals unbeaufsichtigt. Im Falle eines Brandes halten Sie sich von dem Gerät fern und rufen Sie sofort die Feuerwehr. Versuchen Sie nicht, einen Öl- oder einen Fettbrand mithilfe von Wasser zu löschen.

Die Nichtbeachtung dieser Anweisungen kann eine Feuer-, Explosions- oder Verbrennungsgefahr mit sich ziehen, die zu Sachschäden, Verletzungen oder zum Tod führen kann.

⚠️ WARNUNG

An einem gut belüfteten Ort zu verwenden.

⚠️ ACHTUNG

Sobald Sie den Geruch von Gas wahrnehmen:

- Schalten Sie die Gaszufuhr aus
- Löschen Sie jegliche offene Flamme
- Falls der Gasgeruch anhält, halten Sie sich fern vom Gerät und rufen Sie sofort Ihren Gaslieferanten oder Ihre Feuerwehr an.

⚠️ WARNUNG

- a. Halten Sie den Zufuhrschlauch von erwärmten Oberflächen fern.
- b. Die Verwendung von Alkohol, verschreibungspflichtigen oder nicht verschreibungspflichtigen Medikamenten kann die Fähigkeit des Anwenders beeinträchtigen, eine ordnungsgemäße Montage bzw. einen ordnungsgemäßen Betrieb des Geräts vorzunehmen.
- c. Halten Sie stets Kinder und Haustiere vom Gerät fern.
- d. Bewegen Sie das Gerät nicht, wenn es in Gebrauch ist.
- e. Dieses Gerät ist nicht für den Einsatz als Heizgerät bzw. Heizung vorgesehen und sollte niemals als solche(s) verwendet werden.

⚠️ WARNUNG

Spinnen und Insekten können sich im Brenner des Gerätes einnisten und den Gasstrom stören. Überprüfen Sie den Brenner mindestens einmal im Jahr.

⚠️ WARNUNG

Sofern Sie ein Streichholz zum Anzünden des Geräts verwenden, stellen Sie sicher, dass Sie den mitgelieferten Streichholzhalter verwenden.

⚠️ WARNUNG

Lagern Sie dieses Gerät nicht in Innenräumen, es sei denn, die Gasflasche ist abgeklemmt worden.

⚠️ WARNUNG

Bewahren Sie die Gasflasche nicht in einem Gebäude, einer Garage oder einem anderen geschlossenen Bereich auf. Sorgen Sie dafür, dass diese sich stets außerhalb der Reichweite von Kindern befindet.

⚠️ WARNUNG

Dieses Gerät ist nicht für den Einbau in oder auf Freizeitfahrzeugen und/oder Booten bestimmt.

⚠️ WARNUNG

Überprüfen Sie vor jedem Gebrauch sämtliche Gasversorgungsanschlüsse auf Dichtheit. Verwenden Sie das Gerät erst, sofern sämtliche Anschlüsse überprüft wurden und kein Leck vorhanden ist.

⚠️ WARNUNG

Während der Dichtheitsprüfung nicht rauchen. Dichtheitsprüfung niemals mit offener Flamme durchführen.

⚠️ WARNUNG

Beim Anzünden sollten Sie Ihr Gesicht sowie Ihre Hände so weit wie möglich vom Gerät entfernt halten.

⚠️ WARNUNG

Der Mindestabstand gemessen von den Seiten des Gerätes bis zum Bereich, indem der Verbrennungsvorgang abläuft, beträgt 609 mm (24 Zoll).

Der Mindestabstand von der Rückseite des Gerätes bis zum Bereich, indem der Verbrennungsvorgang abläuft, beträgt 914 mm (36 Zoll).

⚠️ WARNUNG

Schalten Sie die Gasversorgung an der Gasflasche nach Gebrauch aus.

⚠️ WARNUNG

Das Gerät muss während des Betriebs von brennbaren Materialien ferngehalten werden.

⚠️ WARNUNG

Das Gerät nicht verändern!

- Die vom Hersteller versiegelten Teile dürfen vom Anwender nicht verstellt werden
- Falls beim Gerät Flüssiggas (LPG) verwendet wird, sollten Sie eine Flüssiggasflasche verwenden
- Die Größe der LPG-Zylinder: maximaler Durchmesser - 350 mm, maximale Höhe - 400 mm.
- Das Gerät ist in einem Raum mit ausreichender Belüftung zu installieren, um das Auftreten unzulässiger Konzentrationen von gesundheitsschädlichen Stoffen in diesem Raum zu verhindern
- Der Mindestabstand zwischen dem Gerät und angrenzenden Wänden beträgt 0,5 m
- Der Schlauch für das Gerät sollte nicht länger als 1,5 m sein
- Das Gerät sollte in einem ausreichend belüfteten Raum installiert werden. Es muss eine permanente Frischluftzufuhr gewährleistet werden. Es dürfen sich keine unverbrannten Gase ansammeln
- Die Gasversorgungsleitungen oder -schläuche müssen den geltenden nationalen Anforderungen entsprechen. Sie müssen in regelmäßigen Abständen überprüft werden und sind bei Bedarf auszutauschen.
- Der Schlauch muss der Norm EN16436 entsprechen. Der Regler muss der Norm EN16129 entsprechen.
- Der Schlauch sowie die Reglereinheit werden möglicherweise in einigen Regionen nicht mitausgeliefert.
- Überprüfen und reinigen Sie das Innere des Ofens, bevor Sie ihn entzünden, damit sich das freigesetzte Öl nicht entzündet, dass sich beim vorherigen Zubereiten angesammelt haben könnte.
- Die Brennerausgänge, bevor Sie etwas zubereiten, auf Verstopfung überprüft werden.
- Die Brennerausgänge sollten auf Verstopfung überprüft und regelmäßig mit einer weichen Drahtbürste gereinigt werden.
- Verstopfungen müssen vermieden werden. Es ist für eine gute Verbrennung zu sorgen

NOMINELT GASFORBRUG PER TIME

ooni	Hersteller: Ooni Limited, Unit 5, Bishopsgate Business Center, 189 West Main Street, Broxburn, Scotland, EH52 5LH Modell: Ooni Koda		CE 0063-20 0063CT478		DE
Kategorie	<input type="checkbox"/> I3+(28-30/37)	<input type="checkbox"/> I3B/P(30)	<input type="checkbox"/> I3B/P(37)	<input type="checkbox"/> I3B/P(50)	
Gasart	Butan	Propan	Butan, Propan oder eine Mischung davon		
Gasdruck	28-30 mbar	37 mbar	28-30 mbar	37 mbar	50 mbar
Gesamtwärmeeinbringung	4.0 kW				
Gerätetyp	A1				
Einspritzer-/Größenmarkierung	0.75mm/0.75	0.75mm/0.75	0.68mm/0.68	0.64mm/0.64	
Bestimmungsländer	BE, CH, CZ, ES, FR, GB, IE, IT, LU, PT	DK, EE, FI, IS, IT, NL, NO, SE	PL	AT, CH, DE	
Dieses Gerät ist in Übereinstimmung mit den geltenden Vorschriften zu installieren und nur an einem gut belüfteten Ort zu verwenden. Lesen Sie sich die Anweisungen durch, bevor Sie dieses Gerät installieren und benutzen.					

VOR DEM ANZÜNDEN

Überprüfen Sie den Gaszufuhrschlauch, bevor Sie die Gaszufuhr einschalten. Falls dieser Anzeichen von Einschnitten, Verschleiß oder Abrieb aufweist, ist dieser vor der Verwendung zu ersetzen.
Schrauben Sie den Regler auf die Gasflasche. Überprüfen Sie die Schlauch- und Regleranschlüsse mit einer Seifen- und Wasserlösung auf Dichtheit, bevor Sie das Gerät entzünden.

Es dürfen nur der mit diesem Gerät gelieferte Druckregler und der Gaszufuhrschlauch verwendet werden.

LP GASFLASCHE WARNUNG

1. Lagern Sie keine Ersatzflaschen für flüssiges Propangas unter oder in der Nähe dieses Gerätes.
2. Füllen Sie den Zylinder niemals über 80 Prozent Hubraum hinaus.
3. Die Flüssigpropanflasche muss mit einer ÜBERFÜLLSICHERUNG (OPD) ausgestattet sein.
4. Falls die oben genannten Hinweise nicht genau so wie beschrieben befolgt werden, kann es zu einem Brand mit Todesfolge oder schweren Verletzungen kommen.

SICHERHEITSPRAKTIKEN ZUR VERMEIDUNG VON VERLETZUNGEN

Bei sachgemäßer Wartung bietet Ihr Ofen einen sicheren und zuverlässigen Service. Allerdings ist äußerste Vorsicht geboten, da der Ofen eine starke Hitzeentwicklung erzeugt, die das Unfallrisiko erhöhen kann.

Bei der Verwendung dieses Ofens müssen grundlegende Praktiken befolgt werden, einschließlich, aber nicht beschränkt auf die folgenden Vorgehensweisen:

- Reparieren oder ersetzen Sie keine Teile des Ofens, es sei denn, dies wird in dieser Bedienungsanleitung ausdrücklich empfohlen. Sämtliche andere Wartungsarbeiten sollten durch qualifiziertes Fachpersonal durchgeführt werden.
- Kinder sollten sich nicht allein oder unbeaufsichtigt in einem Bereich aufhalten, in dem der Ofen benutzt wird. Lassen Sie Kinder zu keiner Zeit am Ofen sitzen, stehen oder spielen.
- Lassen Sie niemals Kleidung oder andere brennbare Gegenstände mit einem Brenner oder einer heißen Oberfläche in Berührung kommen, bis sich diese/dieser abgekühlt hat/haben. Der Kleidungsstoff kann sich entzünden und schwere Verletzungen verursachen.
- Zur persönlichen Sicherheit sollten Sie angemessene Kleidung tragen. Es sollten niemals lose Kleidung oder offene Ärmel während der Verwendung des Ofens getragen werden. Einige synthetische Stoffe sind leicht entzündlich und sollten während des Backens nicht getragen werden.
- Erwärmen Sie keine ungeöffneten Lebensmittelbehälter, da ein Druckaufbau zum Platzen der Behälter führen kann. Achten Sie beim Anzünden des Brenners immer genau darauf, was Sie tun.
- Berühren Sie, wenn Sie den Ofen verwenden, nicht die Außenhülle, das Steinbackbrett oder die unmittelbare Umgebung, da diese Bereiche extrem heiß werden und Verbrennungen verursachen können.
- Verwenden Sie den Ofen nicht zum Erhitzen von extrem fettem Fleisch oder anderen Produkten, die einen Flammenrückschlag verstärken.
- Halten Sie den Bereich um den Ofen herum frei von brennbaren Materialien wie Flüssigkeiten, Müll und Dämpfen wie Benzin oder Kohlefeuerzeugflüssigkeit.
- Behindern Sie den Durchfluss von Verbrennungs- und Lüftungsluft nicht.
- Verwenden Sie den Ofen niemals bei extrem windigen Bedingungen.
- Die Temperatur unter dem Ofen ist hoch. Stellen Sie den Ofen nicht auf einen Tisch mit einer brennbaren Tischdecke, Kunststoffen oder anderen brennbaren Materialien.

TEILLISTE

1. Ooni Koda
2. Steinbackbrett

- Der verwendete Zylinder muss einen Kragen zum Schutz des Zylinderventils beinhalten.
- Der Mindestabstand für das Gerät und den 20 lb Gastank beträgt 25 Zoll.

MONTAGE

Vor der Montage ist sicherzustellen, dass sämtliche Teile vorhanden sind. Falls Teile fehlen oder beschädigt sind, sollten Sie nicht versuchen, eine Montage des Gerätes durchzuführen. Wenden Sie sich an den Kundendienst für Ersatzteile.

MONTAGEANWEISUNGEN

1. Klappen Sie die Stativbeine auseinander
2. Setzen Sie das Steinbackbrett ein
3. Anschluss des Gasschlauches an den Ooni Koda
In Abhängigkeit von Ihrer Region kann der Schlauch vormontiert sein.
- 3a. Direkter Anschluss des Gasschlauches an den Ooni Koda
3b i). Anschluss des Widerhakens an den Ooni Koda
3b ii). Gasschlauch an den Widerhaken anschließen
Mithilfe geeigneter Schraubenschlüssel anziehen
4. Anschluss an den Gastank

WARNUNG

- Bitte sorgen Sie dafür, dass sich die Gasflasche stets in aufrechter Position befindet.
- Die Größe für eine 20 lbs LP-Gasflasche beträgt 12,2 Zoll im Durchmesser sowie eine Höhe von 17,9 Zoll
- Falls das Gerät nicht in Gebrauch ist, muss die Gaszufuhr an der Versorgungsflasche abgestellt werden.

PATIO GASREGLER

Dies ist eine Push-on-Gas-Armatur. Stellen Sie sicher, dass sich der schwarze Schalter in der horizontalen Position befindet. Drücken Sie den Knopf unterhalb des schwarzen Schalters und drücken Sie den Regler auf dem Tankventil, bis er einrastet.

POL GASREGLER

Diese Gasarmatur ist gegen den Uhrzeigersinn angeordnet. Achten Sie darauf, dass der Tank vollständig abgeschaltet ist und schrauben Sie den Regler so weit wie möglich in das Gastankventil hinein.

ANSCHLUSS DER FLÜSSIGEN PROPAN-GASFLASCHE

Zum Anschluss der flüssigen Propangasflasche: Das Flaschenventil sollte sich in der Position OFF befinden. Vergewissern Sie sich, dass sich der Bedienknopf in der Position OFF befindet.
Überprüfen Sie die Ventilanschlüsse, den Anschluss und die Reglerbaugruppe. Entfernen Sie Ablagerungen und prüfen Sie den Schlauch auf Beschädigungen.
Sofern Sie die Reglerbaugruppe mit dem Ventil verbinden, ziehen Sie die Mutter mit der Hand im Uhrzeigersinn bis zum Anschlag fest. Die Verwendung eines Schraubenschlüssels kann die Schnellkupplung mit Überwurfmutter beschädigen und zu einer

gefährlichen Situation beitragen.
Öffnen Sie das Flaschenventil vollständig, indem Sie das Ventil gegen den Uhrzeigersinn aufdrehen.
Bevor Sie den Ofen entzünden, sollten Sie eine Seifen- und Wasserlösung verwenden, um sämtliche Anschlüsse auf Undichtigkeiten zu überprüfen.
Falls Sie ein Leck feststellen, schalten Sie das Flaschenventil OFF und benutzen Sie den Ofen erst dann, sobald Ihr Flüssigpropanhändler vor Ort entsprechende Reparaturen durchführen kann.

TRENNEN DER FLÜSSIGPROPAN-GASFLASCHE

Drehen Sie den Bedienknopf des Ofens auf die Position OFF
Vergewissern Sie sich, dass sich das Behälterventil in der Aus-/Schließstellung befindet.
Lösen Sie die Reglerbaugruppe vom Flaschenventil, indem Sie die Schnellkupplung mit Überwurfmutter drehen gegen den Uhrzeigersinn.
Setzen Sie die Staubkappe für den Flaschenventilauslass ein, sofern die Flasche nicht benutzt wird.

LECKAGE-PRÜFUNG

ALLGEMEINES VORGEHEN

Obleich die Gasanschlüsse des Gerätes, bevor sie verpackt und versandt worden sind, auf Dichtheit geprüft werden, muss am Aufstellungsort eine vollständige Leckage-Prüfung durchgeführt werden.
Überprüfen Sie vor jedem Gebrauch sämtliche Gasanschlüsse auf Dichtheit, indem Sie die folgenden Schritte befolgen. Sollten Sie zu irgendeinem Zeitpunkt einen Gasgeruch feststellen, stellen Sie sofort den Betrieb ein. Prüfen Sie dann das gesamte System auf Undichtigkeiten.

VOR DEM PRÜFVORGANG

Vergewissern Sie sich, dass das gesamte Verpackungsmaterial vom Gerät entfernt worden ist.
Stellen Sie eine Reinigungslösung aus einem Teil Flüssigreiner und einem Teil Wasser her. Sie benötigen eine Sprühflasche, eine Bürste oder einen Lappen, um die Lösung auf die Armaturen aufzutragen.

UM DEN PRÜFVORGANG DURCHZUFÜHREN

Drehen Sie den Bedienknopf auf OFF
Drehen Sie das Ventil der Flüssigpropanflasche gegen den Uhrzeigersinn, um das Ventil zu öffnen.
Tragen Sie die Seifenlösung auf sämtliche Gasarmaturen auf. Falls ein Leck vorliegt, entstehen Seifenblasen.
Liegt ein Leck vor, schalten Sie sofort die Gaszufuhr OFF und ziehen Sie undichte Armaturen an.
Schalten Sie die Gaszufuhr wieder ein und überprüfen Sie erneut. Sollte das Gas weiterhin aus einer der Armaturen austreten, schalten Sie die Gaszufuhr OFF und nehmen Sie Kontakt zum Kundenservice auf.

BEDIENUNGSANLEITUNG

VERWENDUNG DES OFENS

Jeder Brenner besitzt eine Leistung von 4.0KW.
Zu Beginn:

Vergewissern Sie sich, dass der Ofen auf Dichtheit geprüft und richtig aufgestellt worden ist.
Entfernen Sie sämtliche Verpackungsmaterialien.
Entzünden Sie den Brenner mithilfe der folgenden HINWEISE

HINWEISE ZUM ENTZÜNDEN DES BRENNERS

Vergewissern Sie sich, dass sich der Bedienknopf in der Position OFF befindet. Drehen Sie dann das Ventil des Flüssigpropan-Zylinders auf, indem Sie es langsam gegen den Uhrzeigersinn drehen.
Drücken Sie hinein und drehen Sie den Bedienknopf langsam gegen den Uhrzeigersinn, bis Sie ein Klackgeräusch wahrnehmen und sich der Brenner entzündet hat.
Halten Sie den Bedienknopf 5 Sekunden lang gedrückt.
Falls der Brenner nicht anspringt, drehen Sie den Regler auf OFF, warten Sie 5 Minuten und versuchen Sie es erneut.

ENTZÜNDEN MITHILFE EINES STREICHHOLZES

Sollte sich Brenner nach mehreren Versuchen mithilfe des Bedienknopfes nicht entzünden lassen, kann der Brenner mit einem Streichholz entzündet werden.
Sollten Sie bereits versucht haben, den Brenner mit dem Bedienknopf zu entzünden, warten Sie 5 Minuten, bis sich das Gas verflüchtigt hat.
Stecken Sie ein Streichholz in den Streichholzhalter, zünden Sie das Streichholz an und führen Sie diesen in die Ofenöffnung ein, um den Brenner zu erreichen.
Drücken und drehen Sie den Bedienknopf langsam auf die Einstellung HI. Der Brenner sollte sofort zünden.
Sollte der Brenner nicht innerhalb von Sekunden anspringen, drehen Sie den Regler auf OFF, warten Sie 5 Minuten und versuchen Sie es erneut.

PFLEGE UND WARTUNG

Setzen Sie den Ooni Koda, wenn Sie diesen lagern, nicht direkter Sonneneinstrahlung aus. Wenn möglich sollte er bei einer längeren Lagerung in Innenräumen gelagert werden. Der Ooni Koda sollte nicht extremen Wetterbedingungen wie Schnee, starkem Regen und starkem Wind ausgesetzt werden.
Warten Sie, bis sich der Ooni Koda vollständig abgekühlt hat, bevor Sie diesen bewegen.
Die Außenhülle des Ooni Kodas kann mit der Zeit und durch den Gebrauch verblasen. Dies hat keinen Einfluss auf die Leistung.

STEINBACKBRETT

1. Verwenden Sie den Stein NICHT über einer offenen Flamme.
2. Vermeiden Sie extreme Temperaturschwankungen am Stein. Platzieren Sie Tiefkühlkost NICHT direkt auf einen heißen Stein.
3. Der Stein ist zerbrechlich und kann brechen, falls er gestoßen oder fallen gelassen wird.
4. Der Stein ist während des Gebrauchs sehr heiß und behält auch nach dem Gebrauch für eine lange Zeit seine heiße Temperatur bei.
5. Kühlen Sie den Stein NICHT mit Wasser, sofern er noch heiß ist.
6. Nachdem Sie den Stein mit Wasser gereinigt haben, sollten Sie ihn vor Gebrauche trocknen. Dies kann in einem herkömmlichen Ofen bei 60°C (140°F) für 2 Stunden erfolgen.

FEHLERBEHEBUNG

Problem	Mögliche Ursache	Prävention / Lösung
Brenner lässt sich nicht entzünden	<ol style="list-style-type: none"> 1. Kein Gasfluss 2. Überwurfmutter und Regler sind nicht vollständig miteinander verbunden 3. Behinderung des Gasstroms 4. Brenner ist nicht mehr mit dem Ventil verbunden 5. Falsche Montage 	<ol style="list-style-type: none"> 1. Überprüfen Sie, ob der Propangastank leer ist 2. Die Überwurfmutter um eine halbe bis drei Viertel zusätzliche Drehung fest drehen, bis der Anschlag erreicht ist. Nur von Hand anziehen - keine Werkzeuge verwenden 3. Brennerrohr reinigen 4. Brenner und Ventil wieder miteinander verbinden 5. Überprüfen Sie die Schritte aus den Montageanweisungen
Plötzlicher Abfall des Gasstroms oder geringe Flamme	<ol style="list-style-type: none"> 1. Kein Gas vorhanden 	<ol style="list-style-type: none"> 1. Überprüfen Sie, ob Gas im Propangastank vorhanden ist 2. Schalten Sie den Gasregler aus, warten Sie 30 Sekunden und entzünden Sie den Ofen. Besitzt die Flamme immer noch eine geringe Höhe, schalten Sie den Gasregler aus und drehen Sie das Propan-Tankventil ab. Regler abmontieren. Regler und Dichtheitsprüfung wieder anschließen. Drehen Sie das Propan-Tankventil wieder auf, warten Sie 30 Sekunden und entzünden Sie dann den Ofen.
Die Flammen erlöschen	<ol style="list-style-type: none"> 1. Starke oder böige Winde 2. Zu wenig Propangas vorhanden 	<ol style="list-style-type: none"> 1. Drehen Sie die Vorderseite des Ofens von der Windseite weg 2. Befüllen Sie den Propanbehälter nach 3. Siehe Abschnitt oben „Plötzlicher Abfall des Gasstroms“
Aufflammen	<ol style="list-style-type: none"> 1. Fettaufbau 2. Übermäßiges Fett im Fleisch 3. Zu hohe Gartemperatur 4. Überschüssiges Mehl auf der Kochfläche 	<ol style="list-style-type: none"> 1. Ofen reinigen 2. Sichtbare Fettbildung aus Fleisch vor Beginn des Backvorgangs 3. Temperatur entsprechend anpassen (absenken) 4. Restliches Mehl von der Kochfläche entfernen
Flammenrückschlag (Feuer im Brennerrohr, brummendes Geräusch am Brenner)	<ol style="list-style-type: none"> 1. Brenner und/oder Brennerrohre sind blockiert 2. Druckabfall während des Zündvorgangs 3. Der Ofen ist gegen starken Wind ausgerichtet 	<ol style="list-style-type: none"> 1. Drehen Sie den Gasregler ab. Reinigen Sie den Brenner und/oder die Brennerrohre. 2. Schalten Sie den Ofen aus. Stellen Sie sicher, dass das Behälterventil vollständig offen ist (falls zutreffend) und entzünden Sie den Ofen erneut. 3. Drehen Sie die Vorderseite des Ofens entgegen der Windrichtung, sobald sich der Ofen abgekühlt hat.

LP PIZZAOVN TIL GAS BRUGERVEJLEDNING

ADVARSEL

⚠ ADVARSEL

For at mindske risikoen for brand, brandfare eller anden skade, skal du læse denne sikkerhedsvejledning omhyggeligt og i sin helhed, inden du bruger dette apparat.

⚠ ADVARSEL

Sørg for, at gasforsynings- og tænd-/slukknappen står i OFF-position, og at brænderen og ovnen er afkølet, inden rengøring.

⚠ ADVARSEL

Brug aldrig apparatet uden opsyn. Hvis der opstår brand, skal du holde dig væk fra apparatet og ringe til brandvæsenet. Forsøg ikke at slukke olie eller ild med vand.

Manglende overholdelse af disse instruktioner kan resultere i brand, eksplosion eller brandfare, hvilket kan forårsage skade, personskade eller dødsfald.

⚠ ADVARSEL

Brug på et godt ventileret sted.

⚠ FARE

Hvis du kan lugte gas:

- Sluk gasforsyningen til apparatet
- Sluk enhver åben ild
- Hvis lugten fortsætter, skal du holde dig væk fra apparatet og straks ringe til din gasleverandør eller brandvæsenet.

⚠ ADVARSEL

- Hold brændstofforsyningslangen væk fra eventuelle opvarmede overflader.
- Brug af alkohol, receptpligtige eller ikke-receptpligtige lægemidler kan påvirke forbrugers evne til at samle eller betjene apparatet korrekt.
- Hold børn og kæledyr væk fra apparatet på alle tidspunkter.
- Flyt ikke apparatet under brug.
- Dette apparat er ikke beregnet til og bør aldrig bruges som varmelegeme.

⚠ ADVARSEL

Sluk for gasforsyningen ved gascylinderen efter brug.

⚠ ADVARSEL

Ændr ikke apparatet

⚠ ADVARSEL

Edderkopper og insekter kan opholde sig inde i apparatets brænder og forstyrre gastilførslen. Kontroller brænderen mindst én gang om året.

⚠ ADVARSEL

Når du bruger en tændstik til at tænde apparatet, skal du sørge for at bruge den medfølgende tændstikholder.

⚠ ADVARSEL

Opbevar ikke apparatet indendørs, medmindre gasflasken er koblet fra.

⚠ ADVARSEL

Opbevar ikke gasflasken i en bygning, garage eller andet lukket område og opbevar den utilgængeligt for børn til enhver tid.

⚠ ADVARSEL

Dette apparat er ikke beregnet til at blive installeret i eller på campingvogne og/eller både.

⚠ ADVARSEL

Tjek alle gasforsyningsbeslag for lækager før hver brug. Brug aldrig apparatet, før alle tilslutninger er kontrolleret og ikke lækker.

⚠ ADVARSEL

Ryg ikke, mens der testes for lækage. Test aldrig for lækage ved åben ild.

⚠ ADVARSEL

Ved tænding skal du holde dit ansigt og dine hænder så langt væk fra apparatet som muligt.

⚠ ADVARSEL

Minimumsafstand fra enhedens sider til brændbar konstruktion er 609 mm (24 tommer).

Minimumsafstand fra enhedens bagside til brændbar konstruktion er 914 mm (36 tommer).

⚠ ADVARSEL

Dette apparat skal holdes væk fra brandfarlige materialer under brug.

- De dele, der er forseglet af producenten, bør ikke ændres af brugeren
- Når apparatet bruger LPG, skal der anvendes en LPG-cylinder
- LPG-cylinderstørrelse: maks. diameter - 350 mm, maks. højde - 400 mm.
- Apparatet skal installeres med tilstrækkelig ventilation for at forhindre forekomst af uacceptable koncentrationer af sundhedsskadelige stoffer i det rum, hvor apparatet er installeret
- Minimumsafstand mellem apparatet og de tilstødende vægge skal være 0,5m
- Slangen til apparatet bør ikke overstige 1,5 m
- Apparatet skal installeres i et passende ventileret rum. Der skal sikres en permanent forsyning af frisk luft, så der ikke opstår en ophobning af uforbrændte gasser
- Gasforsyningen eller slangen skal overholde de gældende nationale krav og skal regelmæssigt undersøges og udskiftes efter behov.
- Slangen skal overholde EN16436 standarden. Regulatoren skal overholde EN16129 standarden.
- I nogle regioner må slangen og regulatoren ikke leveres sammen med apparatet.
- Tjek og rengør indersiden af ovnen på passende vis, inden den tændes for at undgå udslip af ild fra de olier, der har ophobet sig ved tidligere madlavning.
- Brænderudtagene skal kontrolleres for tilstopning under tidligere madlavning.
- Brænderudtagene skal kontrolleres for tilstopning og rengøres regelmæssigt med en blød stålborste.
- Det er nødvendigt for at undgå tilstopning for at muliggøre en god forbrænding

NENNGASVERBRAUCH PRO STUNDE

ooni	Producent: Ooni Limited, Unit 5, Bishopsgate Business Center, 189 West Main Street, Broxburn, Scotland, EH52 5LH		CE 0063-20 0063CT7478		DK
	Model: Ooni Koda				
Kategori	<input type="checkbox"/> I3+(28-30/37)		<input type="checkbox"/> I3B/P(30)	<input type="checkbox"/> I3B/P(37)	<input type="checkbox"/> I3B/P(50)
Type af gas	Butan	Propan	Butan, propan eller en blanding af disse		
Gastryk	28-30 mbar	37 mbar	28-30 mbar	37 mbar	50 mbar
Total varmetilførsel	4.0 kW				
Apparattype	A1				
Injektor-/størrelsemærkning	0.75mm/0.75		0.75mm/0.75	0.68mm/0.68	0.64mm/0.64
Destinationslande	BE, CH, CZ, ES, FR, GB, IE, IT, LU, PT		DK, EE, FI, IS, IT, NL, NO, SE	PL	AT, CH, DE, SK
Dette apparat skal installeres i overensstemmelse med gældende regler og må kun anvendes på et godt ventileret sted. Læs brugsanvisningen, inden du installerer og bruger dette apparat.					

FØR TÆNDING

Kontroller gasforsyningslangen, før du tænder for gassen. Hvis der er tegn på hakker, slitage eller slid, skal den udskiftes inden brug. Skru regulatoren på gasflasken. Tjek slange- og regulatorforbindelserne for lækage med en sæbe og vandopløsning, før apparatet tændes.

Anvend kun trykregulatoren og gasslangen, som følger med dette apparat.

LP GASFLASKE ADVARSEL

1. Opbevar ikke ekstra propan gasflasker under eller i nærheden af apparatet.
2. Fyld aldrig flasken mere end 80 procent af kapaciteten.
3. Flydende propan gasflasker skal være forsynet med en OVERFYLDNINGSBESKYTTELSESENHED (OPD).
4. Hvis ovenstående oplysninger ikke følges nøjagtigt, kan der opstå brand med død eller alvorlig skade til følge.

SIKKERHEDSPRAKSIS FOR AT UNDGÅ SKADE

Når den vedligeholdes korrekt, vil ovnen have en sikker og pålidelig ydeevne. Men ekstrem forsigtighed skal udvises, da ovnen producerer intens varme, der kan øge risikoen for ulykker.

Ved brug af ovnen skal grundlæggende praksis følges, herunder men ikke begrænset til følgende:

- Reparér eller udskift ikke nogen del af ovnen, medmindre det anbefales i denne vejledning. For at anden service henvises til en kvalificeret tekniker.
- Børn bør ikke stå alene eller uovervåget i et område, hvor ovnen bruges. Lad ikke børn sidde, stå eller lege i nærheden af ovnen på noget tidspunkt.
- Lad aldrig tøj eller andre brændbare stoffer komme i kontakt med eller for tæt på brænderen eller nogen varm overflade, indtil den er afkølet. Stoffet kan antændes og forårsage alvorlig personskade.
- Brug passende beklædning for personlig sikkerhed. Løse beklædningsgenstande eller ærmer bør aldrig bæres under brug af ovnen. Nogle syntetiske stoffer er meget brandfarlige og bør ikke bæres under madlavning.
- Opvarm ikke uåbnede fødevarerbeholdere, da opbygning af tryk kan medføre, at beholderne brister. Når du tænder for brænderen, skal du altid være opmærksom på, hvad du gør.
- Når du bruger ovnen, må du ikke røre den ydre skal, stenbagepladen eller umiddelbare omgivelser, da disse områder bliver ekstremt varme og kan forårsage forbrændinger.
- Brug ikke ovnen til at lave ekstremt fedt kød eller andre produkter, der blusser op.
- Hold området omgivet af ovnen fri for brændbart materiale, herunder væsker, affald og dampe, såsom benzin eller kulstoflightergas.
- Forhindr ikke strømmen af forbrændings- og ventilationsluft.
- Brug aldrig ovnen under meget blæsende forhold.
- Temperaturen under ovnen er høj. Placer ikke ovnen på et bord med brændbare borddug, plastik eller andre brændbare materialer.

LISTA DE PIEZAS

1. Ooni Koda
2. Tabla de Cocción de Piedra

MONTAJE

Antes del montaje, asegúrese de que todas las piezas estén presentes. Si alguna pieza falta o está dañada, no intente montar el aparato. Póngase en contacto con el servicio de atención al cliente para obtener piezas de repuesto.

INSTRUCCIONES DE MONTAJE

1. Despliegue las patas
2. Inserte la tabla de cocción de piedra
3. Conecte la manguera de gas a Ooni Koda
Dependiendo de su país, la manguera puede estar premontada.
- 3a. Conexión directa de la manguera de gas a Ooni Koda
- 3b i). Conexión de la espiga a Ooni Koda
- 3b ii). Conexión de la manguera de gas a la espiga
- Apriete con las llaves adecuadas
4. Conecte a la bombona de gas

ADVERTENCIA

- Mantenga siempre la bombona de gas en posición vertical.
- El tamaño de una bombona de gas de 9 kg es de 31 cm de diámetro y 45 cm de altura.
- Si el aparato no está en uso, el suministro de gas debe ser apagado a nivel de la bombona.
- La bombona utilizada debe disponer de un collarín para proteger la válvula.
- La distancia mínima entre el aparato y una bombona de gas de 9 kg es de 0.6 metro.

REGULADOR DE GAS CON SISTEMA "CLICK-ON"

Este regulador se conecta por empuje. Asegúrese de que el interruptor negro esté en posición horizontal. Presione el botón situado debajo del interruptor negro y empuje el regulador en la válvula de la bombona hasta que se bloquee en su lugar.

REGULADOR DE GAS DE TIPO "POL"

La conexión de este regulador se realiza girando en sentido antihorario. Asegúrese de que la bombona de gas esté completamente cerrada y enrosque el regulador lo más lejos posible en la válvula de la bombona.

CONEXIÓN DE LA BOMBONA DE GAS PROPANO

Para conectar la bombona de gas propano: La válvula de la bombona debe estar en posición cerrada. Asegúrese de que el botón de ajuste esté en la posición de apagado.

Inspeccione las conexiones de la válvula, el orificio y el conjunto del regulador. Retire los residuos e inspeccione la manguera para asegurarse que no esté dañada. Cuando conecte el regulador a la válvula, apriete la tuerca a mano en sentido antihorario hasta que se detenga. El uso de una llave podría dañar la tuerca de acoplamiento y provocar un accidente.

Abra completamente la válvula de la bombona girando en sentido antihorario.

Antes de encender el horno, use una solución de agua y jabón para verificar la ausencia de fuga en todas las conexiones. Si detecta una fuga, cierre la válvula de la bombona y no use el horno hasta que su vendedor de propano haya efectuado las reparaciones necesarias.

DESCONEXIÓN DE LA BOMBONA DE GAS PROPANO

Gire el botón de ajuste del horno hasta la posición de apagado. Asegúrese de que la válvula de la bombona esté en la posición cerrada. Desmonte el conjunto regulador de la válvula de la bombona girando la tuerca de acoplamiento en sentido antihorario. Cuando la bombona no esté en uso, siempre coloque la tapa protectora sobre la válvula.

PRUEBA DE DETECCIÓN DE FUGAS

GENERAL

Aunque las conexiones de gas del aparato hayan sido sometidas a pruebas de detección fuga antes de su embalaje y envío, se debe realizar una prueba completa en el lugar de instalación. Antes de cada uso, compruebe todas las conexiones de gas para verificar la estanqueidad siguiendo el procedimiento que se indica a continuación. Si percibe un olor a gas en cualquier momento, debe dejar inmediatamente de utilizar el aparato y comprobar si hay fugas en todo el sistema.

ANTES DE LA PRUEBA

Asegúrese de que todo el material de embalaje haya sido retirado del aparato.

Prepare una solución con una parte de detergente líquido y otra de agua. Necesitará un pulverizador, un pincel o un trapo para aplicar la solución a las conexiones.

PARA REALIZAR LA PRUEBA

Gire el botón de ajuste del horno hasta la posición de apagado. Gire la válvula de la bombona de propano en sentido antihorario para abrirla.

Aplique la solución jabonosa a todas las conexiones de gas. Si hay una fuga, se formarán burbujas de jabón.

Si detecta una fuga, corte inmediatamente el suministro de gas y apriete las conexiones con fugas.

Vuelva abrir la válvula de gas y realice nuevamente la prueba.

Si una fuga de gas persiste desde cualquiera de las conexiones, corte el suministro de gas y póngase en contacto con el servicio al cliente.

INSTRUCCIONES DE USO

USO DEL HORNO

Cada quemador tiene una potencia nominal de 4 kW.

Para empezar:

Asegúrese de que el horno haya sido sometido a pruebas de fugas y que esté bien colocado.

Retire el material de embalaje restante.

Encienda el quemador siguiendo las INSTRUCCIONES DE ENCENDIDO a continuación

INSTRUCCIÓN DE ILUMINACIÓN

PARA ENCENDER EL QUEMADOR

Asegúrese de que el botón de ajuste esté en la posición de apagado, y luego abra la válvula de la bombona de propano, girando lentamente en sentido antihorario.

Presione y gire lentamente el botón de ajuste del horno en sentido antihorario hasta que escuche un chasquido y que se encienda el quemador.

Mantenga el botón de ajuste presionado durante 5 segundos. Si el quemador no se enciende, gire el botón hasta la posición de apagado, espere 5 minutos y repita el encendido.

PARA ENCENDER CON UNA CERILLA

Si el quemador no se enciende después de varios intentos con el botón de ajuste, el quemador puede encenderse con una cerilla. Si ya ha intentado encender el quemador con el botón de ajuste, espere 5 minutos a que se disipe el gas.

Inserte una cerilla en el soporte para cerilla. Encienda la cerilla e insértela a través de la apertura del horno para alcanzar el quemador.

Presione y gire lentamente el botón de ajuste en posición HI: el quemador debe encenderse inmediatamente.

Si el quemador no se enciende en segundos, gire el botón de ajuste hasta la posición de apagado, espere 5 minutos e inténtelo de nuevo.

CUIDADO Y MANTENIMIENTO

Mantenga Ooni Koda alejado de la luz solar directa y en interiores siempre que sea posible y cuando lo almacene durante períodos prolongados de tiempo. Ooni Koda no debe estar expuesto a condiciones climáticas adversas como nieve, lluvia intensa y fuertes vientos.

Espere a que Ooni Koda se enfríe completamente antes de moverlo.

El color de la carcasa exterior de Ooni Koda puede desvanecerse con el tiempo y con el uso. Esto no afectará su rendimiento.

TABLA DE COCCIÓN DE PIEDRA

1. NO use la piedra sobre una llama abierta.
2. Evite los cambios extremos de temperatura en la piedra. NO coloque alimentos congelados en una piedra caliente.
3. La piedra es frágil y puede romperse si se golpea o se cae.
4. La piedra está muy caliente durante el uso y permanece caliente durante mucho tiempo después del uso.
5. NO enfríe la piedra con agua cuando esté caliente.
6. Después de limpiar la piedra con agua, séquela antes de usarla. Esto se puede hacer en un horno convencional a 60°C (140°F) durante 2 horas.

SOLUCIÓN DE PROBLEMAS

Problema	Posible causa	Prevención / Solución
El quemador no se enciende	<ol style="list-style-type: none"> 1. No hay flujo de gas 2. La tuerca de acoplamiento y el regulador no están bien conectados 3. El flujo de gas está obstruido 4. El quemador está desconectado de la válvula 5. Montaje incorrecto 	<ol style="list-style-type: none"> 1. Compruebe si la bombona de propano está vacía 2. Gire la tuerca de acoplamiento de medio a tres cuartos de vuelta más hasta el tope. Apriete sólo a mano - no utilice herramientas 3. Limpie el tubo del quemador 4. Vuelva a conectar el quemador y la válvula 5. Compruebe los pasos en las instrucciones de montaje
Caida repentina del flujo de gas o llama baja	<ol style="list-style-type: none"> 1. Ya no hay gas 	<ol style="list-style-type: none"> 1. Compruebe si hay gas en la bombona de propano 2. Cierre el botón de ajuste del gas, espere 30 segundos y vuelva a encender el horno. Si las llamas aún están bajas, apague el botón de gas y cierre la válvula del tanque de propano. Desconecte el regulador. Vuelva a conectar el regulador y realice una prueba de fugas. Abra la válvula de la bombona de propano, espere 30 segundos y luego encienda el horno.
Las llamas se apagan	<ol style="list-style-type: none"> 1. Vientos fuertes o en ráfagas 2. Nivel de gas propano bajo 	<ol style="list-style-type: none"> 1. Aleje la parte delantera del horno del viento 2. Rellene la bombona de propano 3. Consulte la sección "Caida repentina del flujo de gas más arriba"
Llamarada	<ol style="list-style-type: none"> 1. Acumulación de grasa 2. Exceso de grasa en la carne 3. Temperatura de cocción excesiva 4. Exceso de harina sobre la superficie de cocción 	<ol style="list-style-type: none"> 1. Limpiar el horno 2. Elimine las grasas de la carne antes de cocinarla 3. Ajuste (disminuya) la temperatura en consecuencia 4. Cepille los restos de harina de la superficie de cocción
Retroceso de llama (fuego en el tubo del quemador, silbido en el quemador)	<ol style="list-style-type: none"> 1. El quemador y/o los tubos del quemador están obturados 2. Pérdida de presión durante el encendido 3. El horno se encuentra frente a un viento fuerte 	<ol style="list-style-type: none"> 1. Cierre el botón de ajuste del gas. Limpie el quemador y/o los tubos del quemador. 2. Apague el horno, asegúrese de que la válvula de la bombona esté completamente abierta (si corresponde) y vuelva a encender. 3. Gire el horno de espaldas al viento cuando esté frío.

EE

VEDEPROPAANGAASIL TÖÖTAVA PITSAAHJU KASUTUSJUHEND

HOIATUS

⚠ HOIATUS

Vähendamaks tule- või põletusohu või muud vigastust, lugege see juhis enne seadme kasutamist hoolikalt läbi.

⚠ HOIATUS

Enne ahju puhastamist veenduge, et gaasiventil on suletud, gaasinupp on OFF asendis ning põleti ja ahi on jahtunud.

⚠ HOIATUS

Ärge kunagi jätke ahju tööle ilma järelvalveta. Kui peaks tekkima tulekahju, eemalduge otsekohe seadme juurest ja kutsuge tuletõrje. Ärge püüdke õlist või rasvast tekkinud tulekahju veega kustutada.

Juhiste eiramine võib põhjustada tulekahju, plahvatus või põletusohu, mis võib tekitada kahju teie varale või tervisele või viia surmani.

⚠ HOIATUS

Kasutada üksnes hästiventileeritud paigas.

⚠ OHT

Kui tunnete gaasilõhna:

- Sulgege gaasi pääs seadmesse
- Kustutage kõik leegid
- Kui tunnete endiselt gaasilõhna, eemalduge seadme juurest ja helistage koheleht gaasi tarnijale või tuletõrjese.

⚠ HOIATUS

- Ärge laske gaasivoolikul kuumade pindadega kokku puutuda.
- Alkoholi ning retsepti- või käsimüügiravimite kasutamine võib mõjutada nende tarbija võimekust seadet nõuetekohaselt paigaldada või turvaliselt kasutada.
- Hoidke lapsed ja lemmikloomad alati seadme eemal.
- Ärge liigutage seadet selle töötamise ajal.
- See seade pole mõeldud kütmiseks ning seda ei tohiks kunagi kasutada kütteseadmena.

⚠ HOIATUS

Pärast kasutamist lülitage gaasivarustus gaasiballoonist välja.

⚠ HOIATUS

Seda seadet tuleb kasutamise ajal hoida eemal tuleohtlikest materjalidest.

⚠ HOIATUS

Ärge muutke seadet.

⚠ HOIATUS

Ämblikud ja putukad võivad ehitada seadme põleti sisse pesa ja takistada nii gaasi voolu. Kontrollige põletit vähemalt kord aastas.

⚠ HOIATUS

Kui kasutate gaasipõleti süütamiseks tikke, siis kasutage alati ka seadmega kaasas olevat tikuhoidjat.

⚠ HOIATUS

Enne seadme hoiustamist siseruumides ühendage gaasiballoon alati seadme lahti.

⚠ HOIATUS

Ärge hoiustage gaasiballooni eluhoones, garaazis ega muus suletud ruumis ning hoidke seda alati lastele kättesaamatus kohas.

⚠ HOIATUS

See seade ei sobi paigaldamiseks haagissuvilatesse ega paatidesse.

⚠ HOIATUS

Enne seadme kasutamist kontrollige alati, et seadmes ega ühendustes ei esine gaasilekkeid. Ärge kasutage seadet enne, kui kõik ühendused on kontrollitud.

⚠ HOIATUS

Ärge suitsetage lekke kontrollimise ajal. Ärge kunagi kasutage lekkekontrolliks lahtist leeki.

⚠ HOIATUS

Seadme süütamise ajal hoidke oma nägu ja käed seadme võimalikult kaugel.

⚠ HOIATUS

Minimaalne nõutav vahemaa seadme külgedelt süttivate materjalideni on 609 mm.

Minimaalne nõutav vahemaa seadme tagant süttivate materjalideni on 914 mm.

- Kasutaja ei tohi muuta osi, mille tootja on kinni plomminud.
- Kui seadmes on kasutusel LPG, tuleb kasutada LPG ballooni.
- LPG ballooni suurus: max läbimõõt – 350 mm, max kõrgus – 400 mm.
- Seade tuleb paigaldada küllaldase ventilatsiooniga paika, et ennetada ruumis, kuhu seade paigaldati, tervisele kahjulike ainete vastuvõetamatult suure kontsentratsiooni teket.
- Seadme ja seinte vaheline minimaalne kaugus on 0,5 m.
- Seadme voolik ei tohi olla pikem kui 1,5 m.
- Seade tuleb paigaldada piisavalt ventileeritud ruumi. Tuleb tagada pidev värske õhu varustus ning ennetada põlemata gaaside kogunemist.
- Gaasitoru või -voolik peab vastama kehtivatele riiklikele nõuetele ning seda tuleb regulaarselt läbi vaadata ja see vajadusel välja vahetada.
- Voolik peab vastama standardile EN16436. Regulaator peab vastama standardile EN16129.
- Mõnedes regioonides ei pruugi voolik ja regulaator seadmega kaasa tulla.
- Kontrollige ahju sisemust ja puhastage see vajadusel enne süütamist, et vältida eelmisel toidutegemisel kogunenud õli süttimist.
- Ahju väljalaskeavasid tuleb kontrollida, et need poleks eelmise toiduvalmistamise käigus ummistunud.
- Ahju väljalaskeavasid tuleb kontrollida ummistuste suhtes ning puhastada regulaarselt pehme traatharjaga.
- Korraliku süttimise tagamiseks tuleb ummistusi vältida.

NOMINAALNE GAASIKULU TUNNI KOHTA

ooni	Tootja: Ooni Limited, Unit 5, Bishopsgate Business Center, 189 West Main Street, Broxburn, Scotland, EH52 5LH		CE 0063-20 0063CT7478		EE
Mudel:	Ooni Koda				
Kategooria	<input type="checkbox"/> I3+(28-30/37)	<input type="checkbox"/> I3B/P(30)	<input type="checkbox"/> I3B/P(37)	<input type="checkbox"/> I3B/P(50)	
Gaasi liik	Butaan	Propaan	Butaan, propaan või nende segu		
Gaasi rõhk	28-30 mbar	37 mbar	28-30 mbar	37 mbar	50 mbar
Soojuskuulu kokku	4.0 kW				
Seadme liik	A1				
Injektor/suuruse määrgis	0.75mm/0.75	0.75mm/0.75	0.68mm/0.68	0.64mm/0.64	
Sihtriigid	BE, CH, CZ, ES, FR, GB, IE, IT, LU, PT	DK, EE, FI, IS, IT, NL, NO, SE	PL	AT, CH, DE, SK	
Seade tuleb paigaldada vastavuses kehtivate määrustega ning seda tohib kasutada üksnes hästiventileeritud paigas. Enne eadme paigaldamist ja kasutamist lugege juhised läbi.					

ENNE SÜÜTAMIST

Enne gaasiventili avamist kontrollige gaasivoolikut. Kui sellel esineb purunemise, kulumise või hõõrdumise märke, tuleb voolik enne kasutamist välja vahetada.

Ühendage regulaator gaasiballooniga. Enne ahju süütamist tehke vooliku ja regulaatori ühendustele seebilehusega lekkek kontroll.

Kasutage ainult seadmega kaasas olevat regulaatorit ja gaasivoolikut.

⚠️ LP GAASIBALLOONI HOIATUS

1. Ärge hoidke gaasiballooni seadme all ega otseses läheduses.
2. Ärge kunagi täitke gaasiballooni enam kui 80% ulatuses selle mahtuvusest.
3. Vedelgaasiballoonile peab olema paigaldatud ületäitmiskaitse.
4. Nende juhiste eiramine võib põhjustada tulekahju ning tõsiseid vigastusi või isegi surma.

ETTEVAATUSABINÕUD VIGASTUSTE VÄLTIMISEKS

Kui hooldate oma ahju vastavalt juhistele, töötab see ohutult ja teenib teid kaua. Olge sellegipoolest ahju kasutamisel väga hoolikas, kuna see tekitab suurt kuumust, mis võib põhjustada õnnetusi.

Selle ahju kasutamisel tuleb järgida põhilisi ohutuseeskirju, mille hulka kuuluvad muuhulgas, kuid mitte ainult, alljärgnevaid juhiseid.

- Ärge parandage ega asendage seadme mis tahes osa, kui seda pole selles juhendis eraldi soovitatud. Seadme hoolduse peab läbi viima kvalifitseeritud tehnik.
- Lapsi ei tohi ahju lähedal jätta ükski ega järelvalveta. Ärge lubage lastel kunagi ahju juures istuda, seista ega mängida.
- Vältige riiete ja muude süttivate materjalide kokkupuudet põleti ja muude kuumade pindadega. Riideesemete süttimine võib tekitada tõsiseid kehavigastusi.
- Kandke ahju kasutades sobivaid rõivaid. Vältige liiga avaraid rõivaid ja varrukaid. Mõned sünteetilised materjalid on väga kergestisüttivad ja neid ei tohiks ahju kasutamisel kanda.
- Ärge kuumutage avamata toidupakendeid, kuna rõhu kogunemine võib põhjustada pakendi lõhkemise. Põleti süütamisel olge tähelepanelik ja hoolikas.
- Ärge puudutage töötava ahju välimist kesta, kivist küpsetusalust ega nende vahetut ümbrust, kuna need piirkonnad lähevad väga kuumaks ning võivad põhjustada põletust.
- Ärge küpsetage selles ahjus väga rasvast liha või muid toite, mis võivad tekitada süttimisohu.
- Hoidke ahju ümbrusest eemal kõik kergestisüttivad materjalid, kaasa arvatud süttivad vedelikud, prügi ning lenduvad ained nagu bensiin ja süütevedelik.
- Ärge takistage põlemist ega ventilatsiooniõhu voolu.
- Ärge kasutage ahju väga tuulise ilmaga.
- Ahju alune temperatuur on kõrge. Ärge paigutage ahju lauale, kus on kergestisüttiv laudlina, plastikust pind või muid tuleohtlikke materjale.

LISTE OVER DELE

1. Ooni Koda
2. Stenbageplade

SAMLING

Sørg for, at alle dele er til stede inden montering. Hvis en del mangler eller er beskadiget, må du ikke forsøge at samle apparatet. Kontakt kundeservice for reservedele.

SAMLEVEJLEDNING

1. Fold benene ud
 2. Indsæt stenbagepladen
 3. Tilslut gasslangen til Ooni Koda
- Afhængigt af din region kan slangen være samlet på forhånd.
- 3a. Tilslut gasslangen direkte til Ooni Koda
 - 3b i). Tilslut samling til Ooni Koda
 - 3b ii). Tilslut gasslangen til samling
- Stram med passende skrueøgler
4. Tilslut til gasflaske

ADVARSEL

Hold altid gasflasken i opretstående stilling.

- Størrelsen på 20 lbs LP gasflasken er 12,2 tommer i diameter og 17,9 tommer i højden
- Hvis apparatet ikke er i brug, skal gassen være slukket ved tilførselsflasken.
- Den anvendte flaske skal indeholde en krave for at beskytte flaskeventilen.
- Minimumsafstanden for apparatet og 20 lb gasflasken er 25 tommer fra hinanden.

PATIO GASREGLER

Dette er en gasfitting, der trykkes på. Sørg for, at den sorte kontakt er i v drejret position. Tryk på knappen, som er placeret under den sorte kontakt, og tryk regulatoren på beholderventilen, indtil den låses på plads.

POL GASREGULATOR

Denne gasfitting skal drejes mod uret. Sørg for, at beholderen er helt slukket og skru regulatoren så langt som muligt på gasbeholderventilen.

TILSLUTNING AF GASFLASKE

For at tilslutte en flaske med flydende propangas: Flaskerventilen skal være i OFF-position. Kontroller, at tænd-/slukknappen er i OFF-position. Undersøg ventilforbindelserne, indgangen og regulatorenheden. Fjern snavs og inspicer slangen for beskadigelse. Ved tilslutning af regulatoraggregatet til ventilen, brug din hånd til at stramme møtrikken med uret, indtil den stopper. Brug af en skrueøgle kan beskadige hurtigkoblingsmøtrikken og resultere i en farlig situation. Åbn flaskeventilen helt ved at dreje ventilen mod uret. Før du tænder ovnen, skal du bruge en sæbe og vandopløsning til at kontrollere alle tilslutninger for lækager. Hvis du finder en lækage, skal du dreje flaskeventilen til OFF-position, og brug ikke ovnen, før den lokale forhandler af flaskegas kan foretage reparationer.

FRAKOBLING AF GASFLASKE

Drej ovnens tænd-/slukknop til OFF-position

Sørg for, at beholderventilen er i slukket/lukket position.

Løsn regulatoraggregatet fra flaskens ventil ved at dreje hurtigkoblingsmøtrikken mod uret.

Placer støvhætten på flaskens ventiludløb, når flasken ikke er i brug.

LÆKAGETEST

GENERELT

Selvom apparatets gastilslutninger er testet for lækage før pakning og forsendelse, skal der udføres en komplet test på installationsstedet.

Kontroller alle gastilslutninger for lækage inden brug ved hjælp af nedenstående fremgangsmåde. Hvis du på noget tidspunkt kan lugte gas, skal du straks stoppe med at bruge ovnen og kontrollere hele systemet for lækager.

FØR TESTNING

Sørg for, at alt emballeringsmateriale er blevet fjernet fra apparatet.

Lav en opløsning af en del flydende vaskemiddel og en del vand. Du skal bruge en sprayflaske, børste eller klud for at påføre opløsningen på beslagene.

TESTNING

Drej tænd-/slukknappen til OFF-position

Drej gasflaskens ventil mod uret for at åbne ventilen.

Påfør sæbeopløsningen på alle gasbeslag. Der vil være sæbebobler de steder, hvor der er en lækage.

Hvis der er en lækage, skal du straks slukke for gasforsyningen og stramme de beslag, der lækker.

Tænd for gassen igen og kontroller igen.

Hvis gassen fortsætter med at lække fra et af beslagene, skal du slukke for gasforsyningen og kontakte kundeservice.

BRUGSANVISNING

BRUG AF OVEN

Hver brænder er bedømt til 4.0KW.

Opstart:

Sørg for, at ovnen er testet for lækager og korrekt placeret.

Fjern eventuelt resterende emballagemateriale.

Tænd for brænderen ved hjælp af TÆNDINGSVEJLEDNING nedenfor

TÆNDINGSVEJLEDNING

AT TÆNDE FOR BRÆNDEREN

Kontroller, at tænd-/slukknappen er i OFF-position, og drej derefter gasflaskens ventil til ON-position ved at dreje langsomt mod uret.

Skub ind og drej tænd-/slukknappen langsomt mod uret, indtil du hører et klik og brænderen antændes.

Fortsæt med at holde tænd-/slukknappen inde i 5 sekunder.

Hvis brænderen ikke antændes, drejes knappen til OFF-position, vent 5 minutter og gentag tændingsproceduren.

AT TÆNDE MED EN TÆNDSTIK

Hvis brænderen ikke antændes efter flere forsøg med tænd-/slukknappen, kan brænderen tændes med en tændstik.

Hvis du allerede har forsøgt at tænde brænderen ved hjælp af tænd-/slukknappen, skal du vente 5 minutter for at eventuel gas kan forsvinde.

Indsæt en tændstik i tændstikholderen, antænd tændstikken og før gennem ovnens åbning for at tænde brænderen.

Skub tænd-/slukknappen langsomt til HI, og brænderen bør straks antændes.

Hvis brænderen ikke antændes inden for få sekunder, skal du dreje tænd-/slukknappen til OFF-position, vente 5 minutter og prøve igen.

PLEJE OG VEDLIGEHOLDELSE

Opbevar Ooni Koda ude af direkte sollys og indendørs, hvor det er muligt, og når du opbevarer den i længere tid. Ooni Koda bør ikke udsættes for barske vejrforhold som sne, kraftig regn og

stærk vind.

Vent til Ooni Koda er helt afkølet, inden du flytter den.

Ooni Kodas ydre skal kan falme over tid og ved brug. Dette påvirker ikke ydeevnen.

STENBAGEPLADE

1. Brug IKKE stenen over åben ild.
2. Undgå at udsætte stenen for ekstrem temperaturændring. Placer IKKE frosne fødevarer på en varm sten.
3. Stenen er skrøbelig og kan gå i stykker, hvis den får stød eller tabes.
4. Stenen er meget varm under brug og forbliver varm i lang tid efter brug.
5. Køl ikke stenen ned med vand, når stenen er varm.
6. Efter rengøring af stenen med vand, skal du tørre stenen inden brug. Dette kan gøres i en almindelig bageovn ved 60°C (140°F) i 2 timer.

FEJLFINDING

Problem	Mulig årsag	Forebyggelse/Løsning
Brænder vil ikke antændes	<ol style="list-style-type: none">1. Ingen gastilførsel2. Koblingsmøtrik og regulator ikke helt forbundet3. Hindring af gastilførsel4. Frakobling af brænder til ventil5. Forkert samling	<ol style="list-style-type: none">1. Tjek om gasflasken er tom2. Drej koblingsmøtrikken ca. en halv til tre fjerdedel omgang yderligere til fuld stop. Stram kun med hånden - brug ikke værktøj3. Fjern brænderrøret4. Saml brænder og ventil igen5. Kontroller trinene i samlevejledningen
Pludselig fald i gastilførsel eller lille flamme	<ol style="list-style-type: none">1. Løbet tør for gas	<ol style="list-style-type: none">1. Tjek om der er gas i flasken2. Sluk for tænd-/slukknappen til gassen, vent 30 sekunder og tænd ovnen. Hvis flammerne stadig er små, skal du slukke for tænd-/slukknappen til gasse og flaskens ventil. Afbryd regulatoren. Tilslut regulator igen og test for lækage. Tænd for gasflaskens ventil, vent 30 sekunder og tænd ovnen.
Flammer går ud	<ol style="list-style-type: none">1. Stærk vind eller vindstød2. Ved at løbe tør for propangas	<ol style="list-style-type: none">1. Drej ovnens front væk fra vinden2. Påfyld propanflaske3. Se "Pludselig fald i gastilførsel" ovenfor
Opblussen	<ol style="list-style-type: none">1. Ophobning af fedt2. Overdreven fedt kød3. Overdreven tilberedningstemperatur4. Overskydende mel på tilberedningsoverfladen	<ol style="list-style-type: none">1. Rengør ovnen2. Skær fedt af kød før tilberedning3. Indstil (lavere) temperatur i overensstemmelse hermed4. Børst melrester af tilberedningsoverfladen
Flashback (brand i brænderrør, brølende lyd fra brænder)	<ol style="list-style-type: none">1. Brænder og/eller brænderør er blokeret2. Trykfald under tænding3. Ovn står med fronten mod stærk vind	<ol style="list-style-type: none">1. Sluk tænd-/slukknappen til gassen. Rengør brænder og/eller brænderør.2. Sluk for ovnen, sørg for, at beholderventilen er helt åben (hvis relevant) og antænd igen.3. Drej ovnens front væk fra vinden, når den er afkølet.

MANUAL DEL USUARIO DEL HORNO DE PIZZA A GAS PROPANO

ADVERTENCIA

⚠ ADVERTENCIA

Para reducir el riesgo de incendio, quemaduras u otras lesiones, lea este manual de seguridad detenidamente y completamente antes de usar este aparato.

⚠ ADVERTENCIA

Antes de limpiar, asegúrese de que el suministro de gas esté cortado, que el botón de ajuste esté en la posición de apagado y que el quemador y el horno se hayan enfriado.

⚠ ADVERTENCIA

Nunca deje funcionar este aparato sin supervisión. En caso de incendio, manténgase alejado del aparato y llame inmediatamente a su departamento de bomberos. No intente apagar un incendio de aceite o grasa con agua.

El incumplimiento de estas instrucciones podría resultar en peligro de incendio, explosión o quemaduras que podrían causar daños a la propiedad, lesiones corporales o la muerte.

⚠ ADVERTENCIA

Usar en un lugar bien ventilado.

⚠ PELIGRO

Si percibe un olor a gas:

- Cierre la alimentación en gas del aparato
- Apague cualquier llama abierta
- Si el olor persiste, manténgase alejado del aparato y llame inmediatamente a su proveedor de gas o a su departamento de bomberos.

⚠ ADVERTENCIA

- Mantenga la manguera de suministro de gas alejada de cualquier superficie calentada.
 - El uso de alcohol, medicamentos recetados o no recetados puede perjudicar la capacidad del consumidor para ensamblar correctamente o manejar el aparato de manera segura.
 - Mantenga a los niños y a las mascotas alejados del aparato en todo momento.
 - No mueva el aparato mientras esté en uso.
- Este aparato no está diseñado para ser usado como calentador y no debe ser usado como tal.

⚠ ADVERTENCIA

Apague el suministro de gas en el cilindro de gas después de su uso.

⚠ ADVERTENCIA

Las arañas y los insectos pueden anidar dentro del quemador del aparato e interrumpir el flujo de gas. Examine el quemador al menos una vez al año.

⚠ ADVERTENCIA

Cuando utilice una cerilla para encender el aparato, asegúrese de usar el soporte para cerillas incluido.

⚠ ADVERTENCIA

No almacene este aparato en el interior a menos que la bombona de gas esté desconectada.

⚠ ADVERTENCIA

No almacene la bombona de gas en un edificio, garaje o cualquier otro lugar cerrado y manténgala fuera del alcance de los niños en todo momento.

⚠ ADVERTENCIA

Este aparato no está destinado a ser instalado en o sobre vehículos de recreo y/o embarcaciones.

⚠ ADVERTENCIA

Antes de cada uso, revise todas las conexiones de suministro de gas en busca de fugas. No utilice el aparato hasta que se hayan comprobado todas las conexiones y que haya constatado que no haya fugas.

⚠ ADVERTENCIA

No fume durante la prueba de fugas. Nunca realice una prueba de fugas con una llama abierta.

⚠ ADVERTENCIA

Al encender, mantenga la cara y las manos lo más alejadas posible del aparato.

⚠ ADVERTENCIA

La distancia mínima entre los lados del aparato y una construcción combustible es de 609 mm (24 pulgadas).

La distancia mínima entre la parte posterior del aparato y una construcción combustible es de 914 mm (36 pulgadas).

⚠ ADVERTENCIA

Este aparato debe mantenerse alejado de materiales inflamables durante su uso.

⚠ ADVERTENCIA

No modifique el aparato.

- El aparato está destinado para un uso profesional únicamente y sólo debe ser operado por usuarios cualificados.
- Las piezas selladas por el fabricante no deben ser ajustadas por el usuario.
- Cuando el aparato está utilizado con gas natural, se debe utilizar una bombona de gas.
- Tamaño de la bombona de gas natural: diámetro máx. - 350 mm, altura máx. - 400 mm.
- El aparato debe instalarse con ventilación suficiente para evitar que se generen concentraciones excesivas de sustancias nocivas para la salud en el local en el cual está instalado.
- La distancia mínima entre el aparato y las paredes adyacentes es de 0,5 m.
- La manguera del aparato no debe superar 1,5 m.
- El aparato debe instalarse en una habitación adecuadamente ventilada. El flujo permanente de aire limpio está garantizado y no hay acumulación de gases no quemados.
- La manguera flexible de suministro de gas debe cumplir los requisitos nacionales vigentes y debe ser examinada periódicamente y sustituida en caso necesario.
- La manguera debe cumplir con la norma EN16436. El regulador de presión debe cumplir con la norma EN16129.
- Según el país, es posible que el conjunto de manguera y regulador no esté suministrado con el aparato.
- Compruebe y limpie adecuadamente el interior del horno antes de encenderlo para evitar la emisión de llamas debida a grasas acumuladas durante el uso anterior.
- Compruebe que las salidas del quemador no se hayan obstruido durante el uso anterior.
- Las salidas del quemador deben ser examinadas para detectar obstrucciones y limpiadas regularmente con un cepillo de alambre suave.
- Es preciso evitar la obstrucción y permitir una combustión adecuada.

CONSUMO HORARIO NOMINAL DE GAS

ooni	Fabricante:	Ooni Limited, Unit 5, Bishopsgate Business Center, 189 West Main Street, Broxburn, Scotland, EH52 5LH				CE 0063-20 0063CT7478	ES
	Modelo:	Ooni Koda					
Categoría	<input type="checkbox"/> I3+(28-30/37)		<input type="checkbox"/> I3B/P(30)	<input type="checkbox"/> I3B/P(37)	<input type="checkbox"/> I3B/P(50)		
Tipo de gas	Butano	Propano	Butano, propano o sus mezclas				
Presión de gas	28-30 mbar	37 mbar	28-30 mbar	37 mbar	50 mbar		
Potencia calorífica total	4.0 kW						
Tipo de aparato	A1						
Tamaño del inyector/marcado	0.75mm/0.75		0.75mm/0.75	0.68mm/0.68	0.64mm/0.64		
Países de destino	BE, CH, CZ, ES, FR, GB, IE, IT, LU, PT		DK, EE, FI, IS, IT, NL, NO, SE	PL	AT, CH, DE		
Este aparato debe instalarse de acuerdo con la normativa vigente y utilizarse únicamente en un área bien ventilada. Lea las instrucciones antes de instalar y usar el aparato.							

ANTES DE ENCENDER

Inspeccione la manguera de suministro antes de encender el gas. Si hay evidencia de corte, desgaste o abrasión, debe ser reemplazada antes del uso.

Atornille el regulador a la bombona de gas. Antes de encender el aparato, compruebe la ausencia de fugas sobre la manguera y las conexiones del regulador con una solución de agua y jabón.

Sólo deben utilizarse el regulador de presión y la manguera de gas suministrados con este aparato.

ADVERTENCIA BOMBONA DE GAS PROPANO

1. No almacene la bombona de gas propano de repuesto debajo o cerca de este aparato.
2. Nunca llene la bombona más allá del 80% de su capacidad.
3. La bombona de gas propano debe estar equipada con un DISPOSITIVO ANTI-REBOSE.
4. El incumplimiento de estas instrucciones puede resultar en un incendio que puede provocar la muerte o lesiones graves.

REGLAS DE SEGURIDAD PARA EVITAR LESIONES

Si realiza un mantenimiento adecuado, su horno le proporcionará un servicio seguro y confiable. Sin embargo, se debe tener mucho cuidado ya que el horno produce un calor intenso que puede aumentar el riesgo de accidentes.

Al usar este horno se deben seguir las reglas de seguridad básicas, incluyendo, pero no limitado a las siguientes:

- No repare ni reemplace ninguna parte del horno a menos que se recomiende específicamente en este manual. Cualquier otro mantenimiento debe ser realizado por un técnico calificado.
- No deje a los niños solos o desatendidos en el área donde se esté usando el horno. No permita que los niños se sienten, suban o jueguen alrededor del horno en ningún momento.
- Nunca deje ropa u otros materiales inflamables en contacto o a proximidad de una superficie caliente o de un quemador hasta que se haya enfriado. La tela podría inflamarse, causando lesiones graves.
- Para su seguridad personal, use ropa adecuada. Nunca use prendas de vestir o mangas sueltas mientras utilice el horno. Algunas telas sintéticas son altamente inflamables y no deben usarse cuando cocina.
- No caliente recipientes de alimentos sin abrir, ya que la acumulación de presión puede hacer que exploten. Cuando encienda el quemador, siempre preste mucha atención a lo que está haciendo.
- Al usar el horno, no toque la carcasa exterior, la tabla de cocción de piedra o sus alrededores inmediatos, ya que estas áreas se vuelven muy calientes y podrían causar quemaduras.
- No utilice el horno para cocinar carnes extremadamente grasosas u otros productos que aumenten la combustión.
- Mantenga el área circundante al horno libre de material combustible, incluyendo líquidos, basura y vapores como gasolina o líquido de encendido de barbacoa.
- No obstruya el flujo de aire de combustión y de ventilación.
- Nunca utilice el horno en condiciones de viento extremo.
- La temperatura debajo del horno es alta. No coloque la parrilla sobre una mesa con manteles inflamables, de plástico o cualquier otro material inflamable.

DETAILIDE NIMEKIRI

1. Ooni Koda
2. Kivist küpsetusalus

MONTEERIMINE

Enne kokkupanekut veenduge, et kõik vajalikud osad on olemas. Kui mõni osa on puudu või vigane, ärge püüdke seadet kokku panna. Varuosade tellimiseks võtke ühendust klienditoega.

MONTEERIMISJUHISED

1. Voltige jalad lahti
 2. Paigaldage kivist küpsetusalus
 3. Ühendage gaasivoolik Ooni Kodaga
Olenevalt turust võib gaasivoolik olla juba monteeritud
 - 3a. Gaasivooliku otsene ühendamine Ooni Koda'ga
 - 3b i). Ühendusotsiku ühendamine Ooni Koda'ga
 - 3b ii). Gaasivooliku ühendamine ühendusotsikuga
- Pinguldage sobiva mutrivõtme
4. Gaasiballooniga ühendamine

HOIATUS

- Hoidke gaasiballooni alati püstises asendis
- 20-naelase (9kg) vedelpropanaiballooni diameeter on 12,2 tolli (31 cm) ja kõrgus 17,9 tolli (45,5 cm)
- Kui seadet ei kasutata, tuleb gaasiballooni ventiil sulgeda.
- Kasutataval gaasiballoonil peab olema rõngas, mis kaitseb ventiili.
- Minimaalne nõutav vahemaa seadme ja gaasiballooni vahel on 0.6 m.

KIIRKINNITUSEGA GAASIREGULAATOR

Regulaatori paigaldamiseks vajutage see gaasiballooni ventiilile. Veenduge, et must hoob on horisontaalses asendis. Vajutage hoova all asuv nupp alla ning suruge regulaator gaasiballooni ventiili külge, kuni see lukustub paigale.

KEERMEGA GAASIREGULAATOR

Kontrollige, et gaasiballooni ventiil on täielikult suletud. Keerake regulaator gaasiballooni ventiili külge.

VEDELPROPAANIBALLOONI ÜHENDAMINE

Gaasiballooni ühendamiseks toimige järgnevalt. Veenduge, et gaasiballooni ventiil on suletud. Veenduge, et seadme juhtnupp on OFF asendis. Kontrollige ventiiliühendusi, porte ja regulaatorikomplekti. Eemaldage mustus ning kontrollige, et gaasivoolik on terve ja vigastusteta. Regulaatorikomplekti ühendamisel ventiili külge pinguldage mutrit käsitsi kellaosuti liikumise suunas, kuni see on kindlalt paigal. Mutrivõtme kasutamine võib ühendust kahjustada ning tekitada ohtliku olukorra.

Avage täielikult gaasiballooni ventiil, keerates seda vastupäeva. Enne ahjus tule süütamist teostage kõigile ühendustele seebiveega lekkek kontroll.

Kui avastate lekke, sulgege gaasiballooni ventiil ning ärge kasutage ahju enne, kui gaasi tarnija on vea parandanud.

VEDELPROPAANIBALLOONI LAHTIÜHENDAMINE

Lülitage ahju juhtnupp OFF asendisse.

Veenduge, et gaasiballooni ventiil on suletud.

Ühendage regulaatorikomplekt gaasiballooni ventiili küljest lahti, keerates mutrit vastupäeva.

Paigaldage tolmukate gaasiballooni silindri alati, kui te ballooni ei kasuta.

LEKKEKONTROLL

ÜLDINE

Kuigi seadme gaasiühendustele on enne pakkimist teostatud lekkek kontroll, tuleb neid alati kontrollida ka seadme kasutuselevõtu käigus. Enne iga kasutamist kontrollige kõiki ühendusi alltoodud meetodil. Kui tunnete seadme läheduses gaasiõhna, tuleb seadme kasutamise koheselt peatada ja kogu süsteemile lekkek kontroll teostada.

ENNE KONTROLLIMIST

Veenduge, et kogu pakkematerjal on eemaldatud.

Valmistage 1:1 lahus vedelseebist ja veest. Teil läheb vaja ka pihustipudeit, harja või lappi, mille abil lahus detailidele kanda.

KONTROLLIMINE

Keerake seadme juhtnupp OFF asendisse.

Avage gaasiballooni ventiil, keerates seda vastupäeva.

Kandke seebilahust kõigile gaasiühendustele. Kui esineb leke, ilmuvad lekkekohale seebimullid.

Kui leitate lekke, sulgege kohe gaasiventiil ning pinguldage ühenduskohti.

Avage seejärel gaasiventiil ja kontrollige ühendusi uuesti.

Kui gaasileket ei õnnestu kõrvaldada, sulgege gaasiventiil ning võtke ühendust klienditoega.

KASUTUSJUHEND

AHJU KASUTAMINE

Põleti nominaalvõimsus on 4.0KW.

Enne kasutamist:

Veenduge, et ahi on paigutatud sobivasse asukohta ning teostage lekkek kontroll.

Kontrollige, et kogu pakkematerjal on eemaldatud.

Süüdake põleti, järgides alljärgnevat süütamisjuhendit.

SÜÜTAMISJUHEND

PÕLETI SÜÜTAMINE

Veenduge, et seadme juhtnupp on OFF asendis ning avage gaasiballooni ventiil, keerates seda aeglaselt vastupäeva.

Vajutage seadme juhtnupp sisse ja keerake seda aeglaselt vastupäeva, kuni kuulete klõpsu ning põleti süttib.

Hoidke juhtnuppu sees 5 sekundi vältel.

Kui põleti ei sütti, lülitage nupp OFF asendisse, oodake 5 minutit ning korrake süütamisprotsessi.

TIKUGA SÜÜTAMINE

Kui põleti ei sütti juhtnupu abil, võib selle süüdata tikuga.

Kui olete juba proovinud põletit juhtnupu abil süüdata, oodake 5 minutit, et gaas saaks seadmest lahtuda.

Asetage tikk tikuhoidjasse, süüdake tikk ning viige see läbi ahjusuu põletini.

Vajutage ja keerake juhtnuppu aeglaselt HI suunas. Põleti peaks

koheselt süttima.

Kui põleti mõne sekundi jooksul ei sütti, keerake nupp OFF asendisse, oodake 5 minutit ja proovige uuesti.

HOOLDUS JA KORRASHOID

Kui te Ooni Koda't pikema aja vältel ei kasuta, siis hoidke seda võimaluse korral siseruumis ning otsese päikesevalguse eest kaitstult. Ooni Koda't ei tohiks jätta pikemaks ajaks õue lume, vihma ega tugeva tuule kätte.

Enne Ooni Koda liigutamist laske sellel täielikult maha jahtuda. Ooni Koda väliskest võib aja ja kasutamise mõjul tuhmuda. See ei mõjuta seadme töötamist.

VEAOTSING

Probleem	Võimalik põhjus	Ennetus/lahendus
Põleti ei sütti	1. Puudub gaasi juurdevool 2. Ühendusmutter ja regulaator ei ole täielikult ühendatud 3. Gaasi juurdevoolu takistus 4. Põleti ja ventiil on eraldatud 5. Seadme ebakorrektne monteerimine	1. Kontrollige, et balloonis on piisavalt gaasi 2. Keerake ühendusmutrit umbes pool kuni kolmveerand pööret edasi, kuni mutter on kindlalt paigal. Pingutage mutrit ainult käsitsi – ärge kasutage tööriistu. 3. Puhastage põleti toru 4. Ühendage põleti ja ventiil uuesti 5. Järgige seadme paigaldusjuhendit
Järsk gaasirõhu langus või liiga väike leek	1. Gaas on otsas	1. Kontrollige gaasi taset balloonis. 2. Lülitage seadme juhtnupp välja, oodake 30 sekundit ning süüdake ahjus tuli. Kui leegid on endiselt väikesed, lülitage seadme juhtnupp välja ja sulgege gaasiballooni ventiil. Ühendage regulaator lahti. Ühendage regulaator uuesti ning teostage lekkek kontroll. Avage gaasiballooni ventiil. Oodake 30 sekundit ning seejärel süüdake ahjus tuli.
Leek kustub	1. Tugev või puhanguline tuul 2. Balloonis on liiga vähe gaasi	1. Pöörake ahjusuu tuulest eemale 2. Täitke gaasiballoon 3. Vaadake ülalolevat punkti "Järsk gaasirõhu langus või liiga väike leek"
Leekide lahvatamine	1. Kogunenud rasv 2. Liigne rasvasisaldus lihas 3. Liiga kõrge küpsetamistemperatuur 4. Liiga palju jahu küpsetuspinnal	1. Puhastage ahi 2. Eemaldage lihalt enne küpsetamist liigne rasv 3. Reguleerige (vähendage) temperatuuri 4. Pühkige liigne jahu küpsetuspinnalt ära
Tagasivool (tuli põleti torus, müra põlemisel)	1. Põleti ja/või põleti torud on ummistunud 2. Rõhu järsk langus põleti süütamisel 3. Ahi on suuga tugeva tuule suunas	1. Lülitage seadme juhtnupp välja. Puhastage põleti ja/või torud 2. Lülitage ahi välja. Veenduge, et gaasiballooni ventiil on täielikult avatud ning süüdake põleti uuesti. 3. Oodake, kuni ahi on jahtunud, ning pöörake ahjusuu tuulest eemale.

KIVIST KÜPSETUSALUSA

1. Kivi EI TOHI kasutada otse lahtise tule kohal.
2. Vältige kivi temperatuuri järskede kõikumisi. Külmutatud toiduaineid EI TOHI panna kuumale kivile.
3. Kivi on õrn ja võib löökide või kukkumise korral puruneda.
4. Kasutamise ajal on kivi väga kuum ning jääb kuumaks ka pikaks ajaks pärast kasutamist.
5. Kuuma kivi EI TOHI veega jahutada.
6. Kui puhastate kivi veega, kuivatage see enne kasutamist põhjalikult. Kuivatamiseks võib kivi panna kaheks tunniks tavalisse küpsetusahju, mille temperatuur on 60°C.

FI

NESTEKAASUKÄYTTÖISEN PIZZAUUNIN KÄYTTÖOHJEET

VAROITUS

⚠ VAROITUS

Tulipalon, palovammojen tai muiden vahinkojen vältämiseksi, lue nämä turvaohjeet huolellisesti ja kokonaan ennen laitteen käyttöä.

⚠ VAROITUS

Ennen puhdistusta varmista, että kaasunjakelu ja säätönappi ovat OFF-asennossa, ja että poltin ja uuni ovat jäähtyneet.

⚠ VAROITUS

Älä koskaan käytä laitetta ilman valvontaa. Tulipalon syttyessä pysy kaukana laitteesta ja soita heti palokunnalle. Älä yritä sammuttaa öljy- tai rasvapalaa vedellä. Näiden ohjeiden laiminlyönti voi aiheuttaa tulipalon, räjähdyksen tai palovamman vaaran, joka voi aiheuttaa omaisuusvahinkoja, loukkaantumisen tai kuoleman.

⚠ VAROITUS

Käyttää vain hyvin ilmastoidussa tilassa.

⚠ VAARA

Jos tunnet kaasun hajua:

- Sammuta laitteen kaasunjakelu
- Sammuta kaikki avoileikat
- Jos haju jatkuu, pysy kaukana laitteesta ja soita heti kaasun toimittajalle tai palokunnalle.

⚠ VAROITUS

- a. Pidä polttoaineen syöttöletku kaukana kuumista pinnoista.
- b. Alkoholin, resepti- tai käsi- ja kodinlääkkeiden käyttö voi heikentää käyttäjän kykyä asianmukaisesti koota tai käyttää laitetta turvallisesti.
- c. Pidä lasten ja lemmikkieläinten ulottumattomissa.
- d. Älä siirrä laitetta käytön aikana.
- e. Tätä laitetta ei ole tarkoitettu lämmittämiseen eikä sitä pitäisi koskaan käyttää lämmittimenä.

⚠ VAROITUS

Sammuta kaasusylinteri kaasun käytön jälkeen.

⚠ VAROITUS

Tämä laite on pidettävä erillään syttyvistä materiaaleista käytön aikana.

⚠ VAROITUS

Älä muuta laitetta.

⚠ VAROITUS

Hämähäkit ja hyönteiset voivat pesiä laitteen polttimeen ja estää kaasun virtauksen. Tarkasta poltin vähintään kerran vuodessa.

⚠ VAROITUS

Jos käytät sytyttämiseen tuliitikkuja, käytä aina myös laitteen mukana tullutta tuliitikkupidikettä.

⚠ VAROITUS

Älä säilytä laitetta sisätiloissa, ellei kaasusäiliötä ole irrotettu.

⚠ VAROITUS

Älä säilytä kaasusäiliötä rakennuksessa, autotallissa tai muussa suljetussa tilassa ja pidä se aina lasten ulottumattomissa.

⚠ VAROITUS

Tätä laitetta ei ole tarkoitettu asennettavaksi matkailuajoneuvoihin ja/tai veneisiin.

⚠ VAROITUS

Tarkista kaikki kaasuliittimet vuotojen varalta ennen jokaista käyttöä. Älä käytä laitetta ennen kuin kaikki kytkennät on tarkastettu eivätkä ne vuoda.

⚠ VAROITUS

Älä tupakoi testatessasi vuotoja. Älä koskaan tee vuoto testiä avoileikillä.

⚠ VAROITUS

Sytyttäessäsi laitetta, pidä kasvosi ja kätesi mahdollisimman kaukana laitteesta.

⚠ VAROITUS

Minimietäisyys laitteen sivuilta palavaan rakenteeseen on 610 mm (24 tuumaa).

Minimietäisyys laitteen takaosasta palavaan rakenteeseen on 915 mm (36 tuumaa).

- Käyttäjän ei pitäisi säätää valmistajan sinetöimiä osia
- Kun laitteessa käytetään nestekaasua (LPG), nestekaasupulloa pitää käyttää
- Nestekaasupullon koko: maks. halkaisija - 350 mm, korkeus - 400 mm.
- Laite vaatii riittävän ilmanvaihdon, jotta terveydelle haitallisten aineiden pitoisuuksien esiintyminen voidaan välttää huoneessa, johon laite on asennettu
- Laitteen ja läheisten seinien välinen vähimmäisetäisyys on 0,5 m
- Laitteen letku ei saa olla pidempi kuin 1,5 m
- Laite on asennettava riittävästi ilmastoituun huoneeseen. Puhtaan ilman saanti varmistetaan eikä palamattomia kaasuja ei kerry
- Kaasun syöttöletkun on täytettävä voimassa olevat kansalliset vaatimukset ja se on tarkastettava säännöllisesti ja vaihdettava tarvittaessa.
- Letkun tulee olla standardin EN16436 mukainen. Säätimen on oltava standardin EN16129 mukainen.
- Joillakin alueilla letkun ja säätimen kokoonpano ei välttämättä toimiteta laitteen mukana.
- Tarkista ja puhdista uunin sisäpuoli ennen sen syöttämistä tulipalon välttämiseksi, joka voi aiheutua edellisen käytön aikana kertyneistä öljyistä.
- Polttimen poistoaukot on tarkistettava edellisen käytön jälkeisiltä mahdollisilta tukoksilta.
- Polttimen poistoaukot on tarkistettava tukoksilta ja puhdistettava säännöllisesti pehmeällä teräsharjalla.
- Tukosten välttäminen on tarpeellista hyvän palamisen varmistamiseksi

NIMELLINEN KAASUN KULUTUS TUNNISSA

ooni	Valmistaja: Ooni Limited, Unit 5, Bishopgate Business Center, 189 West Main Street, Broxburn, Scotland, EH52 5LH Malli: Ooni Koda				CE 0063-20 0063CT7478	FI
Luokka	<input type="checkbox"/> I3+(28-30/37)		<input type="checkbox"/> I3B/P(30)	<input type="checkbox"/> I3B/P(37)	<input type="checkbox"/> I3B/P(50)	
Kaasutyypit	Butaani	Propani	Butaani, propani tai niiden seos			
Kaasunpaine	28-30 mbar	37 mbar	28-30 mbar	37 mbar	50 mbar	
Lämmönsyöttö	4.0 kW					
Laitetyyppi	A1					
Injektori- / kokomerkinä	0.75mm/0.75		0.75mm/0.75	0.68mm/0.68	0.64mm/0.64	
Kohdemaat	BE, CH, CZ, ES, FR, GB, IE, IT, LU, PT		DK, EE, FI, IS, IT, NL, NO, SE	PL	AT, CH, DE, SK	
Tämä laite on asennettava voimassa olevien määräysten mukaisesti ja. sitä saa käyttää vain hyvin ilmastoidussa tilassa. Tutustu ohjeisiin ennen laitteen asentamista ja käyttöä.						

ENNEN SYTYTYSTÄ

Tarkista kaasuletku ennen kuin käännät kaasun päälle. Jos letkussa näkyy halkeamia tai kulumista, se on vaihdettava ennen käyttöä. Kierrä säädin kaasusäiliöön. Tarkista letkun ja säätimen liitoskohta vuodoilta saippuavedellä ennen kuin sytytät laitteen.

Käytä ainoastaan tämän laitteen mukana tulleita painesäätimiä ja kaasuletkuja.

NESTEKAASUSÄILIÖVAROITUS

1. Älä säilytä vara-nestekaasua laitteen alla tai sen läheisyydessä.
2. Älä koskaan täytä säiliötä yli 80 prosenttia sen kapasiteetista.
3. Nestekaasusäiliössä on oltava ylitäytön estolaite.
4. Jos edellä mainittuja ohjeita ei noudateta tarkasti, se voi aiheuttaa tulipalon, joka voi johtaa kuolemaan tai vakavaan loukkaantumiseen.

TURVAOHJEET TAPATURMIEN VÄLTÄMISEKSI

Kun uuniasi huolletaan oikein, se palvelee turvallisesti ja luotettavasti vuosia. Äärimmäistä varovaisuutta on kuitenkin noudatettava, koska uuni tuottaa voimakasta lämpöä, joka voi lisätä onnettomuusriskiä.

Tätä uunia käytettäessä on noudatettava peruskäytäntöjä, mukaan lukien, mutta ei rajoittuen seuraaviin:

- Älä korjaa tai vaihda mitään uunin osaa, ellei sitä nimenomaan suositella tässä oppaassa. Kaikki muut huoltotyöt on tehtävä valtuutetun teknikon toimesta.
- Lapsia ei saa jättää yksin tai valvomatta alueelle, jossa uuni on käytössä. Älä anna lasten istua, seistä tai leikkiä uunin ympärillä milloinkaan.
- Älä koskaan anna vaatteiden tai muiden tulenarkojen esineiden tulla kosketuksiin tai liian lähelle poltinta tai kuumaa pintaa, kunnes se on jäähtynyt. Kangas voi syttyä palamaan ja aiheuttaa vakavia henkilövahinkoja.
- Käytä asianmukaista vaatetusta henkilökohtaisen turvallisuuden varmistamiseksi. Löysiä vaatteita ja hihoja on vältettävä uunia käytettäessä. Jotkut synteettiset kankaat ovat erittäin tulenarkoja eikä niitä tule käyttää ruokaa laittaessa.
- Älä lämmitä avoamatonta ruoka-astiaa, sillä lisääntynyt paine voi aiheuttaa astian räjähtämisen. Sytyttäessäsi poltinta, keskity aina siihen, mitä olet tekemässä.
- Kun käytät uunia, älä kosketa ulompaa osaa, paistokiveä tai laitteen lähistöä, sillä nämä alueet ovat erittäin kuumia ja voivat aiheuttaa palovammoja.
- Älä valmista uunissa erittäin rasvaista lihaa tai muita tuotteita, jotka voivat aiheuttaa leimahduksia.
- Pidä uunia ympäröivä alue vapaana palavista materiaaleista, kuten nesteistä, roskista ja höyryistä, kuten bensiini tai puuhiilen sytytysnesteet.
- Älä tuki kaasun palamisilman ja tuuletusilman virtaa.
- Älä koskaan käytä uunia erittäin tuulisissa olosuhteissa.
- Lämpötila uunin alla on korkea. Älä aseta oveniä pöydälle, jolla on syttyviä pöytäliinoja, muovia tai muita tulenarkoja materiaaleja.

OSALUETTELO

- Ooni Koda
- Paistokivi

KOKOAMINEN

Varmista ennen asennusta, että kaikki osat ovat mukana. Jos jokin osa puuttuu tai on vaurioitunut, älä yritä koota laitetta. Ota yhteyttä asiakaspalveluun saadaksesi varaosia.

KOKOAMISOHJEET

- Avaa jalat
- Aseta paistokivi
- Kaasuletkun liittäminen Ooni Kodaan Riippuen alueestasi, letku voi olla valmiiksi koottu.
- 3a. Kaasuletkun liittäminen suoraan Ooni Kodaan
- 3b i). Letkukaran liittäminen Ooni Kodaan
- 3b ii). Kaasuletkun liittäminen letkukaraan
- Tiukenna sopivilla jakoavaimilla
4. Kaasusäiliön liittäminen

VAROITUS

- Pidä kaasusäiliö aina pystyasennossa.
- 9 kg (20 lb) nestekaasusäiliön koko 31 cm (12,2") halkaisijaltaan ja 45 cm (17,9") korkea
- Jos laite ei ole käytössä, jakelusäiliön kaasu on kytkettävä pois päältä.
- Säiliössä on oltava suojarengas, joka suojaa venttiiliä.
- Minimietäisyys laitteeseen ja 9 kg (20 lb) kaasusäiliön välillä on 0.6 m (25").

PAINETTAVA KAASUSÄÄDIN

Tämä on painettava kaasuliitin. Varmista, että musta kytkin on vaaka-asennossa. Paina painiketta mustan kytkimen alla ja paina säädintä säiliön venttiiliin, kunnes se lukittuu paikalleen.

KIERRETTÄVÄ KAASUSÄÄDIN

Tämä kaasuliitin kiinnitetään vastapäivään. Varmista, että säiliö on kokonaan pois päältä ja kierrä säädin niin pitkälle kaasusäiliön venttiiliin kuin mahdollista.

NESTEKAASUSÄILIÖN LIITTÄMINEN

Liittääksesi nestekaasusäiliö:
Säiliön venttiiliin on oltava OFF-asennossa. Varmista, että säätönuppi on OFF-asennossa. Tarkista venttiiliiliitokset, -sovitus ja -säätimen kokoonpano. Poista roskat ja tarkista letku vaurioiden varalta. Liittäessä säädinkokoonpanoa venttiiliin, käytä kättäsi kiristääkseen mutteria myötapäivään, kunnes se pysähtyy. Jakoavaimen käyttö voi vahingoittaa pikaliitosmutteria ja aiheuttaa vaaratilanteen. Avaa säiliön venttiili kokonaan kääntämällä venttiiliä vastapäivään. Ennen uunin sytyttämistä, käytä saippuavettä tarkistaaksesi liitokset vuodoilta.

Jos vuoto löytyy, käännä säiliön venttiili OFF-asentoon, äläkä käytä uunia ennen kuin paikallinen nestekaasujakelija korjaa vuodon lähteen.

NESTEKAASUSÄILIÖN IRROTTAMINEN

Käännä uunin säätönuppi OFF-asentoon

Varmista, että säiliön venttiili on off/suljettu-asennossa. Irrota säädinkokoonpano säiliön venttiilistä kääntämällä pikaliitosmutteria vastapäivään. Aseta pölysuoja säiliön venttiiliin kun säiliö ei ole käytössä.

VUOTOTESTAUS

YLEISTÄ

Vaikka laitteen kaasuliitännät on vuototestattu ennen pakkaamista ja kuljetusta, täydellinen testi on suoritettava asennuspaikalla. Tarkista kaikki kaasuliitännät vuodon varalta ennen jokaista käyttöä, käyttäen alla olevaa menetelmää. Jos kaasun hajua havaitaan, sinun tulee välittömästi lopettaa laitteen käyttö ja tarkistaa koko järjestelmä vuotojen varalta.

ENNEN TESTAUSTA

Varmista, että kaikki pakkausmateriaalit on poistettu laitteesta. Valmista liuos, jossa on yksi osa nestemäistä pesuainetta ja yksi osa vettä. Tarvitset suihkupullon, harjan tai rätin levittääksesi liuoksen liitoksiin.

TESTI

1. Käännä säätönuppi OFF-asentoon
2. Käännä nestekaasusäiliön venttiili vastapäivään, jotta venttiili aukeaa.
3. Levitä saippualliuos kaikkiin kaasuliitoksiin. Saippuakuplat näyttävät, missä vuoto on.
4. Jos vuoto ilmenee, käännä kaasu heti OFF-asentoon ja kiristä vuotava liitos.
5. Käännä kaasu takaisin ON-asentoon ja tarkista uudelleen.
6. Jos kaasu vuotaa edelleen mistään liitoksesta, käännä kaasu OFF-asentoon ja ota yhteyttä asiakaspalveluun.

KÄYTTÖOHJEET

UUNIN KÄYTTÖ

Jokaisen polttimen nimellisteho on 4 kW. Aluksi:
Varmista, että uuni on vuototestattu ja oikein sijoitettu. Poista jäljellä oleva pakkausmateriaali.
Sytytä poltin alla olevien SYTYTYSOHJEIDEN mukaisesti

SYTYTYSOHJEET

POLTTIMEN SYTYTYS

Varmista, että säätönuppi on OFF-asennossa, ja kytke sitten nestekaasusäiliön venttiili ON-asentoon hitaasti kääntämällä vastapäivään. Paina ja käännä säädintä vastapäivään, kunnes kuulet napsahduksen ja poltin syttyy. Pidä säätönuppia painettuna 5 sekuntia. Jos poltin ei syty, käännä nuppi OFF-asentoon, odota 5 minuuttia ja yritä uudelleen.

TULITIKULLA SYTYTTÄMINEN

Jos poltin ei syty useista yrityksistä huolimatta säätönupilla, poltin voidaan sytyttää tulitikulla. Jos olet jo yrittänyt sytyttää polttimen käyttämällä säätönuppia, odota 5 minuuttia, jotta kaikki kaasu haihtuu. Aseta tulitikku pidikkeeseen, sytytä tikku ja aseta uunin luukusta

yltääksesi polttimeen. Paina ja käännä säätönuppia kohti HI-asentoa hitaasti. Polttimen tulisi syttyä välittömästi. Jos poltin ei syty muutaman sekunnin kuluessa, käännä nuppi OFF-asentoon ja odota 5 minuuttia ja yritä uudelleen.

HOITO JA HUOLTO

Säilytä Ooni Koda pois suorasta auringonvalosta ja sisätiloissa, jos mahdollista, kun varastoit sen pitkäksi aikaa. Ooni Koda ei saa olla alttiina ankarille sääolosuhteille, kuten lumelle, rankkasateelle ja voimakkaalle tuulelle. Odota, että Ooni Koda jäähtyy kokonaan ennen kuin siirrä sitä. Ooni Kodan ulkokuori voi haalistua ajan myötä ja käytössä. Tämä

VIANMÄÄRITYS

Ongelma	Mahdollinen syy	Ennaltaehkäisy/Ratkaisu
Poltin ei syty	<ol style="list-style-type: none">1. Ei kaasun virtausta2. Liitosmutteri ja säädin eivät ole täysin kytketty3. Tukos kaasuvirrassa4. Poltin ei irronnut venttiilistä5. Virheellinen kokoonpano	<ol style="list-style-type: none">1. Tarkista, onko kaasupullo tyhjä2. Käännä liitosmutteria noin puoleen tai kolme neljäsosaan, kunnes se pysähtyy. Kiristä vain käsin - älä käytä työkaluja3. Puhdista poltinputki4. Koita poltinta ja venttiiliä uudelleen5. Tarkista asennusohjeen vaiheet
Äkillinen lasku kaasun virtauksessa tai pieni liekki	<ol style="list-style-type: none">1. Kaasun loppuminen	<ol style="list-style-type: none">1. Tarkista nestekaasusäiliö2. Käännä säätönuppi off-asentoon ja odota 30 sekuntia. Sytytä uuni. Jos liekit ovat edelleen pienet, käännä säätönuppi ja nestekaasusäiliön venttiili off-asentoon. Irrota säädin. Kytke säädin uudelleen ja tee vuototesti. Käännä nestekaasuventtiili päälle, odota 30 sekuntia ja sytytä sitten uuni.
Liekit sammuvat	<ol style="list-style-type: none">1. Kova tai puuskittainen tuuli2. Alhainen kaasun määrä	<ol style="list-style-type: none">1. Käännä uunin etuosa pois tuulesta.2. Täytä nestekaasusäiliö uudelleen.3. Katso "Äkillinen lasku kaasuvirtauksessa" edellä
Leimahdus	<ol style="list-style-type: none">1. Kerääntynyt rasva2. Liian rasvainen liha3. Liian korkea kypsennyslämpötila4. Liikaa jauhoja ruoanlaittopinnalla	<ol style="list-style-type: none">1. Puhdista uuni2. Poista liika rasva lihasta ennen kypsennystä3. Säädä (alempi) lämpötila4. Harjaa jauhojen jäänteet ruoanlaittopinnalta.
Takatuli (tulipalo poltinputkessa, kova ääni polttimesta)	<ol style="list-style-type: none">1. Poltin ja/tai polttimen putket ovat tukossa2. Painehäviö sytytyksen aikana3. Uuni on suunnattu kovaan tuuleen	<ol style="list-style-type: none">1. Käännä kaasusäädin off-asentoon. Puhdista poltin ja/tai polttimen putket.2. Sammuta uuni, varmista, että säiliön venttiili on täysin auki (jos sovellettavissa) ja sytytä uudelleen.3. Anna uunin jäähtyä ja käännä sen etuosa tuulesta pois päin.

ei vaikuta sen suorituskykyyn.

PAISTOKIVI

1. ÄLÄ käytä kiveä avoimen liekin päällä.
2. Vältä kiven äärimmäisiä lämpötilan muutoksia. ÄLÄ aseta pakasteita kuumalle kivelle.
3. Kivi on hauras ja voi rikkoutua jos sitä kolhaistaan tai jos se putoaa.
4. Kivi on erittäin kuuma käytön aikana ja pysyy kuumana pitkään käytön jälkeen.
5. ÄLÄ viilennä kiveä vedellä, kun kivi on kuuma.
6. Jos puhdistat kiveä vedellä, kuivaa kivi ennen käyttöä. Tämä voidaan tehdä tavallisessa uunissa 60 °C asteessa (140 °F) 2 tuntia.

MANUEL D'UTILISATION DU FOUR À PIZZA À GAZ PROPANE

ATTENTION

⚠ ATTENTION

Pour réduire les risques d'incendie, de brûlure ou d'autres blessures, lisez attentivement et entièrement ce manuel de sécurité avant d'utiliser cet appareil.

⚠ ATTENTION

Avant le nettoyage, assurez-vous que l'alimentation en gaz est coupée, que le bouton de contrôle est en position éteinte et que le brûleur et le four ont refroidi.

⚠ ATTENTION

Ne laissez jamais cet appareil en fonctionnement sans surveillance. En cas d'incendie, éloignez-vous de l'appareil et appelez immédiatement les pompiers. N'essayez pas d'éteindre un feu d'huile ou de graisse avec de l'eau.

Le non-respect de ces instructions peut entraîner des risques d'incendie, d'explosion ou de brûlure pouvant causer des dommages matériels, des blessures corporelles ou la mort.

⚠ ATTENTION

Utiliser uniquement dans un endroit bien ventilé.

⚠ DANGER

Si vous sentez une odeur de gaz :

- Coupez l'alimentation en gaz de l'appareil
- Éteignez toute flamme nue
- Si l'odeur persiste, éloignez-vous de l'appareil et appelez immédiatement votre fournisseur de gaz ou les pompiers.

⚠ ATTENTION

- Maintenez le tuyau d'alimentation en gaz éloigné des surfaces chaudes.
- La consommation d'alcool, de médicaments sur ordonnance ou en vente libre peut nuire à l'aptitude à assembler correctement l'appareil ou à l'utiliser en toute sécurité.
- Maintenez toujours les enfants et les animaux domestiques à l'écart de l'appareil.
- Ne pas déplacer l'appareil pendant l'utilisation.
- Cet appareil n'est pas conçu pour servir de moyen de chauffage et ne doit jamais être utilisé comme tel.

⚠ ATTENTION

Les araignées et les insectes peuvent nicher à l'intérieur du brûleur de l'appareil et perturber la circulation du gaz. Inspectez le brûleur au moins une fois par an.

⚠ ATTENTION

Lorsque vous utilisez une allumette pour allumer l'appareil, assurez-vous d'utiliser le porte-allumettes inclus.

⚠ ATTENTION

Ne rangez pas cet appareil à l'intérieur, sauf si la bouteille de gaz est débranchée.

⚠ ATTENTION

N'entreposez pas de bouteille de gaz dans un bâtiment, un garage ou tout autre endroit fermé. Gardez-les toujours hors de portée des enfants.

⚠ ATTENTION

Cet appareil n'est pas destiné à être installé dans ou sur des véhicules récréatifs et/ou bateaux.

⚠ ATTENTION

Vérifiez l'étanchéité de tous les raccords d'alimentation en gaz avant chaque utilisation. N'utilisez pas l'appareil tant que tous les raccordements n'ont pas été vérifiés et que vous ne vous êtes pas assuré de l'absence de fuite.

⚠ ATTENTION

Ne fumez pas pendant le test d'étanchéité. Ne testez jamais l'étanchéité avec une flamme nue.

⚠ ATTENTION

Lorsque vous allumez l'appareil, tenez votre visage et vos mains aussi loin que possible de l'appareil.

⚠ ATTENTION

Le dégagement minimum entre les côtés de l'appareil et une construction combustible est de 609 mm (24 pouces).

Le dégagement minimum entre l'arrière de l'appareil et une construction combustible est de 914 mm (36 pouces).

⚠ ATTENTION

Cet appareil doit être éloigné des matériaux inflammables durant l'utilisation.

⚠ ATTENTION

Ne pas modifier l'appareil.

- Les pièces scellées par le fabricant ne doivent pas être manipulées par l'utilisateur
- Lorsque l'appareil est utilisé avec du gaz naturel, une bouteille de gaz doit être employée
- Taille de la bouteille de gaz naturel : diamètre max. - 350 mm, hauteur max. - 400 mm.
- L'appareil doit être installé avec une ventilation suffisante afin d'éviter la concentration excessive de substances nocives pour la santé dans la pièce où il est utilisé
- La distance minimale entre l'appareil et les murs adjacents est de 0,5 m
- Le tuyau flexible de l'appareil ne doit pas dépasser 1,5 m
- L'appareil doit être installé dans un local convenablement ventilé. L'alimentation permanente en air neuf est ainsi assurée et il ne se produit pas d'accumulation de gaz non brûlés
- Le tuyau d'alimentation en gaz ou le flexible doit être conforme aux exigences nationales en vigueur et doit être examiné périodiquement et remplacé si nécessaire.
- Le flexible doit être homologué selon la norme EN16436. Le détendeur doit être homologué selon la norme EN16129.
- Dans certains pays, il se peut que le flexible et le détendeur ne soient pas fournis avec l'appareil.
- Examinez et nettoyez soigneusement l'intérieur du four avant de l'allumer afin d'éviter l'émission de flammes dues aux restes d'huile accumulés lors de l'utilisation antérieure.
- Vérifiez que les sorties du brûleur n'ont pas été obstruées lors de l'utilisation antérieure.
- Les sorties du brûleur doivent être inspectées pour déceler toute obstruction et nettoyées régulièrement à l'aide d'une brosse métallique souple.
- Il est essentiel d'éviter l'obstruction et pour permettre une combustion adéquate

CONSOMMATION HORAIRE NOMINALE DE GAZ

ooni	Fabricant:	Ooni Limited, Unit 5, Bishopsgate Business Center, 189 West Main Street, Broxburn, Scotland, EH52 5LH			CE 0063-20 0063CT7478	FR
	Modèle:	Ooni Koda				
Catégorie	<input type="checkbox"/> I3+(28-30/37)		<input type="checkbox"/> I3B/P(30)	<input type="checkbox"/> I3B/P(37)	<input type="checkbox"/> I3B/P(50)	
Type de gaz	Butane	Propane	Butane. Propane ou ses mélanges.			
Pression de gaz	28-30 mbar	37 mbar	28-30 mbar	37 mbar	50 mbar	
Puissance calorifique totale (maximale)	4.0 kW					
Type d'appareil	A1					
Taille de l'injecteur/marquage	0.75mm/0.75	0.75mm/0.75	0.68mm/0.68	0.64mm/0.64		
Pays de destination	BE, CH, CZ, ES, FR, GB, IE, IT, LU, PT		DK, EE, FI, IS, IT, NL, NO, SE	PL	AT, CH, DE	
Cet appareil doit être installé conformément à la réglementation en vigueur et utilisé uniquement dans un endroit bien ventilé. Lire les instructions avant d'installer et d'utiliser cet appareil.						

AVANT D'ALLUMER

Inspectez le tuyau d'alimentation en gaz avant d'allumer le gaz. Si vous observez des coupures, traces d'usure ou d'abrasion, il doit être remplacé avant l'utilisation.

Vissez le détendeur sur la bouteille de gaz. Avant d'allumer l'appareil, inspectez les raccords du flexible et du détendeur et vérifiez l'absence de fuite avec une solution d'eau savonneuse.

Utilisez seulement le détendeur et le flexible de gaz fournis avec cet appareil.

AVERTISSEMENT BOUTEILLE DE GAZ PROPANE

1. N'entreposez pas la bouteille de gaz propane de rechange sous cet appareil ou à proximité.
2. Ne remplissez jamais la bouteille au-delà de 80% de sa capacité.
3. La bouteille de propane doit être équipée d'un DISPOSITIF DE PRÉVENTION DU TROP-PLEIN (DPTP).
4. Le non-respect de ces instructions peut entraîner des risques d'incendie pouvant causer la mort ou des blessures graves.

RÈGLES DE SÉCURITÉ POUR ÉVITER LES BLESSURES

Lorsqu'il est bien entretenu, votre four vous offre un service sûr et fiable. Cependant, vous devez faire preuve d'une extrême prudence, car le four produit une chaleur intense qui peut augmenter le risque d'accidents.

Lors de l'utilisation de ce four, les règles de sécurité de base doivent être suivies, y compris, mais sans s'y limiter :

- Ne réparez ou ne remplacez aucune pièce du four à moins que cela ne soit spécifiquement recommandé dans ce manuel. Tout autre intervention doit être confiée à un technicien qualifié.
- Ne laissez jamais les enfants seuls ou sans surveillance à proximité du four en fonctionnement. Ne laissez jamais les enfants s'asseoir sur le four, monter dessus ou jouer autour.
- Ne laissez jamais des vêtements ou autres matériaux inflammables à proximité ou en contact avec une surface chaude ou un brûleur avant qu'il ne refroidisse. Le tissu pourrait s'enflammer et causer des blessures graves.
- Pour votre sécurité personnelle, portez des vêtements appropriés. Ne portez jamais de vêtements ou de manches amples lorsque vous utilisez le four. Certains tissus synthétiques sont très inflammables et ne doivent pas être portés pendant que vous cuisinez.
- Ne chauffez pas des contenants alimentaires fermés, car une accumulation de pression pourrait les faire éclater. Lorsque vous allumez le brûleur, faites toujours très attention à ce que vous faites.
- Lors de l'utilisation du four, ne touchez pas la coque extérieure, la plaque de cuisson en pierre ni leurs abords immédiats, car ces zones deviennent extrêmement chaudes et pourraient causer des brûlures.
- N'utilisez pas le four pour cuire des viandes extrêmement grasses ou d'autres produits qui augmentent la combustion.
- Maintenez l'environnement du four exempt de matières combustibles, y compris les fluides, les déchets et les vapeurs tels que l'essence ou le liquide allume-feu.
- N'obtenez jamais la circulation d'air de combustion ni la ventilation.
- N'utilisez jamais le four dans des conditions trop venteuses.
- La température sous le four est élevée. Ne placez pas le four sur une table avec des nappes inflammables, du plastique ou tout autre matériau inflammable.

LISTE DES PIÈCES

1. Ooni Koda
2. Plaque de Cuisson en Pierre

ASSEMBLAGE

Avant le montage, assurez-vous que vous disposez de toutes les pièces. Si une pièce manque ou est endommagée, n'essayez pas d'assembler l'appareil. Contactez le service client pour obtenir des pièces de rechange.

INSTRUCTIONS DE MONTAGE

1. Dépliez les pieds
2. Insérez la plaque de cuisson en pierre
3. Raccordez le flexible de gaz à Ooni Koda
Selon votre pays, le flexible de gaz peut être pré-assemblé.
- 3a. Raccordement direct du flexible de gaz à Ooni Koda
3b i). Raccordement du raccord cannelé à Ooni Koda
3b ii). Raccordement du flexible de gaz au raccord cannelé
Serrez à l'aide des clés appropriées
4. Raccordez à la bouteille de gaz

ATTENTION

- Maintenez toujours la bouteille de gaz en position verticale.
- La taille de la bouteille de gaz propane de 9 kg est de 31cm de diamètre et de 45 cm de hauteur.
- Lorsque l'appareil n'est pas en fonctionnement, le gaz doit être coupé au niveau de la bouteille.
- La bouteille doit comporter un collier pour protéger la vanne de la bouteille.
- La distance minimale entre l'appareil et une bouteille de gaz de 9 kg est de 0.6 mètre.

DÉTENDEUR DE GAZ DE TYPE CLIPSABLE

Ce détendeur dispose d'un raccord enfichable. Assurez-vous que l'interrupteur noir est en position horizontale. Appuyez sur le bouton situé sous l'interrupteur noir et enfoncez le détendeur sur la vanne de la bouteille jusqu'à ce qu'il s'enclenche.

DÉTENDEUR DE GAZ POL

Le raccord de ce détendeur se fait dans le sens inverse des aiguilles d'une montre. Assurez-vous que la bouteille de gaz est complètement fermée et vissez le détendeur à fond dans la vanne de la bouteille.

RACCORDEMENT DE LA BOUTEILLE DE GAZ PROPANE

Pour raccorder la bouteille de gaz propane :
La vanne de la bouteille doit être en position fermée.
Assurez-vous que le bouton de contrôle est en position éteinte.
Inspectez les raccords de la vanne, l'orifice et l'assemblage du détendeur. Enlevez les éventuels débris et inspectez le flexible pour vous assurer qu'il n'est pas endommagé.
Lors du raccordement du détendeur à la vanne, serrez l'écrou à la main dans le sens des aiguilles d'une montre jusqu'à ce qu'il bute.
L'utilisation d'une clé peut endommager l'écrou de couplage et entraîner un risque d'accident.

Ouvrez complètement la vanne de la bouteille en tournant dans

le sens contraire des aiguilles d'une montre.
Avant d'allumer le four, utilisez de l'eau savonneuse pour vous assurer de l'absence de fuite à tous les raccords.
Si vous détectez une fuite, fermez la vanne de la bouteille et n'utilisez pas le four avant que votre revendeur de propane n'ait effectué les réparations nécessaires.

DÉCONNEXION DE LA BOUTEILLE DE GAZ PROPANE

Tournez le bouton de contrôle du four sur la position éteinte. Assurez-vous que la vanne de la bouteille est en position fermée. Détachez le détendeur de la vanne de la bouteille en tournant l'écrou de couplage dans le sens contraire des aiguilles d'une montre.

Lorsque la bouteille n'est pas utilisée, placez toujours le capuchon anti-poussière sur la vanne de sortie de la bouteille.

DÉTECTION DE FUITES

GÉNÉRALITÉS

Bien que les raccords de gaz de l'appareil fassent l'objet d'un test de détection de fuite avant l'emballage et l'expédition, un test complet doit être effectué sur le lieu d'installation.
Avant chaque utilisation, vérifiez l'étanchéité de tous les raccords de gaz à l'aide de la procédure décrite ci-dessous. Si une odeur de gaz est détectée à n'importe quel moment, vous devez immédiatement cesser l'utilisation et vérifier l'étanchéité de l'ensemble du système.

AVANT LE TEST

Assurez-vous que tout le matériel d'emballage a été retiré de l'appareil.
Préparez un mélange de détergent liquide et d'eau à parts égales. Vous aurez besoin d'un flacon pulvérisateur, d'un pinceau ou d'un chiffon pour appliquer la solution sur les raccords.

POUR RÉALISER LE TESTER

Tournez le bouton de contrôle du four sur la position éteinte. Ouvrez la vanne de la bouteille de propane en la tournant dans le sens inverse des aiguilles d'une montre.
Appliquez la solution d'eau savonneuse sur tous les raccords de gaz. En cas de fuite, des bulles de savon se forment.
Si vous détectez une fuite, coupez immédiatement l'alimentation en gaz et resserrez les raccords qui fuient.
Revoyez la vanne de gaz et vérifiez à nouveau.
Si le gaz continue de s'échapper de l'un des raccords, coupez l'alimentation en gaz et contactez le service à la clientèle.

MODE D'EMPLOI

UTILISATION DU FOUR

Chaque brûleur a une puissance nominale de 4 kW.
Pour commencer :
Assurez-vous que le four a fait l'objet d'un test de fuites et qu'il est correctement placé.
Retirez tout le matériel d'emballage.
Allumez le brûleur en suivant les INSTRUCTIONS D'ALLUMAGE ci-dessous.

INSTRUCTIONS D'ALLUMAGE

POUR ALLUMER LE BRÛLEUR

Assurez-vous que le bouton de contrôle du four est en position éteinte, puis ouvrez la vanne de la bouteille de propane en tournant lentement dans le sens contraire des aiguilles d'une montre.

Enfonchez et tournez lentement le bouton de contrôle du four dans le sens inverse des aiguilles d'une montre jusqu'à ce que vous entendiez un déclic et que le brûleur s'allume.

Maintenez le bouton de contrôle enfoncé pendant 5 secondes.

Si le brûleur ne s'allume pas, tournez le bouton sur la position éteinte, attendez 5 minutes et recommencez l'allumage.

POUR ALLUMER AVEC UNE ALLUMETTE

Si le brûleur ne s'allume pas après plusieurs essais à l'aide du bouton de contrôle, il peut être allumé avec une allumette.

Si vous avez déjà essayé d'allumer le brûleur à l'aide du bouton de contrôle, attendez 5 minutes que le gaz se dissipe.

Insérez une allumette dans le porte-allumette. Allumez l'allumette et insérez-la dans l'ouverture du four pour atteindre le brûleur.

Enfonchez et tournez lentement le bouton de contrôle sur HI : le brûleur doit s'allumer immédiatement.

Si le brûleur ne s'allume pas en quelques secondes, tournez le bouton de contrôle sur la position éteinte, attendez 5 minutes

et réessayez.

SOIN ET ENTRETIEN

Maintenez Ooni Koda à l'abri de la lumière directe du soleil et à l'intérieur dans la mesure du possible et pendant les périodes de stockage prolongées.

Ooni Koda ne doit pas être exposé aux intempéries telles que la neige, les fortes pluies et les vents violents.

Attendez que Ooni Koda refroidisse complètement avant de le déplacer.

La couleur de la coque extérieure de Ooni Koda peut s'altérer avec le temps et au fil de l'utilisation.

Cela n'affectera pas ses performances.

PLAQUE DE CUISSON EN PIERRE

1. Ne PAS utiliser la pierre sur une flamme nue.
2. Évitez les changements de température extrêmes de la pierre. NE PAS placer des aliments congelés sur une pierre chaude.
3. La pierre est fragile et peut se briser en cas de choc ou de chute.
4. La pierre est très chaude pendant l'utilisation et reste chaude longtemps après l'utilisation.
5. NE PAS refroidir la pierre avec de l'eau lorsqu'elle est chaude.
6. Après avoir nettoyé la pierre à l'eau, séchez-la avant de l'utiliser. Ceci peut être fait en la plaçant dans un four conventionnel à 60°C (140°F) pendant 2 heures.

RÉSOLUTION DE PROBLÈMES

Problème	Cause possible	Prévention / Solution
Le brûleur ne s'allume pas	<ol style="list-style-type: none">1. Pas d'arrivée de gaz2. L'écrou de couplage et le détendeur ne sont pas bien raccordés3. Le débit de gaz est obturé4. Le brûleur est déconnecté de la vanne5. Montage incorrect	<ol style="list-style-type: none">1. Vérifiez si la bouteille de propane est vide2. Tournez l'écrou de couplage d'environ un demi-tour à trois quarts de tour supplémentaires jusqu'à l'arrêt complet. Serrez à la main seulement - n'utilisez pas d'outils3. Nettoyez le tube du brûleur4. Reconnectez le brûleur et la vanne5. Vérifiez les étapes dans les instructions de montage
Chute soudaine du débit de gaz ou flamme faible	<ol style="list-style-type: none">1. Il n'y a plus de gaz	<ol style="list-style-type: none">1. Vérifiez s'il y a du gaz dans la bouteille de propane2. Fermez le bouton de contrôle du gaz, attendez 30 secondes et rallumez le four. Si les flammes sont encore faibles, fermez le bouton de contrôle du gaz et la vanne de la bouteille de propane. Débranchez le détendeur. Rebranchez le détendeur et effectuez un test d'étanchéité. Ouvrez la vanne de la bouteille de propane, attendez 30 secondes, puis allumez le four.
Les flammes s'éteignent	<ol style="list-style-type: none">1. Vent fort ou en rafales2. Faible niveau de propane	<ol style="list-style-type: none">1. Placez le four dos au vent2. Remplissez la bouteille de propane3. Voir « Chute soudaine du débit de gaz » ci-dessus
Flambée/Embraselement	<ol style="list-style-type: none">1. Accumulation de graisse2. Excès de graisse dans la viande3. Température de cuisson excessive4. Excès de farine sur la surface de cuisson	<ol style="list-style-type: none">1. Nettoyez le four2. Éliminez la graisse de la viande avant la cuisson3. Réglez (diminuez) la température en conséquence4. Époussetez les restes de farine de la surface de cuisson
Retour de flamme (feu dans le tube du brûleur, grondement du brûleur)	<ol style="list-style-type: none">1. Le brûleur et/ou les tubes du brûleur sont bouchés2. Chute de pression lors de l'allumage3. Le four est face au vent	<ol style="list-style-type: none">1. Fermez la vanne d'arrivée de gaz. Nettoyez le brûleur et/ou les tubes du brûleur.2. Éteignez le four, assurez-vous que la vanne de la bouteille est complètement ouverte (s'il y a lieu) et rallumez.3. Mettez le four dos au vent une fois qu'il a refroidi.

IS

NOTKUNARLEIÐBEININGAR FYRIR LP PIZZUGASOFN

VARÚÐ

⚠ VARÚÐ

Lestu þessar öryggisleiðbeiningar vandlega áður en þú notar ofninn til þess að lágmarka hættuna á bruna eða öðrum óhöppum.

⚠ VARÚÐ

Gangtu úr skugga um að slökkt sé á gasinu, að stjórnunarhnappurinn sé stilltur á OFF og að brennarinn hafi kælt sig áður en ofninn er þrífyrn.

⚠ VARÚÐ

Notaðu aldrei ofninn án eftirlits. Ef eldur kemur upp, haltu þig þá frá ofninum og hringdu umsvifalaust á slökkvilið. Reyndu ekki að slökka eld sem kemur upp vegna olíu eða feiti með vatni.

Ef þú ferð ekki eftir þessum tilmælum eykst hættan á eignarskemmdum, slysum eða dauða.

⚠ VARÚÐ

Aðeins nota í vel loftræstu umhverfi.

⚠ HÆTTA

Ef þú finnur lykt af gasi:

- Slökktu á gasinu
- Slökktu alla elda ef á við
- Ef lyktin hverfur ekki haltu þig þá fjarri ofninum og hringdu umsvifalaust á gasþriggi þinn eða á slökkvilið.

⚠ VARÚÐ

- a. Haltu eldsneytisslóngunni frá heitu yfirborði.
- b. Notkun áfengis, lyfseðilsskildra eða annara lyfja getur dregið úr hæfni notanda til þess að setja saman eða nota ofninn á öruggan máta.
- c. Haldið ávallt börnum og gæludýrum frá ofninum.
- d. Færið ekki ofnin til þegar hann er í notkun.
- e. Þessi ofn er ekki ætlaður sem hitari og ætti aldrei að vera notaður sem slíkur.

⚠ VARÚÐ

Slökktu á bensini við gashólkinn eftir notkun.

⚠ VARÚÐ

Þetta tæki verður að vera fjarri eldfimum efnum meðan á notkun stendur.

⚠ VARÚÐ

Ekki breyta tækinu

⚠ VARÚÐ

Köngulær og skordýr geta komist í brennarann og spillt gasflæðinu. Skoðuðu því brennarann a.m.k. einu sinni á ári.

⚠ VARÚÐ

Ef þú notar eldspýtu til þess að kveikja á ofninum, gangtu þá úr skugga um að nota eldspýtuhaldrann sem fylgir með.

⚠ VARÚÐ

Geymið ekki ofninn innandyra án þess að aftengja gaskútinn.

⚠ VARÚÐ

Geymið ekki gaskútinn inn í húsi, í bílskúr eða öðru lokuðu rými. Geymist ávallt þar sem börn ná ekki til.

⚠ VARÚÐ

Þessi ofn er ekki ætlaður til uppsetningar í eða á húsbílum og/ eða bátum.

⚠ VARÚÐ

Athugaðu allar gasfestingar fyrir notkun hverju sinni. Notaðu ekki ofninn fyrr en allar festingar hafa verið athugaðar og gengið hefur verið úr skugga um að enginn leki sé fyrir hendi.

⚠ VARÚÐ

Reyktu ekki á meðan þú athugar gasleka. Prófaðu aldrei gasleka þegar eldur er í gangi.

⚠ VARÚÐ

Haltu andliti og höndum eins fjarri ofninum og mögulegt er þegar þú kveikjir á honum.

⚠ VARÚÐ

Lágmarks fjarlægð frá hlið ofns til eldfims svæðis er 609 mm.

Lágmarks fjarlægð frá bakhlíð ofns til eldfims svæðis er 914 mm.

- Peir hlutar sem hafa verið innsiglaðir af framleiðanda ætti ekki að breyta af notanda
- Þegar tækið notar LPG skal nota LPG strokk
- Stærð LPG strokks: hámarksþvermál 350mm, hámarkshæð 400mm.
- Tækið skal sett upp með nægilegri loftræstingu til þess að koma í veg fyrir að of mikið magn efna sem eru skaðleg heilsu safnist saman í því rými þar sem tækið er notað.
- Lágmarksfjarlægð frá tæki að næsta vegg er 0,5m
- Slangan sem tengd er í tækið ætti ekki að vera lengri en 1,5m
- Tækið ætti að setja upp í vel loftræstu rými. Tryggja skal stöðugt innrennsli lofts og að óbrennt gas safnist ekki saman.
- Nota þarf gasleiðslu eða slöngu sem er leyfileg samkvæmt reglugerðum viðkomandi lands, einnig þarf að skoða og skipta út leiðslu eða slöngu með reglulegu millibili.
- Slangan ætti að vera í samræmi við EN16436 staðalinn. Þrýstingsstillirinn ætti að vera í samræmi við EN16129 staðalinn.
- Ekki er vist að þrýstingsstillir og slanga fylgi með tækinu í öllum löndum.
- Athugaðu og ef við á, hreinsaðu ofninn að innan áður en kveikt er á honum til þess að koma í veg fyrir eldsupptök vegna olíu sem safnast hefur saman við fyrri notkun.
- Athuga ætti úttak brennara til þess að ganga úr skugga um að engar hindranir séu þar frá fyrri notkun.
- Athuga ætti úttak brennara til þess að ganga úr skugga um að engar hindranir séu til staðar og hreinsa það með mjúkum virbursta.
- Það er nauðsynlegt að koma í veg fyrir hindranir og tryggja góðan bruna

VENJULEG GASNOTKUN Á KLST.

ooni	Framleiðandi: Ooni Limited, Unit 5, Bishopsgate Business Center, 189 West Main Street, Broxburn, Scotland, EH52 5LH		CE 0063-20 0063CT7478		IS
	Módel: Ooni Koda				
Flokkur	<input type="checkbox"/> I3+(28-30/37)	<input type="checkbox"/> I3B/P(30)	<input type="checkbox"/> I3B/P(37)	<input type="checkbox"/> I3B/P(50)	
Gastegund	Bútan	Própan	Bútan, própan eða blanda af báðum efnum		
Gasþrýstingur	28-30 mbar	37 mbar	28-30 mbar	37 mbar	50 mbar
Heildarhitainntak	4.0 kW				
Tegund tækis	A1				
Inndælingartæki/ stærðarmerking	0.75mm/0.75	0.75mm/0.75	0.68mm/0.68	0.64mm/0.64	
Lönd sem eru áfangastaðir	BE, CH, CZ, ES, FR, GB, IE, IT, LU, PT		PL	AT, CH, DE, SK	
Þetta tæki skal setja upp í samræmi við núverandi reglugerðir og skal aðeins nota í vel loftræstu umhverfi. Skoðið leiðbeiningar áður en tækið er sett upp og notað.					

ÁÐUR EN KVEIKT ER Á

Athugaðu gaslönguna áður en kveikt er á gasinu. Ef gat, slit eða núningur finnst, þarf að skipta um slöngu áður en ofninn er notaður. Skrufaðu þrýstingsstillinn á gaskútinn. Lekaprófaðu tengingarnar á slöngu og stilli með sápu og vatnslausn áður en kveikt er á ofninum.

Notið aðeins þrýstingsstillirinn og gaslönguna sem fylgir með þessum búnaði.

VIÐVÖRUN VEGNA LP GASKÚTA

1. Geymið ekki varagaskúta sem innihalda fljótandi própangas undir eða nálægt ofninum.
2. Fyllið aldrei kútinn meira en því sem nemur 80% af geymslurými hans.
3. Festa verður viðeigandi velti (e. OPD) á gaskúta með fljótandi própangasi.
4. Ef ekki er farið nákvæmlega eftir upplýsingum hér að ofan getur eldur brotist út sem getur valdið alvarlegum slysum eða dauða.

ÖRYGGISTILMÆLI TIL ÞESS AÐ KOMA Í VEG FYRIR SLYS

Ef rétt er farið að mun ofninn þinn bjóða upp á trygga og örugga þjónustu. Það þarf þó að gæta itrustu varúðar þar sem ofninn verður afar heitur en slíkt getur leitt til slysa.

Nokkra grundvallarþætti þarf að hafa í huga þegar ofninn er notaður, m.a. en þó ekki eingöngu eftirfarandi:

- Gerið ekki við eða skiptið út neinum hluta ofnsins nema sérstaklega sé til þess mælt í þessum leiðbeiningum. Hafid þess í stað samband við viðurkenndan viðgerðarmann.
- Ekki ætti að skilja börn eftir ein eða eftirlitslaus á svæði þar sem ofninn er notaður. Leyfið ekki börnum að sitja, standa eða leika sér á nálægt ofninum undir nokkrum kringumstæðum.
- Látið aldrei fót eða önnur eldfim efni komast í snertingu við eða of nálægt eldi eða heitu yfirborði fyrr en það hefur kólnað. Kviknað gæti í efninu sem gætið valdið alvarlegum áverkum.
- Vertu í viðeigandi fótum af öryggisástæðum. Aldrei ætti að ganga í lausum fótum eða fótum með afar langar ermar þegar ofninn er notaður. Sum geriefni eru afar eldfim og ætti ekki að ganga í þeim þegar ofninn er notaður.
- Hitíð ekki óopnuð matvællát í ofninum þar sem þrýstingur gæti valdið því að ilátin springa. Vertu alltaf vel meðvitaður/meðvitúð um hvað þú ert að gera þegar þú kveikjir á ofninum
- Snertu ekki yfirborð bökunarplötu eða nánast umhverfi ofnsins þegar hann er notaður þar sem þessi svæði verða afar heit og geta valdið brunasárum.
- Notaðu ekki ofninn til þess að elda afar fitumikið kjöt eða aðrar vörur sem auka eldhættu.
- Haltu eldfimum efnum s.s. vökvum, rusli, gufum og öðru efni t.d. eldsneyti eða kolum frá nánasta umhverfi ofnsins
- Tryggðu nægt loftrými fyrir ofninn.
- Notaðu aldrei ofninn þegar það er afar vindasamt.
- Hitinn undir ofninum er hár. Settu ofninn ekki á borð með eldfimum klæðum, plasti eða öðrum eldfimum efnum.

LISTI YFIR HLUTI

- Ooni Koda
- Steinbökunarplata

SAMSETNING

Gangtu úr skugga um að allir hlutar séu fyrir hendi fyrir samsetningu. Reyndu ekki að setja ofninn saman ef einhvern hluta vantar eða er skaddaður. Hafðu samband við þjónustuver til þess að fá viðkomandi hluta.

SAMSETNINGARLEIÐBEININGAR

- Breiddu út fæturnar
- Settu bökunarplötuna inn í ofninn
- Tengdu gasslónguna við Ooni Koda
- Í sumum löndum er gasslangan þegar tengd við Ooni Koda
- Tengdu gasslónguna beint í Ooni Koda
- 3a). Tengdu gastengið við Ooni Koda
- 3b I). Tengdu gastengið við Ooni Koda
- 3b II). Tengdu gasslónguna við gastengið
- Þéttu með viðeigandi skruflykli
- Tengdu við gaskútinn

⚠️ VARÚÐ

- Láttu kútinn alltaf standa uppréttann.
- Ummál 9 lítra gaskútar er 31 cm og hæðin er 45.5 cm.
- Skrúfa þarf fyrir gastkútinn þegar ofninn er ekki í notkun.
- Nota þarf kraga með gaskút í notkun til þess að verja ventílinn.
- Gaskúturinn þarf að vera í a.m.k. 0.6 m fjarlægð frá ofninum.

PATIO GASSTILLIR

Þessu er smellt ofan á opið á gaskútnum. Gangtu úr skugga um að svarti rofinn sé í lágréttri stöðu. Þrýstu á hnappinn fyrir neðan svarta rofann og þrýstu stillinum ofan á kútsrofann þangað til hann festist við kútinn.

POL GASSTILLIR

Þessi gasfesting er fest rangsælis. Gangtu úr skugga um að algerlega sé slökkt á kútnum og skrufaðu síðan stillirinn eins langt og hægt er.

TENGING VIÐ KASKÚT MEÐ FLJÓTANDI PRÓPANGASI

Að tengja við gaskút með fljótandi própangasi: Slökkt ætti að vera á gasinu. Gangtu úr skugga um að slökkt sé á stjórnrofanum. Athugaðu ventilstengingar, tengi og tengissamsetningar. Fjarlægðu óhreininði og athugaðu hvort skemmdir séu á slöngunni. Þegar tengissamsetningin er tengd við ventílinn skaltu þetta tengilinn með höndum rangsælis þangað til hann stoppar. Að nota skruflykil gæti skemmt tengið sem gæti verið hættulegt. Opnaðu fyrir gasið með því að snúa ventílnum rangsælis. Notaðu vatnslausn með sápu til þess að athuga allar tengingar og ganga úr skugga um að þær leki ekki áður en kveikt er á ofninum. Ef þú finnur leka, slökktu þá á gasinu og notaðu ekki ofninn fyrr en umboðsmaður própangaskútsins í þínu landi hefur gert við hann.

AÐ AFTENGJA GASKÚT MEÐ FLJÓTANDI PRÓPANGASI

Slökktu á gasinu með því að snúa stjórnrofanum á OFF Gangtu úr skugga um að fyllilega hafi verið lokað fyrir gasið með gasventílnum. Taktu tengissamsetninguna af gaskútnum með því að snúa festingunni rangsælis. Settu ryklok á gaskútinn þegar hann er ekki í notkun.

LEKAPRÓF

ALMENNT

Jafnvel þótt gastengingar ofnsins séu lekaprófaðar áður en þeim er pakkað þarf að gera gaslekaprófu áður en ofninn er notaður. Gerðu lekapróf á öllum gastengingum í hvert skipti sem þú ætlar að nota ofninn. Notaðu aðferðina sem sjá má hér að neðan til þess. Ef þú finnur lykt af gasi ættirðu samstundis að hætta notkun og skoða ofninn og allt sem tengt er í hann til þess að athuga hvort þú finnr leka.

ÁÐUR EN LEKAPRÓFAD ER

Gangtu úr skugga um að allar umbúðir hafi verið fjarlægðar. Blandaðu síðan saman þvottaefni og vatni. Þú munt þurfa að nota úðabréusa, bursta eða tusku til þess að bera efnið á viðkomandi festingar.

PRUFA

Settu stjórnhnappinn á OFF Snúðu ventílnum á fljótandi própangaskútnum rangsælis til þess að opna ventílinn. Settu vatn með sápu á allar festingar og mót, sápukúlur koma þar sem gas lekur. Ef leki finnst skaltu umsvifalaust slökkva á gasinu og þetta viðkomandi festingu. Kveiktu aftur á gasinu og prófaðu aftur. Ef gas lekur ennþá á einhverri festingu eða móti, skaltu umsvifalaust slökkva á gasinu og hafa samband við þjónustufulltrúa.

NOTKUNARLEIÐBEININGAR

AÐ NOTA OFNINN

Hver brennari er 4.0KW. Til að byrja: Gangtu úr skugga um að ofninn hafi verið lekaprófaður og staðsettur á eðlilegan máta. Fjarlægðu umbúðir ef einhverjar eru eftir. Kveiktu á brennararum með því að nota KVEIKILEIÐBEININGAR hér að neðan

KVEIKILEIÐBEININGAR

AÐ KVEIKJA Á BRENNARANUM

Gangtu úr skugga um að stjórnhnappurinn sé stillur á OFF, og snúðu síðan ventílnum á fljótandi própangaskútnum rölega rangsælis á ON. Íttu inn og snúðu stjórnhnappnum rangsælis þangað til að þú heyrir smell og það kviknar á brennararum. Haltu stjórnhnappinum í 5 sekúndur til viðbótar.

Ef ekki kveiknar á brennararum snúðu þá hnappnum á OFF, biðdu í 5 sekúndur og reyndu síðan að kveikja aftur.

AÐ KVEIKJA Á MEÐ ELDSPÍTU

Ef ekki tekst að kveikja á brennararum eftir nokkrar tilraunir með því að nota stjórnhnappinn er hægt að kveikja á honum með eldspitu. Ef þú hefur þegar reynt að kveikja á brennararum með stjórnhnappinum, skalt þú bíða í fimm mínútur til þess að gefa gasinu tíma til þess að eyðast. Settu eldspitu í eldspítuhaldarann, kveiktu á eldspitunni og settu inn í ofninn til þangað til þú nærð að brennararum. Íttu á stjórnhnappinn og snúðu á HI rölega, nú ætti að kveikna á ofninum samstundis. Ef ekki kveiknar á brennararum innan nokkurra sekúndna snúðu þá stjórnhnappi á OFF, biðdu í 5 mínútur og reyndu svo aftur.

BILANAGREINING

Vandamál	Möguleg orsök	Forvörn/Lausn
Ekki kviknar á brennara	<ol style="list-style-type: none">Ekkert gasflæði Skrúfstykki og stillir ekki fulltengd Eitthvað kemur í veg fyrir gasflæði Rof er á milli ventils og brennara Ofn ekki rétt settur saman	<ol style="list-style-type: none">Athugaðu hvort própnan gastankurinn sé tómur Snúðu skrúfstykkinu meira þangað til það stoppar. Þéttu einungis með handaflí, ekki nota verkfæri. Hreinsaðu brennirör Tengdu brennara við ventil. Farðu aftur yfir samsetningarleiðbeiningar
Skyndilegt fall í gasflæði eða litill eldur.	<ol style="list-style-type: none">Gasið er búið	<ol style="list-style-type: none">Athugaðu gasið í própangaskútnum. Settu gasstjórnhnappinn á OFF, biðdu í 30 sekúndur og kveiktu svo á ofninum. Ef eldurinn er ennþá lágur, slökktu þá á stjórnhnappnum og própangaskútsventílnum. Aftengdu stillirinn. Endurtengdu stillirinn og lekaprófaðu. Kveiktu á própangaskútsventlí, biðdu í 30 sekúndur og kveiktu svo á ofninum.
Eldurinn slökknar	<ol style="list-style-type: none">Mikill vindur Gasið er að klárast	<ol style="list-style-type: none">Placez le four dos au vent Remplissez la bouteille de propane Voir « Chute soudaine du débit de gaz » ci-dessus
Blossi	<ol style="list-style-type: none">Fita safnast saman Of mikil fita í kjöti Of mikil eldunarhiti Of mikið hveiti á bökunarplötunni	<ol style="list-style-type: none">Þrifðu ofninn skerðu fituna af kjötinu áður en þú eldar það Settu á lægra hitastig Þurstaðu hveiti af bökunarplötunni
Bruni (eldur í brennirörinu, undarlegt hljóð kemur frá brennara)	<ol style="list-style-type: none">Hindrun er í, eða stífla, í brennara eða brenniróri Þrýstingur dettur niður þegar kveikt er á Opið á ofninum er á móti vindi	<ol style="list-style-type: none">Stilltu stjórnhnappinn fyrir gasið á OFF. Þrifðu brennarann og/eða brennirörin. Slökktu á ofninum, gangtu úr skugga um að opið sé fyrir gasið (ef við á) og kveiktu aftur á ofninum. Snúðu frammhlið ofnsins burt frá mótvindi eftir að hann hefur kælt sig..

UMÖNNUN OG VIÐHAND

Geymdu Ooni Koda innandyra þar sem sólarljós nær ekki þegar hægt er ef geyma á ofninn til lengri tíma. Halda ætti Ooni Koda frá vondu veðri s.s. snjó, mikilli rigningu og miklum vindi. Biðdu þangað til Ooni Koda hefur fullkælt sig áður en þú færir ofninn til. Ytri skel Ooni Koda gæti fólnað með tímanum og með notkun. Þetta hefur ekki áhrif á notkunargildi ofnsins.

STEINBÖKUNARPLATA

- Notaðu ekki bökunarplötuna til þess að baka á logandi eldi.
- Varastu mikil hitaskipti í ofninum. Settu ekki frosinn mat á heita plötu.
- Steinplatan er brothætt og gæti brotnað ef hún rekst á eða er hent.
- Steinplatan er afar heit á meðan á notkun stendur og verður heit í langan tíma eftir notkun.
- Kælið EKKI steinplötuna með vatni þegar hún er heit.
- Eftir að steinplatan hefur verið kæld með vatni, þurrkaðu hana þá fyrir notkun. Hægt er að gera þetta í hefðbundnum ofni við 60°C í 2 klst.

AVVERTENZE

⚠ AVVERTENZE

Per ridurre il rischio di incendi, ustioni o altre lesioni si prega di leggere questo manuale con attenzione e nella sua interezza prima di utilizzare il prodotto.

⚠ AVVERTENZE

Prima di effettuare la pulizia verificare che il flusso di gas sia interrotto, che la manopola di controllo sia in posizione OFF e che il bruciatore ed il forno si siano raffreddati.

⚠ AVVERTENZE

Non lasciare il prodotto incustodito mentre è in funzione. Se si sviluppa un incendio allontanarsi e contattare immediatamente i vigili del fuoco. Non tentare di spegnere un fuoco alimentato da grasso o olio con acqua.

La mancata osservanza di queste istruzioni può comportare incendi, esplosioni o rischio di bruciature con danni a cose e persone e provocare lesioni gravi fino al decesso.

⚠ AVVERTENZE

Utilizzare esclusivamente in aree ben ventilate.

⚠ PERICOLO

Se si avverte odore di gas:

- Chiudere il flusso del gas.
- Estinguere le fiamme.
- Se l'odore persiste allontanarsi dal prodotto e contattare immediatamente il proprio fornitore di gas o i vigili del fuoco.

⚠ AVVERTENZE

- Mantenere il tubo di alimentazione del combustibile a debita distanza da superfici calde.
- L'utilizzo di alcool e farmaci di qualunque tipo può influenzare negativamente le capacità, da parte dell'operatore, di utilizzare ed assemblare correttamente il prodotto.
- Mantenere sempre bambini ed animali domestici a debita distanza dal prodotto.
- Non muovere il prodotto mentre è in uso.
- Questo dispositivo non è stato progettato per funzionare come una stufa e non deve essere utilizzato a tale scopo.

⚠ AVVERTENZE

Spegner l'alimentazione del gas nella bombola del gas dopo l'uso.

⚠ AVVERTENZE

Questo apparecchio deve essere tenuto lontano da materiali infiammabili durante l'uso.

⚠ AVVERTENZE

Insetti e ragni possono annidarsi all'interno del bruciatore ed interrompere od ostacolare il flusso del gas. Effettuare un'ispezione accurata del prodotto almeno una volta ogni anno.

⚠ AVVERTENZE

Quando si utilizza un fiammifero per accendere il forno utilizzare sempre il portafiammifero incluso.

⚠ AVVERTENZE

Non riporre il dispositivo in ambienti chiusi a meno che la bombola del gas non sia scollegata.

⚠ AVVERTENZE

Non riporre e conservare la bombola del gas all'interno di edifici, garage o ambienti chiusi e mantenerla sempre fuori dalla portata dei bambini.

⚠ AVVERTENZE

Questo prodotto non è stato progettato per essere utilizzato all'interno di roulotte e camper e/o imbarcazioni.

⚠ AVVERTENZE

Prima di ogni utilizzo verificare che non vi siano perdite dai raccordi e dalle chiusure. Non utilizzare il prodotto se tutti i raccordi non sono stati prima ispezionati e non usare in caso di perdite.

⚠ AVVERTENZE

Non fumare durante l'ispezione per il rilevamento di perdite. Non verificare la presenza di perdite utilizzando fiamme libere.

⚠ AVVERTENZE

Quando si effettua l'accensione mantenere il viso il più possibile distante dal dispositivo.

⚠ AVVERTENZE

Eventuali materiali combustibili devono essere ad una distanza di almeno 609 mm (24 pollici) dai lati del dispositivo.

Eventuali materiali combustibili devono essere ad una distanza di almeno 914mm (36 pollici) dalla parte posteriore del dispositivo.

⚠ AVVERTENZE

Non modificare l'apparecchio

- Le componenti sigillate dal produttore non devono essere modificate o regolate
- Quando il dispositivo utilizza GPL deve essere utilizzata una bombola di gas GPL
- Dimensioni della bombola GPL: diametro massimo 350 mm - altezza massima 400 mm.
- Il dispositivo deve essere installato in un ambiente dotato di adeguata ventilazione per evitare l'accumulo di sostanze nocive nell'ambiente di installazione
- La distanza minima tra il dispositivo e le pareti circostanti è pari a 0,5 m
- Il tubo utilizzato per il dispositivo deve avere una lunghezza massima di 1,5 m
- Il dispositivo deve essere installato in un ambiente dotato di adeguata ventilazione. Verificare che vi sia un afflusso sufficiente di aria fresca e che non si verifichino accumuli dei gas di scarico
- Le tubazioni che erogano il gas, e il tubo di erogazione, devono rispettare i regolamenti locali in vigore e devono essere periodicamente ispezionati e sostituiti se necessario.
- Il tubo deve rispettare la normativa EN16436. Il regolatore deve rispettare la normativa EN16129.
- In alcune aree geografiche il dispositivo viene fornito senza la presenza del tubo e del regolatore.
- Controllare l'interno del forno e pulirlo se necessario prima di accenderlo, al fine di evitare l'emissione di fiamme dovute agli oli accumulati durante le precedenti cotture.
- Controllare che gli ugelli del bruciatore non presentino ostruzioni causate dalle precedenti cotture.
- Controllare che gli ugelli del bruciatore non presentino ostruzioni e pulirli regolarmente con una spazzola a setole morbide.
- Per una buona combustione è necessario che non siano presenti ostruzioni

CONSUMO ORARIO NOMINALE DI GAS

ooni	Produttore: Ooni Limited, Unit 5, Bishopgate Business Center, 189 West Main Street, Broxburn, Scotland, EH52 5LH		CE 0063-20 0063CT7478		IT
	Modello: Ooni Koda				
Categoria	<input type="checkbox"/> I3+(28-30/37)		<input type="checkbox"/> I3B/P(30)	<input type="checkbox"/> I3B/P(37)	<input type="checkbox"/> I3B/P(50)
Tipo di gas	Butano	Propano	Butano, propano o una miscela dei due		
Pressione del gas	28-30 mbar	37 mbar	28-30 mbar	37 mbar	50 mbar
Calore fornito totale	4.0 kW				
Tipo di apparecchio	A1				
Indicazione iniettore/dimensione	0.75mm/0.75	0.75mm/0.75	0.68mm/0.68	0.64mm/0.64	
Paesi di destinazione	BE, CH, CZ, ES, FR, GB, IE, IT, LU, PT		DK, EE, FI, IS, IT, NL, NO, SE	PL	AT, CH, DE
Questo dispositivo deve essere installato in conformità ai regolamenti vigenti ed usato esclusivamente in aree ben ventilate. Prima di installare e utilizzare il prodotto consultare il manuale di istruzioni.					

PRIMA DELL'ACCENSIONE

Ispezionare il tubo di erogazione del gas prima di aprire il flusso del gas stesso. Se sono presenti tagli, lacerazioni o segni di usura sostituirlo prima di iniziare ad utilizzare il prodotto.

Avvitare il regolatore sulla bombola del gas. Prima di accendere il prodotto verificare l'eventuale presenza di perdite dal tubo e dai raccordi utilizzando una soluzione di acqua saponata.

Utilizzare esclusivamente il tubo di erogazione ed il regolatore forniti in dotazione.

⚠ AVVERTENZE RELATIVE ALLA BOMBOLA DEL GAS A GPLG

1. Non conservare bombole di gas propano liquido di scorta al di sotto o nelle vicinanze di questo dispositivo.
2. Non riempire le bombole al di sopra dell'80% della loro capacità massima.
3. Le bombole di gas propano liquido devono essere dotate di un DISPOSITIVO DI PROTEZIONE CONTRO IL SOVRAPPieno.
4. Se le disposizioni sopra indicate non vengono rispettate possono verificarsi rischi di incendio con conseguenti lesioni gravi fino al decesso.

PRECAUZIONI DI SICUREZZA PER EVITARE LESIONI

Se ci si attiene alle norme di utilizzo e si effettua una corretta manutenzione, questo prodotto è sicuro ed affidabile. Tuttavia va prestata la massima attenzione nel suo utilizzo in quanto il forno produce un calore intenso, potenzialmente pericoloso.

Durante l'uso, oltre alle normali precauzioni di utilizzo occorre rispettare le seguenti precauzioni aggiuntive:

- Non sostituire o riparare alcuna componente a meno che ciò non sia espressamente indicato in questo manuale. Tutte le altre operazioni di riparazione o manutenzione devono essere effettuate esclusivamente da un tecnico qualificato.
- Non lasciare i bambini da soli o non supervisionati nella zona in cui il forno viene utilizzato. Non permettere ai bambini, in alcuna circostanza, di giocare attorno al forno o di stazionare vicino ad esso.
- Evitare che indumenti ed altri materiali infiammabili entrino in contatto, o si avvicinino troppo, a bruciatori o a superfici ad elevata temperatura. Il tessuto potrebbe incendiarsi con conseguente rischio di lesioni gravi.
- Per la propria sicurezza indossare indumenti adatti. Quando si utilizza il forno non devono essere indossati abiti troppo larghi o con maniche ampie. Alcuni tessuti sintetici sono particolarmente infiammabili e non devono essere utilizzati quando si cucina.
- Non riscaldare contenitori di cibo chiusi in quanto l'accumulo di pressione all'interno può causare un'esplosione. Quando si accende il bruciatore prestare sempre la massima attenzione.
- Quando si utilizza il forno non toccare l'involucro esterno, il piano di cottura in pietra e le aree limitrofe: queste zone possono diventare estremamente calde e causare ustioni.
- Non usare il forno per cucinare carni estremamente ricche di grasso o altri cibi simili, in quanto possono causare lo sviluppo di fiamme particolarmente alte.
- Mantenere l'area circostante il forno sgombra da materiali combustibili, inclusi rifiuti, liquidi e vapori come benzina o liquidi per accensione della carbonella.
- Non ostruire il flusso di combustione e le prese di ventilazione.
- Non utilizzare il forno in caso di vento forte.
- La zona al di sotto del forno raggiunge temperature molto elevate. Non posizionare la griglia su un tavolo dove è presente una tovaglia di materiale infiammabile, plastica o materiali simili.

ELENCO DELLE PARTI

1. Ooni Koda
2. Piano di cottura in pietra

ASSEMBLAGGIO

Prima di procedere all'assemblaggio verificare che tutte le parti siano effettivamente presenti. Se si rilevano componenti difettose o mancanti non procedere ad assemblare il prodotto. Contattare il servizio clienti per la sostituzione.

ISTRUZIONI DI ASSEMBLAGGIO

1. Aprire le gambe
 2. Inserire il piano di cottura in pietra
 3. Collegare il tubo di erogazione del gas al dispositivo Ooni Koda
In alcune zone geografiche il prodotto viene fornito con il tubo già preinstallato.
 - 3a Collegare il tubo di erogazione del gas direttamente al dispositivo Ooni Koda
 - 3b i). Collegare l'attacco al dispositivo Ooni Koda
 - 3b ii). Collegare il tubo di erogazione del gas all'attacco
- Serrare con una chiave adatta.
4. Collegamento alla bombola del gas

AVVERTENZE

- Mantenere sempre la bombola del gas in posizione verticale.
- Le bombole del gas GPL da 20 libbre (9 kg) hanno un diametro di 12.2 pollici (31 cm) ed un'altezza di 17.9 pollici (45.5 cm)
- Quando il dispositivo non è in uso occorre chiudere il flusso del gas dalla bombola di erogazione.
- La bombola deve includere un colletto a protezione della valvola.

COME SCOLLEGARE LA BOMBOLA DI GAS PROPANO LIQUIDO

Chiudere la manopola di controllo del gas.
Verificare che la valvola della bombola sia in posizione off/chiusa.
Staccare il blocco regolatore dalla bombola ruotando il raccordo ad attacco rapido in senso antiorario.
Posizionare un tappo di protezione dalla polvere sull'attacco della valvola quando la bombola non viene utilizzata.

TEST PER LA VERIFICA DI EVENTUALI PERDITE

INFORMAZIONI GENERALI

Anche se tutti i collegamenti del gas sono testati prima di imballare e spedire il prodotto deve essere sempre effettuato un test per la verifica di eventuali perdite prima del suo utilizzo.
Prima di usare il forno verificare che non vi siano perdite di gas utilizzando la procedura descritta di seguito. Se, in qualsiasi momento, si avverte odore di gas si deve interrompere immediatamente l'utilizzo del prodotto e verificare che non ci siano perdite.

PRIMA DI EFFETTUARE IL TEST

Accertarsi che tutti i materiali di imballaggio siano stati rimossi.
Preparare una soluzione composta da acqua e detergente liquido in parti uguali. Per applicare la soluzione agli attacchi e ai raccordi occorre utilizzare un flacone spray, una spazzola o un panno.

PER EFFETTUARE IL TEST

Posizionare la manopola di controllo del gas in posizione OFF.
Ruotare la valvola della bombola di gas propano liquido in senso antiorario per aprire la valvola stessa.
Applicare la soluzione a tutti gli attacchi e i raccordi. Se c'è una perdita si formano delle bolle di sapone.
In questo caso interrompere immediatamente il flusso del gas e serrare gli attacchi dove è presente la perdita.
Aprire nuovamente il flusso di gas e controllare di nuovo.
Se le perdite di gas sono ancora presenti interrompere definitivamente il flusso di gas e contattare il servizio clienti.

ISTRUZIONI OPERATIVE

UTILIZZO DEL FORNO

Ogni bruciatore ha una potenza nominale di 4.0KW.
Prima di iniziare:
Accertarsi che sia stato effettuato il test di perdite e che il forno sia posizionato correttamente.
Rimuovere qualsiasi materiale di imballaggio residuo
Accendere il bruciatore in accordo alle ISTRUZIONI DI ACCENSIONE riportate qui di seguito

ISTRUZIONI DI ACCENSIONE

ACCENSIONE DEL BRUCIATORE

Verificare che la manopola di controllo sia in posizione OFF ed aprire la valvola della bombola di propano liquido ruotandola lentamente in senso antiorario.
Premere e ruotare lentamente la manopola di controllo in senso antiorario fino a quando non si avverte uno scatto e il bruciatore si accende.
Continuare a tenere premuta la manopola di controllo per 5 secondi.
Se il bruciatore non si accende girare la manopola di controllo in posizione OFF, attendere 5 minuti e ripetere la procedura.

ACCENSIONE CON UN FIAMMIFERO

Se il bruciatore continua a non accendersi utilizzando la manopola di controllo, anche dopo aver provato più volte, potrebbe essere necessario accenderlo con un fiammifero. Se si è già provato ad accendere il bruciatore utilizzando la manopola di controllo attendere 5 minuti per far dissipare il gas. Inserire un fiammifero nel portafiammifero, accenderlo ed inserirlo nell'apertura del forno fino a raggiungere il bruciatore. Premere e ruotare lentamente la manopola fino a raggiungere la posizione HI, il bruciatore dovrebbe accendersi immediatamente. Se dopo pochi secondi il bruciatore non è ancora acceso ruotare la manopola di controllo in posizione OFF, attendere 5 minuti e riprovare.

CURA E MANUTENZIONE

Quando non viene utilizzato per lunghi periodi riporre il prodotto Ooni Koda in un luogo non esposto alla luce solare diretta e preferibilmente al chiuso. Il forno Ooni Koda non deve essere esposto a condizioni climatiche estreme come neve, pioggia battente e vento forte.
Muovere il forno solo dopo che si è completamente raffreddato. L'involucro esterno del forno Ooni Koda può, nel tempo, essere soggetto a decolorazione e presentare normali segni di usura. Ciò non ha alcun effetto sulle prestazioni del prodotto.

PIANO DI COTTURA IN PIETRA

1. NON posizionare il piano di cottura in pietra direttamente al di sopra delle fiamme.
2. Evitare che il piano di cottura in pietra vada incontro a bruschi cambiamenti di temperatura. NON poggiate alimenti congelati sulla pietra calda.
3. La pietra è fragile e potrebbe rompersi se colpita con forza o lasciata cadere.
4. La pietra diventa estremamente calda durante l'utilizzo e si mantiene calda per lungo tempo anche dopo che l'uso è terminato.
5. NON versare acqua sulla pietra, quando è ancora calda, per raffreddarla.
6. Dopo averla pulita con acqua, asciugarla prima di utilizzarla nuovamente. Ciò può essere fatto inserendola in un forno tradizionale per 2 ore alla temperatura di 60°C (140°F).

Problema	Possibile causa	Prevenzione/Risoluzione
Il bruciatore non si accende	<ol style="list-style-type: none"> 1. Non c'è flusso del gas 2. Il dado di raccordo ed il regolatore non sono collegati correttamente 3. Il flusso del gas è ostruito 4. Il bruciatore è scollegato dalla valvola 5. Assemblaggio non corretto 	<ol style="list-style-type: none"> 1. Verificare che la bombola del gas non sia vuota 2. Stringere ulteriormente il dado di raccordo da mezzo a tre quarti di giro completo finché è stretto saldamente senza muoversi. Stringere esclusivamente a mano. Non utilizzare attrezzi 3. Pulire il tubo del bruciatore 4. Ricollegare il bruciatore alla valvola 5. Seguire i passi elencati nelle istruzioni di assemblaggio
Calo improvviso nel flusso di gas o riduzione della fiamma	<ol style="list-style-type: none"> 1. Gas esaurito 	<ol style="list-style-type: none"> 1. Verificare che vi sia ancora gas propano nella bombola 2. Chiudere la manopola di erogazione del gas, attendere 30 secondi ed accendere il forno. Se le fiamme sono ancora basse chiudere la manopola di controllo del gas e la valvola della bombola di gas propano. Scollegare il regolatore. Ricollegare il regolatore ed effettuare il test per la verifica di eventuali perdite. Aprire la manopola di erogazione del gas, attendere 30 secondi ed accendere il forno.
Le fiamme si spengono	<ol style="list-style-type: none"> 1. Presenza di vento forte o a raffiche 2. Gas propano quasi esaurito 	<ol style="list-style-type: none"> 1. Ruotare la parte anteriore del forno in modo che sia al riparo dal vento 2. Riempire la bombola di gas propano 3. Fare riferimento alla sezione "Calo improvviso del flusso del gas riportata in precedenza"
Si verificano fiammate	<ol style="list-style-type: none"> 1. Accumulo di grasso 2. Eccessiva quantità di grasso nella carne 3. Temperatura di cottura troppo elevata 4. Quantità eccessiva di farina sul piano di cottura 	<ol style="list-style-type: none"> 1. Pulire il forno 2. Eliminare il grasso delle carne prima della cottura 3. Regolare (diminuire) la temperatura 4. Togliere con una spazzola parte della farina dal piano di cottura
Ritorno di fiamma (fiamme nel tubo del bruciatore, si avverte rumore di fuoco nel bruciatore)	<ol style="list-style-type: none"> 1. Il bruciatore e/o i tubi del bruciatore sono ostruiti 2. Diminuzione della pressione durante la fase di accensione 3. Il forno è esposto al vento 	<ol style="list-style-type: none"> 1. Chiudere la manopola di controllo del gas. Pulire il bruciatore e/o i tubi del bruciatore 2. Spegner il forno, verificare che la valvola della bombola sia completamente aperta (dove applicabile) e riaccendere. 3. Ruotare il forno, una volta raffreddato, in una direzione in cui non è esposto al vento.

WAARSCHUWING

⚠ WAARSCHUWING

Om het risico op brand, verbrandingsgevaar of ander letsel te verminderen, lees deze veiligheidshandleiding zorgvuldig en helemaal voordat u het apparaat gebruikt.

⚠ WAARSCHUWING

Zorg ervoor dat voordat u gaat schoonmaken het gas en de bedieningsknop UIT staan en dat de brander en oven afgekoeld zijn.

⚠ WAARSCHUWING

Laat dit apparaat nooit onbeheerd als u het gebruikt. In het geval er brand uitbreekt blijf dan uit de buurt van het apparaat en bel direct de brandweer. Probeer een olie- of vetbrand niet uit te doven met water.

Als u deze instructie niet opvolgt dan kan dit leiden tot brand, explosie of verbrandingsgevaar met schade aan eigendommen, persoonlijk letsel of de dood tot gevolg.

⚠ WAARSCHUWING

Gebruik op een goed geventileerde locatie gebruikt worden.

⚠ GEVAAR

- Als u gas ruikt:
- Sluit de gastoevoer naar het apparaat af
 - Doof elk open vuur
 - Als de reuk blijft, blijf uit de buurt van het apparaat en bel onmiddellijk u gasleverancier of de brandweer.

⚠ WAARSCHUWING

- Hou de brandstoftoevoerslang uit de buurt van alle hete oppervlakken.
- Het gebruik van alcohol, voorgeschreven of niet-voorgeschreven medicijnen kan het vermogen van de gebruiker om het apparaat op de juiste wijze te monteren of veilig te bedienen verminderen.
- Hou kinderen en huisdieren te allen tijde uit de buurt van het apparaat.
- Verplaats het apparaat niet als het in gebruik is.
- Dit apparaat is niet bedoeld voor en mag nooit worden gebruikt als verwarming.

⚠ WAARSCHUWING

Schakel na gebruik de gastoevoer bij de gasfles uit.

⚠ WAARSCHUWING

Dit toestel gedurende gebruik verwijdert houden van ontvlambare materialen.

⚠ WAARSCHUWING

Spinnen en insecten kunnen zich nestelen in de brander van het apparaat en de gastoevoer verstoren. Inspecteer de brander minstens één keer per jaar.

⚠ WAARSCHUWING

Als u een lucifer gebruikt om het apparaat aan te steken, zorg er dan voor dat u de meegeleverde luciferhouder gebruikt.

⚠ WAARSCHUWING

Bewaar dit apparaat niet binnenshuis tenzij de gasfles is losgekoppeld.

⚠ WAARSCHUWING

Bewaar de gasfles niet in een gebouw, garage of een andere afgesloten ruimte en hou ze te allen tijde buiten het bereik van kinderen.

⚠ WAARSCHUWING

Dit apparaat is niet bedoeld om te worden geïnstalleerd in of op recreatieve voertuigen en/of boten.

⚠ WAARSCHUWING

Controleer alle gasaansluitingen vóór elk gebruik op lekken. Gebruik het apparaat niet voordat alle verbindingen zijn gecontroleerd en niet lekken.

⚠ WAARSCHUWING

Rook niet tijdens testen op lekken. Test niet op lekken bij open vuur.

⚠ WAARSCHUWING

Hou bij het aansteken uw gezicht en handen zo ver mogelijk bij het apparaat vandaan.

⚠ WAARSCHUWING

De minimale vrije ruimte vanaf de zijkanen van de unit tot een brandbare constructie is 609 mm (24 inch).

De minimale vrije ruimte vanaf de achterkant van de unit tot een brandbare constructie is 914 mm (36 inch).

⚠ WAARSCHUWING

Toestel niet aanpassen of modificeren.

- De onderdelen die door de fabrikant verzegeld zijn mogen door de gebruiker niet aangepast worden.
- Als het toestel LPG gebruikt dan moet een LPG-gasfles gebruikt worden
- Afmeting van de LPG-gasfles: max diameter – 350 mm, max hoogte – 400 mm
- Het toestel moet geïnstalleerd worden met voldoende ventilatie om te voorkomen dat er onacceptabele concentraties van schadelijke stoffen voor de gezondheid in de ruimte waar het toestel geïnstalleerd is ontstaan
- De minimale afstand tussen het toestel en aangrenzende muren is 0,5 m
- De slang van het toestel mag niet langer dan 1,5 m zijn
- Het toestel moet geïnstalleerd worden in een naar behoren geventileerde ruimte.
- Permanente toevoer van frisse lucht is verzekerd en er is geen accumulatie van onverbrande gassen
- De gasaanvoerbus of -slang moet voldoen aan de nationale voorschriften die van kracht zijn en moet periodiek gecontroleerd en indien nodig vervangen worden.
- De slang moet voldoen aan de EN 16436 standaard. De regelaar moet voldoen aan de EN 16129 standaard.
- De slang en regelaareenheid kan in sommige regio's niet bij het toestel inbegrepen zijn.
- Controleer en reinig de binnenkant van de oven goed voordat deze wordt aangestoken om de uitstoot van vuur door de opeenhoping van oliën door voorgaand bakken te voorkomen.
- De branderuitgangen moeten gecontroleerd worden op blokkeringen door voorgaand bakken.
- De branderuitgangen moeten gecontroleerd worden op blokkeringen en regelmatig gereinigd worden met een zachte staalborstel.
- Het is noodzakelijk om blokkeringen te voorkomen en een goede verbranding mogelijk te maken

NOMINALE GASVERBRUIK PER UUR

ooni	Fabrikant:	Ooni Limited, Unit 5, Bishopsgate Business Center, 189 West Main Street, Broxburn, Scotland, EH52 5LH				CE 0063-20 0063CT7478	NL
	Model:	Ooni Koda					
Categorie	<input type="checkbox"/> I3+(28-30/37)		<input type="checkbox"/> I3B/P(30)	<input type="checkbox"/> I3B/P(37)	<input type="checkbox"/> I3B/P(50)		
Type gas	Butaan	Propana	Butaan, propana of hun mengsel				
Gas druk	28-30 mbar	37 mbar	28-30 mbar	37 mbar	50 mbar		
Totale warmte-invoer	4.0 kW						
Toestel type	A1						
Injector/grootte markering	0.75mm/0.75		0.75mm/0.75	0.68mm/0.68	0.64mm/0.64		
Landen van bestemming	BE, CH, CZ, ES, FR, GB, IE, IT, LU, PT		DK, EE, FI, IS, IT, NL, NO, SE	PL	AT, CH, DE, SK		
Dit toestel moet geïnstalleerd worden in overeenstemming met de nu geldende voorschriften en mag alleen op een goed geventileerde locatie gebruikt worden. Raadpleeg de instructies voor installatie en gebruik van dit toestel.							

VOOR HET AANSTEKEN

Inspecteer de gastoevoerslang voordat u het gas inschakelt. Als er sporen van insnijdingen, slijtage of veroudering zijn dan moet deze vóór gebruik worden vervangen.
Schroef de regelaar op de gasfles. Controleer de aansluitingen van de slang en regelaar met een oplossing van zeep en water op lekkages voordat u het apparaat aansteekt.

Alleen de drukregelaar en de gas slang die bij dit apparaat zijn geleverd, moeten worden gebruikt.

LPG GASFLES WAARSCHUWING

1. Bewaar geen reserve gasfles met vloeibaar propaangas onder of in de buurt van dit apparaat.
2. Vul de fles maximaal tot 80% van de capaciteit.
3. De gasfles met vloeibaar propaan moet zijn uitgerust met een OVERVULBEVEILIGING.
4. Als de bovenstaande voorschriften niet precies worden opgevolgd kan er brand ontstaan met de dood of ernstig letsel tot gevolg.

VEILIGHEIDSPROCEDURES OM LETSEL TE VOORKOMEN

Als uw oven goed wordt verzorgd, werkt deze veilig en betrouwbaar. Omdat de oven een intense hitte produceert die het risico op ongelukken kan verhogen moet u zeer voorzichtig zijn.

Bij gebruik van deze oven moeten elementaire procedures worden gevolgd, inclusief maar niet beperkt tot:

- Repareer of vervang geen enkel deel van de oven tenzij specifiek aanbevolen in deze handleiding. Alle ander onderhoud moet worden uitgevoerd door een gekwalificeerde technicus.
- Kinderen mogen niet alleen of onbewaakt worden achtergelaten op een plek waar de oven wordt gebruikt. Sta nooit toe dat kinderen rond de oven gaan zitten, staan of spelen.
- Laat nooit kleding of andere ontvlambare materialen in contact met, of te dicht bij een brander of heet oppervlak komen, totdat deze is afgekoeld. De stof kan ontbranden en ernstig persoonlijk letsel veroorzaken.
- Draag voor de persoonlijke veiligheid de juiste kleding. Losse kledingstukken of mouwen mogen nooit worden gedragen tijdens het gebruik van de oven. Sommige synthetische stoffen zijn licht ontvlambaar en mogen tijdens het bakken niet worden gedragen.
- Verwarm geen ongeopende voedselcontainers omdat door drukopbouw de containers uit elkaar kunnen springen. Let bij het aansteken van de brander altijd goed op wat u aan het doen bent.
- Raak bij het gebruik van de oven de buitenkant, stenen bakplaat of directe omgeving niet aan, aangezien deze plekken extreem heet worden en brandwonden kunnen veroorzaken.
- Gebruik de oven niet om erg vet vlees of andere producten te bereiden waardoor de vlammen plots kunnen oplaaien.
- Hou het gebied rond de oven vrij van brandbare stoffen zoals vloeistoffen, afval en dampen zoals benzine of houtskool aansteekvloeistof.
- Blokkeer de af- en toevoer van verbrandings- en ventilatielucht niet.
- Gebruik de oven nooit in extreem winderige omstandigheden.
- De temperatuur onder de oven is hoog. Plaats de oven niet op een tafel met brandbare tafelkleden, plastic of andere ontvlambare materialen.

ONDERDELEN LIJST

1. Ooni Koda
2. Stenen Bakplaat

MONTAGE

Controleer voor de montage of alle onderdelen aanwezig zijn. Als er een onderdeel ontbreekt of beschadigd is, probeer dan niet het apparaat te monteren. Neem contact op met de klantenservice voor vervangende onderdelen.

MONTAGE INSTRUCTIES

1. Vouw de benen open
 2. Steek de stenen bakplaat erin
 3. Verbind de gas slang met Ooni Koda
Afhankelijk van uw regio kan de slang voorgeïnstalleerd zijn.
 - 3a. Gas slang direct aansluiten op Ooni Koda
 - 3b i). Verbind de slang pilaar aansluiting met Ooni Koda
 - 3b ii). Gas slang aansluiten op de slang pilaar aansluiting
- Zet vast met geschikte sleutels
4. Aansluiten op gas fles

WAARSCHUWING

- Hou de gas fles altijd rechtop.
- De afmeting voor een LPG-fles van 9 kg (20 lbs) is 31 cm (12,2 inch) in diameter en 45 cm (17,9 inch) hoog.
- Als het apparaat niet in gebruik is, moet het gas worden dichtgedraaid bij de toevoer van de fles.
- De gebruikte gas fles moet een kraag hebben om de gas fles-klep te beschermen.
- De minimale afstand tussen het apparaat en de gas fles van 9 kg (20 lb) is 0,6 m (25 inch).

GASREGELAAR MET EEN AUTOMATISCH AANSLUITING

Hierbij wordt de regelaar op de gas fles geduwd. Zorg ervoor dat de zwarte schakelaar horizontaal staat. Druk op de knop onder de zwarte schakelaar en druk de regelaar op de gas fles-klep totdat deze op zijn plaats klikt.

POL-GASREGELAAR

Deze gas aansluiting is linksom. Zorg ervoor dat de gas fles dicht is en schroef de regelaar zo ver mogelijk in de klep van de gas fles.

AANSLUITEN VAN DE LPG-FLES

Om de vloeibare propaan gas fles aan te sluiten:
De gas fles-klep moet in de UIT-stand staan.
Zorg ervoor dat de bedieningsknop op UIT staat.
Inspecteer de klepaansluitingen, poort en regelaareenheid.
Verwijder vuil en inspecteer de slang op beschadigingen.
Wanneer u de regelaareenheid op de klep aansluit, gebruikt u uw hand om de moer met de klok mee vast te draaien totdat hij vastzit. Het gebruik van een moersleutel kan de moer van de snelkoppeling beschadigen en een gevaarlijke situatie veroorzaken.
Open de gas flesklep volledig door de klep linksom te draaien.
Voordat u de oven aansteekt, gebruikt u een oplossing van zeep en water om alle aansluitingen op lekken te controleren.
Als u een lek vindt, draait u de gas fles-klep in de UIT-stand en gebruikt u de oven pas als de plaatselijke dealer van vloeibaar

propaan gas het gerepareerd heeft.

DE LPG-GASFLES AFKOPPELEN

Draai de bedieningsknop van de oven naar UIT.
Zorg ervoor dat de klep van de gas fles zich in de uit- / gesloten stand bevindt.
Ontkoppel de regelaareenheid van de klep van de gas fles door de snelkoppeling linksom te draaien.
Plaats de stofkap op de klep van de gas fles als de gas fles niet in gebruik is.

TESTEN OP LEKKEN

ALGEMEEN

Hoewel de gas aansluitingen van het apparaat vóór inpakken en verzending op lekken zijn getest, moet een volledige test op de montageplaats worden uitgevoerd.
Controleer voor elk gebruik alle gas aansluitingen op lekken aan de hand van de onderstaande procedure. Als u op enig moment gas ruikt, dan moet u onmiddellijk stoppen met het gebruik van het apparaat en het hele systeem controleren op lekken.

VOOR HET TESTEN

Zorg ervoor dat al het verpakkingsmateriaal van het apparaat is verwijderd.
Maak een oplossing van een deel vloeibaar wasmiddel en een deel water. U heeft een spuitfles, borstel of doek nodig om de oplossing op de fittingen aan te brengen.

OM TE TESTEN

Draai de bedieningsknop UIT.
Draai de klep van de LPG-gas fles linksom om de klep te openen.
Breng de zeepoplossing aan op alle gas fittingen.
Er verschijnen zeepbellen op de plek waar een lek aanwezig is.
Als er een lek is, draai dan onmiddellijk de gastoevoer UIT en zet lekkende fittingen vaster.
Schakel het gas weer IN en controleer opnieuw.
Mocht het gas uit een van de fittingen blijven lekken, draai dan de gastoevoer UIT en neem contact op met de klantenservice.

GEBRUIKSAANWIJZING

HET GEBRUIK VAN DE OVEN

Elke brander heeft een vermogen van 4.0KW.
Beginnen:
Zorg ervoor dat de oven is getest op lekken en correct is geplaatst.
Verwijder alle resterend verpakkingsmateriaal.
Steek de brander aan conform onderstaande INSTRUCTIES VOOR HET AANSTEKEN.

INSTRUCTIES VOOR HET AANSTEKEN

AANSTEKEN VAN DE BRANDER

Zorg ervoor dat de bedieningsknop UIT staat, draai vervolgens de klep van de LPG-Gas fles OPEN door langzaam linksom te draaien.
Druk de bedieningsknop in en draai hem langzaam linksom tot u een klik hoort en de brander ontsteekt.
Hou de bedieningsknop gedurende 5 seconden ingedrukt.
Als de brander niet brandt, draai dan de knop UIT, wacht 5 minuten en herhaal het aansteken.

AANSTEKEN MET EEN LUCIFER

Als u de brander na verschillende pogingen met de bedieningsknop niet aankrijgt, kan de brander met een lucifer worden aangestoken.
Als u al hebt geprobeerd de brander aan te steken met behulp van de bedieningsknop, wacht dan 5 minuten zodat eventueel gas is vervlogen.
Plaats een lucifer in de luciferhouder, steek de lucifer aan en steek hem door de ovenopening om de brander te bereiken.
Druk en draai de bedieningsknop langzaam naar AAN, de brander moet onmiddellijk ontbranden.
Als de brander niet binnen enkele seconden ontbrandt, zet de bedieningsknop op UIT, wacht 5 minuten en probeer het opnieuw.

VERZORGING EN ONDERHOUD

Vermijd direct zonlicht op de Ooni Koda en bewaar het apparaat, indien mogelijk, binnenshuis als u het langere tijd niet gebruikt. Ooni Koda mag niet worden blootgesteld aan barre

weersomstandigheden zoals sneeuw, zware regen en harde wind.
Wacht tot Ooni Koda volledig is afgekoeld voordat je hem verplaatst.
De buitenkant van de Ooni Koda kan na verloop van tijd en door gebruik vaal worden. Dit heeft geen invloed op de prestaties.

STENEN BAKPLAAT

1. Gebruik de stenen bakplaat NIET bij een open vuur.
2. Vermijd extreme temperatuurveranderingen op de steen. PLAATS GEEN bevroren voedsel op een hete steen.
3. De stenen bakplaat is kwetsbaar en kan breken bij stoten of vallen.
4. De stenen bakplaat is erg heet tijdens gebruik en blijft na gebruik lang heet.
5. Koel de stenen bakplaat NIET met water als ze heet is.
6. Nadat u de stenen bakplaat met water hebt gereinigd, moet u de stenen bakplaat voor gebruik drogen. Dit kunt u doen in een conventionele oven bij 60 ° C (140 ° F) gedurende 2 uur.

PROBLEMEN OPLOSSEN

Probleem	Mogelijke oorzaak	Voorkomen / Oplossing
Brander gaat niet aan	<ol style="list-style-type: none">1. Geen gastoevoer2. Koppelmoer en regelaar niet goed aangesloten3. Blokkering van de gastoevoer4. Geen verbinding tussen brander en klep5. Onjuiste montage	<ol style="list-style-type: none">1. Controleer of de gas fles leeg is2. Draai de koppelmoer ongeveer een halve tot driekwart extra slag totdat deze goed vastzit. Alleen met de hand vastdraaien - geen gereedschap gebruiken3. Maak de branderbuis schoon4. Verbind de brander en de klep opnieuw5. Controleer de stappen in de montageinstructie
Plotselinge daling van de gastoevoer of kleine vlam	<ol style="list-style-type: none">1. Het gas is op	<ol style="list-style-type: none">1. Controleer op gas in de fles2. Draai de gas bedieningsknop dicht, wacht 30 seconden en steek de oven aan. Als de vlammen nog steeds klein zijn, draai dan de gas bedieningsknop en de klep van de gas fles dicht. Koppel de regelaar los. Sluit de regelaar weer aan en test op lekken. Draai de klep van de gas fles open, wacht 30 seconden en steek vervolgens de oven aan.
Vlammen gaan uit	<ol style="list-style-type: none">1. Harde wind of windvlagen2. Het gas is bijna op	<ol style="list-style-type: none">1. Draai de voorkant van de oven weg van de wind2. Vul de gas fles bij3. Zie "Plotselinge daling van de gastoevoer" hierboven
Oplaaien	<ol style="list-style-type: none">1. Afzetting van vet2. Overmatig vet in vlees3. Te hoge baktemperatuur4. Overtollig meel op het bakoppervlak	<ol style="list-style-type: none">1. Reinig de oven2. Snij vet van het vlees voordat u bakt3. Verlaag de temperatuur naar behoren4. Borstel overvloedig meel van het bakoppervlak
Vlamterugslag (brand in branderbuis, brullend geluid van de brander)	<ol style="list-style-type: none">1. Brander en / of branderbuizen zijn geblokkeerd2. Drukverlies bij het aansteken3. Oven staat in de richting van harde wind	<ol style="list-style-type: none">1. Draai de gas bedieningsknop uit. Reinig brander en / of branderbuizen.2. Zet de oven uit, zorg ervoor dat de klep van de gas fles volledig open is (indien van toepassing) en steek opnieuw aan.3. Draai de voorkant van de oven weg van de wind nadat deze is afgekoeld.

NO

BRUKERHÅNDBOK FOR GASSFYRT PIZZAOVN

ADVARSEL

⚠ ADVARSEL

Les denne sikkerhetskåndboken nye og i sin helhet før du du tar i bruk innretningen for å redusere faren for ildebrann, brannskader eller andre personskader.

⚠ ADVARSEL

Srg for at gassforsyningen og kontrollknotten er i AV-posisjonen samt at brenneren og ovnen er avkjlt før rengjring.

⚠ ADVARSEL

Bruk aldri innretningen uten tilsyn. Dersom en brann oppstår, må du holde deg unna innretningen og kontakte brannvesenet umiddelbart. Ikke forsk å slukke en olje- eller fettbrann med vann.

Unnlatelse av å flge disse instruksene kan resultere i brann, eksplosjon eller brannskader. Dette kan igjen fre til skader på eiendom, personskader eller dd.

⚠ ADVARSEL

Brukes bare på et godt ventilert sted.

⚠ FARE

Hvis du kjenner gasstukt:

- Steng av gasstilfrselen til innretningen
- Slukk eventuelle åpne flammer
- Hold deg unna innretningen og kontakt brannvesenet umiddelbart dersom lukten ikke forsvinner.

⚠ ADVARSEL

- a. Hold slangen til brennstofftilfrselen unna oppvarmede overflater.
- b. Inntak av alkohol, reseptbelagte eller ikke-reseptbelagte legemidler kan svekke brukerens evne til å montere innretningen eller bruke den på riktig måte.
- c. Hold barn og kjledyr unna innretningen til enhver tid.
- d. Ikke flytt innretningen mens den er i bruk.
- e. Innretningen er ikke ment for å vre et varmeapparat og br heller aldri brukes som dette.

⚠ ADVARSEL

Slå av gasstilfrselen ved gassflasken etter bruk.

⚠ ADVARSEL

Dette apparatet må holdes borte fra brennbare materialer under bruk.

⚠ ADVARSEL

Ikke modifier apparatet

⚠ ADVARSEL

Edderkopper og insekter kan lage reir i innretningens brenner og forstyrre gasstrmmen. Inspiser brenneren minst én gang i året.

⚠ ADVARSEL

Srg for å benytte den medflgende fyrstikkholderen dersom innretningen skal antennes med en fyrstikk.

⚠ ADVARSEL

Ikke lagre denne innretningen innendrs med mindre gassynderen er frakoblet.

⚠ ADVARSEL

Ikke lagre gassyndere i bygninger, garasjer eller andre lukkede omrder, og oppbevar dem utilgjengelig for barn til enhver tid.

⚠ ADVARSEL

Denne innretningen er ikke ment for å installeres i eller på fritidskjrety og/eller bter.

⚠ ADVARSEL

Sjekk alle gasstilkoblinger for lekkasje før hvert bruk. Ikke bruk innretningen før alle tilkoblinger har blitt sjekket og er fri for lekkasje.

⚠ ADVARSEL

Ikke ryk under lekkasjetester. Aldri sjekk etter lekkasjer med en åpen flamme.

⚠ ADVARSEL

Hold ansiktet og hendene så langt unna innretningen som mulig under antennelsen.

⚠ ADVARSEL

Minste klaring fra enhetens sider til brennbar konstruksjon er 609 mm (24 tommer).

Minste klaring fra enhetens bakside til brennbar konstruksjon er 914 mm (36 tommer).

- Delene som er forseglet av produsenten br ikke justeres av brukeren
- Når apparatet bruker LPG A, br LPG-sylinder brukes
- LPG-sylinderstrrelsen: maks diameter - 350 mm, maksimal hyde - 400 mm.
- Apparatet skal installeres med tilstrekkelig ventilasjon for å forhindre forekomst av uakseptable konsentrasjoner av helsefarlige stoffer i rommet hvor apparatet er installert
- Minimumsavstandene mellom apparatet og tilgrensende vegger er 0,5m
- Slangen til apparatet br ikke overstige 1,5 m
- Apparatet skal installeres på et godt ventilert rom. Permanent tilfrsel av frisk luft sikres, og det oppstår ingen opphopning av uforbrente gasser
- Gassledningen eller slangen skal oppfylle de nasjonale forskriftene og skal periodisk underskes og erstattes etter behov.
- Slangen skal overholde standarden EN16436. Regulatoren skal overholde standarden EN16129.
- Slangen og regulatoraggregatet kan ikke leveres med apparatet i noen omrder.
- Kontroller og rengjr innsiden av ovnen før den tennes, for å unngå brannfare fra oljene som har akkumulert under tidligere tilberedning.
- Brennerenes uttak br kontrolleres for obstruksjon under tidligere tilberedning.
- Brennerenhetene br kontrolleres for obstruksjon og rengjres regelmessig med en myk stlbrste.
- Det er ndvendig å unngå hindring og tillate en god forbrenning

NOMINELT GASSFORBRUK PR. TIME

ooni	Produsent:	Ooni Limited, Unit 5, Bishopsgate Business Center, 189 West Main Street, Broxburn, Scotland, EH52 5LH			CE 0063-20 0063CT7478	NO
	Modell:	Ooni Koda				
Kategori	<input type="checkbox"/> I3+(28-30/37)		<input type="checkbox"/> I3B/P(30)	<input type="checkbox"/> I3B/P(37)	<input type="checkbox"/> I3B/P(50)	
Type gass	Butan	Propan	Butan, propan eller deres blandinger			
Gasstrykk	28-30 mbar	37 mbar	28-30 mbar	37 mbar	50 mbar	
Total varmeutgang	4.0 kW					
Apparattype	A1					
Injeksjonsstrrelse/ merking	0.75mm/0.75		0.75mm/0.75	0.68mm/0.68	0.64mm/0.64	
Destinasjonsland	BE, CH, CZ, ES, FR, GB, IE, IT, LU, PT		DK, EE, FI, IS, IT, NL, NO, SE	PL	AT, CH, DE, SK	
Dette apparatet skal installeres i samsvar med gjeldende forskrift og brukes bare på et godt ventilert sted. Rdfr deg med instruksjonene før du installerer og bruker dette apparatet.						

FØR ANTENNING

Inspiser slangen til gasstilførselen før gassen skrur på. Dersom det finnes tegn til kutt eller slitasje, må den byttes ut før bruk. Skru gassregulatoren fast til gassylindere. Sjekk slange- og regulatortilkoblinger for lekkasje med såpevann før innretningen antennes.

Kun trykkregulatoren og gasslangeinnretningen som følger med denne innretningen kan brukes.

LP-GASSYLINDER-ADVARSEL

1. Ikke lagre flytende propangassylindere under eller i nærheten av denne innretningen.
2. Fyll aldri sylindere opp mer enn 80% av kapasiteten.
3. Propangassylindere må utstyres med en overflyllingsbeskyttelsesenheter (OPD)
4. Hvis informasjonen over ikke følges helt nøyaktig, kan en brann oppstå og resultere i alvorlige skader eller død.

SIKKERHETSPRAKSISER FOR Å UNNGÅ SKADER

Når ovnen din blir godt ivaretatt, vil den fungere på en sikker og pålitelig måte. Ekstrem varsomhet må likevel utøves ettersom ovnen produserer en intens varme som kan øke ulykkesfaren.

Når ovnen er i bruk, må grunnleggende praksiser alltid følges. Dette inkluderer, men er ikke begrenset til:

- Ikke reparer eller erstatt noen av ovnens deler med mindre dette anbefales uttrykkelig i denne håndboka. All annen service bør utføres av en kvalifisert tekniker.
- Barn bør aldri etterlates alene eller være uten tilsyn i området ovnen blir brukt. Aldri la barn få sitte, stå eller leke rundt ovnen.
- Aldri la tekstiler eller andre brennbare materialer komme i kontakt med eller for nær brennere eller varme overflater før disse har blitt avkjølt. Tekstiler kan antennes og resultere i alvorlige personskader.
- For egen sikkerhet, bruk egnete klær. Løse plagg eller ermer bør aldri brukes sammen med ovnen. Noen syntetiske tekstiler er svært brennbare og bør aldri brukes under matlaging.
- Ikke varm opp uåpnede matbeholdere da oppbygging av trykk kan få dem til å bryte. Når brenneren antennes, må du være oppmerksom på hva du gjør.
- Når ovnen brukes, må det ytre skallet, pizzasteinen eller umiddelbare omgivelser ikke berøres ettersom disse områdene kan bli svært varme og føre til brannskader.
- Ikke bruk ovnen til kjøtt med svært mye fett eller andre produkter som kan øke oppflamming
- Hold området rundt ovnen fritt for brennbare materialer, noe som inkluderer fluider, søppel og damp fra bensin og lighertvæske.
- Ikke hindre strømmen av forbrennings- og ventilasjonsluft.
- Ikke bruk ovnen under svært vindfulle forhold.
- Temperaturen under ovnen er høy. Ikke plasser ovnen på et bord med brennbar duk, plast eller andre brennbare materialer.

DELELISTE

1. Ooni Koda
2. Pizzastein

MONTERING

Sørg for at alle delene er på plass før montering. Dersom en del mangler eller er skadet, må du ikke prøve å sette sammen innretningen. Kontakt kundeservice for reservedeler.

MONTERINGSINSTRUKSER

1. Fell ut beina
2. Sett inn pizzasteinen
3. Koble gaslange til Ooni Koda
Slangen kan komme forhåndsmontert, noe som avhenger av region.
- 3a. Kobling av gaslangen direkte til Ooni Koda
3b i). Kobling av slangekontakten til Ooni Koda
3b ii). Kobling av gaslangen til slangekontakten
Stram med egnet skrunøkkel
4. Tilkobling til gasstank

ADVARSEL

- Ha alltid gasflasken i oppreist posisjon.
- Størrelsen på en 20 lbs (9,1 kg) gassylinder er 12,2 tommer (30,5 cm) i diameter og 17,9 tommer (45,5 cm) i høyden.
- Gassen må være stengt av ved gassylindere når innretningen ikke er i bruk.
- Sylindere som brukes må inkludere en krage for å beskytte sylinderventilen.
- Den minste tillatte distansen mellom innretningen og gasstanken på 20 lbs (9,1 kg) er 25 tommer (60 cm).

PATIO GASSREGULATOR

Har innstikkeslag. Forsikre deg om at den svarte bryteren er i horisontal stilling. Trykk på knappen under den svarte bryteren og skyv regulatoren på sylinderventilen til den klikker på plass.

POL GASSREGULATOR

Denne gasstillkoblingen er links-gjenget. Sørg for at tanken er fullstendig slått av og skru regulatoren så langt inn som mulig på gasstankventilen.

KOBLE TIL SYLINDEREN MED FLYTENDE PROPANGASS

For å koble til sylindere med flytende propangass: Sylinderventilen må være i AV-posisjon. Sørg for at kontrollknoten er i AV-posisjon. Inspiser ventilens tilkoblinger, innganger og regulatorinnretning. Fjern rusk og inspiser slangen for skader. Når regulatorinnretningen skal kobles til ventilen, bruker du høyre hånd til å stramme mutteren med klokka til den stopper. Bruk av skiftenøkkel kan skade mutteren og føre til farlige situasjoner. Åpne sylinderventilen fullstendig ved å skru ventilen mot klokka. Bruk såpevann til å sjekke alle tilkoblinger for lekkasje før ovnen antennes. Dersom en lekkasje blir funnet, må sylinderventilen skrues til AV-posisjon og ovnen kan ikke brukes før din lokale forhandler av propangass har utført reparasjon.

KOBLE FRA SYLINDEREN MED PROPANGASS

Skrus ovnens kontrollknot til AV-posisjon. Sørg for at tankventilen er i av/lukket posisjon. Fjern regulatorinnretningen fra sylinderventilen ved å skru mutteren mot klokka. Sett på en støvhet på sylinderventilens uttak når sylindere ikke er i bruk.

LEKKASJETESTING

GENERELT

Selv om innretningens gasstillkoblinger er lekkasjetestet før pakking og levering, må en fullstendig test utføres på installasjonsstedet. For hvert bruk må alle gasstillkoblinger lekkasjetestes i henhold til prosedyren nedenfor. Hvis gaslukt oppdages på et hvilket som helst tidspunkt, må du stoppe å bruke og sjekke hele systemet for lekkasje.

FØR TESTING

Sørg for at innpakningsmaterialet er fjernet fullstendig fra innretningen. Lag en løsning med én del flytende vaskemiddel og én del vann. Du kommer til å trenge en sprayflaske, børste eller fille for å kunne påføre løsningen på tilkoblingsdelene.

FOR Å TESTE

Skrus kontrollknoten til AV-posisjonen. Skru ventilen til sylindere med propangass mot klokka for å åpne ventilen. Påfør løsningen med såpevann på alle gasstillkoblinger. Såpebobler vil dukke opp på steder med lekkasje. Hvis en lekkasje blir funnet, må gassforsyningen umiddelbart skrues AV og den lekkende tilkoblingen strammes. Skru gassforsyningen tilbake til PÅ og sjekk på nytt. Dersom gassen fortsetter å lekke fra en tilkobling, må gassen skrues AV og kundeservice kontaktes.

DRIFTSINSTRUKSJONER

BRUKE OVNE

Hver brenner er rangert til 4 kW. For å starte: Sørg for at ovnen har blitt lekkasjetestet og er plassert riktig. Fjern eventuelt gjenværende innpakningsmaterie. Tenn opp brenneren ved å følge INSTRUKSJONENE FOR ANTENNING nedenfor.

INSTRUKSJONER FOR ANTENNING

Å TENNE BRENNEREN

Sørg for at kontrollknoten er i AV-posisjon. Skru deretter ventilen til sylindere med flytende propan PÅ ved å sakte skru den mot klokka. Trykk inn kontrollknoten og skru den sakte mot klokka til du hører et klukk og brenneren antennes. Fortsett å holde kontrollknoten inne i 5 sekunder. Skru kontrollknoten AV, vent i 5 minutter og repeter antenningen dersom brenneren ikke antennes.

Å TENNE MED FYRSTIKK

Dersom brenneren ikke vil antennes etter flere forsøk med kontrollknotten, kan den antennes med en fyrstikk.

Dersom du allerede har forsøkt å antenne brenneren ved hjelp av kontrollknotten, skal du vente i 5 minutter til gassen forsvinner.

Sett en fyrstikk inn i fyrstikkholderen, tenn fyrstikken og før den gjennom ovnsens åpning for å nå frem til brenneren.

Trykk inn og skru kontrollknotten sakte til HI. Brenneren bør antennes umiddelbart.

Skru kontrollknotten til AV, vent i 5 minutter og prøv på nytt dersom brenneren ikke antennes innen få sekunder.

IVARETAKELSE OG VEDLIKEHOLD

Oppbevar Ooni Koda på et sted uten direkte sollys og innendørs hvis mulig og når den skal lagres i lengre tidsperioder. Ooni Koda bør ikke brukes under barske værforhold, som ved snø, mye regn og vind.

FEILSØKING

Problem	Mulig årsak	Forebygging / Løsning
Brenneren vil ikke antennes	1. Ingen strømning av gass 2. Koblingsmutter og regulator er ikke fullstendig tilkoblet 3. Strømningen av gass hindres 4. Løsrivelse av brenner til ventil 5. Feil montering	1. Sjekk om propantanken er tom 2. Skru koblingsmutteren ytterligere en halv til tre fjerdedels runde til fullstendig stans. Stram den kun for hånd – ikke bruk verktøy 3. Klargjør røret til brenneren 4. Sett brenneren og ventilen på plass igjen 5. Sjekk stegene i monteringsinstruksjonen
Plutselig fall i strømning av gass eller lav flamme	1. Tomt for gass	1. Sjekk om det er gass i propantanken 2. Skru av gasskontrollknotten, vent i 30 sekunder og tenn på ovnen. Dersom flammene fortsatt er lave, skru av gasskontrollknotten og propantankventilen. Koble fra regulatoren. Koble til regulatoren igjen og utfør en lekkasjetest. Skru på propantankventilen, vent i 30 sekunder og tenn ovnen.
Flammene dør ut	1. Sterk vind eller vindkast 2. Propangassen holder på å gå tom	1. Drei ovnsens front bort fra vinden 2. Fyll på propantanken 3. Henvis til "Plutselig fall i strømning av gass" over
Oppflamming	1. Oppbygging av fett 2. Overflødig fettmengde i kjøttet 3. Overdrevet matlagingstemperatur 4. Overflødig mel på matlagingsflaten	1. Rengjør ovnen 2. Fjern noe fett fra kjøttet før matlagning 3. Juster (senk) temperaturen tilsvarende 4. Børst melrester fra matlagingsflaten
Tilbakeslag (brann i brennerør, brølende lyd fra brenneren)	1. Brenner og/eller brennerør er blokkert 2. Trykkfall ved antenning 3. Ovnen er vendt mot sterk vind	1. Skru gasskontrollknotten av. Rengjør brenner og/eller brennerør. 2. Skru ovnen av, sørg for at tankventilen er fullstendig åpen (hvis aktuelt) og antenn på nytt. 3. Drei ovnsens front bort fra vinden når den er avkjølt.

Vent til Ooni Koda er fullstendig nedkjølt før den flyttes.

Ooni Kodas ytre skall kan falme over tid og ved bruk. Dette vil ikke påvirke ytelsen.

PIZZASTEIN

1. IKKE bruk steinen over en åpen flamme.
2. Unngå å utsette steinen for ekstreme temperaturendringer. IKKE plasser frossen mat på en varm stein.
3. Steinen er skjør og kan ødelegges ved støt eller dersom den faller i bakken.
4. Steinen er veldig varm under bruk og vil være varm i lang tid etter bruk.
5. IKKE kjøøl steinen ned med vann når steinen er varm.
6. Tørk steinen før bruk etter at den har blitt rengjort med vann. Dette kan gjøres i en vanlig ovn på 60 °C (140 °F) i 2 timer.

PT

MANUAL DE UTILIZADOR DO FORNO PARA PIZA A GÁS GPL

AVISO

⚠ AVISO

Para reduzir o risco de incêndio, de queimaduras ou outras lesões, leia este manual de segurança atentamente e na íntegra antes de utilizar o aparelho.

⚠ AVISO

Antes de limpar, verifique se a alimentação de gás e o botão de controlo estão na posição OFF e se o bico de gás e o forno arrefeceram.

⚠ AVISO

Nunca deixe este aparelho sem vigilância. Se houver um incêndio, afaste-se e chame de imediato os bombeiros. Não tente apagar um incêndio de óleo ou gordura com água.

O não cumprimento destas instruções pode resultar em risco de incêndio, explosão ou queimadura, o que poderá causar danos materiais, lesões corporais ou a morte.

⚠ AVISO

Use em um local bem ventilado.

⚠ PERIGO

Se sentir cheiro a gás:

- Desligue a fonte de gás do aparelho
- Apague qualquer chama existente
- Se o odor persistir, mantenha-se afastado do aparelho e chame de imediato o seu fornecedor de gás ou os bombeiros.

⚠ AVISO

- a. Mantenha a mangueira de alimentação de combustível afastada de qualquer superfície aquecida.
- b. O consumo de álcool e de medicamentos sujeitos ou não sujeitos a receita médica pode prejudicar a capacidade do consumidor de montar ou utilizar o aparelho em segurança.
- c. Mantenha crianças e animais sempre afastados do aparelho.
- d. Não desloque o aparelho quando estiver a ser usado.
- e. Este aparelho não se destina e nunca deverá ser usado como aquecedor.

⚠ AVISO

Desligue o suprimento de gás no cilindro de gás após o uso.

⚠ AVISO

Este aparelho deve estar afastado dos materiais inflamáveis durante a utilização

⚠ AVISO

As aranhas e os insetos podem fazer ninhos dentro do bico de gás do aparelho e interromper o fluxo de gás. Inspeccione o bico pelo menos uma vez por ano.

⚠ AVISO

Ao usar fósforos para ligar o aparelho, lembre-se de usar o suporte para fósforos que vem incluído.

⚠ AVISO

Não guarde este aparelho em ambientes fechados, a menos que a botija de gás esteja desligada.

⚠ AVISO

Não armazene a botija de gás num edifício, garagem ou em qualquer outro espaço fechado e mantenha-a sempre fora do alcance das crianças.

⚠ AVISO

Este aparelho não se destina a ser instalado em veículos recreativos e/ou barcos.

⚠ AVISO

Inspeccione todas as peças de alimentação de gás quanto à possibilidade de fugas antes de usar o aparelho. Não o utilize até que todas as peças tenham sido verificadas e não estejam a vaziar.

⚠ AVISO

Não fume enquanto estiver a testar fugas. Nunca faça os testes com chamas acesas.

⚠ AVISO

Ao acender o forno, afaste o mais possível o rosto e as mãos.

⚠ AVISO

A folga mínima dos lados da unidade para os materiais combustíveis é de 609 mm (24 polegadas).

A folga mínima da parte de trás da unidade para os materiais combustíveis é de 914 mm (36 polegadas).

⚠ AVISO

Não modificar o aparelho.

- As peças seladas pelo fabricante não devem ser ajustadas pelo utilizador
- Quando o aparelho estiver a utilizar GPL, deve usar-se o cilindro de GPL
- Tamanho do cilindro de GPL: diâmetro máximo - 350 mm, altura máxima - 400 mm.
- O aparelho deve ser instalado com ventilação suficiente para evitar a ocorrência de concentrações inaceitáveis
- As distâncias mínimas entre o aparelho e as paredes adjacentes são de 0,5 m
- A mangueira do aparelho não deve exceder 1,5 m
- O aparelho deve ser instalado num ambiente adequadamente ventilado. O fornecimento permanente de ar fresco fica assegurado e não há acúmulo de gases não queimados
- A tubulação ou mangueira de alimentação de gás deve estar em conformidade com os requisitos nacionais em vigor e ser periodicamente examinada e substituída, se necessário.
- A mangueira deve respeitar a norma EN16436. O regulador deve respeitar a norma EN16129.
- Nalgumas regiões, a mangueira e o conjunto do regulador podem não ser fornecidos com o aparelho.
- Inspeccione e limpe adequadamente o interior do forno antes de o acender, para evitar a emissão de fogo devida aos óleos acumulados durante a anterior utilização.
- As saídas do bico devem ser inspecionadas com vista a detetar obstruções durante a utilização anterior.
- As saídas do bico devem ser inspecionadas com vista a detetar obstruções e regularmente limpas com um esfregão de arame macio.
- É necessário evitar obstruções e permitir uma boa combustão

CONSUMO NOMINAL DE GÁS POR HORA

ooni	Fabricante: Ooni Limited, Unit 5, Bishopsgate Business Center, 189 West Main Street, Broxburn, Scotland, EH52 5LH		CE 0063-20 0063CT7478		PT
	Modelo: Ooni Koda				
Categoria	<input type="checkbox"/> I3+(28-30/37)		<input type="checkbox"/> I3B/P(30)	<input type="checkbox"/> I3B/P(37)	<input type="checkbox"/> I3B/P(50)
Tipo de gás	Butano	Butano	Butano, propano ou a sua mistura		
Pressão do gás	28-30 mbar	37 mbar	28-30 mbar	37 mbar	50 mbar
Entrada total de calor	4.0 kW				
Tipo de aparelho	A1				
Marca do injetor/ tamanho	0.75mm/0.75		0.75mm/0.75	0.68mm/0.68	0.64mm/0.64
Países de destino	BE, CH, CZ, ES, FR, GB, IE, IT, LU, PT		DK, EE, FI, IS, IT, NL, NO, SE	PL	AT, CH, DE
Este aparelho deve ser instalado em conformidade com os regulamentos atuais e apenas usado num local bem ventilado. Consulte as instruções antes de instalar e usar este aparelho.					

ANTES DE ACENDER

Inspeccione a mangueira de alimentação de gás antes de ligar o gás. Se houver sinais de corte, desgaste ou abrasão, deverá ser substituída antes de usar.

Aparafuse o regulador na botija de gás. Antes de ligar o aparelho, inspeccione a mangueira e as peças do regulador com uma solução de sabão e água, para confirmar se não há fugas.

Só devem ser usados o regulador de pressão e o conjunto de mangueiras de gás fornecidos com este aparelho.

AVISO SOBRE A BOTIJA DE GÁS GPL

1. Não guarde a botija de gás de petróleo liquefeito debaixo ou na proximidade deste aparelho.
2. Nunca encha a botija até ultrapassar 80% da sua capacidade.
3. A botija de petróleo liquefeito deve estar equipada com um DISPOSITIVO DE PROTEÇÃO CONTRA TRANSBORDO (OPD).
4. Se as informações acima não forem seguidas à risca, pode haver um incêndio que resulte em morte ou ferimentos graves.

PRÁTICAS DE SEGURANÇA PARA EVITAR FERIMENTOS

Quando bem cuidado, o seu forno prestará um serviço seguro e fiável. No entanto, deve tomar extremo cuidado, porque o forno produz um calor intenso, que pode aumentar o risco de acidentes.

Ao utilizar o forno, deverá seguir algumas práticas básicas, incluindo, entre outras, as seguintes:

- Não repare ou substitua qualquer peça do forno, a menos que isso seja especificamente recomendado neste manual. Todos os outros serviços devem ser realizados por técnicos qualificados.
- As crianças não devem ser deixadas sozinhas ou sem vigilância numa área em que o forno esteja a ser usado. Não permita que as crianças se sentem, fiquem de pé ou brinquem em volta do forno, em circunstância alguma.
- Nunca deixe roupas ou outros materiais inflamáveis entrarem em contacto ou chegarem perto de qualquer bico ou superfície quente antes de ter arrefecido. O tecido pode inflamar, causando ferimentos graves.
- Por questões de segurança pessoal, use um vestuário adequado. Nunca deverá usar peças de vestuário soltas ou mangas durante a manutenção do forno. Alguns tecidos sintéticos são altamente inflamáveis e não devem ser usados durante os processos de cozedura.
- Não aqueça recipientes de alimentos fechados, pois o acúmulo de pressão pode fazer com que rebentem. Ao acender o bico de gás, preste sempre muita atenção ao que está a fazer.
- Quando utilizar o forno, não toque no revestimento exterior, na placa de cozedura ou nas imediações, uma vez que estas áreas ficam extremamente quentes e podem causar queimaduras.
- Não utilize o forno para cozinhar carnes extremamente gordurosas ou outros produtos que aumentem as chamas.
- Mantenha a área ao redor do forno desimpedida de material combustível, incluindo fluidos, lixo e vapores, como gasolina ou fluido de isqueiro a carvão.
- Não obstrua o fluxo de combustão e de ventilação.
- Nunca use o forno em condições extremamente ventosas.
- A temperatura debaixo do forno é alta. Não coloque a grelha sobre uma mesa com toalhas de mesa inflamáveis, plástico nem qualquer outro material inflamável.

LISTA DE PEÇAS

1. Ooni Koda
2. Placa de Cozedura em Pedra

MONTAGEM

Antes da montagem, confirme se todas as peças estão presentes. Se alguma parte estiver em falta ou estiver danificada, não tente montar o aparelho. Contacte o serviço de apoio ao cliente para lhe enviarem peças de substituição.

INSTRUÇÕES DE MONTAGEM

1. Desdobre as pernas
 2. Insira a placa de pedra
 3. Ligue a mangueira de gás ao Ooni Koda
Dependendo da sua região, a mangueira poderá estar pré-montada.
 - 3a. Ligue a mangueira de gás diretamente ao Ooni Koda
 - 3b i). Ligue a rebarba ao Ooni Koda
 - 3b ii). Ligue a mangueira de gás à rebarba
- Aperte com chaves de fendas adequadas
4. Ligue ao depósito de gás

AVISO

- Por favor, mantenha a botija de gás sempre na posição vertical.
- O tamanho da botija de gás LP de 9 kg é de 31 cm de diâmetro e 45,5 cm de altura
- Se o aparelho não estiver a ser utilizado, o gás deve ser desligado na botija de alimentação
- A botija utilizada deve incluir um gargalo para proteger a válvula da botija.
- A distância mínima entre o aparelho e o depósito de gás de 9 kg deve ser de 60 cm.

PÁTIO REGULADOR DE GÁS

Trata-se de um acessório de pressão de gás. Certifique-se de que o interruptor preto está na posição horizontal. Pressione o botão situado abaixo do interruptor preto e empurre o regulador até à válvula do depósito, até que trave no lugar.

REGULADOR DE GÁS POL

Este acessório de gás funciona em sentido anti-horário. Certifique-se de que o depósito está completamente desligado e aparafuse o regulador o máximo possível até à válvula do depósito de gás.

LIGAR A BOTIJA DE GÁS DE PETRÓLEO LIQUEFEITO

Para ligar a botija de gás de petróleo liquefeito:
A válvula da botija deve estar na posição OFF.
Certifique-se de que o botão de controlo está na posição OFF.
Inspeccione as ligações da válvula, a porta e o conjunto do regulador. Remova os detritos e inspeccione a mangueira para verificar se está danificada.
Ao ligar o conjunto do regulador à válvula, use a mão para apertar a porca no sentido horário até ela parar. O uso de uma chave de fendas pode danificar a porca de acoplamento rápido e provocar uma situação perigosa.

Abra totalmente a válvula da botija, girando-a no sentido anti-horário.

Antes de ligar o forno, use uma solução de sabão e água em todas as ligações, para verificar se há fugas.
Se encontrar alguma fuga, DESLIGUE a válvula da botija e não use o forno até que o revendedor local de petróleo liquefeito possa fazer a reparação.

DESLIGAR A BOTIJA DE GÁS DE PETRÓLEO LIQUEFEITO

Desligue o botão de controlo do forno
Certifique-se de que a válvula do depósito está na posição off/ fechada.

Retire o conjunto do regulador da válvula da botija, girando a porca de acoplamento rápido em sentido anti-horário.

Aplique a tampa contra a poeira na saída da válvula da botija sempre que ela não estiver a ser usada.

TESTE GERAL DE FUGAS

Embora as ligações de gás do dispositivo sejam testadas contra fugas antes do acondicionamento e envio, deve ser feito um teste completo no local da instalação.

Antes de cada uso, verifique todas as ligações de gás para testar fugas, usando o procedimento abaixo descrito. Se em qualquer momento detetar cheiro a gás, deverá deixar imediatamente de usar o aparelho e verificar se há fugas no sistema inteiro.

ANTES DE TESTAR

Verifique se todo o material da embalagem foi removido do aparelho.
Faça uma solução com uma parte de detergente líquido e uma parte de água. Necessitará de um borrifador, um pincel ou um pano para aplicar a solução aos acessórios.

TESTAR

Desligue o botão de controlo
Gire a válvula da botija de petróleo liquefeito no sentido anti-horário para a abrir.
Aplique a solução de sabão a todas as ligações de gás. Deverão aparecer bolhas de sabão onde houver uma fuga.
Se isso acontecer, desligue imediatamente a alimentação de gás e aperte os conetores onde detetar a fuga.
Ligue o gás novamente e volte a testar.
Se o gás continuar a vazar em qualquer das ligações, desligue a alimentação de gás e entre em contacto com o serviço ao cliente.

INSTRUÇÕES DE FUNCIONAMENTO

UTILIZAÇÃO DO FORNO

Cada bico de gás está classificado em 4 KW.
Para começar:
Certifique-se de que o forno foi testado quanto a fugas e corretamente posicionado.
Remova qualquer material de embalagem restante.
Ligue o bico seguindo as INSTRUÇÕES DE ACENDIMENTO abaixo

INSTRUÇÕES DE ACENDIMENTO

PARA ACENDER O BICO DE GÁS

Confirme que o botão de controlo está na posição OFF e ligue a válvula da botija de petróleo liquefeito, girando-a lentamente no sentido anti-horário.
Empurre para dentro e gire lentamente o botão de controlo no sentido anti-horário até ouvir um clique e o bico acender.
Continue a segurar o botão de controlo durante 5 segundos.
Se o bico não acender, desligue o botão, aguarde 5 minutos e repita o procedimento.

ACENDER COM FÓSFORO

Se o bico não acender após várias tentativas com o botão de controlo, pode usar um fósforo.
Se já tentou acender o bico de gás usando o botão de controlo, aguarde 5 minutos para que qualquer gás presente se dissipe.
Insira um fósforo no suporte para fósforos, acenda-o e insira-o pela abertura do forno para alcançar o bico.
Empurre e gire o botão de controlo lentamente até HI. O bico deve acender de imediato.
Se ele não acender em segundos, desligue o botão de controlo, aguarde 5 minutos e tente novamente.

CUIDADOS E MANUTENÇÃO

Guarde o Ooni Koda fora da incidência direta de luz solar e sempre que possível dentro de casa, quando o armazenar durante períodos de tempo prolongados. O Ooni Koda não deve ficar exposto a condições climáticas adversas, como neve, chuva e ventos fortes.
Aguarde que o Ooni Koda arrefeça por completo antes de o deslocar.
O revestimento exterior do Ooni Koda pode desbotar com o tempo e o uso. Isto não afetará o seu desempenho.

PLACA DE COZEDURA EM PEDRA

1. NÃO use a pedra sobre uma chama aberta.
2. Evite mudanças extremas de temperatura na pedra. NÃO coloque alimentos congelados sobre a pedra quente.
3. A pedra é frágil e pode partir se bater nalgum sitio ou cair.
4. A pedra aquece bastante durante o uso e permanece quente durante muito tempo depois.
5. NÃO arrefeça a pedra com água quando ela estiver quente.
6. Depois de limpar a pedra com água, por favor seque-a antes de usar. Isto pode ser feito num forno convencional a 60 °C (140 °F) durante 2 horas.

SOLUÇÃO DE PROBLEMAS

Problema	Possível causa	Prevenção / Solução
O bico de gás não acende	<ol style="list-style-type: none">1. Sem fluxo de gás2. Porca de acoplamento e regulador não totalmente ligados3. Obstrução do fluxo de gás4. Desengate entre o bico e a válvula5. Montagem incorreta	<ol style="list-style-type: none">1. Verifique se o depósito de gás está vazio2. Rode a porca de acoplamento cerca de metade a três quartos mais, até parar. Aperte apenas com a mão - não use ferramentas3. Limpe o tubo do bico4. Volte a engatar o bico e a válvula5. Verifique as etapas nas instruções de montagem
Queda repentina no fluxo de gás ou chama reduzida	<ol style="list-style-type: none">1. Sem gás	<ol style="list-style-type: none">1. Verifique se há gás no depósito2. Desligue o botão de controlo do gás, aguarde 30 segundos e acenda o forno. Se as chamas ainda estiverem baixas, desligue o botão de controlo de gás e a válvula do depósito de propano. Desligue o regulador. Volte a ligar o regulador e faça um teste de fugas. Ligue a válvula do depósito de gás, aguarde 30 segundos e acenda o forno.
As chamas apagam-se	<ol style="list-style-type: none">1. Ventos fortes ou rajadas2. Pouco gás propano	<ol style="list-style-type: none">1. Vire a frente do forno para longe do vento2. Abasteça o depósito de gás3. Consulte "Queda repentina no fluxo de gás" acima
Reacendimento	<ol style="list-style-type: none">1. Gordura acumulada2. Excesso de gordura na carne3. Temperatura de cozedura excessiva4. Excesso de farinha na superfície de cozedura	<ol style="list-style-type: none">1. Limpe o forno2. Apare as gorduras da carne antes de cozinhar3. Ajuste a temperatura (reduzindo-a), conforme necessário4. Remova a farinha em excesso da superfície de cozedura
Flashback (fogo no tubo do bico, som estridente do bico)	<ol style="list-style-type: none">1. O bico de gás ou os tubos do bico estão bloqueados2. Queda de pressão durante a injeção3. O forno está virado de frente para ventos fortes	<ol style="list-style-type: none">1. Desligue o botão de controlo do gás. Limpe o bico e/ ou os tubos do bico.2. Desligue o forno, verifique se a válvula do depósito está totalmente aberta (se aplicável) e volte a acender.3. Afaste a frente do forno do vento, quando estiver a arrefecer.

LP GASDRIVEN PIZZAUGN - BRUKSANVISNING

VARNING

⚠ VARNING

För att minska brandrisken och risken för brännskador eller andra skador, vänligen läs noggrant igenom bruksanvisningarna innan du använder enheten.

⚠ VARNING

Innan rengöring, vänligen säkerställ att gastillförseln är avstängd och att knappen är vriden till AV samt att brännaren och ugnen har svalnat.

⚠ VARNING

Lämna aldrig ugnen oövervakad. Om brand uppstår, stanna på behörigt avstånd från ugnen och ring omedelbart brandkåren. Försök aldrig att släcka en eld med olja eller fett med hjälp av vatten.

Om du inte följer dessa anvisningar kan detta orsaka brand, explosion eller fara för brännskador, skador på egendom, personskador eller dödsfall.

⚠ VARNING

Använd på ett väl ventilerat ställe.

⚠ FARA

Om du känner lukten av gas:

- Stäng av gastillförseln till ugnen
- Släck eventuell låga
- Om lukten inte avtar, håll behörigt avstånd från ugnen och ring omedelbart din gasleverantör eller brandkåren.

⚠ VARNING

- Håll slangens förbränsletillförsel borta från uppvärmda ytor.
- Att dricka alkohol eller ta icke-receptbelagda mediciner kan påverka användarens förmåga att montera enheten eller att använda den på ett säkert sätt.
- Håll alltid enheten på behörigt avstånd från barn och djur.
- Flytta inte enheten när den används.
- Denna enhet är inte ämnad att användas som värmeelement.

⚠ VARNING

Stäng av gasförsörjningen vid gascylindern efter användning.

⚠ VARNING

Denna apparat måste hållas borta från brandfarliga material under användning.

⚠ VARNING

Spindlar och andra insekter kan bygga bon i enhetens brännare och orsaka störningar i gasflödet. Vänligen inspektera brännaren minst en gång om året.

⚠ VARNING

När tändstickor används för att tända enheten, använd den inkluderade hållaren för tändstickor.

⚠ VARNING

Förvara inte enheten inomhus om gasbehållaren inte har kopplats bort.

⚠ VARNING

Förvara inte gasbehållaren i en byggnad, i ett garage eller på en annan instängd plats. Förvara utom syn- och räckhåll för barn.

⚠ VARNING

Denna enhet skall inte installeras i husbilar, på båtar eller liknande.

⚠ VARNING

Kontrollera alla delar av gasanordningen innan varje användning. Använd inte enheten om inte alla kopplingar har kontrollerats och du har sett till att de inte läcker.

⚠ VARNING

Rök inte när du kontrollerar efter läckor. Leta aldrig efter läckor med en låga.

⚠ VARNING

När enheten tänds, håll ansikte och händer så långt ifrån ugnen som möjligt.

⚠ VARNING

Minsta avstånd från ugnens sidor till antändlig konstruktion är 609 mm.

Minsta avstånd från ugnens baksida till antändlig konstruktion är 914 cm.

⚠ VARNING

Modifiera inte apparaten.

- Delarna som har förseglats av tillverkaren bör ej justeras av användaren.
- När enheten använder LGA A så skall en LPG-cylinder användas.
- LPG-cylinders storlek: max diameter - 350 mm, max höjd - 400 mm.
- Enheten skall installeras med tillräcklig ventilering för att förhindra för hög koncentration av skadliga ämnen i rummet där enheten installeras.
- Minsta avstånd mellan enheten och vägg är 0,5 m.
- Slangen för enheten skall ej vara längre än 1,5 m.
- Enheten skall installeras i ett rum med tillräcklig ventilering. Ett permanent flöde av frisk luft skall säkerställas, och oönskade gaser skall ej kunna byggas upp.
- Slangen för gastillförsel skall följa gällande nationella riktlinjer och skall regelbundet inspekteras och ersättas om nödvändigt.
- Slangen skall följa standard EN16436. Regulatorn skall följa standard EN16129.
- Montering av slang och regulator kan i vissa regioner behöva slutföras av slutanvändaren.
- Kontrollera och rengör ugnens insida innan den tänds för att undvika att oljorna från tidigare matlagning antänds.
- Brännarens ventil skall kontrolleras för att säkerställa att det inte finns hinder som skapats av tidigare matlagning.
- Brännarens ventil skall kontrolleras och regelbundet rengöras med en mjuk stålborste.
- Undvik blockeringar och säkerställ korrekt förbränning.

NOMINELL GASFÖRBRUKNING PER TIMME

ooni	Tillverkare: Ooni Limited, Unit 5, Bishopsgate Business Center, 189 West Main Street, Broxburn, Scotland, EH52 5LH				CE 0063-20 0063CT7478	SE
	Modell: Ooni Koda					
Kategori	<input type="checkbox"/> I3+(28-30/37)		<input type="checkbox"/> I3B/P(30)	<input type="checkbox"/> I3B/P(37)	<input type="checkbox"/> I3B/P(50)	
Typ av gas	Butan	Propan	Butan, propan eller en blandning av de två			
Gastruck	28-30 mbar	37 mbar	28-30 mbar	37 mbar	50 mbar	
Total värmeförsel	4.0 kW					
Typ av enhet	A1					
Markering för storlek /injektor	0.75mm/0.75		0.75mm/0.75	0.68mm/0.68	0.64mm/0.64	
Destinationsländer	BE, CH, CZ, ES, FR, GB, IE, IT, LU, PT		DK, EE, FI, IS, IT, NL, NO, SE	PL	AT, CH, DE, SK	
Enheten bör installeras i enlighet med aktuella bestämmelser och bör endast användas på en välventilerad plats. Vänligen se anvisningarna innan installation och användning av enheten.						

INNAN TÄNDNING

Inspektera gasslangen innan gasen slås på. Om det finns tecken på hål, slitage eller skador skall slangen ersättas innan användning. Skruva på reglaget på gasbehållaren. Kontrollera slangen för att se till att det inte finns några läckor. Använd en lösning av tvål och vatten för att göra detta innan ugnen tänds.

Endast tryckreglaget och gasslangen som medföljer enheten skall användas.

LP GASBEHÅLLARE - VARNING

1. Förvara inte extra gasbehållare med flytande propan under eller i närheten av enheten.
2. Fyll aldrig gasbehållaren till mer än 80 procent.
3. Behållare med flytande propan måste ha överfyllnadsskydd - OVERFILL PROTECTION DEVICE (OPD).
4. Om anvisningarna ovan inte följs kan detta orsaka bränder med risk för personskada eller dödsfall.

SÄKERHETSANVISNINGAR FÖR ATT UNDVIKA SKADOR

Om du tar väl hand om din ugn kan du njuta av säker, pålitlig användning. Dock bör den användas med stor försiktighet då ugnen skapar intensiv hetta som kan öka risken för olyckor.

När ugnen används skall grundläggande säkerhetsåtgärder vidtas, såsom (men inte begränsat till):

- Reparera inte ugnen och ersätt inte delar av den såvida detta inte specifikt rekommenderas i dessa anvisningar. All annan service bör utföras av kvalificerad tekniker.
- Barn bör inte lämnas ensamma eller utan uppsikt i området där ugnen används. Låt inte barn sitta, stå eller leka i ugnens närhet.
- Låt aldrig kläder eller andra antändliga saker komma i kontakt med - eller koma för nära - brännare eller heta ytor. Tyg och liknande material kan antändas och orsaka allvarliga personsador.
- Använd lämplig klädsel för säker användning. Lösa plagg eller armar bör aldrig bäras för att använda ugnen. Vissa syntetiska tyg är mycket lättantändliga. De bör inte bäras under användning.
- Värm inte upp stängda behållare med livsmedel, då trycket kan orsaka att de spricker. Lakta alltid försiktighet när brännaren tänds.
- När ugnen används skall det yttre höljet, bakstenen och området runtom ugnen inte vidröras, då de kan bli mycket heta och kan orsaka brännskador.
- Använd inte ugnen för att tillaga mycket fett kött eller andra produkter som kan flamma upp.

LISTA PÅ DELAR

1. Ooni Koda
2. Baksten

MONTERING

Innan montering, vänligen kontrollera att du har alla delar. Om en del saknas eller är skadad, försök inte att montera enheten. Vänligen kontakta kundtjänsten för reservdelar.

MONTERINGSANVISNINGAR

1. Vik upp benen
 2. För in bakstenen
 3. Koppla gasslangen till Ooni Koda
Beroende på din region så kan gasslangen redan vara monterad.
 - 3a. Koppla gasslangen direkt till Ooni Koda
 - 3b i) Koppla ventilen till Ooni Koda
 - 3b ii) Koppla gasslangen till ventilen
- Skruva åt med lämplig skiftnyckel
4. Koppling till gasbehållare

VARNING

- Vänligen håll alltid gasbehållaren upprätt.
- En gasbehållare på 20 pund är 12,2 tum i diameter och 17,9 tum hög.
- Om enheten inte används skall gastillförseln stängas av vid källan.
- Gasbehållaren måste ha en packning som skyddar dess ventil.
- Minsta avstånd mellan enheten och en gasbehållare på 20 pund är 25 tum.

GASREGLAGE FÖR UTEPLATS

Detta är en rundstiftthylsa. Vänligen se till att den svarta brytaren är i vågrät position. Tryck ner knappen under den svarta brytaren och sätt på reglaget på gasbehållaren. Reglaget sitter fast när det låses.

POL GASREGLAGE

Detta reglage skruvas på moturs. Vänligen se till att gasbehållaren är helt avstängd och skruva på reglaget så långt som möjligt på gasbehållaren.

KOPPLA IN BEHÅLLAREN MED FLYTANDE PROPAN

För att koppla in behållaren med flytande propan: Behållarens ventil skall vara AVSTÄNGD. Säkerställ att knappen är AV. Kontrollera ventilens kopplingar, port och montering. Ta bort eventuellt smuts och kontrollera slangen för att se till så att den inte är skadad. När reglaget kopplas till ventilen, använd handen för att skruva åt medurs tills det tar emot. Använd inte skiftnyckel, då detta kan skada anordningen och skapa risk för fara. Öppna ventilen helt genom att vrida den moturs. Innan ugnen tänds, använd tvåligt vatten för att leta efter läckor. Om en läcka hittas, stäng AV behållarens ventil och låt en återförsäljare reparera anordningen. Innan den har repareras skall ugnen inte användas.

KOPPLA UR BEHÅLLAREN MED FLYTANDE PROPAN

Stäng AV ugnen. Se till att behållarens ventil är av/stängd. Koppla ur reglaget från behållaren genom att vrida muttern moturs. Använd locket för behållarens ventil när den inte används, då detta skyddar mot smuts och damm.

SÖK EFTER LÄCKOR

ALLMÄNT

Även om enhetens gaskopplingar kontrolleras innan de packas och skickas så skall en komplett kontroll utföras där enheten installeras. Inför varje användning bör gaskopplingarna kontrolleras med hjälp av processen nedan. Om du känner lukt av gas vid någon tidpunkt bör du omedelbart sluta använda enheten och leta efter läckor i hela systemet.

INNAN KONTROLL

Se till att allt emballage har avlägsnats från enheten. Gör en blandning med en del flytande rengöringsmedel och en del vatten. Du behöver en sprayflaska, borste eller trasa för att applicera lösningen.

KONTROLLERA

Stäng AV gasbehållaren. Vrid ventilen på behållaren för flytande propan moturs för att öppna ventilen. Applicera lösningen av vatten och rengöringsmedel. Bubblor kan ses i lösningen om det finns läckor. Om en läcka upptäcks, stäng omedelbart AV gasen och vrid åt läckande delar. Slå PÅ gasen igen och kontrollera. Om gasen fortsatt läcker från någon del, stäng AV gasen och kontakta kundtjänsten.

BRUKSANVISNINGAR

ANVÄNDA UGNEN

Varje gasbrännare har en kraft på 4.0KW. För att börja: Se till att ugnen har kontrollerats så att det inte finns några läckor och att den placerats på korrekt plats. Ta bort eventuellt emballage. Tänd brännaren med hjälp av ANVISNINGARNA FÖR TÄNDNING nedan.

ANVISNINGAR FÖR TÄNDNING

FÖR ATT TÄNDA BRÄNNAREN

Se till att ugnen är AV och slå sedan PÅ behållaren med flytande propan genom att långsamt vrida moturs. Tryck in och vrid långsamt knappen på ugnen moturs tills du hör ett klick och brännaren tänds. Fortsätt att hålla in knappen i 5 sekunder. Om brännaren inte tänds, stäng AV, vänta 5 minuter och upprepa.

FÖR ATT TÄNDA MED EN TÄNDSTICKA

Om brännaren inte tänds efter flera försök med knappen kan den tändas med en tändsticka.

Om du redan har försökt tända brännaren med knappen, vänta 5 minuter så att all gas skingras.

För in en tändsticka i hållaren för tändstickor, tänd tändstickan och för in den genom ugnens lucka för att nå brännaren.

Tryck ner och vrid långsamt knappen till HI. Brännaren bör omedelbart tändas.

Om brännaren inte tänds inom ett par sekunder, stäng AV med knappen, vänta 5 minuter och försök igen.

UNDERHÅLL

Förvara Ooni Koda utom direkt solljus när ugnen skall förvaras under en längre tid. Ooni Koda bör inte utsättas för dåligt väder, såsom snö, kraftigt regn eller starka vindar.

FELSÖKNING

Problem	Möjlig orsak	Förebyggande/lösning
Brännaren tänds inte	<ol style="list-style-type: none"> Inget gasflöde Kopplande mutter och reglage är inte korrekt sammankopplade Det finns ett hinder för gasflödet Brännaren är inte kopplad till ventilen Felaktig montering 	<ol style="list-style-type: none"> Kontrollera om behållaren med propan är tom Vrid muttern ett halvt till trekvarts extra varv tills den sitter fast. Vrid endast för hand - använd inte verktyg Rensa slangen till brännaren Koppla samman brännaren och ventilen igen Gå igenom stegen i anvisningarna för montering
Plötslig minskning av gasflödet eller liten låga	<ol style="list-style-type: none"> Slut på gas 	<ol style="list-style-type: none"> Kontrollera om det finns gas i behållaren Stäng av gasen, vänta 30 sekunder och tänd sedan ugnen. Om lågan fortfarande är låg, stäng av ugnen och behållaren för propan. Koppla ur reglaget. Koppla i reglaget igen och kontrollera så att det inte finns några läckor. Slå på gasen från behållaren, vänta 30 sekunder och tänd sedan ugnen.
Lågan släcks	<ol style="list-style-type: none"> Mycket starka vindar eller ilar Låg nivå av propan 	<ol style="list-style-type: none"> Vrid ugnens främre bort från vinden Fyll på behållaren med propan Se "Plötslig minskning av gasflödet" ovan
Flammar upp	<ol style="list-style-type: none"> Uppbyggnad av fett Kött med mycket fett För hög temperatur för matlagning För mycket mjöl på ytan 	<ol style="list-style-type: none"> Rengör ugnen Skär bort fett från kött innan det tillagas Justera (minska) temperaturen Borsta bort överflödigt mjöl
Bakslag (eld i brännarens slang, oväsen från brännaren)	<ol style="list-style-type: none"> Bloccering i brännaren och/eller brännarens rör Minskat tryck vid tändning Stark blåst 	<ol style="list-style-type: none"> Stäng av gasen. Rengör brännaren och/eller röret. Stäng av ugnen, säkerställ att ventilen till gasbehållaren är helt öppen (om tillämpligt) och tänd igen. Vrid ugnens främre bort från vinden när den har svalnat.

Låt Ooni Koda svalna helt innan ugnen flyttas.

Ooni Kodas yttre kan blekas med tiden och med användning. Detta påverkar inte ugnens prestanda.

BAKSTEN

- ANVÄND INTE bakstenen över en öppen låga.
- Undvik extrema temperaturförändringar. Placera INTE fryst mat på en het sten.
- Stenen är ömtålig och kan gå sönder om den tappas eller utsätts för stötar.
- Stenen blir mycket het under användning, och håller sig varm under en lång tid.
- Kyl INTE stenen med vatten när den är varm.
- När stenen har rengjorts med vatten, vänligen torka den innan användning. Detta kan göras i en vanlig ugn vid 60°C (140°F) i två timmar.

HE

(מדריך משתמש תנור פיצה מופעל בגפ"מ (גז פחממני מעובה; גז בישול

אזהרה

⚠ אזהרה

עכבישים וחרקים יכולים לקנן בתוך המבער של המכשיר ולהפריע בכך לאספקת הגז. בדקו את המבער פעם בשנה לפחות.

⚠ אזהרה

בעת הדלקת המכשיר בעזרת גפרור, ודאו שאתם משתמשים במחזיק הגפרורים.

⚠ אזהרה

אל תאחסנו מכשיר זה בתוך מבנה, אלא אם מכל הגז מנותק.

⚠ אזהרה

אל תאחסנו את מכל הגז בתוך מבנה, מחסן או מקום סגור והרחיקו אותו מהישג ידם של ילדים.

⚠ אזהרה

מכשיר זה אינו מיועד להתקנה בתוך או על סירות ו/או מכוניות.

⚠ אזהרה

בדקו שחיבורי הגז אינם דולפים לפני כל שימוש. השתמשו במכשיר רק לאחר שכל החיבורים נבדקו ואינם דולפים.

⚠ אזהרה

אל תעשנו בזמן איתור דליפות. לעולם אל תאתרו דליפות בעזרת להבה.

⚠ אזהרה

בעת הדלקה, הרחיקו ככל האפשר את פנים וידיכם מהמכשיר.

⚠ אזהרה

המרחק המינימלי בין צדי היחידה למבנה דליק הוא 906 מ"מ (42 אינץ'). המרחק המינימלי בין אחורי היחידה למבנה דליק הוא 419 מ"מ (63 אינץ').

⚠ אזהרה

כבה את אספקת הגז בבלייל הגז לאחר השימוש.

⚠ אזהרה

יש להרחיק מכשיר זה מחומרים דליקים במהלך השימוש.

⚠ אזהרה

אל תשנה את המכשיר.

⚠ אזהרה

כדי להקטין סיכויים לשריפה, כוויה, או פציעה אחרת, יש לקרוא בתשומת-לב את כל מדריך הבטיחות הזה.

⚠ אזהרה

לפני ניקוי, יש לוודא שאספקת הגז וכפתור החוגה מכוונים למצב סגור ושהתנור והמבער התקררו.

⚠ אזהרה

לעולם אל תפעילו את המכשיר ללא השגחה. אם נגרמת שריפה, יש להתרחק מהמכשיר ולהזעיק מיידי את יחידת כבוי האש. אל תנסו לכבות שריפת שמן או גריז באמצעות מים. א-הקפדה על מילוי הוראות אלו עלול לגרום לשריפה, פיצוץ או כוויות שעלולים לגרום נזק לרכוש, לפציעות דני-אדם ואף למוות.

⚠ אזהרה

לשימוש חוץ בלבד

⚠ סכנה

אם יש ריח גז:

סגרו את אספקת הגז למכשיר

כבו להבות גלויות

אם הריח קיים עדיין, התרחקו מהמכשיר והתקשרו מיידי לספק הגז או ליחידת כבוי האש.

⚠ אזהרה

- הרחיקו את צינור אספקת הגז מכל משטח חם.
 - שימוש באלכוהול, סמים או תרופות יכולים לפגוע ביכולת הצרכן להרכיב ולהפעיל את המכשיר בצורה נכונה ובטוחה.
 - הרחיקו תמיד ילדים וחיות-מחמד מהמכשיר.
 - אל תזיזו את המכשיר כשהוא פועל.
- ה. המכשיר לא תונק כתנור חימום ואין להשתמש בו ככזה.

אזהרה

בדקו את צינור אספקת הגז לפני הדלקת הגז. אם ניתן לראות חתך, בלאי או שחיקה חובה להחליפו לפני השימוש. הברגו את הווסת למכל הגז. אתרו דליפות בחיבורי הצינור והווסת לפני הדלקת המכשיר בעזרת תמיסת סבון ומים.

יש להשתמש אך ורק בווסת הלחץ ובחלקי צינור הגז שמצורפים למכשיר זה.

אזהרה בקשר למכל הגז (גז ביטול) ⚠

- אל תשמרו מכל גז חלופי מתחת או בקרבת מכשיר זה.
- לעולם אל תמלאו את המכל מעבר ל-80 אחוז מהקיבולת.
- (OPD) מכל גז חייב בהתקן הגנה מפני מילוי-יתר.
- אי-מילוי ההנחיות הקודמות במדויק עלול לגרום לפריצת שריפה שתגרום למוות או לפציעה חמורה.

כללי-בטיחות למניעת פגיעה

עם טיפול נכון, התנור יפעל בצורה בטוחה ואמינה. עם זאת, יש לנקוט בזהירות רבה מכיוון שהתנור פולט חום רב שיכול להעלות את הסיכוי לתאונות.

השימוש בתנור זה מחייב לעקוב אחר כללי-טיפול הכלליים, בין היתר, את הכללים הבאים:

אל תחליפו או תתקנו חלק כלשהו בתנור, אלא אם כן מדרוך זה המליץ על-כך במפורש. טיפולים אחרים יש להפנות לטכנאי מוסמך - אין להשאיר ילדים לבד או ללא השגחה באזור בו משתמשים בתנור. אף פעם אל תרשו לילדים לשבת, לעמוד או לשחק בקרבת - התנור.

אל תאפשרו לבגדים או חומרים דליקים אחרים לבוא במגע או להיות קרובים מאוד למבער או למשטח חם לפני שאלו התקררו. הבד - עלול להתלקח ולגרום לפגיעת-גוף חמורה.

לבטחונכם האישי, לבשו ביגוד מתאים. אין ללבוש שרוולים או פריטי-לבוש שנעים בחופשיות כשמשתמשים בתנור. חלק מהבדים - הסינתטיים דליקים מאוד ויש להימנע מללבוש אותם בזמן שמבשלים.

אין לחמם קופסאות אוכל מכיוון שלחץ מצטבר עלול לגרום לקופסאות להתפוצץ. בעת הדלקת המבער, התרכזו תמיד במה שאתם - עושים.

עם השימוש בתנור, אל תיגעו במעטפת החיצונית, בלוח האפייה מאבן או בקרבתם מכיוון שמקומות אלו מתחממים מאוד ויכולים - לגרום כוויות.

אל תשתמשו בתנור כדי לבשל בשרים שומניים מאוד או מוצרים אחרים שמעודדים התפרצות של אש -

שמרו על סביבת התנור נקייה מחומרים מתלקחים כולל נוזלים, אשפה ואדים של דלק או נוזל הצתה, למשל -

אל תחסמו את זרימת האוויר לבעירה ולאיוורור -

אל תשתמשו בתנור במצבים בהם נושבת רוח חזקה במיוחד -

אין לבצע שינויים או התאמות בחלקים שנאטמו על-ידי היצרן.

כשהמכשיר משתמש בגז מ"מ יש להשתמש במכל גז מ"מ.

מידות מיכל גז מ"מ: קוטר מירבי - 350 מ"מ, גובה מירבי - 400 מ"מ.

יש להתקין את המכשיר במקום מאוורר מספיק כדי למנוע מקרה של הצטברות חריגה של חומרים מזיקים לבריאות בחדר בו מותקן המכשיר.

המרחק המינימלי לקיר סמוך הוא 0.5 מ'.

אורך הצינור למכשיר צריך להיות עד 1.5 מ'.

המכשיר צריך להיות מותקן בחדר מאוורר בהתאם.

יש לוודא שאוויר צח מגיע באופן שוטף ושאינן הצטברות של גזים שלא בערו.

צנרת וצינור אספקת הגז יעמדו בדרישות המחייבות במדינה, ייבדקו לעתים ויוחלפו בעת הצורך.

EN16129 הווסת צריך לעמוד בתקן **EN16436** הצינור צריך לעמוד בתקן.

יתכן ובאזורים מסויימים הצינור ויחידת הווסת לא יסופקו עם המכשיר.

בדקו ונקו באופן נאות את פנים התנור לפני הדלקתו כדי למנוע התפרצות אש משמנים שהצטברו מבישולים קודמים.

יש לבדוק שפתחי-המבער אינם חסומים מבישולים קודמים.

יש לבדוק שפתחי המבער אינם חסומים ולנקות אותם באופן קבוע בעזרת מברשת-תיל עדינה.

יש למנוע חסימות ולאפשר בעירה טובה.

צריכת גז מוצהרת לשעה

ooni	Manufacturer: Ooni Limited, Unit 5, Bishopsgate Business Center, 189 West Main Street, Broxburn, Scotland, EH52 5LH		CE	0063-20 0063CT7478	EN
	Model: Ooni Koda				
Category	<input type="checkbox"/> I3+(28-30/37)	<input type="checkbox"/> I3B/P(30)	<input type="checkbox"/> I3B/P(37)	<input type="checkbox"/> I3B/P(50)	
Type of gas	Butane	Propane	Butane, propane or their mixture		
Gas pressure	28-30 mbar	37 mbar	28-30 mbar	37 mbar	50 mbar
Total heat input	4.0 kW				
Appliance type	A1				
Injector size/markings	0.75mm/0.75	0.75mm/0.75	0.68mm/0.68	0.64mm/0.64	
Destination countries	BE, CH, CZ, ES, FR, GB, IE, IT, LU, PT		DK, EE, FI, IS, IT, NL, NO, SE	PL	AT, CH, DE
This appliance shall be installed in conformity with the current regulations and used only in a well-ventilated location. Consult the instructions before installing and using this appliance.					

כסו את שסתום המכל במכסה נגד אבק כשהמכל אינו בשימוש
בדיקה לאיתור דליפות כללי

למרות שחיבורי הגז של המכשיר נבדקו לפני האריזה והמשלוח, חובה לבצע בדיקה מקיפה במקום ההתקנה לפני כל שימוש, בדקו את כל חיבורי הגז בניסיון לאתר דליפות בעזרת הנחיות שמופיעות מטה. אם מופיע ריח של גז בכל זמן נתון, הפסיקו את השימוש ואתרו דליפות בכל המערכת.

לפני הבדיקה

ודאו שכל חומרי האריזה הוסרו מהמכשיר הכינו תמיסה שחציה סבון נוזלי וחציה מים. תצטרכו בקבוק תרסיס, מברשת או מטלית כדי למרוח את התמיסה על-גבי החיבורים

בדיקה

סובבו את כפתור החוגה למצב סגור
סובבו את שסתום מכל הגפ"מ נגד כיוון השעון כדי לפתוח את השסתום
מרוחו את תמיסת הסבון על כל חיבורי הגז. יופיעו בועות סבון במקומות בהם יש דליפה
אם יש דליפה, סגרו מיד את אספקת הגז וצרו קשר עם שירות-לקוחות

הוראות הפעלה

שימוש בתנור
הספק כל מבער מדורג כ-4 קילואט
כדי להתחיל
ודאו שהתנור נבדק לאיתור דליפות וממוקם נכון הסירו כל שאריות חומרי האריזה
הדליקו את המבער לפי הנחיות הדלקה המופיעות מטה

הנחיות הדלקה הדלקת המבער

ודאו שכפתור החוגה במצב סגור, ואז פתחו את השסתום של מכל הגפ"מ על-ידי סיבוב נגד כיוון-השעון
לחצו פנימה וסובבו לאט את כפתור החוגה נגד כיוון השעון עד שתשמעו קליק והמבער יוצת
המשיכו ללחוץ פנימה את כפתור החוגה במשך 5 שניות
אם המבער לא מוצת, גרו את כפתור החוגה, חכו 5 דקות וחזרו על פעולת ההדלקה

הדלקה בעזרת גפרור

אם המבער אינו מוצת אחרי כמה ניסיונות הדלקה בעזרת כפתור החוגה, ניתן להצית את המבער בעזרת גפרור
אם ניסיתם כבר להצית את המבער בעזרת כפתור החוגה, חכו 5 דקות כדי לאפשר לגזים להתפזר
הכניסו גפרור לתוך מחזיק הגפרורים, הציתו את הגפרור והכניסו דרך פתח התנור כדי להגיע למבער
לחצו וסובבו את כפתור החוגה באיטיות לאש גדולה; המבער אמור להידלק מייד
אם המבער לא דלק לאחר כמה שניות, סובבו את כפתור החוגה למצב סגור, חכו 5 דקות ונסו שוב

טיפול ותחזוקה

הרחק מאור שמש ישיר ובמבנה סגור Ooni Koda אחסנו את כשמתאפשר וכשמאחסנים אותו לתקופות ארוכות. יש להימנע לתנאי מזג-אוויר קשים כמו שלג, Ooni Koda מלחשוף את גשם כבד ורוחות חזקות
יתקרו לגמרי לפני הזזת Ooni Koda-המתניו ש
דהדה עם הזמן ועם Ooni Koda יתכן והמעטפת החיצונית של השימוש. זה לא ישיפע על הביצועים

משתמ

- Ooni Koda
- לוח אפיייה מאבן

הרכבה

לפני ההרכבה, ודאו שכל החלקים נמצאים. אם חלק כלשהו חסר או פגום, אל תנסו להרכיב את המכשיר. צרו קשר עם שירות הלקוחות בנושא חלקי-חילוף

הוראות הרכבה

- קפלו את הרגליות

- הכניסו את לוח האפיייה מאבן
- Ooni Koda-חיבור צינור הגז ל
- בארצות מסויימות ייתכן שהצינור כבר מחובר Ooni Koda-א. חיבור צינור הגז ישירות ל3 Ooni Koda-ב.1. חיבור המחבר ל3
- ב.2. חיבור צינור הגז למחבר3
- חזקו עם מפתחות-ברגים מתאימים
- חיבור למכל הגז

אזהרה

הקפידו שמכל הגז יעמוד ישר -
מידות מכל גז בגודל 9 ק"ג הם קטר 31 ס"מ וגובה 45.5 -
ס"מ
אם המכשיר לא בשימוש, חובה לסגור את הגז בברז -
האספקה
הברז חייב לכלול צווארון להגנת השסתום -
המרחק המינימלי בין המכשיר למכל הגז הוא 1 מטר לפחות -

Patio וסו גז מסוג

זהו חיבור שמתחבר בלחיצה מלמעלה. ודאו שהמפסק השחור במצב אופקי. הכניסו פנימה את הכפתור שממוקם מתחת למפסק השחור ולחצו את הווסת על שסתום המכל עד שהוא ננעל במקומו

POL וסו גז מסוג

לפני ההרכבה, ודאו שכל החלקים נמצאים. אם חלק כלשהו חסר או פגום, אל תנסו להרכיב את המכשיר. צרו קשר עם ש

חיבור מכל הגפ"מ

כדי לחבר את מכל הגפ"מ שסתום המכל צריך להיות סגור
ודאו שכפתור החוגה סגור
בדקו את חיבורי השסתום, מחבר הצינור ויחידת הווסת. הסירו לכלוך ובדקו שהצינור אינו פגום
בזמן חיבור הווסת לשסתום, חזקו את האום בעזרת הידיים עם כיוון השעון עד שהוא נעצר. שימוש במפתח-ברגים יכול להזיק לאום הצימוד המהיר ולגרום למצב מסוכן
פתחו את שסתום המכל לגמרי על-ידי סיבובו נגד כיוון-השעון לפני הדלקת התנור, השתמשו בתמיסת סבון ומים כדי לבדוק אם יש דליפה מחיבור כלשהו
אם נמצאה דליפה, סגרו את שסתום המכל, ואל תשתמשו בתנור עד שספק הגז המקומי יוכל לבצע תיקונים

ניתוק של מכל הגפ"מ

סגרו את כפתור החוגה של התנור
ודאו ששסתום המכל נמצא במצב סגור
נתקו את יחידת הווסת משסתום המכל על-ידי סיבוב מחבר האום נגד כיוון השעון

כסו את שסתום המכל במכסה נגד אבק כשהמכל אינו בשימוש
בדיקה לאיתור דליפות כללי

למרות שחיבורי הגז של המכשיר נבדקו לפני האריזה והמשלוח, חובה לבצע בדיקה מקיפה במקום ההתקנה לפני כל שימוש, בדקו את כל חיבורי הגז בניסיון לאתר דליפות בעזרת הנחיות שמופיעות מטה. אם מופיע ריח של גז בכל זמן נתון, הפסיקו את השימוש ואתרו דליפות בכל המערכת.

לפני הבדיקה

ודאו שכל חומרי האריזה הוסרו מהמכשיר הכינו תמיסה שחציה סבון נוזלי וחציה מים. תצטרכו בקבוק תרסיס, מברשת או מטלית כדי למרוח את התמיסה על-גבי החיבורים

בדיקה

סובבו את כפתור החוגה למצב סגור
סובבו את שסתום מכל הגפ"מ נגד כיוון השעון כדי לפתוח את השסתום
מרוחו את תמיסת הסבון על כל חיבורי הגז. יופיעו בועות סבון במקומות בהם יש דליפה
אם יש דליפה, סגרו מיד את אספקת הגז וצרו קשר עם שירות-לקוחות

הוראות הפעלה

שימוש בתנור
הספק כל מבער מדורג כ-4 קילואט
כדי להתחיל
ודאו שהתנור נבדק לאיתור דליפות וממוקם נכון הסירו כל שאריות חומרי האריזה
הדליקו את המבער לפי הנחיות הדלקה המופיעות מטה

הנחיות הדלקה הדלקת המבער

ודאו שכפתור החוגה במצב סגור, ואז פתחו את השסתום של מכל הגפ"מ על-ידי סיבוב נגד כיוון-השעון
לחצו פנימה וסובבו לאט את כפתור החוגה נגד כיוון השעון עד שתשמעו קליק והמבער יוצת
המשיכו ללחוץ פנימה את כפתור החוגה במשך 5 שניות
אם המבער לא מוצת, גרו את כפתור החוגה, חכו 5 דקות וחזרו על פעולת ההדלקה

הדלקה בעזרת גפרור

אם המבער אינו מוצת אחרי כמה ניסיונות הדלקה בעזרת כפתור החוגה, ניתן להצית את המבער בעזרת גפרור
אם ניסיתם כבר להצית את המבער בעזרת כפתור החוגה, חכו 5 דקות כדי לאפשר לגזים להתפזר
הכניסו גפרור לתוך מחזיק הגפרורים, הציתו את הגפרור והכניסו דרך פתח התנור כדי להגיע למבער
לחצו וסובבו את כפתור החוגה באיטיות לאש גדולה; המבער אמור להידלק מייד
אם המבער לא דלק לאחר כמה שניות, סובבו את כפתור החוגה למצב סגור, חכו 5 דקות ונסו שוב

טיפול ותחזוקה

הרחק מאור שמש ישיר ובמבנה סגור Ooni Koda אחסנו את כשמתאפשר וכשמאחסנים אותו לתקופות ארוכות. יש להימנע לתנאי מזג-אוויר קשים כמו שלג, Ooni Koda מלחשוף את גשם כבד ורוחות חזקות
יתקרו לגמרי לפני הזזת Ooni Koda-המתניו ש
דהדה עם הזמן ועם Ooni Koda יתכן והמעטפת החיצונית של השימוש. זה לא ישיפע על הביצועים

משתמ

- Ooni Koda
- לוח אפיייה מאבן

הרכבה

לפני ההרכבה, ודאו שכל החלקים נמצאים. אם חלק כלשהו חסר או פגום, אל תנסו להרכיב את המכשיר. צרו קשר עם שירות הלקוחות בנושא חלקי-חילוף

הוראות הרכבה

- קפלו את הרגליות

- הכניסו את לוח האפיייה מאבן
- Ooni Koda-חיבור צינור הגז ל
- בארצות מסויימות ייתכן שהצינור כבר מחובר Ooni Koda-א. חיבור צינור הגז ישירות ל3 Ooni Koda-ב.1. חיבור המחבר ל3
- ב.2. חיבור צינור הגז למחבר3
- חזקו עם מפתחות-ברגים מתאימים
- חיבור למכל הגז

אזהרה

הקפידו שמכל הגז יעמוד ישר -
מידות מכל גז בגודל 9 ק"ג הם קטר 31 ס"מ וגובה 45.5 -
ס"מ
אם המכשיר לא בשימוש, חובה לסגור את הגז בברז -
האספקה
הברז חייב לכלול צווארון להגנת השסתום -
המרחק המינימלי בין המכשיר למכל הגז הוא 0.6 מטר -
לפחות

Patio וסו גז מסוג

זהו חיבור שמתחבר בלחיצה מלמעלה. ודאו שהמפסק השחור במצב אופקי. הכניסו פנימה את הכפתור שממוקם מתחת למפסק השחור ולחצו את הווסת על שסתום המכל עד שהוא ננעל במקומו

POL וסו גז מסוג

לפני ההרכבה, ודאו שכל החלקים נמצאים. אם חלק כלשהו חסר או פגום, אל תנסו להרכיב את המכשיר. צרו קשר עם ש

חיבור מכל הגפ"מ

כדי לחבר את מכל הגפ"מ שסתום המכל צריך להיות סגור
ודאו שכפתור החוגה סגור
בדקו את חיבורי השסתום, מחבר הצינור ויחידת הווסת. הסירו לכלוך ובדקו שהצינור אינו פגום
בזמן חיבור הווסת לשסתום, חזקו את האום בעזרת הידיים עם כיוון השעון עד שהוא נעצר. שימוש במפתח-ברגים יכול להזיק לאום הצימוד המהיר ולגרום למצב מסוכן
פתחו את שסתום המכל לגמרי על-ידי סיבובו נגד כיוון-השעון לפני הדלקת התנור, השתמשו בתמיסת סבון ומים כדי לבדוק אם יש דליפה מחיבור כלשהו
אם נמצאה דליפה, סגרו את שסתום המכל, ואל תשתמשו בתנור עד שספק הגז המקומי יוכל לבצע תיקונים

ניתוק של מכל הגפ"מ

סגרו את כפתור החוגה של התנור
ודאו ששסתום המכל נמצא במצב סגור
נתקו את יחידת הווסת משסתום המכל על-ידי סיבוב מחבר האום נגד כיוון השעון

מניעה/פתרון	גורם אפשרי	בעיה
<p>1. בדקו אם מכל הגפ"מ ריק.</p> <p>2. סובבו את אום הצימוד עוד כחצי עד שלוש-רבעי.</p> <p>3. סיבוב עד שהוא נעצר לגמרי. חזקו בעזרת היד בלבד - אל תשתמשו בכלי-עבודה.</p> <p>4. נקו את צינור המבער.</p> <p>5. חברו בין המבער לווסת.</p> <p>6. בדקו את השלבים בהוראות ההרכבה.</p>	<p>1. אין אספקת גז.</p> <p>2. אום הצימוד והווסת לא מחוברים היטב.</p> <p>3. הפרעה בזרימת הגז.</p> <p>4. ניתוק בין המבער לשסתום.</p> <p>5. הרכבה שגויה.</p>	<p>מבער לא נדלק</p>
<p>1. בדקו אם יש גז במכל הגפ"מ.</p> <p>2. סגרו את כפתור החוזה, המתינו 30 שניות והדליקו את התנור. אם הלהבות עדיין קטנות, סגרו את כפתור החוזה ואת השסתום של מכל הגפ"מ. נתקו את הווסת. חברו מחדש את הווסת ונסו לאתר דליפות. פתחו את השסתום של מכל הגפ"מ, המתינו 30 שניות והדליקו את התנור.</p>	<p>1. נגמר הגז.</p>	<p>ירידה פתאומית בזרימת הגז או אש קטנה</p>
<p>1. הפנו את חזית התנור מכיוון הרוח.</p> <p>2. מלאו את מכל הגפ"מ.</p> <p>3. ראו "ירידה פתאומית בזרימת הגז" לעיל.</p>	<p>1. רוחות חזקות.</p> <p>2. גז הפרופן עומד להיגמר.</p>	<p>הלהבות נכבות</p>
<p>1. נקו את התנור.</p> <p>2. הסירו עודפי שומן מהבשר לפני הבישול.</p> <p>3. כונו (הנמיכו) את הטמפרטורה בהתאם.</p> <p>4. טאטאו שאריות קמח ממשטח הבישול.</p>	<p>1. הצטברות של גריז.</p> <p>2. עודפי שומן בבשר.</p> <p>3. טמפרטורת בישול גבוהה מדי.</p> <p>4. יותר מדי קמח על משטח הבישול.</p>	<p>התפרצות אש</p>
<p>1. סגרו את כפתור החוזה. נקו מבער ו/או צינורות מבער.</p> <p>2. כבו את התנור, ודאו ששסתום המכל פתוח לגמרי (אם רלוונטי) והציתו שוב.</p> <p>3. הפנו את חזית-התנור מהרוח לאחר שהתנור התקרר.</p>	<p>1. המבער או צינורות המבער חסומים.</p> <p>2. ירידת לחץ במהלך ההצתה.</p> <p>3. התנור פונה לרוח חזקה.</p>	<p>הצתה מוקדמת (אש בצינור (מבער), רעש חזק ממבער</p>

SL

NAVODILA ZA UPORABO PEČI ZA PICO NA PLIN PROPAN

OPOZORILO

OPOZORILO

Zaradi zmanjšanja tveganja požara, opeklina ali drugih poškodb pred uporabo tega aparata pozorno in v celoti preberite ta varnostna navodila.

OPOZORILO

Pred čiščenjem se prepričajte, da je dovod plina zaprt, da je kontrolni gumb v položaju za izklop, ter da sta gorilnik in peč hladna.

OPOZORILO

Aparat naj nikoli ne deluje brez nadzora. V primeru požara se umaknite od aparata in takoj pokličite gasilce. Gorečega olja ali maščobe ne poskušajte pogasiti z vodo.

Neupoštevanje teh navodil lahko povzroči tveganje požara, eksplozije ali opeklina, katerih posledica so lahko materialna škoda, telesne poškodbe ali smrt.

OPOZORILO

Uporabljajte samo v dobro prezračenih prostorih.

NEVARNOST

Če zavohate plin:

- Prekinite dovod plina v aparatu
- Ugasnite plamen
- Če vonj ne izgine, se umaknite od aparata in takoj pokličite svojega dobavitelja plina ali gasilce.

OPOZORILO

- Cev za dovod plina ne sme biti blizu vročih površin.
- Uživanje alkohola in jemanje zdravil na recept ali brez recepta lahko škodljivo vpliva na sposobnost pravilne montaže aparata ali njegovo varno uporabo.
- Otroci in domače živali naj bodo vedno stran od aparata.
- Aparata med uporabo ne premikajte.
- Aparat ni zasnovan za ogrevanje in ga ne smete nikoli uporabljati za ta namen.

OPOZORILO

V notranjost gorilnika aparata lahko pridejo pajki in žuželke ter ovirajo pretok plina. Gorilnik pregledajte vsaj enkrat letno.

OPOZORILO

Če za prižiganje aparata uporabljate vžigalice, uporabljajte priloženo držalo za vžigalice.

OPOZORILO

Aparata ne pospravljajte v zaprte prostore, razen če je plinska jeklenka odklopljena.

OPOZORILO

Plinske jeklenke ne postavljajte v stavbo, garažo ali drug zaprt prostor. Vedno naj bo zunaj dosega otrok.

OPOZORILO

Aparat ni zasnovan za nameščanje v avtodome in/ali plovila.

OPOZORILO

Pred uporabo preverite zatesnjenost vseh priključkov za dovod plina. Aparata ne uporabljajte, dokler ne preverite vseh priključkov in se prepričate, da nič ne uhaja.

OPOZORILO

Med preverjanjem zatesnjenosti ne kadite. Zatesnjenosti nikoli ne preizkušajte s plamenom.

OPOZORILO

Ko aparat prižgete, naj bodo vaš obraz in roke čim dlje od aparata.

OPOZORILO

Najmanjša razdalja med stranicami aparata in gorljivimi predmeti je 609 mm (24 palcev).

Najmanjša razdalja med zadnjo stranjo aparata in gorljivimi predmeti je 914 mm (36 palcev).

OPOZORILO

Aparat mora biti med uporabo oddaljen od vnetljivih materialov.

OPOZORILO

Aparata ne spreminjajte.

- Uporabnik ne sme posegati v dele, ki jih je vgradil proizvajalec.
- Pri uporabi aparata z zemeljskim plinom je treba uporabljati plinsko jeklenko
- Velikost jeklenke za zemeljski plin: maks. premer 350 mm, maks. višina 400 mm.
- Aparat je treba namestiti na dovolj prezračenem kraju, da se prepreči prevelika koncentracija zdravju škodljivih snovi v prostoru, v katerem se uporablja
- Najmanjša razdalja med aparatom in okoliškimi stenami je 0,5 m
- Gibka cev aparata ne sme biti daljša od 1,5 m
- Aparat je treba namestiti v ustrezno prezračen prostor. S tem se zagotovi stalen dotok svežega zraka, ki preprečuje nabiranje neizgorelih plinov
- Cev za dovod plina ali gibka cev mora biti skladna z veljavnimi nacionalnimi zahtevami in jo je treba občasno preveriti in po potrebi zamenjati.
- Gibka cev mora biti odobrena v skladu s standardom EN16436. Ventil mora biti odobren v skladu s standardom EN16436.
- V nekaterih državah je možno, da gibka cev in ventil nista priložena aparatu.
- Pred prižiganjem skrbno preverite in očistite notranjost peči, da preprečite vžig ostankov olja, ki se je nabralo pri predhodni uporabi.
- Prepričajte se, da se odvodi gorilnika med prejšnjo uporabo niso zamašili.
- Odvode gorilnika je treba pregledovati zaradi morebitne zamašenosti in jih redno čistiti z mehko žičnato krtačo.
- Ključno je preprečiti zamašitev in omogočiti ustrezno gorenje

NAZIVNA PORABA PLINA NA URO

ooni	Proizvajalec: Ooni Limited, Unit 5, Bishopsgate Business Center, 189 West Main Street, Broxburn, Scotland, EH52 5LH		CE	0063-20 0063CT7478	SI
	Model: Ooni Koda				
Kategorija	<input type="checkbox"/> I3+(28-30/37)	<input type="checkbox"/> I3B/P(30)	<input type="checkbox"/> I3B/P(37)	<input type="checkbox"/> I3B/P(50)	
Vrsta plina	Butan	Propan	Butan, propan ali njihova mešanica		
Tlak plina	28-30 mbar	37 mbar	28-30 mbar	37 mbar	50 mbar
Skupna vhodna toplota	4.0 kW				
Vrsta naprave	A1				
Velikost / oznaka injektorja	0.75mm/0.75	0.75mm/0.75	0.68mm/0.68	0.64mm/0.64	
Ciljne države	BE, CH, CZ, ES, FR, GB, IE, IT, LU, PT	DK, EE, FI, IS, IT, NL, NO, SE	PL, SI	AT, CH, DE, SK	
Ta naprava mora biti nameščena v skladu z veljavnimi predpisi in se uporablja samo na dobro prezračenem mestu. Pred namestitvijo in uporabo naprave preberite navodila.					

PRED PRIŽIGANJEM

Pred prižiganjem plina preverite cev za dovod plina. Če opazite špranje ali sledi obrabe, jo je treba pred uporabo zamenjati. Privijte regulator na plinsko jeklenko. Preden prižgete aparat, preverite priključke gibke cevi in regulatorja ter se z milnico prepričajte, da ni uhajanja.

Uporabljajte samo regulator in gibko cev, ki sta priložena aparatu.

! OPOZORILO GLEDE PLINSKE JEKLENKE S PROPANOM

1. Nadomestne plinske jeklenke ne postavljajte pod aparat ali v njegovo bližino.
2. Jeklenke nikoli ne napolnite prek 80 % zmogljivosti.
3. Jeklenka mora biti opremljena z NAPRAVO ZA PREPREČEVANJE PRENAPOLNJENOSTI.
4. Neupoštevanje teh navodil lahko povzroči tveganje požara, katerega posledica je lahko smrt ali hude telesne poškodbe.

VARNOSTNA PRAVILA ZA PREPREČEVANJE POŠKODB

Peč vam ob ustreznem vzdrževanju omogoča varno in zanesljivo delovanje. Morate pa biti izjemno previdni, ker je peč lahko zelo vroča in takrat se lahko poveča tveganje nesreče.

Pri uporabi peči je treba upoštevati določena varnostna pravila, med drugim naslednja:

- Nobenega dela peči ne popravljajte niti ne nadomeščajte, če to ni posebej priporočeno v tem priročniku. Vse druge posege je treba prepustiti usposobljenemu serviserju.
- Nikoli ne puščajte otrok samih ali brez nadzora v bližini delujoče peči. Otrokom nikoli ne dovolite sedeti na peči, plezati nanjo ali se igrati okoli nje.
- Nikoli ne puščajte oblačil niti drugih gorljivih materialov v bližini ali v stiku z vročo površino ali gorilnikom, dokler se ne ohladi. Tkanine se lahko vnamejo in povzročijo hude poškodbe.
- Zaradi osebne varnosti nosite ustrezna oblačila. Med uporabo peči nikoli ne nosite širokih oblačil ali rokavov. Nekatere sintetične tkanine so zelo vnetljive in jih med kuhanjem ne smete nositi.
- Ne pogrevajte zaprtih živilskih posod, ker lahko zaradi povečanja pritiska počijo. Pri prižiganju gorilnika bodite vedno zelo pozorni na to, kar počnete.
- Pri uporabi peči se ne dotikajte zunanosti ohišja ali kamnite kuhalne plošče niti njune okolice, ker tam postane zelo vroče in se lahko poškodujete.
- Peči ne uporabljajte za kuhanje zelo mastnega mesa ali drugih izdelkov, ki spodbujajo gorenje.
- V okolici peči naj ne bo vnetljivih snovi, vključno s tekočinami, odpadki in hlapljivimi snovmi, kot sta bencin ali vžigalna tekočina.
- Nikoli ne ovirajte kroženja zraka ali prezračevanja za gorenje.
- Peči nikoli ne uporabljajte v zelo vetrovnih pogojih.
- Temperatura pod pečjo je visoka. Peči ne postavljajte na mizo, prekrito z vnetljivim prtom, plastiko ali drugimi vnetljivimi materiali.

SEZNAM DELOV

1. Ooni Koda
2. Kamnita kuhalna plošča

MONTAŽA

Pred montažo se prepričajte, da imate vse dele. Če kakšen del manjka ali je poškodovan, aparata ne poskušajte sestaviti. Za pridobitev nadomestnih delov se obrnite na službo za podporo strankam.

NAVODILA ZA MONTAŽO

1. Razklopite noge
2. Vstavite kamnito kuhalno ploščo
3. Priključite gibko cev za plin na peč Ooni Koda
Ovisno od države je lahko gibka cev že predmontirana.
- 3a. Neposredna priključitev gibke cevi za plin na peč Ooni Koda 3b i). Priključitev spojke na peč Ooni Koda 3b ii). Priključitev gibke cevi na spojko
- Zategnite z ustreznimi ključi
4. Priključite na plinsko jeklenko

OPOZORILO

- Plinska jeklenka naj bo vedno pokonci.
- Velikost 9-kilogramske jeklenke za plin propan je 31 cm v širino in 45 cm v višino.
- Ko aparat ne deluje, mora biti plin na jeklenki izklopljen.
- Jeklenka mora imeti objemko za zaščito ventila jeklenke.
- Najkrajša razdalja med aparatom in 9-kilogramsko jeklenko je 0,6 metra.

PLINSKI REGULATOR NASADNEGA TIPA

Ta regulator ima priključek za natikanje. Prepričajte se, da je črno stikalo v vodoravnem položaju. Pritisnite gumb pod črnim stikalom in potisnite regulator na ventil jeklenke, dokler se ne zaskoči.

PLINSKI REGULATOR POL

Ta regulator se priključi v nasprotni smeri urinega kazalca. Prepričajte se, da je plinska jeklenka povsem zaprta in regulator do konca privijete na ventil jeklenke.

PRIKLJUČITEV PLINSKE JEKLENKE S PROPANOM

Plinsko jeklenko s propanom priključite tako:
Ventil jeklenke mora biti zaprt.

Prepričajte se, da je kontrolni gumb v položaju za izklop. Preverite priključke ventila, odprtino in montažo regulatorja. Odstranite morebitne delce in se prepričajte, da gibka cev ni poškodovana.

Pri priključevanju regulatorja na ventil ročno privijete matico v smeri urnega kazalca, dokler se ne ustavi. Uporaba ključa lahko poškoduje matico in povzroči nevarnost nesreče.

Do konca odprite ventil jeklenke, tako da ga obrnete v nasprotni smeri urinega kazalca.

Pred prižiganjem peči uporabite milnico, da se prepričate, da noben priključek ne pušča.

Če odkrijete puščanje, zaprite ventil jeklenke in peči ne uporabljajte, dokler vaš dobavitelj propana ne izvede potrebnih

popravlil.

ODKLOP PLINSKE JEKLENKE S PROPANOM

Kontrolni gumb peči obrnite v položaj za izklop. Prepričajte se, da je ventil jeklenke v položaju zaprt. Odklopite regulator ventila jeklenke, tako da priklopno matico obrnete v nasprotni smeri urinega kazalca. Če jeklenke ne uporabljate, na ventil jeklenke vedno namestite protiprašno kapico.

ODKRIVANJE UHAJANJA

SPLOŠNO

Čeprav se plinski priključki aparata preskusijo proti uhajanju pred pakiranjem in odpremo, je treba na kraju namestitve opraviti celovit preskus.

Pred vsako uporabo preverite tesnjenje vseh plinskih priključkov po spodaj opisanem postopku. Če kadar koli zavohate vonj po plinu, morate takoj prenehati z uporabo in preveriti tesnjenje celotnega sistema.

PRED PRESKUŠANJEM

Prepričajte se, da je vsa embalaža odstranjena iz aparata. Pripravite milnico iz enakega deleža tekočega detergenta in vode. Potrebno boste steklenico z razpršilom, čopič ali krpo za nanos milnice na priključke.

IZVEDBA PRESKUSA

Kontrolni gumb peči obrnite v položaj za izklop. Odprite ventil jeklenke, tako da ga obrnete v nasprotni smeri urinega kazalca. Nanesite milnico na vse plinske priključke. V primeru uhajanja boste opazili milne mehurčke. Če odkrijete uhajanje, takoj prekinite dovajanje plina in znova privijete priključke, ki puščajo. Znova odprite ventil in spet preverite. Če plin iz enega od priključkov še naprej uhaja, prekinite dovod plina in se obrnite na službo za podporo strankam.

NAVODILA ZA UPORABO

UPORABA PEČI

Nazivna moč vsakega gorilnika je 4 kW.

Za začetek:

Poskrbite, da peč preskusite proti uhajanju in jo pravilno namestite.

Odstranite vso embalažo.

Prižgite gorilnik, pri čemer upoštevajte spodnja NAVODILA ZA PRIŽIGANJE.

NAVODILA ZA PRIŽIGANJE

PRIŽIGANJE GORILNIKA

Prepričajte se, da je kontrolni gumb v položaju za izklop, nato odprite ventil jeklenke s propanom, tako da ga počasi obrnete v nasprotni smeri urinega kazalca.

Potisnite in počasi obrnite kontrolni gumb pečice v nasprotni smeri urinega kazalca, dokler ne zaslišite klika in se gorilnik prižge.

Kontrolni gumb pritiskajte 5 sekund.

Če se gorilnik ne prižge, obrnite gumb v položaj za izklop, počakajte 5 minut in ponovite prižiganje.

PRIŽIGANJE Z VŽIGALICO

Če se gorilnik tudi po več poskusih s kontrolnim gumbom ne prižge, se lahko prižge z vžigalico.

Če ste gorilnik že poskušali prižgati s kontrolnim gumbom, počakajte 5 minut, da se plin razprši.

Vstavite vžigalico v držalo za vžigalice. Prižgite vžigalico in jo vstavite v odprtino peči za prižiganje gorilnika.

Potisnite in počasi obrnite kontrolni gumb v položaj HI: gorilnik bi se moral takoj prižgati.

Če se gorilnik v nekaj sekundah ne prižge, obrnite gumb v položaj za izklop, počakajte 5 minut in poskusite znova.

NEGA IN VZDRŽEVANJE

ODPRAVLJANJE TEŽAV

Težava	Možen vzrok	Preprečitev/odprava
Gorilnik se ne prižge	<ol style="list-style-type: none">1. Ni plina2. Spojna matica in regulator nista ustrezno priključena3. Pretok plina je oviran4. Gorilnik je odklopljen od ventila5. Nepravilna montaža	<ol style="list-style-type: none">1. Preverite, ali je jeklenka s propanom prazna2. Obrnite spojno matico še za približno polovico do treh četrtih kroga, da se povsem ustavi. Zategnite samo ročno - ne uporabljajte orodja3. Očistite cev gorilnika4. Znova povežite gorilnik in ventil5. Preverite korake v navodilih za montažo
Nenaden upad pretoka plina ali šibak plamen	<ol style="list-style-type: none">1. Zmanjkalo je plina	<ol style="list-style-type: none">1. Preverite, ali je v jeklenki s propanom še kaj plina2. Izklopite kontrolni gumb za plin, počakajte 30 sekund in znova prižgite peč. Če so plameni še vedno šibki, izklopite kontrolni gumb za plin in ventil jeklenke s propanom. Odklopite regulator. Znova priključite regulator in izvedite preskus tesnjenja. Vključite ventil na jeklenki s propanom, počakajte 30 sekund in nato prižgite peč.
Plamen ugasne	<ol style="list-style-type: none">1. Močan ali sunkovit veter2. Nizka raven propana	<ol style="list-style-type: none">1. Peč postavite v zavetrje2. Napolnite jeklenko s propanom3. Glejte »Nenaden upad pretoka plina« zgoraj
Žganje	<ol style="list-style-type: none">1. Nakopičena maščoba2. Premastno meso3. Previsoka temperatura kuhanja4. Preveč moke na kuhalni površini	<ol style="list-style-type: none">1. Očistite peč2. Pred kuhanjem odstranite maščobo z mesa3. Ustrezno nastavite (znižajte) temperaturo4. Odstranite ostanke moke s kuhalne površine
Povratni plamen (ogelj v cevi gorilnika, ropotanje gorilnika)	<ol style="list-style-type: none">1. Gorilnik in/ali cevi gorilnika so zamašene2. Padec pritiska med prižiganjem3. Peč je obrnjena proti vetru	<ol style="list-style-type: none">1. Zaprite ventil za dovod plina. Očistite gorilnik in/ali cevi gorilnika.2. Ugasnite peč, prepričajte se, da je ventil jeklenke popolnoma odprt (po potrebi) in znova prižgite.3. Ko se peč ohladi, jo postavite v zavetrje.

Peč Ooni Koda ne shranjujte na neposredni sončni svetlobi, kadar jo shranjujete dalj časa, pa naj bo po možnosti v zaprtem prostoru.

Peči Ooni Koda ne smete izpostavljati vremenskim razmeram kot so sneg, dež in močan veter.

Pred premikanjem peči Ooni Koda počakajte, da se povsem ohladi.

Barva zunanjega ohišja peči Ooni Koda se lahko sčasoma in z uporabo spremeni.

To ne vpliva na njeno delovanje.

KAMNITA KUHALNA PLOŠČA

1. Kamna NE uporabljajte na plamenu.
2. Izgibajte se velikim spremembam temperature kamna. Na vroč kamen NE postavljajte zamrznjenih živil.
3. Kamen je krhek in se lahko ob udarcu ali padcu zlomi.
4. Kamen je med uporabo zelo vroč in ostane vroč še dolgo po uporabi.
5. Vročega kamna NE hladite z vodo.
6. Potem ko kamen očistite z vodo, ga pred uporabo posušite. To lahko storite tako, da ga za 2 uri postavite v običajno pečico, segreto na 60 °C (140 °F).

ooni.com

© 2021 Ooni

Ooni is a registered trademark of Ooni Ltd.

All rights reserved.