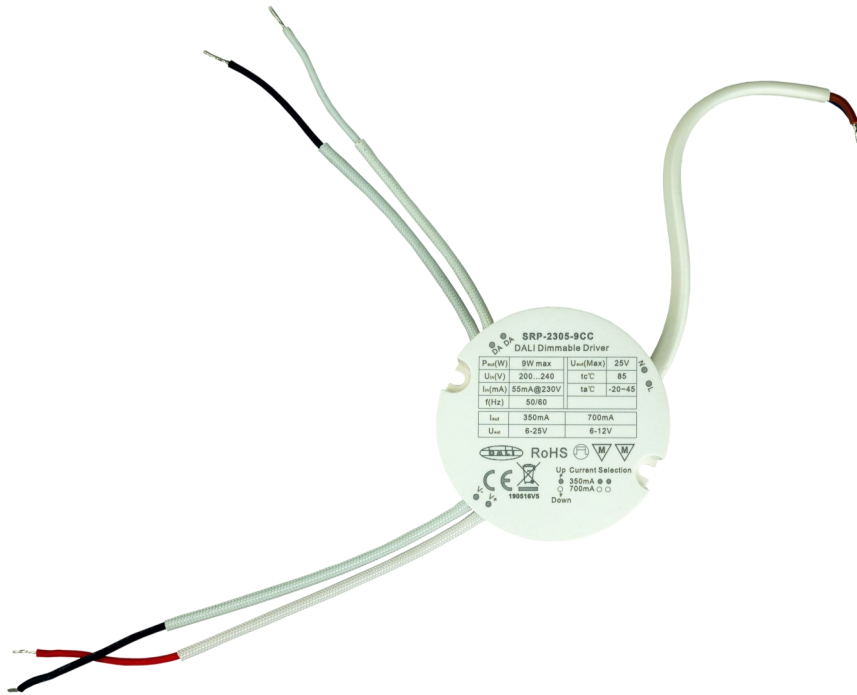


SRP-2305-9CC

9W DALI DIMMABLE LED DRIVER



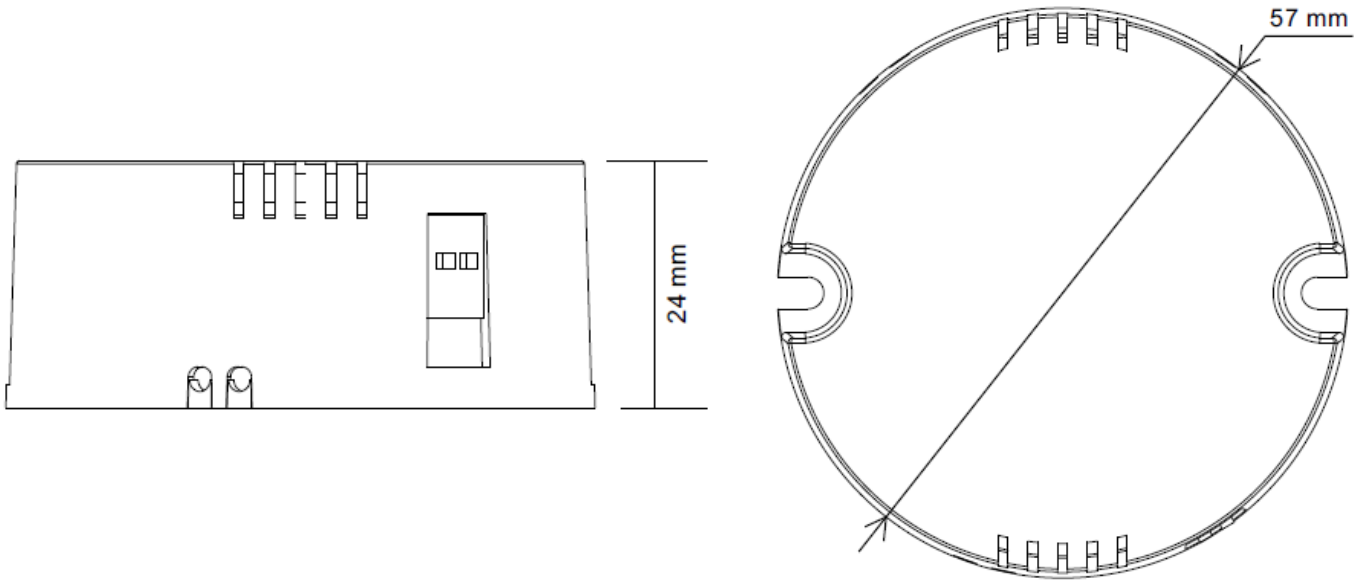
Product Features

- DALI dimmable LED driver
- 200-240VAC input voltage
- 1 channel 350/700mA constant current output
- Class II powersupply, full isolated plastic case
- High power factor and efficiency
- Built-in DALI interface, DALI DT6 device
- Compatible with universal DALI masters that support DT6 commands
- Error report function
- IP20 rating, suitable for indoor LED lighting applications
- 5 years warranty

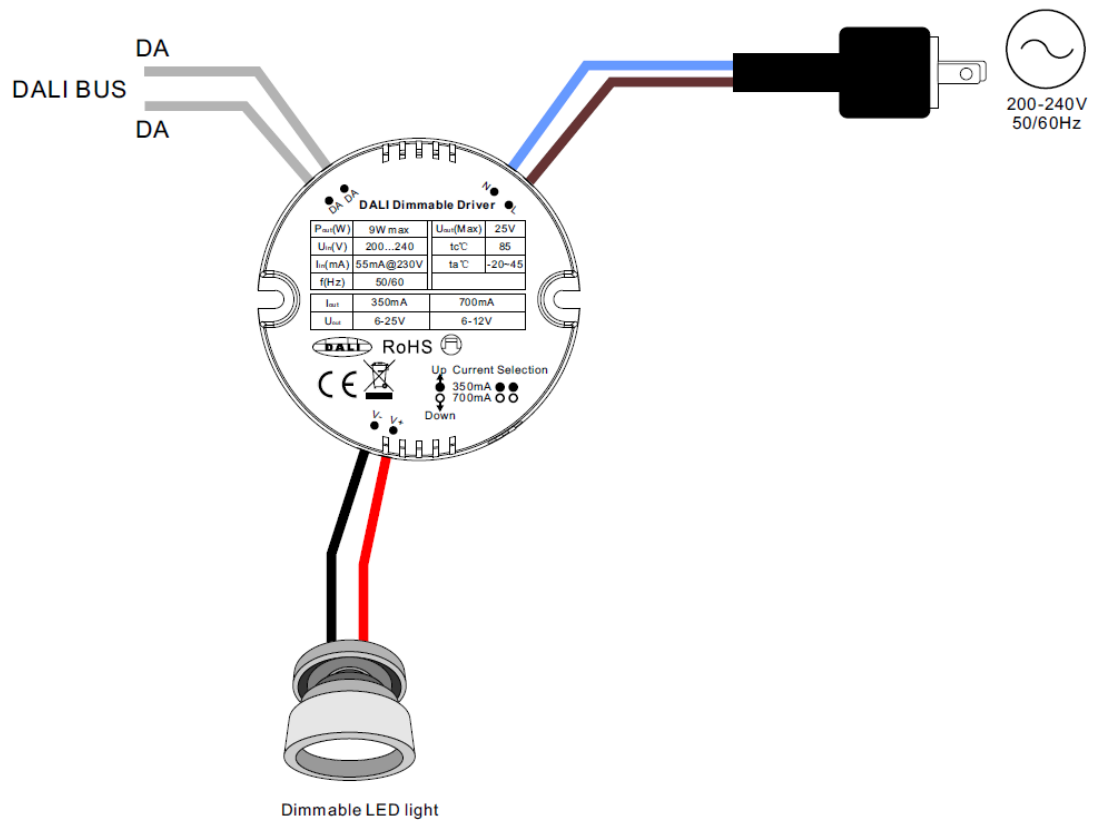
Technical Data

INPUT	Voltage Range	200-240VAC
	Frequency Range	50/60Hz
	Power Factor (typ.)	>0.9@230VAC
	Total Harmonic Distortion	THD ≤ 15% (@ full load /230VAC)
	Efficiency typ.	80% @ 230VAC full load
	AC Current (typ)	50mA @ 230VAC
	Inrush Current (typ)	Cold start max. 2A@230VAC
	Leakage Current	< 0.5mA/230VAC
	Stand by Power Consumption	1W
OUTPUT	LED Channel	1
	Setable current:	350mA / 700mA
	Current Tolerance	+/- 5%
	DC Voltage Range	6-25VDC / 6-12VDC
	Rated Power	9W
PROTECTION	Short Circuit	Yes, recovers automatically after fault condition is removed
	Over Temperature	Yes, recovers automatically after fault condition is removed
	Over Voltage	Yes, recovers automatically after fault condition is removed
CONTROL	Dimming Interface	DALI DT6
	Dimming Range	0% - 100%
	Dimming Methode	PWM, 1.5kHz
	Dimming Curve	Logarithmic
ENVIRONMENT	Working Tempetrature	-20°C - + 45°C
	Max. Case Temperature	85°C
	Working Humidity	10%-95% RH non-condensing
	Storage Temperature	-40°C - +80°C
	Storage Humidity	10% - 95% RH
	IP Rating	IP20 (suitable for indoor LED lighting applications)
Safety & EMC	Safety Standards	ENEC EN61347-1, EN61347-2-13
	DALI Standards	DALI DT6 commands
	Withstand Voltage	I/P-O/P: 3.75KVAC
	EMC Emission	EN55015, EN61000-3-2, EN61000-3-3
	EMC Immunity	EN61547, EN61000-4-2,3,4,5,6,8,11, surge immunity Line-Line 0.5KV
Others	MTBF	193.6K hrs min. @ 230VAC full load and 25°C ambient temperature
	Dimension	Drm. 57 x 24mm
	Warranty	5 years

Product Dimension



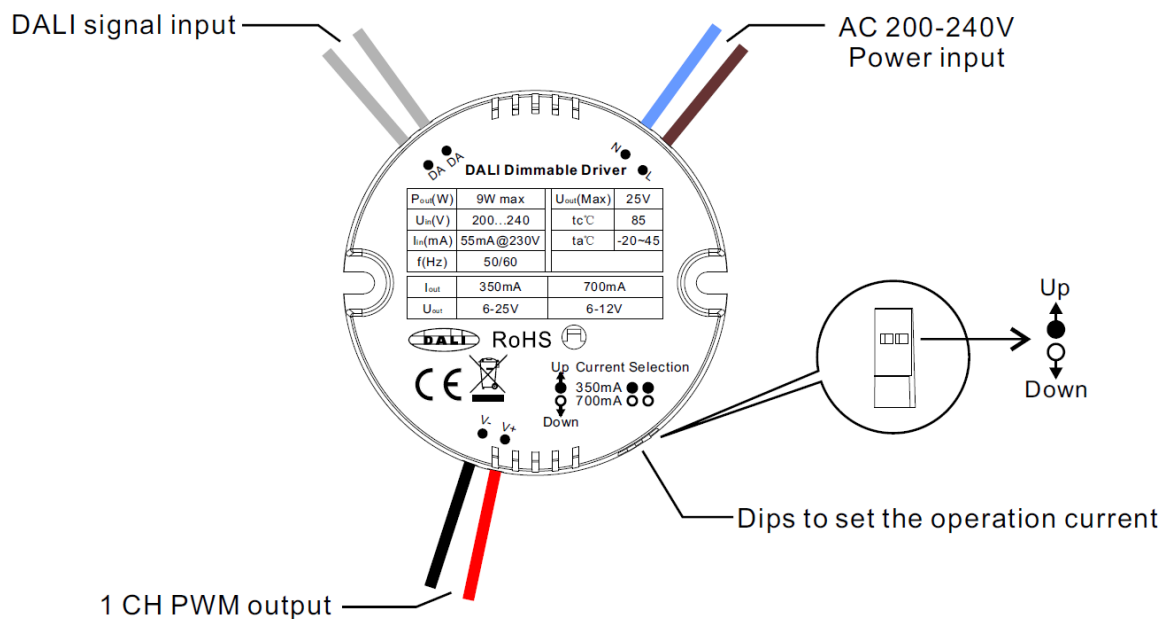
Wiring Diagram



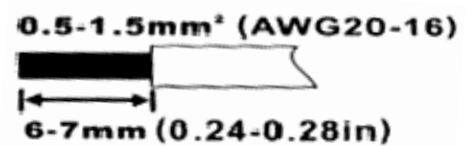
Installation

SAFETY AND WARNINGS

- **Do not install with power applied to the device**
- **Do not set operation current with power applied to the device**
- **Do not expose the device to moisture**



- Approved wire diameter: AWG16—AWG20 / 0.5mm²-1.5mm²
6-7mm isolated



Operation

DALI Address

DALI addresses for 1 channel output is assigned by DALI Master controller automatically, please refer to user manuals of compatible DALI Masters for specific operations.