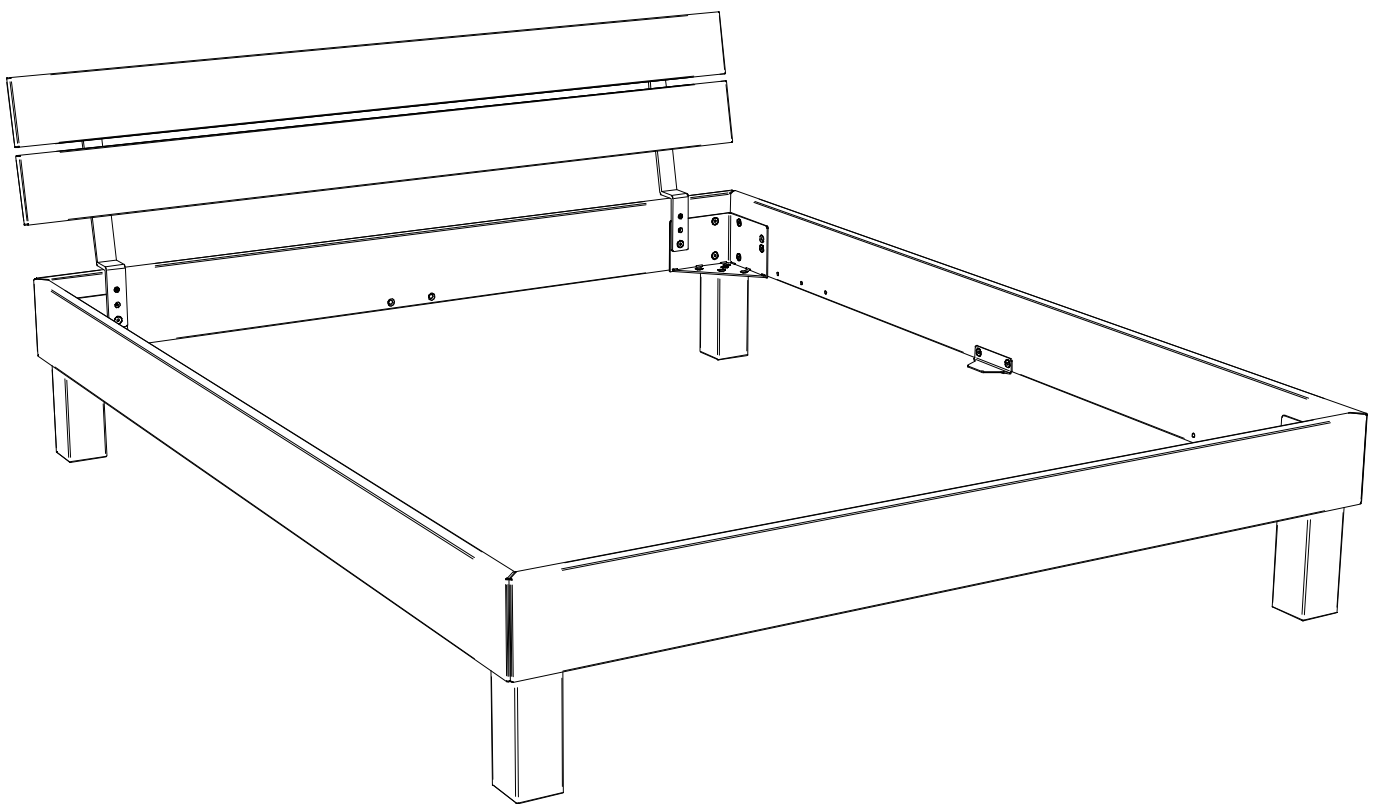
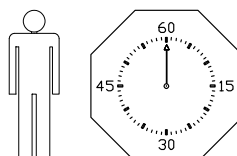
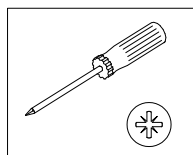


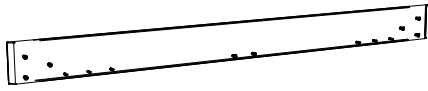
Prato



Benötigte Werkzeuge – Outils Nécessaires – Tools Required – Attrezzi Necessari



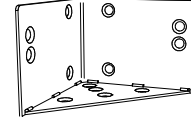
A x2



B x2

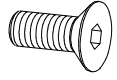


C x4



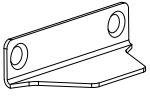
630.10142

D x26
M8x20



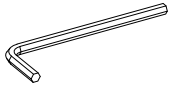
631.87200

E x2

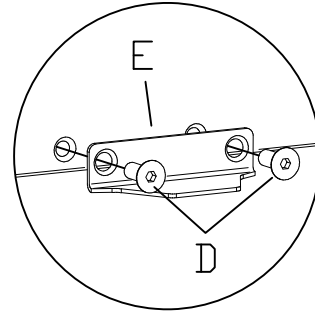


630.09942

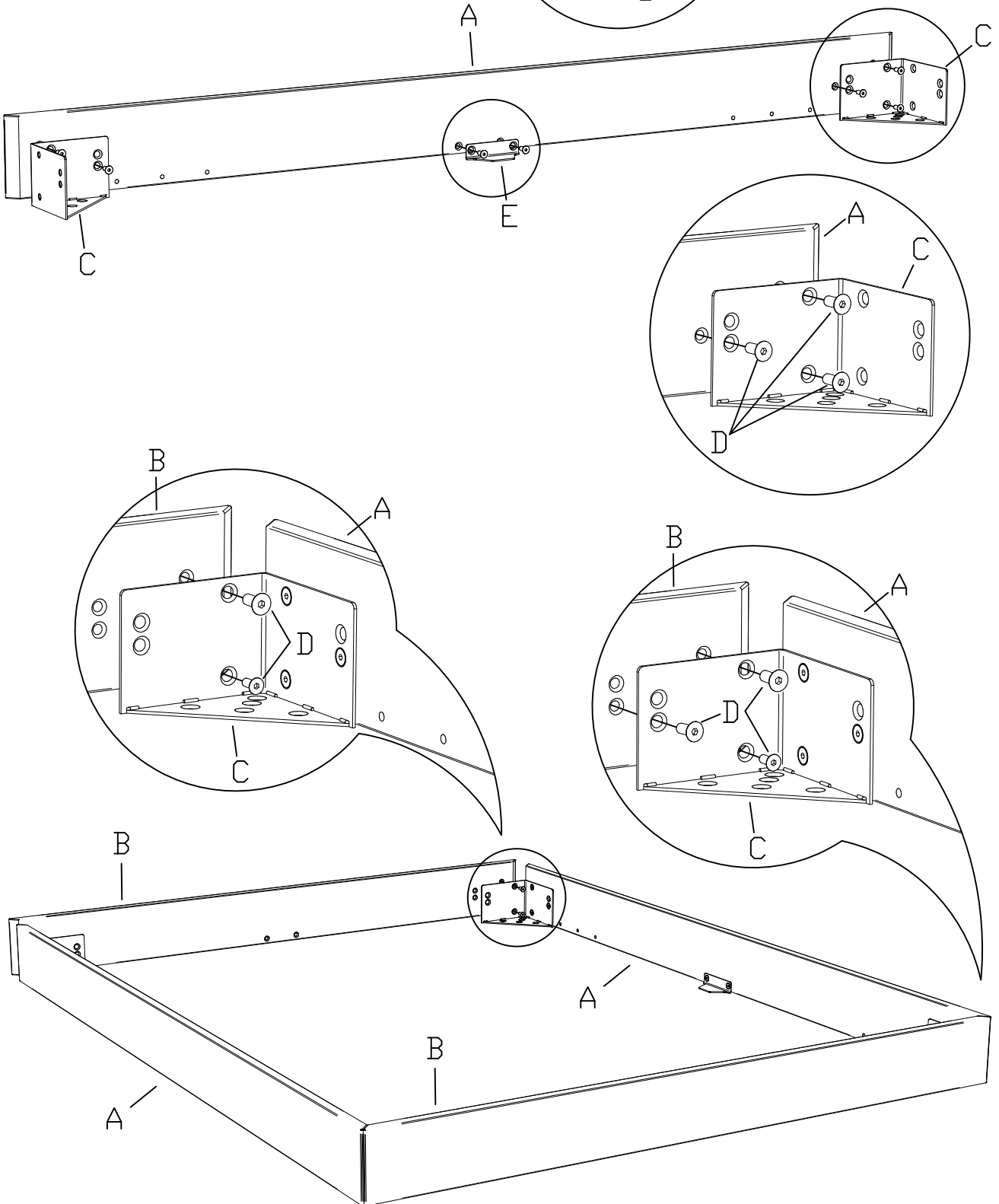
Z x1



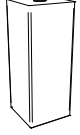
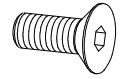
631.10000



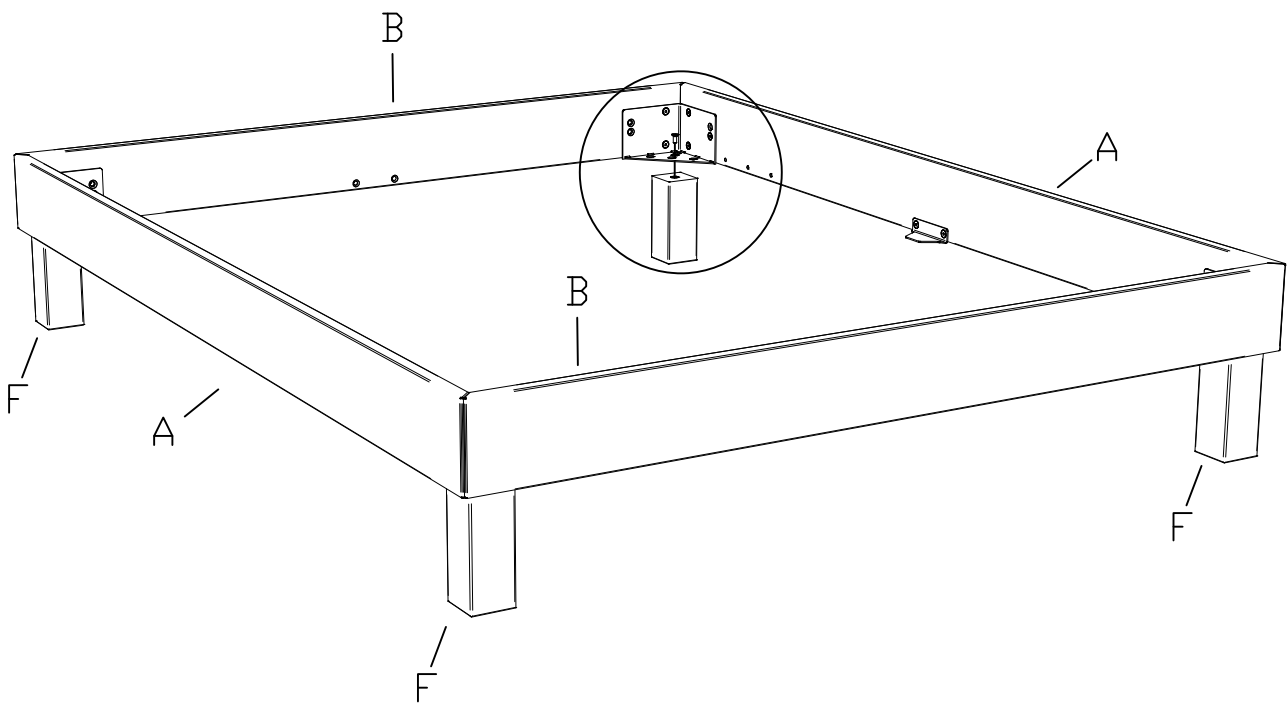
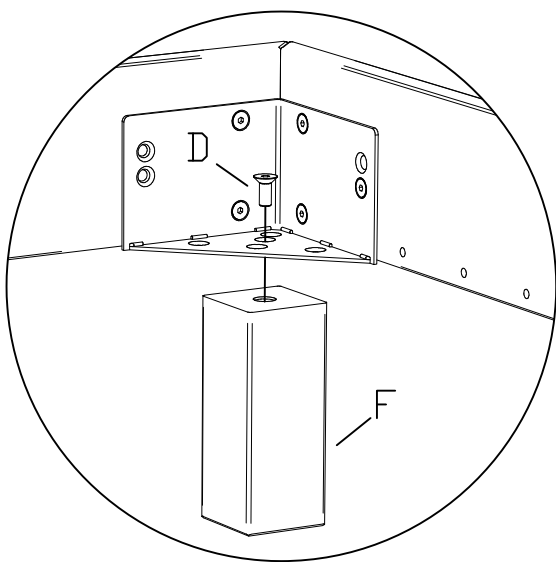
1.


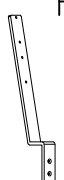
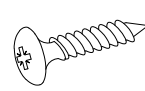
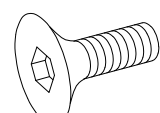
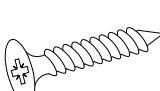


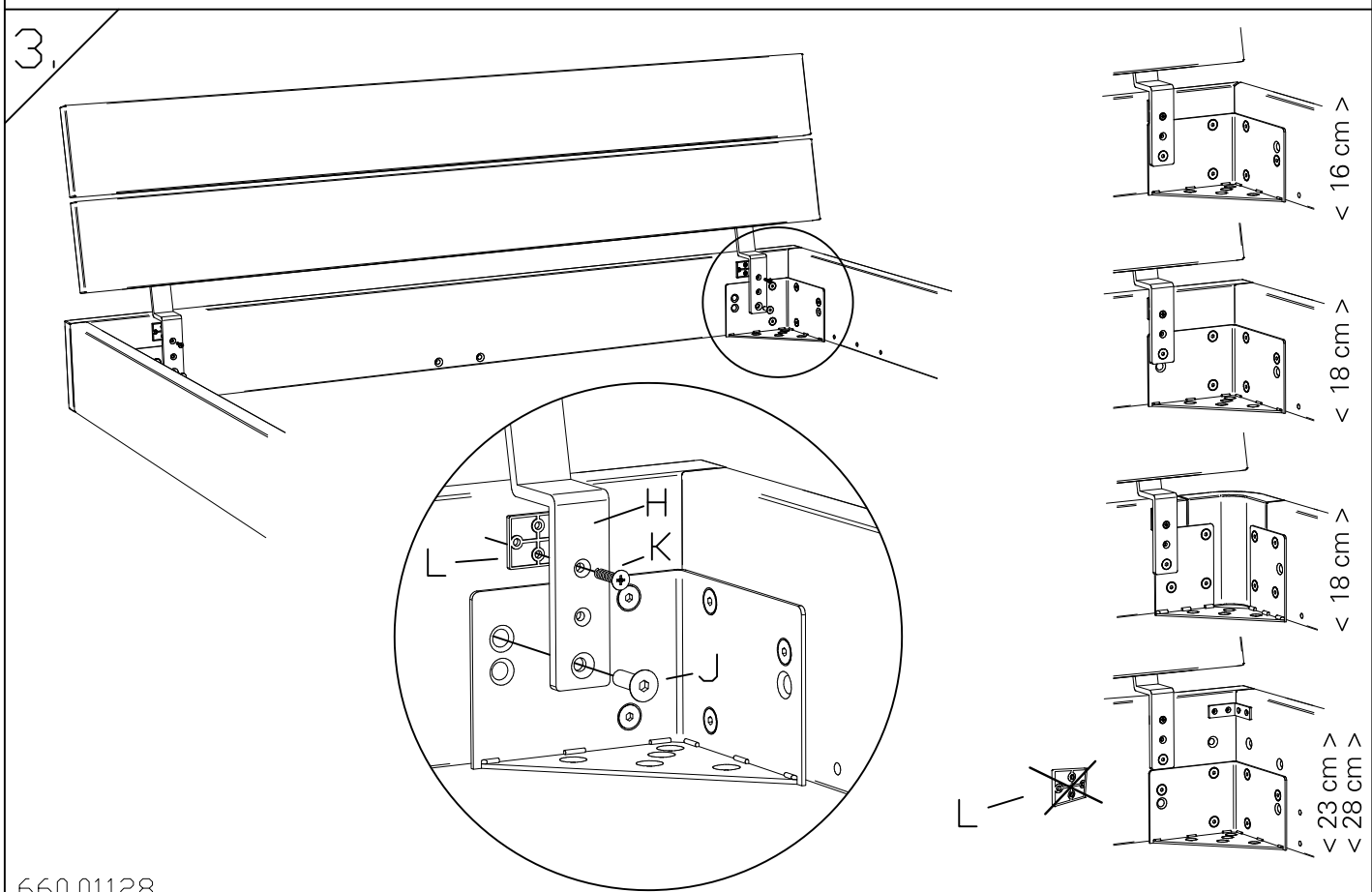
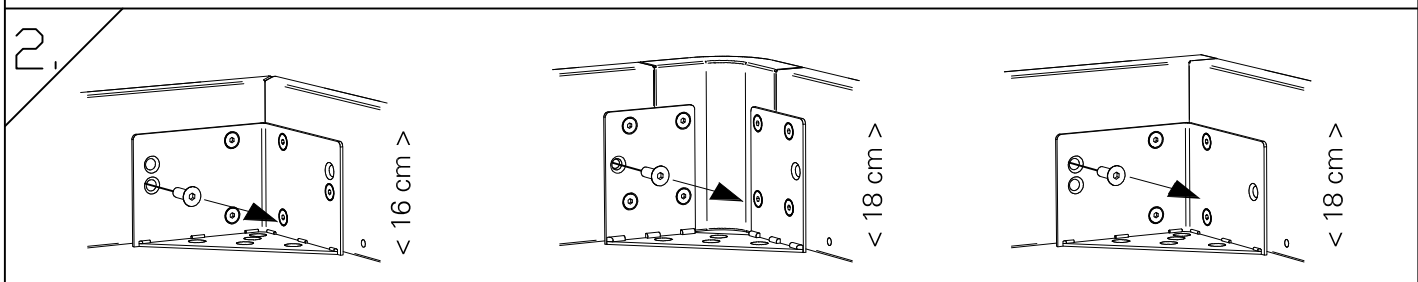
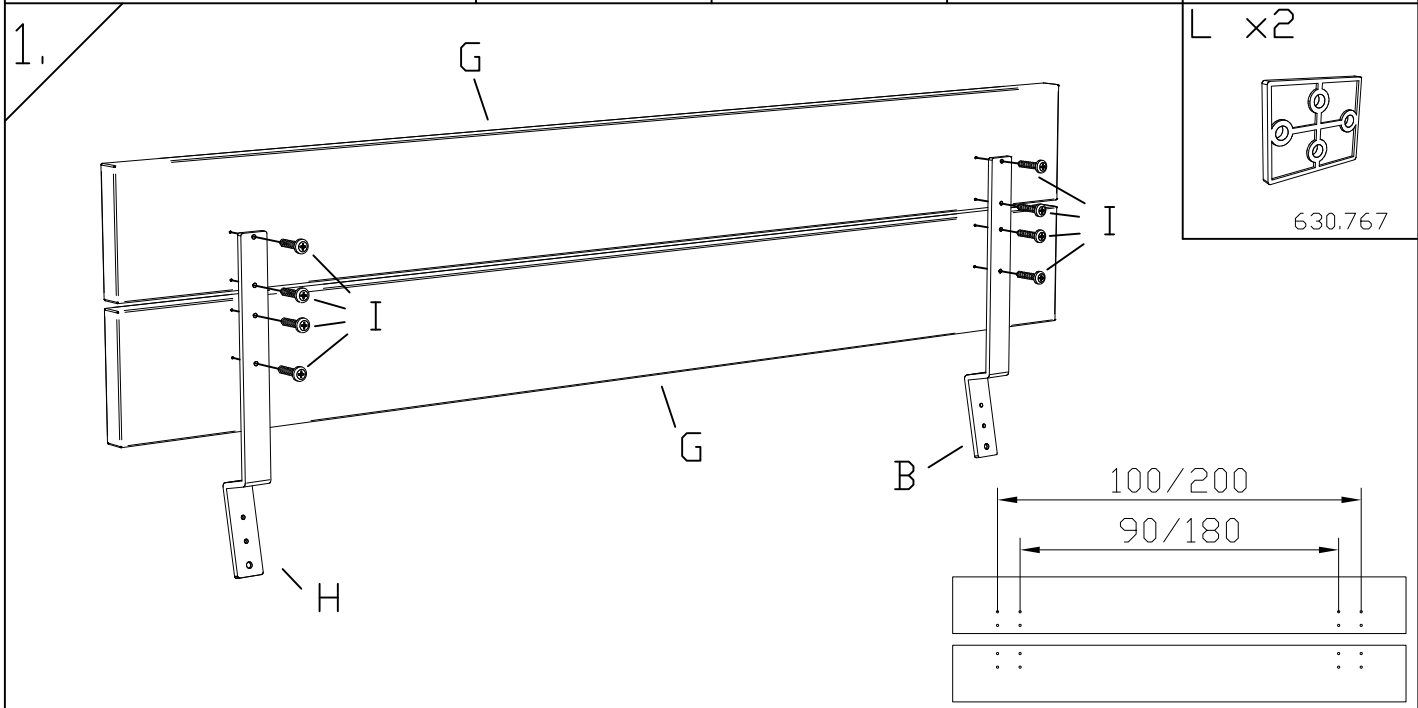
660.01128

F ×4 	D ×4 M8×20  631.87200
---	---

2.

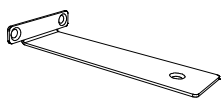


<p>G x2</p> 	<p>H x2</p>  <p>790.006</p>	<p>I x8</p> <p>Ø5x25</p>  <p>631.16500</p>	<p>J x2</p> <p>M8x25</p>  <p>631.10600</p>	<p>K x2</p> <p>Ø5x25</p>  <p>631.32100</p>
---	---	---	---	---



bei Breiten ab 160cm
for widths from 160cm
à partir des dimensions 160cm
della misura 160cm

M x2

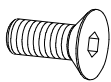


790.023

N x2



D x6
M8x20



631.87200

