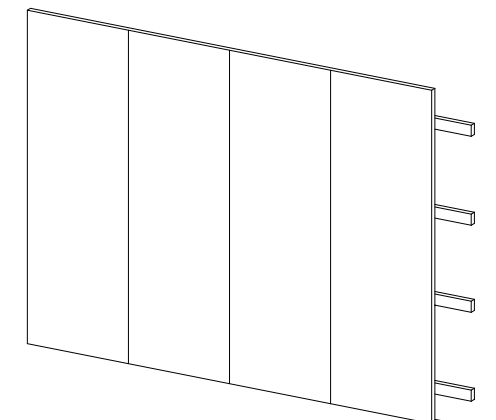
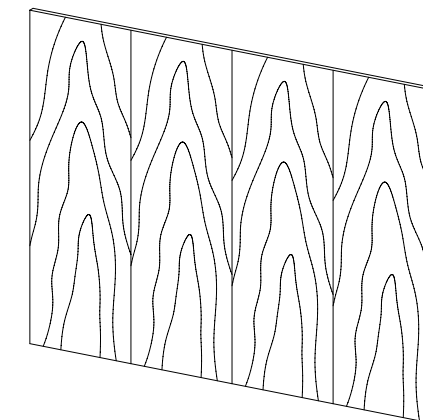
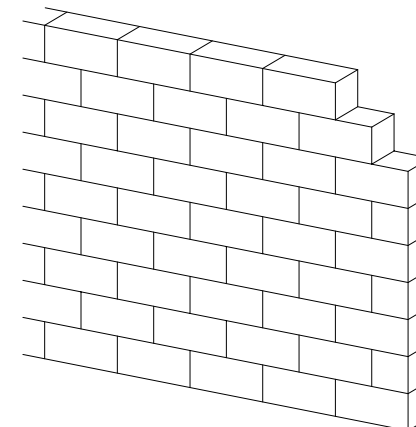
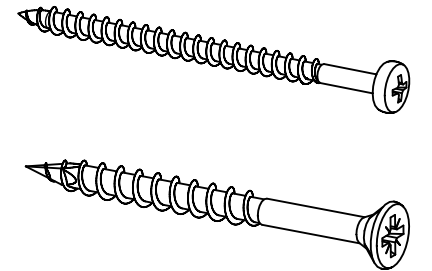
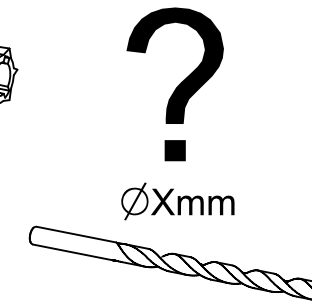
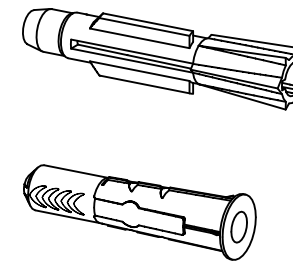
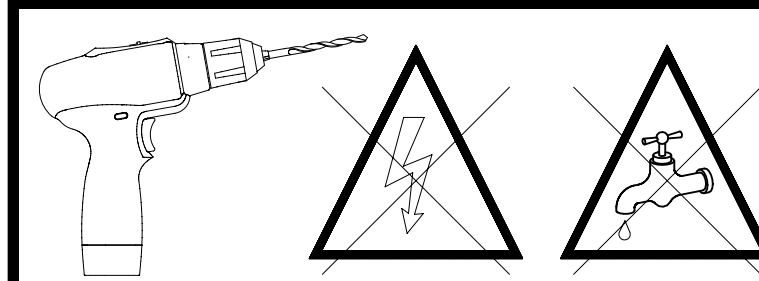
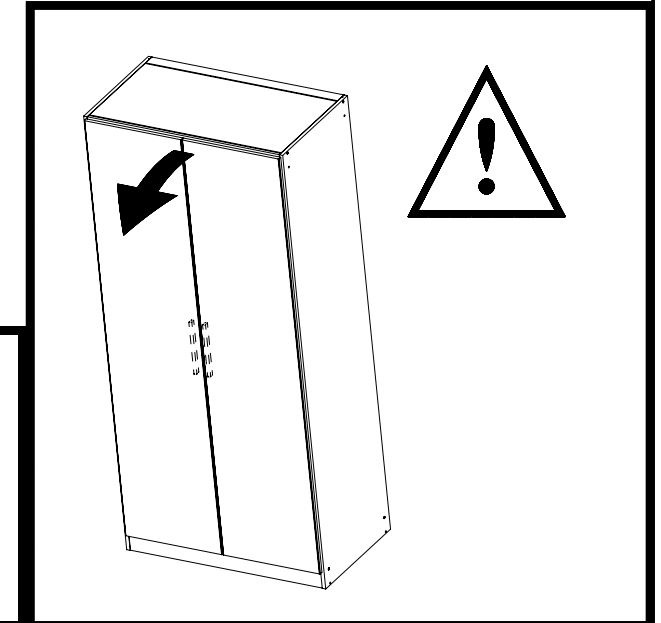
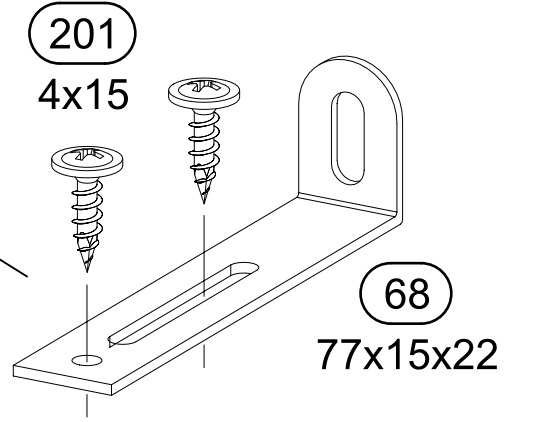
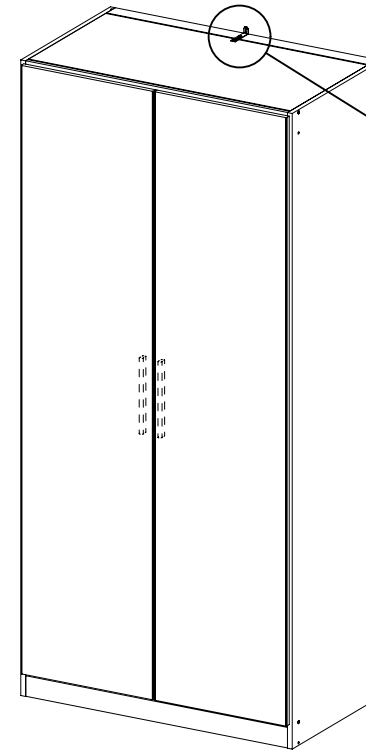
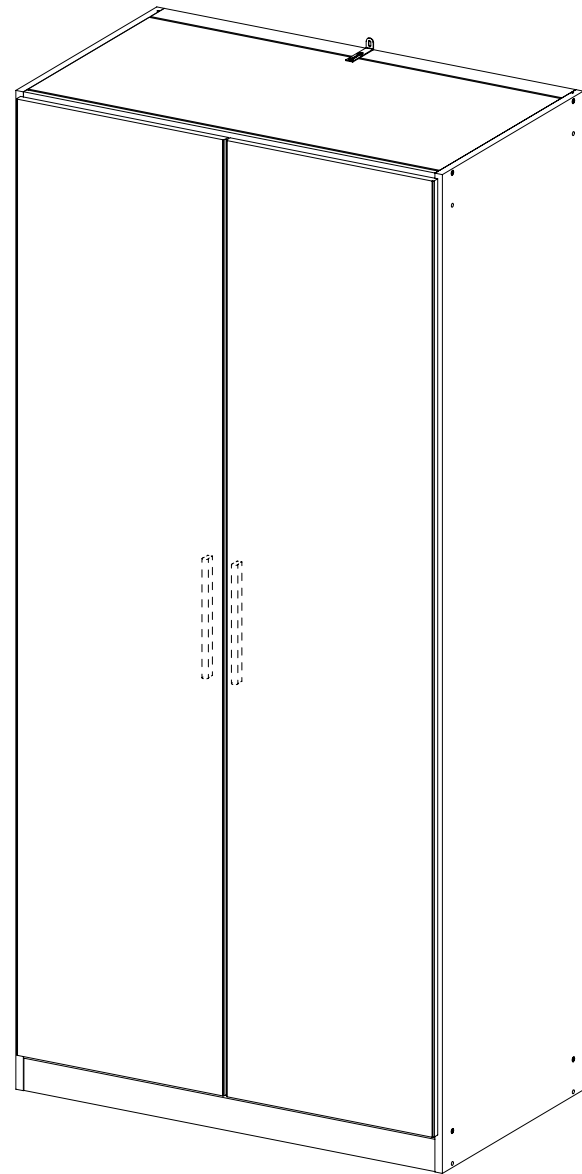
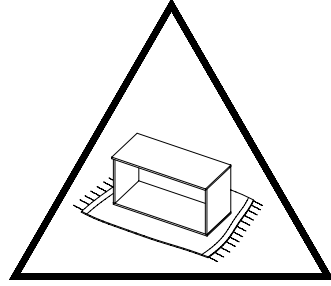
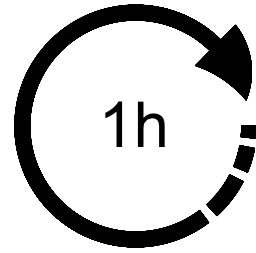
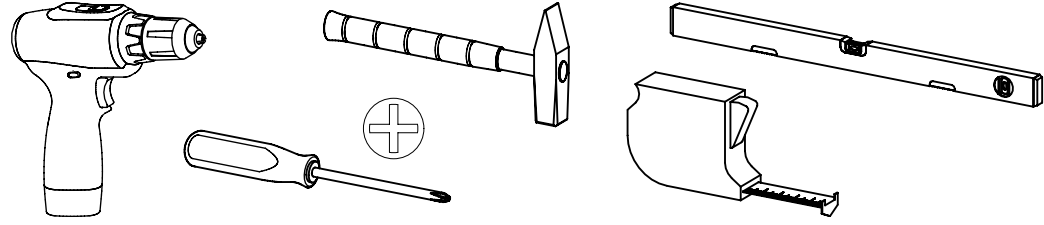
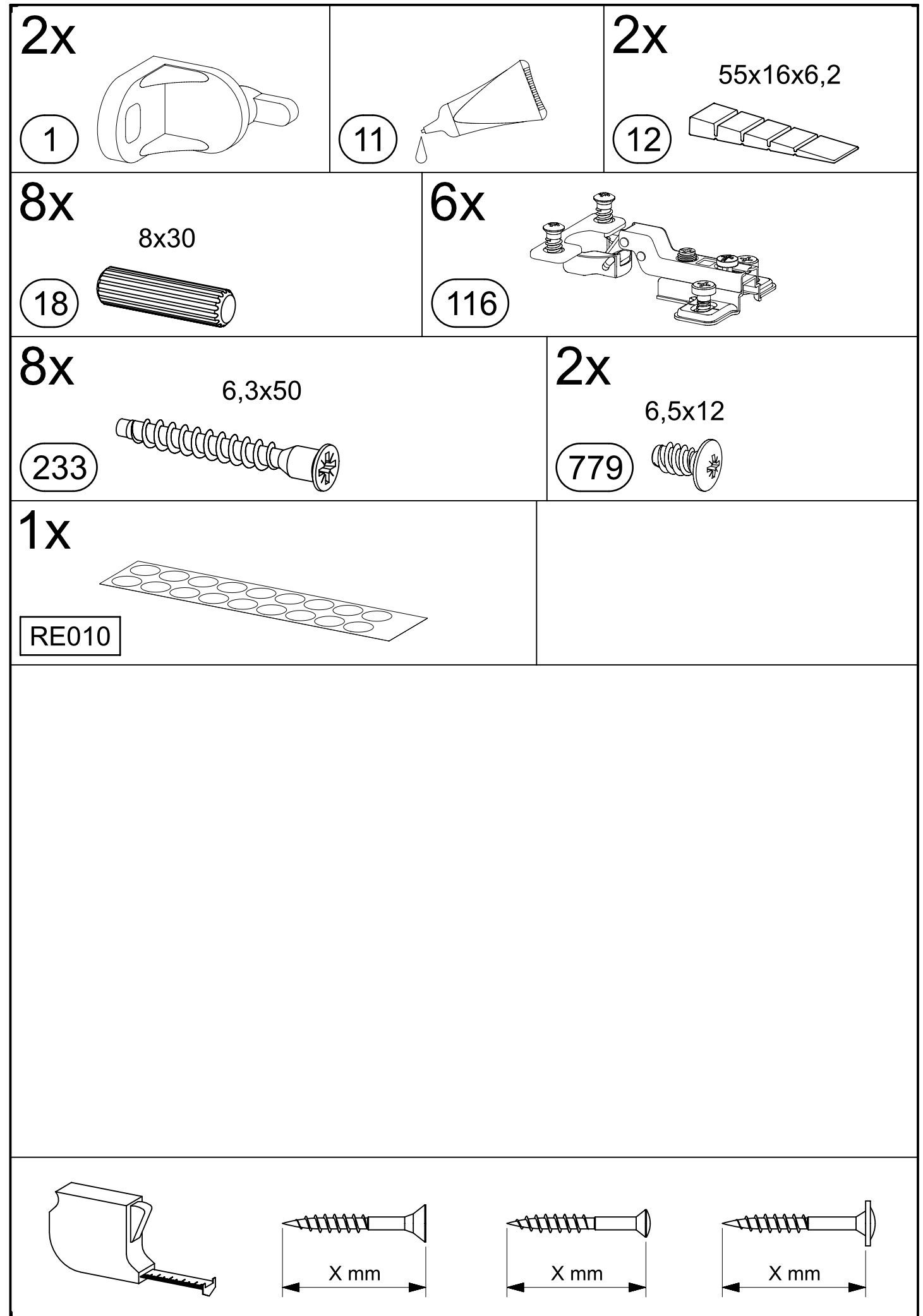
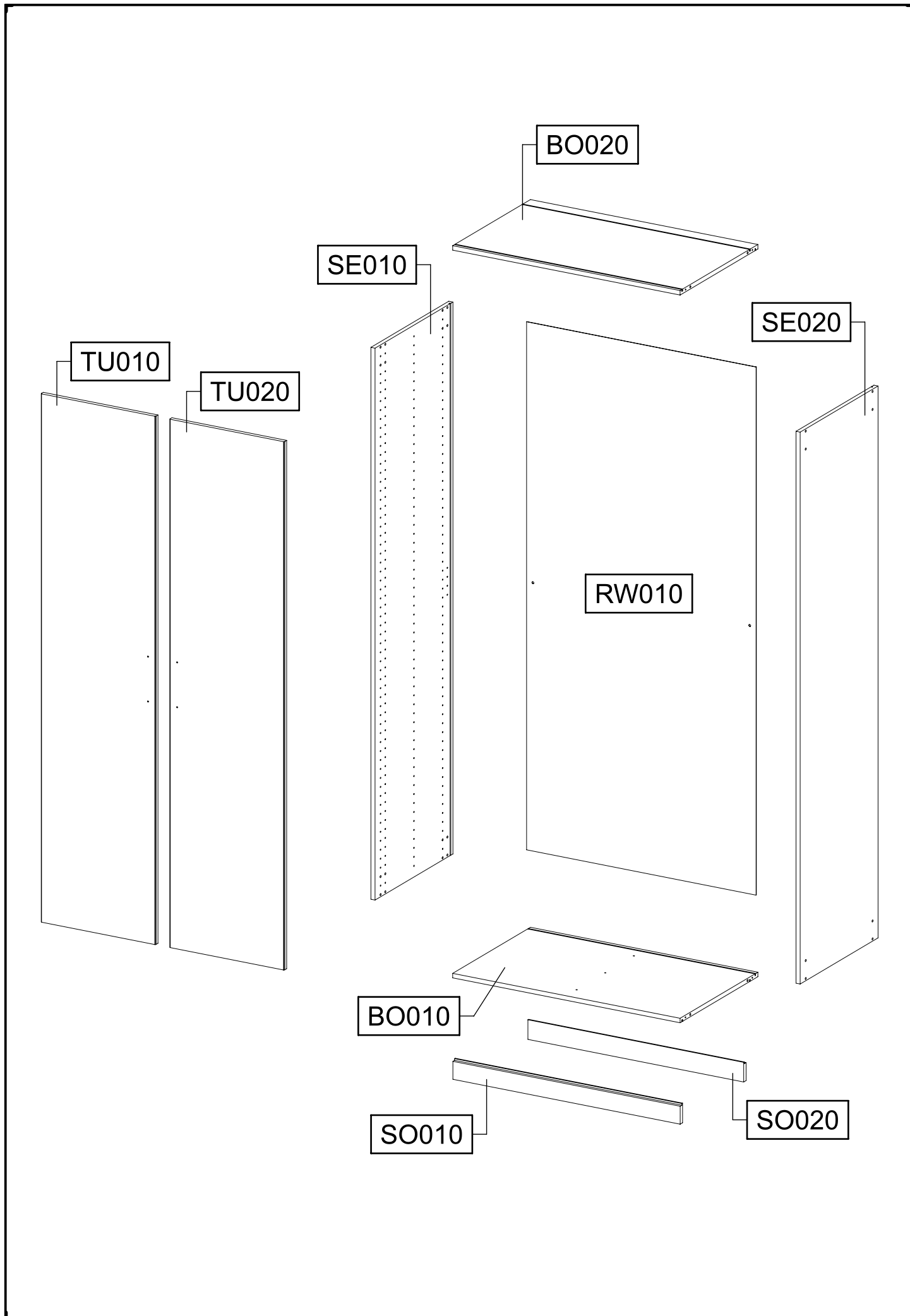


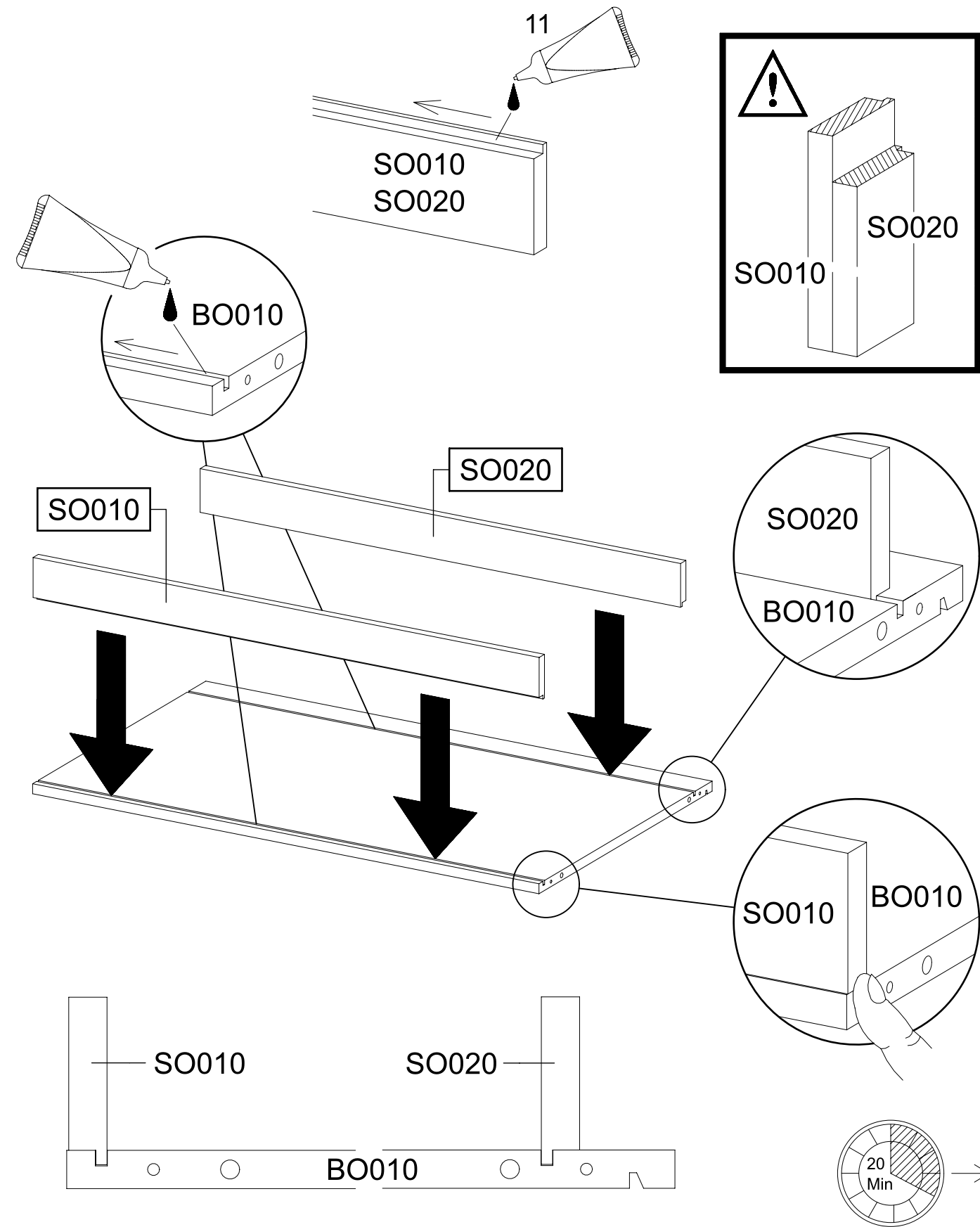
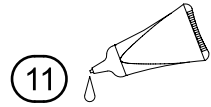
M1815_07

rauch



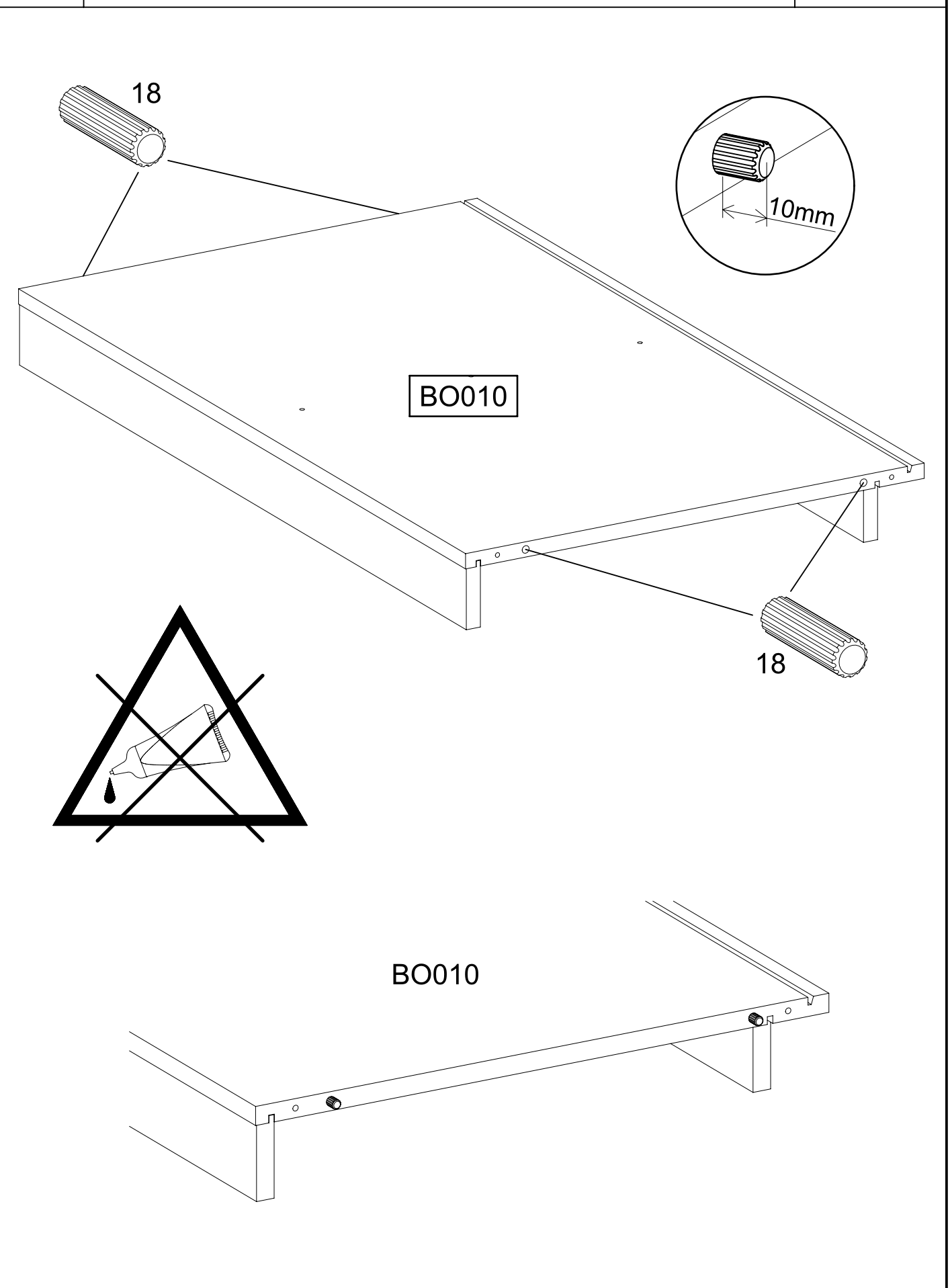
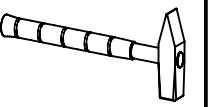


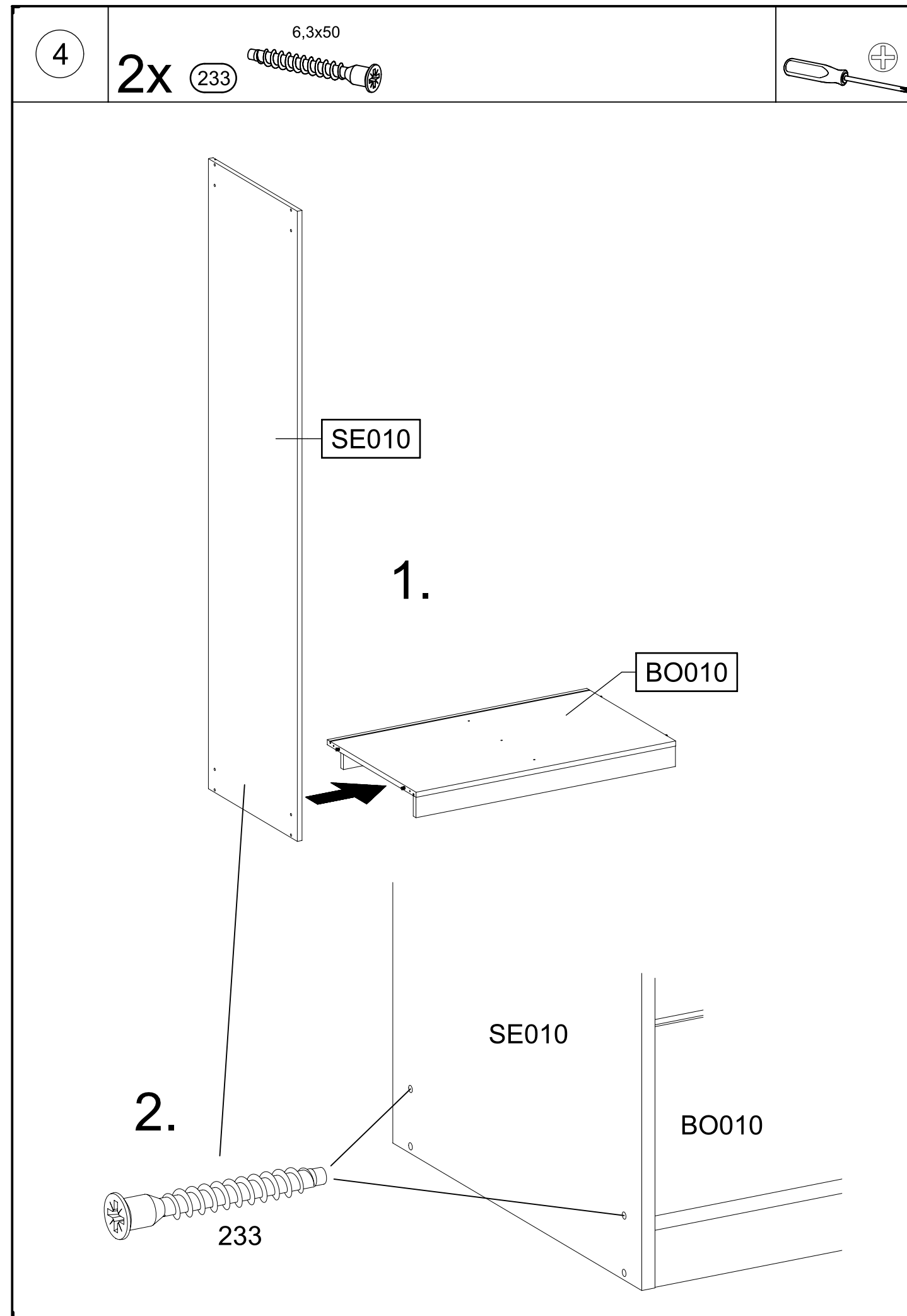
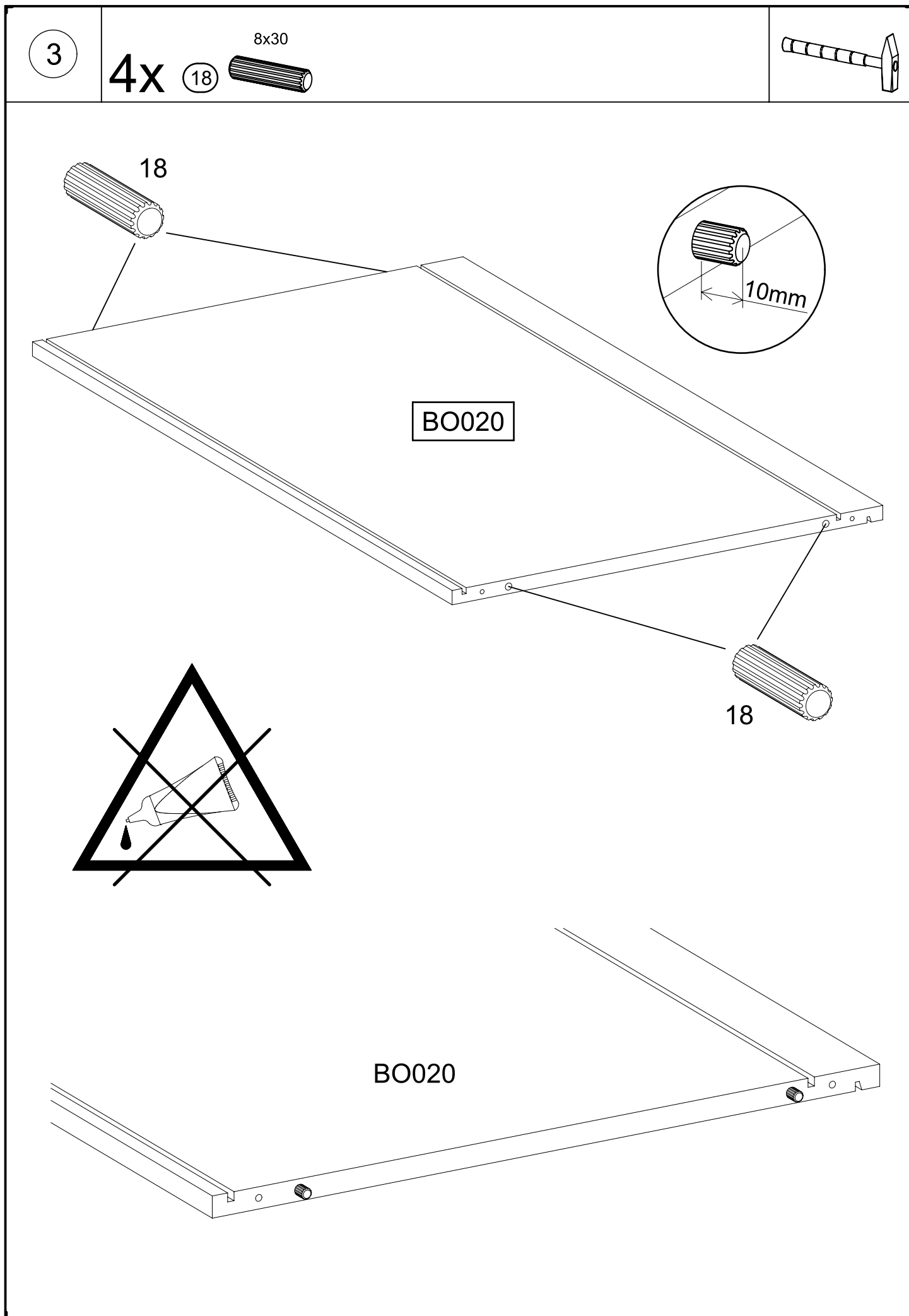
1

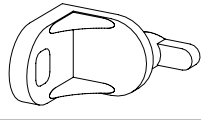

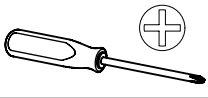


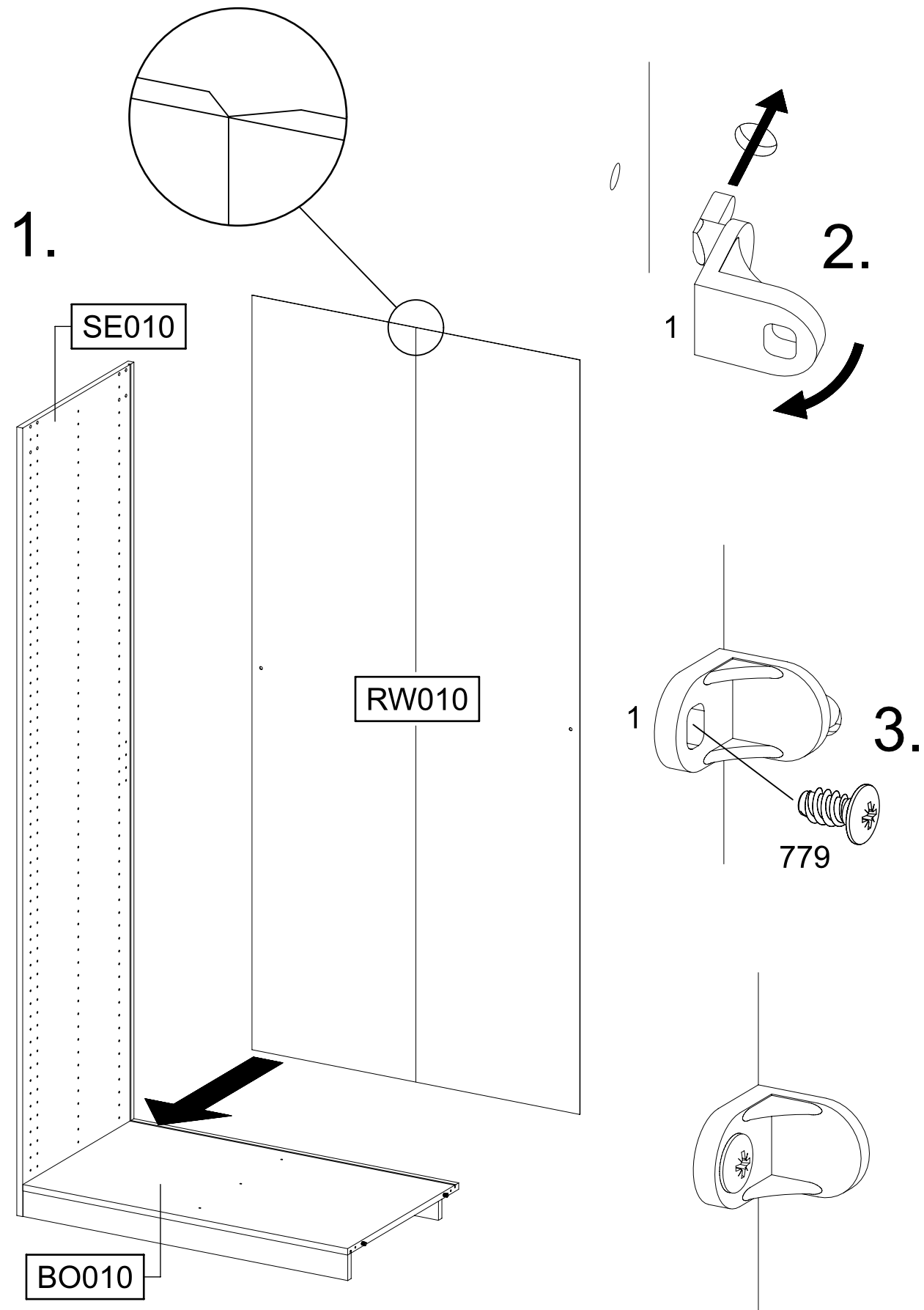
2

4x 18 8x30

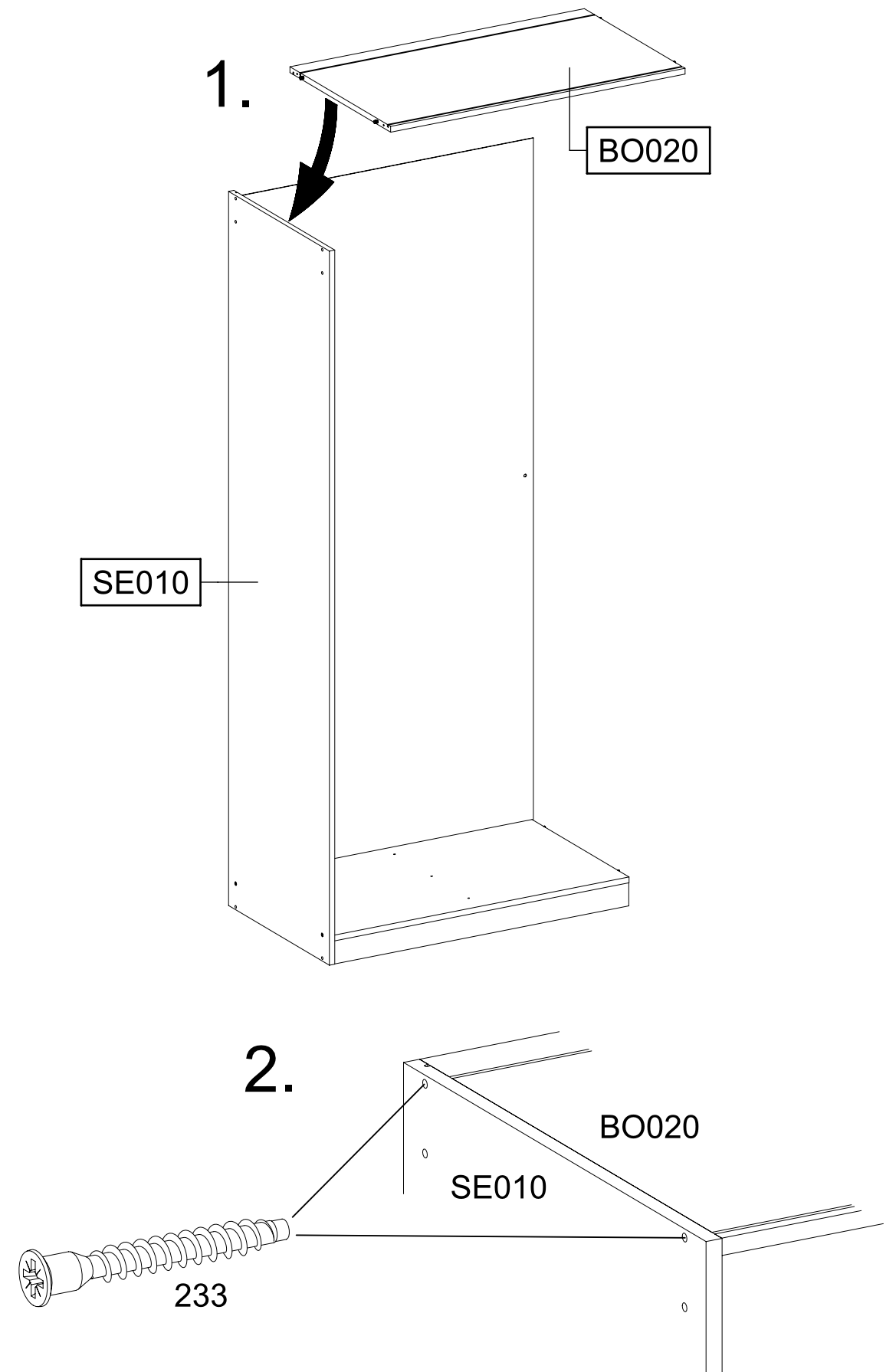


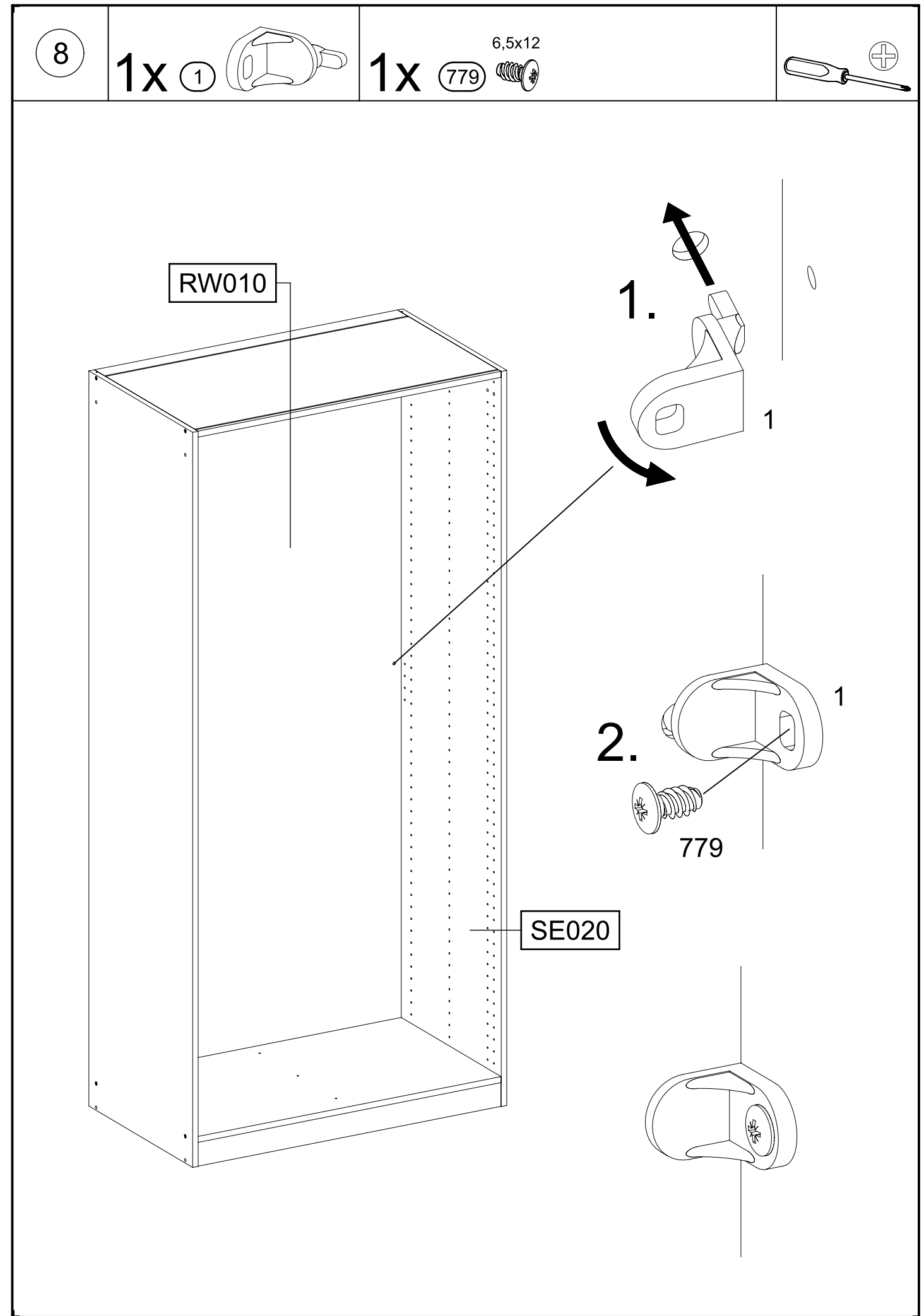
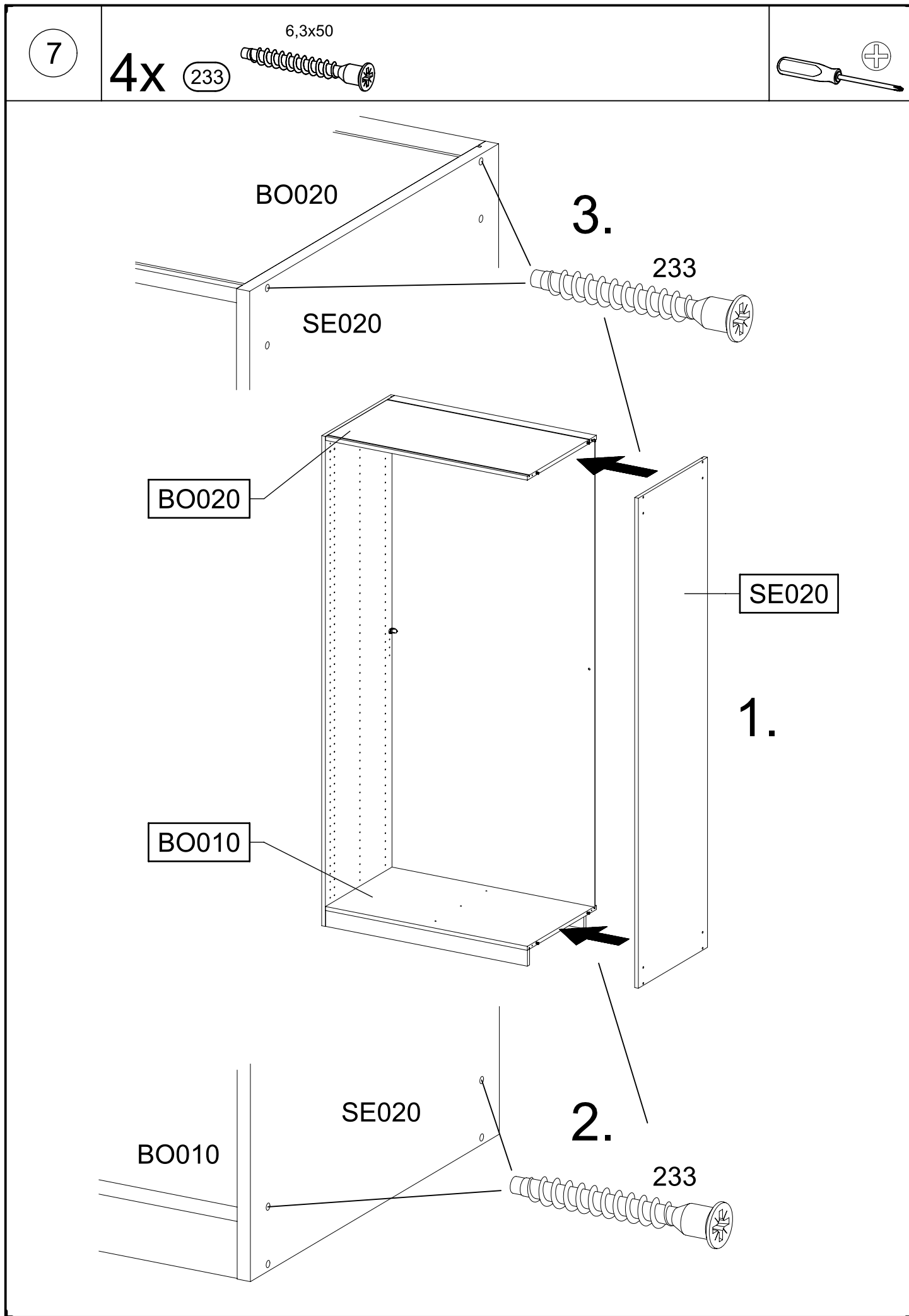


- 5
- 1x 1 
- 1x 779  6,5x12
- 



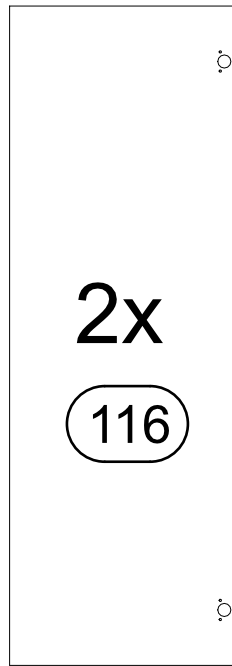
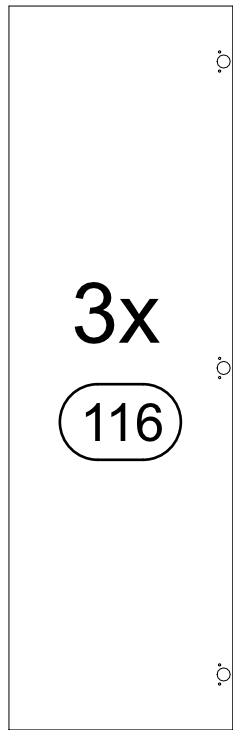
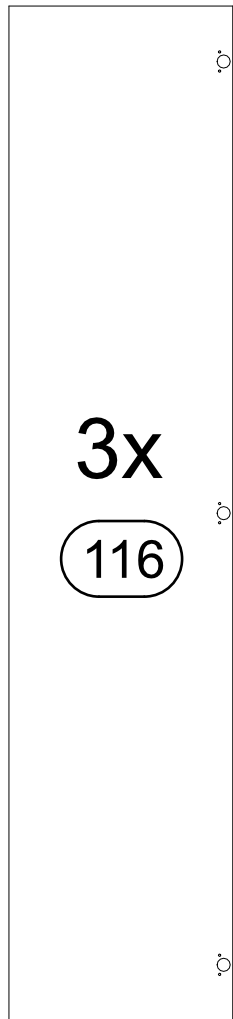
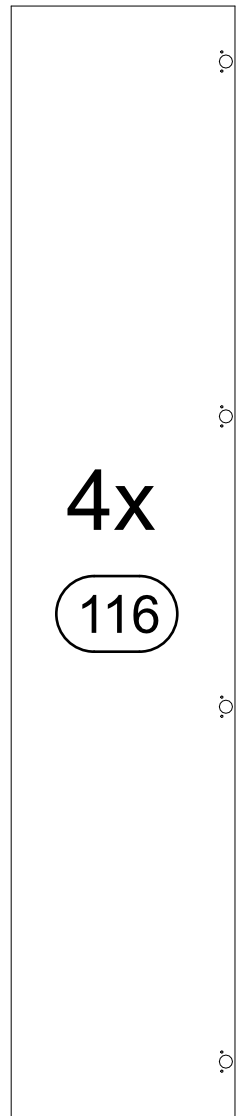
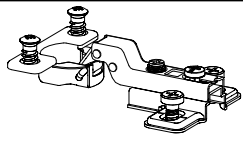
- 6
- 2x 233  6,3x50
- 





9

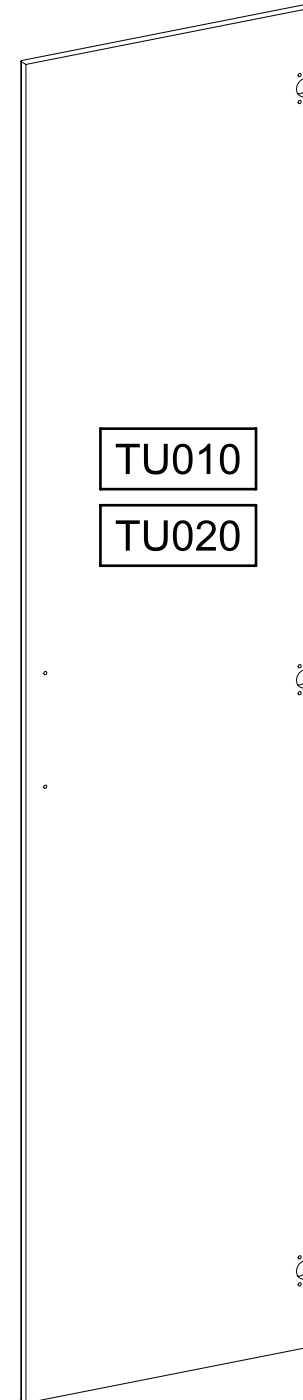
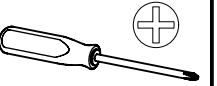
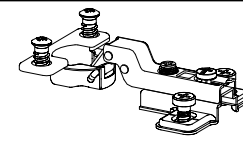
116



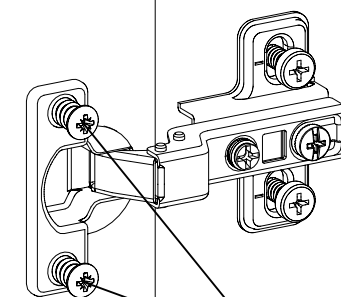
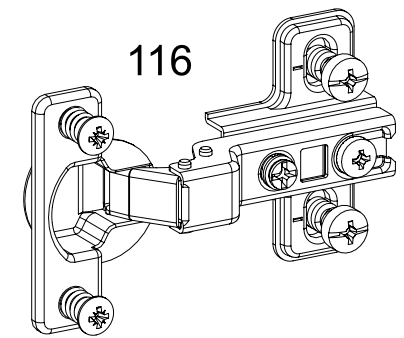
10

6x

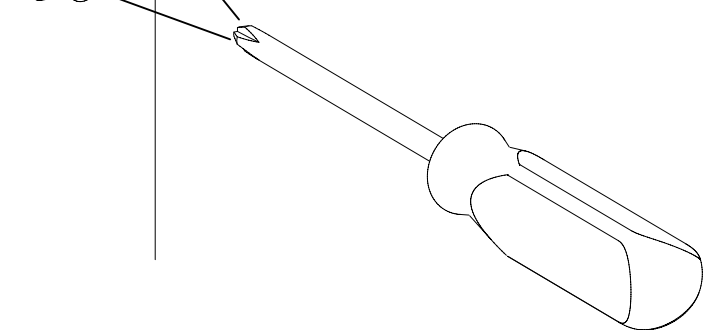
116



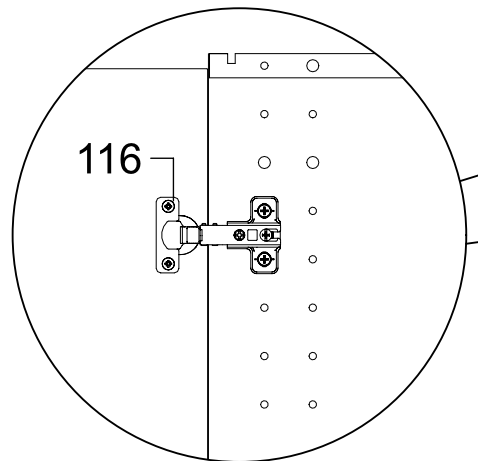
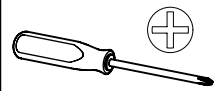
1.



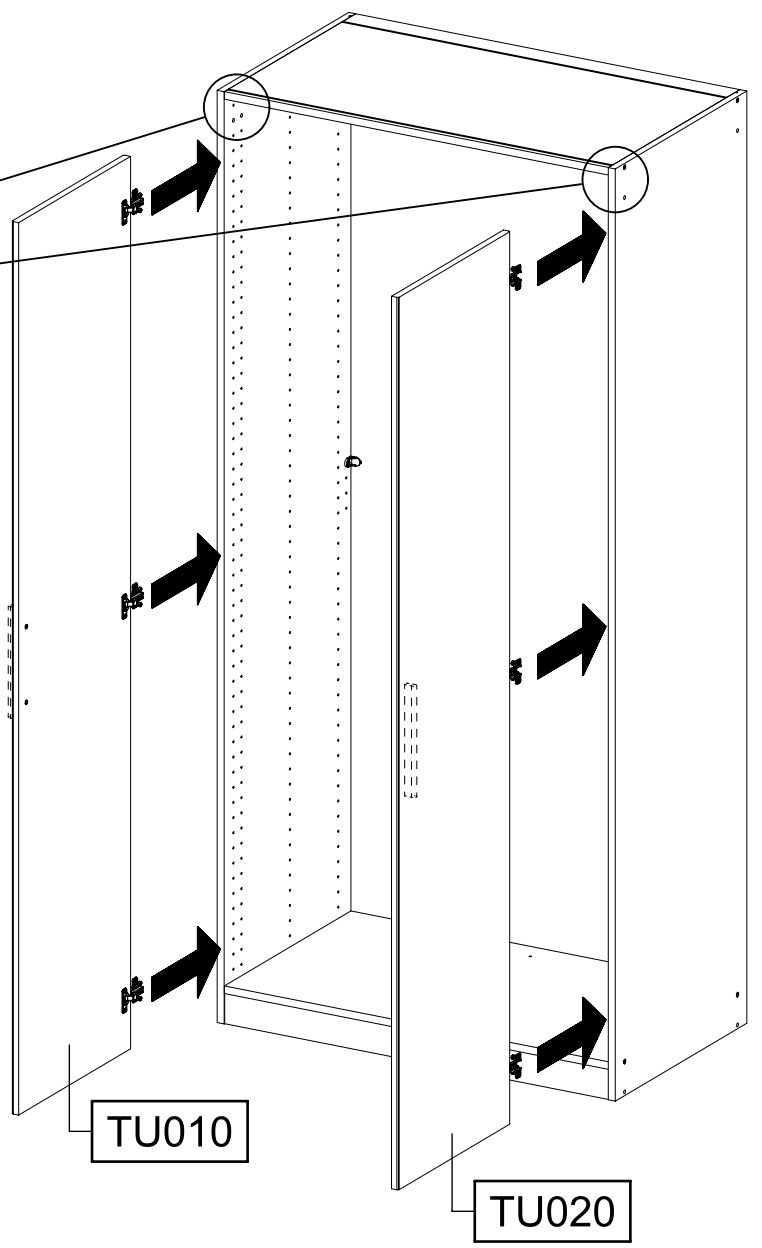
2.



11

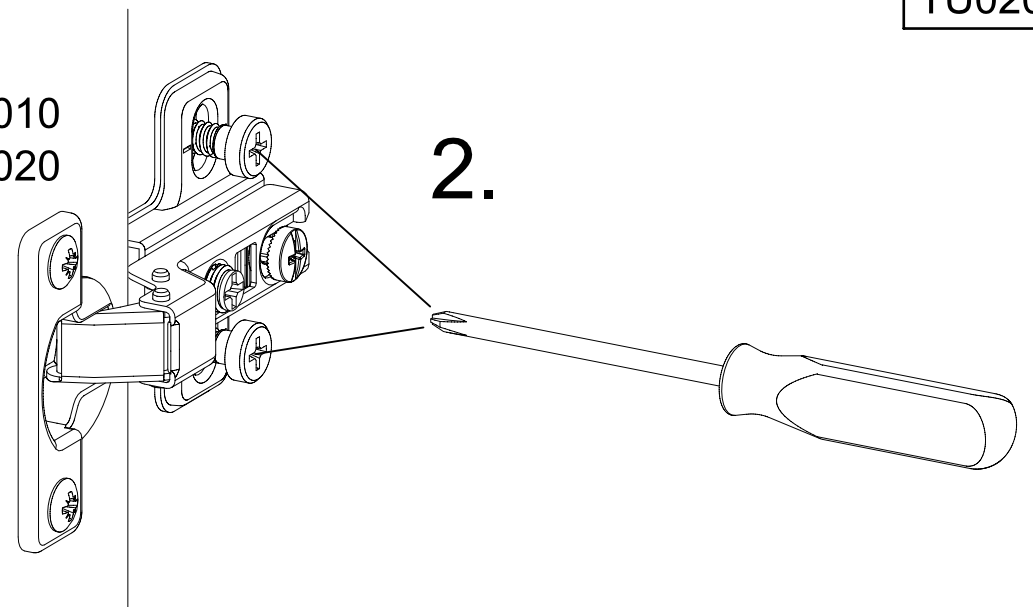


1.



TU010
TU020

2.

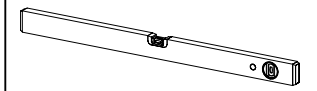
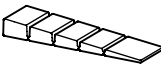


12

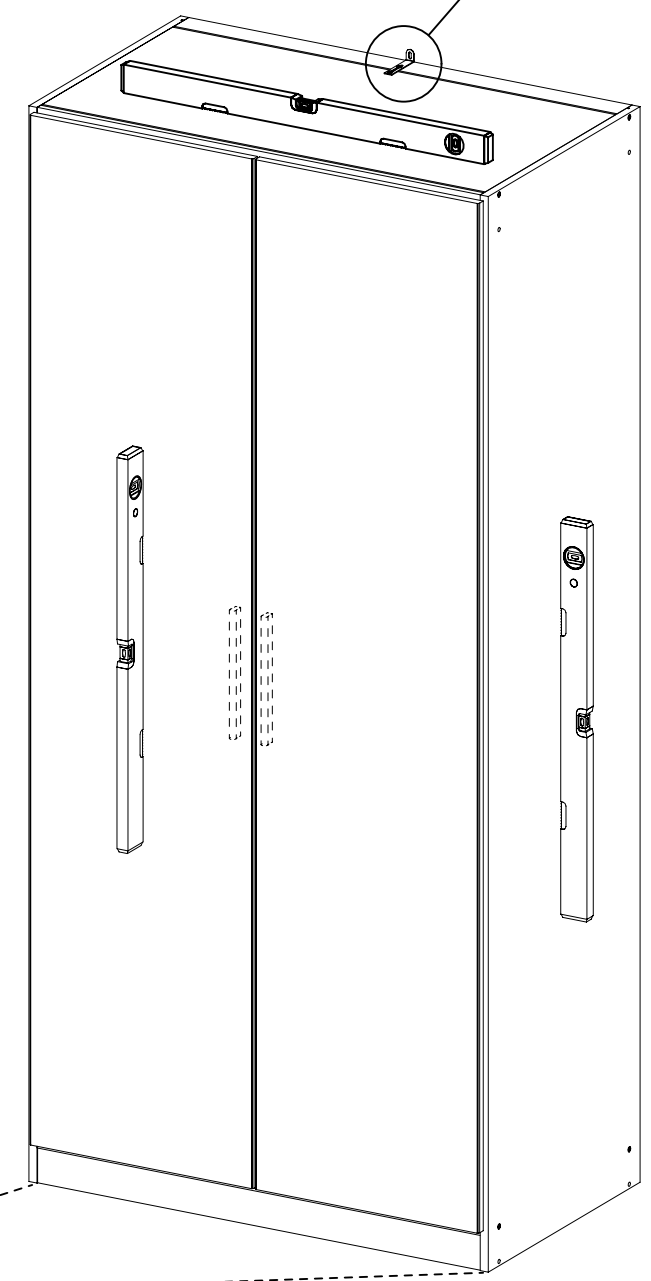
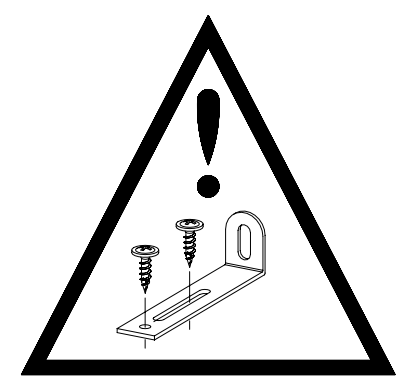
2x

55x16x6,2

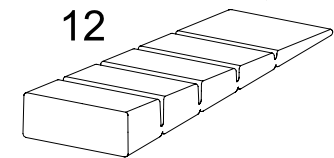
12



VIDEO

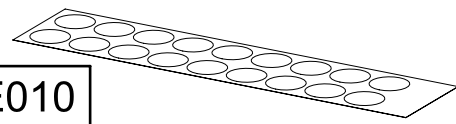


12

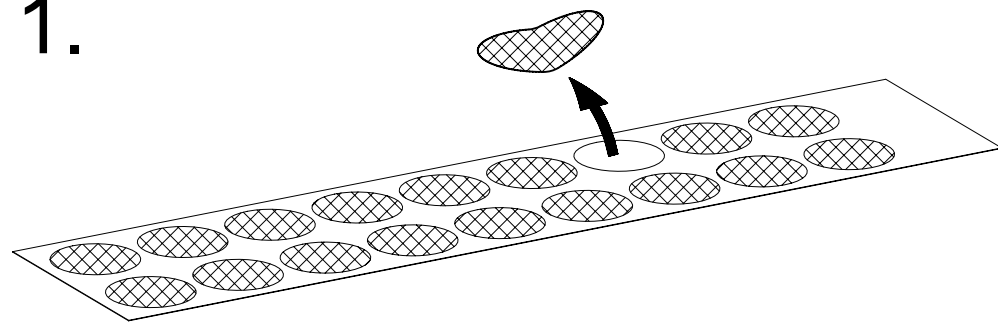


13

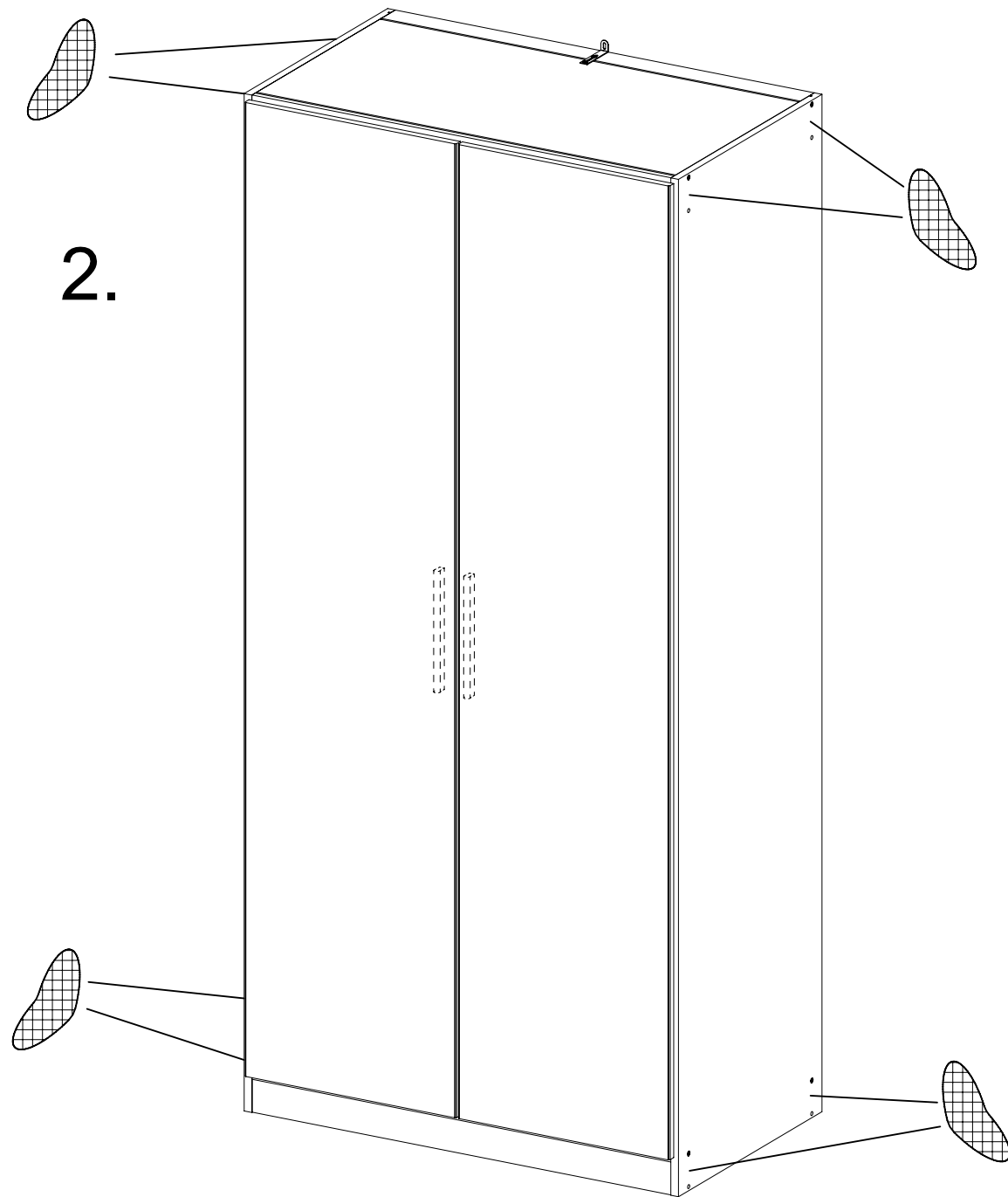
1x RE010



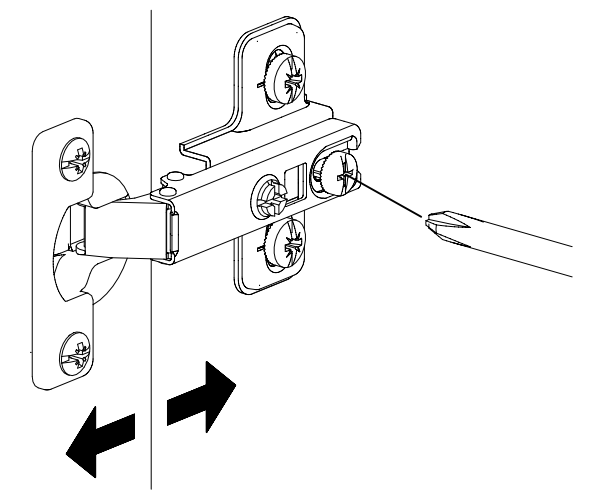
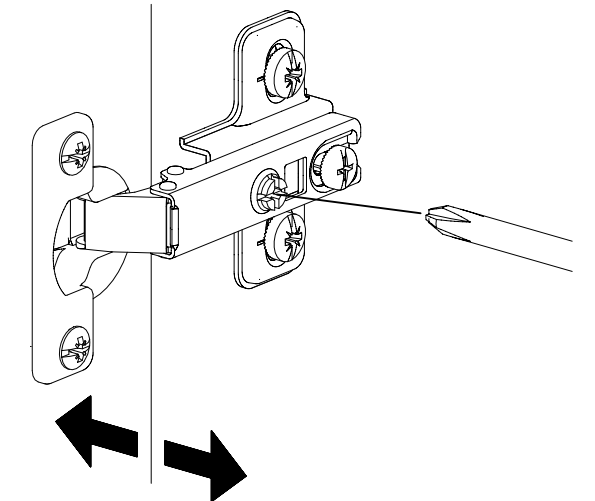
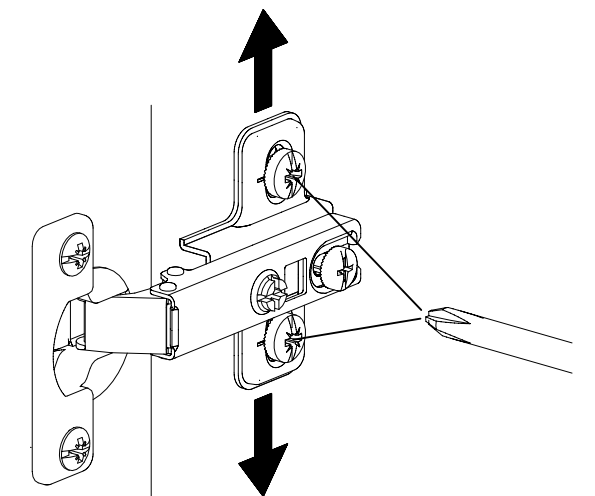
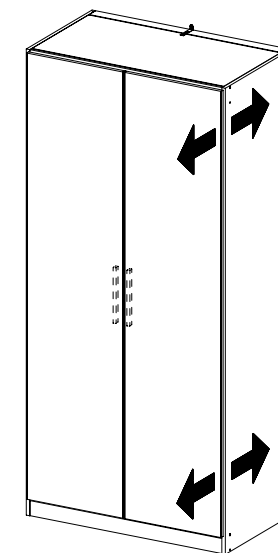
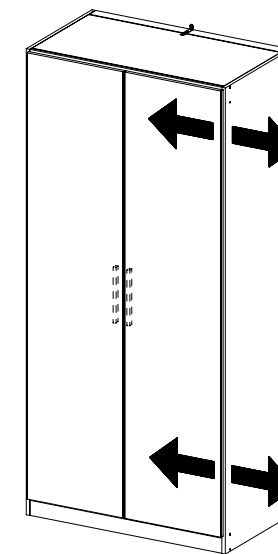
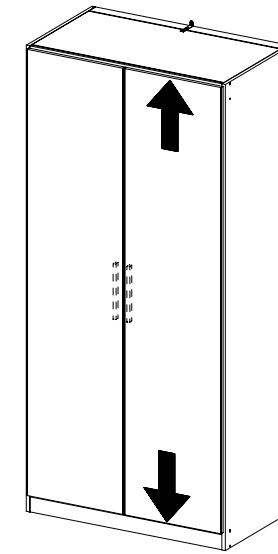
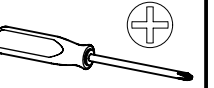
1.

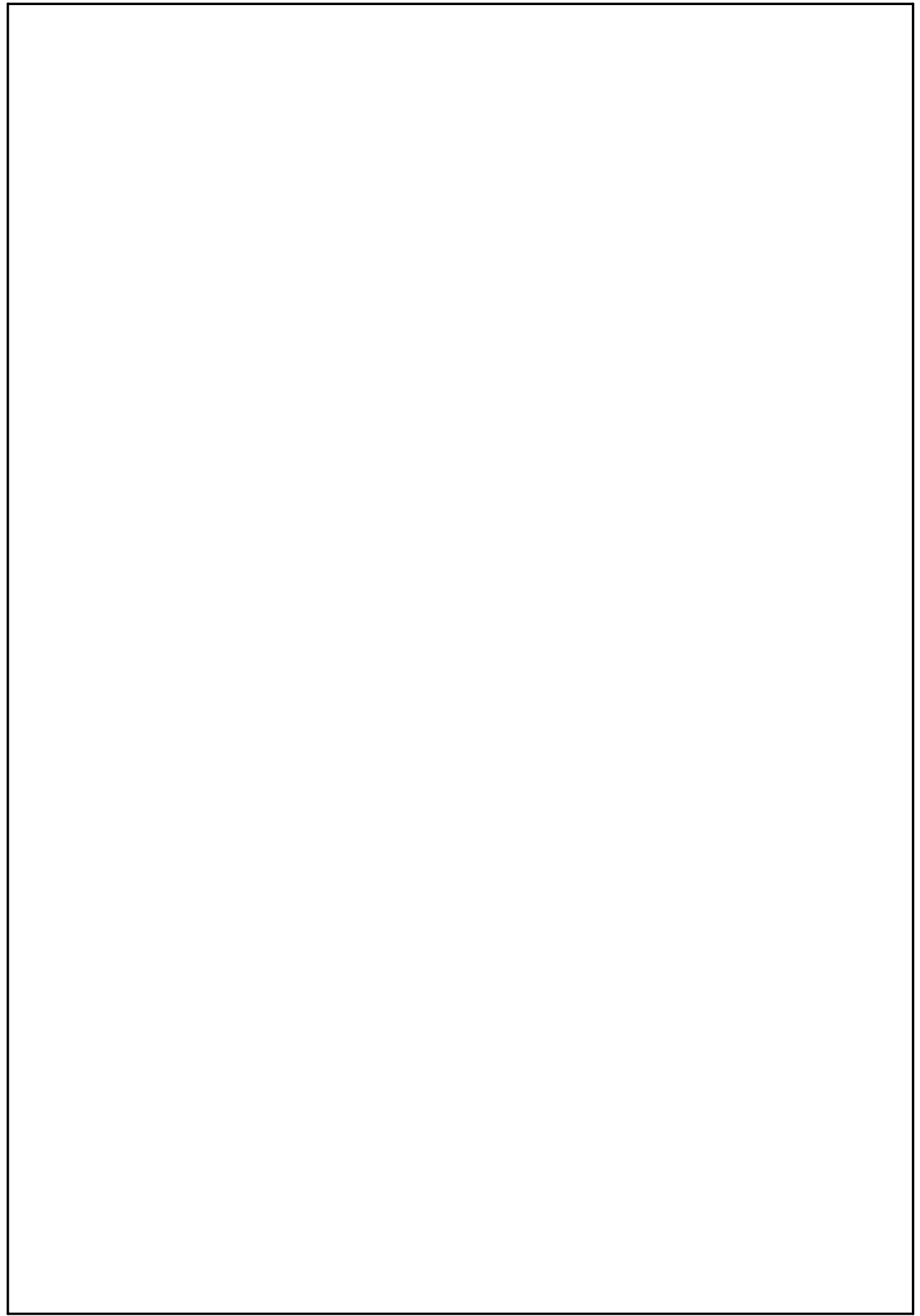
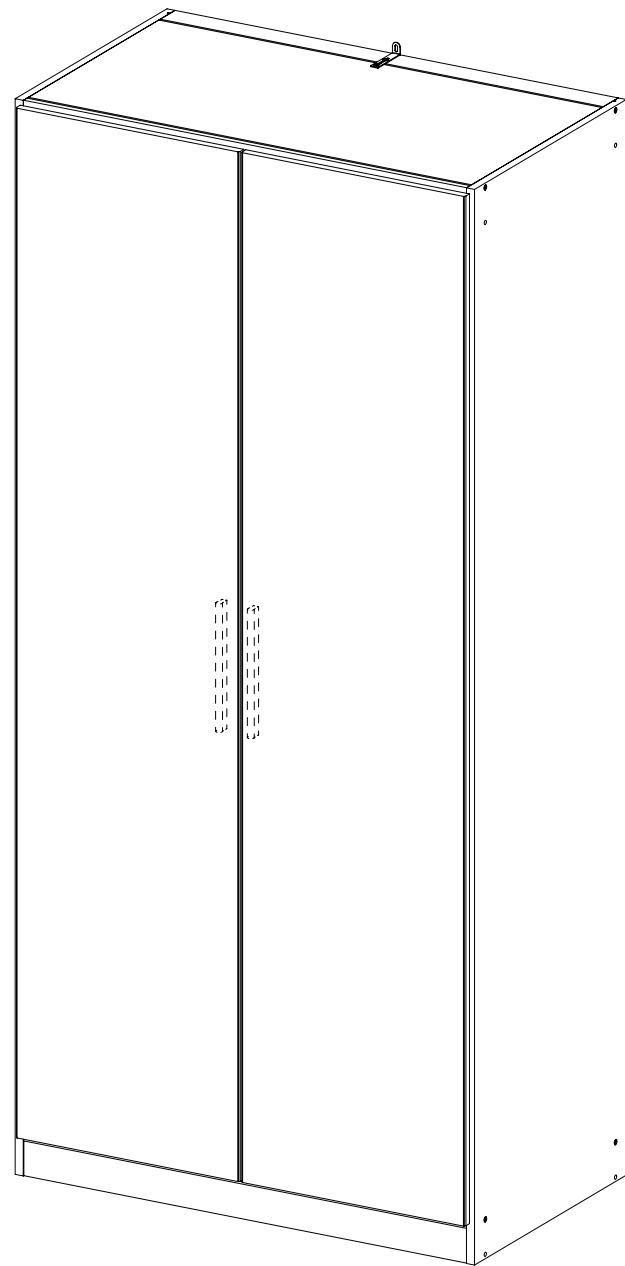


2.



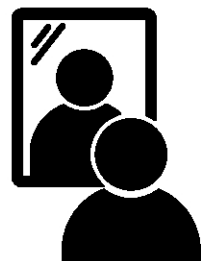
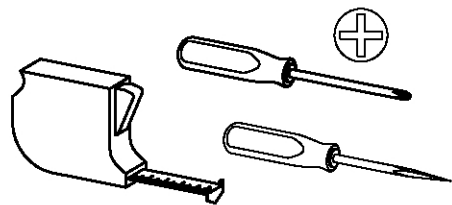
14



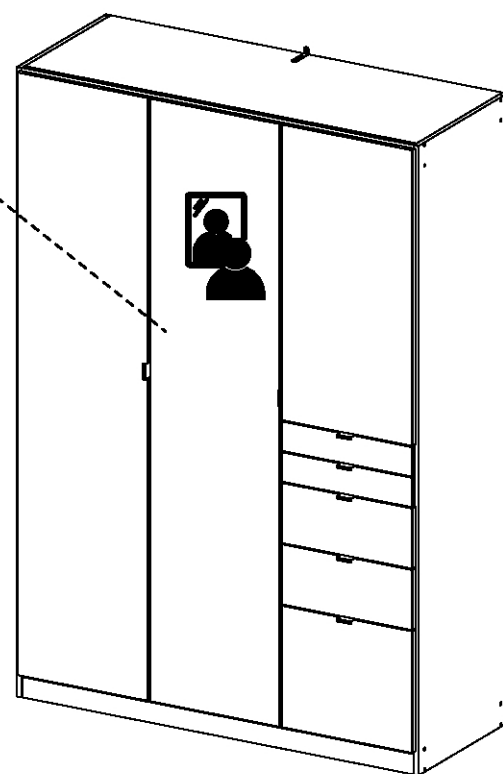
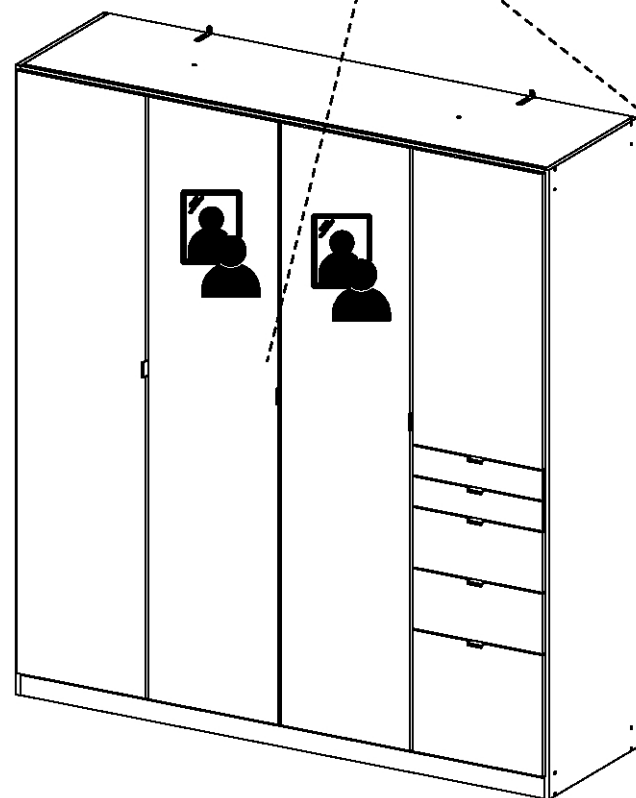
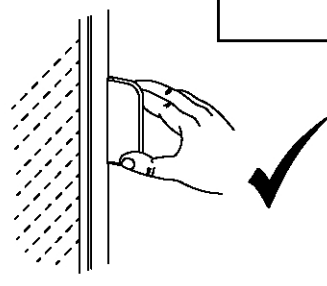
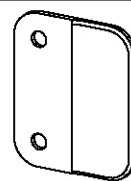


MZ178_01

rauch

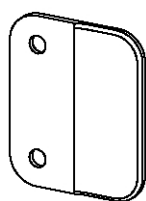


GR020



1x

GR020



2x

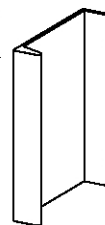
202

4,5x16



7x-8x

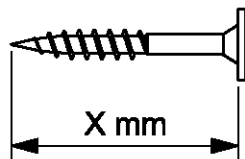
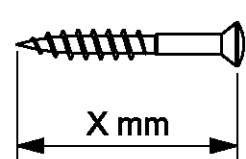
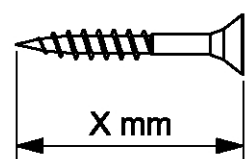
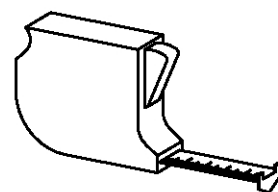
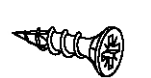
GR010



14x-16x

208

3,5x15



1

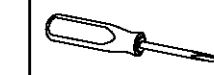
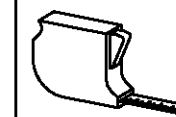
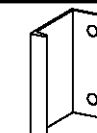
10x

208

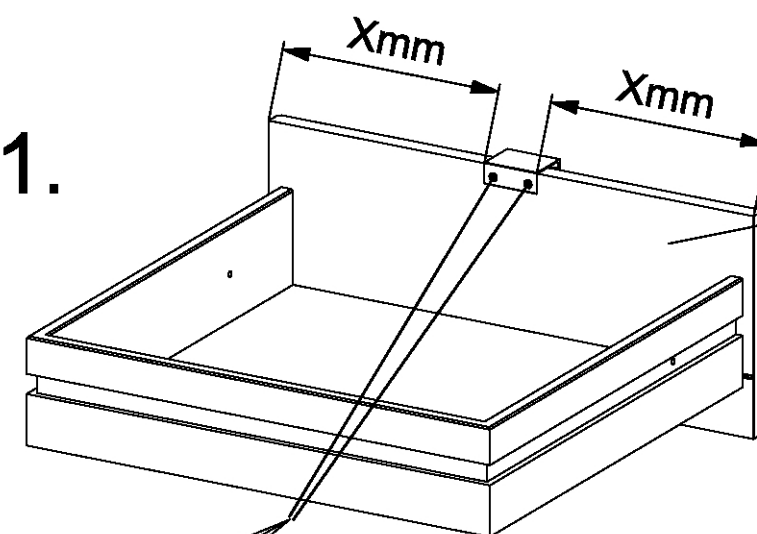
3,5x15

5x

GR010



1.



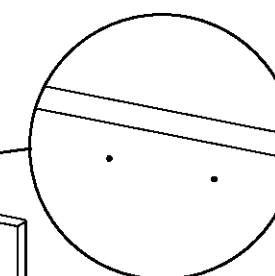
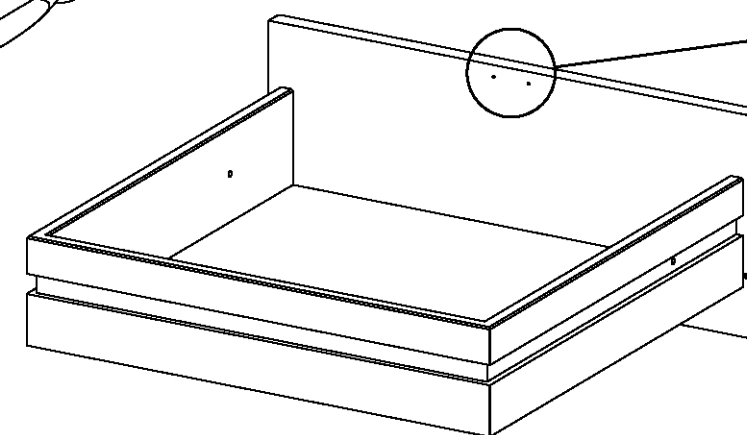
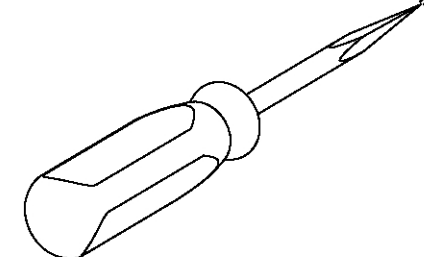
SK010

SK020

SK030

SK040

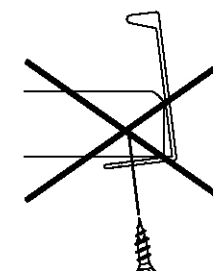
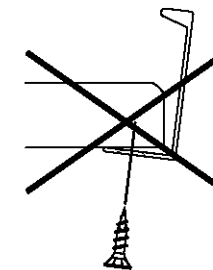
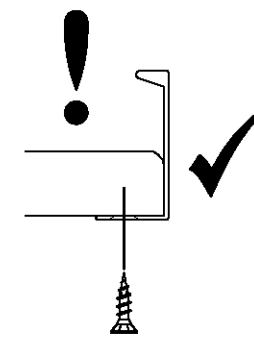
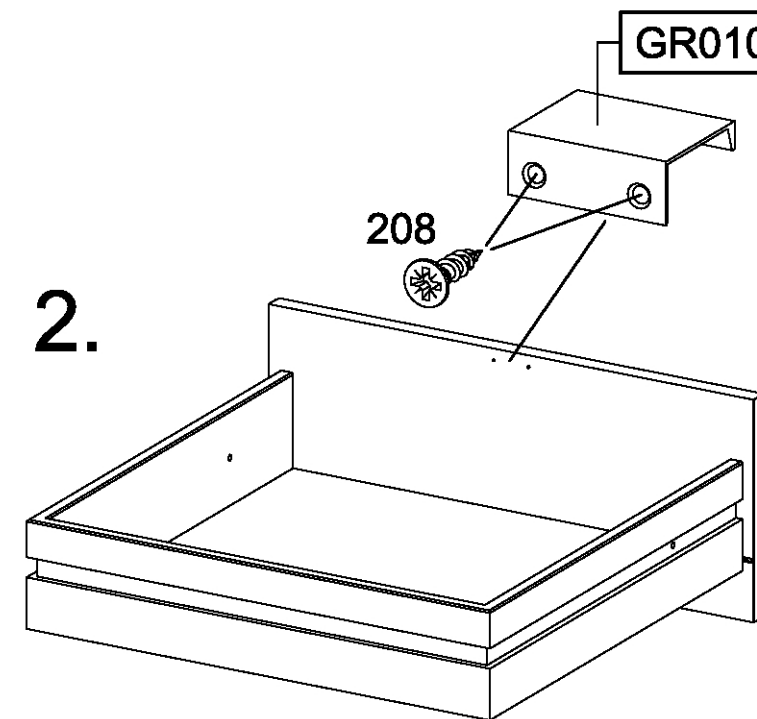
SK050



GR010

208

2.



2

2x 208 3,5x15 1x GR010

1.

GR010 50mm

2.

GR010 208

3

i

4 **2x-4x** (208) 3,5x15 **1x-2x** GR010

1. **2.**

GR010

208

3,5x15

Xmm

Xmm

5 **2x** (202) 4,5x16 **1x** GR020

1. **2.**

GR010

GR020

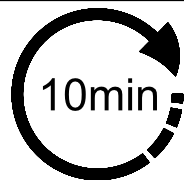
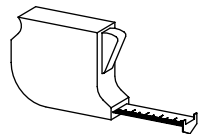
GR020

202

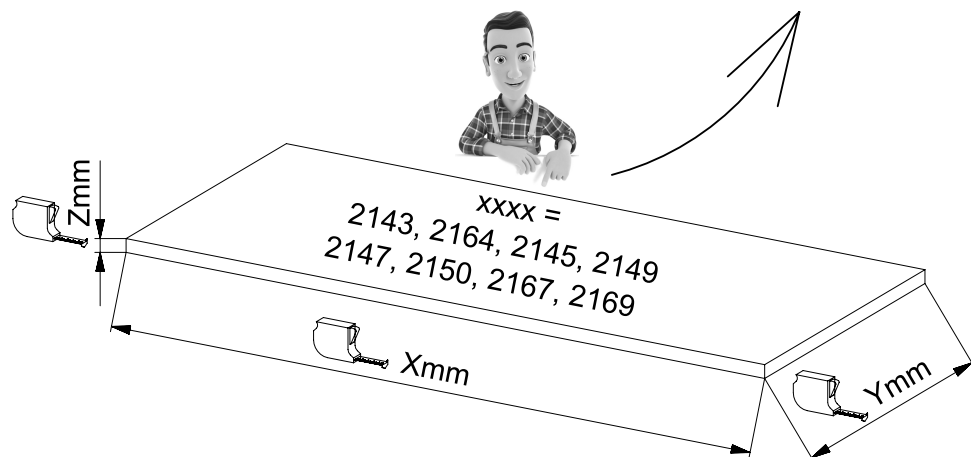
4,5x16

GR010

MZ112_05

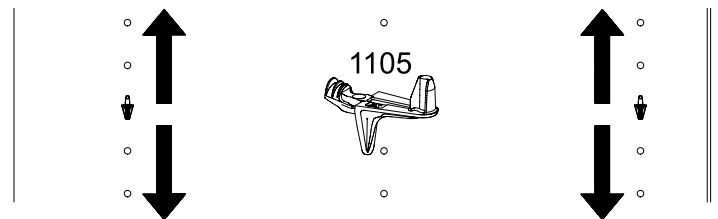


Xmm	Ymm	Zmm	max. 10kg	XXXX
432mm	450mm	16mm	max. 10kg	2143
632mm	450mm	16mm	max. 10kg	2164
656mm	450mm	16mm	max. 10kg	2145
848mm	450mm	16mm	max. 10kg	2149
880mm	450mm	16mm	max. 10kg	2147
1064mm	450mm	22mm	max. 25kg	2150
848mm	395mm	16mm	max. 10kg	2167
632mm	395mm	16mm	max. 10kg	2169

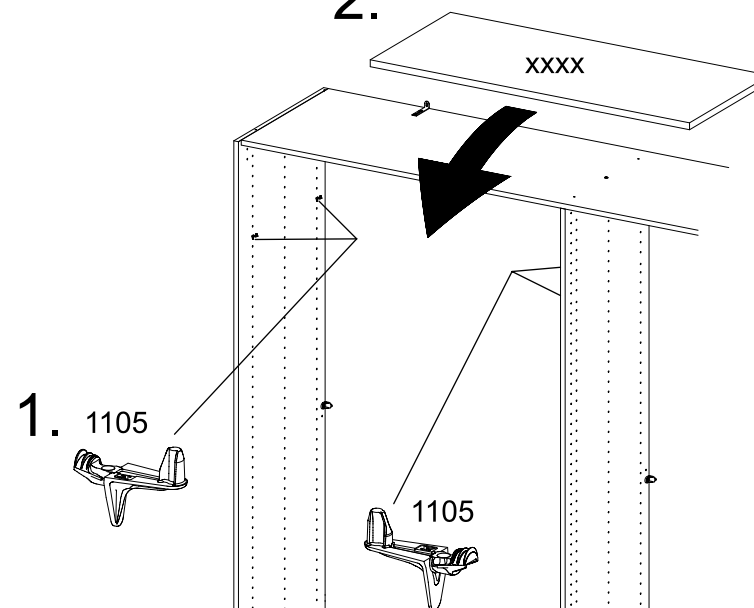


1

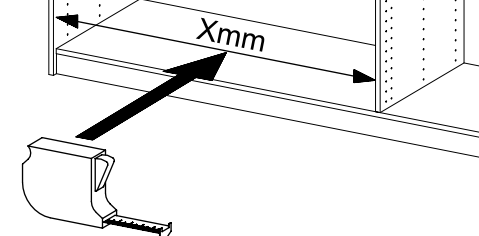
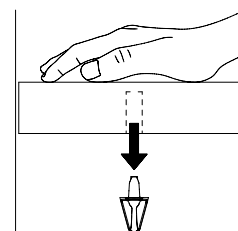
4x 1105



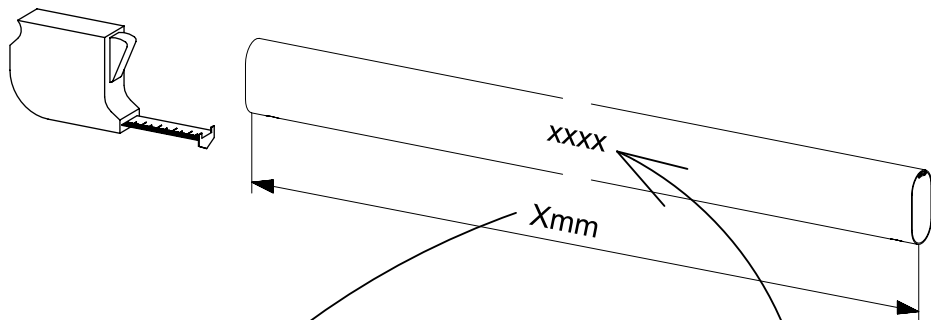
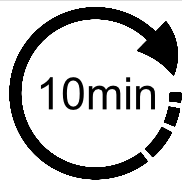
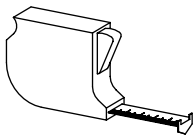
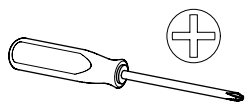
2.



3.



MZ110_04

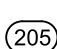



Xmm	 	xxxx
393mm	max. 40kg	2000
426mm	max. 40kg	2001
538mm	max. 40kg	2011
563mm	max. 40kg	2002
650mm	max. 40kg	2003
809mm	max. 40kg	2004
873mm	max. 40kg	2006
890mm	max. 40kg	2010
1097mm	max. 40kg	2008

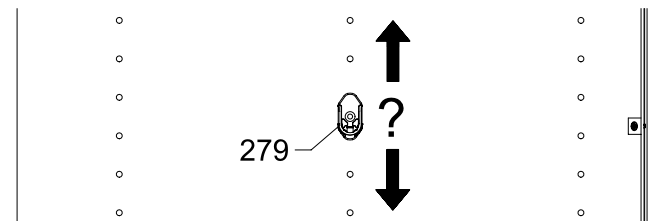
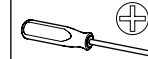
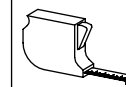


xxxx = 2000, 2001, 2002, 2003, 2004, 2006, 2008, 2010, 2011,

1

2x  3,5x15

2x 



2.

