

# **(EN) Assembly instructions**

**(DE) Montageanleitung**

**(SV) Monteringsanvisning**

**(FR) Notice de Montage**

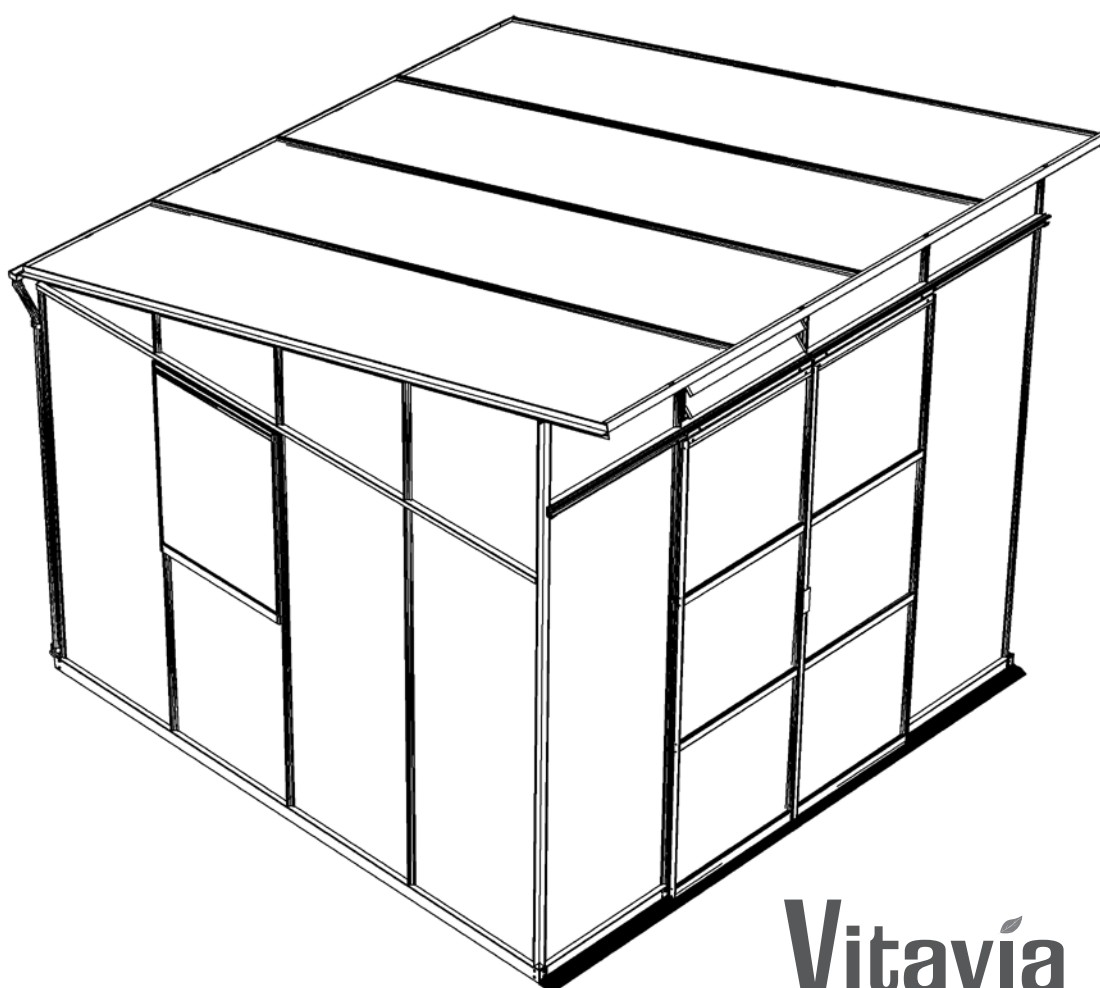
**(FI) Kokoonpano-ohjeet**

**(NL) Montage Instructies**

**(IT) Istruzioni di Montaggio**

**(DA) Montagevejledning**

**(PL) Instrukcja Montażu**


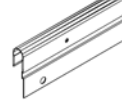


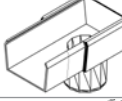
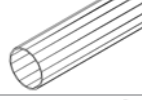
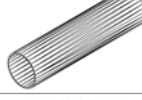

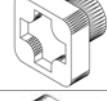

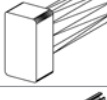
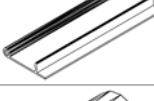

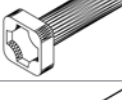
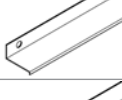




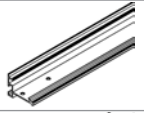


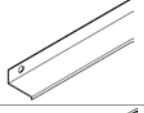


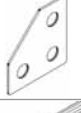

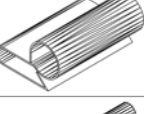
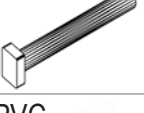
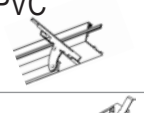
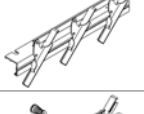
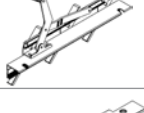


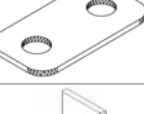

**Vitavía**  
- makes living grow


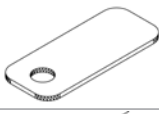
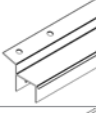
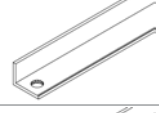
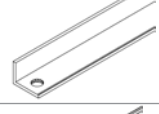
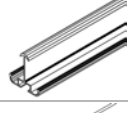
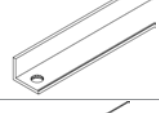

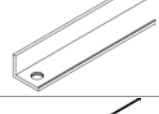
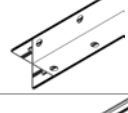
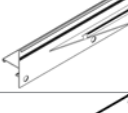
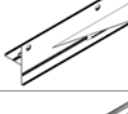





---

**VM0055-FL**  
**5900, 7600**

Item No.	Part	Sect. Ref.	Size mm	Quantity per	
				5900	7600
1001		0B-5	M6 x 12	170x	177x
1002		0B-6 9	M6	179x	206x
1003		5	3.5 x 16	32x	32x
1006		8	3.5 x 6	4x	4x
1007		5	M4	4x	4x
1008		6	3.5 X 19	4x	8x
1009		5	Ø8/4	4x	4x
1014		5	20	4x	4x
1015		5	Ø22	4x	4x
1020	PVC 	7 9	58000 70000	1x -	- 1x
1067		6	295	1x	2x
1092		1 3 4A	120	10x	10x
1304		5	M4 x 18	4x	4x
1318		7	30	4x	4x
1347		5	1257	2x	2x
1359		5	621	2x	2x
1360		5	621	2x	2x

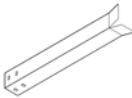
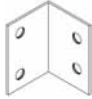

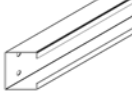
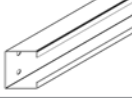
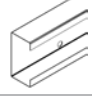
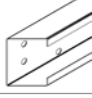
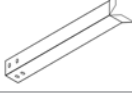


Item No.	Part	Sect. Ref.	Size mm	Quantity per	
				5900	7600
1361		5	621	4x	4x
1362		5	613	2x	2x
1402		8	36	6x	6x
1403		8	20	4x	4x
1408		8	75	2x	2x
1413		8	1470	2x	2x
1416		8	126	2x	2x
1417		8	20	2x	2x
1500		5	M6 x 5	2x	2x
1515		5	M6	2x	2x
2001		5R 6 9	M6 x 12	5x	13x
2005		5L	100	1x	1x
2006		5L	10	2x	2x
2007		4B	M6 x 22	4x	4x
2060		3	633	1x	1x
2061		3	633	1x	1x
2062		4B	2544	1x	1x

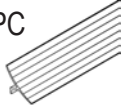
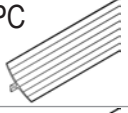
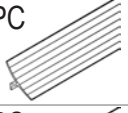
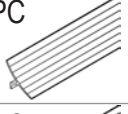
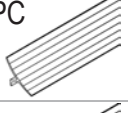
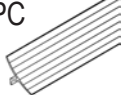
Item No.	Part	Sect. Ref.	Size mm	Quantity per	
				5900	7600
2063		5	1971	2x	2x
2064		5R	1971	1x	1x
2065		5L	1971	1x	1x
2073		1 2	2484	1x	3x
2089		3	619	1x	1x
2090		3	619	1x	1x
2092		1 2 3	37	8x	8x
2101		3	1963	2x	2x
2399		7	20	8x	8x
4201		4B	M6 x 45	-	12x
4202	PVC 	9	266	-	2x
4203		9	266	-	1x
4204		9	266	-	1x
4205		3	197	1x	-
4206		9	312.5	-	1x
4207		9	38	-	1x
4208		5L	35	1x	1x

Item No.	Part	Sect. Ref.	Size mm	Quantity per	
				5900	7600
4209		5R	35	1x	1x
4210		5	48	2x	2x
4226		1	2484	1x	1x
4230		3	2044	1x	1x
4231		3	2044	1x	1x
4232		1 2	1670	7x	9x
4233		1 4A	1716.5	4x	4x
4234		3	2480	1x	1x
4235		4A	1766	2x	2x
4236		1	1670	2x	2x
4239		4A	2313	1x	-
4240		4A	2313	1x	-
4241		4A	314	1x	1x
4242		4A	314	1x	1x
4243		4A	159	1x	1x
4244		4A	159	1x	1x
4245		4A	2954	-	1x

Item No.	Part	Sect. Ref.	Size mm	Quantity per	
				5900	7600
4246		4A	2954	-	1x
4247		6	610	1x	2x
4250		3	2484	1x	1x
4254		4B	2313	3x	-
4256		4B	2954	-	3x
4257		3	2130	1x	-
4258		3	2130	1x	-
4259		3	2285	-	1x
4260		3	2285	-	1x
4263		3	158	3x	-
4264		4B	2484	1x	1x
4267		3	313	-	3x
4268		4B	1926.5	3x	-
4269		4B	2565	-	3x
4271		2	2481.5	-	1x
4272		2	2481.5	-	1x
4273		4A	469	-	1x

Item No.	Part	Sect. Ref.	Size mm	Quantity per	
				5900	7600
4274		4A	469	-	1x
4275		4B	2484	1x	1x
4276	Nylon 	3	2484	1x	1x
4277		2	1859.5	1x	-
4278		2	1859.5	1x	-
4279		4B	2470	-	2x
5021	Nylon 	5	1991	2x	2x
5022		2	1862	2x	-
6019		6	636	1x	2x
6020		6	806	1x	2x
6021		6	806	1x	2x
6024		6	600	1x	2x
6025		6	600	1x	2x
6034	PVC 	6	3000	1x	2x
6056		6	46	2x	4x
6062		6	3.9 x 9	6x	12x
9002		4B	19	17x	19x

Item No.	Part	Sect. Ref.	Size mm	Quantity per	
				5900	7600
9101		0B	455	2x	2x
9105		0B	50	2x	2x
9106		0B	50	2x	2x
9114		0B	1922	2x	-
9116		0B	2544	1x	3x
9142		0B	663	1x	1x
9143		0B	663	1x	1x
9144		0B	455	1x	1x
9145		0B	455	1x	1x
9146		0B	57	2x	2x

Item No.	Part	Sect. Ref.	Size mm	Quantity per	
				5900	7600
* - Included with Glazing					
6601	PC 	7	1960	4x	4x
6605	PC 	7	610	8x	8x
6606	PC 	7	588	4x	4x
6608	PC 	7 9	1660	22x	27x
6614	PC 	7 (5900)	2303	10x	-
6615	PC 	7 (7600)	2944	-	10x

# Safety Warning

- PLEASE READ THESE INSTRUCTIONS CAREFULLY AND COMPLETELY BEFORE ASSEMBLING YOUR GREENHOUSE.**
- Sharp edges and corners can cause injury. Always wear protective glasses, gloves, shoes and headgear when handling the aluminium profiles, glass and polycarbonate sheets. Broken glass is a safety hazard – always clear up immediately and dispose of with care.
- The product you have purchased is intended only for growing plants and should only be used for this purpose. When used for other purposes we will take no responsibility.
- It is recommended that this greenhouse is assembled by two people.
- Should you encounter difficulties constructing this house, or in fitting the glass or polycarbonate sheets, please contact your retailer – **do not use force!**
- The greenhouse must always be anchored.

## Assembly Instructions

### SITE SELECTION

Always try to select a sunny location, sheltered from the wind as much as possible.

### IMPORTANT

Before assembling your new greenhouse, please check that all parts in the provided list are included. Please take each bundle out of the packaging in order to identify the parts better.

It is important that the opened bundles do not get mixed with one another.

If something is missing please contact your retailer.

**Important!** The UV-resistant side of the polycarbonate panes is indicated by the plastic film and printing at the edge. This side must face outside. Remove the film.

**Nuts (1002) - Max. tightening torque 3Nm.**

### NECESSARY TOOLS

Screw drivers (Normal and Crosshead PH2), 10 mm socket spanner or wrench, 10 mm combination spanner, knife, measuring stick, spirit level, fine tooth saw, Accu-drill with adjustable torque.

### MAINTENANCE

The greenhouse should be thoroughly washed with a gentle detergent occasionally. Please check that the detergent used does not react aggressively with aluminium or the glass fixing clips.

Ensure that the upper and lower door tracks are cleaned regularly to avoid a build up of debris.

### 0A. BASE

**Important!** The base must be exactly square and level.

**(Attention! Only when the greenhouse has to be located in a very windy and unprotected location:** Drill through both the profile at the base of the greenhouse and the steel base, and connect them with nuts and bolts.)

If you would rather construct your own stone

or concrete foundation, please follow the dimensions as specified in diagram 0A.

If you choose to use the anchor legs supplied with the steel base please make a hole at each point marked C. These will be filled with concrete after the assembly of the house is completed.

Foundations must extend down below the frost level.

**Diagrams in a single frame show the view from inside the greenhouse. Those enclosed in a double frame show the view from outside the greenhouse.**

### 0B. STEEL BASE

A zinc-coated steel base is delivered with the greenhouse.

We recommend the use of the anchor legs (9101), (9144) and (9145).

Assemble the parts as shown using bolts (1001) and nuts (1002).

**Important!** Ensure that a space of 1218 mm is left between the inside ends of base lengths (9142) and (9143) in the front of the greenhouse as shown.

Bend the ends of the anchor legs to provide a secure connection in the concrete.

Position the completed base on the prepared foundation.

**(Attention!** Concrete should be poured after the house is completely assembled.)

### 1. PLAIN GABLE END

Lay all of the parts on the floor and connect them loosely as shown.

Loosely connect the corner plates (1092) on the upper corners (1.7).

### 2. SIDE ASSEMBLY

Loosely connect glazing bars (4232) between the sill bars and horizontal bars.

### 3. DOOR GABLE END

Insert brush seal (4276) into the channel in ridge bar (4250) (3.6).

Lay all of the parts on the floor and connect

them loosely as shown.

Please include 2 extra bolts in glazing bars (2101) for the connection of brace (2092) (3.2) and horizontal braces (2089 / 2090) (3.4).

Loosely connect the corner plates (1092) on the upper corners (3.7).

### 4A. CONNECTING THE SEPARATE ELEMENTS

Bolt the plain gable end (section 1), side elements (section 2) and door gable end (section 3) together (4.1) (4.4) (4.5) (4.6).

Assemble the diagonal braces (4233) (4.3) and (4235) (4.2).

Loosely connect roof corner bars (4239 / 4240, 4245 / 4246) between the ridge bar (4250) and eave bar (4226) using corner plates (1092) (4.7) (4.10).

Loosely connect glazing bars (4241), (4242), (4243), (4244), (4273) and (4274) between horizontal bars (4271 / 4272, 4277 / 4278) and roof corner bars (4239 / 4240, 4245 / 4246) (4.8) (4.9).

### 4B. CONNECTING THE ROOF MIDDLE BARS

Lift the assembled structure onto the prepared steel base and connect loosely using clips (9002) (4.11).

Loosely connect the door runner bar (2062) to steel base lengths (9142) and (9143) using bolts (2007) inserted into the (2062) bolt channel (4.12) (4.13). The nuts (1002), inside the base, will be tightened after the doors have been positioned in section 5 (5.12).

Position and connect the roof glazing bars (4254 / 4256) over and to the eave bar (4.18) (4.19) and ridge bar (4.16) (4.17).

**(5900) Note:** It is necessary to include 2 extra bolts in the bolt channel in glazing bars (4254) at this point, to later connect the strengtheners (4.16).

Loosely connect the gutter bar (4264) to roof glazing bars (4254 / 4256) (4.18) **(5900)** (4.21) **(7600)** and both roof corner bars (4239 / 4240,



4245 / 4246) (4.14) (4.15).

**(5900)** Loosely connect roof strengtheners (4268) underneath glazing bars (4254) (4.19) (4.20). Insert the extra bolts in (4254) through the prepared holes (4.19).

**(7600)** Prepare cropped head bolts (4201) in the prepared holes in strengtheners (4269) (4279) (4.22) (4.23). Loosely connect roof strengtheners (4269) underneath glazing bars (4256) by inserting the bolt heads of bolts (4201) into the bolt channel in roof middle bars (4256) (4.24).

Loosely connect the end horizontal bar (4275) to roof glazing bars (4254 / 4256) and both roof corner bars (4239 / 4240, 4245 / 4246) (4.25).

Adjust the greenhouse until it is completely square and tighten all bolts.

**Please do not over tighten. (max. 3Nm)**

## 5L and 5R. DOORS

**Attention: Do not stand the assembled doors on the door gliders (1014) to avoid damaging them.**

Push the door gliders (1014) onto both ends of door bar (1360) (5.1).

Assemble the doors as shown in diagram 5.

Bolt door bar (1362) to upper bar (1359) (5.3) and slide door seals (5021) into door bars (2063) (5.5). Slide bolts (1500) into the bottom of the bolt channel holding brush seals (5021) and fix it in place using nut (1515) (5.6). Cut the door seals (5021) to length. Please ensure that for the inside side bar the part (2065) is used on the left in (5L) and (2064) on the right in (5R).

Connect door rollers (1015) to the door bar (1362) using bolt (1304), washer (1009) and nut (1007) (5.4).

Connect door runner bar (1347) onto horizontal bar (4234) (5.7). Connect spacers (4208) (5.9L), (4209) (5.9R) and (4210) (5.8) as shown.

Connect bolt (2001) at the join between both (1347) as shown (5R).

Now slide the door rollers into the door runner bar (1347) (5.10). Please ensure that the door gliders are also running on the bottom track (5.11). Once the doors are correctly in place, connect nuts and bolts into the ends of both door runner bars (1347), as door stoppers.

Tighten the nuts (1002) on bolts (2007) to pull (2062) tight against the base lengths (5.12).

Adjust the doors so that they move freely.

## 6. VENTS

**Note:** Warm window seal (6034) to room temperature! Press seal (6034) centrally onto the top edge of glass pane (8) (6.1). **Do not stretch.**

Make a cut into the seal at the corner (6.2) and then press the seal onto the side and bottom edges of pane (8), cutting to fit around each corner.

Fit vent bottom bar (6024) over the seal (6.3) and then side bars (6020) and (6021).

Connect these at the corners using screws (1008) (6.4).

Finish pressing the seal onto the top edge and cut to length in the middle. Fit the top vent bar (6025) and connect to side bars (6020) and (6021) with screws (1008) (6.5).

Ensure that the vent is totally square before tightening all screws.

Slide top vent bar (6025) into hinge bar (4247) (6.6).

Loosely connect hinge bar (4247) between glazing bars (4232) using bolts (2001) and nuts (1002) (6.7) (6.8).

Loosely connect vent sill (6019) between glazing bars (4232) using bolts (2001) and nuts (1002) (6.9).

Lift vent sill bar (6019) and fit it to the vent. When correctly positioned tighten all bolts on the inside.

Bolt the vent opener (1067) onto bar (6024) using screws (6062). Connect both vent fixers (6056) onto sill bar (6019) using screws (6062) (6.10) (6.11).

## 7. GLAZING – POLYCARBONATE / GLASS

**Please note the already mentioned safety precautions.**

On the roof fix the polycarbonate glazing panes in place using the wind fixing strips (6614 / 6615) (7.2).

**Note!** The 6mm polycarbonate panes must be assembled without using the glazing list (1020) on the profiles (7.1).

**Important!** The UV-resistant side is indicated by the plastic film and printing at the edge. This side must face outside. Remove the film.

**Note!** Completely remove the film only after the pane has been positioned in the greenhouse. (The panes are cut marginally shorter to allow for expansion in warm conditions).

In order to give the Polycarbonate panes extra stability connect them, in the middle of each pane, to the eave profile with Z profile (1318) (7.4) and at the ridge by pushing spacer (2399) onto the ridge bars (4250) & (4275) (7.3) (7.5).

Press the glazing seals (1020) onto the side and door aluminium profiles (7.6) and cut to length.

On the side and doors fix the glass panes in place using the wind fixing strips (6601 - 6608) (7.7).

**Note:** Please follow the plan to cut the wind fixing strips to fit the different positions (7.8).

If you've chosen polycarbonate sheets instead of glass panes, please use the instruction included in the box with the polycarbonate sheets.

## 8. DOWN PIPES

Connect the down pipe parts on both sides of the house as shown, (8.1) to (8.6). Ensure the connection (1417) is included between (1408) and (1402) (8.2).

## 9. LOUVRE (7600)

In the right field above the door, connect louvre sides (4203) and (4204) onto glazing bars (4267) using bolts (2001) and nuts (1002) (9.1) (9.3). Connect door strengthener (4206) using spacer (4207) over louvre side (4203) (9.1)(9.2).

Slide glass pane (13) into the ridge bar to sit on louvre sides (4203) and (4204) (9.6) and fix in place using a cut length of the wind fixing strips (9.4) (9.5).

Open the louvre holders (9.6) and slide panes (14) into the holders on both sides (9.7). Bend the aluminium ends to fix the panes in place (9.8).

## FINISHING

Fill the holes for the anchor legs with concrete.

The steel base should be connected to the foundation using screws and plugs (not provided).

If desired, it is possible to seal the greenhouse at the edges using neutral silicone. Silicone is not included.

Place the warning label inside the house.

A full range of accessories is available to help you make the most of this product. Please contact your local stockist for details.

## SAFETY NOTICE

In the event of high winds, close all doors and vents.

In the event of heavy snowfall, clear the roof of the building or take suitable measures to support the roof. Heat the building in winter.

## COMMENTS

For the complete protection of your new greenhouse, we advise you to include it in your house insurance. Please take note of possible building rules relating to the positioning of greenhouses.

Please stick the included greenhouse model label onto the door bar (1362) after successfully assembling this product. This information is important in the event that replacement parts are later required.

Please keep these Assembly Instructions in a safe place, for future reference!

Our policy is one of continuous improvement and we reserve the right to change the specifications without prior notice.

# Sicherheitsvorkehrungen

## 1. BITTE LESEN SIE DIESE MONTAGEANLEITUNG VOR BEGINN DES AUFBAUS SORGFÄLTIG UND KOMPLETT DURCH!

- Scharfe Kanten können zu Verletzungen führen. Bei der Handhabung von Aluminiumprofilen, Glas und Hohlkammerplatten sollten Sie immer eine Schutzbrille, Handschuhe, Schuhe und Kopfschutz tragen. Zerbrochenes Glas ist eine Gefahrenquelle – bitte entfernen Sie Glassplitter immer sofort und mit Vorsicht.
- Das von Ihnen erworbene Produkt ist ausschließlich für die Aufzucht von Pflanzen konstruiert und sollte auch ausschließlich dafür genutzt werden. Bei anderweitiger Nutzung ist jegliche Haftung ausgeschlossen.
- Für die Montage dieses Produktes sind zwei Personen erforderlich.
- Sollten Sie beim Montieren des Hauses oder beim Einsetzen der Verglasung Schwierigkeiten haben, dann setzen Sie sich bitte mit Ihrem Händler in Verbindung – **Wenden Sie keine Gewalt an!**
- Das Gewächshaus muss immer verankert werden.

## Aufbaubeschreibung

### STANDORTWAHL

Suchen Sie den sonnigsten, aber gleichzeitig auch einen windgeschützten Platz aus.

### WICHTIG

Bevor Sie mit der Montage Ihres Gewächshauses beginnen, überprüfen Sie, ob alle in der Liste aufgeführten Teile vorhanden sind. Nehmen Sie die einzelnen Bündel aus der Verpackung, um sie besser identifizieren zu können. Es ist wichtig, dass die geöffneten Bündel nicht durcheinander geraten. Fehlt etwas, dann setzen Sie sich bitte mit Ihrem Lieferanten in Verbindung.

**Schrauben (1002) - max. Anzugsdrehmoment 3 Nm.**

**Achtung** – Die UV-beständige Seite der Hohlkammerplatten ist durch eine Plastikfolie oder einen gedruckten Hinweis an den Kanten gekennzeichnet. **Diese Seite muss nach außen zeigen!**

### BENÖTIGTE WERKZEUGE

Schraubendreher (Schlitz und Kreuzschlitz PH2), Schraubenschlüssel 10 mm, Ring-Gabelschlüssel, Messer, Zollstock, Wasserwaage, Feinsäge, Akku-Schrauber mit einstellbarem Drehmoment.

### WARTUNG

Das Gewächshaus sollte hin und wieder gründlich mit einer milden Waschlauge abgewaschen werden. Das Glas kann mit einem Reinigungsmittel gesäubert werden, das weder den Aluminiumrahmen noch die Glasfederklammern angreift. Reinigen Sie die oberen und unteren Türlaufschienen regelmäßig.

### 0A. FUNDAMENT

**Wichtig!** Das Fundament muss absolut rechtwinklig und eben sein.

**(Achtung!** Nur wenn das Gewächshaus an einer sehr ungeschützten und windigen Stelle aufgebaut werden muss: Durchbohren Sie die Grundprofile und das Stahlfundament und verschrauben Sie beide mit Schrauben und Muttern miteinander)

Wenn Sie ein Fundament aus Stein oder Beton fertigen, dann richten Sie sich bitte nach den Maßangaben im Abschnitt 0A. Beachten

Sie bitte, dass bei Verwendung der Verankerungswinkel (9101), (9144), (9145) Löcher an den bezeichneten Punkten (C) ausgespart werden müssen.

Das Fundament muss frostfrei gegründet werden.

**Alle Zeichnungen sind von der Innenseite des Hauses gesehen abgebildet, mit Ausnahme der Abbildungen, die in einem Doppelrahmen dargestellt sind. Diese beschreiben die Außenansicht.**

### 0B. STAHLFUNDAMENT

Ein verzinktes Stahlfundament wird mitgeliefert. Wir empfehlen die Verwendung von Verankerungswinkeln (9101), (9144) und (9145). Füllen Sie die für die Verankerungswinkel vorbereiteten Löcher erst, nachdem das Haus komplett aufgebaut ist.

Die Teile wie abgebildet verschrauben mit Schrauben (1001) und Muttern (1002).

**Wichtig!** Bitte achten Sie darauf, dass eine Aussparung von 1218 mm zwischen den Endstücken der Fundamentprofile (9142) und (9143) an der Vorderseite des Gewächshauses verbleibt wie in der Abbildung gezeigt.

Die Enden der Verankerungswinkel biegen, um eine sichere Verankerung im Beton zu erhalten. Das fertige Stahlfundament auf das vorbereitete Streifenfundament legen.

**(Achtung!** Den Beton erst einfüllen, wenn das Haus komplett aufgebaut ist.)

### 1. GIEBELENDE OHNE TÜR

Legen Sie alle Teile auf dem Boden aus und verschrauben Sie sie lose.

Verschrauben Sie die Knotenbleche (1092) lose mit den oberen Ecken (1.7).

### 2. SEITENWÄNDE

Die Zwischenprofile (4232) lose mit den Bodenprofilen und Querstreben verschrauben.

### 3. GIEBELSEITE MIT TÜR

Schieben Sie die Bürstendichtung (4276) in den Kanal des Firstprofils (4250) (3.6). Legen Sie alle Teile auf dem Boden aus und verschrauben Sie diese lose.

Schieben Sie 2 zusätzliche Schrauben in die Verglasungsleiste (2101) zur Verbindung mit

(2092) (3.2) und der Querstreben (2089/2090) (3.4). Verschrauben Sie die Knotenbleche (1092) lose an den oberen Ecken (3.7).

### 4A. ZUSAMMENBAU DER WAND-ELEMENTE

Verschrauben Sie das Giebelende ohne Tür (Schritt 1), die Seitenwände (Schritt 2) und Giebelseite mit Tür (Schritt 3) miteinander (4.1) (4.4) (4.5) (4.6).

Die Diagonalprofile (4233) (4.3) und (4235) (4.2) montieren. Die Dacheckprofile (4239/4240, 4245/4246) lose zwischen Firstprofil (4250) und Traufenprofil (4226) mit den Knotenblechen (1092) verschrauben (4.7) (4.10).

Verglasungsleisten (4241), (4242), (4243), (4244), (4273) und (4274) lose zwischen den Querstreben (4271/4272, 4277/4278) und den Dacheckprofilen (4239/4240, 4245/4246) montieren.

### 4B. BEFESTIGUNG AN DER WAND

Das soweit zusammen geschraubte Gewächshaus auf das Fundament setzen und mittels Klammern (9002) lose mit dem Fundament verschrauben (4.11).

Die Türlaufschiene (2062) lose mit den Stahlfundament-Profilen (9142) und (9143) verschrauben und dafür die Leerschrauben (2007) aus dem Schraubenkanal (2062) benutzen (4.12) (4.13). Die Schrauben im Fundament (1002) werden erst in Schritt 5 nach dem Zusammenbau der Türen festgezogen (5.12).

Legen Sie die Dachzwischenprofile (4254 / 4256) auf das Traufenprofil (4226) (4.18) (4.19) und auf das Firstprofil (4250) (4.16) (4.17).

**Achtung:** Es ist erforderlich, dass an dieser Stelle zwei zusätzliche Schrauben in den Schraubenkanal der Dachzwischenprofile (4254) eingeführt werden, die dann später die Dachfensterschwelle und die Verstärker befestigen (4.16).

Das Dachrinnenprofil (4264) lose mit den Dachverglasungsleisten (4254/4256) (4.18) (**Modell 5900**) (4.21) (**Modell 7600**) und beiden Dacheckprofilen (4239/4240, 4245/4246) (4.14) (4.15) verschrauben.

**Modell 5900:** Die Dachverstärker (4268) lose mit den Dachzwischenprofilen (4254) (4.19) (4.20) verbinden. Die zusätzlichen Schrauben



durch die vorgebohrten Löcher in (4254) stecken. (4.19)

**Modell 7600:** Die Hammerkopfschrauben (4201) durch die vorgebohrten Löcher in den Dachverstärkern (4269) (4279) (4.22) (4.23) stecken. Die Dachverstärker (4269) lose mit den Dachzwischenprofilen (4256) verbinden indem die Schraubenköpfe (4201) in die Schraubenkanäle der Dachzwischenprofile (4256) (4.24) hineingeschoben werden.

Das horizontale Endprofil (4275) lose mit den Dachstreben ((4254/4256) und beiden Dacheckprofilen (4239/4240, 4245/4246 ) verbinden (4.25).

Justieren Sie das Gewächshaus bis es komplett gerade ist und ziehen Sie alle Schrauben fest an.

**Bitte übergreifen Sie die Schrauben nicht! (max. 3Nm).**

## 5L und 5R. TUEREN

**Achtung: Niemals die montierte Tür auf die Türgleiter (1014) stellen, damit sie nicht beschädigt werden!**

Die Türgleiter (1014) an den Enden in das Türprofil (1360) hineindrücken (5.1).

Die Türelemente, wie in der Zeichnung 5 gezeigt, zusammenschrauben.

Verschrauben Sie das Türprofil (1362) mit dem oberen Türprofil (1359) (5.3) und ziehen Sie die Türdichtungen (5021) in die senkrechten äußeren Türprofile (2063)(5.5). Führen Sie die Schrauben (1500) in den unteren Schraubenkanal, der die Bürstendichtungen (5021) hält, ein und verschrauben sie an dieser Stelle mit den Muttern (1515) (5.6). Schneiden Sie die Türdichtungen (5021) auf Länge. Achten Sie darauf, dass das innenliegende senkrechte Türprofil das Teil (2065) linksseitig montiert wird (5L) und das Teil (2064) rechtsseitig (5R).

Die Türrollen (1015), wie in (5.4) gezeigt, mittels der Schrauben (1304), Unterlegscheiben (1009) und Muttern (1007) mit dem Radgehäuse (1362) verschrauben.

Die Türlaufschiene (1347) mit dem Horizontalprofil (4234) verschrauben (5.7). Die Abstandswinkel (4208) (5.9L), (4209) (5.9R) und Zwischenscheibe (4210) (5.8) gemäß Abbildung verschrauben.

Die Schraube (2001) an der Verbindung zwischen beiden Türlaufschienen (1347) befestigen, wie gezeigt.

Die Türrollen können jetzt in das Türführungsprofil (1347) von der Seite eingeschoben werden (5.10). Bitte darauf achten, dass die Türgleiter auf dem senkrechten Steg des Bodenprofils laufen (5.11). Nachdem Sie die Tür richtig eingesetzt haben, setzen Sie Schrauben und Muttern als Türstopper an beide Enden der Türschiene (1347).

Schrauben (1002) und Muttern (2007) festziehen um (2062) an das Fundamentprofil heranzuziehen. (5.12).

Die Tür so einstellen, dass sie reibungslos läuft.

## 6. FENSTER

**Achtung:** Die Fensterdichtung (6034) auf Zimmertemperatur erwärmen! Die Dichtung (6034) mittig auf die obere Glasscheibe (6.1) drücken. **Bitte nicht aufziehen!**

An jeder Ecke (6.2) die Dichtung einschneiden

und dann auf die Scheibenränder der Scheibe (8) drücken. Dabei sicherstellen, dass die Schnitte über die Ecken passen (6.3). Das untere Fensterprofil (6024) über der Dichtung (6.3) anbringen und die Seitenprofile (6020) und (6021) montieren.

Verbinden Sie diese an den Ecken mit Hilfe der Schrauben (1008) (6.4).

Alle weiteren Ecken einschneiden und die Dichtung abschließend auf die obere Kante drücken und in der Mitte auf Länge kürzen. Das obere Fensterprofil (6025) montieren und mit den Seitenprofilen (6020) und (6021) mittels Schrauben (1008) verbinden (6.5). Sicherstellen, dass das Fenster absolut rechtwinklig ist, bevor alle Schrauben festgezogen werden.

Legen Sie die Fenster zum späteren Einbau an die Seite. Das obere Fensterprofil (6025) in das Scharnierprofil (4247) schieben (6.6). Jetzt die Profile (4247) mit den Schrauben (2001) zwischen den Zwischenprofilen (4232) befestigen (6.7) (6.8).

Fensterbankprofil (6019) mit den Schrauben (2001) zwischen den Zwischenprofilen (4232) befestigen (6.9)

Fensterbankprofil (6019) anheben und am Fenster anpassen.

Wenn alles richtig sitzt, alle Schrauben von innen festziehen.

Fensteröffner (1067) mit Profil (6024) mittels Schrauben (6062) verbinden.

Beide Fensterfeststeller (6056) mit dem Fensterbankprofil (6019) mittels Schrauben (6062) verbinden. (6.10) (6.11).

## 7. VERGLASUNG - HOHLKAMMERPLATTEN / GLAS

**Bitte beachten Sie die oben erwähnten Sicherheitsvorkehrungen!**

Befestigen Sie die Hohlkammerplatten des Daches mit Hilfe der Windsicherung (6614 / 6615) (7.2). Achten Sie darauf, dass die Dachplatten mittig liegen und parallel zu den Profilen verlaufen.

**Achtung!** Die 6mm Hohlkammerplatten müssen ohne Verglasungsstreifen (1020) auf die Profile gesetzt werden. (7.1)

**WICHTIG!** Die UV-beständige Seite der Hohlkammerplatten ist durch eine Plastikfolie oder einen gedruckten Hinweis an den Kanten gekennzeichnet. Diese Seite muss nach außen zeigen!

**Achtung!** Entfernen Sie die Folie erst komplett, nachdem die Scheibe in das Gewächshaus eingesetzt wurde. (Die Scheiben sind geringfügig kürzer geschnitten, damit sie sich bei warmer Witterung ausdehnen können).

Um den Hohlkammerplatten zusätzlich einen festen Halt zu geben, die Hohlkammerplatten mittig mit den Z-Profilen (1318) an den Traufenprofilen, wie (7.4) verbinden und am First eine Stützrolle (2399) auf die Firstprofile (4250) & (4275) schieben, wie (7.3) (7.5).

Drücken Sie die Glasdichtung (1020) auf die Alu-Profile (7.6) und schneiden Sie sie entsprechend auf Länge.

An den Seiten und Türen befestigen Sie die Glasscheiben mit Hilfe der Windsicherungsleisten (6601-6608) (7.7)

**Achtung:** Bitte halten Sie sich beim Zuschneiden der Windsicherungsleisten für die verschiedenen Positionen genau an den Plan. (7.8)

**Wenn Sie das Gewächshaus mit Hohlkammerplatten verglasen, richten Sie sich bitte nach dem Verglasungsplan, der den Hohlkammerplatten beiliegt.**

## 8. REGENABLAUFROHRE

Die Elemente der Regenablaufrohre wie in (8.1)-(8.6) gezeigt an beiden Seiten des Hauses anbringen. Achten Sie darauf, dass das Verbindungsteil (1417) zwischen (1408) und (1402) eingesetzt wird (8.2).

## 9. LAMELLEN-WANDFENSTER (7600)

In dem rechten Feld über der Tür die Gelenkarme der Lamellenwandfenster (4203) und (4204) mit den Verglasungsleisten (4267) mittels Schrauben (2001) und Muttern (1002) (9.1) (9.3) verschrauben. Türverstärker (4206) mit Abstandshalter (4207) mit dem Gelenkarm (4203) verschrauben. (9.1) (9.2).

Schieben Sie die Glasscheibe (13) in das Firstprofil, so dass sie auf den Seiten des Lamellenfensters sitzt (4203) und (4204) (9.6). und befestigen Sie diese mit Hilfe eines auf Länge geschnittenen Windsicherungsleiste (9.4) (9.5)

Öffnen Sie die Lamellenhalter (9.6) und schieben Sie die Scheiben (14) in beide Seiten (9.7).. Biegen sie die Aluminiumendstücke, um die Scheiben fest zu halten (9.8).

## DIE LETZTEN HANDGRIFFE

Füllen Sie die Löcher für die Verankerungswinkel mit Beton.

Das Stahlfundament mit Schrauben und Dübeln (nicht im Lieferumfang enthalten) mit dem Streifenfundament verbinden.

Wenn Sie es wünschen, können Sie das Gewächshaus an den vorhandenen Fugen mit neutralem Silikon abdichten. Das Silikon wird nicht mitgeliefert.

Den beiliegenden Warnungsaufkleber von innen aufkleben.

Ihr Lieferant hält ein reichhaltiges Sortiment an Gewächshaus-Zubehör für Sie bereit. Sprechen Sie ihn an.

## SICHERHEITSHINWEIS

Bei starkem Wind sollten alle Öffnungen und die Tür geschlossen werden.

Dächer von Gewächshäusern sind so rechtzeitig von Schnee zu räumen, dass keine gefährliche Schneebelastung eintreten kann.

## ANMERKUNGEN

Zum vollen Schutz des Gewächshauses empfehlen wir, es mit in Ihre Hausversicherung einzuschließen. Beachten Sie eventuell vorhandene örtliche Bauvorschriften.

Den mitgelieferten Typaufkleber nach erfolgter Montage des Gewächshauses auf das Radgehäuse (1362) kleben.

Die Typbezeichnung benötigen Sie zur Angabe bei der Bestellung evtl. benötigter Ersatzteile. Bitte heben Sie die Montageanleitung auf!

Alle Maßangaben sind Annäherungswerte. Technische Änderungen, welche der Weiterentwicklung unserer Produkte dienen, sind vorbehalten.

# Précautions d'emploi

## 1. VEUILLEZ LIRE ENTIEREMENT CETTE NOTICE DE MONTAGE AVANT DE COMMENCER L'INSTALLATION !

- Portez toujours des gants lorsque vous maniez des plaques de polycarbonate ou du verre. Les bords tranchants peuvent entraîner des blessures. On peut aussi se blesser avec les bords et coins tranchants des profilés en aluminium, il faut donc là encore toujours porter des gants !
- Le produit que vous venez d'acquérir est conçu pour la culture de plantes et doit être uniquement utilisé à cet effet. L'utilisation dans un autre cadre entraîne l'exclusion de toute garantie.
- Le montage de ce produit nécessite l'intervention de deux personnes.
- Si vous rencontrez des difficultés lors du montage de la serre ou de la pose des verres, veuillez contacter votre revendeur – **N'employez pas la force !**
- Il faut toujours fixer la serre avec des ancrages dans le sol ou sur une fondation en béton.

## Descriptif de la construction

### CHOIX DE L'EMPLACEMENT

Choisissez l'emplacement le plus ensoleillé et le mieux protégé du vent.

### IMPORTANT

Avant de commencer le montage de la serre, vérifiez que les pièces énumérées dans la liste sont au complet. Retirez les différents paquets de l'emballage, afin de mieux les identifier.

Mais attention de ne pas mélanger les paquets quand vous les ouvrez.

S'il manque quelque chose, veuillez contacter votre revendeur.

**Important!** Le côté résistant aux UV des plaques en polycarbonate, est indiqué par le film plastique et les impressions sur le bord. Ce côté doit faire face à l'extérieur. Retirez le film.

**Boulons (1002) - couple de serrage maximal 3Nm**

### OUTILS NECESSAIRES

Tournevis (plat et cruciforme PH2) 1 clé de 10  
Perceuse mèche métal de 6 mm. Gants. Tournevis cruciforme(PH2). Clé plate de 10. Un niveau.

### ENTRETIEN

La serre doit être lavée de temps en temps avec une lessive douce. Le verre se nettoie avec un détergent qui n'agresse ni le cadre en aluminium ni les clips à ressort des vitrages.

Veuillez s'assurer que les rails de porte supérieurs et inférieurs sont nettoyés régulièrement pour éviter l'accumulation de débris

### 0A. FONDATIONS

**Important !** Les fondations doivent être parfaitement perpendiculaires et planes.

**(Attention !** Uniquement quand la serre doit être montée à un emplacement non protégé et exposé au vent : percez le profil de base et les fondations en acier et vissez-les ensemble avec des vis et des écrous)

Cependant, si vous souhaitez poser des fondations en pierre ou en béton, merci de vous orienter alors sur les dimensions indiquées au paragraphe 0A. Lorsque vous utilisez les équerres d'ancrage (9101), (9144),

(9145), veillez à ménager les trous aux points marqués (C).

Les fondations doivent être à l'abri du gel.

**Tous les plans sont représentés de l'intérieur de la serre, à l'exception des figures représentées dans un double cadre, qui montrent une vue externe.**

### 0B. FONDATIONS EN ACIER

Des fondations en acier galvanisé sont fournies dans la livraison. Nous recommandons d'utiliser des équerres d'ancrage (9101), (9144) et (9145). Ne comblez les trous préparés pour les équerres d'ancrage qu'une fois que la construction est entièrement montée.

Vissez les pièces avec des vis (1001) et des écrous (1002) comme indiqué sur l'illustration.

**Important !** Merci de veiller à laisser un logement de 1218 mm entre les extrémités des profilés des fondations (9142) et (9143) à l'avant de la serre comme indiqué sur l'illustration.

Plier les extrémités des équerres d'ancrage pour obtenir un ancrage sûr dans le béton. Posez les fondations en aciers terminées sur la semelle filante préparée.

**(Attention !** Ne verser le béton qu'une fois que la construction est entièrement assemblée.)

### 1. EXTREMITÉ DE PIGNON

Etaler toutes les pièces sur le sol et les visser sans serrer.

Fixer sans serrer les équerres (1092) aux 2 coins supérieurs. (1.7)

### 2. COTES

Reliez, sans serrer les barres de vitrage (4232), entre les barres de seuil et les barres horizontales

### 3. PIGNON DE PORTE

Insérer le joint à brosse (4276) dans le canal de la barre de faite (4250) (3.6)

Poser toutes les pièces sur le sol et les relier, sans serre, comme indiqué.

Coulissez 2 boulons supplémentaires dans les

barres de vitrage, pour la connexion de l'entretoise (2092) (3.2) et les entretoises horizontales (2089/2090) (3.4)

Fixer sans serrer les équerres (1092) aux coins supérieurs (3.7)

### 4A. ASSEMBLAGE DES DIFFÉRENTS ÉLÉMENTS

Assemblez l'extrémité du pignon (section 1), les éléments latéraux (section 2) et l'extrémité du pignon de la porte (section 3) ensemble (4.4) (4.4) (4.5) (4.6).

Assemblez les diagonales (4233) (4.3) et (4235) (4.2).

Relier sans serrer les cornières de toit (4239/4240, 4245 8 4246) entre la barre de faite (4250) et la barre d'avant-toit (4226) en utilisant les équerres (1092) (4.7) (4.10).

Relier sans serrer les barres de vitrage (4241), (4242), (4243), (4244), (4273) et (4274) entre les barres horizontales (4271/4272, 4277/4278) et les cornières de toit (4239/4240, 4245 / 4246) (4.8) (4.9)

### 4B. RELIER LES BARRES DU MILIEU DU TOIT

Placez la serre telle que vous l'avez assemblée jusqu'à présent sur les fondations et vissez-la légèrement à celles-ci à l'aide des pinces (9002) (4.11).

Visser les rails de la porte (2062) en les serrant légèrement avec les profilés des fondations en acier (9142) et (9143) et utiliser pour cela les boulons (2007) du canal de vis (2062) (4.12) (4.13). Les vis ne sont serrées à fond sur les fondations (1002) qu'à l'étape 5 après l'assemblage des portes (5.12).

Positionner et relier les barres de vitrage de toit (4254/4256) au-dessus de la barre d'avant-toit (4.18) (4.19) et de la barre d'appui (4.16) (4.17).

**(5900) Remarque:** Il faut inclure 2 boulons supplémentaires dans le profilé du boulon dans les barres de vitrage (4254) à ce stade, pour connecter ultérieurement les renforts (4.16).

Raccorder sans serrer la barre de gouttière (4264) aux barres de vitrage de toit (4254/4256) (4.18) **(5900)** (4.21) **(7600)** et les deux barres de toit (4239/4240, 4245/4246)

(4.14) (4.15).

**(5900)** Relier librement les renforts de toit (4268) sous les barres de vitrage (4254) (4.19). (4.20). Insérez les boulons supplémentaires dans (4254) à travers les trous préparés (4.19).

**(7600)** Préparer les vis à tête rectifiée (4201) dans les trous préparés dans les renforts (4269) (4279) (4.22) (4.23). Relier sans serrer les renforts de toit (4269) sous les barres de vitrage (4256) en insérant les têtes de boulons des boulons (4201) dans le canal du boulon dans les barres du milieu du toit (4256) (4.24)

Relier sans serrer la barre horizontale d'extrémité (4275) aux barres de vitrage de toit (4254/4256) et aux deux barres de coin de toit (4239/4240, 4245/4246) (4.25).

Ajustez la serre jusqu'à ce qu'elle soit complètement carrée et serrez tous les boulons.

**Veillez ne pas trop serrer (max 3 Nm)**

## 5L. ET 5R. PORTES

**Attention de ne pas faire reposer la porte (une fois assemblée) sur les coulisseaux (1014) afin de ne pas les endommager.**

Enfoncer les coulisseaux de porte (1014) aux extrémités de la traverse inférieure de la porte (1360) (fig.5.1).

Assembler les parties de la porte comme indiqué sur le plan 5.

Fixer les deux roulettes de porte (1362) sur le haut de la porte (1359) (5.3) et faites glisser les joints de porte (5021) dans les barres de porte (2063) (5.5).

Faites glisser les boulons (1500) dans la partie inférieure des joints de la brosse de retenue du canal de boulon (5021) et fixez-le à l'aide de l'écrou (1515) (5.6).

Coupez les joints de la porte (5021) à la longueur voulue. Veillez vous assurer que pour la barre intérieure, la partie (2065) est utilisée à gauche dans (5L) et (2064) à droite dans (5R).

Raccorder les roulettes de porte (1015) à la barre de porte (1362) à l'aide du boulon (1304), de la rondelle (1009) et de l'écrou (1007) (5.4)

Raccorder la barre de guidage de la porte (1347) sur la barre horizontale (4234) (5.7). Connectez les entretoises (4208) (5,9 L), (4209) (5,9 R) et (4210) (5,8) comme illustré.

Connectez le boulon (2001) à la jonction entre les deux (1347) comme indiqué (5R).

Glissez maintenant les roulettes de porte dans la barre de guidage de la porte (1347) (5.10). Veillez vous assurer que les patins de la porte tournent également sur la voie inférieure (5.11). Une fois les portes correctement installées, raccorder les écrous et les boulons aux extrémités des deux barres de porte (1347), en tant que butoirs de porte.

Serrer les vis (1002) et les écrous (2007) à fond pour rapprocher (2062) du profilé des fondations. (5.12).

Ajustez les portes afin qu'elles bougent librement.

## 6. LUCARNES

**Remarque:** Chauffez le joint de la lucarne (6034) à la température ambiante!

Presser le joint (6034) au centre sur le bord supérieur de la vitre (8) (6.1). **N'étirez pas.**

Faites une entaille dans le joint au coin (6.2), puis appuyez sur le joint sur les bords latéraux et inférieurs de la vitre (8), en coupant pour faire le tour de chaque coin.

Monter la barre inférieure de lucarne (6024) sur le joint (6.3) puis les barres latérales (6020) et (6021). Connectez-les dans les coins à l'aide des vis (1008) (6.4).

Terminer en appuyant sur le joint sur le bord supérieur et couper à longueur au milieu. Monter la barre de lucarne supérieure (6025) et la relier aux barres latérales (6020) et (6021) à l'aide des vis (1008) (6.5).

Assurez-vous que la lucarne est totalement carré avant de serrer toutes les vis.

Faites glisser la barre de lucarne supérieure (6025) dans la barre de charnière (4247) (6.6).

Relier sans serrer la barre de charnière (4247) à l'aide des boulons (2001) et des écrous (1002) (6.7) (6.8).

Relier sans serrer le seuil de ventilation (6019) entre les barres de vitrage (4232) à l'aide de boulons (2001) et d'écrous (1002) (6.9).

Soulever la barre de seuil de ventilation (6019) et l'installer sur l'évent.

Une fois correctement positionné, serrer tous les boulons à l'intérieur.

Boulonner l'ouvre-lucarne (1067) sur la barre (6024) à l'aide des vis (6062).

Connecter les deux fixations de lucarnet (6056) sur la barre de seuil (6019) à l'aide des vis (6062) (6.10) (6.11)

## 7. VITRAGE - POLYCARBONATE / VERRE

**Veillez suivre les consignes de sécurité évoquées précédemment. (port de gants)**

Sur le toit, fixer les vitres en polycarbonate en utilisant les bandes de fixation au vent (6614/6615) (7.2)

**Remarque!** Les panneaux de polycarbonate de 6 mm doivent être assemblés sans utiliser la liste des vernis (1020) sur les profilés (7.1)

**Important!** Le côté résistant aux UV est indiqué par le film plastique et l'impression sur le bord. Ce visage doit faire face à l'extérieur. Retirez le film.

**Remarque!** Enlever complètement le film seulement après que la vitre ait été placée dans la serre. (Les vitres sont coupées légèrement plus courtes pour permettre une expansion dans des conditions chaudes.)

Afin de donner plus de stabilité aux vitres en polycarbonate, connectez-les, au milieu de chaque vitre, au profil d'avant-toit à profil Z (1318) (7.4) et à l'arête en poussant l'entretoise (2399) sur les barres (4250) & (4275) (7.3) (7.5).

Presser les joints de vitrage (1020) sur les profilés latéraux et en aluminium des portes (7.6) et les couper à longueur.

Sur le côté et les portes, fixez les vitres en place, chantez les bandes de fixation au vent (6601 - 6608) (7.7)

**Note:** S'il vous plaît suivez le plan pour couper les bandes de fixation au vent pour s'adapter aux différentes positions (7.8).

Si vous avez choisi des feuilles de

polycarbonate à la place des vitres, veuillez utiliser les instructions incluses dans la boîte avec les feuilles de polycarbonate.

## 8. DESCENTES D'EAU

Raccorder les pièces du tuyau de descente des deux côtés de la serre comme indiqué (8.1) à (8.6).

Assurez-vous que la connexion (1417) est comprise entre (1408) et (1402). (8.2).

## 9. LOUVRE (7600)

A la côté droite de la serre, au-dessus de la porte, raccorder les côtés des persiennes (4203) et (4204) aux barres de vitrage (4267) à l'aide des boulons (2001) et des écrous (1002) (9.1) (9.3).

Raccorder le renfort de porte (4206) à l'aide de l'entretoise (4207) par-dessus le côté persienne (4203) (9.1) (9.2).

Vitre latérale (13) dans la barre de faitage pour s'asseoir sur les côtés des persiennes (4203) et (4204) (9.6) et fixer en place en utilisant une longueur de coupe des bandes de fixation au vent (9.4) (9.5).

Ouvrez les porte-lames (9.6) et glissez les vitres (14) dans les supports des deux côtés (9.7). Plier les extrémités en aluminium pour fixer les vitres en place (9.8).

## FINITION

Comblez les perçages pour les équerres d'ancrage avec du béton.

Raccorder les fondations en acier à la semelle filante avec des vis et des chevilles (non comprises dans la livraison).

Si désiré, il est possible de sceller les vitres sur les bords en utilisant du silicone neutre. Silicone n'est pas inclus.

Placez l'étiquette d'avertissement à l'intérieur de la serre.

Une gamme complète d'accessoires est disponible afin que vous pourriez optimiser le confort de votre serre.

Veillez contacter votre revendeur local pour plus de détails.

## CONSIGNE DE SECURITE

En cas de grand vent, toutes les lucarnes et la porte doivent être fermées.

En cas de neige, enlever la neige du toit.

## REMARQUES

Pour une protection complète de la serre, nous recommandons de l'inclure dans votre assurance habitation. Respectez les éventuelles règles de sécurité locales en vigueur en matière de construction.

Une fois le montage de la serre effectué, coller l'autocollant signalétique fourni sur le logement de roue (1362).

Vous aurez besoin de ces données pour commander d'éventuelles pièces détachées.

Conservé soigneusement la notice de montage !

Conformément à notre politique d'amélioration constante, nous nous réservons le droit de modifier les spécifications de nos produits à tout moment et sans préavis.



# Veiligheidsvoorschriften

1. **LEEST U EERST DE GEHELE INSTRUCTIES DOOR ALVORENS TE BEGINNEN MET DE OPBOUW VAN DE KAS.**
2. Draag altijd handschoenen als u met glas, polycarbonaat platen of aluminium werkt, deze kunnen scherpe hoekjes en/of randen hebben die tot verwondingen kunnen leiden. Indien glas gebroken is dient u het veilig en meteen op te ruimen.
3. Het product dat u heeft gekocht is alleen bestemd voor het kweken van planten. Wanneer deze voor andere doeleinden zal worden gebruikt dragen wij hier geen verantwoordelijkheid voor.
4. Wij raden u aan de kas met twee personen in elkaar te zetten.
5. Mocht u problemen hebben het glas of polycarbonaat platen in te passen, neem dan contact op met uw leverancier. **Gebruik geen geweld.**
6. De kas moet altijd worden verankerd.

## Montage Instructies

### KIEZEN PLAATS

Probeer altijd een zonnige plaats te kiezen die zoveel mogelijk tegen wind beschermt is.

### BELANGRIJK

Controleer a.u.b. of u alle onderdelen op de meegeleverde lijst hebt voordat u begint aan het in elkaar zetten van uw nieuwe kas. Haal a.u.b. elk pakket uit de doos om de onderdelen beter te identificeren.

Het is belangrijk dat de open pakketten niet door elkaar gehaald worden.

Als er onderdelen ontbreken, neem dan a.u.b. contact op met uw leverancier.

**Belangrijk!** De UV-bestendige kant wordt aangegeven door de kunststoffolie en de bedrukking op de rand. **Deze kant moet naar buiten zitten.** Verwijder de folie.

**Moertjes (1002) - Max. aanhaalmoment 3Nm.**

### VEREISTE GEREEDSCHAPPEN

Schroevendraaiers (normale en kruiskop PH2), een 10 mm moer- of steeksleutel, een 10 mm combinatiesleutel, mes, maatstok, waterpas, accuboormachine met instelbaar moment, fijngetande zaag.

### ONDERHOUD

Om uw kas schoon te houden dient deze af toe grondig gereinigd te worden met een zacht reinigingsmiddel. Zorg er a.u.b. voor dat het reinigingsmiddel niet het aluminium aantast of de beglazingsclips.

Om te voorkomen dat zich vuil ophoopt in de deurrails, zal men deze regelmatig moeten schoonmaken.

### 0A. FUNDERING

**Belangrijk!** Let op dat de fundering haaks en waterpas staat.

**(Attentie!** Alleen als de kas op een erg windrijge en onbeschermd plaats staat dan moet u de kas en de fundering aan elkaar maken: boor dan gaatjes door het profiel onderaan de kas en de stalen fundering, en maak aan elkaar vast met behulp van moertjes en boutjes.)

Als u liever uw eigen stenen of betonnen fundering wilt gebruiken, volg dan a.u.b. de afmetingen in diagram 0A.

Als u ervoor kiest om de bij de stalen fundering geleverde verankeringspoten te gebruiken, maak dan een gat op elk punt dat met C is gemarkeerd. Deze worden met beton gevuld nadat de montage van de kas voltooid is.

De fundering moet tot beneden de vorstgrens zitten.

**Op de tekeningen met het enkelvoudige frame wordt de binnenkant van de kas getoond. Op de tekeningen met het dubbele frame wordt de kas van de buitenkant bekeken.**

### 0B. STALEN FUNDERING

Er wordt bij de kas een gegalvaniseerde fundering geleverd.

Wij adviseren om de verankeringspoten (9101), (9144) en (9145) te gebruiken.

Assembleer de onderdelen zoals aangegeven staat met boutjes (1001) en moertjes (1002).

**Belangrijk!** Zorg ervoor dat er zoals aangegeven een ruimte van 1218mm overblijft tussen de binnenkanten van de lange kanten van de fundering (9142) en (9143) vóór de kas.

Buig de uiteinden van de verankeringspoten om een stevige verbinding met het beton te krijgen.

Plaats de voltooide fundering op het voorbereide fundament.

**(Attentie!** Het beton moet worden gestort nadat de kas volledig in elkaar is gezet.)

### 1. ACHTERGEVEL

Leg alle onderdelen uit op de grond en schroef ze losjes aan elkaar zoals op de tekening.

Monteer de hoekplaatjes (1092) op de bovenhoeken (1.7).

### 2. ZIJKANTCONSTRUCTIE

Monteer de glasprofielen (4232) losjes tussen de vensterbankprofielen en de horizontale profielen.

### 3. DEURGEVEL

Plaats borstelafdichting (4276) in het kanaal in

het nokprofiel (4250) (3.6).

Leg alle onderdelen uit op de grond en schroef ze losjes aan elkaar zoals op de tekening.

Plaats 2 extra bouten in de glasprofielen (2101) voor de verbinding van de schoren (2092) (3.2) en horizontale schoren (2089/2090) (3.4).

Monteer de hoekplaatjes (1092) op de bovenhoeken (3.7).

### 4A. HET KOPPELEN VAN DE LOSSE ELEMENTEN

Verbind de achtergevel (sectie 1), de zijelementen (sectie 2) en de deurgevel (sectie 3) met elkaar (4.1) (4.4) (4.5) (4.6).

Monteer de diagonale schoren (4233) (4.3) en (4235) (4.2).

Monteer de hoekprofielen van het dak (4239 / 4240 4245 / 4246) losjes tussen het nokprofiel (4250) en het dakrandprofiel (4226) m.b.v. hoekplaatjes (1092) (4.7) (4.10).

Monteer de glasprofielen (4241) (4242) (4243), (4244), (4273) and (4274) losjes tussen de horizontale profielen (4271 / 4272, 4277 / 4278) en de hoekprofielen van het dak (4239 / 4240, 4245 / 4246) (4.8) (4.9).

### 4B. KOPPELEN VAN DE MIDDENPROFIELEN VAN HET DAK

Til de geassembleerde constructie op de geprepareerde stalen fundering en bevestig het geheel losjes met clips (9002) (4.11).

Verbind het deurrailprofiel (2062) losjes met in het boutkanaal (4.12) (4.13) gestoken boutjes (2007) met de lange zijden van de staalfundering (9142) en (9143). De moeren (1002), binnen de fundering, worden vastgedraaid nadat de deuren in paragraaf 5 zijn geplaatst (5.12).

Plaats en koppel de dakglasprofielen (4254/4256) boven en aan het dakrandprofiel (4.18) (4.19) en het nokprofiel (4.16) (4.17).

**(5900) Opmerking:** Het is noodzakelijk op dit punt twee extra bouten te plaatsen in het boutkanaal in de glasprofielen (4254), om later de verstevigers (4.16) te monteren.

Koppel het gootprofiel (4264) losjes aan de

dakgasprofielen (4254 / 4256) (4.18) **(5900)** (4.21) **(7600)** en aan beide dakhoekprofielen (4239 / 4240, 4245 / 4246) (4.14) (4.15).

**(5900)** Monteer de dakverstevigers (4268) losjes onder de glasprofielen (4254) (4.19) (4.20). Plaats de extra bouten in (4254) in de geprepareerde gaten (4.19).

**(7600)** Plaats de hamerkopbouten (4201) in de geprepareerde gaten van de verstevigers (4269) (4279) (4.22) (4.23). Monteer de dakverstevigers (4269) losjes onder de glasprofielen (4256) door de hamerkoppen van de bouten (4201) in het boutkanaal van de middenprofielen van het dak (4256) (4.24) te plaatsen.

Verbind het horizontale eindprofiel (4275) losjes met de glasprofielen van het dak (4254) (4256) en beide hoekprofielen van het dak (4239 / 4240, 4245 / 4246) (4.25).

Kijk na of de kas volledig haaks en waterpas staat en draai alle moertjes stevig aan.

**Belast deze niet met teveel kracht bij het aandraaien. (max. 3Nm)**

## 5L & 5R. DUBBELE DEUREN

**Attentie: Zet de gemonteerde deur niet op de deurgeleiders (1014), dit om beschadiging te voorkomen.**

Duw de deurgeleiders (1014) in beide kanten van het deurprofiel (1360) (5.1).

Assembleer de deuren zoals op de tekening in diagram 5.

Schroef het deurprofiel (1362) aan het bovengelegen profiel (1359) (5.3) en schuif de deurrubbers (5021) in de deurprofielen (2063) (5.5). Schuif bouten (1500) in de onderkant van het boutkanaal met borstelrubbers (5021) en zet deze vast op hun plaats met een moer (1515) (5.6). Snij de deurrubbers (5021) op de juiste lengte. Controleer of het profiel (2065) links zit (5L) en het profiel (2064) rechts (5R).

Verbind de deurwielletjes (1015) met boutje (1304), ringetje (1009) en moertje (1007) aan het deurprofiel (1362) (5.4).

Monteer het deurrailprofiel (1347) op het profiel van de zijkant (4234) (5.7). Sluit afstandhouders (4208) (5.9L), (4209) (5.9R) en (4210) (5.8) zoals afgebeeld. Monteer bout (2001) bij de onderlinge verbinding (1347) zoals op de tekening.

Schuif nu de deurwielletjes in het deurrailprofiel (1347) (5.10). Zorg ervoor dat de deurgeleiders aan de onderkant ook in de geleiding lopen (5.11). Als de deuren eenmaal op de goede plaats zitten, dan kunt u door middel van moertjes en boutjes op de einden van beide deurrailprofielen (1347) deurstoppes creëren.

Draai de moeren (1002) vast op de bouten (2007) om (2062) tegen de lange zijden van de fundering (5.12) vast te trekken.

Plaats de deuren zodat zij soepel lopen.

## 6. RAMEN

**N.B.:** Verwarm de raamafdichting (6034) tot kamertemperatuur! Druk afdichting (6034) midden op de bovenrand van de glasruit (8)

## (6.1). Niet uitrekken.

Maak op de hoek (6.2) een snede in de afdichting; druk dan de afdichting op de zij- en onderranden van ruit (8) en snij hem zo af dat hij rond elke hoek past.

Monteer het onderprofiel van het raam (6024) boven de afdichting (6.3) en dan de zijprofielen (6020) en (6021). Monteer deze op de hoeken m.b.v. schroeven (1008) (6.4).

Druk ten slotte de afdichting op de bovenrand en snij hem in het midden op lengte. Monteer het bovenprofiel van het raam (6025) en monteer het op de zijprofielen (6020) en (6021) met schroeven (1008) (6.5).

Zorg ervoor dat het raam volkomen haaks is alvorens alle bouten vast te draaien.

Schuif het bovenste raamprofiel (6025) in het scharnierprofiel (4247) (6.6).

Koppel het scharnierprofiel (4247) losjes tussen de glasprofielen (4232) met behulp van bouten (2001) en moeren (1002) (6.7) (6.8).

Koppel het raamprofiel (6019) losjes tussen de glasprofielen (4232) met behulp van bouten (2001) en moeren (1002) (6.9).

Til het kalfje van het raam (6019) op en monteer het aan het raam. Draai alle bouten vast aan de binnenkant als zij juist geplaatst zijn.

Bevestig de raamopener (1067) op profiel (6024) door middel van schroeven (6062) Monteer beide dakraamstoppen (6056) op het kalfje (6019) door middel van schroeven (6062) (6.10) (6.11).

## 7. BEGLAZING – POLYCARBONAAT / GLAS

**Denk u alstublieft aan de al eerder genoemde veiligheidsmaatregelen.**

Monteer de polycarbonaatglazen ramen op het dak op hun plek met behulp van de bevestigingsstrips (6614/6615) (7.2).

**N.B.!** De 6 mm polycarbonaat ramen moeten gemonteerd worden zonder gebruik te maken van de glaslijst (1020) op de profielen (7.1).

**Belangrijk!** De UV-bestendige kant wordt aangegeven door de kunststoffolie in de bedrukking op de rand. Deze kant moet naar buiten zitten. Verwijder de folie. **N.B.!** Verwijder de folie pas helemaal als de ruit in de kas is geplaatst. (De ruiten worden marginaal korter gesneden om uitzetting in warme omstandigheden toe te staan).

Om de polycarbonaat ramen extra stabiliteit te geven moet u deze in het midden van elk raam verbinden met een Z-profiel (1318)(7.4) en bij de nok door een afstandsbus (2399) op het nokprofiel (7.3) (7.5) te duwen.

Duw het rubberen beglazingsafdichtingen (1020) op de aluminium profielen van zijkant en deur (7.6) en snij ze op de juiste lengte.

Monteer de glazen ramen in de zijkant en de deuren op hun plek met behulp van de bevestigingsstrips (6601-6608) (7.7).

**N.B.:** Knip de bevestigingsstrips op maat volgens de tekening zodat ze op de verschillende posities passen (7.8).

## 8. VALPIJPEN

Monteer de onderdelen van de valpijp aan beide kanten van de kas zoals op de tekening, (8.1) tot (8.6). Zorg ervoor dat de aansluiting (1417) wordt opgenomen tussen (1408) en (1402) (8.2).

## 9. LOUVRE (7600)

Koppel in het rechter veld boven de deur louvre zijkanten (4203) en (4204) aan de glasprofielen (4267) met behulp van bouten (2001) en moeren (1002) (9.1) (9.3). Sluit de deur versterker (4206) met spacer (4207) over louvre zijde (4203) (9.1) (9.2).

Schuif glazen raam (13) in het nokprofiel op de louvre zijkanten (4203) en (4204) (9.6) en monteer ze op hun plek met behulp van een afgesneden lengte van de bevestigingsstrips (9.4) (9.5).

Open de louvrehouders (9.6) en schuif de ramen (14) aan beide kanten in de houders (9.7). Buig de aluminium uiteinden om de ramen op hun plek te monteren (9.8).

## AFWERKING

Vul de gaten voor de verankeringspoten met beton.

De stalen fundering moet door middel van schroeven en pluggen (niet meegeleverd) aan het fundament worden vastgemaakt.

Desgewenst kan de kas aan de randen worden afgedicht met neutrale siliconenkit. Silicone is niet inbegrepen.

Plaats het waarschuwingslabel aan de binnenkant van de kas.

Er is een compleet assortiment accessoires beschikbaar om dit product ten volle te benutten. Voor meer informatie kunt u contact opnemen met uw leverancier.

## VEILIGHEIDSREGELS

Sluit bij zware wind altijd alle deuren en ramen.

Houd bij zware sneeuwval het dak van de kas vrij of zorg voor een goede ondersteuning van het dak. Verwarm de kas in de winter.

## COMMENTAAR

Voor de gehele bescherming van uw nieuwe kas raden wij u aan om deze op te nemen in uw opstalverzekering. Denk er ook aan dat de kas aan alle bouwweisen moet voldoen en houd ook rekening met de plaats van de kas.

Plak alstublieft de inbegrepen sticker van het kasmodel op het deurprofiel (1362) nadat de kas succesvol is geïnstalleerd. Deze informatie is belangrijk voor het vervangen van onderdelen in de toekomst.

Bewaar de instructies op een veilige plek zodat u deze nog altijd kunt nalezen.

Ons beleid is gebaseerd op het continu verbeteren van onze producten en hierdoor behouden wij ons het recht voor om modellen te veranderen zonder verdere berichtgeving.



## 1. VENLIGST LÆS DENNE VEJLEDNING, INDEN DE GÅR I GANG MED AT SAMLE DERES DRIVHUS.

2. De bør altid bruge handsker, når De arbejder med polycarbonat eller glas. Der kan også være skarpe kanter på hjørner og kanter af aluminiumsprofiler. Fjern straks eventuelle glasskår.

3. Produktet er konstrueret som et drivhus beregnet til planteavl og er som sådan ikke konstrueret til at være helt tæt, da det er nødvendigt med udluftning bl.a. for at undgå kondensdannelse. Såfremt De ønsker at anvende drivhuset som et "uderum/stue" eller lign., gør vi udtrykkeligt opmærksom på, at drivhuset ikke er 100 % vandtæt, og vi påtager os ikke noget ansvar for eventuelle skader på løsøre el. lign., der er anbragt i drivhuset.

4. Til montage af dette produkt kræves 2 personer. Ved brug af trappestige bør denne under brug sikres af en person.

5. Skulle De få problemer med montagen, er de velkommen til at kontakte OPJ - **anvend ikke vold!**

6. Drivhuset bør gøres forsvarligt fast til undergrunden, se afsnit 0.

Vi ønsker Dem god arbejdslyst og håber, at De får rigtig mange gode stunder med og i Deres Vitavia drivhus.

## Montage

Når De har læst denne vejledning opfordrer vi Dem til at besøge [www.vitavia.dk](http://www.vitavia.dk), hvor De kan finde gode råd, downloadede vejledninger og desuden se instruktionsvideoer, der viser samling af Vitavia drivhuse.

### PLACERING

Vælg et solrigt sted, hvor der er mest mulig læ. Vær opmærksom på, at ved placering i nærheden af høje bygninger, træer mv. kan der opstå turbulens ved kraftig blæst. En sådan placering bør derfor undgås.

### VIGTIGT

Kontroller venligst efter indholdsfortegnelsen, at alle dele er medleveret. Tag de enkelte bundter ud af kassen for bedre at kunne kontrollere indholdet.

Det er vigtigt ikke at blande de åbnede bundter.

Hvis der mangler noget, kontakt venligst Deres forhandler/OPJ A/S.

**Vigtigt!** Den UV-bestandige side på polycarbonatpladerne er markeret med en folie. Denne side skal vende udad. Fjern folien før montage som beskrevet i afsnit 7PC.

**NB!** Såfremt De anvender en akku-maskine til samling af bolte og møtrikker, må momentet maksimalt være **3 Nm**.

### NØDVENDIGT VÆRKTØJ

Almindelig skruetrækker, skruetrækker (bits) PH2 og PZ2, 10 mm fastnøgle/topnøgle, 10 mm ring/gaffelnøgle, målebånd og loddestok/vaterpas, hobbykniv, skævbider, trappestige 1,80 m, akku-skruemaskine med moment.

### VEDLIGEHOJDELSE

Drivhuset bør lejlighedsvis rengøres grundigt med et mildt rengøringsmiddel som f.eks. Biolet drivhusrens. Dørskinnerne bør regelmæssigt rengøres og smøres med stearin/grafitolie.

### 0A. FUNDAMENT

**Vigtigt!** Anvend et vaterpas til at kontrollere, at soklen er vandret. Vær omhyggelig med at sikre, at krydsmålene er ens som vist på tegning 0. Derved sikres, at alle vinkler er 90°. Vi anbefaler, at drivhuset anbringes på et solidt fundament. Der medfølger en galvaniseret stålsokkel til denne model.

**NB!** Skal drivhuset placeres på et udsat sted, anbefaler vi, at man borer hul i bundskinnen

og stålsokkelen og skruer dem sammen med bolte og møtrikker. Dette gøres ud for de lodrette profiler i sider og gavle.

Ønsker De selv at bygge et sten- eller betonfundament, følg da dimensionerne, som er vist i afsnit 0. Fastgør en trykimprægneret træliste mellem fundamentet og bundskinnen på drivhuset som vist. Materialer til dette indgår ikke i leverancen.

Ved støbning af fundament bør dette gå ned i frostfri dybde. Derved reduceres risikoen for, at der opstår skader på huset som følge af frostpåvirkninger af jorden.

**NB!** Støbning/fastgørelse til undergrunden er i mange tilfælde et krav fra forsikrings-selskaber for at opnå forsikringsdækning på drivhuset. Vi anbefaler, at De kontakter Deres forsikrings-selskab for at høre om reglerne, der er gældende hos Deres selskab.

**Alle tegninger af drivhuset er set indefra, undtagen de tegninger, hvor der er dobbeltstreg udenom. Disse er set udefra.**

### 0B. STÅLSOKKEL

Der medfølger en el-galvaniseret stålsokkel til drivhus model VM0035-P.

Vi anbefaler, at De anvender de medfølgende nedstøbningsbeslag (9101), (9144) og (9145) uanset om De monterer drivhuset på en plan/helstøbt flade, eller om De vælger at foretage punktstøbning. Fra vores hjemmeside [www.vitavia.dk](http://www.vitavia.dk) kan De downloade en udførlig vejledning i punktstøbning.

Hvis De vælger at foretage punktstøbning anbefaler vi, at De i hvert af de 4 hjørner og midt på langsiden ved punkterne, der er markeret på tegning 0B, graver/borer et hul ned til frostfri dybde (50-90 cm afhængigt af lokale forhold).

Saml delene til soklen som vist ved hjælp af bolte (1001) og møtrikker (1002).

Som beskrevet i punktstøbningsvejledningen bøjes flapperne på nedstøbningsbeslagene, så de kan danne modhold i cementen.

Anbring den samlede stålsokkel på det klargjorte underlag/punktstøbningsstederne.

### 1. GAVL UDEN DØR

Placer delene på jorden og bolt dem løst sammen. Hjørneplade (1092) skrues løst på de øverste hjørner (1.7).

### 2. SAMLING AF SIDER

Monter løst sideprofilerne (4232) mellem

bundprofilen (2073 / 5022) og overligger (4271 / 4272 / 4277 / 4278).

### 3. GAVL MED DØR

Monter tætningsliste (4276) i sporet på tagrem (4250), (3.6).

Placer delene på jorden og bolt dem løst sammen. Hjørneplade (1092) skrues løst på de øverste hjørner (3.7).

Husk to ekstra bolte i (2101) til senere montage af beslag (2092), (3.2) og tværstivere (2089/2090), (3.4).

### 4A. SAMLING AF SIDEELEMENTER

Forbind baggavlen, siderne og dörgavlen (4.1), (4.4), (4.5) og (4.6).

Fastgør skrånstiverne (4233), (4.3) og (4235), (4.6).

Forbind løst tagafslutningsprofiler (4239/4240, 4245/4246) mellem tagremmen (4250) og tagafslutningsprofilen i fronten (4226) ved hjælp af hjørnebeslag (1092), (4.7), (4.10).

### 4B. MELLEMLSTE TAGPROFILER

Fastgør det samlede drivhusskelet løst til stålsoklen ved hjælp af sokkelkroge (9002), se (4.11). Når drivhuset er færdigsamlet kan yderligere sikring foretages som omtalt i afsnit 0A.

Forbind løst dørkøreskinne (2062) med sokkel (9142) og (9143) ved at anbringe bolte (2007) i sporet på dørkøreskinne (2062), se (4.12) og (4.13). Møtrikker (1002) skal først spændes, når skydedørene er monteret i afsnit 5 (5.12).

Placer tagprofilerne (4254/4256) på tagsafslutningsprofilen i hhv. front (4.16), (4.17) og baggavl (4.18), (4.18), og forbind tagprofilerne til disse.

**NB!** Ved (5900) er det nødvendigt at anbringe to ekstra bolte i sporet på profiler (4254) for senere at kunne montere afstivere (4.16).

Forbind løst tagrendeprofilen (4264) med tagprofilerne (4254/4256), (4.18) (5900) / (4.21) (7600) og med begge tagafslutningsprofiler (4239 / 4240, 4545/4246) (4.14), (4.15).

(5900) Monter løst tagafstiverne (4268) under tagprofilerne (4254), (4.19), (4.20). Husk ekstra bolte i (4254) gennem de forborede huller (4.19).

(7600) Monter bolte med tilfillede hoveder (4201) i de forborede huller i afstivere (4269) (4279), (4.22) (4.23). Monter løst afstiverne (4269) under tagprofilerne (4256) ved an-

bringe bolte (4201) i sporet på de mellemste tagprofiler (4256), (4.24).

Forbind løst overligger (4275) med tagprofilerne (4254/4256) og med begge tagafslutningsprofiler (4239/4240, 4245/4246), (4.25).

**Justér stellet indtil det er i lod, vinkel og vater og spænd alle møtrikker uden at overspænde – max 3nM.**

## 5L OG 5R. DOBBELTE SKYDEDØRE

**NB!** Undgå at stille de samlede døre på dørgliderne (1014).

Dørene samles som vist på tegning 5.

Tryk dørglider (1014) fast på enderne af dørrprofil (1360), se (5.1).

Hjulskinne (1362) skrues på øverste dørskinne (1359) (5.3). Montér tætningslister (5021) i de lodrette dørrprofiler (2063) (5.5).

Anbring bolt (1500) forinden i sporet på den lodrette dørrprofil (2063) til at holde tætningsliste (5021) på plads. Fastgør bolt (1500) med møtrik (1515) (5.6). Tætningslisten (5021) tilpasses i længden.

Vær opmærksom på at anvende (2064) som inderste lodrette dørskinne i højre side (5 R) og (2065) i venstre side (5L)

Skrue dørhjul (1015) på køreskinne (1362) med bolt (1304), skive (1009) og møtrik (1007) (5.4).

**NB!** Det er vigtigt at vende dørhjul (1015) som vist på (5.10).

Fastgør dørglideskinne (1347) til den forreste tagrem (4234), se (5.7). Montér beslag (4208) (5.9L), (4209) (5.9R) og (4210) (5.8) som vist.

Montér bolt (2001) ved overgangen mellem de to dørglideskinner (1347) som vist i den store cirkel (5R). Skub hjulskinnen (1362) ind i dørglideskinnen (1347), se (5.10). Sørg for, at nederste dørskinne kører på bundskinnen, se (5.11).

Når dette er gjort, monteres en bolt og møtrik som dørstop i begge ender af dørglideskinnen (1347), (5A.8) / (5.10).

Stram møtrikker (1002) på bolte (2007), således at (2062) spændes fast mod stålsoklens langsider (5.12).

Juster hjulskinnerne (1362), så dørene kører let.

## 6. VINDUER

Montér gummilisten (6034) på glasset (6.1). Gummilisten er lettest at montere, hvis den har stuetemperatur. Start med at montere gummilisten midt på den øverste glaskant (6.1). Undgå at trække i gummilisten.

Med en skævbider laves et snit i hvert hjørne (6.2), så gummilisten kan monteres rundt om hjørnerne på glas 8.

Den nederste vinduesprofil (6024) monteres på gummilisten (6.3). Derefter på sideprofilerne (6020) og (6021).

Hjørnerne samles ved hjælp af bolt (1008), se (6.4).

Gummilisten tilpasses i længden, så enderne støder sammen på overkanten af vinduet.

Sideprofilerne (6020/6021) boltes sammen med den øverste vinduesprofil (6025) med skrue (1008), se (6.5). Den øverste vinduesprofil (6025) monteres sidst.

**NB!** Inden boltene spændes, kontrolleres det, at vinduet er i vinkel ved at sørge for, at diagonalmålene er ens.

Skub hængselprofil (4247) ind over øverste

vinduesprofil (6025), se (6.6). Montér løst hængselprofil (4247) mellem sideprofiler (4232) med bolte (2001) og møtrikker (1002), se (6.7) og (6.8).

Forbind løst vindueskarm (6019) til sideprofilerne (4232) med bolte (2001) og møtrikker (1002), se (6.9).

Løft vindueskarm (6019), så den passer til vinduet, hvorefter alle møtrikker spændes indvendigt.

Montér udskyderstangen (1067) på nederste vinduesprofil (6024) ved hjælp af skrue (6062). Montér begge pløkker (6056) på underkarmen med skrue (6062) som i (6.10) og (6.11).

## 7A. TAGET - MONTERING AF POLYCARBONAT

**NB!** Der skal ikke anvendes gummiliste (1020) ved montering af 6 mm polycarbonatplader i taget, se (7.1).

Polycarbonatpladerne lægges på plads og fastgøres ved at klikke monteringslisterne (6614/6615) på plads, så den inderste korte flap går ned mellem glasset og alu-profilerne. Den yderste flap skal gå ud over glasset som i (7.2). Monteringslisterne tilpasses i længden med en hobbykniv, nedstryger eller en kraftig saks, se (7.8b).

**Vigtigt!** Den UV-beständige side er markeret med en folie og med jet-ink print ved kanten. Denne side skal vende udad. Folien løsnes let hele vejen rundt, men bør først fjernes helt, når polycarbonatpladen er monteret, da det er umuligt at se med det blotte øje, hvilken side af pladen, der er behandlet med UV-beskyttelse. Når pladerne er monteret, fjernes folien. Polycarbonatpladerne er bevidst skåret lidt kortere for at kompensere for varmeudvidelse. For at give polycarbonatpladerne øget stabilitet anbringes Z-profil (1318) i midten af hver plade forinden, således at (1318) griber fat i tagrendeprofilen (7.4). Foroven skubbes afstandestykke (2399) fast på tagremmen (7.3) (7.5).

## 7. TAGET - MONTERING AF GLAS

Bemærk venligst ovennævnte sikkerhedsforanstaltninger. Ved montering af glas kan De med fordel anvende sugekop/glasholder. Tryk gummiliste (1020) på aluminiumsprofilerne i siderne og dørene (7.6) og skær til i rette længde.

Glassene fastgøres ved at klikke monteringslisterne (6601-6608) på plads som beskrevet under 7A. Husk at tilpasse i længden (7.8b).

Hvis De har købt et drivhus med polycarbonat i stedet for glas, anvendes monteringsvejledningen, der ligger sammen med polycarbonatpladerne.

## 8. NEDLØBSRØR

Pres nedløbsstuds (1408) ind i den ene ende af tagrende (4264), se (8.1).

Overgangsstykke (1417) monteres mellem (1408) og bøjning (1402), se (8.2).

Montér overgangsstykke (1416) mellem den allerede monterede bøjning (1402) og yderligere en bøjning (1402), se (8.2). Nedløbsrøret (1413) skubbes derefter op på (1402) til det sidder fast.

Fastgør nedløbsrøret til hjørnestolpen ved at

montere et klembeslag (1403) øverst og et klembeslag (1403) nederst på nedløbsrøret (8.5). Klembeslag (1403) fastgøres til nedløbsrøret (1413) ved hjælp af skrue (1006), se (8.4) og (8.6). Udløbsbøjning (1402) monteres som vist i (8.4).

## 9. JALOUSIVINDUE (7600)

I det højre felt oven over døren forbindes jalousivindues sidestykker (4203) og (4204) til sideprofil (4267) ved hjælp af bolt (2001) og møtrik (1002) (9.1). Brug beslag (4207) som mellemlag og montér dørførstærker (4206) uden på jalousivindues sidestykke (4203) (9.1) (9.2).

Skub glasstykke (13) ind over jalousyderstykkerne (4203) og (4204) og op mod tagremmen. Fastgør glasset med et længdetilpasset stykke glasliste, (9.4) og (9.5).

Åbn jalousiet og anbring glasstykkerne (14) ved forsigtigt at lade disse glide ned i glasholderne på begge sider, se (9.7). Klem glasholderne sammen mod glasstykkerne for at fastholde disse på plads (9.8).

## FÆRDIGGØRELSE

Såfremt De har gravet/boret huller til nedstøbning af soklens nedstøbningsbeslag fyldes cement/beton i hullerne. Sikr, at drivhuset fortsat står i lod og vater.

Hvis drivhuset skal stå på en flisebelægning fastgøres stålsoklen nu til underlaget ved hjælp af skrue og rawplugs (ikke medleveret).

Hvis De ønsker at tætte hjørner og samlinger kan dette gøres med silikone (ikke inkluderet). Vær dog opmærksom på, at jo tættere huset er, jo mere kondens vil der blive dannet.

Ca. 2 uger efter færdiggørelse kontrolleres det, at alle møtrikker er spændt korrekt.

## SIKKERHEDSANVISNING

**Brug arbejdshandsker, da nogle af delene kan have skarpe kanter.**

Ved stærk blæst eller storm: Luk alle åbne vinduer og døre, afmontér eventuelle automatiske vinduesåbnere. Se også [www.vitavia.dk](http://www.vitavia.dk), hvor De finder gode råd til forebyggelse af stormskader.

Ved stormskade kan der være mange glastumper, som skal fjernes med stor forsigtighed for at undgå personskader.

I tilfælde af kraftigt snefald: Ryd drivhusets tag for sne og træf passende foranstaltninger til at understøtte taget f.eks. med en stolpe el. lign.

## ANMÆRKNINGER

Vi anbefaler, at De sørger for, at Deres husforsikring også dækker Deres drivhus. Overhold alle byggevedtægter. Kontakt Teknisk Forvaltning i Deres kommune, hvis De er i tvivl.

Vi forbeholder os ret til uden varsel at foretage løbende produktjusteringer. På [www.vitavia.dk](http://www.vitavia.dk) vil De altid kunne downloade den nyeste manual, som evt. kan afvige lidt fra Deres produkt. Manualen kan identificeres ved hjælp af en talkode trykt nederst på hver side. Ældre udgaver kan rekvireres på [opj@opj.dk](mailto:opj@opj.dk).

På [www.vitavia.dk](http://www.vitavia.dk) kan De også læse mere om vort store udvalg i tilbehørsartikler.

Alle målangivelser er ca.-mål.

Vi ønsker Dem god arbejdslyst og håber, at De får rigtig mange gode stunder med og i Deres Vitavia drivhus.

## 1. LÄS IGENOM MONTERINGSANVISNINGEN INNAN NI BÖRJAR MONTERA VÄXTHUSET.

- När man hanterar glas eller polykarbonat skall man alltid använda handskar. Vassa kanter kan förorsaka skador. Vassa kanter eller hörn på aluminiumprofilerna kan också förorsaka skador, använd därför även handskar vid montering av dessa.
- Produkten ni har köpt är avsedd för uppdrivning av växter och skall enbart användas till detta. Vid användning till annat bortfaller tillverkarens ansvar.
- Det krävs två personer för att montera detta växthus.
- Om det skulle visa sig svårt att montera växthuset eller att sätta i glaset eller polykarbonatet, skall råd begäras av växthuset återförsäljare.

### **Bruka ej våld.**

6. Växthuset måste fästas ordentligt i marken, se avsnitt OB

Vi önskar er lycka till och att ni får många trevliga stunder med ert växthus från Vitavia.

När ni har läst denna manual rekommenderar ni att ni besöker vår hemsida [www.bony.se](http://www.bony.se) för tips och råd samt monteringsvideo.

## Montering av växthuset

### PLACERING

Välj en solig plats med mesta möjliga solljus på taket. Välj en plats som är skyddad mot vind så mycket som möjligt. Tänk på att det i närheten av höga byggnader kan uppstå turbulens vid kraftig blåst. Undvik placering på sådana ställen.

### VIKTIGT

Innan monteringen av växthuset påbörjas, bör delarna kontrolleras mot detaljförteckningen. För att kunna identifiera delarna skall de packas upp ur lådan.

Det är viktigt att de öppnade buntarna inte blandas samman.

Om något saknas kontakta din återförsäljare.

**Viktigt!** Den Uv-beständiga sidan på polykarbonatet är markerad med en folie. Denna sida skall vara vänd utåt.

**OBS! Om ni använder en skruvdragare för montering får motståndet ej vara högre än 3NM**

### ERFORDERLIGA VERKTYG

Skruvmejslar, spår och stjärna (PH2 och PZ2, 10 mm fast nyckel, 10 mm ringnyckel, måttband, vattenpass, morakniv, stege.

### UNDERHÅLL

För att hålla växthuset rent skall det då och då tvättas med en svag lösning av rengöringsmedel, tex Biolet växthusrengöring. Glaset kan göras rent med något rengöringsmedel som inte skadar aluminiumprofilerna eller glasklämmorna. Dörrspåren bör göras rent kontinuerligt och smörjas med grafitolja.

### 0A. GRUND

Kontrollera att grunden är i vinkel och vågrät och att alla vinklar är 90°. Detta kan kontrolleras genom att kryssmäta som visat i ritning 0. Vi föreslår att växthuset monteras på en stadig sockel. Den som vill bygga en tegel- eller betonggrund bör följa dimensionerna som anges i avsnitt 0A. Montera läkt såsom bilden visar och borra igenom bottenprofilerna i mitten på varje fack. Lämna tillräckligt utrymme för

glaset och fäst växthuset med 12x50 mm skruvar. Om du väljer att använda de medföljande nedgjutningsjärnen, gör hål vid varje punkt märkt C i ritningen. Dessa hål ska fyllas med betong efter att huset monterats klart. Gjutning ska gå ned till frostrfritt djup.

**Alla bilder på växthuset är visade inifrån med undantag från de bilder som har dubbla ringar runt sig, dessa är visade utifrån.**

### 0B. STÅL FUNDAMENT

En elgalvaniserad sockel är inkluderad i leveransen. Vi rekommenderar att man använder de medföljande nedgjutningsjärnen (9101) (9144) och (9145). På utsatta platser bör man borra hål i bottenprofilen och sockeln och dra ihop dem med bult och mutter.

Montera delarna som visas med hjälp av bult (1001) och mutter (1002).

**VIKTIGT!** Se till att det finns utrymme på minst 1218mm kvar mellan sockeldelarna (9142) och (9143) för dörrarna, som visat i ritningen.

Böj "benen" på nedgjutningsjärnen för att uppnå bästa möjliga fäste i betongen.

Sätt den monterade sockeln på grunden.

**(OBS!)** Betong hålls på först när huset är helt monterat)

**OBS!** Vissa försäkringsbolag kräver att växthuset är fäst på nedgjutna plintar. Kontrollera vad som gäller hos ditt bolag.

### 1. GAVEL UTAN DÖRR

Lägg ut delarna enligt ritningen och fäst dem löst med skruv och mutter. Hörnplatta (1092) fästes löst på de översta hörnen (1.7)

### 2. SIDOR

Montera sidoprofilerna (4232) löst mellan bottenprofil (2073/5022) och takfotsprofilen (4271/4272/4277/4278)

### 3. GAVEL MED DÖRR

Montera tätningslisten (4276) på takfotsprofilen (4250) enligt (3.6)

Lägg ut delarna enligt ritning 3. Och fäst dem löst med skruv och mutter. Hörnplattan (1092) fästes löst på de övre hörnen (3.7)

Kom ihåg att föra in 2 extra skruvar (2101) för senare montering av (2092) (3.2) samt till tvärstag (2089/2090), se (3.4)

### 4A. MONTERING AV SIDO ELEMENTEN

Förbind gavel utan dörr, sidorna och gavel med dörr enligt (4.1), (4.4), (4.5) och (4.6)

Fäst tvärstag (4233) bak, (4.3) och (4235) fram, (4.2)

Fäst den övre takfotsprofilen (4239 / 4240, 4245 / 4246) mellan takfotsprofilen på framsidan (4250) och den bakre takfotsprofilen (4226) med hjälp av hörmbeslagen (1092) enligt (4.7) och (4.10)

Fäst glasningsprofilerna (4241), (4242), (4243), (4244), (4273) och (4274) mellan den övre och nedre vågräta takfotsprofilerna (4271 / 4272, 4277 / 4278) och takets hörnprofiler (4239 / 4240, 4245 / 4246) (4.8) (4.9).

### 4B. TAKET

Sätt upp växthuset på den färdiga sockeln och fäst det löst med hjälp av clips (9002) (4.11).

Fäst löst den undre dörrglidskenan (2062) på sockelns profiler (9142) och (9143) Med hjälp av bult (2007) som förts in i spåret på dörrglidskenan (2062) (4.12) (4.13). Muttrarna (1002) på insidan av sockeln dras åt först efter att dörrarna monterats i sektion 5 (5.12)

Placera ut de mellanliggande takprofilerna (4254 / 4256) ovanpå takfotsprofilen bak (4.18) (4.19) och på takåsprofilen i fronten (4.16) (4.17)

**OBS!** vid modell **5900** måste man föra in extra bultar i spåret på profil (4254) för att senare kunna montera takförstärkningarna (4.16)

Fäst löst hängränne profilen (4264) på takprofilerna (4254 / 4256), (4.18) (**5900**) / (4.21)



(7600) samt på bägge takfotsprofilerna på gavlarna (4239 / 4240), (4245 / 4246) (4.14), (4.15)

**5900** Montera löst takförstärkningarna (4268) under takprofilerna (4254), (4.19), (4.20) . Kom ihåg extra bult i (4254) genom de förborrade hålen (4.19)

**7600** Montera T-bult (4201) i de förborrade hålen i förstärkningarna (4269), (4.22) (4.23). Montera löst förstärkningarna (4269) under takprofilerna (4256) med bult (4201) i spåret på de mellanliggande takprofilerna (4256), (4.24)

Fäst överliggare (4275) löst på takprofilerna (4254/4256) och på takfotsprofilerna på gavlarna (4239/4240, 4245/4246), (4.25)

Justera stommen så den är rätvinklig, i lod, våg och vinkelrät.

**Drag åt bultarna lätt- max 3nM**

## 5L. OCH 5R. DUBBLA SKJUTDÖRRAR

**OBS! Ställ ej dörrarna på de monterade dörrgliden (1014)**

Dörrarna monteras som visat i ritning 5.

Tryck fast de undre dörrgliden (1014) på båda ändar av den nedre dörrprofilen (1360) (5.1)

Montera bägge hjulen (1015) på hjulskenan (1362) med bultar (1004), brickor (1009) och muttrar (1007) som visas i (5.4). **OBS!** Hjulet måste vara vänt åt rätt håll, se (5.8) Montera fast hjulskenan (1362) på den översta dörrprofilen (1359) (5.3). Montera dörrtättningslisten (5021) i dörrrens lodräta sidoprofiler (2063) (5.5) och klipp till dem i rätt längd.

Fäst en bult (1500) med mutter (1515) längst ned i spåret på de lodräta profilerna (2063) för att hålla dörrtättningslisten (5021) på plats (5.6)

Notera att lodrät profil (2064) skall vara innerst på höger dörr (5R) och passa mot (2065) på vänster dörr (5L)

Fäst dörrglidskenorna (1347) på den nedersta takfotsprofilen i fronten av växthuset (4234) se (5.7) . Montera en bult (2001) mellan de två dörrglidskenorna (1347) som visat i den stora cirkeln (5R). Skjut nu in dörrrens hjulskena (1362) i (1347) och kontrollera att dörrgliden (1014) glider rätt på bottenprofilen (5.11).

Fäst sedan en bult & mutter i vardera ände på dörrglidskenan (1347) som stopp (5A.8) / 5.10) Dra åt muttrarna (1002) på bult (2007) så att nedre dörrglidskenan (2062) blir dikt mot sockeln (5.12).

Justera dörren genom att lossa eller föra ihop de övre profilerna (1359 & 1362) så att den glider lätt.

## 6. TAKVENTILATION

Fäst gummilist (6034) på glaset (6.1). Gummilisten är lättast att montera om den är rumstempererad. Börja med att fästa gummilisten mitt på den övre glaskanten (6.1) undvik att dra i listen. Skär ett snitt i varje hörn (6.2) så gummilisten kan monteras runt hörnen på glas 8.

Fäst nu den undre profilen (6024) på gummilisten (6.3) därefter sidoprofilerna (6020) och (6021) Montera i hop hörnen med bult (1008) se (6.4) Klipp av gummilisten så att ändarna möts på överkanten på glaset.

Sidoprofilerna (6020/6021) fästes löst på den övre profilen (6025) med skruv (1008) se (6.5) Den översta profilen monteras sist.

**OBS!** Innan alla skruvar dras åt, kontrollera att fönstret är i vinkel och att diagonal mätten är samma.

Skjut gångjärnsprofilen (4247) över den övre fönsterprofilen (6025), se(6.6). Montera gångjärnsprofilen löst mellan sidoprofilerna (4232) i huset med bult (2001) och mutter (1002), se (6.7) och (6.8)

Fäst fönsterkarmen (6019) löst på sidoprofilerna (4232) i huset med bult (2001) och mutter (1002), se (6.9)

För fönsterkarmen (6019) uppåt tills den passar mot fönstret och drag åt muttrarna.

Fäst fönsterhaken (1067) på den nedre fönsterprofilen (6024) med skruv (6062) och de två hållarna (6056) på fönsterkarmen med skruvar (6062) som i (6.10) och (6.11).

## 7A. TAKET- MONTERING AV POLYKARBONAT

**Använd handskar, skivorna kan ha vassa kanter.**

**OBS!** det skall ej vara gummilist vid montering av 6 mm polykarbonat i taket, se (7.1)

Polykarbonat skivorna läggs på plats och fästes genom att klicka monteringslisterna (6614/6615) på plats, så den innersta korta flänsen går ned mellan polykarbonatet och aluminiumprofilerna. Den yttersta flänsen skall gå ut över glaset som i (7.2). Monteringslisterna skärs av i rätt längd men kniv, se (7.8)

**Viktigt!** Den UV-beständiga sidan av polykarbonatet har en skyddsfolie samt en markering på änden. Denna sida skall vara utåt.

Tag ej bort folien före montering då det inte går att avgöra vad som är in- och utsida utan denna. Notera att skivorna är skurna något korta då de expanderar av värmen.

För att öka stabiliteten på skivorna fästes en Z-profil (1318) i mitten på varje skiva längst ned mot hänggränsen så att (1318) griper tak i hänggränsen (7.4) (bak på huset). I fronten skjuts en distans (2399) fast på takåsen. (7.3)

## 7. GLASNING

Vänligen notera säkerhetsreglerna.

Fäst gummilisten (1020) på alla lodräta profiler och i dörrarna som visat i (7.5) och klipp dem i rätt längd.

Glaset fästes genom att klicka fast monteringslisterna (6601-6608) på plats som beskrivet under 7A.

Kom ihåg att skära av dem i rätt längd.

## 8. STUPRÖR

Pressa in stuprörsutkastet (1408) i den ena änden av hänggränsen (4264) se (8.1)

Övergången (1417) monteras mellan (1408) och böjen (1402) se (8.2)

Montera övergången (1416) mellan den redan monterade böjen (1402) och ytterligare en böj (1402), se (8.2). Stupröret (1413) skjutes upp på (1402) tills det sitter fast.

Fäst stupröret på hörnstolpen med klämbeslag (1403) överst och ett nederst på stupröret (8.5). Beslaget fästes på stupröret med skruv (1006), se (8.4) och (8.6) . Stuprörsböjen (1402) monteras som visat i (8.4)

## 9. JALUSIFÖNSTER (7600)

Jalusifönstret monteras i ett av fönstren ovanför dörren. De två sidostyckena (4203) och (4204) fästes på profilerna (4267) med bult (2001) och mutter (1002), se (9.1) och (9.2)

Skjut in en glasskiva (13) ovanför sidostyckena (4203) och (4204) och upp mot takåsen. Fäst glaset med en tillpassad bit glaslist, (9.3) och (9.4)

Öppna jalousiet och för in glasskivorna (14) försiktigt genom att låta dem glida ned i glashållarna på bägge sidor, se (9.6). Kläm ihop glashållarna mot glasskivorna så de sitter fast. (9.7)

## FÄRDIGSTÄLLNING

Fyll hålen där ni placerat nedgjutningsjärnen med betong.

Stålsockeln skall fästas i grunden med skruv och plugg (ej bifogade i sändningen)

Om det är önskvärt att växthuset tätas användes silikon för otomhusbruk i alla fogar. Notera att ju tätare hus desto mera kondens.

Två veckor efter montering kan det vara bra att efterdra alla muttrar

## SÄKERHETSFÖRESKRIFTER

Vid kraftig vind skall fönster och dörrar stängas och reglas. Montera bort eventuella automatiska fönsteröppnare.

Se även [www.bony.se](http://www.bony.se) där ni finner information om hur man kan förebygga stormskador.

Vid stormskador kan det bli mycket trasigt glas som skall transporteras bort.

Vid kraftigt snöfall: Tag bort all snö från taket och stötta eventuellt taket med en stolpe elr liknande.

Vi föreslår att växthuset inkluderas i hemförsäkringen.

Alla mått är ca-mått. Vi förbehåller oss rätten att utan förvarning göra löpande produktjusteringar. På [www.bony.se](http://www.bony.se) kan ni alltid finna den senaste manualen som eventuellt kan avvika från ert växthus.

## 1. LUE NÄMÄ OHJEET HUOLELLISESTI JA KOKONAAN ENNEN KASVIHUONEEN ASENNUSTA.

- Terävät reunat ja kulmat voivat aiheuttaa vammoja. Käytä aina suojalaseja, käsineitä, kenkiä ja päähinettä käsiteltäessä alumiiniprofiileja, lasi- ja polykarbonaattilevyjä. Lasinsirpaleet ovat turvallisuusriski – siivoa ne aina heti pois ja hävitä huolellisesti.
- Ostamasi tuote on tarkoitettu ainoastaan kasvien kasvattamiseen ja sitä tulee käyttää vain tähän tarkoitukseen. Jos tuotetta käytetään tarkoituksen vastaisesti tai väärin, valmistaja ei ota vastuuta mahdollisista vahingoista.
- On suositeltavaa, että kaksi henkilöä on kokoamassa tätä kasvihuonetta.
- Jos kohtaat vaikeuksia tämän kasvihuoneen rakentamisessa tai lasi- tai polykarbonaattilevyjen kiinnityksessä, ota yhteyttä jälleenmyyjään – **älä käytä voimaa!**
- Kasvihuone on aina ankkuroitava.

## Kokoonpano-ohjeet

### PAIKAN VALINTA

Yritä aina valita mahdollisimman aurinkoinen ja tuulensuojainen paikka.

### TÄRKEÄÄ

Ennen uuden kasvihuoneen kokoamista, tarkista, että kaikki pakkausluettelossa mainitut osat ovat mukana. Ota kukin nippu pois pakkauksesta, jotta osat voidaan tunnistaa paremmin.

On tärkeää, että avatut niput eivät sekoitu keskenään.

Jonkin osan puuttuessa, ota yhteys jälleenmyyjään.

**Tärkeää!** Polykarbonaattilevyjen UV-suojattu sivu osoitetaan muovikalvolla ja reunapainatuksella. Tämä sivu täytyy asentaa ulkopuolelle. Poista kalvo.

**Mutterit (1002) – kiristysmomentti enintään 3 Nm.**

### TARVITTAVAT TYÖ KALUT

Ruuvimeisselit (tasapäähä ja ristipää PH2), 10 mm:n hylsyavain tai kiintoavain, 10 mm:n yhdistelmäavain, veitsi, metrimitta, vesivaaka, hienohampainen saha, akkuporakone, jossa on momentinsäätö.

### KUNNOSSAPITO

Kasvihuone tulee pestä kunnolla silloin tällöin miedolla pesuaineella. Tarkista, että pesuaine ei reagoi aggressiivisesti alumiiniin tai lasin kiinnikkeisiin.

Varmista, että ylemmät ja alemmat ovikiskot puhdistetaan säännöllisesti, jotta vältetään lian kerääntyminen.

### 0A. SOKKELI

**Tärkeää!** Sokkelin tulee olla tarkasti suorassa kulmassa ja suora.

**(Huomautus!** Vain, jos kasvihuone on sijoitettava erittäin tuuliselle ja suojaamattomalle paikalle: Poraa sekä kasvihuoneen sokkeliprofiiliin että terässokkelin läpi ja yhdistä ne muttereilla ja pulteilla.)

Jos haluat mieluummin käyttää omaa kivi- tai betoniperustusta, noudata

kaaviossa OA ilmoitettuja mittoja.

Jos käytät terässokkelin mukana toimitettuja ankkureita, tee reikä kuhunkin C:llä merkittyyn kohtaan. Ne täytetään betonilla, kun kasvihuone on koottu.

Perustusten tulee ulottua routarajan alapuolelle.

**Kaaviokuvat, joissa on yksinkertainen kehys, ovat kasvihuoneen sisäpuolelta. Kuvat, joissa on kaksinkertainen kehys, ovat kasvihuoneen ulkopuolelta.**

### 0B. TERÄSSOKKELI

Kasvihuoneen mukana toimitetaan sinkitty terässokkeli.

Suosittellemme käyttämään ankkureita (9101), (9144) ja (9145).

Kokoa osat kuvan mukaisesti pulteilla (1001) ja muttereilla (1002).

**Tärkeää!** Varmista, että sokkeliosien (9142) ja (9143) sisempien päiden väliin jää kasvihuoneen edessä 1218 mm tilaa kuvan mukaisesti.

Taivuta ankkurien päitä, jotta varmistat niiden tukevan kiinnittymisen betoniin.

Aseta koottu sokkeli valmistellun perustuksen päälle.

**(Huomautus!** Vala betoni vasta kun kasvihuone on koottu kokonaan.)

### 1. OVETON PÄÄTY

Aseta kaikki osat lattialle ja yhdistä ne löyhästi kuten kuvassa.

Yhdistä nurkkalevyt (1092) löyhästi ylänurkkiin (1.7).

### 2. SIVUN KOKOONPANO

Yhdistä löyhästi lasituspalkit (4232) kynnyspalkkien ja vaakasuorien palkkien väliin.

### 3. OVIPÄÄTY

Työnnä harjatiiviste (4276) harjapalkin kanavaan (4250) (3.6).

Aseta kaikki osat lattialle ja yhdistä ne löyhästi kuten kuvassa.

Laita 2 ylimääräistä pulttia lasituspalkkeihin (2101) kannattimen (2092) (3.2) ja vaakasuoriin kannattimiin (2089/2090) (3.4) kiinnittämiseksi.

Yhdistä nurkkalevyt (1092) löyhästi ylänurkkiin (3.7).

### 4A. ERILLISTEN ELEMENTTIEN YHDISTÄMINEN

Kiinnitä pultilta oveton pääty (kuva 1), sivuelementit (kuva 2) ja ovipääty (kuva 3) yhteen (4.1), (4.4), (4.5), (4.6).

Asenna poikittaiset kannattimet (4233) (4.3) ja (4235) (4.2).

Yhdistä katon reunapalkit (4239/4240, 4245/4246) löyhästi harjapalkkien (4250) ja räystäspalkkien väliin (4226) käyttäen nurkkalevyjä (1092) (4.7), (4.10).

Yhdistä löyhästi lasituspalkit (4241), (4242), (4243), (4244), (4273) ja (4274) vaakasuorien palkkien (4271/4272, 4277/4278) ja katon reunapalkkien (4239/4240, 4245/4246) (4.8), (4.9) väliin.

### 4B. KATON VÄLIPALKKIEN YHDISTÄMINEN

Nosta koottu rakenne valmistellun terässokkelin päälle ja liitä löysästi kiinnittimillä (9002) (4.11).

Kiinnitä oven liukukisko (2062) löysästi terässokkelin osiin (9142) ja (9143) pulteilla (2007) työntämällä pultit liukukiskon (2062) pulttireikään (4.12) (4.13). Sokkelin sisällä olevat mutterit (1002) kiristetään, kun ovet on asetettu kohdassa 5 (5.12).

Sijoita ja yhdistä katon lasituspalkit (4254/4256) räystäspalkkeihin (4.18), (4.19) ja harjapalkkeihin (4.16), (4.17).

**(5900) Huomautus.** On tarpeen käyttää 2 ylimääräistä pulttia pulttireiässä lasituspalkkeissa (4254) tässä kohdassa, myöhempää yhdistämistä varten vahvistuksiin (4.16).

Yhdistä löyhästi kourupalkki (4264) katon lasituspalkkeihin (4254/4256) (4.18), **(5900)** (4.21) **(7600)** ja molemmat katon reunapalkit



(4239/4240, 4245/4246) (4.14), (4.15).

**(5900)** Yhdistä löyhästi katon vahvistukset (4268) lasituspalkkien alapuolella (4254) (4.19), (4.20). Työnnä ylimääräiset pultit lasituspalkkien (4254) valmisteltujen reikien läpi (4.19).

**(7600)** Valmistele vasarakantapultit (4201) valmisteltuihin reikiin vahvistuksissa (4269) (4279) (4.22) (4.23).

Yhdistä katon vahvistukset (4269) löyhästi lasituspalkkien alapuolelle (4256) työntämällä pulttien (4201) kannat pultinreikään välipalkeissa (4256) (4.24).

Yhdistä löyhästi päädyn vaakasuora palkki (4275) katon lasituspalkkeihin (4254/4256) ja molempiin katon reunapalkkeihin (4239/4240, 4245/4246) (4.25).

Säädä kasvihuonetta kunnes se on täysin suorakulmainen ja kiristä kaikki pultit.

### Älä kiristä liikaa. (Maks. 3 Nm)

#### 5L JA 5R. OVET

**Huomio! Älä aseta koottuja ovia liukupalojen (1014) varaan pystyyn, koska ne saattavat vahingoittua.**

Työnnä oven liukupalat (1014) ovipalkin molempiin päihin (1360) (5.1).

Kokoa ovet kuten on esitetty kaaviossa 5.

Kiinnitä pulteilla ovipalkki (1362) yläpalkkiin (1359) (5.3) ja liu'uta ovitiivisteet (5021) ovipalkkeihin (2063) (5.5). Työnnä pultit (1500) pulttikanan pohjaan, jossa ovat harjatiivisteet (5021) ja kiinnitä se paikoilleen mutterilla (1515) (5.6). Katkaise ovitiivisteet (5021) oikeaan pituuteensa. Varmista, että sisäpuolisena sivupalkkina osaa (2065) käytetään vasemmalla (5L) ja osaa (2064) oikealla (5R).

Yhdistä ovirullat (1015) ovipalkkiin (1362) käyttäen pulttia (1304), aluslevyä (1009) ja mutteria (1007) (5.4).

Yhdistä oven liukuprofiili (1347) vaakasuoraan palkkiin (4234) (5.7). Yhdistä välikappaleet (4208) (5.9L), (4209) (5.9R) ja (4210) (5.8) kuten kuvassa.

Kiinnitä pultti (2001) liitokseen osien (1347) väliin, kuten kuvassa esitetty (5R).

Liu'uta nyt ovirullat oven liukuprofiiliin (1347) (5.10). Varmista, että myös oven liukupalat liikkuvat oikein pohjaprofiilissa (5.11). Kun ovet ovat oikein paikallaan, yhdistä mutterit ja pultit molempien oven liukuprofiilien päähän (1347), ovenpysäyttimiksi.

Vedä (2062) tiukasti sokkelin osia (5.12) vasten kiristämällä pulttien (2007) mutterit (1002).

Säädä ovet niin, että ne liikkuvat vapaasti.

#### 6. TUULETUSAUKOT

**Huomautus.** Lämmitä tiiviste (6034) huone-lämpötilaan! Paina tiiviste (6034) keskitetysti lasin yläreunan päälle (8) (6.1). **Älä venytä.**

Tee viilto tiivisteeseen nurkassa (6.2) ja paina tiiviste kiinni lasin sivuun ja alareunoihin (8), leikaten sopimaan kunkin nurkan ympäri.

Kiinnitä tuuletusluukun alapalkki (6024) tiivisteeseen (6.3) yli ja sitten sivupalkkien (6020) ja (6021) yli.

Yhdistä nämä nurkissa ruuveilla (1008) (6.4).

Viimeistele painamalla tiiviste yläreunan päälle ja katkaise keskellä.

Asenna tuuletusluukun yläpalkki (6025) ja yhdistä sivupalkkeihin (6020) ja (6021) ruuveilla (1008) (6.5).

Varmista, että tuuletusluukun kehys on täysin suorakulmainen ennen kaikkien ruuvien kiristämistä.

Siirrä ylätuuletuspalkki (6025) saranapalkkiin (4247) (6.6).

Yhdistä saranapalkki löyhästi (4247) lasituspalkkien (4232) väliin pulteilla (2001) ja muttereilla (1002) (6.7), (6.8).

Yhdistä löyhästi tuuletuskarmi (6019) lasituspalkkien (4232) väliin pulteilla (2001) ja muttereilla (1002) (6.9).

Nosta tuuletusluukun alakarmia (6019) ja kiinnitä se luukun kehykseen.

Oikein tehdyn sijoittelun jälkeen kiristä kaikki sisäpuolen pultit.

Kiinnitä luukun avauslaite (1067) palkkiin (6024) ruuveilla (6062).

Yhdistä molemmat tuuletusluukun pidättimet (6056) alakarmiin (6019) ruuveilla (6062) (6.10), (6.11).

#### 7. LASITUS – POLYKARBONAATTI/LASI

**Huomaa jo mainitut turvallisuusohjeet.**

Katolla kiinnitä polykarbonaattilevyt paikalleen tuulilistoilla (6614/6615) (7.2).

**Huomautus.** 6 mm:n polykarbonaattilevyt täytyy asentaa käyttämättä lasituspalkkia (1020) profiileissa (7.1).

**Tärkeää!** UV-suojattu sivu osoitetaan muovikalvolla ja reunapainatuksella. Tämä sivu täytyy asentaa ulkopuolelle. Poista kalvo.

**Huomautus.** Poista kalvo kokonaan vasta kun ruutu on asetettu kasvihuoneeseen. (Ruudut on leikattu reunoiltaan hieman lyhyemmäksi laajenemisen mahdollistamiseksi lämpimissä olosuhteissa).

Lisävakauden saamiseksi polykarbonaattilevyille yhdistä ne kunkin levyn keskeltä räystäspalkkiin Z-profiililla (1318) (7.4) ja harjalta työntämällä välikappaleen (2399) harjapalkkiin (7.3) (7.5).

Paina lasitustiivisteet (1020) alumiiniprofiileihin (7.6) ja katkaise oikeaan pituuteensa.

Kiinnitä lasilevyt sivulle ja oville tuulilistoilla (6601–6608) (7.7).

**Huomautus.** Noudata suunnitelmaa leikatesa tuulilistat sopimaan eri asentoihin (7.8).

#### 8. SYÖKSYPUTKET

Yhdistä syöksyputkiosat kasvihuoneen molemmille sivuille kuten kuvissa 8.1–8.6. Varmista, että liitos (1417) on mukana (1408):n ja (1402):n välissä (8.2).

#### 9. SÄLELUUKKU (7600)

Oven yläpuolisessa oikeassa kentässä, yhdistä säleluukun sivut (4203) ja (4204) lasituspalkkeihin (4267) pulteilla (2001) ja muttereilla (1002) (9.1), (9.3). Yhdistä luukun tuki (4206) välikappaleella (4207) säleluukun sivun yli (4203) (9.1), (9.2).

Siirrä lasilevy (13) harjapalkkiin kiinni säleluukun sivuille (4203) ja (4204) (9.6) ja kiinnitä paikalleen oikeaan pituuteen leikatuilla tuulilistoilla (9.4), (9.5).

Avaa säleluukun pitimet (9.6) ja siirrä levyjä (14) pitimiin kummallakin sivulla (9.7). Taivuta alumiinipäitä kiinnittäaksesi levyt paikalleen (9.8).

#### VIIMEISTELY

Täytä ankkurien reiät betonilla.

Kiinnitä terässokkeli perustukseen ruuveilla ja tulpilla (eivät sisälly toimitukseen).

Haluttaessa, kasvihuoneen reunat voidaan tiivistää neutraalilla silikonilla. Silikoni ei ole mukana toimituksessa.

Kiinnitä varoitustarra kasvihuoneen sisälle.

Runsaasti lisävarusteita on saatavilla auttamaan sinua hyödyntämään parhaiten tämä tuote. Ota yhteys paikalliseen myyjään lisätietojen saamiseksi.

#### TURVALLISUUSOHJEET

Kovan tuulen lähestyessä sulje kaikki ovet ja tuuletusaukot.

Voimakkaan lumentulon kohdalla, poista lumi kasvihuoneen katolta tai ryhdy asianmukaisiin toimiin tukeaksesi kattoa. Lämmitä kasvihuonetta talvella.

#### KOMMENTIT

Uuden kasvihuoneesi täydellistä suojausta varten suosittelme ottamaan vakuutuksen kasvihuoneellesi.

Noudata asianmukaisia paikallisia rakennusmääräyksiä koskien kasvihuoneiden sijoittelua.

Kiinnitä kasvihuoneen mukana tullut tuotetarra ovipalkkiin (1362) kasvihuoneen kokoamisen päätteeksi.

Tämä tieto on tärkeä, jos tarvitset myöhemmin varaosia.

Säilytä nämä kokoamisohjeet turvallisessa paikassa myöhempää käyttöä varten!

Kehitämme tuotteitamme jatkuvasti ja pidätämme oikeuden muuttaa tuotetietoja ilman etukäteisvaroitusta.

## Disposizioni di sicurezza

1. **LEGGERE ATTENTAMENTE E COMPLETAMENTE LE ISTRUZIONI DI MONTAGGIO PRIMA DI INIZIARE I LAVORI!**
2. I bordi taglienti possono causare lesioni. Durante il maneggio di profili in alluminio, vetro e pannelli a camera vuota si consiglia di indossare sempre occhiali protettivi, guanti, calzature di sicurezza ed l'elmetto protettivo. I vetri rotti rappresentano una fonte di pericolo - allontanare prontamente le schegge di vetro, procedendo sempre con cautela.
3. Il prodotto acquistato è ideato per la coltivazione di piante e deve essere utilizzato esclusivamente per questo scopo. Per qualsiasi altro utilizzo si declina ogni responsabilità.
4. Per il montaggio di questo prodotto sono richieste due persone.
5. Se dovessero verificarsi delle complicazioni durante le operazioni di montaggio della serra o all'inserimento della vetratura, si prega di contattare il proprio rivenditore – **Non usare in nessun caso la forza!**
6. La serra deve essere sempre ancorata al suolo.

## Descrizione della struttura

### SCelta DEL LUOGO

Scegliere possibilmente un posto soleggiato, ma al contempo protetto dal vento.

### IMPORTANTE

Prima di iniziare l'operazione di montaggio della serra, accertarsi che siano presenti tutti i componenti elencati. Prelevare i componenti dall'imballaggio, per poterli identificare meglio. È particolarmente importante non mischiare tra di loro i componenti aperti. Qualora dovesse mancare qualcosa, vogliate contattare immediatamente il vostro fornitore.

**Viti (1002) - coppia di serraggio massima 3 Nm.**

**Attenzione** – il lato resistente ai raggi UV dei pannelli a camera vuota è contrassegnato da una pellicola di plastica o da una nota stampata sui bordi. **Questo lato deve volgere verso l'esterno!**

### UTENSILI RICHIESTI

Giravite (piatto e a croce PH2), chiave da 10 mm, chiave ad anello e a bocca, coltello, metro, livella a bolla, sega, avvitatore a batteria con coppia regolabile.

### MANUTENZIONE

Pulire periodicamente la serra con schiuma detergente neutra non aggressiva. Il vetro può essere pulito con un detergente, che non intacchi i componenti di materiale sintetico, i telai d'alluminio né le graffe delle molle per i vetri. Pulire periodicamente le guide di corsa inferiori della porta.

### 0A. FONDAMENTA

**Importante!** Il fondamento deve essere assolutamente ad angolo retto e livellato.

**(Attenzione!** Solo se la serra deve essere montata in un punto poco protetto ed esposto al vento: Perforare i profili di base e il fondamento d'acciaio e avvitarli entrambi tra di loro per mezzo delle viti e dei dadi)

Se preferite realizzare individualmente un fondamento in pietra o calcestruzzo, vogliate orientarvi alle misure indicate al paragrafo 0A. Tenere presente che se si utilizzano gli angolari di ancoraggio (9101), (9145) è

necessario scanalare i fori sui punti (A) contrassegnati.

T trattare le fondamenta con antibirina.

Tutti i disegni sono illustrati dalla parte interna della serra, salvo le illustrazioni, che sono rappresentate in una doppia cornicetta. Queste descrivono la veduta esterna.

### 0B. FONDAMENTA IN ACCIAIO

Vengono consegnate fondamenta in acciaio zincato. Consigliamo di utilizzare gli angolari di ancoraggio (9101), (9144) e (9145). Riempire i fori preparati per gli angolari solo dopo aver montato completamente la serra.

Avvitare le parti con le viti (1001) e i dadi (1002), come raffigurato.

**Importante!** Lasciare un incavo di 1218 mm tra i pezzi terminali dei profili delle fondamenta (9142) e (9143) sul lato anteriore della serra, come mostrato nella figura.

Piegare le estremità degli angolari, per garantire il sicuro ancoraggio nel cemento. Sistemare le fondamenta di acciaio pronte sulle fondamenta a striscia preparate.

**(Attenzione!** Versare calcestruzzo solo dopo aver montato completamente la serra.)

### 1. PANNELLO DEL FRONTONE SENZA PORTA

Piazzare tutti i componenti al suolo e avvitarli senza stringerli definitivamente.

Avvitare i raccordi a gomito (1092) senza stringerli a fondo agli angoli superiori (1.7).

### 2. FIANCATE

Avvitare i profili intermedi (4232) ai profili del pavimento (2.2) e ai puntoni trasversali (2.5) senza stringerli.

### 3. LATO DEL FRONTONE CON PORTA

Introdurre la guarnizione della spazzola (4276) nel canale del profilo del colmo (4250) (3.6). Piazzare tutti i componenti al suolo e avvitarli senza stringerli.

Introdurre 2 ulteriori inviti nel listello di vetratura (2101) per collegare il componente (2092) (3.2) e i puntoni trasversali (2089/2090) (3.4). Avvitare i raccordi a gomito (1092) -

senza stringerli - agli angoli superiori (3.7).

### 4A. ASSEMBLAGGIO DEGLI ELEMENTI DA PARETE

Avvitare l'estremità del frontone senza porta (fase 1), le fiancate (fase 2) e il lato del frontone con porta (fase 3) (4.1) (4.4) (4.5) (4.6).

Montare i profili diagonali (4233) (4.3) e (4235) (4.2). Avvitare i profili angolari del tetto (4239/4240, 4245/4246) situati tra il profilo del colmo (4250) e il profilo della grondaia (4226) ai raccordi a gomito (1092) (4.7) (4.10), senza stringerli.

Montare i listelli di vetratura (4241), (4242), (4243), (4244), (4273) e (4274) tra i puntoni trasversali (4271/4272, 4277/4278) e i profili angolari del tetto (4239/4240, 4245/4246), senza stringerli.

### 4B. FISSAGGIO ALLA PARETE

Piazzare la serra fino a questo punto assemblata per mezzo delle viti (9002) sul fondamento e avvitarla al fondamento, senza stringere definitivamente (4.11).

Avvitare la guida di scorrimento della porta (2062) ai profili delle fondamenta in acciaio (9142) e (9143), usando le viti a vuoto (2007) - senza stringerle - del canale (2062) (4.12) (4.13). Stringere le viti nelle fondamenta (1002) solo nella fase 5 ovvero dopo aver montato le porte (5.12).

Collocare i profili intermedi del tetto sul (4254 / 4256) sul profilo della grondaia (4226) (4.18) (4.19) e sul profilo del colmo (4250) (4.16) (4.17).

**Attenzione:** qui bisogna introdurre due ulteriori viti nel canale dei profili intermedi del tetto (4254), che servono a fissare in un secondo tempo la soglia del lucernario e gli elementi di rinforzo (4.16).

Avvitare - senza stringere - il profilo della grondaia (4264) ai listelli della vetratura del tetto (4254/4256) (4.18) (**modello 5900**) (4.21) (**modello 7600**) e ai due profili angolari del tetto (4239/4240, 4245/4246) (4.14) (4.15).

**Modello 5900:** Collegare gli elementi di rinforzo del tetto (4268) ai profili intermedi del tetto (4254) (4.19) (4.20). Inserire le viti

aggiuntive nei fori preperforati (4254). (4.19)

**Modello 7600:** Inserire le viti con testa di martello (4201) nei fori preperforati degli elementi di rinforzo del tetto (4269) (4279) (4.22) (4.23). Congiungere gli elementi di rinforzo del tetto (4269) con i profili intermedi del tetto (4256), introducendo le teste di vite (4201) e i canali dei profili intermedi del tetto (4256) (4.24).

Congiungere il profilo finale orizzontale (4275) alle traverse di supporto del tetto (4254/4256) e ai due profili angolari del tetto (4239/4240, 4245/4246) (4.25).

Aggiustare la serra finché è completamente raddrizzata e stringere infine tutte le viti.

**Evitare di spanare le viti, stringendole eccessivamente! (max. 3Nm).**

## 5L e 5R. PORTE

**Attenzione: Non collocare mai la porta montata sull'elemento scorrevole (1014), altrimenti si rischierebbe di danneggiarla!**

Premere dentro gli elementi scorrevoli (1014) in ambedue le estremità nel profilo della porta (1360) (5.1).

Avvitare gli elementi della porta come illustrato nel disegno 5.

Avvitare il profilo della porta (1362) al profilo superiore (1359) (5.3) e inserire le guarnizioni (5021) nei puntoni verticali esterni della porta (2063) (5.5). Inserire le viti (1500) nel canale inferiore che supporta le guarnizioni delle spazzole (5021) e avvitarle con dadi (1515) (5.6). Tagliare le guarnizioni della porta (5021) alla lunghezza voluta. Assicurarsi che la parte (2065) per il profilo verticale interno sia montata sul lato sinistro (5L), la parte (2064), invece, su quello destro (5R).

Avvitare le rotelle della porta (1015), come mostrato nella figura (5.4), per mezzo delle viti (1304), le rondelle (1009) e i dadi (1007) al corpo della ruota (1362).

Avvitare la guida di corsa della porta (1347) al profilo orizzontale (4234) (5.7). Avvitare i distanziatori angolari (4208) (5.9L), (4209) (5.9R) e la lastra intermedia (4210) (5.8) conformemente alla figura.

Fissare la vite (2001) all'elemento di giunzione tra le due guide di corsa della porta (1347), come raffigurato.

Ora le rotelle del profilo dell'elemento di guida della porta (1347) possono essere introdotte lateralmente (5.10). Assicurarsi che gli elementi scorrevoli della porta scorrono sul traversino verticale del profilo del suolo (5.11). Dopo aver inserito la porta, inserire le viti e i dadi come fermaporta in ambedue le estremità della guida della porta (1347).

Stringere le viti (1002) e i dadi (2007) per estrarre il componente (2062) dal profilo delle fondamenta. (5.12).

Regolare la porta, in modo che possa scorrere senza attrito.

## 6. FINESTRA

**Attenzione: Riscaldare la guarnizione della finestra (6034) portandola a temperatura ambiente** Premere la guarnizione (6034) centralmente sulla lastra di vetro superiore (6.1). **Non infilarla!**

Incidere tutti gli angoli (6.2) della guarnizione e spingerla sui bordi della lastra (8). Assicurarsi che le incisioni effettuate sugli angoli combacino (6.3). Applicare il profilo inferiore della finestra (6024) sulla guarnizione (6.3) e montare i profili laterali (6020) e (6021).

Avvitarli agli angoli con le viti (1008) (6.4).

Incidere tutti gli altri angoli e spingere la guarnizione sul bordo superiore e accorciarla opportunamente al centro. Montare il profilo superiore della finestra (6025) e avvitarlo ai profili laterali (6020) e (6021) con le viti (1008) (6.5).

Assicurarsi che la finestra sia posta ad angolo retto prima di stringere le viti.

Mettere da parte le finestre per montarle in un secondo tempo. Introdurre il profilo superiore della finestra (6025) nel profilo della cerniera (4247) (6.6).

Fissare ora i profili (4247) tra i profili intermedi (4232) utilizzando le viti (2001) (6.7) (6.8).

Fissare il profilo del davanzale (6019) tra i profili intermedi (4232) utilizzando le viti (2001) (6.9).

Sollevarlo il profilo del davanzale (6019) e adattarlo alla finestra.

Se tutto combacia perfettamente, stringere le viti dall'interno.

Collegare l'aprifinestra (1067) al profilo (6024) con le viti (6062). Collegare il fissafinestra (6056) al profilo del davanzale (6019) con le viti (6062). (6.10) (6.11).

## 7. VETRATURA - PANNELLI A CAMERA VUOTA

**Sono da osservare le misure di sicurezza summenzionate!**

Fissare i pannelli a camera vuota del tetto con l'ausilio del dispositivo antivento (6614 / 6615) (7.2). Attenzione affinché, le lastre di copertura siano situate centralmente e che scorrano parallelamente ai profili.

**Attenzione!** I pannelli a camera vuota da 6mm devono essere disposti sui profili senza le strisce di vetratura (1020). (7.1)

**IMPORTANTE!** Il lato resistente ai raggi UV dei pannelli a camera vuota è contrassegnato da una pellicola di plastica o da una nota stampata sui bordi. Questo lato deve volgere verso l'esterno!

**Attenzione!** Staccare la pellicola completamente dopo aver inserito la lastra nella serra. (Le lastre sono più corte, affinché si dilatino nelle giornate calde).

Per garantire maggiore stabilità ai pannelli a camera vuota, congiungerli [insieme ai profili a Z (1318)] centralmente ai profili della grondaia, come illustrato al capitolo (7.4) e spingere un rullo di supporto (2399) sui profili del colmo (4250) & (4275), come illustrato ai capitoli (7.3) (7.5).

Premere la guarnizione del vetro (1020) sui profili d'alluminio (7.6) e tagliarla alla rispettiva misura di lunghezza.

Fissare le lastre di vetro sui lati e sulle porte con l'ausilio dei listelli antivento (6601-6608) (7.7)

**Attenzione:** Attenersi scrupolosamente alle indicazioni indicate nel piano durante il taglio dei listelli antivento da collocare sulle diverse posizioni. (7.8)

**Se la vetratura della serra viene effettuata**

**per mezzo di pannelli a camera vuota, si raccomanda di orientarsi allo schema di posa in opera, allegato ai pannelli a camera vuota.**

## 8. TUBO DI SCARICO DELLA PIOGGIA

Applicare gli elementi dei tubi di scarico della pioggia su entrambe i lati della casa, come illustrato al capitolo (8.1)-(8.6). Assicurarsi che l'elemento di collegamento (1417) venga inserito tra (1408) e (1402) (8.2).

## 9. FINESTRA A LAMELLE (7600)

Avvitare i bracci articolati delle finestre a lamelle (4203) e (4204), situati nel campo destro sopra la porta, ai listelli di vetratura (4267) utilizzando le viti (2001) e i dadi (1002) (9.1) (9.3). Avvitare l'elemento di rinforzo della porta (4206) con distanziale (4207) al braccio articolato (4203). (9.1) (9.2).

Introdurre la lastra di vetro (13) nel profilo del colmo, in modo che alloggi nei lati della finestra a lamelle (4203) e (4204) (9.6) e fissarla con l'ausilio di un listello antivento tagliato alla lunghezza necessitata (9.4) (9.5)

Aprire la porta lamelle (9.6) introdurre le lastre (14) nei due lati (9.7). Piegare i terminali in alluminio per incastrare le lastre (9.8).

## LE ULTIME OPERAZIONI

Riempire con calcestruzzo i fori per gli angolari di ancoraggio.

Collegare le fondamenta di acciaio alle fondamenta a striscia, utilizzando le viti e i tasselli (non compresi nella fornitura).

È anche possibile sigillare i giunti della serra con sigillante siliconico a reticolazione neutra. Il silicone non viene fornito in dotazione.

Applicare dall'interno il presente adesivo di avvertimento.

Il vostro fornitore dispone di un assortimento completo di accessori per serre. Contattatelo.

## INFORMAZIONI DI SICUREZZA

In presenza di vento forte si raccomanda di mantenere chiuse tutte le aperture e la porta.

Eliminare tempestivamente la neve dai tetti delle serre in modo da evitare qualsiasi carico di neve pericoloso.

## OSSERVAZIONI

Per garantire la protezione completa della serra vi consigliamo di includerla nella vostra polizza assicurativa domestica. Osservare eventuali prescrizioni edilizie locali vigenti.

Incollare l'adesivo di identificazione fornito in dotazione sul corpo della ruota (1362) dopo il completamento del montaggio della serra.

La denominazione del tipo è richiesta per specificare eventuali pezzi di ricambio da ordinare. Conservare sempre le istruzioni per il montaggio!

Tutte le misure specificate sono valori approssimativi. Ci riserviamo la facoltà di apportare in qualsiasi momento e senza preavviso modifiche tecniche finalizzate al miglioramento del prodotto.



## 1. PRZED ROZPOCZĘCIEM MONTAŻU PROSZĘ UWAGAŃNIE PRZECZYTAĆ CAŁĄ INSTRUKCJĘ!

- Przy obchodzeniu się ze szkłem, płytami z poliwęglanu lub aluminiowymi profilami należy nosić zawsze okulary, rękawice i buty ochronne oraz ochronę na głowę, ponieważ ostre krawędzie mogą spowodować obrażenia. Połtuczone szkło stanowi zagrożenie dla bezpieczeństwa. Proszę od razu usunąć je z zalecaną ostrożnością.
- Produkt, który został nabyty przez Państwa, jest przeznaczony tylko do uprawy roślin i powinien być używany wyłącznie w tym celu. W przypadku innego zastosowania wyklucza się wszelką odpowiedzialność.
- Zaleca się, aby szklarnia była montowana przez dwie osoby.
- Jeżeli wystąpią problemy podczas montażu szklarni lub w trakcie zakładania oszklenia, proszę skontaktować się ze sprzedawcą. – **Proszę nie używać siły!**
- Szklarnię należy zakotwiczyć.

## Instrukcja Montażu

### WYBÓR MIEJSCA

Proszę wybrać miejsce słoneczne jak najbardziej osłonięte od wiatru.

### WAŻNE

Przed rozpoczęciem montażu szklarni, należy sprawdzić, czy wszystkie części są kompletne zgodnie z załączonym wykazem.

Proszę wyjąć poszczególne paczki z opakowania dla sprawniejszej identyfikacji.

Należy zwrócić uwagę, aby otwarte paczki nie wymieszały się między sobą.

Jeżeli brakuje czegoś, to proszę skontaktować się ze sprzedawcą.

**Uwaga!** Oszklenie z poliwęglanu, strona odporna na promieniowanie UV jest oznaczona plastikową folią oraz nadrukiem na brzegu. Ta strona musi być skierowana na zewnątrz. Folię należy zdjąć całkowicie po wstawieniu oszklenia w szklarni.

**Nakrętki należy przykręcić z siłą nacisku nie większą niż 3Nm**, jeśli będzie wykorzystana do tego celu wkrętarko-wiertarka akumulatorowa z regulowanym momentem obrotowym.

### POTRZEBNE NARZĘDZIA

Śrubokręt (normalny i krzyżak PH2), 10mm klucz gniazdkowy albo płaski, 10mm klucz płasko-oczkowy, nóż, całówka, poziomica, piłka ręczna do metalu, wkrętarko-wiertarka akumulatorowa z regulowanym momentem obrotowym.

### KONSERWACJA

Szklarnia powinna być od czasu do czasu gruntownie czyszczona za pomocą łagodnego detergentu. Należy sprawdzić, czy użyty detergent nie reaguje agresywnie z aluminium lub klamrami mocującymi szkło. Należy regularnie czyścić górną i dolną szynę jezdnią drzwi, aby uniknąć gromadzenia się zanieczyszczeń.

### 0A. PODSTAWA

**Ważne!** Stalowa rama podstawy szklarni musi być absolutnie wypoziomowana i wszystkie kąty powinny mieć 90°.

Zalecamy umieszczenie szklarni na solidnej podstawie.

**(Uwaga!** Wyłącznie w przypadku, gdy szklarnia będzie ustawiona w bardzo nieosłoniętym i wietrznym miejscu: dodatkowo przewiercić profil podstawy szklarni i stalową ramę i skrócić razem śrubami i nakrętkami.)

Jeżeli preferują Państwo wykonać własny fundament z kamienia lub betonu, to proszę przygotować go zgodnie z podanymi wymiarami w sekcji 0A.

Przy wyborze zakotwiczenia szklarni za pomocą odnóży kotwiących dostarczonych razem ze stalową ramą, należy w każdym punkcie oznaczonym literą C wykopać dół, sekcja 0A. Po wypoziomowaniu ramy stanowiącej podstawę szklarni lub po zakończeniu montażu szklarni, doły należy wypełnić betonem.

Fundament musi sięgać poniżej poziomu zamarzania.

**Wszystkie rysunki przedstawione są od strony wewnętrznej szklarni, z wyjątkiem rysunków, które przedstawione są w podwójnej ramce. Pokazują one widok z zewnątrz.**

### 0B. PODSTAWA

Ocynkowana stalowa rama podstawy, jest dołączona do tego modelu szklarni.

Zaleca się zastosowanie odnóży kotwiących (9101), (9144) i (9145).

Ramę podstawy należy zmontować za pomocą śrub (1001) i nakrętek (1002) zgodnie z rys. w sekcji 0B.

**Ważne!** Należy zadbać o to, aby odległość pomiędzy profilami ramy podstawy (9142) i (9143) od strony frontowej wynosiła 1218 mm, zgodnie z rysunkiem.

Dla bezpieczniejszego zakotwiczenia w betonie, należy wygiąć końce odnóży kotwiących.

Zmontowaną ramę proszę ustawić na przygotowanej podstawie.

### 1. ŚCIANA TYLNA

Wszystkie części należy ułożyć na podłodze i skrócić luźno śrubami.

Płytki narożne (1092) należy luźno przykręcić w górnych rogach, patrz (1.7).

### 2. MONTAŻ BOKÓW

Pionowe profile boczne (4232) przykręcić pomiędzy górnym profilem szczytowym a dolnym profilem podstawy.

### 3. ŚCIANA FRONTOWA

Uszczelki szczotkowe (4276) wsunąć do kanału w profilu kalenicy (4250) (3.6).

Wszystkie części ułożyć na podłodze i skrócić luźno śrubami jak na rysunku.

Aby umożliwić przyłączenie płytek mocujących (2092) (3.2) i poziomych profili (2089/2090) (3.4) należy wprowadzić po 2 dodatkowe śruby w profile pionowe (2101).

Przykręcić luźno płytki narożne (1092) w górnych rogach (3.7).

### 4A. MONTAŻ ODDZIELNYCH ELEMENTÓW

Ścianę tylną (sekcja 1) skrócić razem z ścianami bocznymi (sekcja 2) oraz ścianą frontową (sekcja 3) (4.1) (4.4) (4.5) (4.6)

Przykręcić przekątne listwy usztywniające (4233) (4.3) i (4235) (4.2).

Luźno przykręcić szczytowe profile dachowe (4239 / 4240, 4245 / 4245 / 4246) pomiędzy kalenicą (4250) a okapem (4226) za pomocą płytek narożnych (1092) (4.7) (4.10).

Pionowe profile (4241), (4242), (4243), (4244), (4273) i (4274) pomiędzy poziomymi profilami (4271 / 4272, 4277 / 4278) a profilami szczytowymi dachu (4239 / 4240, 4245 / 4246) (4.8) (4.9).

### 4B. MONTAŻ PROFILI ŚRODKOWYCH DACHU

Zmontowaną konstrukcję ustawić na przygotowanej stalowej ramie podstawy i luźno połączyć za pomocą zaczepów (9002) (4.11).

Za pomocą śrub (2007) włożonych do rowka w szynie jezdnej luźno połączyć szynę (2062) razem z profilami ramy podstawy (9142) i (9143) (4.12) (4.13). Nakrętki (1002), od strony wewnętrznej ramy podstawy, dokręcić po ustawieniu drzwi w sekcji 5 (5.12).

Profile dachowe (4254/4256) połączyć z okapem (4226) (4.18) (4.19) i kalenicą (4250) (4.16) (4.17).

**(Model 5900) Uwaga:** Należy umieścić po 2 dodatkowe śruby (1001) w rowkach profili

(4254), będą później potrzebne do zamontowania listw wzmacniających.

Połączyć luźno rynnę (4264) z profilami dachowymi (4254/4256) (4.18) (**Model 5900**) (4.21) (**Model 7600**) i z profilami (4239 / 4240, 4245 / 4246) (4.14) (4.15).

(**Model 5900**) Listwy wzmacniające (4268) luźno przykręcić pod spodem profilu (4254) (4.19) (4.20). Do wcześniej przygotowanych otworów wprowadź dodatkowe śruby (4254) (4.19).

(**Model 7600**) Wprowadzić śruby (4201) w przygotowane otwory w profilach (4269) i listwach wzmacniających (4279) (4.22) (4.23).

Luźno połączyć profile wzmacniające (4269) pod spodem profilu środkowych (4256) za pomocą śrub (4201), których główki należy wprowadzić do rowka w profilu (4256) (4.24).

Przykręć luźno poziomy profil wykończeniowy dachu (4275) razem z profilami środkowymi (4254 / 4256) i profilami narożnymi dachu (4239 / 4240, 4245 / 4246) (4.25).

Ustawić szklarnię tak, aby była całkowicie prostokątna i dokręć wszystkie śruby.

**Śruby muszą być dokręcone mocno, ale nie za mocno (maks. 3Nm).**

## 5L & 5R. DRZWI

**Uwaga: Zmontowanych drzwi nigdy nie wolno ustawiać na prowadnicach (1014). Mogą ulec uszkodzeniu.**

Prowadnice drzwi (1014) wcisnąć w końce dolnego profilu drzwi (1360) (5.1).

Zmontować drzwi zgodnie z instrukcjami w sekcji 5.

Profil szyny jezdnej (1362) przykręcić do górnego profilu szyny drzwi (1359) (5.3) i wsunąć uszczelki (5021) do pionowych profili drzwi (2063) (5.5). Śrubę (1500) wsunąć na dno rowka podtrzymującego uszczelki szczotkowe (5021) i przymocować za pomocą nakrętki (1515) (5.6).

Uszczelki drzwi (5021) przyciąć do odpowiedniej długości. Wewnętrzny profil pionowy (2065) powinna być po lewej stronie (5L) a po prawej profil (2064) (5R).

Za pomocą śruby (1304), podkładki (1009) i nakrętki (1007) przymocować rolki drzwi (1015) do szyny jezdnej (1362) (5.4).

Profil szyny prowadnicy (1347) przymocować do poziomego profilu (4234) (5.7). Przykręcić kątowniki (4208) (5.9L), (4209) (5.9R) i (4210) (5.8) jak na rysunku.

Śrubę (2001) przykręcić na złączu pomiędzy oba profile (1347) jak pokazano (5R).

Rolki należy wsunąć w profil szyny drzwi (1347)

(5.10). Należy upewnić się, czy również dolne prowadnice drzwi funkcjonują prawidłowo (5.11).

Po poprawnym włożeniu drzwi, należy zamontować śruby i nakrętki jako blokadę drzwi na końcu profilu szyny drzwi (1347).

Dokręć nakrętki (1002) na śrubach (2007), tak aby docisnąć profil szyny jezdnej (2062) do profilu ramy podstawy (9142 i 9143) (5.12).

Drzwi należy tak ustawić, aby poruszały się bez przeszkód.

## 6. OTWÓR WENTYLACYJNY

**Uwaga:** Uszczelki otworów wentylacyjnych (6034) należy rozgrzać do temperatury pokojowej. Uszczelkę (6034) wcisnąć centralnie na górną krawędź szyby (8) (6.1) **Nie naciągać.**

Uszczelkę należy naciąć w rogu (6.2) i wcisnąć na boczne i dolne krawędzie szyby (8), nacinając tak, żeby otoczyły każdy róg. Dolny profil ramy otworu wentylacyjnego (6024) należy wmontować na uszczelkę (6.3) a następnie boczne profile (6020) i (6021). Profile ramy połączyć na rogach za pomocą śrub (1008) (6.4).

Docisnąć uszczelkę na górnej krawędzi i przyciąć tak, aby kanty stykały się na środku. Należy górną część ramy otworu wentylacyjnego (6025) i połączyć z profilami ram bocznych (6020) i (6021) za pomocą śrub (1008) (6.5).

Przed dokręceniem wszystkich śrub, należy upewnić się, że okno posiada kąty proste. Górną część ramy otworu wentylacyjnego (6025) wsunąć w profil zawiasowy (4247) (6.6).

Luźno przykręcić profil zawiasowy (4247) między profilami (4232) za pomocą śrub (2001) i nakrętek (1002) (6.7) (6.8).

Luźno przykręcić listwę progową (6019) pomiędzy profilami (4232) za pomocą śrub (2001) i nakrętek (1002) (6.9).

Listwę progową (6019) lekko unieść i dopasować do otworu wentylacyjnego. Kiedy będzie odpowiednio ustawiona dokręcić śruby od środka.

Uchwyt regulujący (1067) przykręć do ramy (6024) za pomocą śrub (6062). Połączyć oba bolce mocujące (6056) z listwą progową (6019) za pomocą śrub (6062) (6.10) (6.11).

## 7. OSZKLENIE

**Proszę przestrzegać przedstawionych wyżej środków bezpieczeństwa.**

Na dachu należy zamontować poliwęglanowe oszklenie za pomocą pasków mocujących (6614 / 6615) (7.2).

**Uwaga!** 6 mm szyby poliwęglanowe muszą być zamontowane na listwach (7.1) bez użycia gumowej taśmy uszczelniającej (1020).

**Ważne!** Strona odporna na promieniowanie UV jest oznaczona plastikową folią oraz nadrukiem na brzegu. Ta strona musi być skierowana na zewnątrz. Folię zdjąć.

**Uwaga!** Całkowite zdjęcie folii, należy wykonać tylko po wstawieniu oszklenia w szklarni. (Płyty są przycięte na troszkę mniejszy wymiar, aby umożliwić pracę materiału pod wpływem ciepła).

Aby zapewnić poliwęglanowym płytom większą stabilność zaleca się połączyć je, po środku każdej z szyb, z profilem okapu za pomocą zaczepu Z (1318) (7.4) oraz z kalenicą (4250) poprzez wciśnięcie wkładki rozporowej (2399) w boczne listwy (4250) & (4275) (7.3) (7.5).

Taśmę uszczelniającą (1020) należy wcisnąć w aluminiowe profile boczne i profile drzwi (7.6) i przyciąć do odpowiedniej długości.

Szklane szyby zamontować na bokach i drzwiach za pomocą pasków mocujących (6601-6608) (7.7).

**Uwaga!** Paski mocujące należy przyciąć zgodnie z wytycznymi (7.8).

W przypadku zastosowania oszklenia z poliwęglanu proszę postępować wg. instrukcji załączonej w opakowaniu.

## 8. RURY ODPLYWOWE

Rury odpływowe zamontować po obu stronach szklarni tak jak na rys. (8.1) do (8.6). Element przejściowy (1417) zamontować pomiędzy (1408) i (1402) (8.2).

## 9. ŻALUZJA (7600)

Po prawej stronie nad drzwiami należy zamontować ramy boczne żaluzji (4203) i (4204) do profili (4267) za pomocą śrub (2001) i nakrętek (1002) (9.1) (9.3). Listwę wzmacniającą (4206) przymocować za pomocą podkładki (4207) nad (4203) (9.1) (9.2).

Szklana szybę (13) wsunąć w kalenicę tak, aby znajdowała się między bokami żaluzji (4203) i (4204) (9.6). Przymocować za pomocą, przyciętej do rozmiaru, taśmy mocującej (9.4) (9.5).

Otworzyć oprawę żaluzji (9.6) i wsunąć szyby (14) po obu stronach (9.7). Przymocuj szyby poprzez wygięcie aluminiowych zakończeń (9.8).

## OSTATNIE CZYNNOŚCI

Wykopane doły w punktach kotwiących należy wypełnić betonem.

Rama podstawy powinna być przytwierdzona do fundamentu za pomocą śrub i kołków (brak w zestawie).

Jeśli zaistnieje potrzeba lepszego uszczelnienia szklarni można zastosować neutralny silikon (brak w zestawie) na krawędziach.

Naklejkę ostrzegawczą należy nakleić od wewnątrz. Szeroka gama akcesoriów, które pasują do tej szklarni jest dostępna u sprzedawcy.

Prosimy o kontakt ze sprzedawcą.

## WSKAZÓWKI BEZPIECZEŃSTWA

W przypadku mocnego wiatru, wszystkie otwory wentylacyjne i drzwi powinny być zamknięte. W przypadku opadów śniegu dach należy regularnie odśnieżać lub podjąć odpowiednie kroki w celu zabezpieczenia dachu. Należy ogrzewać budynek zimą.

## UWAGI

W celu uzyskania pełnego zabezpieczenia szklarni zalecamy, aby włączyć jej ubezpieczenie do ubezpieczenia domu.

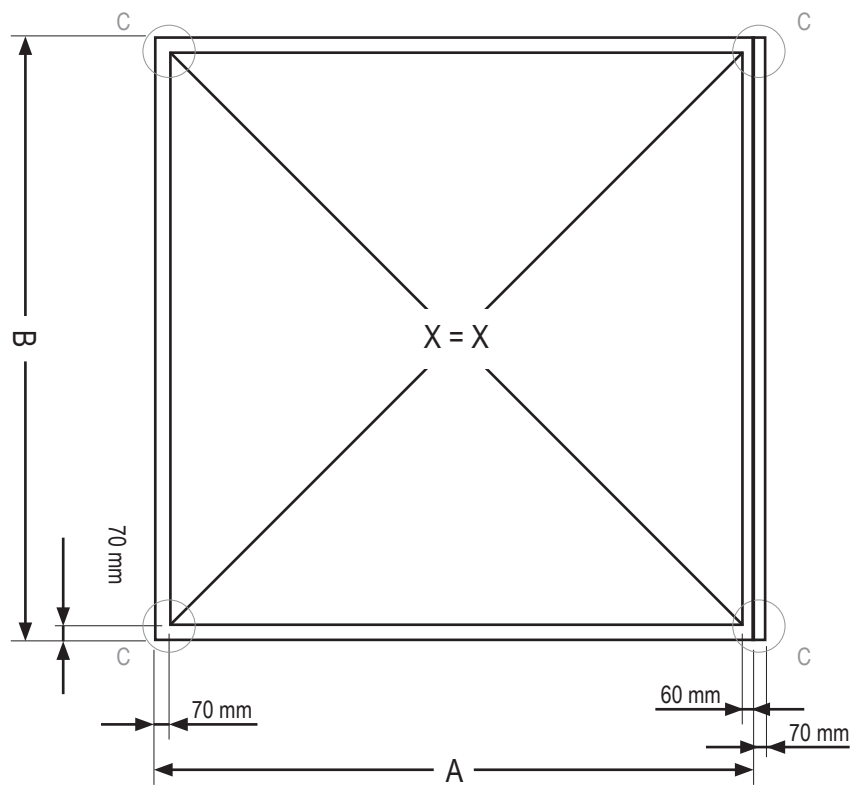
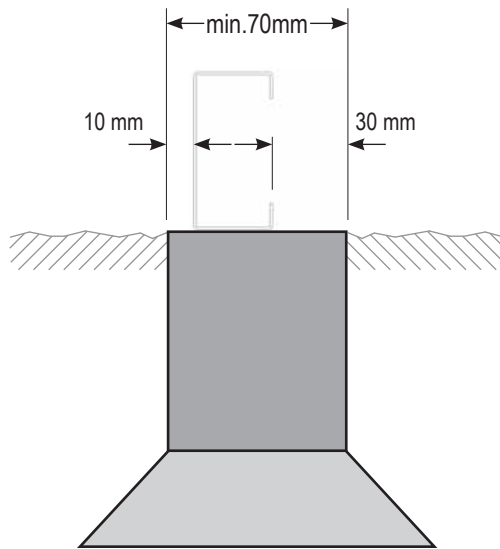
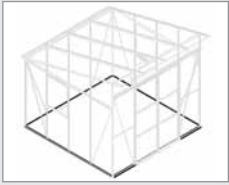
Proszę przestrzegać ewentualnie istniejących miejscowych przepisów budowlanych dotyczących szklarni ogrodowych. Po zmontowaniu szklarni prosimy o naklejenie etykiety identyfikacyjnej na szynę jezdną (1362). Informacje na niej zawarte będą potrzebne przy ewentualnym zamówieniu części zamiennych.

Proszę zachować tę instrukcję montażu, aby móc z niej skorzystać w przyszłości!

Nasza polityka opiera się na nieprzerwanym doskonaleniu w związku z czym zastrzegamy sobie prawo do wprowadzania zmian w opisie bez uprzedniego powiadomienia.



# 0A








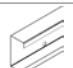
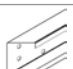





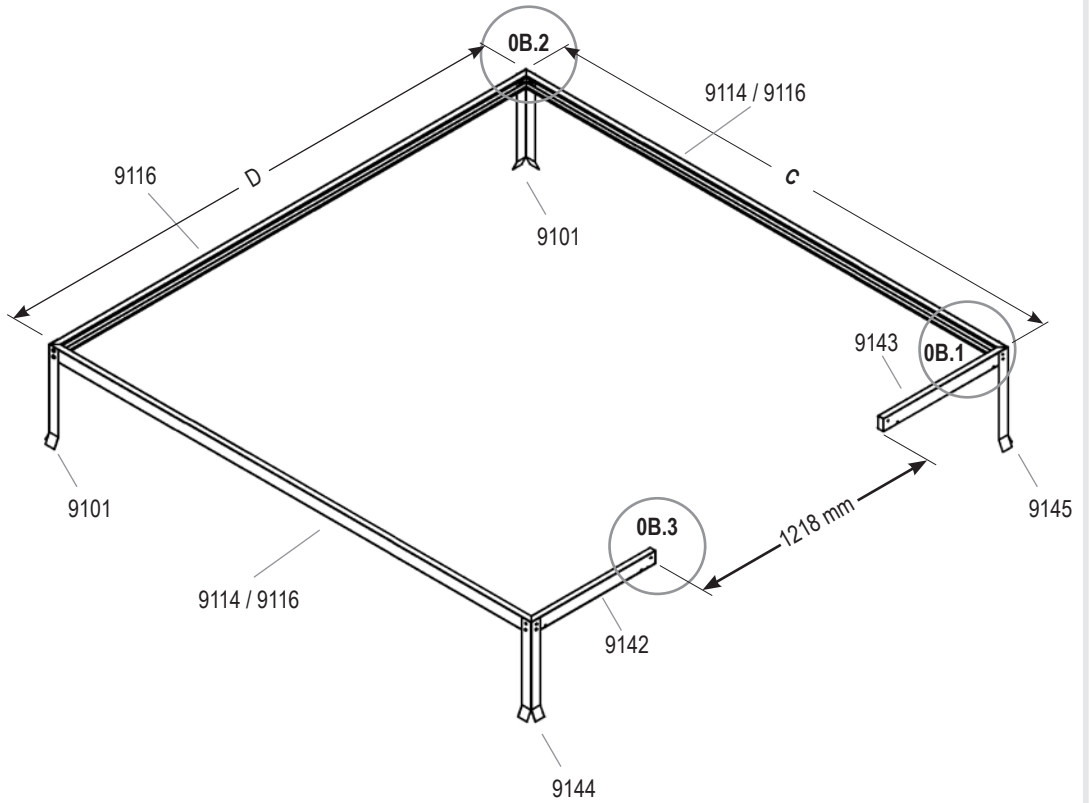
	5900	7600
<b>A + 70 mm</b>	1932 + 70 mm	2554 + 70 mm
<b>B</b>	2564 mm	2564 mm

VM0055-FL

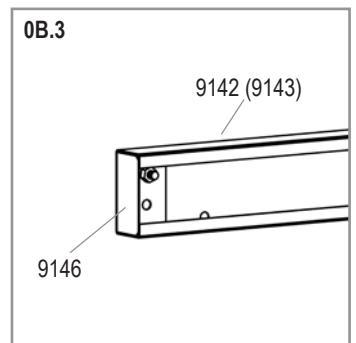
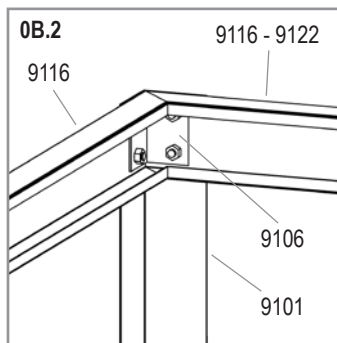
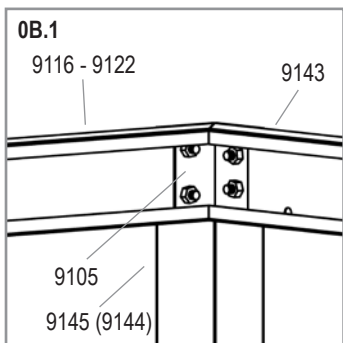
# OB



5900	7600
1001	
18x	18x
1002	
18x	18x
9101	
2x	2x
9105	
2x	2x
9106	
2x	2x
9114	
2x	-
9116	
1x	3x
9142	
1x	1x
9143	
1x	1x
9144	
1x	1x
9145	
1x	1x
9146	
2x	2x



	5900	7600
<b>C</b>	1922 mm	2544 mm
<b>D</b>	2544 mm	2544 mm

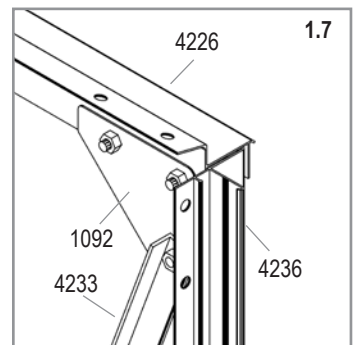
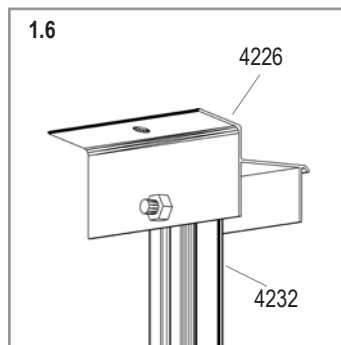
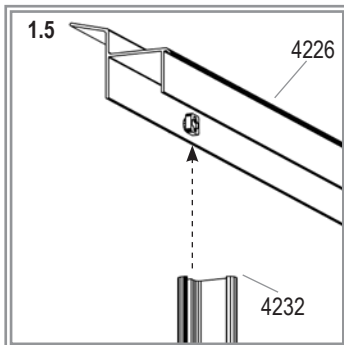
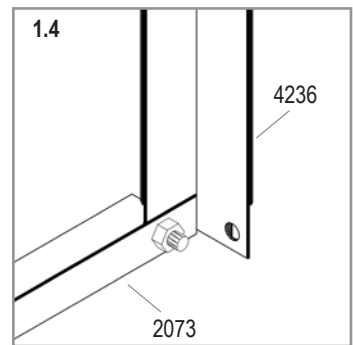
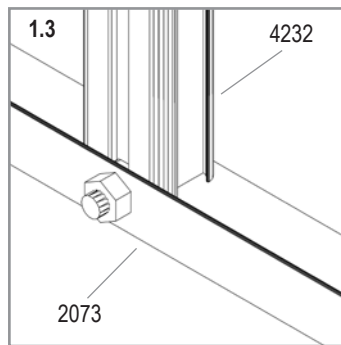
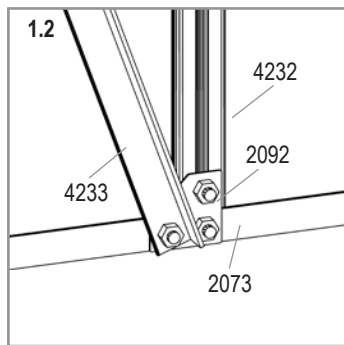
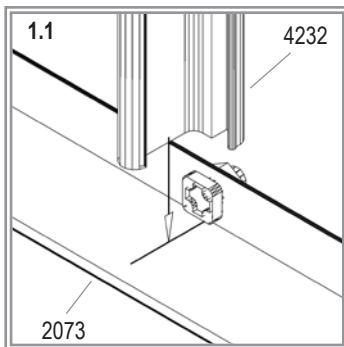
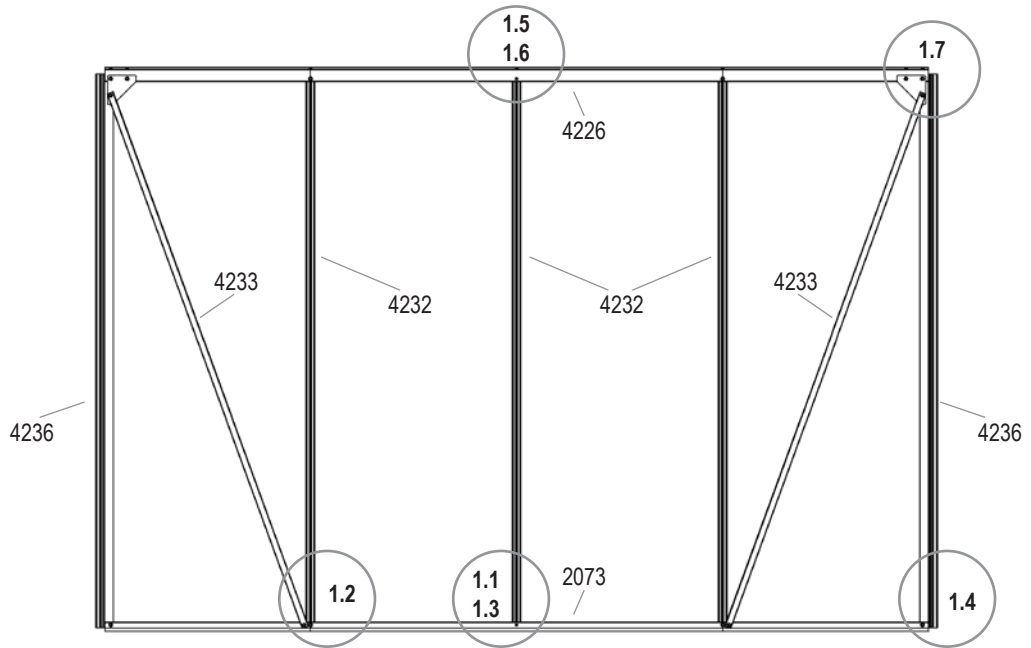


VM0055-FL

# 1



1001 18x	
1002 18x	
1092 2x	
2073 1x	
2092 2x	
4226 1x	
4232 3x	
4233 2x	
4236 2x	

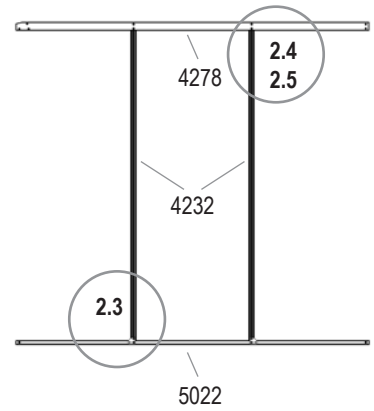
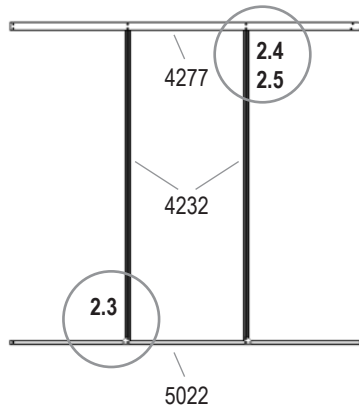


VM0055-FL

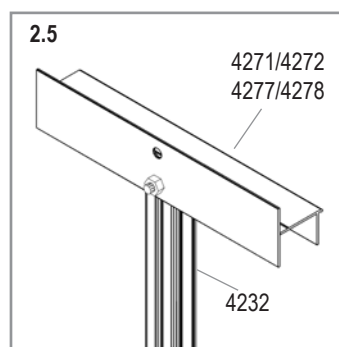
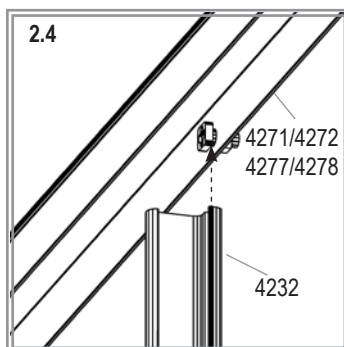
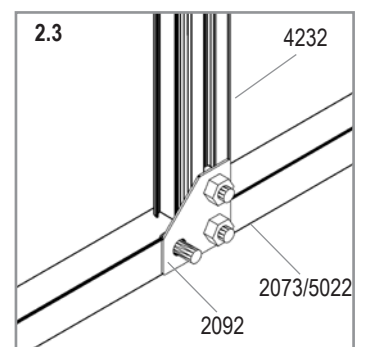
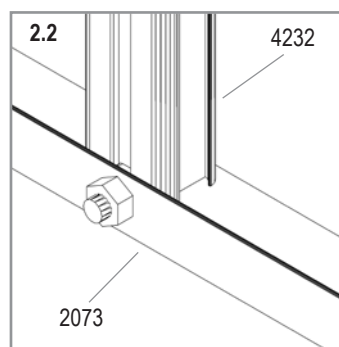
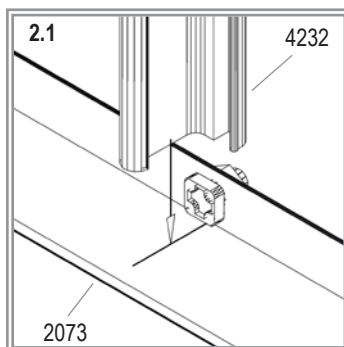
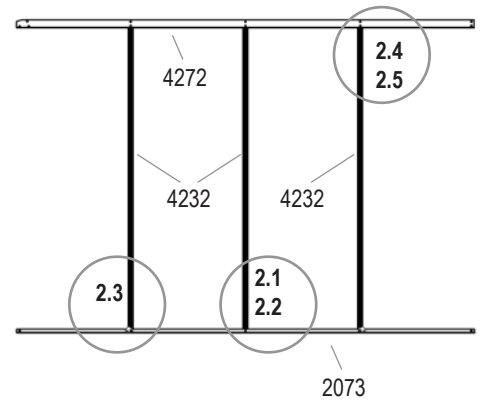
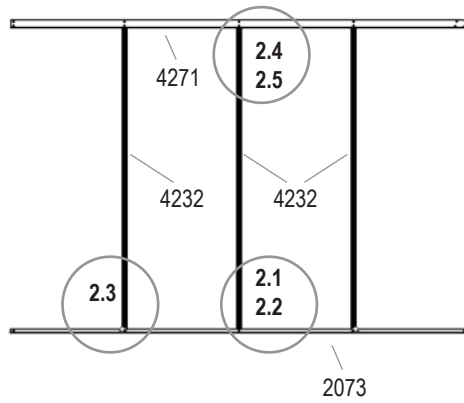


<b>5900</b>	<b>7600</b>
1001	
8x 2	10x 2
1002	
6x 2	8x 2
2073	
-	1x 2
2092	
2x 2	2x 2
4232	
2x 2	3x 2
4271	
-	1x
4272	
-	1x
4277	
1x	-
4278	
1x	-
5022	
1x 2	-

## 5900



## 7600



VM0055-FL

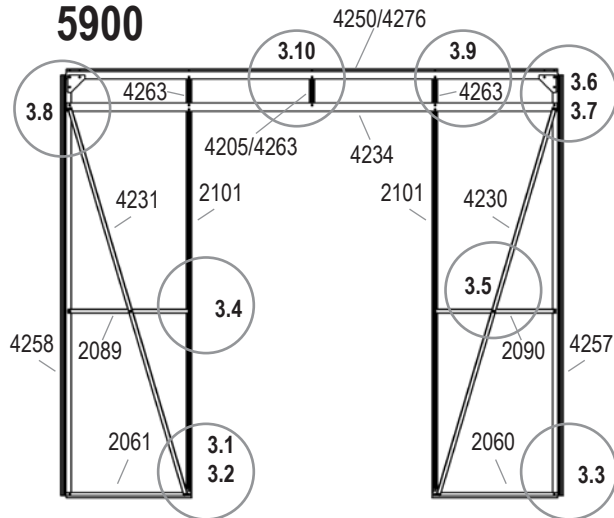


# 3

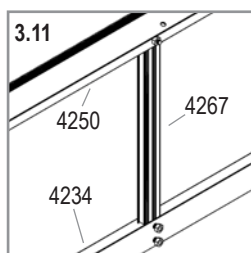
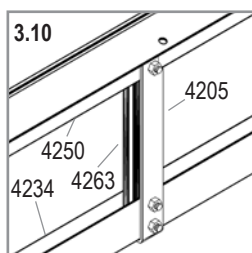
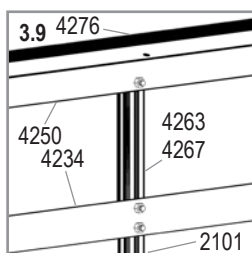
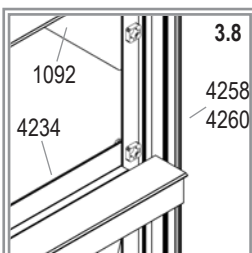
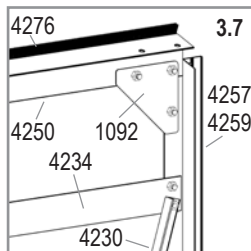
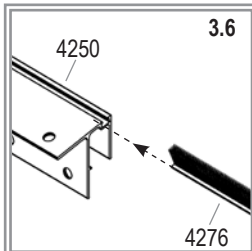
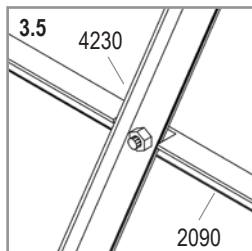
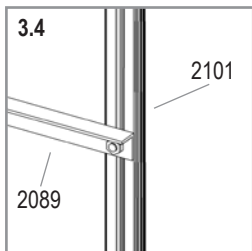
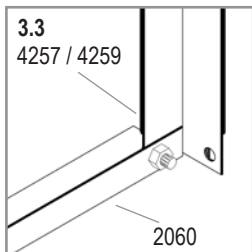
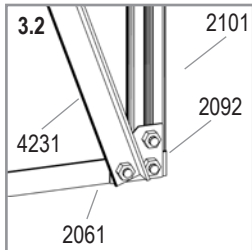
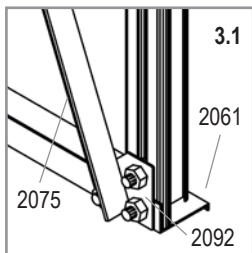
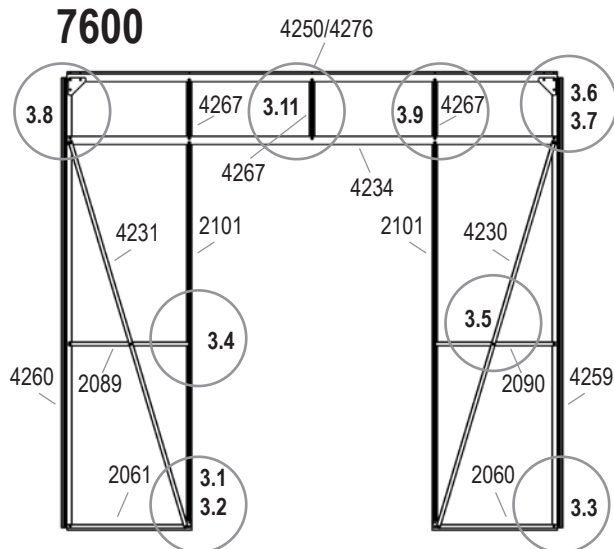


5900	7600
1001 33x	
1002 33x	
1092 2x	
2060 1x	
2061 1x	
2089 1x	
2090 1x	
2092 2x	
2101 2x	
4205 1x	-
4230 1x	
4231 1x	
4234 1x	
4250 1x	
4257	4259
1x	1x
4258	4260
1x	1x
4263	4267
3x	3x
4276	
1x	
VM0055-FL	

## 5900



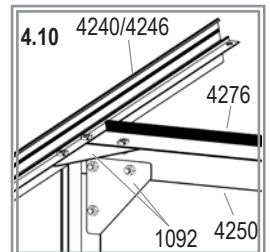
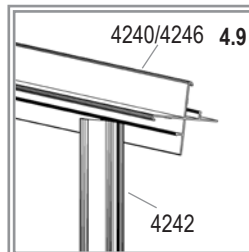
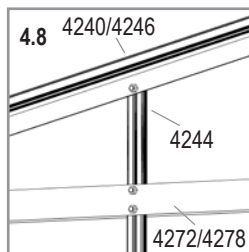
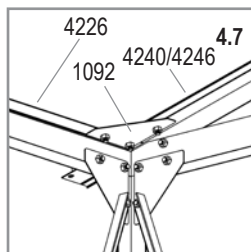
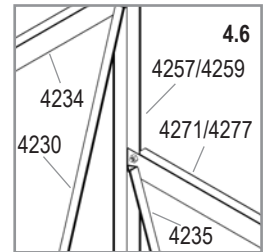
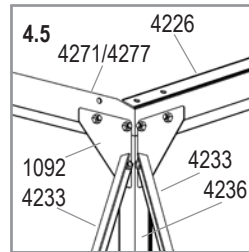
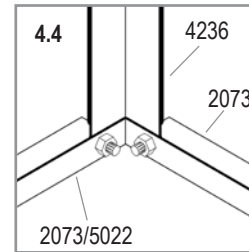
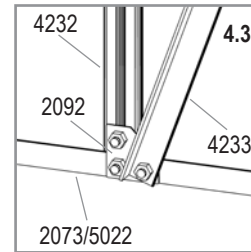
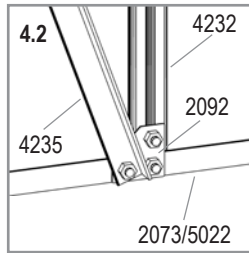
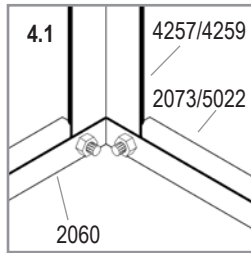
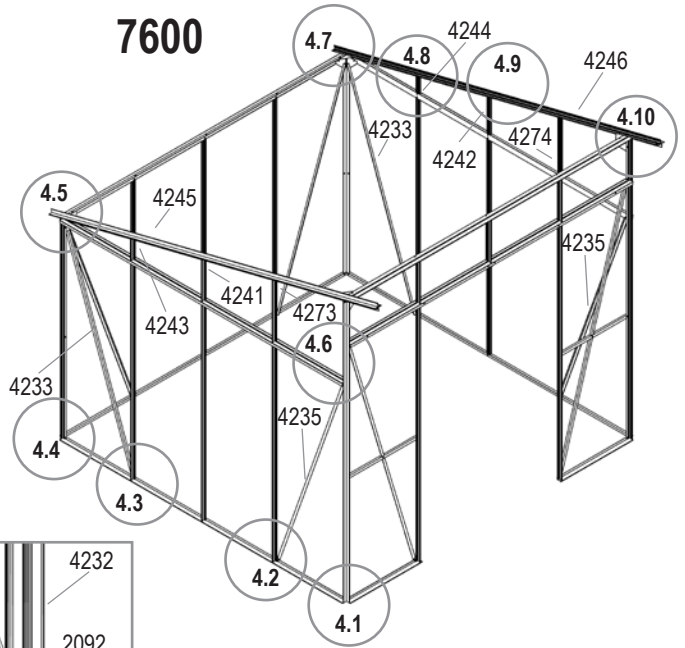
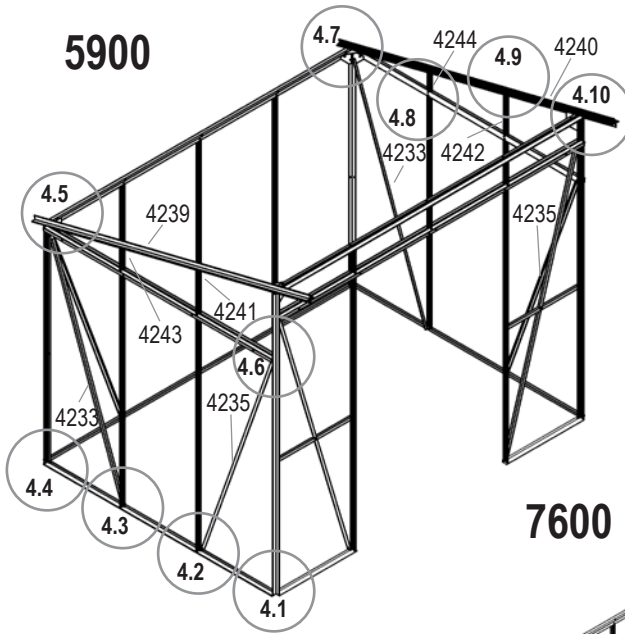
## 7600



# 4A

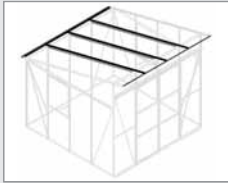


5900	7600
1001	
36x	40x
1002	
40x	44x
1092	
6x	
4233	
2x	
4235	
2x	
4239	
1x	-
4240	
1x	-
4241	
1x	
4242	
1x	
4243	
1x	
4244	
1x	
4245	
-	1x
4246	
-	1x
4273	
-	1x
4274	
-	1x



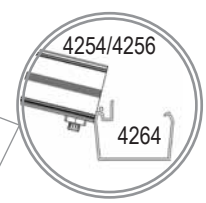
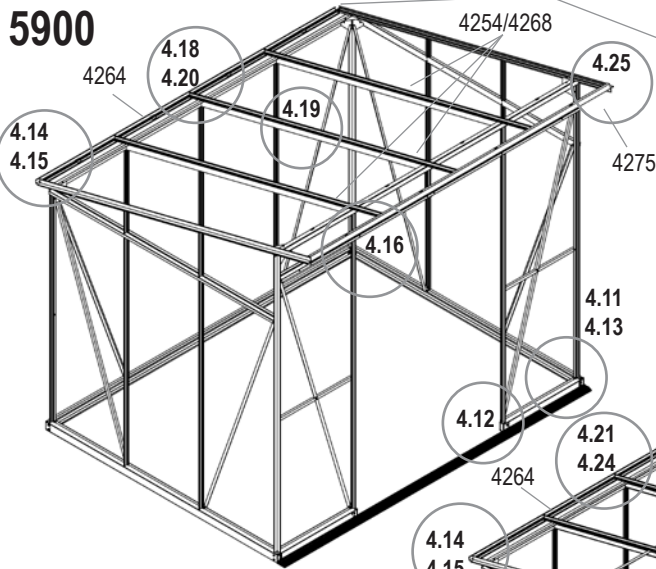
VM0055-FL

# 4B

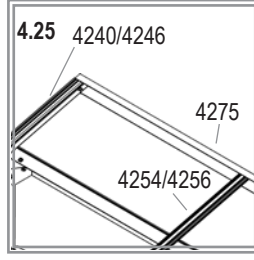
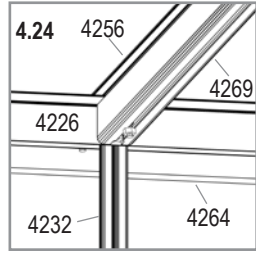
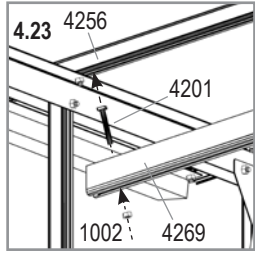
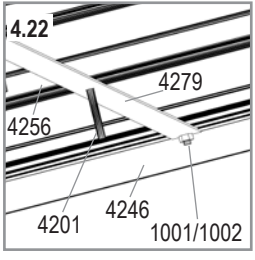
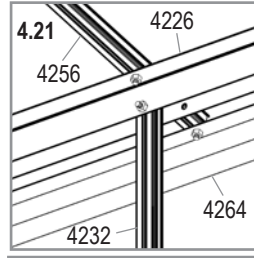
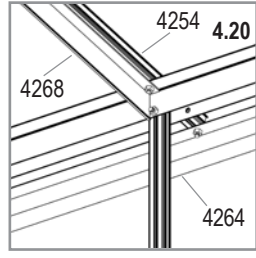
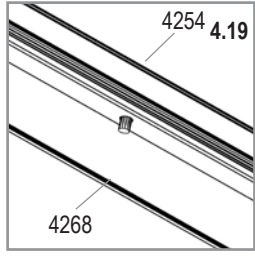
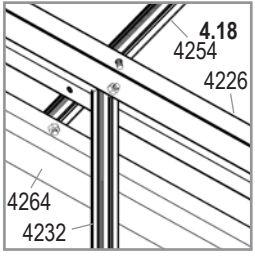
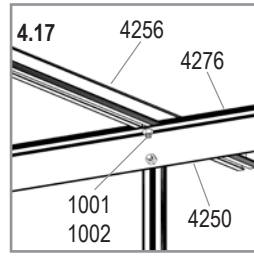
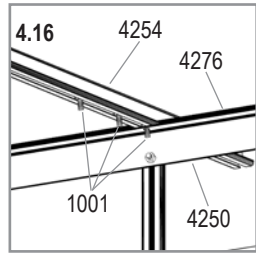
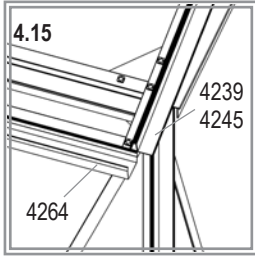
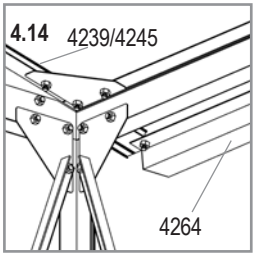
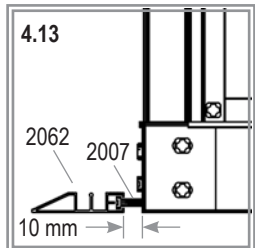
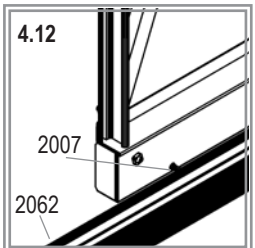
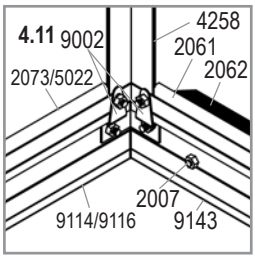
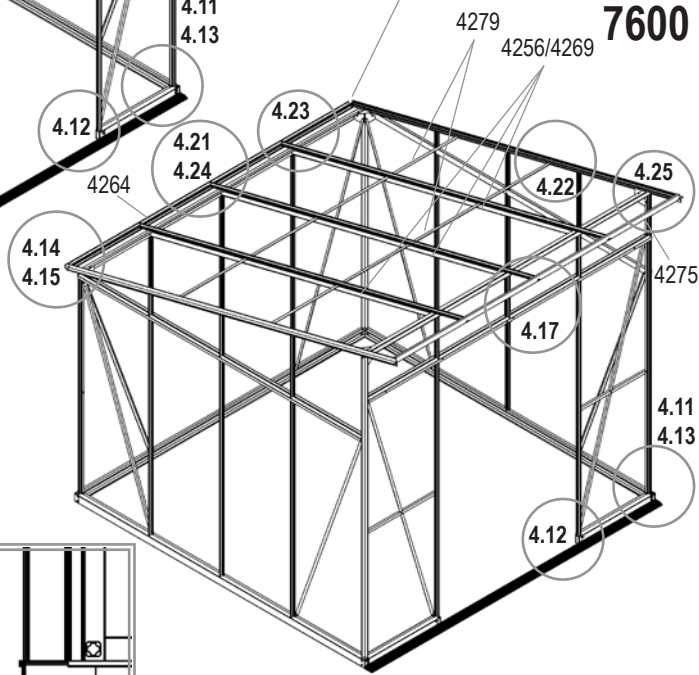


5900	7600
1001	
22x	20x
1002	
26x	36x
2007	
4x	4x
2062	
1x	1x
4201	
-	12x
4254	
3x	-
4256	
-	3x
4264	
1x	1x
4268	
3x	-
4269	
-	3x
4275	
1x	1x
4279	
-	2x
9002	
17x	19x

**5900**

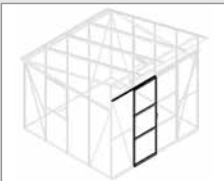





















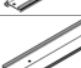


**7600**



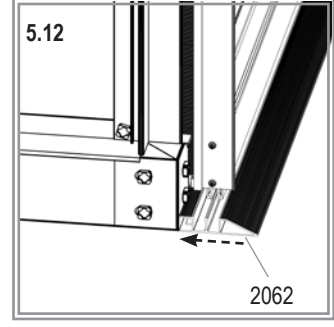
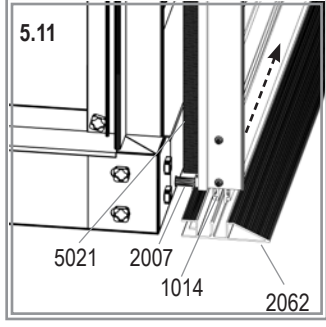
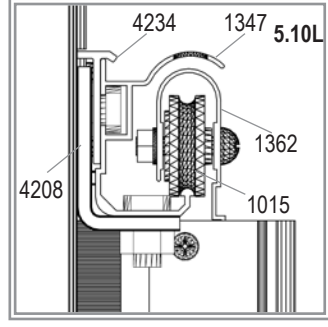
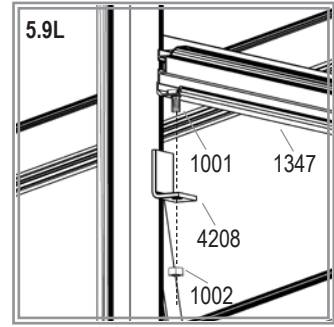
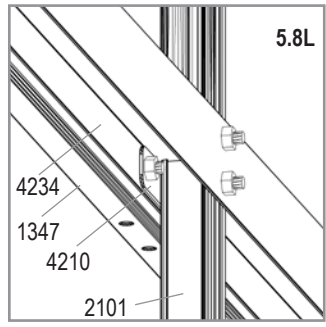
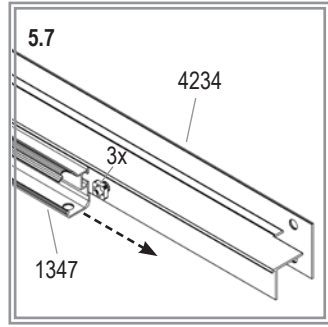
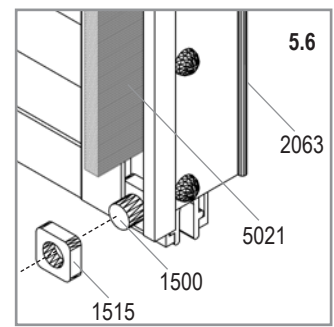
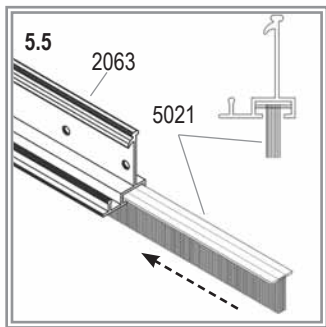
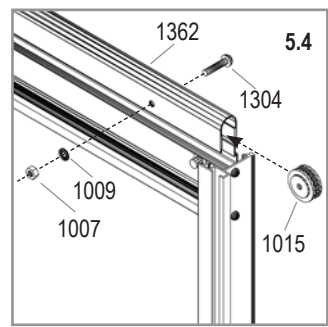
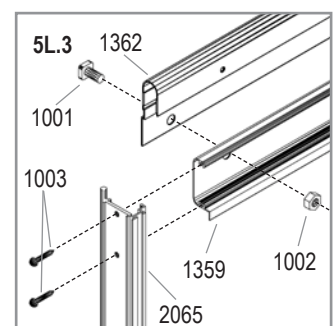
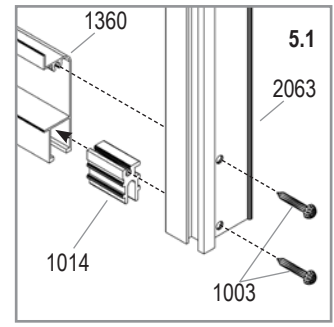
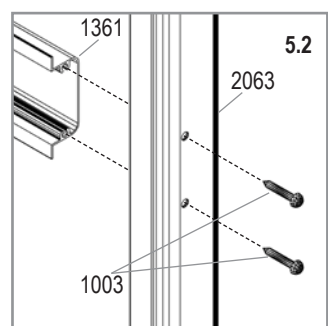
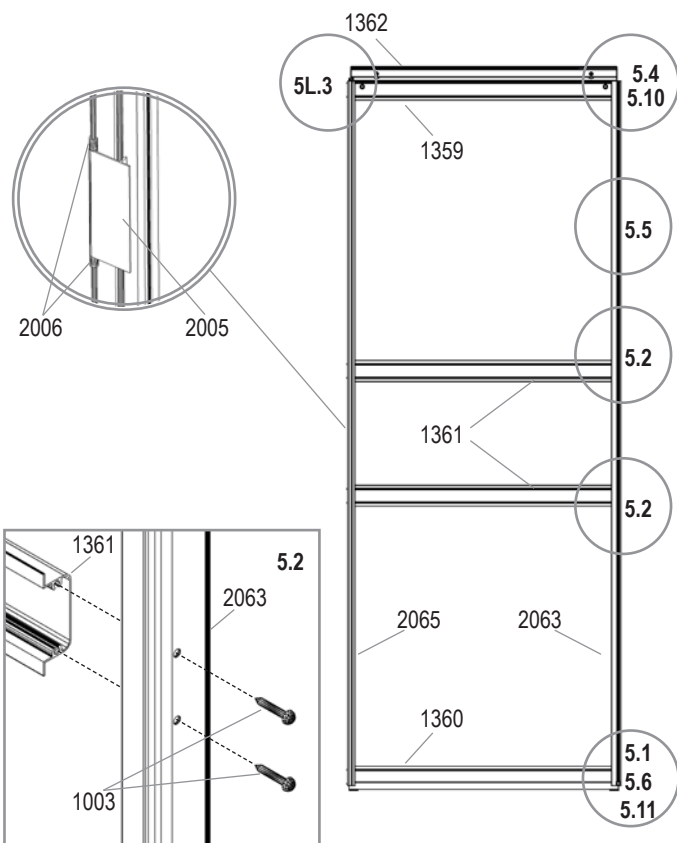
VM0055-FL

# 5L



- 1001 6x 
- 1002 6x 
- 1003 16x 
- 1007 2x 
- 1009 2x 
- 1014 2x 
- 1015 2x 
- 1304 2x 
- 1347 1x 
- 1359 1x 
- 1360 1x 
- 1361 2x 
- 1362 1x 
- 1500 1x 
- 1515 1x 
- 2005 1x 
- 2006 2x 
- 2063 1x 
- 2065 1x 
- 4208 1x 
- 4210 1x 
- 5021 1x 

VM0055-FL



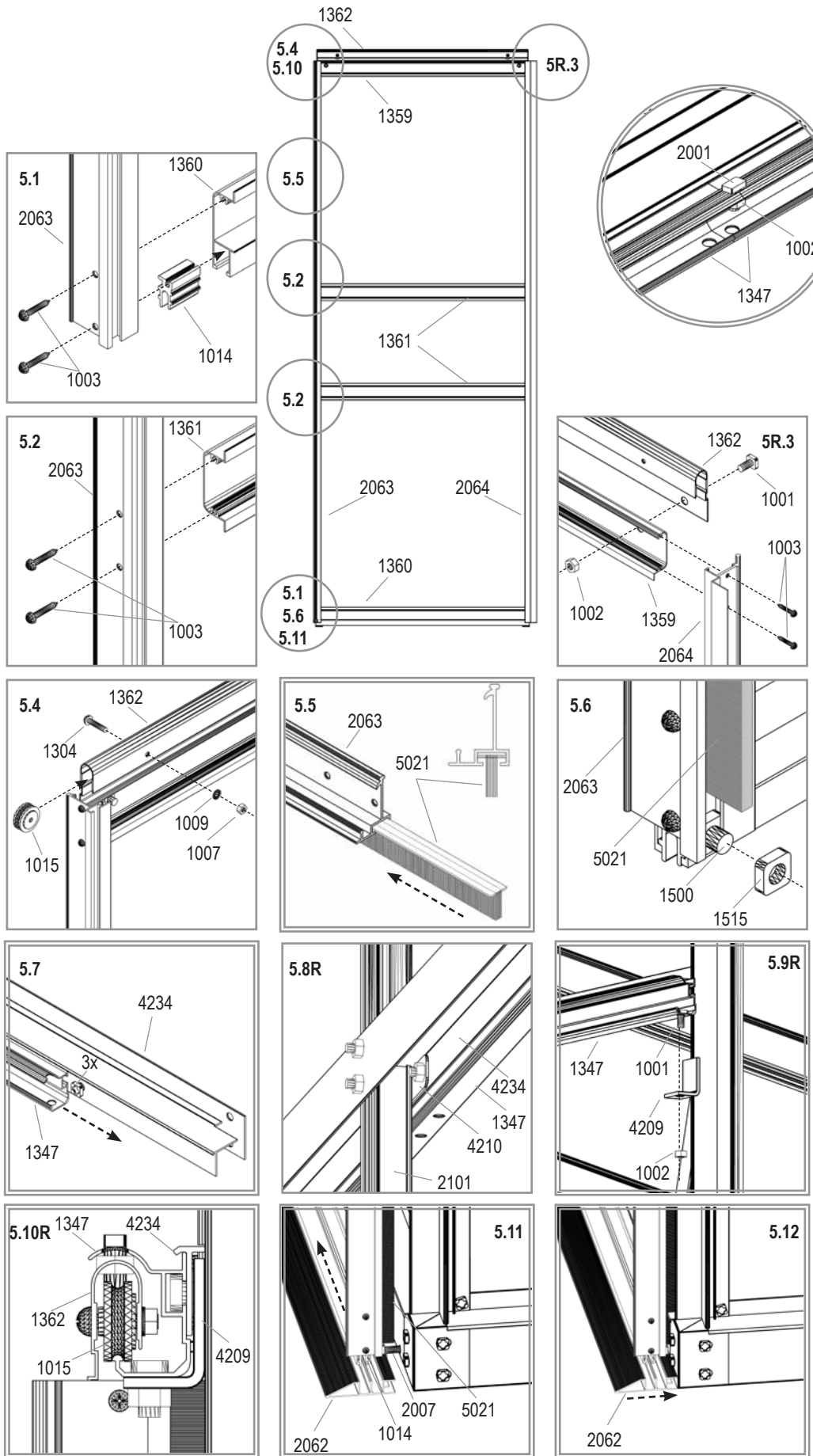


# 5R

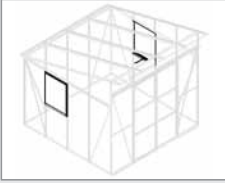


- 1001 6x
- 1002 7x
- 1003 16x
- 1007 2x
- 1009 2x
- 1014 2x
- 1015 2x
- 1304 2x
- 1347 1x
- 1359 1x
- 1360 1x
- 1361 2x
- 1362 1x
- 1500 1x
- 1515 1x
- 2001 1x
- 2063 1x
- 2064 1x
- 4209 1x
- 4210 1x
- 5021 1x

VM0055-FL

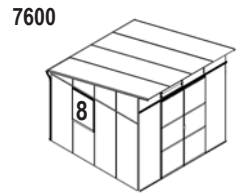
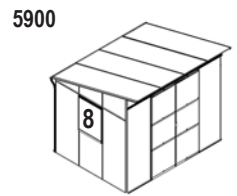
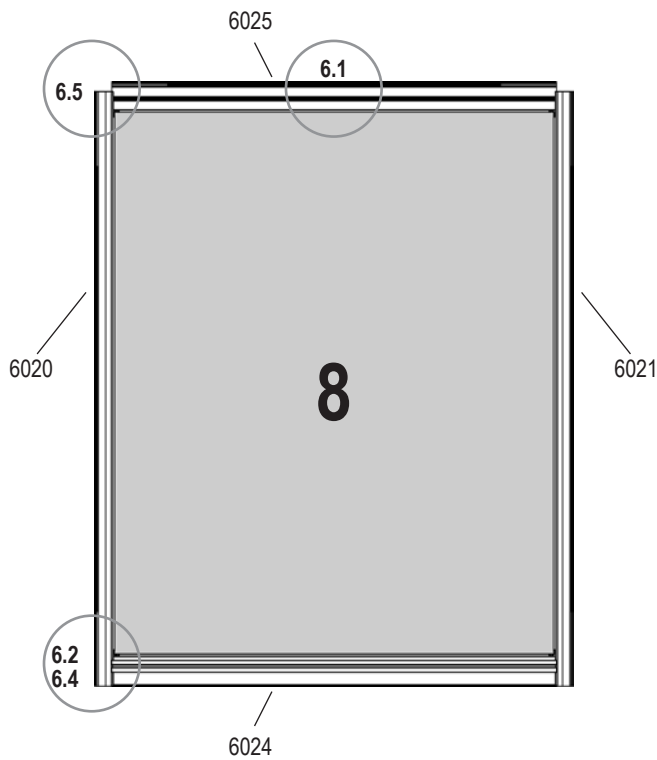


# 6

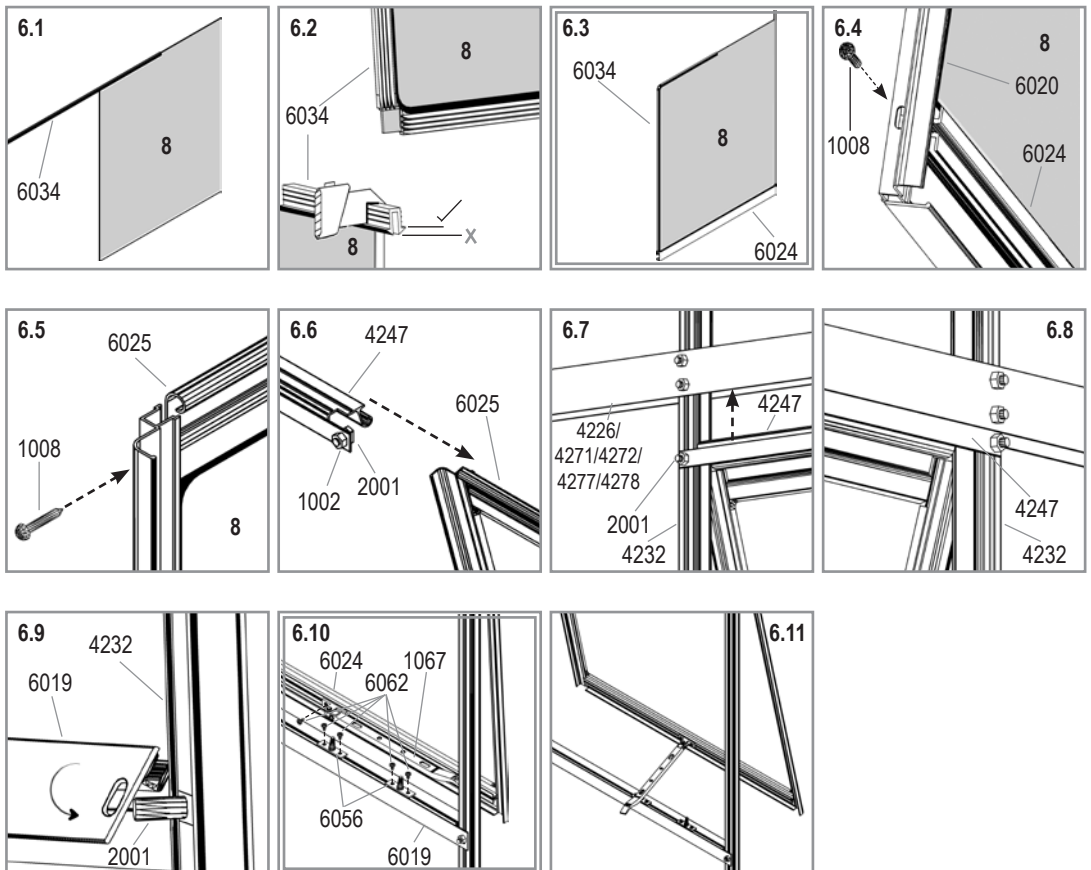


<b>5900</b>	<b>7600</b>
<b>1x</b>	<b>2x</b>
1002	
4x 1	4x 2
1008	
4x 1	4x 2
1067	
1x 1	1x 2
2001	
4x 1	4x 2
4247	
1x 1	1x 2
6019	
1x 1	1x 2
6020	
1x 1	1x 2
6021	
1x 1	1x 2
6024	
1x 1	1x 2
6025	
1x 1	1x 2
6034	
1x 1	1x 2
6056	
2x 1	2x 2
6062	
6x 1	6x 2

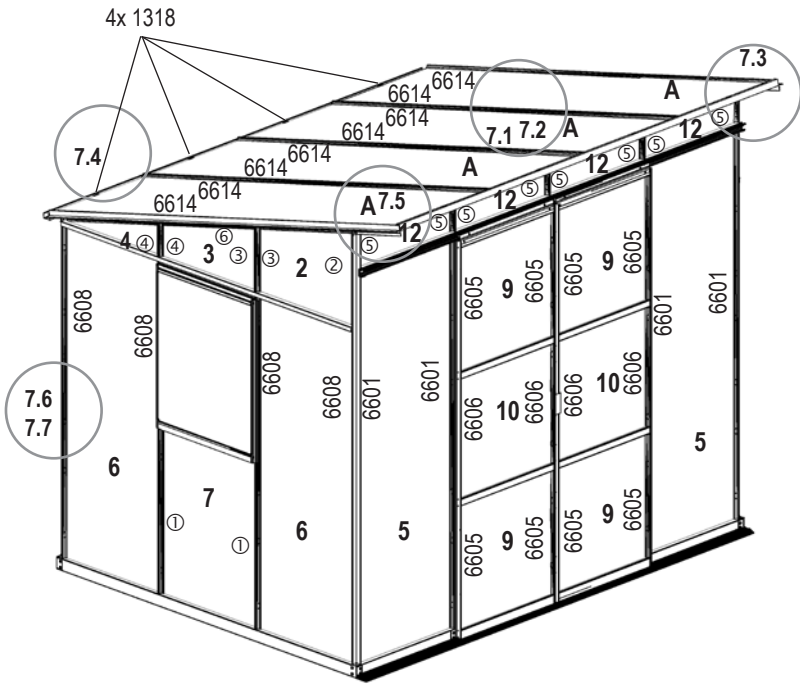
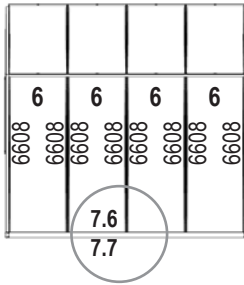
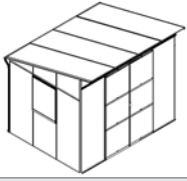
VM0055-FL



	No.	mm, Glass	mm (±3mm), 6mm PC	5900	7600
8	3679591	610 x 750	-	1x	2x
<b>Total</b>				<b>1x</b>	<b>2x</b>

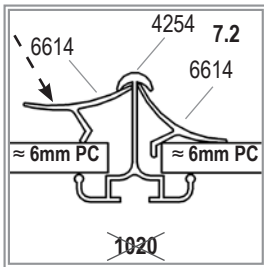
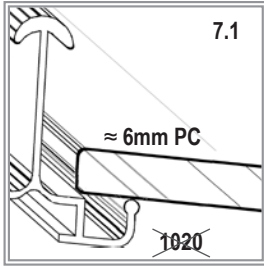


# 7 (5900)

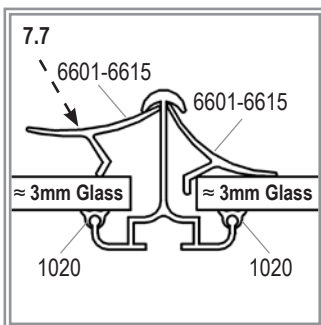
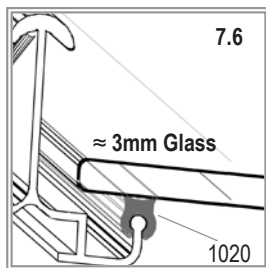
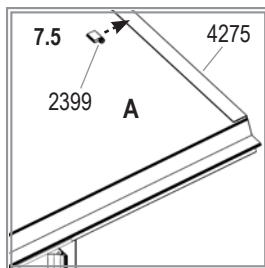
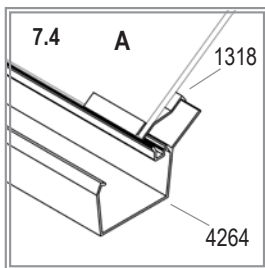
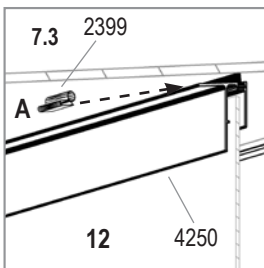


- 5900**
- 1020 1x
  - 1318 4x
  - 2399 8x

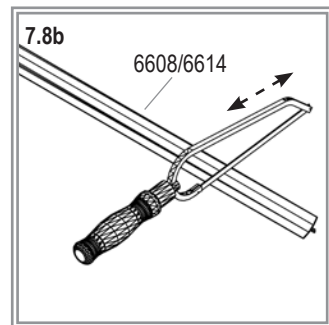
- \*
- 6601 4x
  - 6605 8x
  - 6606 4x
  - 6608 22x
  - 6614 10x



	No.	mm, Glass	mm (±3mm), 6mm PC	5900
A	40000576	-	610 x 2312	4x
2	3679931	612 x 472/320	-	2x
3	3679941	612 x 317/165	-	2x
4	3679951	612 x 162/10	-	2x
5	3678331	612 x 1958	-	2x
6	40000565	612 x 1656	-	9x
7	40000566	612 x 834	-	1x
9	3679011	610 x 610	-	4x
10	3679971	610 x 588	-	2x
12	40000567	612 x 178	-	4x
<b>Total</b>				<b>32x</b>

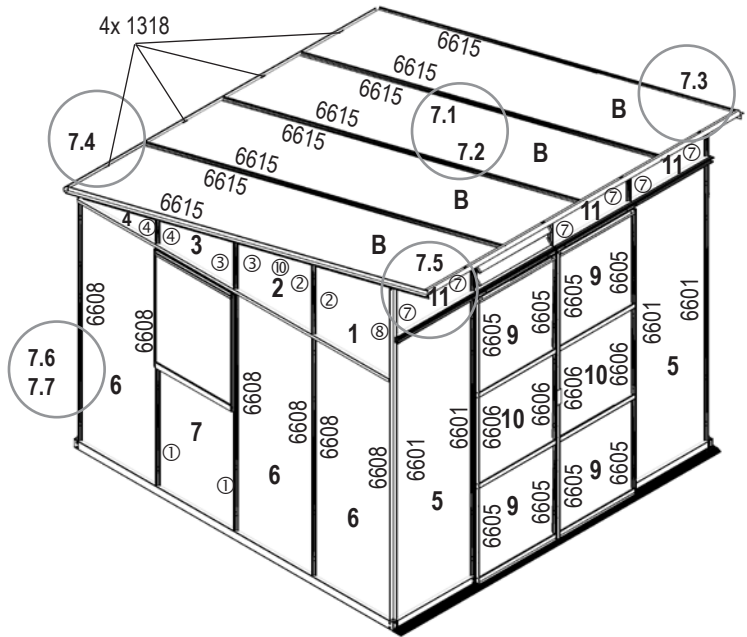
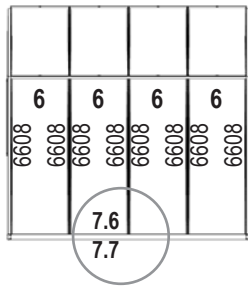
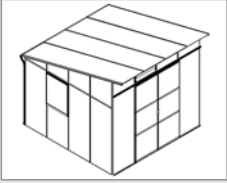


7.8a	⊗	≈ ∠	quantity
6608 4x	①	830mm	2x
	②	472mm	2x
	③	317mm	4x
	④	162mm	4x
	⑤	156mm	8x
6614 2x	⑥	1910mm	2x



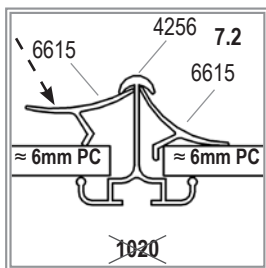
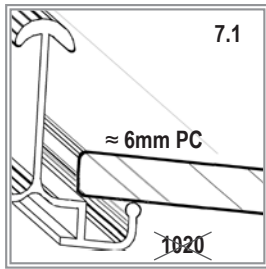
VM0055-FL

# 7 (7600)

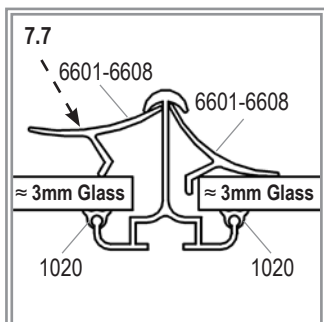
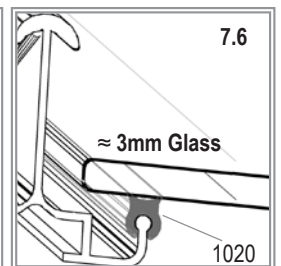
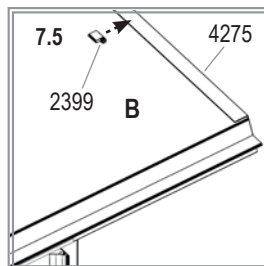
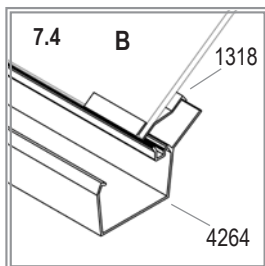
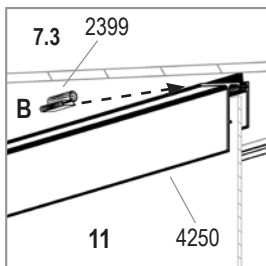


7600	
1020	1x
1318	4x
2399	8x

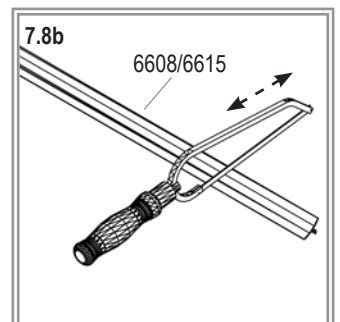
*	
6601	4x
6605	8x
6606	4x
6608	27x
6615	10x



	No.	mm, Glass	mm (±3mm), 6mm PC	7600
B	40000577	-	610 x 2953	4x
1	40000568	612 x 627/475	-	2x
2	3679931	612 x 472/320	-	2x
3	3679941	612 x 317/165	-	2x
4	3679951	612 x 162/10	-	2x
5	3678331	612 x 1958	-	2x
6	40000565	612 x 1656	-	10x
7	40000566	612 x 834	-	2x
9	3679011	610 x 610	-	4x
10	3679971	610 x 588	-	2x
11	40000569	612 x 333	-	3x
<b>Total</b>				<b>35x</b>



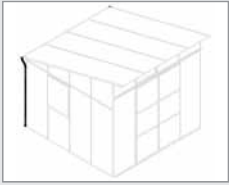
7.8a	(X)	≈	quantity	
6608 7x	①	830mm	4x	
	②	472mm	4x	
	③	317mm	4x	
	④	162mm	4x	
	⑦	310mm	6x	
	⑧	627mm	2x	
	⑨	25mm	2x (S.9)	
	6615 2x	⑩	2550mm	2x



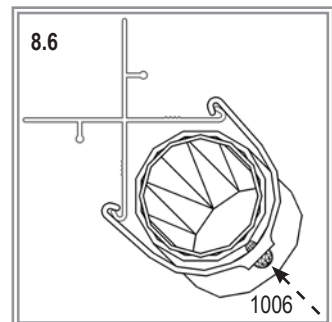
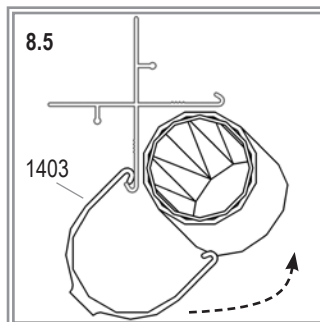
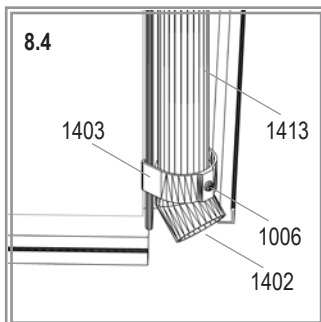
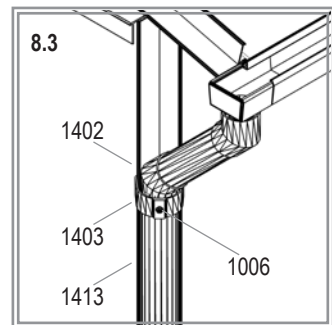
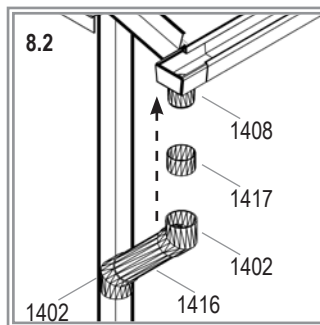
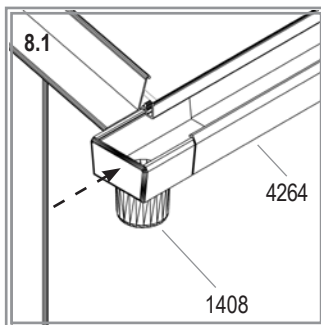
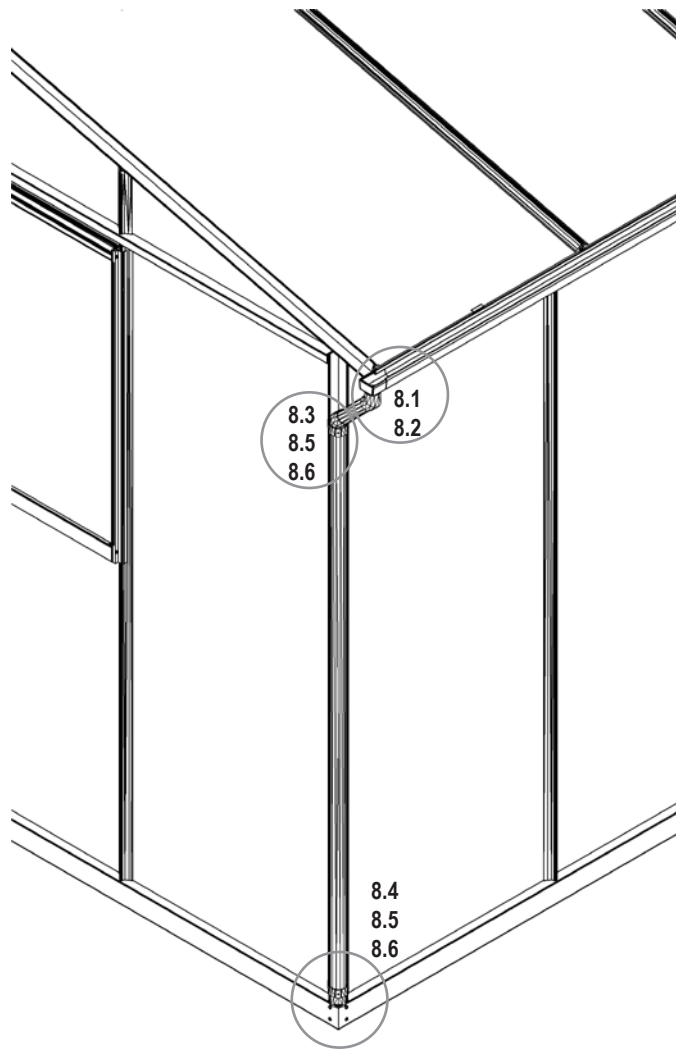
VM0055-FL



# 8



1006 4x	
1402 6x	
1403 4x	
1408 2x	
1413 2x	
1416 2x	
1417 2x	



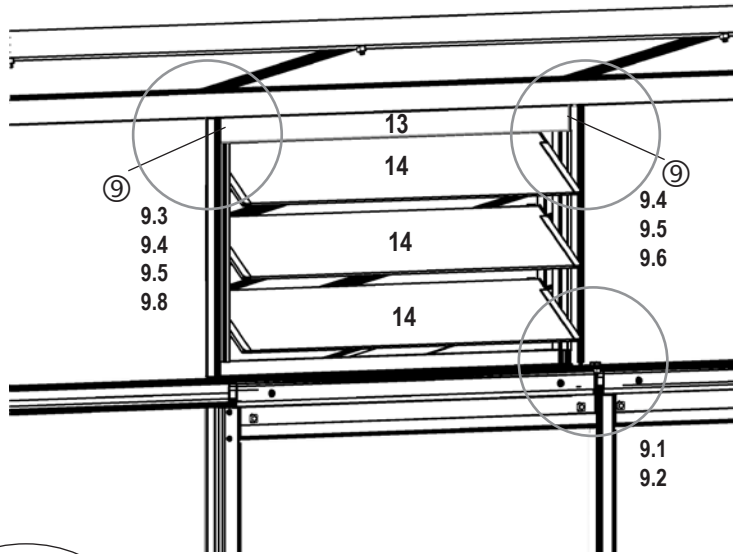
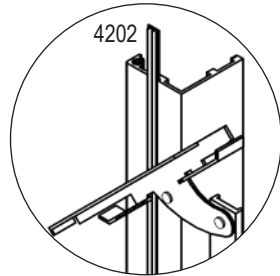
VM0055-FL

# 9 (7600)



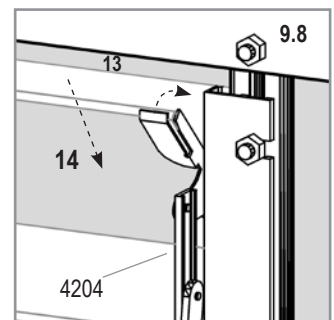
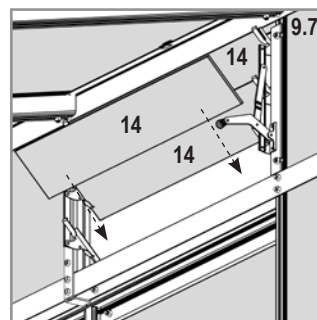
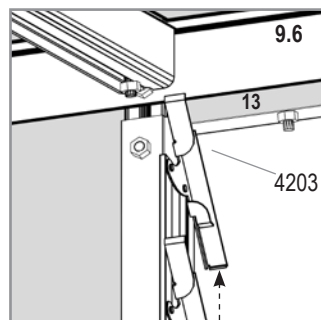
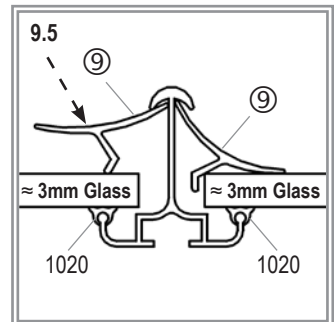
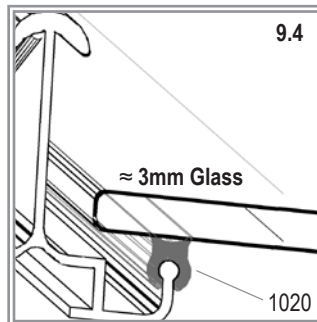
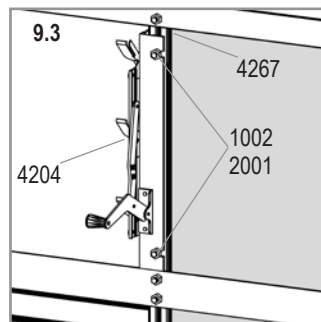
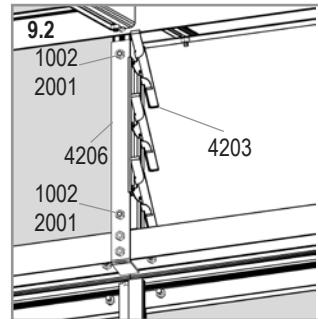
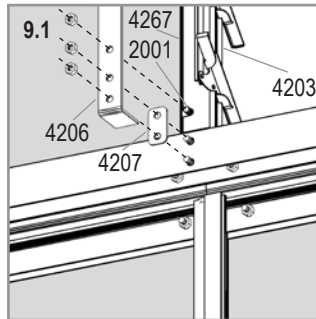
## 7600

1002 4x	
1020 1x	
2001 4x	
4203 (4202) 1x	
4204 (4202) 1x	
4206 1x	
4207 1x	



	No.	mm, Glass	mm (±3mm), 6mm PC	
13	367840	612 x 50	-	1x
14	015599	575 x 100	-	3x
<b>Total</b>				<b>4x</b>

*	
⑨	
2x	



VM0055-FL









E.P.H. Schmidt u. Co. GmbH  
Hoefkerstrasse 30  
44149 Dortmund  
Postfach 170163  
44060 Dortmund  
Deutschland  
Tel.: +49 231 941655 0  
Fax: +49 231 941655 99  
[www.eph-schmidt.de](http://www.eph-schmidt.de)  
[verkauf@eph-schmidt.de](mailto:verkauf@eph-schmidt.de)

OPJ A/S  
Volderslevvej 36 A  
5260 Odense S  
Danmark  
Tel.: +45 66 15 10 30  
Fax: +45 66 15 00 84  
[www.opj.dk](http://www.opj.dk)  
[opj@opj.dk](mailto:opj@opj.dk)