

⇒ Andres

# TDL 100 - Moro

## Combination examples

Chair 2000



Chair 2000



Chair 2000



Footrest 2050



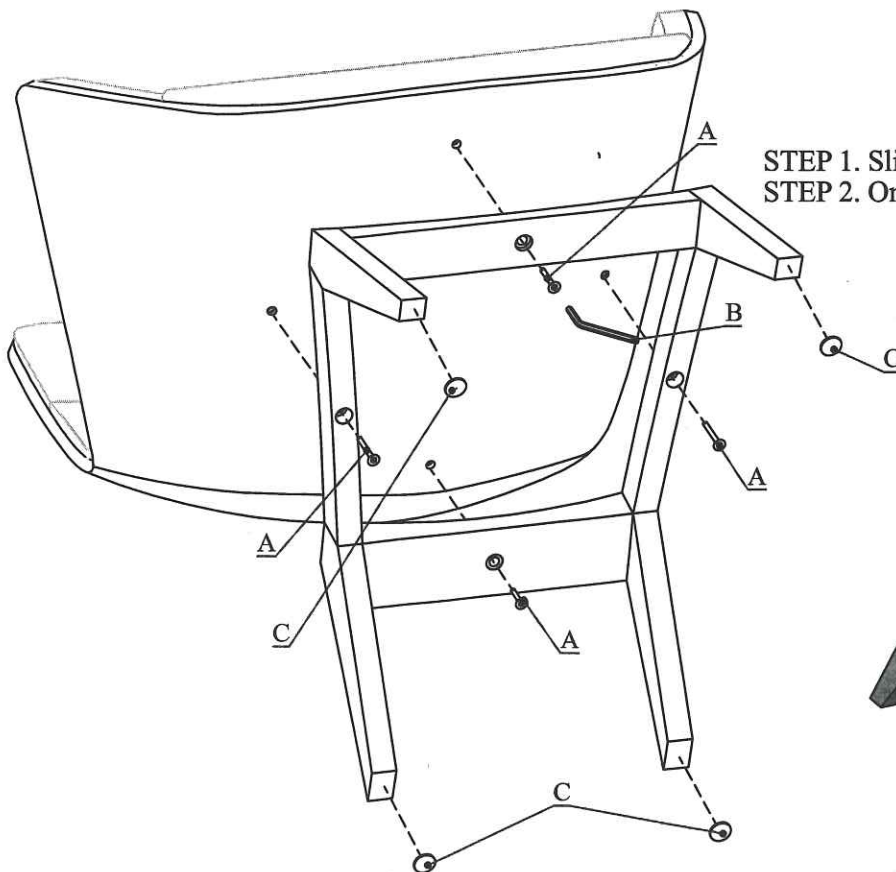
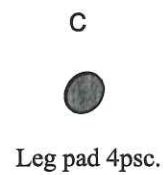
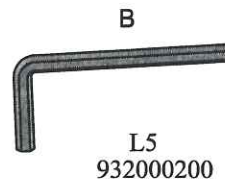
Footrest 2050



Footrest 2050

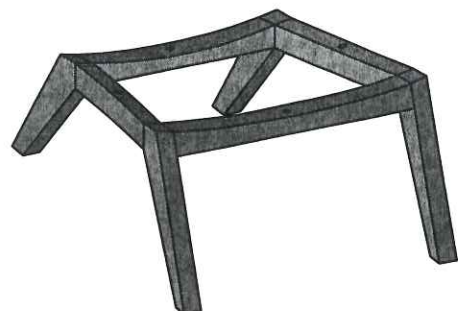


## Legs attachment - leg 33310260003 / 33310260001




STEP 1. Slightly screw all bolts  
STEP 2. Only then screw all bolts by 100%.

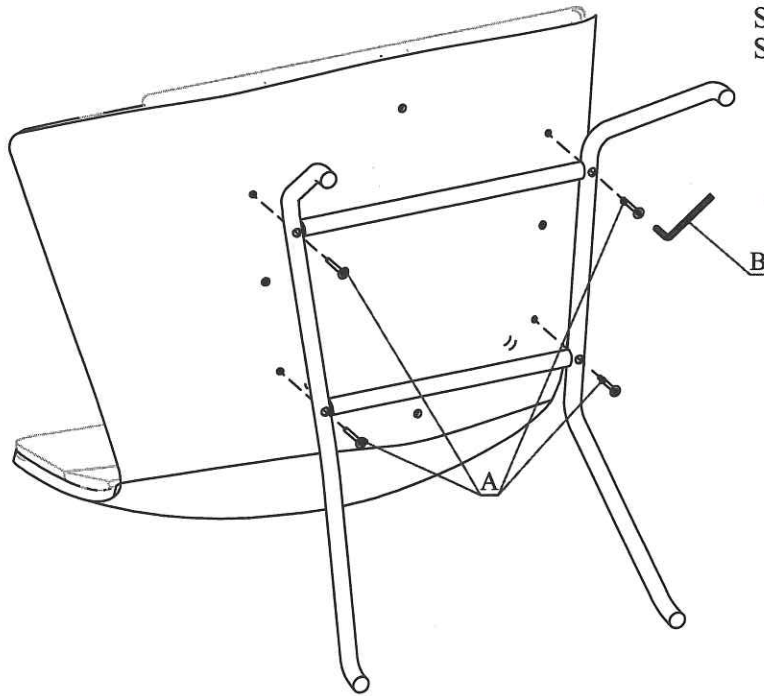
Leg oak oiled 33310260003  
Leg birch black 33310260001



Legs attachment - leg 33310260010 / 33310260011

A  
  
 M6 x 25mm 4psc.  
 932000204

B  
  
 L4 key  
 932000329



STEP 1. Slightly screw all bolts  
 STEP 2. Only then screw all bolts by 100%.


Leg metal shiny chrome  
 33310260010  
 Leg metal matt chrome  
 33310260011




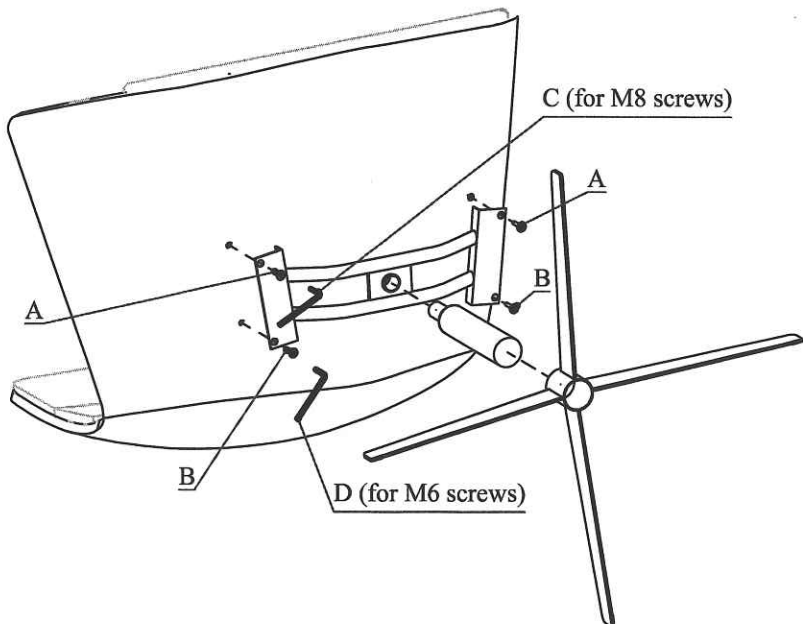
Legs attachment - leg 33310260050

A  
  
 M8 x 30mm 2psc.  
 932000304


B  
  
 M6 x 30mm 2psc.  
 932000272


C  
  
 L5 key  
 932000200

D  
  
 L4 key  
 932000329



Set of leg 33310260050:

Bridge  
 930031023  


Center pipe  
 930031022  


Leg base  
 333103505  
