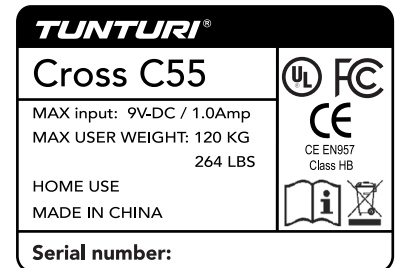


# TUNTURI®

## C55 Crosstrainer

|    |                         |         |
|----|-------------------------|---------|
| GB | User manual             | 23 - 30 |
| DE | Benutzerhandbuch        | 31 - 39 |
| FR | Manuel de l'utilisateur | 40 - 48 |
| NL | Gebruikershandleiding   | 49 - 46 |
| IT | Manuale d'uso           | 57 - 64 |
| ES | Manual del usuario      | 65 - 72 |
| SV | Bruksanvisning          | 73 - 80 |
| SU | Käyttöohje              | 81 - 88 |

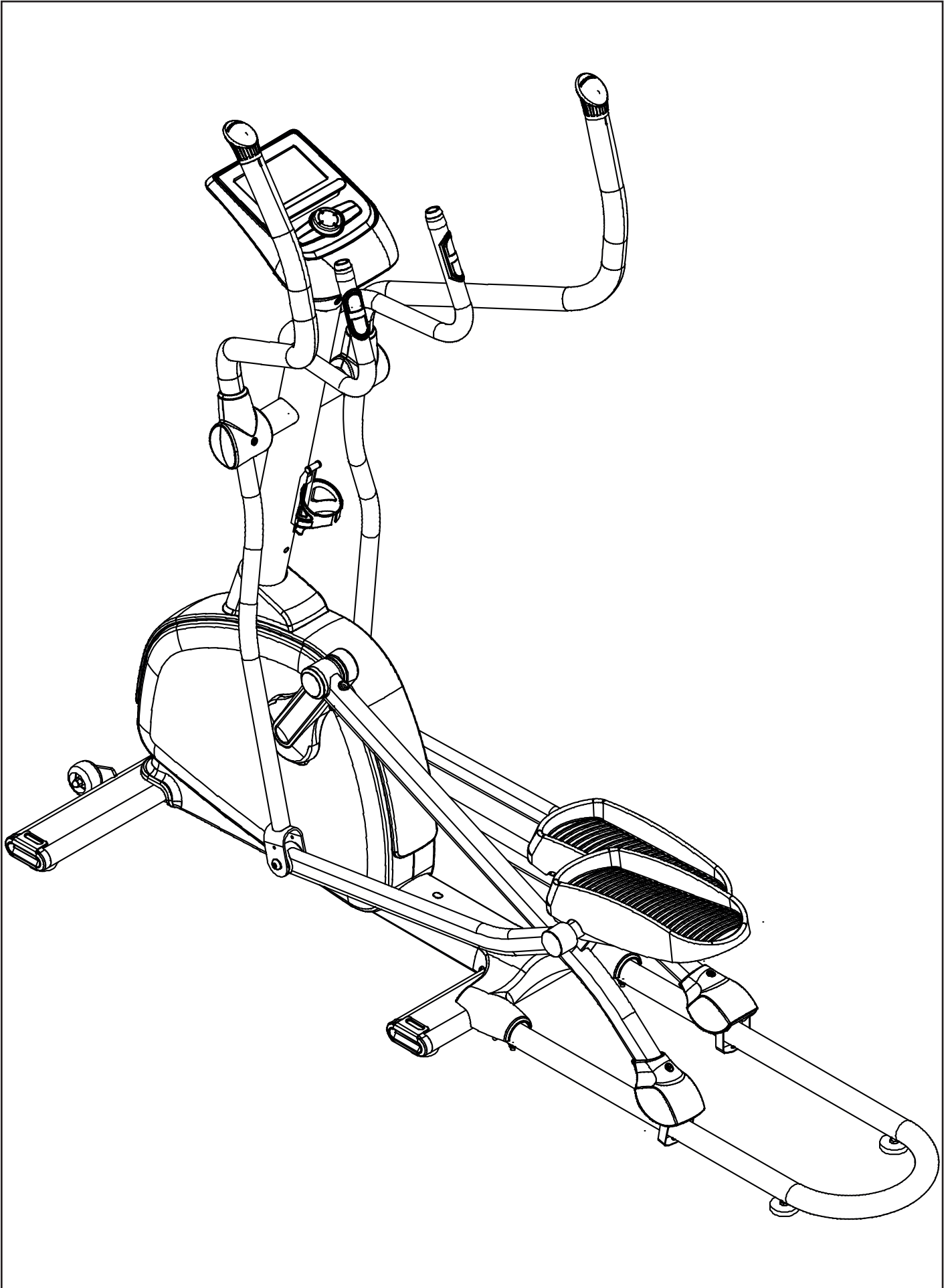


**Attention, Achtung, Attention, Attentie, Attenzione, Atención, Giv akt, Huomio**

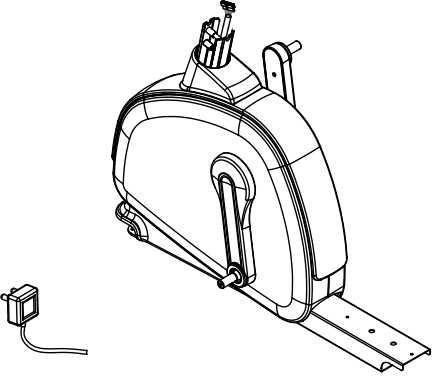
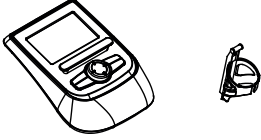
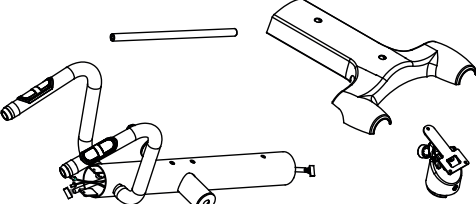
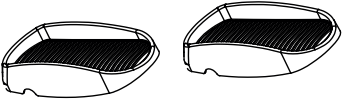
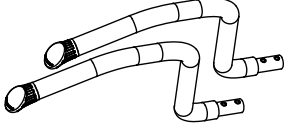
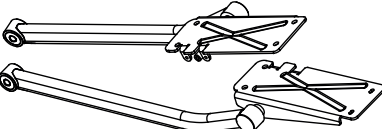
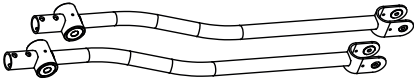
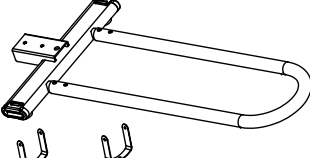
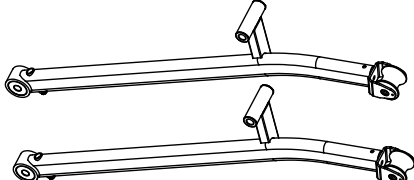
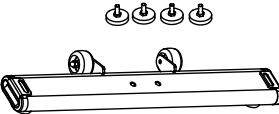
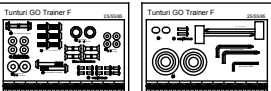

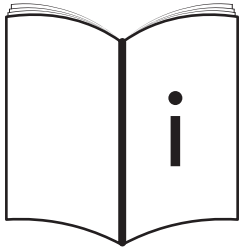
- Please read this Owner's manual before assembling this product.
- Bitte lesen Sie dieses Handbuch durch, bevor Sie mit er Montage dieses Produkts beginnen.
- Veuillez lire ce manuel avant de commencer le montage de ce produit.
- Leest u deze handleiding voordat u dit apparaat installeert.
- Leggere questo manuale prima di assemblare questo prodotto.
- Lea este manual antes de montar este producto
- Läs bruksanvisningen innan du monterar denna produkt
- Lue tämä käsikirja ennen kokoamista tuotetta



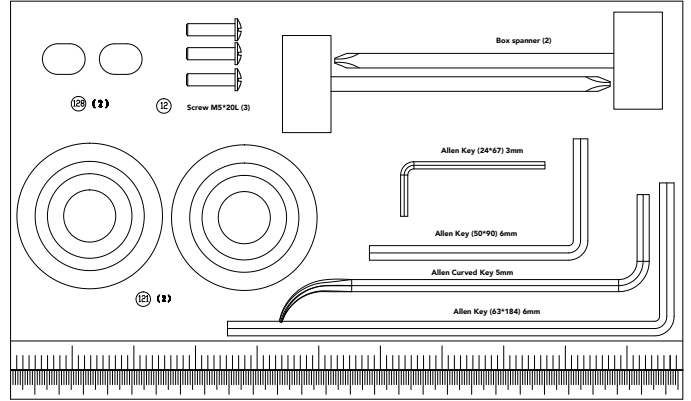
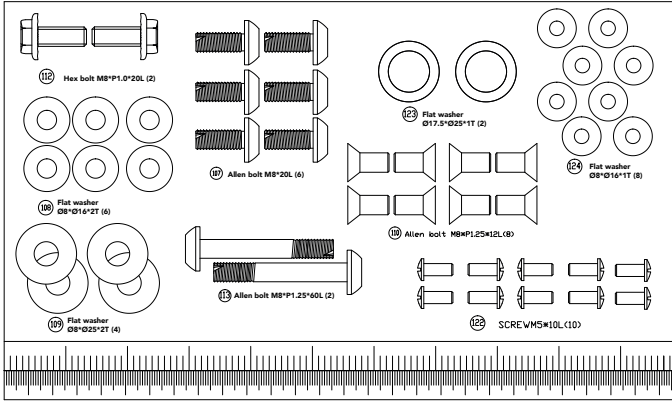
A



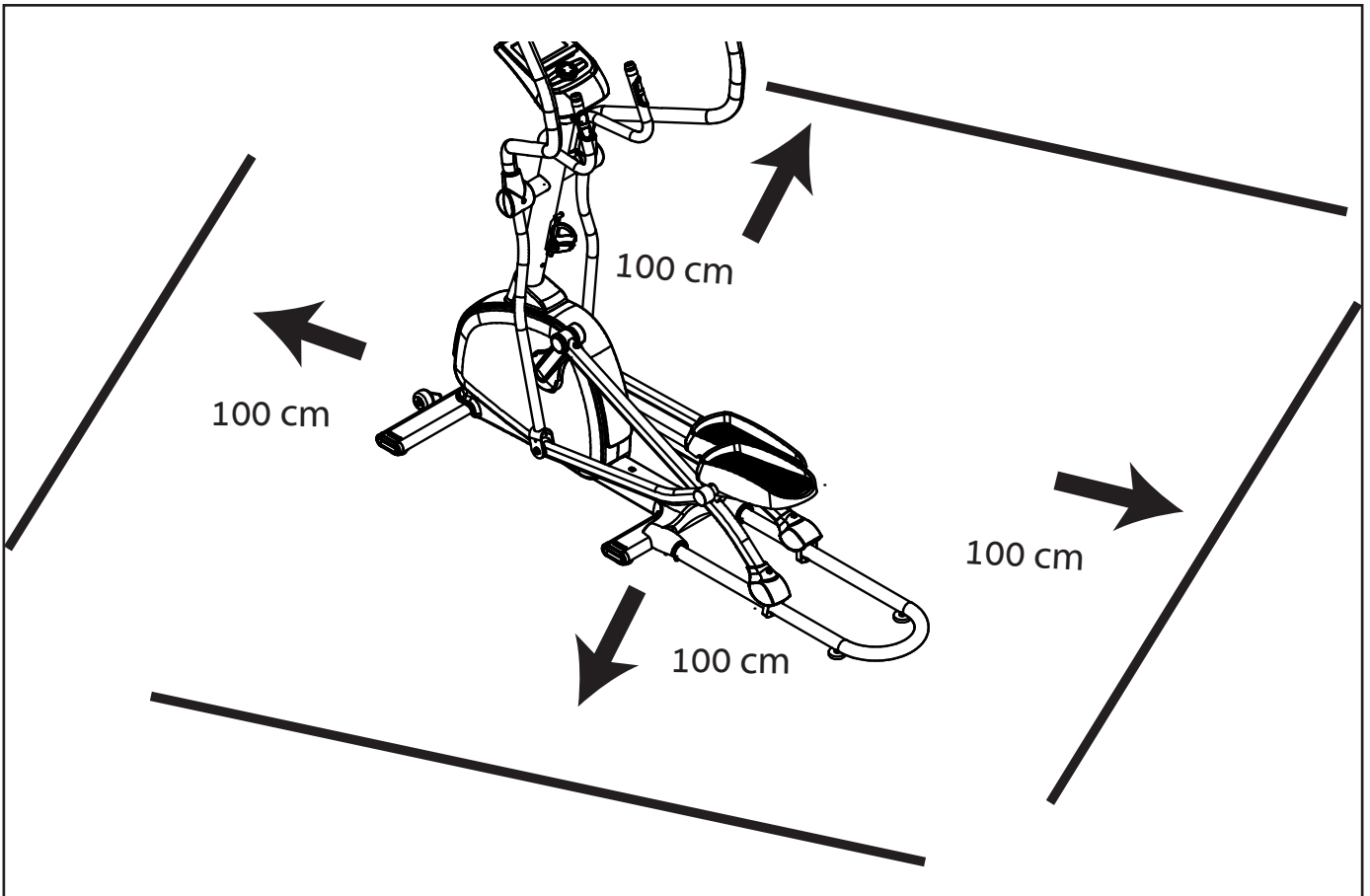
**B**

|   |              |  |            |
|---|--------------|--|------------|
|    | <p>1/1</p>   |    | <p>1/1</p> |
|   | <p>1/1</p>   |    | <p>2/2</p> |
|   | <p>1/1</p>   |   | <p>1/1</p> |
|  | <p>1/1</p>   |  | <p>1/1</p> |
|  | <p>1/1/1</p> |  | <p>1/1</p> |
|  | <p>5</p>     |  | <p>1/1</p> |
|   | <p>4/2/2</p> |  |            |

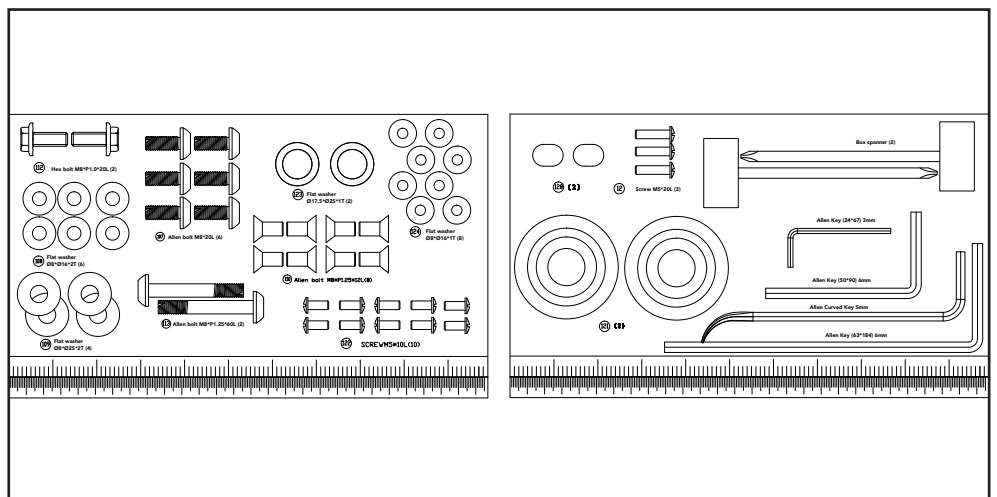
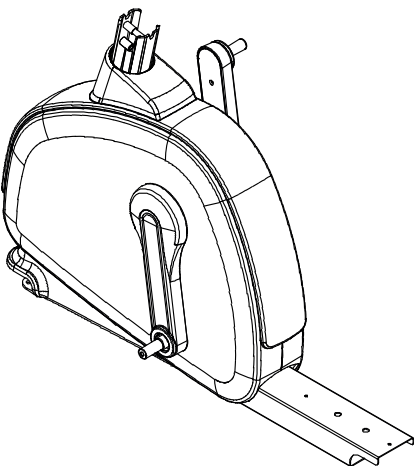
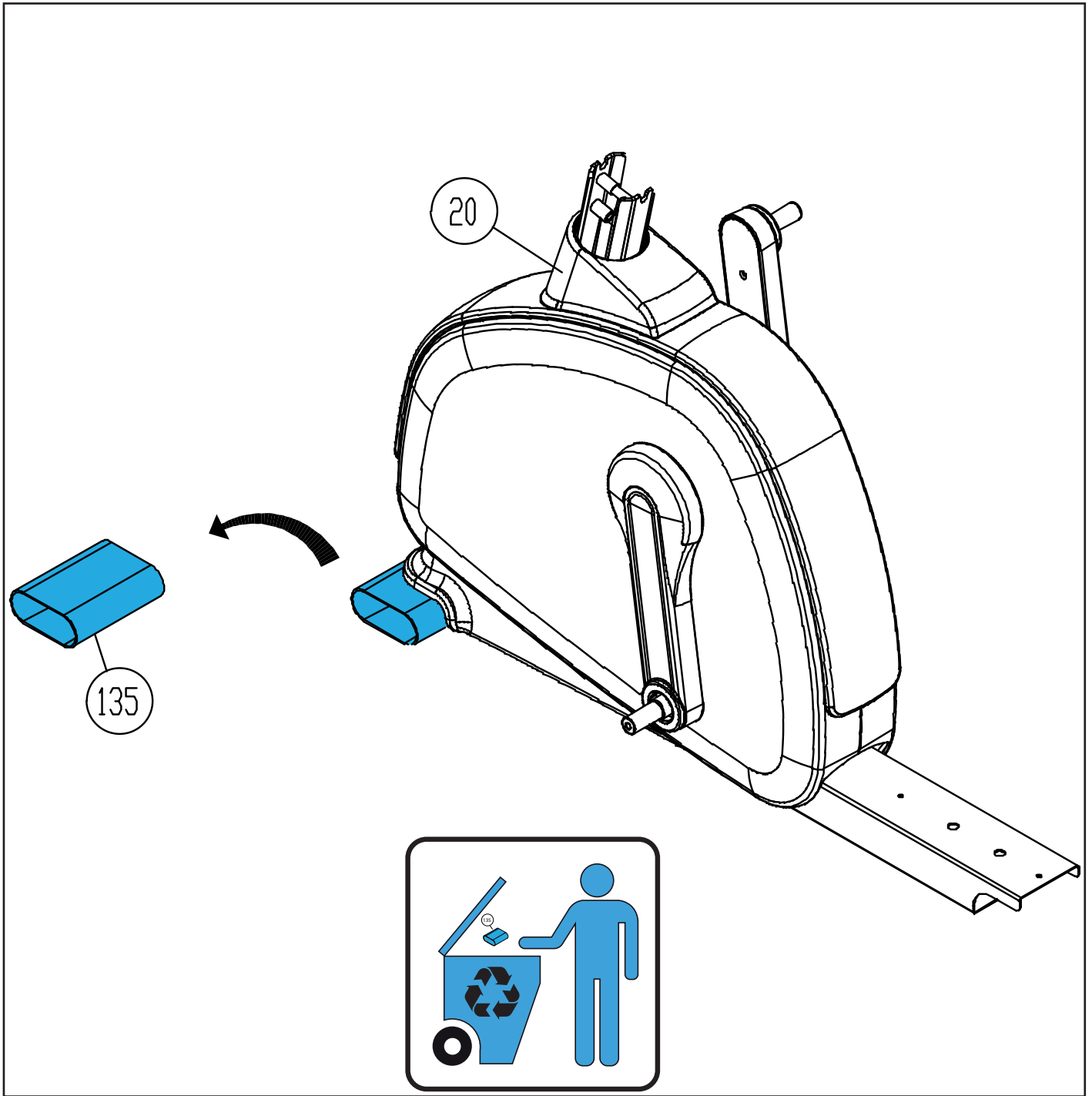
# C



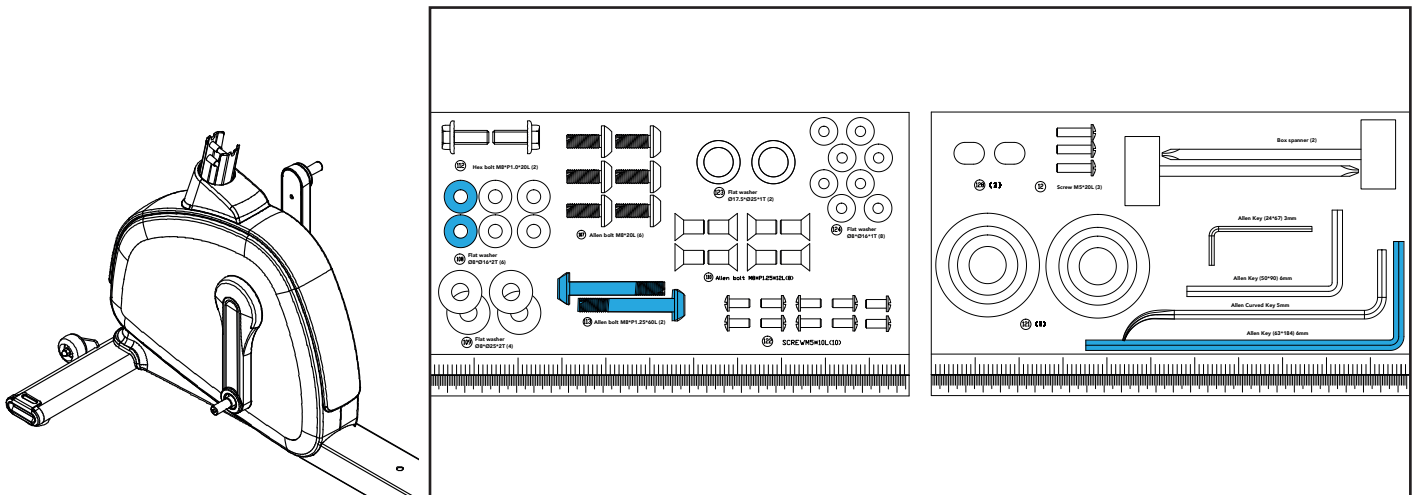
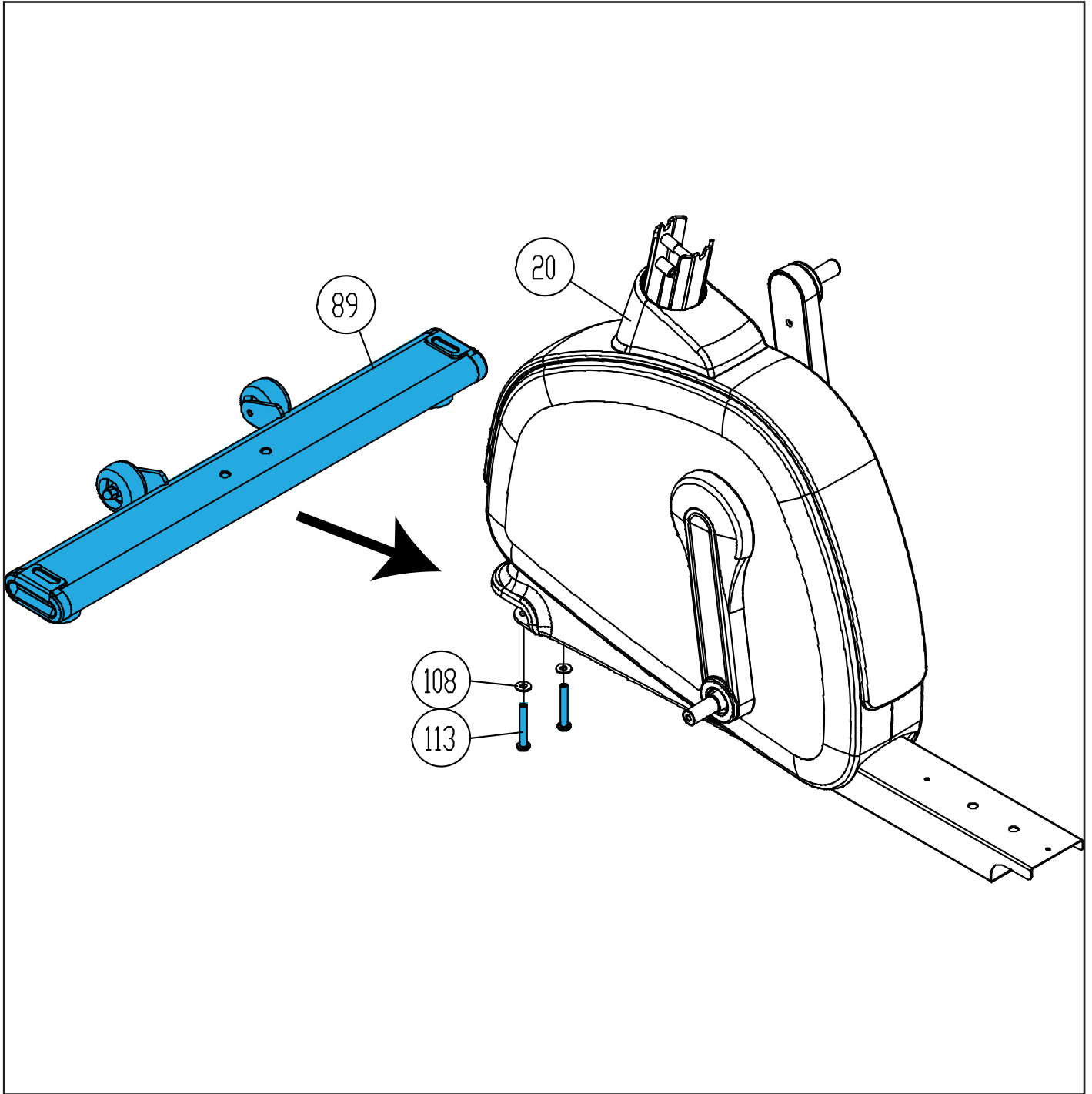
# D-0



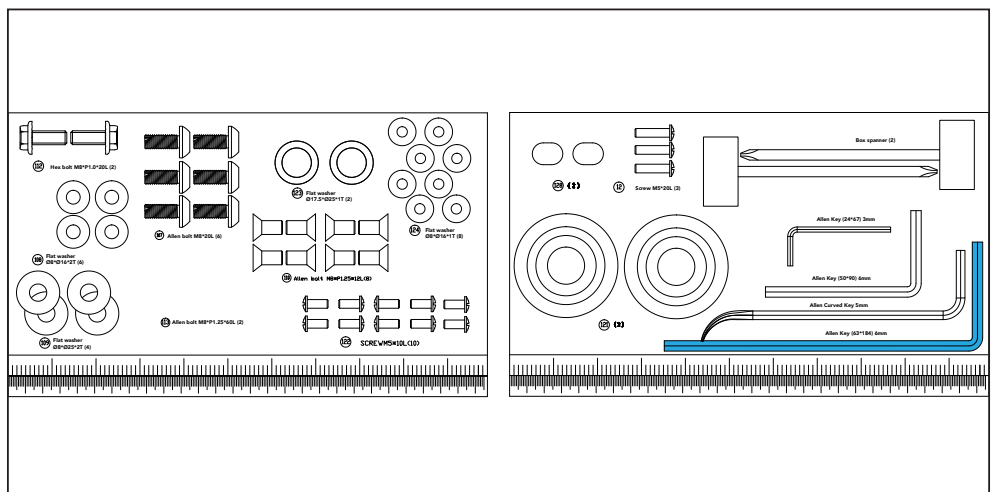
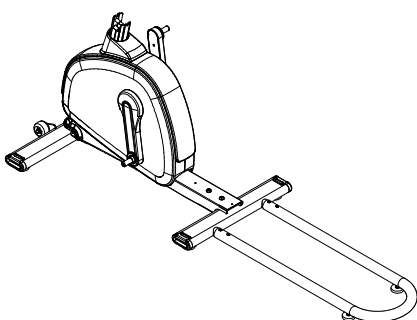
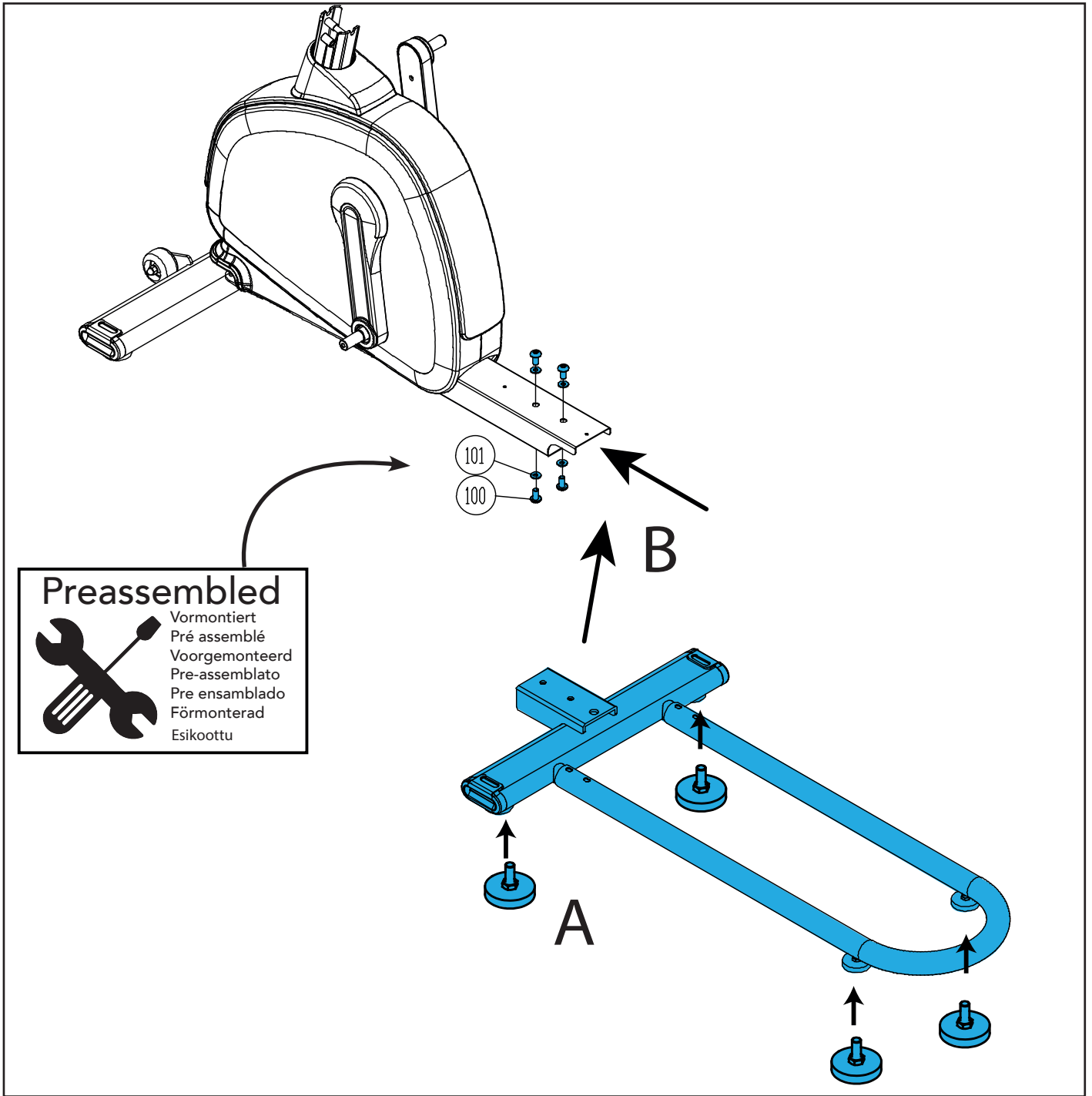
# D-1



# D-2

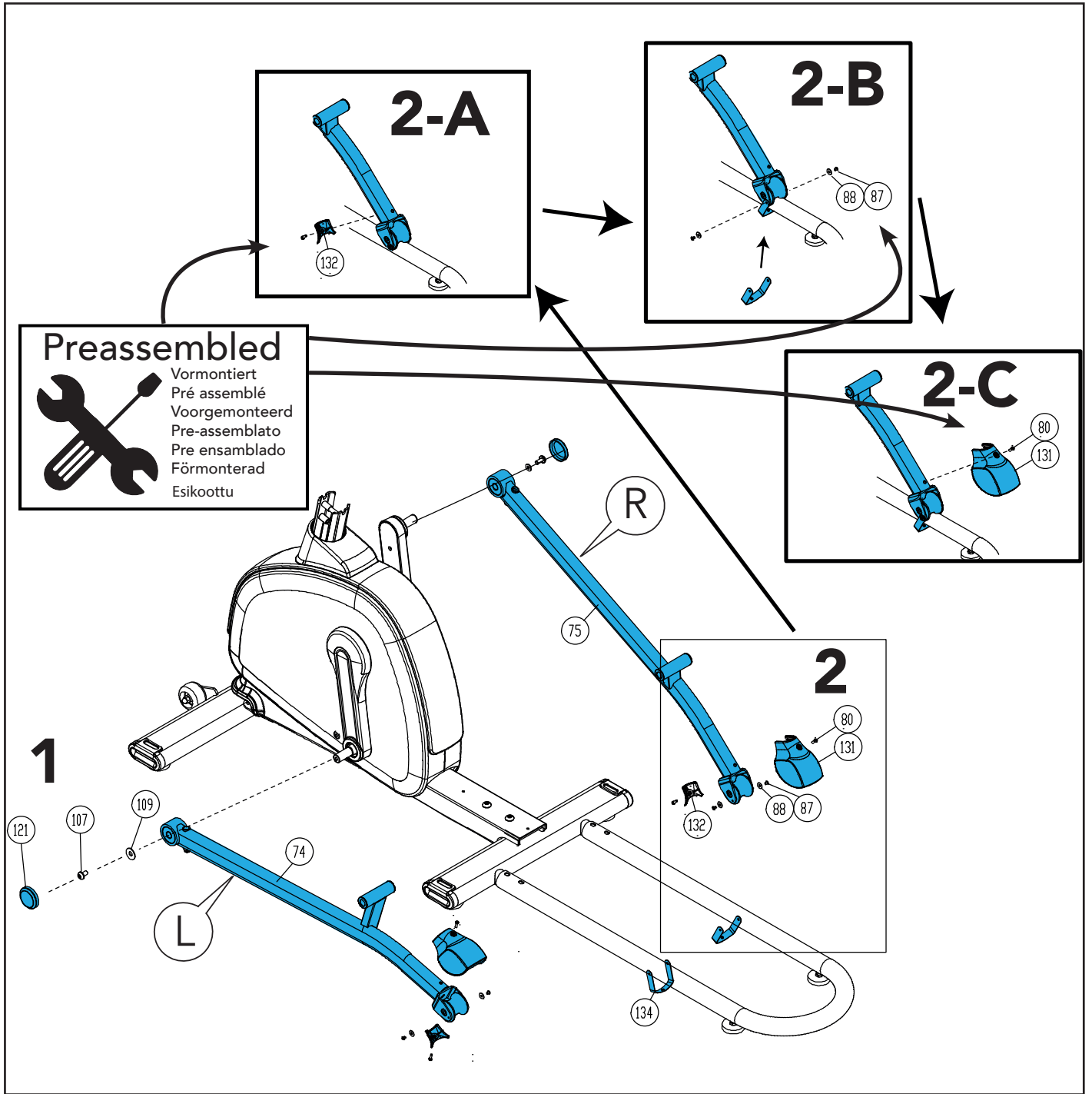


# D-3

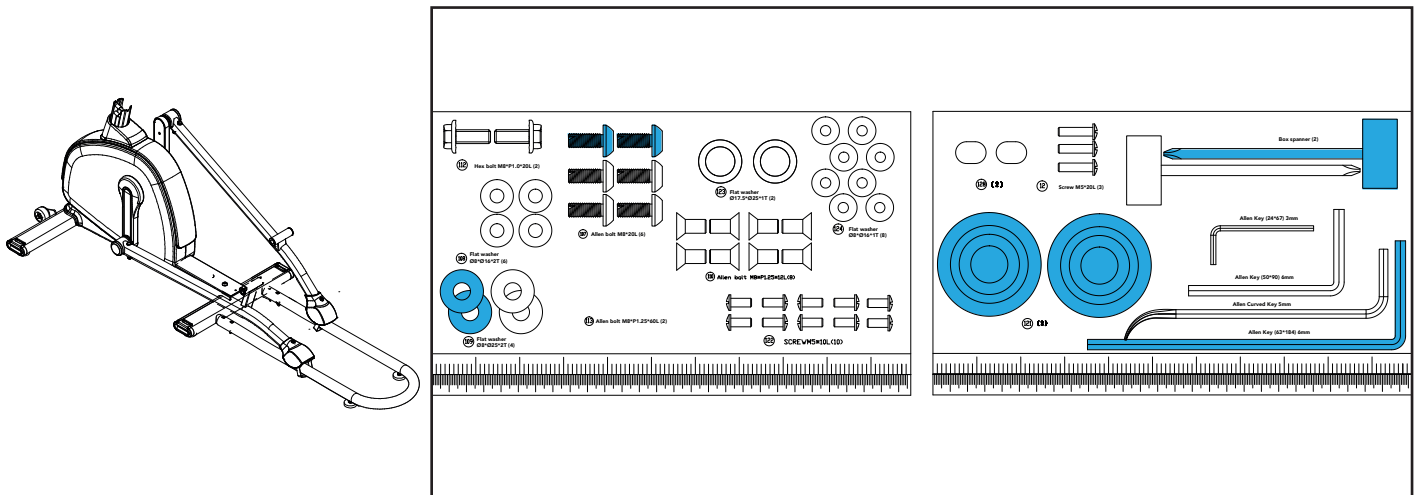




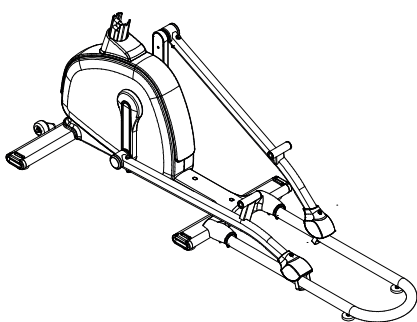
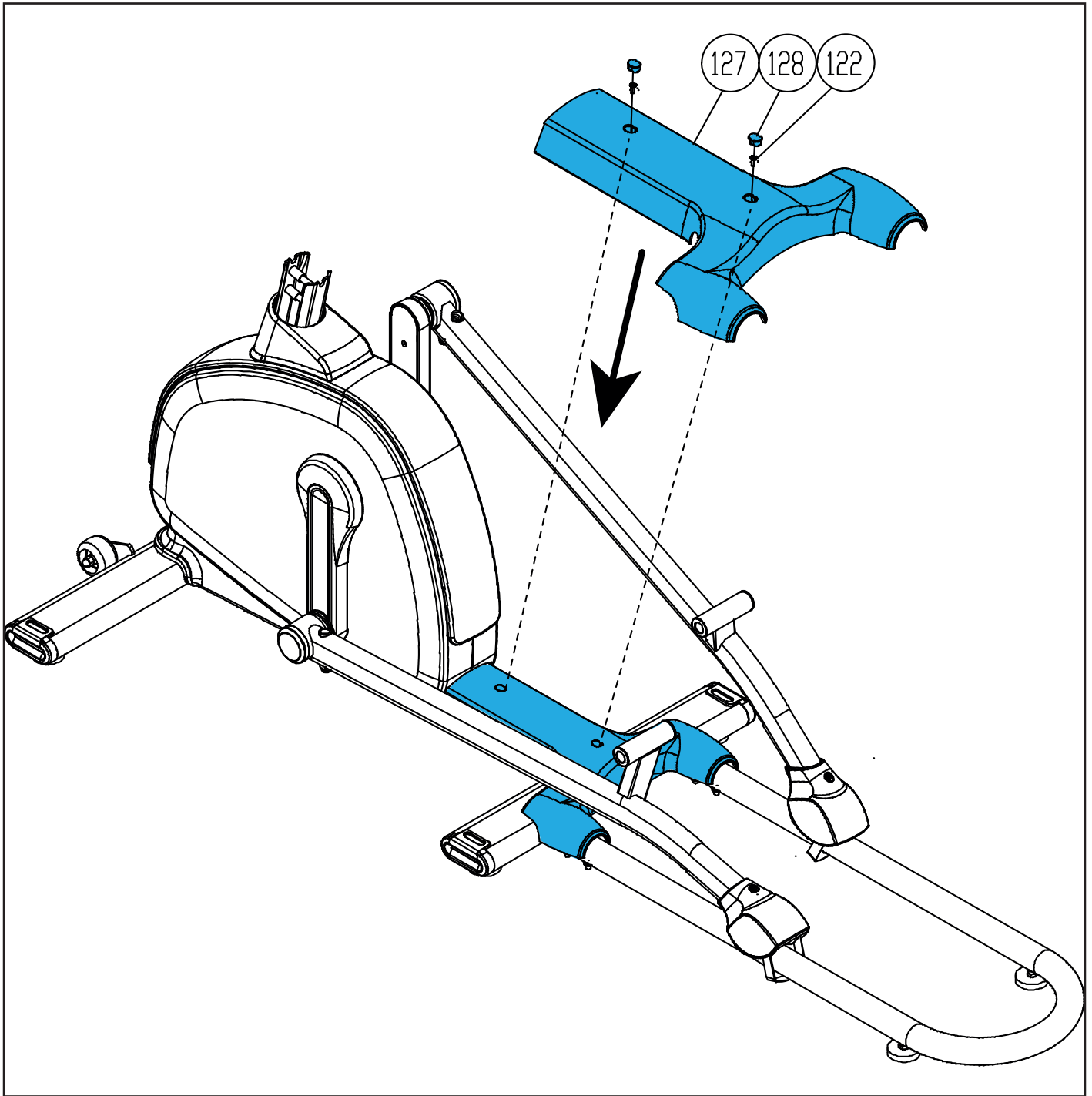
# D-4



**Preassembled**  
 Vormontiert  
 Pré assemblé  
 Voorgemonteerd  
 Pre-assemblato  
 Pre ensamblado  
 Förmonterad  
 Esikoottu

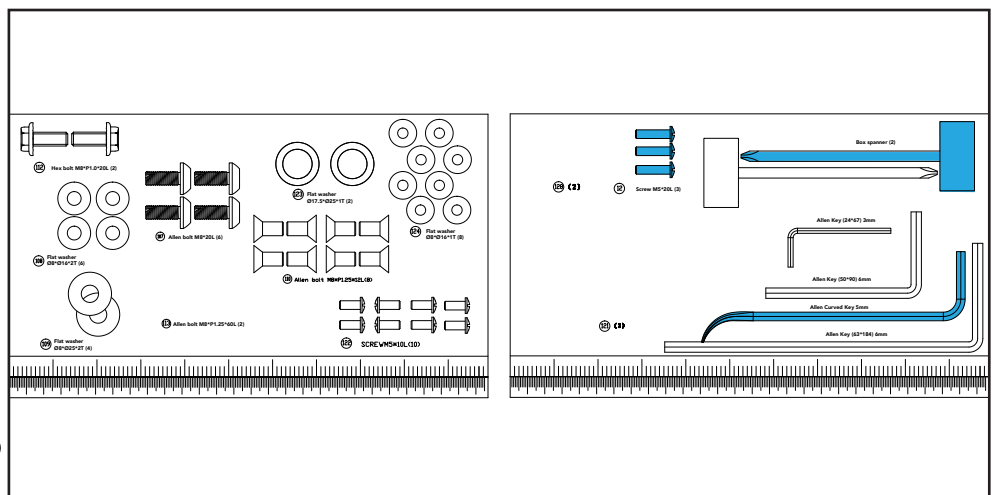
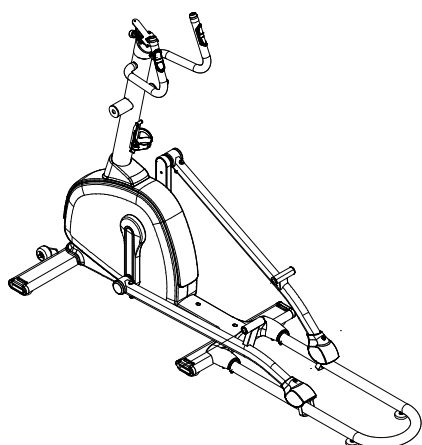
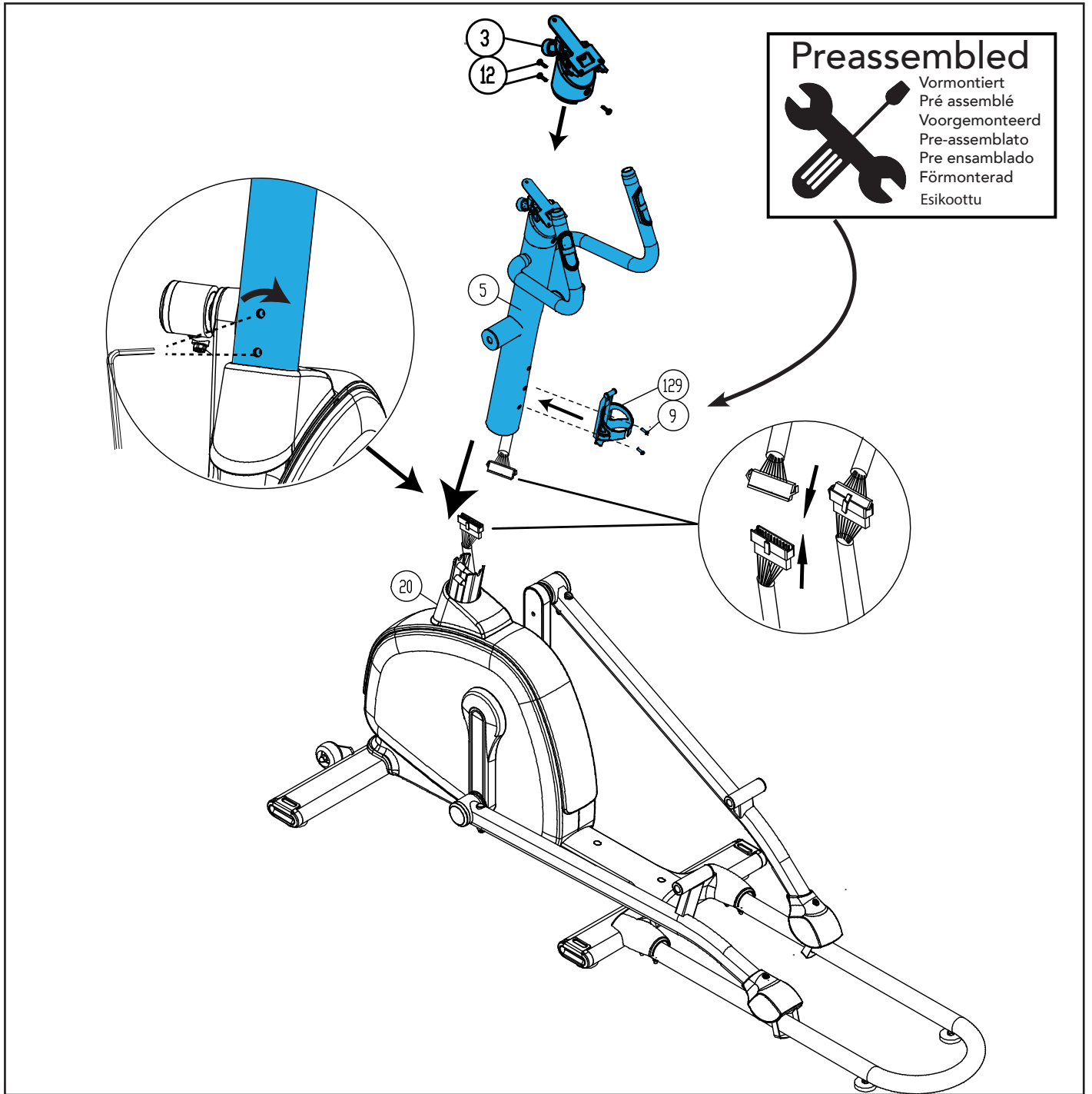


# D-5

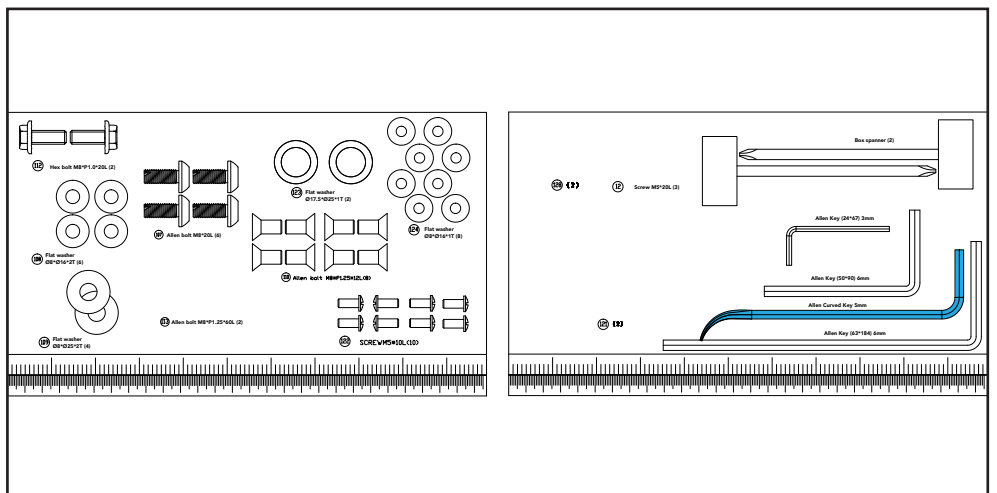
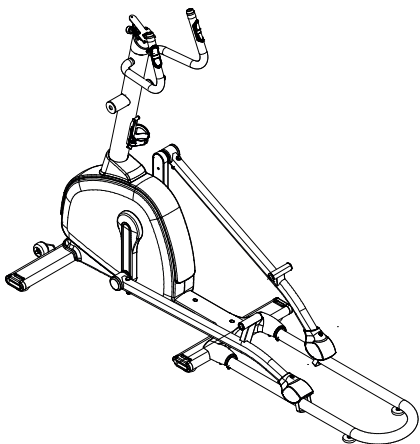
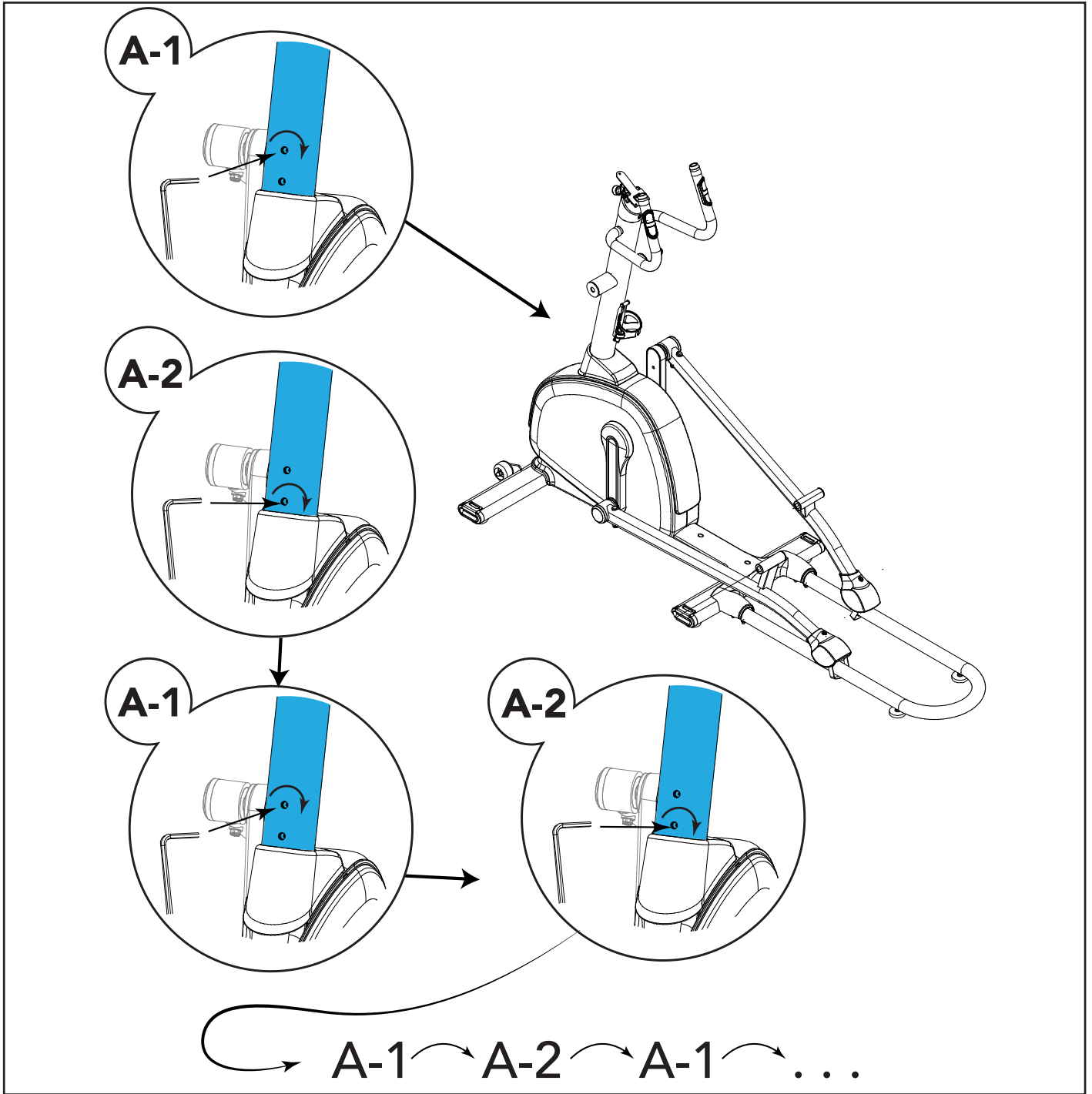


|                                  |                                    |                                  |                                  |                              |
|----------------------------------|------------------------------------|----------------------------------|----------------------------------|------------------------------|
| <p>Hex bolt M8xP1.5-20L (2)</p>  | <p>Allen bolt M8xP1.5 (4)</p>      | <p>Flat washer 20x24x1.5 (2)</p> | <p>Flat washer 20x24x1.5 (2)</p> | <p>Allen Key (24x27) 2mm</p> |
| <p>Flat washer 20x24x1.5 (2)</p> | <p>Allen bolt M8xP1.5-145L (2)</p> | <p>Allen Key (22x25) 3mm</p>     | <p>Allen Key (22x25) 3mm</p>     | <p>Allen Key (22x25) 3mm</p> |
| <p>Flat washer 20x24x1.5 (2)</p> | <p>SCREW M5x12L (10)</p>           | <p>Allen Key (22x25) 3mm</p>     | <p>Allen Key (22x25) 3mm</p>     | <p>Allen Key (22x25) 3mm</p> |

# D-6



# D-7

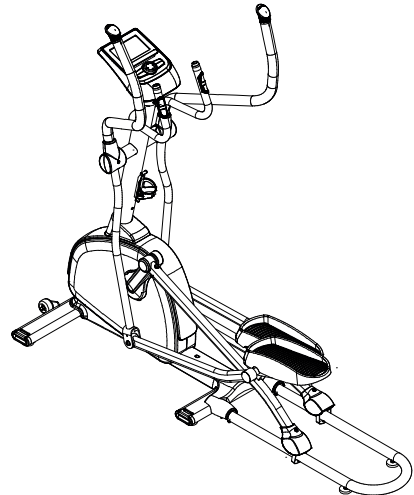
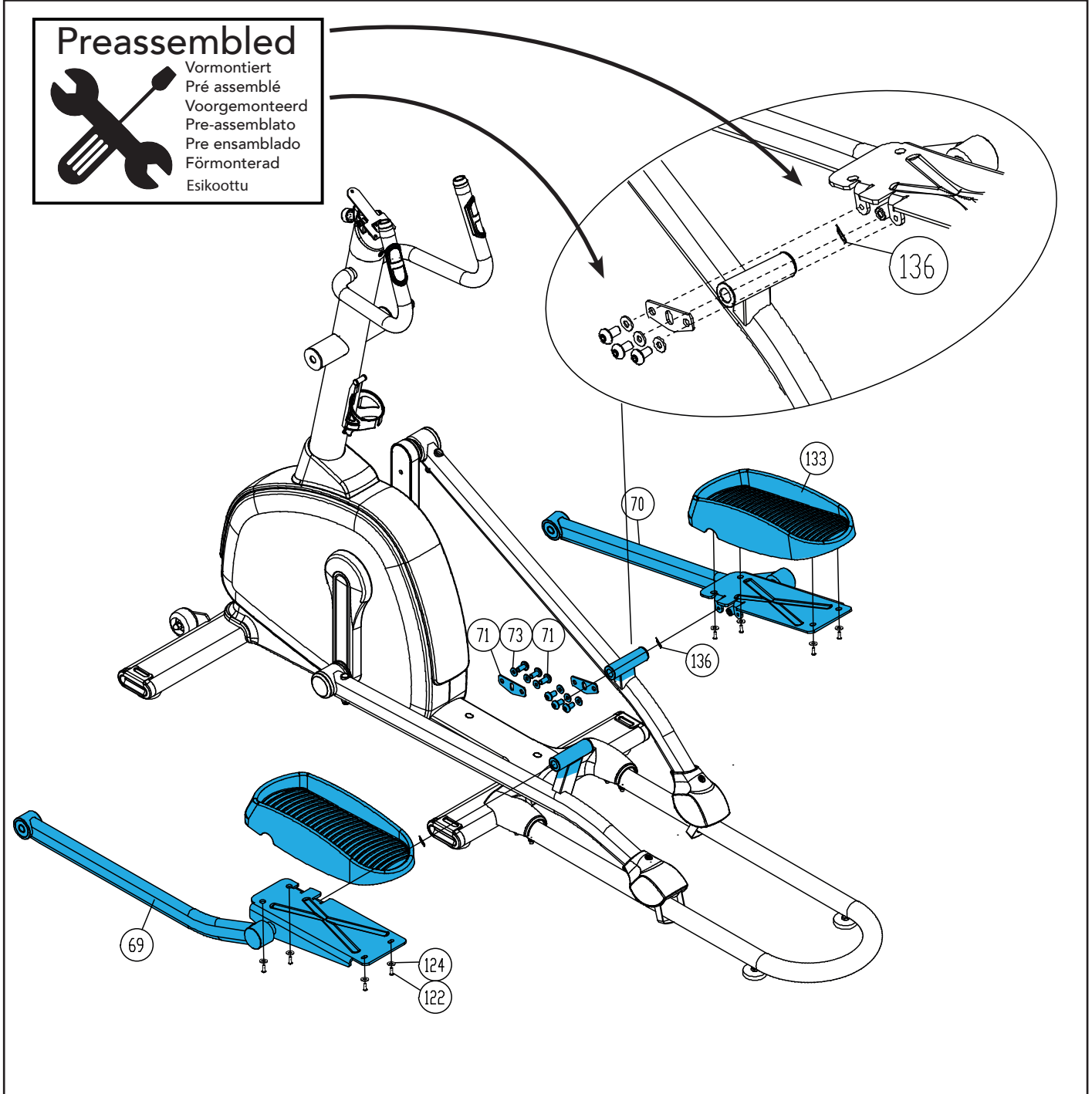


# D-8

## Preassembled

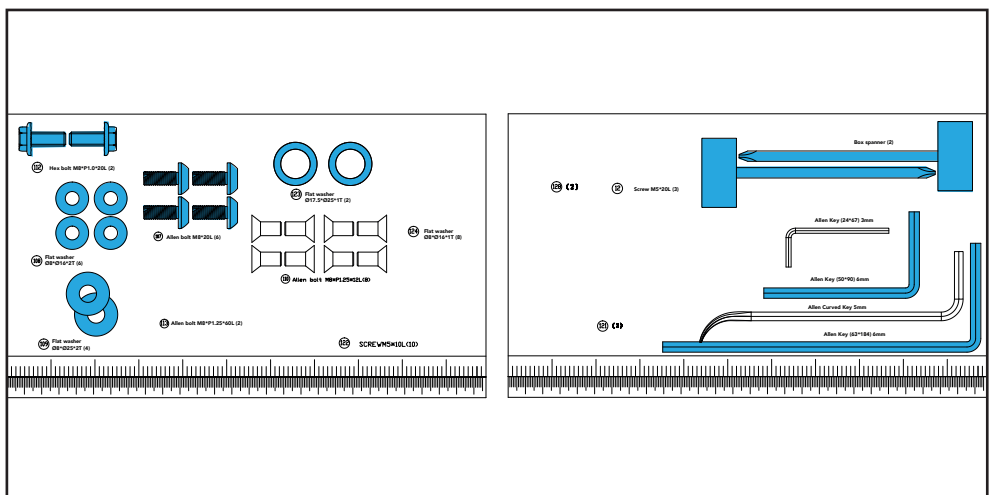
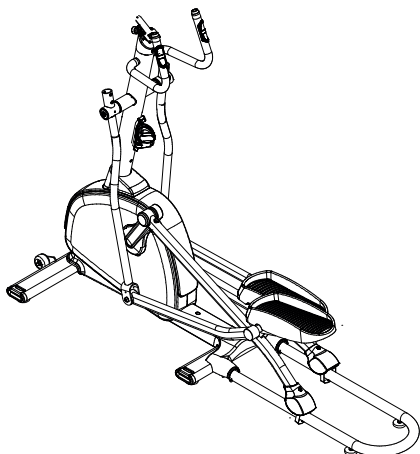
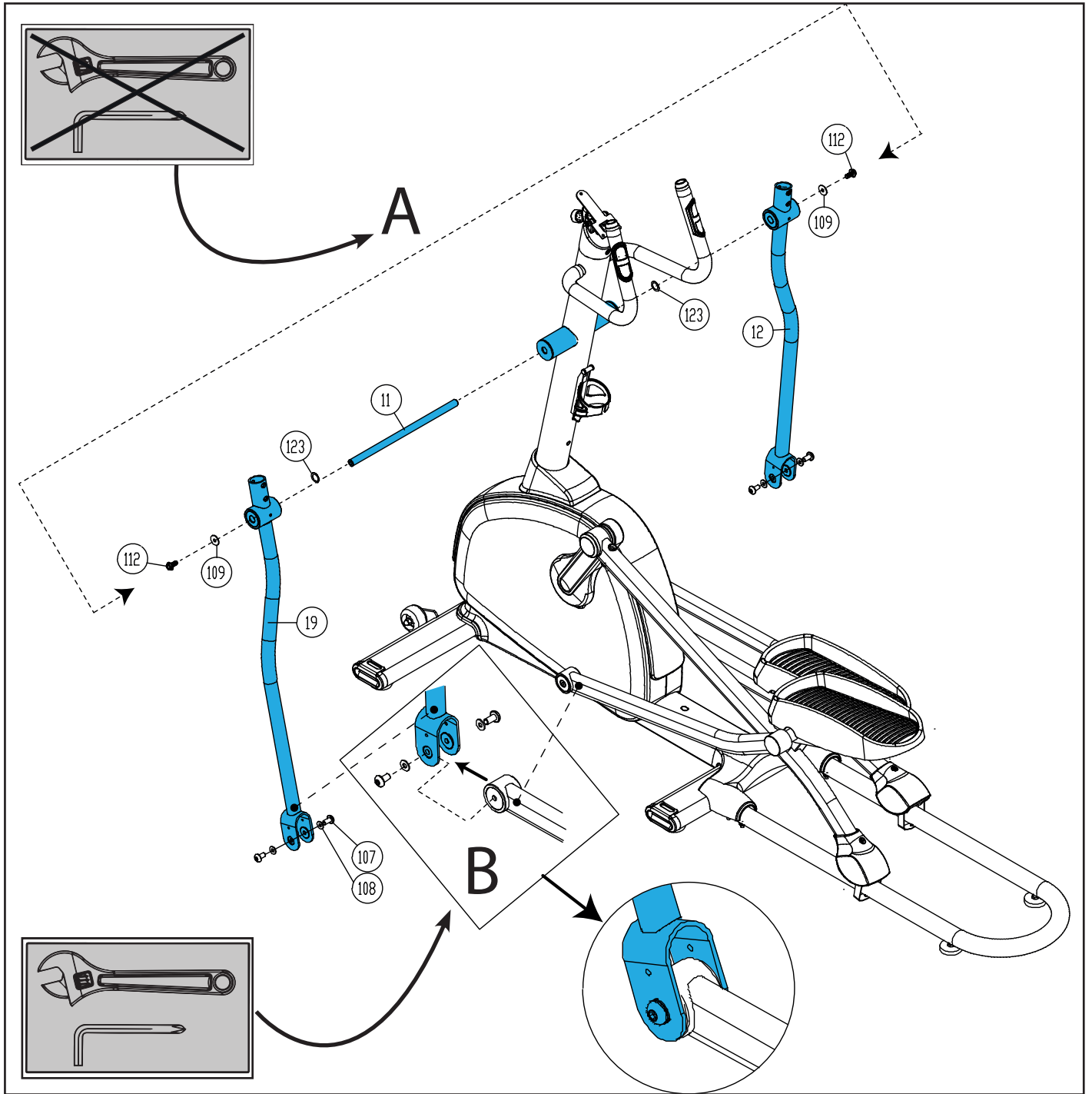


Vormontiert  
 Pré assemblé  
 Voorgemonteerd  
 Pre-assemblato  
 Pre ensamblado  
 Förmonterad  
 Esikoottu



|                           |                             |                                   |                                   |                                |                                   |                                |                        |                       |                            |                            |                             |                            |
|---------------------------|-----------------------------|-----------------------------------|-----------------------------------|--------------------------------|-----------------------------------|--------------------------------|------------------------|-----------------------|----------------------------|----------------------------|-----------------------------|----------------------------|
| <p>Hex bolt M8x11 (2)</p> | <p>Allen bolt M8x20 (5)</p> | <p>Flat washer 011x020x11 (2)</p> | <p>Flat washer 021x014x11 (5)</p> | <p>Allen bolt M8x12x05 (2)</p> | <p>Flat washer 021x020x11 (4)</p> | <p>Allen bolt M8x12x05 (2)</p> | <p>Screw M8x20 (2)</p> | <p>Hex spacer (2)</p> | <p>Allen Key 04x20 5mm</p> | <p>Allen Key 02x10 6mm</p> | <p>Allen Curved Key 5mm</p> | <p>Allen Key 02x18 6mm</p> |
|---------------------------|-----------------------------|-----------------------------------|-----------------------------------|--------------------------------|-----------------------------------|--------------------------------|------------------------|-----------------------|----------------------------|----------------------------|-----------------------------|----------------------------|

# D-9

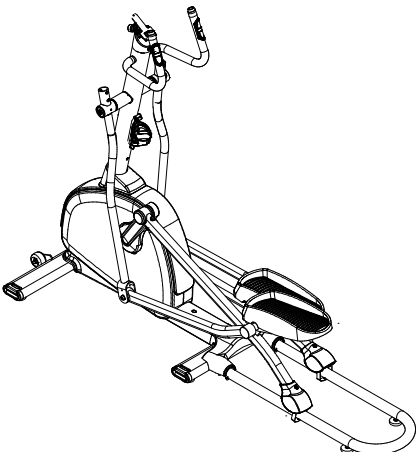
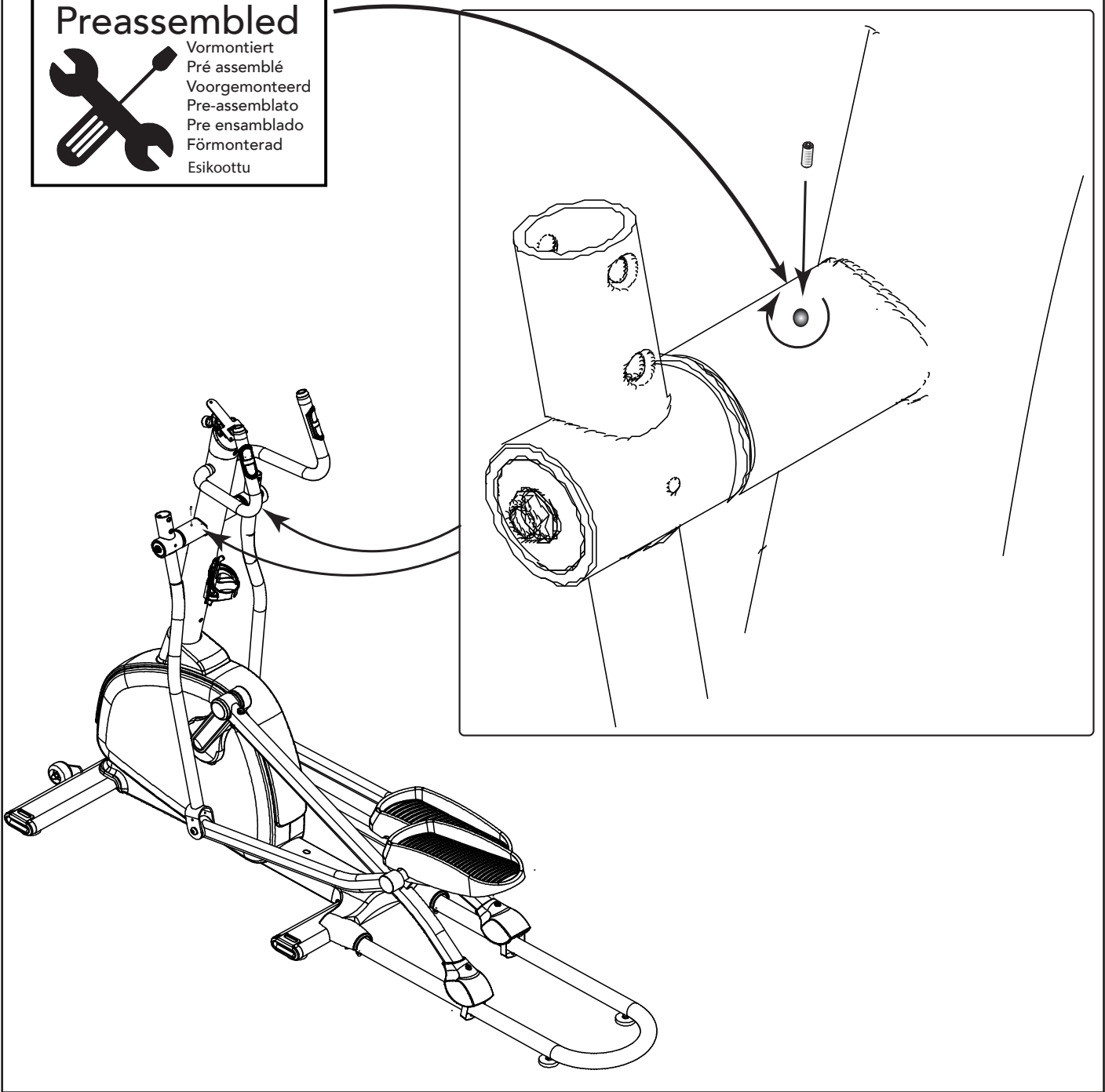


# D-10

## Preassembled

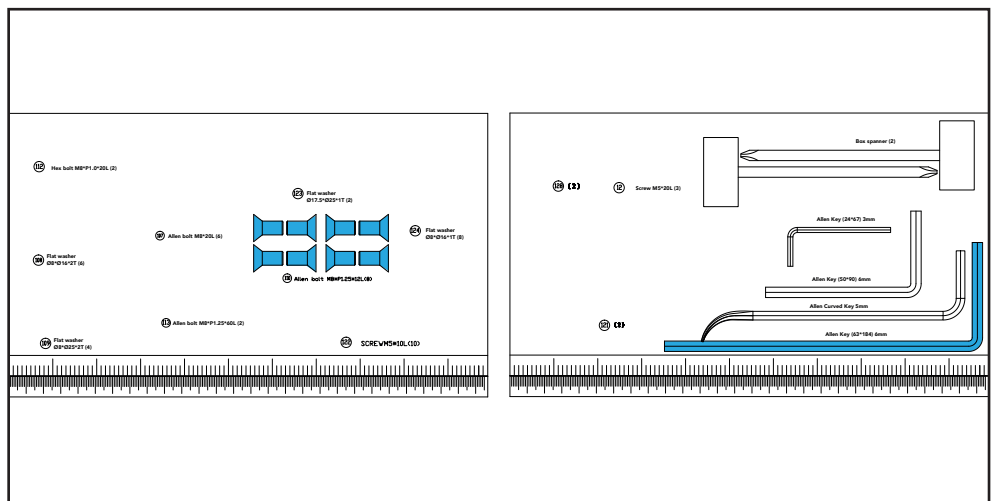
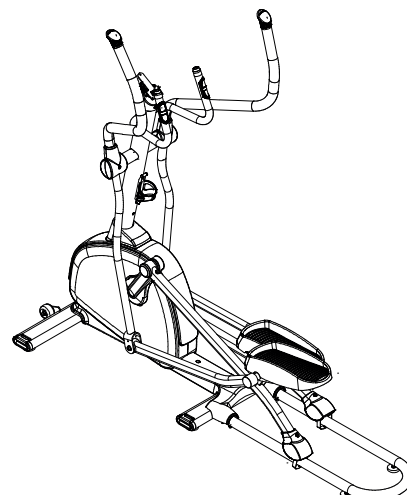
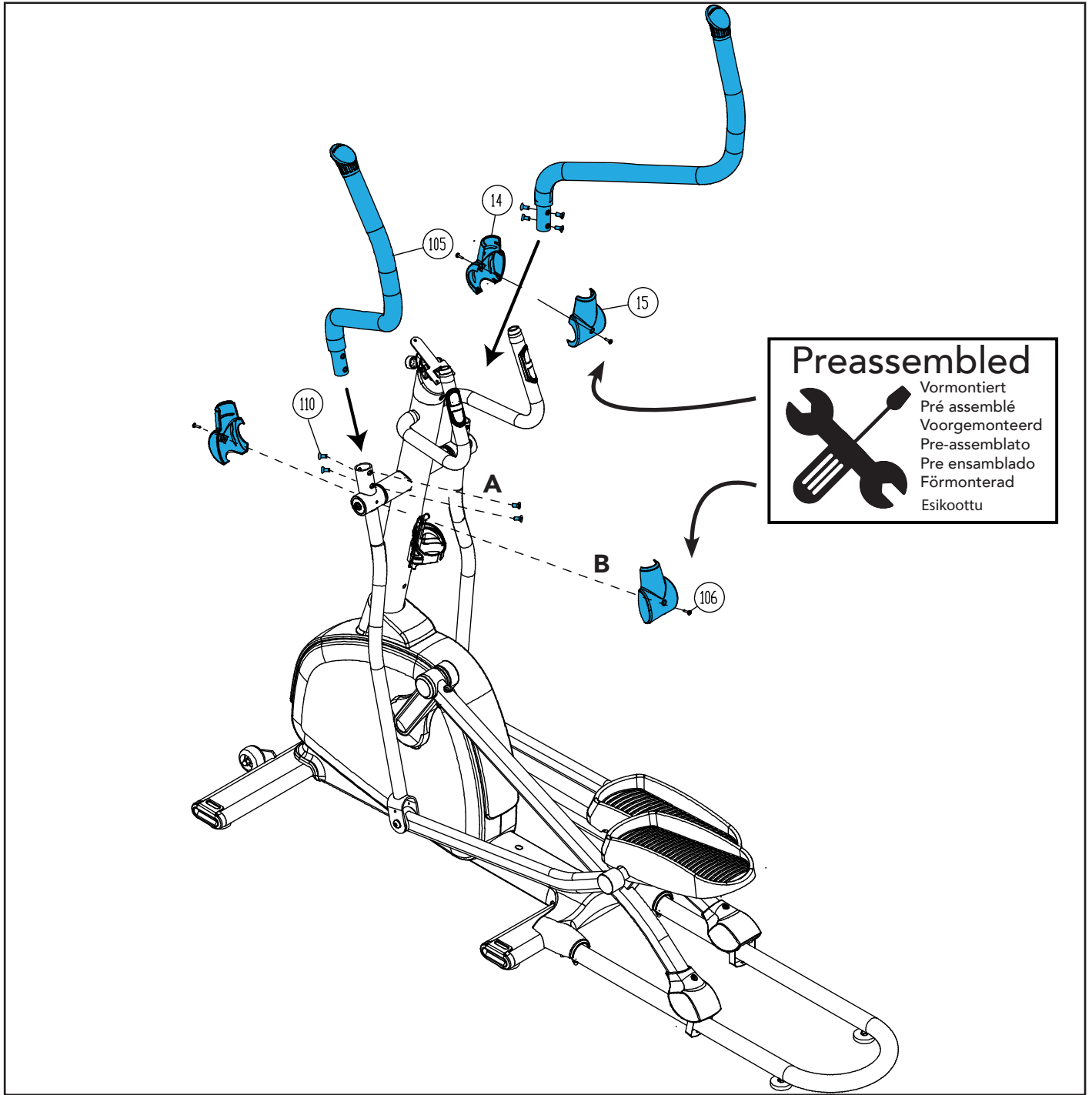


Vormontiert  
 Pré assemblé  
 Voorgemonteerd  
 Pre-assemblato  
 Pre ensamblado  
 Förmonterad  
 Esikoottu



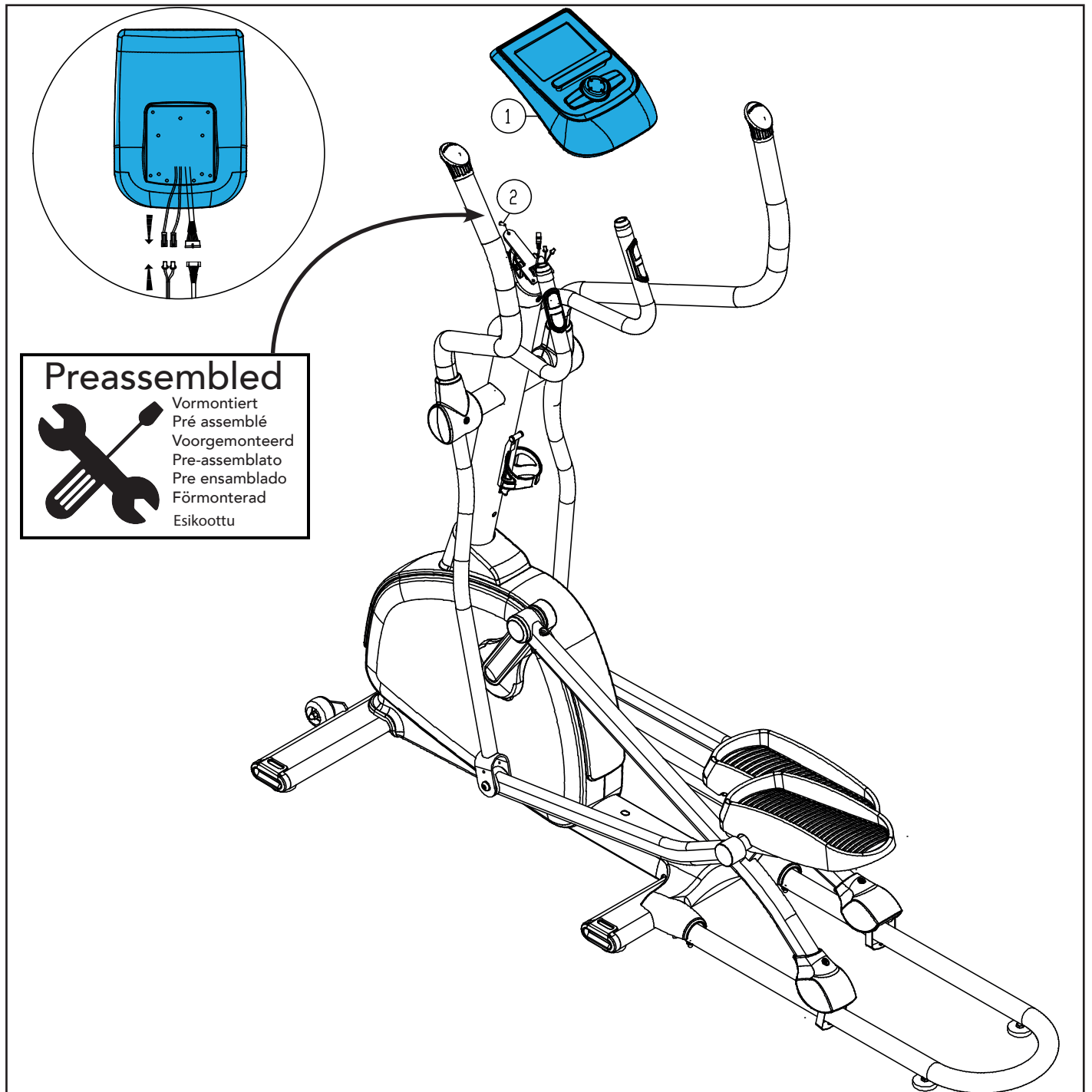
|   |   |   |
|---|---|---|
| <p>① Hex bolt M8*1.2*20L (2)</p> <p>② Flat washer 24*21*1.2 (2)</p> <p>③ Allen bolt M8*20L (2)</p> <p>④ Flat washer 24*21*1.2 (2)</p> <p>⑤ Allen bolt M8*1.2*10L (2)</p> <p>⑥ Flat washer 24*21*1.2 (2)</p> | <p>⑦ Flat washer 24*21*1.2 (2)</p> <p>⑧ Allen bolt M8*1.2*10L (2)</p> <p>⑨ Allen bolt M8*1.2*10L (2)</p> <p>⑩ Allen Key 24*21*1.2 (2)</p> <p>⑪ Allen Key 24*21*1.2 (2)</p> <p>⑫ Allen Key 24*21*1.2 (2)</p> <p>⑬ Allen Key 24*21*1.2 (2)</p> <p>⑭ Allen Key 24*21*1.2 (2)</p> <p>⑮ Allen Key 24*21*1.2 (2)</p> <p>⑯ Allen Key 24*21*1.2 (2)</p> <p>⑰ Allen Key 24*21*1.2 (2)</p> <p>⑱ Allen Key 24*21*1.2 (2)</p> <p>⑲ Allen Key 24*21*1.2 (2)</p> <p>⑳ Allen Key 24*21*1.2 (2)</p> <p>㉑ Allen Key 24*21*1.2 (2)</p> <p>㉒ Allen Key 24*21*1.2 (2)</p> <p>㉓ Allen Key 24*21*1.2 (2)</p> <p>㉔ Allen Key 24*21*1.2 (2)</p> <p>㉕ Allen Key 24*21*1.2 (2)</p> <p>㉖ Allen Key 24*21*1.2 (2)</p> <p>㉗ Allen Key 24*21*1.2 (2)</p> <p>㉘ Allen Key 24*21*1.2 (2)</p> <p>㉙ Allen Key 24*21*1.2 (2)</p> <p>㉚ Allen Key 24*21*1.2 (2)</p> <p>㉛ Allen Key 24*21*1.2 (2)</p> <p>㉜ Allen Key 24*21*1.2 (2)</p> <p>㉝ Allen Key 24*21*1.2 (2)</p> <p>㉞ Allen Key 24*21*1.2 (2)</p> <p>㉟ Allen Key 24*21*1.2 (2)</p> <p>㊱ Allen Key 24*21*1.2 (2)</p> <p>㊲ Allen Key 24*21*1.2 (2)</p> <p>㊳ Allen Key 24*21*1.2 (2)</p> <p>㊴ Allen Key 24*21*1.2 (2)</p> <p>㊵ Allen Key 24*21*1.2 (2)</p> <p>㊶ Allen Key 24*21*1.2 (2)</p> <p>㊷ Allen Key 24*21*1.2 (2)</p> <p>㊸ Allen Key 24*21*1.2 (2)</p> <p>㊹ Allen Key 24*21*1.2 (2)</p> <p>㊺ Allen Key 24*21*1.2 (2)</p> <p>㊻ Allen Key 24*21*1.2 (2)</p> <p>㊼ Allen Key 24*21*1.2 (2)</p> <p>㊽ Allen Key 24*21*1.2 (2)</p> <p>㊾ Allen Key 24*21*1.2 (2)</p> <p>㊿ Allen Key 24*21*1.2 (2)</p> | <p>① Hex bolt M8*1.2*20L (2)</p> <p>② Flat washer 24*21*1.2 (2)</p> <p>③ Allen bolt M8*20L (2)</p> <p>④ Flat washer 24*21*1.2 (2)</p> <p>⑤ Allen bolt M8*1.2*10L (2)</p> <p>⑥ Flat washer 24*21*1.2 (2)</p> <p>⑦ Allen Key 24*21*1.2 (2)</p> <p>⑧ Allen Key 24*21*1.2 (2)</p> <p>⑨ Allen Key 24*21*1.2 (2)</p> <p>⑩ Allen Key 24*21*1.2 (2)</p> <p>⑪ Allen Key 24*21*1.2 (2)</p> <p>⑫ Allen Key 24*21*1.2 (2)</p> <p>⑬ Allen Key 24*21*1.2 (2)</p> <p>⑭ Allen Key 24*21*1.2 (2)</p> <p>⑮ Allen Key 24*21*1.2 (2)</p> <p>⑯ Allen Key 24*21*1.2 (2)</p> <p>⑰ Allen Key 24*21*1.2 (2)</p> <p>⑱ Allen Key 24*21*1.2 (2)</p> <p>⑲ Allen Key 24*21*1.2 (2)</p> <p>⑳ Allen Key 24*21*1.2 (2)</p> <p>㉑ Allen Key 24*21*1.2 (2)</p> <p>㉒ Allen Key 24*21*1.2 (2)</p> <p>㉓ Allen Key 24*21*1.2 (2)</p> <p>㉔ Allen Key 24*21*1.2 (2)</p> <p>㉕ Allen Key 24*21*1.2 (2)</p> <p>㉖ Allen Key 24*21*1.2 (2)</p> <p>㉗ Allen Key 24*21*1.2 (2)</p> <p>㉘ Allen Key 24*21*1.2 (2)</p> <p>㉙ Allen Key 24*21*1.2 (2)</p> <p>㉚ Allen Key 24*21*1.2 (2)</p> <p>㉛ Allen Key 24*21*1.2 (2)</p> <p>㉜ Allen Key 24*21*1.2 (2)</p> <p>㉝ Allen Key 24*21*1.2 (2)</p> <p>㉞ Allen Key 24*21*1.2 (2)</p> <p>㉟ Allen Key 24*21*1.2 (2)</p> <p>㊱ Allen Key 24*21*1.2 (2)</p> <p>㊲ Allen Key 24*21*1.2 (2)</p> <p>㊳ Allen Key 24*21*1.2 (2)</p> <p>㊴ Allen Key 24*21*1.2 (2)</p> <p>㊵ Allen Key 24*21*1.2 (2)</p> <p>㊶ Allen Key 24*21*1.2 (2)</p> <p>㊷ Allen Key 24*21*1.2 (2)</p> <p>㊸ Allen Key 24*21*1.2 (2)</p> <p>㊹ Allen Key 24*21*1.2 (2)</p> <p>㊺ Allen Key 24*21*1.2 (2)</p> <p>㊻ Allen Key 24*21*1.2 (2)</p> <p>㊼ Allen Key 24*21*1.2 (2)</p> <p>㊽ Allen Key 24*21*1.2 (2)</p> <p>㊾ Allen Key 24*21*1.2 (2)</p> <p>㊿ Allen Key 24*21*1.2 (2)</p> |
|---|---|---|

# D-11

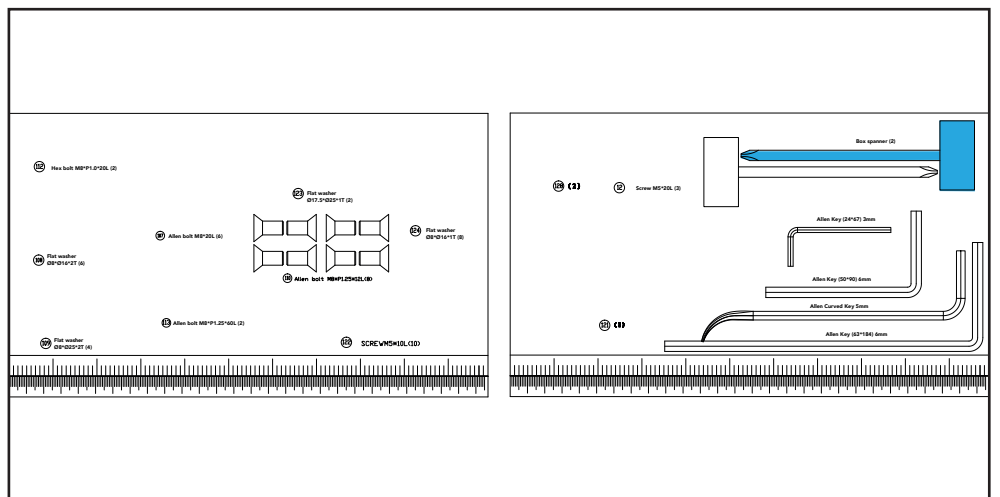
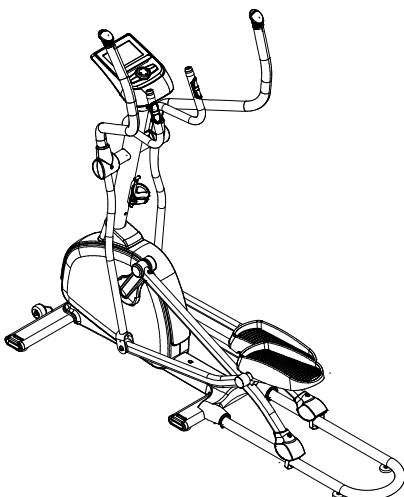




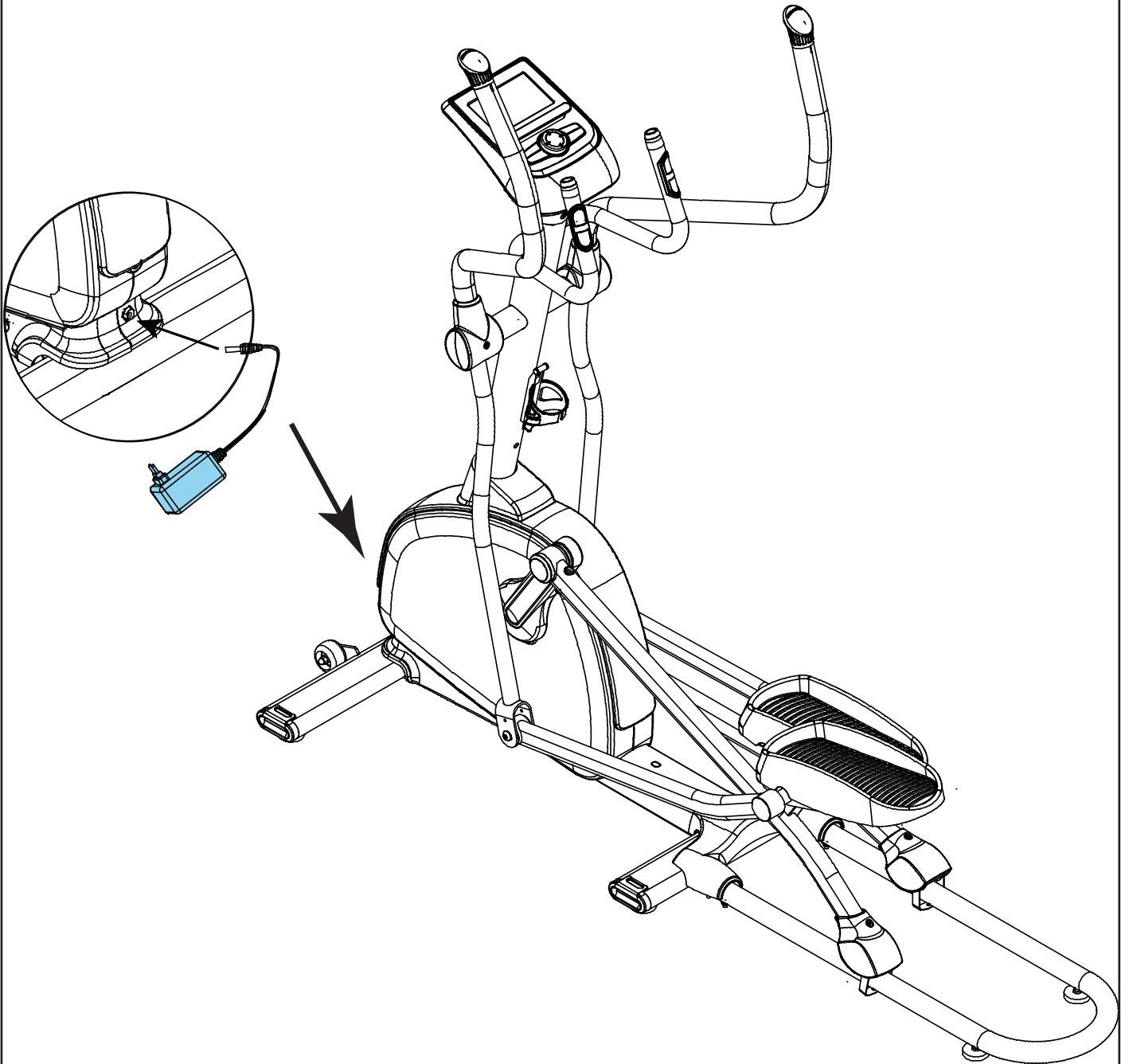
# D-12



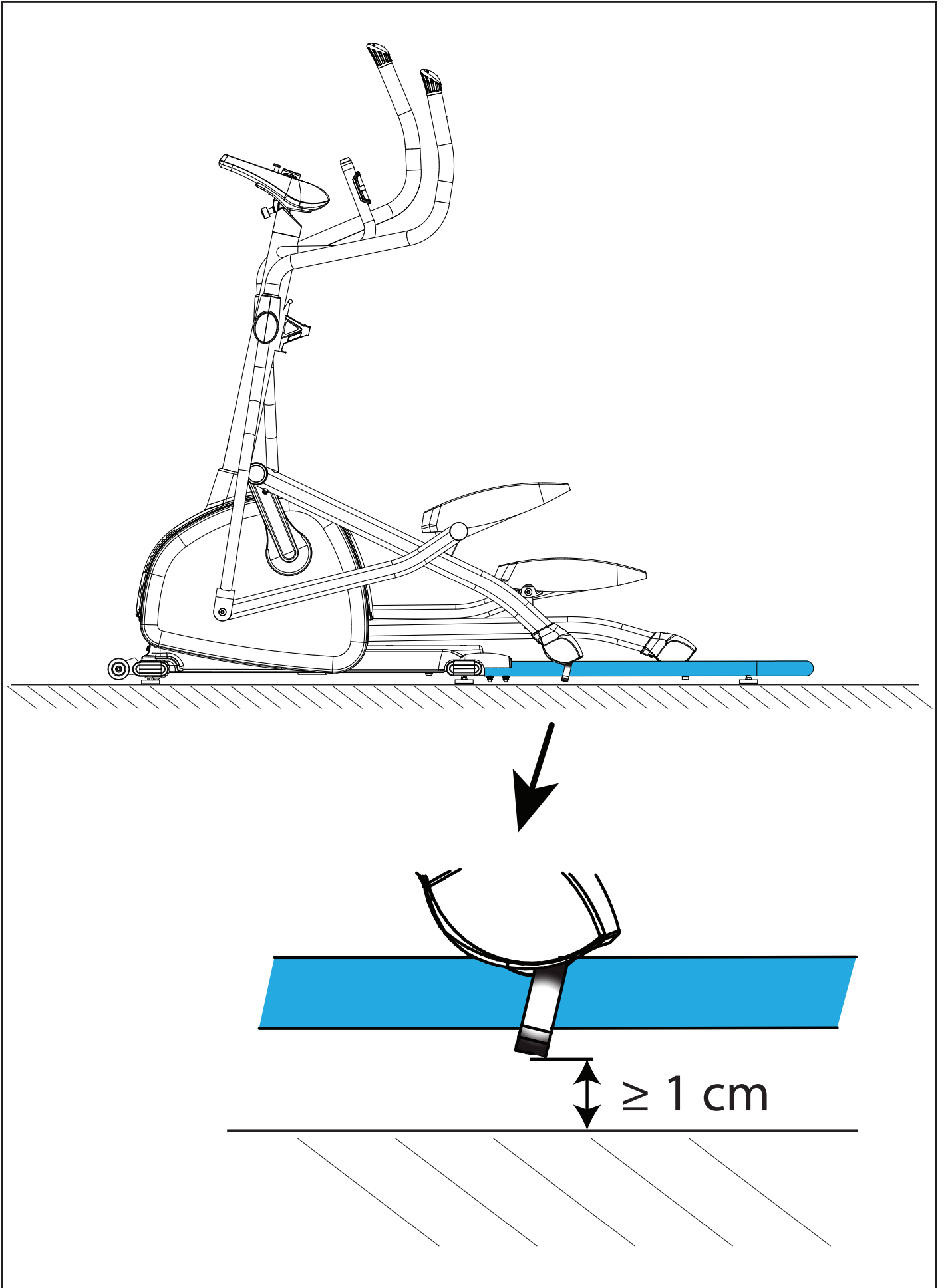
**Preassembled**  
 Vormontiert  
 Pré assemblé  
 Voorgemonteerd  
 Pre-assemblato  
 Pre ensamblado  
 Förmonterad  
 Esikoottu



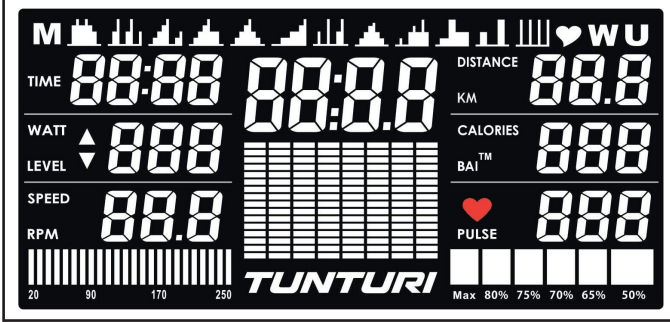
# E-1



## E-2



F-01



F-06



F-02



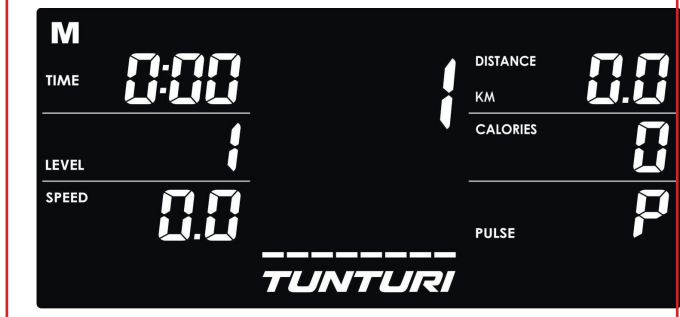
F-07



F-03



F-08



F-04



F-09



F-05



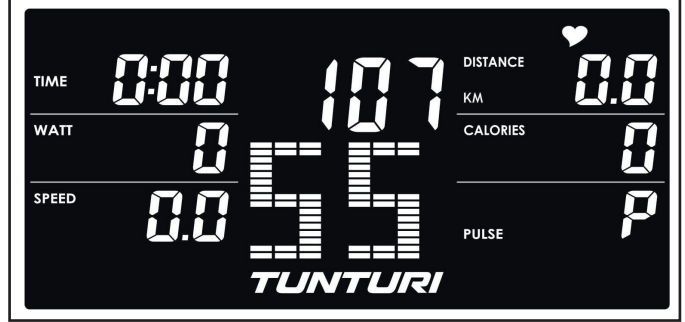
F-10



F-11



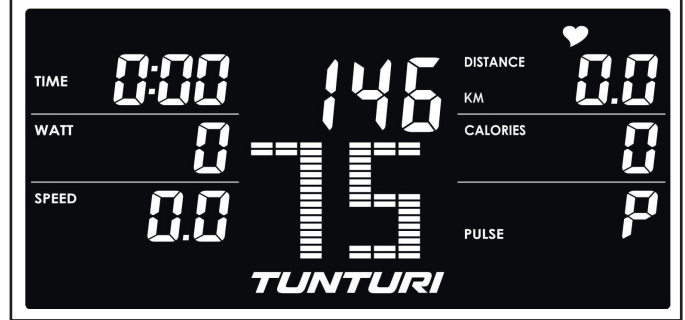
F-16



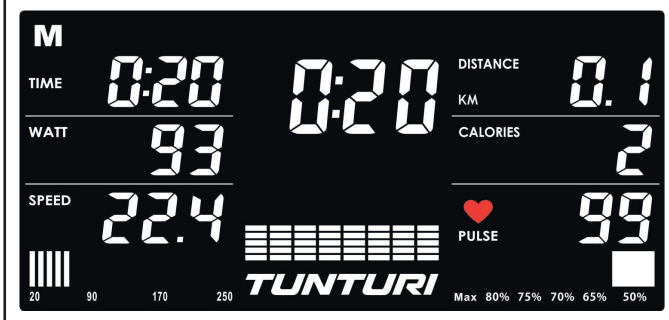
F-12



F-017



F-13



F-18



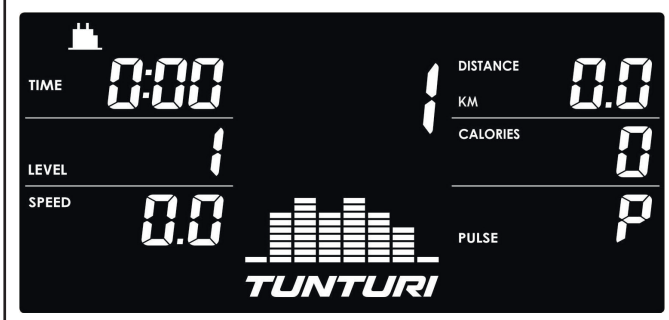
F-14



F-19



F-15



F-20



F-21



F-25



F-22



F-23



F-24



F-25



# Index

|  |           |
|--|-----------|
| <b>Crosstrainer</b> .....                    | <b>23</b> |
| <b>Safety warnings</b> .....                 | <b>23</b> |
| Electrical safety .....                      | 23        |
| <b>Assembly instructions</b> .....           | <b>24</b> |
| Description (fig. A) .....                   | 24        |
| Package contents (fig. B & C) .....          | 24        |
| Assembly (fig. D) .....                      | 24        |
| <b>Fasten Nuts and Bolts</b> .....           | <b>24</b> |
| <b>Workouts</b> .....                        | <b>24</b> |
| Exercise Instructions .....                  | 24        |
| Heart rate .....                             | 25        |
| <b>Use</b> .....                             | <b>25</b> |
| Power supply (Fig. E-1) .....                | 26        |
| <b>Console (fig F)</b> .....                 | <b>26</b> |
| Explanation Display functions .....          | 26        |
| Explanation of buttons .....                 | 27        |
| Operation .....                              | 27        |
| Programs .....                               | 27        |
| Recovery .....                               | 28        |
| Bluetooth & APP .....                        | 28        |
| <b>Cleaning and maintenance</b> .....        | <b>28</b> |
| Defects and malfunctions .....               | 29        |
| <b>Transport and storage</b> .....           | <b>29</b> |
| Additional information .....                 | 29        |
| <b>Technical data</b> .....                  | <b>29</b> |
| <b>Warranty</b> .....                        | <b>29</b> |
| <b>Declaration of the manufacturer</b> ..... | <b>30</b> |
| <b>Disclaimer</b> .....                      | <b>30</b> |

- The equipment is suitable for domestic use only. The equipment is not suitable for commercial use.
- Max. usage is limited to 3 hrs a day.
- The use of this equipment by children or persons with a physical, sensory, mental or motorial disability, or lack of experience and knowledge can give cause to hazards. Persons responsible for their safety must give explicit instructions or supervise the use of the equipment.
- Before starting your workout, consult a physician to check your health.
- If you experience nausea, dizziness or other abnormal symptoms, immediately stop your workout and consult a physician.
- To avoid muscular pain and strain, start each workout by warming up and finish each workout by cooling down. Remember to stretch at the end of the workout.
- The equipment is suitable for indoor use only. The equipment is not suitable for outdoor use.
- Only use the equipment in environments with adequate ventilation. Do not use the equipment in draughty environments in order not to catch a cold.
- Only use the equipment in environments with ambient temperatures between 10°C~35°C/ 50°F~95°F. Only store the equipment in environments with ambient temperatures between 5°C~45°C/ 41°F~113°F.
- Do not use or store the equipment in humid surroundings. The air humidity must never be more than 80%.
- Only use the equipment for its intended purpose. Do not use the equipment for other purposes than described in the manual.
- Do not use the equipment if any part is damaged or defective. If a part is damaged or defective, contact your dealer.
- Keep your hands, feet and other body parts away from the moving parts.
- Keep your hair away from the moving parts.
- Wear appropriate clothing and shoes.
- Keep clothing, jewelry and other objects away from the moving parts.
- Make sure that only one person uses the equipment at a time. The equipment must not be used by persons weighing more than 120 kg (264 lbs).
- Do not open equipment without consulting your dealer.

## Crosstrainer

Welcome to the world of Tunturi New Fitness!

Thank you for purchasing this piece of Tunturi equipment. Tunturi offers a wide range of home fitness equipment, including crosstrainers, treadmills, exercise bikes and rowers. The Tunturi equipment is suitable for the entire family, no matter what fitness level. For more information, please visit our website [www.tunturi.com](http://www.tunturi.com)

## Safety warnings

### ⚠ WARNING

- Read the safety warnings and the instructions. Failure to follow the safety warnings and the instructions can cause personal injury or damage to the equipment. Keep the safety warnings and the instructions for future reference.

### ⚠ WARNING

- Heart rate monitoring systems may be inaccurate.
- Over exercise may result in serious injury or death. If you feel faint stop exercising immediately.

## Electrical safety

(Only for equipment with electric power)

- Before use, always check that the mains voltage is the same as the voltage on the rating plate of the equipment.
- Do not use an extension cable.
- Keep the mains cable away from heat, oil and sharp edges.
- Do not alter or modify the mains cable or the mains plug.
- Do not use the equipment if the mains cable or the mains plug is damaged or defective. If the mains cable or the mains plug is damaged or defective, contact your dealer.
- Always fully unwind the mains cable.
- Do not run the mains cable underneath the equipment. Do not run the mains cable underneath a carpet. Do not place any objects on the mains cable.
- Make sure that the mains cable does not hang over the edge of a table.
- Make sure that the mains cable cannot be caught accidentally or tripped over.
- Do not leave the equipment unattended when the mains plug is inserted into the wall socket.
- Do not pull the mains cable to remove the mains plug from the wall socket.

- Remove the mains plug from the wall socket when the equipment is not in use, before assembly or disassembly and before cleaning and maintenance.

## Assembly instructions

### Description (fig. A)

Your Crosstrainer is a piece of stationary fitness equipment used to simulate cycling without causing excessive pressure to the joints.

### Package contents (fig. B & C)

- The package contains the parts as shown in fig. B.
- The package contains the fasteners as shown in fig. C. Refer to the section "Description"

#### NOTE

- If a part is missing, contact your dealer.

### Assembly (fig. D)

#### WARNING

- Assemble the equipment in the given order.
- Carry and move the equipment with at least two persons.

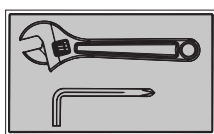
#### CAUTION

- Place the equipment on a firm, level surface.
- Place the equipment on a protective base to prevent damage to the floor surface.
- Allow at least 100 cm of clearance around the equipment.
- Refer to the illustrations for the correct assembly of the equipment.

#### NOTE

- Save the tools provided with this product, after you completed the product assembly, for future service purposes.

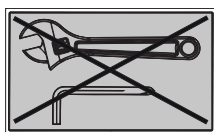
### Fasten Nuts and Bolts



Securely tighten all Nuts and Bolts after all components have been assembled in current and previous steps.

#### NOTE

- Do not over tighten any component with pivoting function.
- Make sure all pivoting components are able to move freely.



Do not tighten all Nuts and Bolts in this step.

## Workouts

The workout must be suitably light, but of long duration. Aerobic exercise is based on improving the body's maximum oxygen uptake, which in turn improves endurance and fitness. You should perspire, but you should not get out of breath during the workout.

To reach and maintain a basic fitness level, exercise at least three times a week, 30 minutes at a time. Increase the number of exercise sessions to improve your fitness level.

It is worthwhile to combine regular exercise with a healthy diet. A person committed to dieting should exercise daily, at first 30 minutes or less at a time, gradually increasing the daily workout time to one hour. Start your workout at low speed and low resistance to prevent the cardiovascular system from being subjected to excessive strain. As the fitness level improves, speed and resistance can be increased gradually. The efficiency of your exercise can be measured by monitoring your heart rate and your pulse rate.

### Exercise Instructions

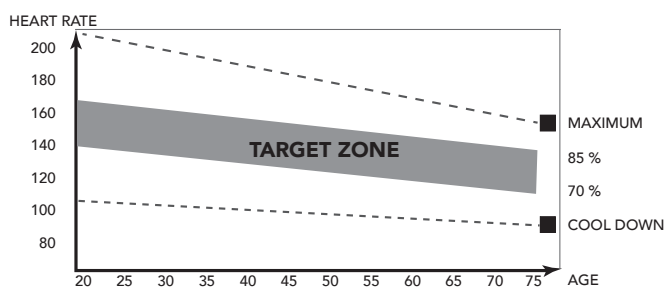
Using your fitness trainer will provide you with several benefits, it will improve your physical fitness, tone muscle and in conjunction with a calorie controlled diet help you lose weight.

#### The warming up phase

This stage helps get the blood flowing around the body and the muscles working properly. It will also reduce the risk of cramp and muscle injury. It is advisable to do a few stretching exercises as shown below. Each stretch should be held for approximately 30 seconds, do not force or jerk your muscles into a stretch - if it hurts, STOP

#### The exercise phase

This is the stage where you put the effort in. After regular use, the muscles in your legs will become more flexible. Work to your but it is very important to maintain a steady tempo throughout. The rate of work should be sufficient to raise your heart beat into the target zone shown on the graph below.



This stage should last for a minimum of 12 minutes though most people start at about 15-20 minutes

#### The cool down phase

This stage is to let your Cardiovascular System and muscles wind down. This is a repeat of the warm up exercise e.g. reduce your tempo, continue for approximately 5 minutes. The stretching exercises should now be repeated, again remembering not to force or jerk your muscles into the stretch.

As you get fitter you may need to train longer and harder. It is advisable to train at least three times a week, and if possible space your workouts evenly throughout the week.

#### Muscle toning

To tone muscle while on your fitness trainer you will need to have the resistance set quite high. This will put more strain on our leg muscles



and may mean you cannot train for as long as you would like. If you are also trying to improve your fitness you need to alter your training program. You should train as normal during the warm up and cool down phases, but towards the end of the exercise phase you should increase resistance making your legs work harder. You will have to reduce your speed to keep your heart rate in the target zone.

### Weight loss

The important factor here is the amount of effort you put in. The harder and longer you work the more calories you will burn. Effectively this is the same as if you were training to improve your fitness, the difference is the goal.

## Heart rate

### Pulse rate measurement (hand pulse sensors)

The pulse rate is measured by sensors in the handlebars when the user is touching both sensors at the same time. Accurate pulse measurement requires that the skin is slightly moist and constantly touching the hand pulse sensors. If the skin is too dry or too moist, the pulse rate measurement will become less accurate.

#### NOTE

- Do not use the hand pulse sensors in combination with a heart rate chest belt.
- If you set a heart rate limit for your workout, an alarm will sound when it is exceeded.

### Heart rate measurement (heart rate chest belt)

#### NOTE

- A chest strap does not come standard with this trainer. When you like to use a wireless chest strap you need to purchase this as an accessory.

The most accurate heart rate measurement is achieved with a heart rate chest belt. The heart rate is measured by a heart rate receiver in combination with a heart rate transmitter belt. Accurate heart measurement requires that the electrodes on the transmitter belt are slight moist and constantly touching the skin. If the electrodes are too dry or too moist, the heart rate measurement will become less accurate.

#### WARNING

- If you have a pacemaker, consult a physician before using a heartrate chest belt.

#### CAUTION

- If there are several heart rate measurement devices next to each other, make sure that the distance between them is at least 1.5 metres.
- If there is only one heart rate receiver and several heart rate transmitters, make sure that only one person with a transmitter is within transmission range.

#### NOTE

- Do not use a heart rate chest belt in combination with the handpulse sensors.
- Always wear the heart rate chest belt under your clothes directly in contact with your skin. Do not wear the heart rate chest belt above your clothes. If you wear the heart rate chest belt above your clothes, there will be no signal.

- If you set a heart rate limit for your workout, an alarm will sound when it is exceeded.
- The transmitter transmits the heart rate to the console up to a distance of 1 metre. If the electrodes are not moist, the heart rate will not appear on the display.
- Some fibers in clothes (e.g. polyester, polyamide) create static electricity which can prevent accurate heart rate measurement.
- Mobile phones, televisions and other electrical appliances create an electromagnetic field which can prevent accurate heart rate measurement.

### Maximum heart rate (during training)

The maximum heart rate is the highest heart rate a person can safely achieve through exercise stress. The following formula is used to calculate the average maximum heart rate:  $220 - AGE$ . The maximum heart rate varies from person to person.

#### WARNING

- Make sure that you do not exceed your maximum heart rate during your workout. If you belong to a risk group, consult a physician.

### Beginner

#### 50-60% of maximum heart rate

Suitable for beginners, weight-watchers, convalescents and persons who have not exercised for a long time. Exercise at least three times a week, 30 minutes at a time.

### Advanced

#### 60-70% of maximum heart rate

Suitable for persons who want to improve and maintain fitness. Exercise at least three times a week, 30 minutes at a time.

### Expert

#### 70-80% of maximum heart rate

Suitable for the fittest of persons who are used to long-endurance workouts.

## Use

### Adjusting the support feet

The equipment is equipped with 6 support feet. If the equipment is not stable, the support feet can be adjusted.

- Turn the support feet as required to put the equipment in a stable position.
- Tighten the locknuts to lock the support feet.

#### NOTE

- The machine is the most stable when all support feet are turned fully in. Therefore start to level the machine by turning all support feet fully in, before turning out the required support feet to stable the machine.

#### WARNING

- To prevent damages on your floor, make sure "U shape holder" can't touch the floor when using the trainer. (fig. E-2) Gain height for the "U shape slider" by adjusting the "Adjusting cushion" if needed. ( See Assembly step D-1C-A)

## Adjusting the console

The console can be adjusted according to the height and the exercise position of the user.

- Loosen the console adjustment knob.
- Move the console to the required position.
- Tighten the console adjustment knob.

## Power supply (Fig. E-1)

The trainer is powered by an external power supply. Refer to the illustration to locate the trainer's power input.

### NOTE

- Connect the power supply with the trainer before connecting it to the wall outlet.
- Always remove power cord when machine is not in use.

## Console (fig F)



1. Display
2. Tablet/ book support
3. Buttons

### CAUTION

- Keep the console away from direct sunlight.
- Dry the surface of the console when it is covered with drops of sweat.
- Do not lean on the console.
- Only touch the display with the tip of your finger. Make sure that your nails or sharp objects do not touch the display.

### NOTE

- The console switches to standby mode when the equipment is not used for 4 minutes. If the console is in standby mode, the display shows the room temperature

## Explanation Display functions

### Time

- Without setting the target value, time will count up.
- When setting the target value, time will count down from your target time to 0 and alarm will sound or flash.
- Without any signal being transmitted into the monitor for 4 seconds during workout, time will STOP
- Range 0:00~99:59

### Speed

- Displays current training speed.
- Maximum speed is 99.9 KM/H or ML/H.
- Without any signal being transmitted into the monitor for 4 seconds during workout, SPEED will display "0.0"

### RPM

- Displays the Rotation Per Minute.
- Display range 0~15~999
- Without any signal being transmitted into the monitor for 4 seconds during workout, RPM will display "0"

### Watt

- Display current workout watts. Range 0 ~ 999

### Level

- Shows tension level setting, when adjusting resistance, for 3 seconds.

### Distance

- Without setting the target value, distance will count up.
- When setting the target value, distance will count down from your target distance to 0 with an alarm sound or flash.
- Range 0.00~99.99

### Calories

- Without setting the target value, calorie will count up.
- When setting the target value, calories will count down from your target calorie to 0 with an alarm sound or flash.
- Range 0~999.

### NOTE

- This data is a rough guide for comparison of different exercise sessions which cannot be used in medical treatment

### Pulse

- Current pulse will display after 6 seconds when detected by the console.
- Without any pulse signal for 6 seconds, console will display "P".
- Pulse alarm will sound when current pulse is over the target pulse.
- Range 0-30~230 BPM

### BAI™

- Display BAI consumption BAI value during workout.
- Display range 0~999

### NOTE

- BAI (Body Activity Index) is the sum up of effective training volume.
- Training volume = Training Intensity x Training time.

BAI calculates effective training volume based on your heart rate, age, gender and duration.

During the workout, you can see BAI accumulates. As soon as you complete a workout session, you can obtain a total BAI point of this session, which is the total effective training volume of this session. If you train harder, higher heart rate zone, you get BAI points faster. If you train less hard, lower heart rate zone, you get BAI points slow. We recommend to workout by accumulating 100 BAI points every week to enhance your cardio capability.

## Explanation of buttons

### Up (Dail)

- Increase resistance level
- Setting selection.

### Down (Dail)

- Decrease resistance level
- Setting selection.

### Mode/ Enter

- Confirm setting or selection.

### Reset

- In setting mode, press RESET key once to reset the current function figures.
- Press RESET key and hold for 2 seconds to reset all function figures

### Start/ Stop

- Start or Stop workout

### Body Fat

- Test body fat% and BMI in stop mode.

### Recovery

- Test heart rate recovery status.

## Operation

### Power on

- Plug in power supply to power on computer.
- Press any key to power on the console when being in sleep mode..
- Start pedalling to power on the console when being in sleep mode.

LCD will display all segments (fig. - F-01)

### Set user

- Select user, turn dial to select U1~U4, confirm by press MODE.
- Select Gender, turn dial to select Male/ Female, confirm by press MODE.
- Set Age ( A ), turn dial to select 1~99, confirm by press MODE.
- Set Height ( H ), turn dial to select 100~200, confirm by press MODE.
- Set Weight ( W ), turn dial to select 20~150, confirm by press MODE.

### Workout selection

Use Dial UP/ DOWN to select:

|          |                        |
|----------|------------------------|
| M        | Manual                 |
| P1 ~ P12 | Program profile 1 ~ 12 |
| HRC      | Heart rate control     |
| W        | Watt control           |
| U        | User program           |

### Power off

Without any signal being transmitted into the monitor for 4 minutes the monitor will enter SLEEP mode automatically. ( Active training data will be lost )

## Programs

### Quick start

- Press START/ STOP key to start your workout without any pre-set setting.
- Use Dial UP/ DOWN to adjust resistant level during workout.

### End your workout

- Press START/ STOP in workout mode to stop/ pause your workout. To resume your workout press START/ STOP button in pause mode.
- Press RESET key ( in Pause mode ) to reset all workout data.
- Press and hold RESET key for over 2 seconds to reset console. ( Active training data will be lost )

### Manual mode

- Use Dial Up/ Down function to select workout program, Select M (manual) mode, confirm by press MODE.
- Use Dial Up/ Down function to set the tension level, confirm by press MODE.
- Use Dial Up/ Down key to pre-set training time, confirm by press MODE.
- Use Dial Up/ Down key to pre-set training Distance, confirm by press MODE.
- Use Dial Up/ Down key to pre-set training Calories, confirm by press MODE.
- Use Dial Up/ Down key to set a limit for Pulse, confirm by press MODE.

### NOTE

- When setting more than one goal, the training will end at first achieved goal.
- Leave a goal blank and it will not be seen as a pre-set limit.
- When setting a pulse limit, the workout will not stop when exceeding the set limit. An acoustic alarm will notify the user when exceeding the limit as a warning.

- Press START/ STOP key to start workout
- Use Dial UP/ DOWN key to adjust resistance level. Load level is shown in LEVEL window.

### Program profile 1~12

- Use Dial Up/ Down function to select workout program, Select one of the pre-set profiles, confirm by press MODE.
- Use Dial Up/ Down function to set the tension level, confirm by press MODE. The complete profile will be scaled proportionally.
- Use Dial Up/ Down key to pre-set training time, confirm by press MODE.

- Press START/ STOP key to start workout
- Use Dial UP/ DOWN key to adjust resistance level. The complete profile will be scaled proportionally Load level is shown in LEVEL window.

In Program profile mode, the tension will be adjusted automatically to a pre set profile.

### NOTE

- The duration of each segment in the profile is 1/8 of your pre set training time.
- If no training time is set, the duration of each segment will be  $\pm 20$  seconds, and will restart the profile again repeatedly until you stop the workout yourself.

## Cardio mode.

- Use Dial Up/ Down function to select workout program, Select HRC ( heart icon ), confirm by press MODE.
- Use Dial Up/ Down function to set the HRC target:
  - 55% = 55% of 220 minus age.
  - 75% = 75% of 220 minus age
  - 90% = 90% of 220 minus age
  - TA = Target ( Default 100 )
 confirm by press MODE.
- When set TA, Use Dial Up/ Down function to set target ( 30~230 ), confirm by press MODE.
- Use Dial Up/ Down key to pre-set training time, confirm by press MODE.
- Press START/ STOP key to start workout
- Use RESET, to go back to main menu.

In Cardio mode, the tension will be adjusted automatically to an insensitivity in where your hart rate reaches the Pre set HRC target.

## Watt Mode.

- Use Dial Up/ Down function to select workout program, Select Watt Control ( W ), confirm by press MODE.
- Use Dial Up/ Down function to set the Watt target: 120 is pre-set default ( 10~350 ) confirm by press MODE.
- Use Dial Up/ Down key to pre-set training time, confirm by press MODE.
- Press START/ STOP key to start workout
- Use RESET, to go back to main menu.

In Watt mode, the tension will be adjusted automatically to an insensitivity in where the Watt reaches the Pre set Watt target.

### !! NOTE

- The Watt parameter is a calculation of RPM and Tension level. When RPM is higher, the tension will be lower. When RPM is lower, the tension will be higher.

## User Profile

- Use Dial Up/ Down function to select workout program, Select User Profile ( U ), confirm by press MODE.
- Use Dial Up/ Down function to set the tension level for the first profile segment. confirm by press MODE.
- Repeat the rest of the profile segment tension levels too in the same manner.
- Press and hold MODE button for 2 seconds to confirm and store the set User Profile.
- Use Dial Up/ Down key to pre-set training time, confirm by press MODE.
- Press START/ STOP key to start workout
- Use RESET, to go back to main menu.

In User Program profile mode, the tension will be adjusted automatically to the pre set profile.

The duration of each segment in the profile is 1/8 of your pre set training time.

### !! NOTE

- There is one user program available per user.

## Recovery

- The RECOVERY key will only be valid if pulse is detected.
- TIME will show „0:60“ (seconds) and counts down to 0.
- Computer will show F1 to F6 after the countdown to test heart rate recovery status. User can find the heart rate recovery level based on the chart below.
- Press RECOVERY key again to return to the beginning.

|    |               |
|----|---------------|
| F1 | Outstanding   |
| F2 | Excellent     |
| F3 | Good          |
| F4 | Fair          |
| F5 | Below average |
| F6 | Poor          |

## Body Fat

- Press the BODY FAT key to start body fat measurement.
- During measuring, users have to hold both hands on the hand grips. LCD display “-” “-” “-” “-” “-” “-” for 8 seconds until computer finish measuring.
- LCD will display BMI and FAT %.

## Body fat mode error codes

- \*E-1  
There is no heart rate signal input detected.
- \*E-4  
Occurs when FAT% and BMI result is below 5 or exceeds 50.

## Bluetooth & APP

- This console can connect with an APP on a smart device by Bluetooth (iOS & Android).
- Establish the Bluetooth connection only via the connection mode on the installed APP on your smart device.
- When the bluetooth connection between APP and console is established the console display will be dimmed.

### !! NOTE

- Tunturi only provides the option to connect your fintess console throughout a blue tooth connection. Therefore Tunturi cannot be held responsible for damage, or malfunctioning of products other than Tunturi products.
- Check the website for extra information.

This console can receive a Bluetooth heart-rate transmitter. There is no need to pair the device, as the console will auto detect the heart-rate transmitter when it is in range.

## Cleaning and maintenance

The equipment does not require special maintenance. The equipment does not require recalibration when it is assembled, used and serviced according to the instructions.

### ! WARNING

- Do not use solvents to clean the equipment.

- Clean the equipment with a soft, absorbent cloth after each use.
- Regularly check that all screws and nuts are tight.
- If necessary, lubricate the joints.

## Defects and malfunctions

Despite continuous quality control, defects and malfunctions caused by individual components may occur in the equipment. In most cases it's unnecessary to take the whole device in for repair, as it's usually sufficient to replace the defective part.

If the equipment does not function properly during use, contact your Tunturi dealer immediately. Always give the model and serial number of your equipment. Please state also the nature of the problem, conditions of use and purchase date.

If you require spare parts, always give the model, serial number of your equipment and the spare part number for the part you need. The spare part list is at the back of this manual. Use only spare parts mentioned in the spare part list.

### Trouble shooting:

- If there is no signal when you pedal, please check if the cable is well connected.

#### NOTE

- When stop training for 4 minutes, the main screen will be off.
- If the computer displays abnormally, please re-install the transformer and try again.

### Squeaking rollers

- Regular Usage: Apply 2cc. of the lubricant on each protruding rail surface every three months.
- When sliding wheels are making noise during sliding movement, apply 2cc. of lubricant on each protruding rail surface immediately.

#### CAUTION

- We recommend to use a silicon based lubricant.
- Do not apply too much lubricant or wipe off redundant lubricant with a clean cloth as too much lubricant can cause carpet stain or dirt particle.

### Shaky or unstable feeling during use

If the machine feels unstable or unstable during operation, it is advisable to adjust the support feet to bring the frame to the correct height. Read the instructions in this manual in section: "Use"

## Transport and storage

#### WARNING

- Carry and move the equipment with at least two persons.
- Remain standing in front of the equipment on each side and take a sturdy grip at the handlebars. Tilt the front of the equipment so as to lift the rear of the equipment on the wheels. Move the equipment and carefully put the equipment down. Place the equipment on a protective base to prevent damage to the floor surface.
- Move the equipment carefully over uneven surfaces. Do not move the equipment upstairs using the wheels, but carry the equipment by the handlebars.
- Store the equipment in a dry place with as little temperature variation as possible.

## Additional information

### Packaging disposal

Government guidelines ask that we reduce the amount of waste material disposed of in land fill sites. We therefore ask that you dispose of all packaging waste responsibly at public recycling centres.

### End of life disposal

We at Tunturi hope you enjoy many years of enjoyable use from your fitness trainer. However, a time will come when your fitness trainer will come to the end of its useful life. Under 'European WEEE Legislation you are responsible for the appropriate disposal of your fitness trainer to a recognised public collection facility.

## Technical data

| Parameter                      | Unit of measurement | Value                 |
|--------------------------------|---------------------|-----------------------|
| Telemetric heart rate receiver | Frequency           | 5.3 Khz/<br>Bluetooth |
| Length                         | cm<br>inch          | 195,0<br>76.8         |
| Width                          | cm<br>inch          | 74,0<br>29.1          |
| Height                         | cm<br>inch          | 162,0<br>63.8         |
| Weight                         | kg<br>lbs           | 73.5<br>161.7         |
| Max. user weight               | kg<br>lbs           | 120<br>265            |
| Adapter Voltage Current        | V<br>Ma.            | 9V-DC<br>1.0 A        |

## Warranty

### Tunturi purchaser's warranty

#### Warranty terms

The consumer is entitled to the applicable legal rights stated in the national legislation concerning the commerce of consumer goods. This warranty does not restrict these rights. The Purchaser's Warranty is only valid if the item is used in an environment approved by Tunturi New Fitness BV for that particular equipment. The product-specific approved environment is stated in the Owner's Manual provided with your equipment.

#### Warranty conditions

The warranty conditions commence from the date of purchase. Warranty conditions may vary per country, so please consult your local dealer for the warranty conditions.

#### Warranty coverage

Under no circumstances shall Tunturi New Fitness BV or the Tunturi Distributor be liable by virtue of this warranty or otherwise for any special, indirect, secondary or consequential damages of any nature arising out of any use or inability to use this equipment.

## Warranty limitations

This warranty covers manufacturing defects in the fitness equipment as originally packed by Tunturi New Fitness BV. The warranty shall apply only under conditions of normal, recommended use of the product as described in the Owner's Manual and providing that Tunturi New Fitness BV's instructions for installation, maintenance and use have been complied with. Neither Tunturi New Fitness BV's nor the Tunturi Distributors'

obligations apply to defects due to reasons beyond their control. The warranty applies only to the original purchaser and is valid only in countries where Tunturi New Fitness BV has an authorised importer. The warranty does not extend to fitness equipment or components that have been modified without the consent of Tunturi New Fitness BV. Defects resulting from normal wear, misuse, abuse, corrosion, or damage incurred during loading or transportation are not covered.

The warranty does not cover sounds or noises emitted during use where these do not substantially impede the use of the equipment and where they are not caused by a fault in the equipment. The warranty does not cover defects arising from the failure to carry periodic maintenance as outlined within the Owner's Manual for the product. Furthermore, the warranty does not cover defects arising from usage and storage within an unsuitable environment as described within the Owner's Manual which should be indoors, dry, dust and grit free and within a temperature range of +15°C to +35°C. The warranty does not cover maintenance activities, such as cleaning, lubricating, and normal part adjustments, nor installation

procedures that customers can accomplish themselves, such as changing uncomplicated meters, pedals and other similar parts not requiring any dismantling/reassembling of the fitness equipment. Warranty repairs carried out by other than authorised Tunturi representatives are not covered. Failure to follow the instructions given in the Owner's Manual will invalidate the product's warranty.

## Declaration of the manufacturer

---

Tunturi New Fitness BV declares that the product is in conformity with the following standards and directives: EN 957 (HB), 89/336/EEC. The product therefore carries the CE label.

01-2017

Tunturi New Fitness BV  
Purmerweg 1  
1311 XE Almere  
The Netherlands

## Disclaimer

---

© 2017 Tunturi New Fitness BV  
All rights reserved.

The product and the manual are subject to change. Specifications can be changed without further notice.

## Deutsch

Diese deutsche Bedienungsanleitung ist eine Übersetzung des englischen Textes. Es können keine Rechte auf diese Übersetzung abgeleitet werden.

## Index

|  |           |
|--|-----------|
| <b>Crosstrainer</b> .....                | <b>31</b> |
| <b>Warnhinweise zur Sicherheit</b> ..... | <b>31</b> |
| Elektrische Sicherheit .....             | 31        |
| <b>Montageanleitungen</b> .....          | <b>32</b> |
| Beschreibung (Abb. A) .....              | 32        |
| Verpackungsinhalt (Abb. B & C) .....     | 32        |
| Zusammenbau (Abb. D) .....               | 32        |
| Ziehen Muttern und Schrauben .....       | 32        |
| <b>Trainings</b> .....                   | <b>32</b> |
| Trainingsanleitung .....                 | 32        |
| Herzfrequenz .....                       | 33        |
| <b>Gebrauch</b> .....                    | <b>33</b> |
| Stromzufuhr (Abb. E-1) .....             | 34        |
| <b>Konsole (Abb F)</b> .....             | <b>34</b> |
| Erläuterung der Anzeigefunktionen .....  | 34        |
| Erläuterung der Schalter .....           | 35        |
| Bedienung .....                          | 35        |
| Programme .....                          | 35        |
| Recovery .....                           | 37        |
| Bluetooth & APP .....                    | 37        |
| <b>Reinigung und Wartung</b> .....       | <b>37</b> |
| Störungen und Fehlfunktionen .....       | 37        |
| <b>Transport und Lagerung</b> .....      | <b>38</b> |
| Zusätzliche Informationen .....          | 38        |
| <b>Technische Daten</b> .....            | <b>38</b> |
| <b>Garantie</b> .....                    | <b>38</b> |
| <b>Herstellereklärung</b> .....          | <b>39</b> |
| <b>Haftungsausschluss</b> .....          | <b>39</b> |

## Crosstrainer

Willkommen in der Welt von Tunturi!

Danke, dass Sie dieses Gerät von Tunturi erworben haben. Tunturi bietet eine breite Palette an Heim-Fitnessgeräten wie beispielsweise Crosstrainer, Laufbänder, Trainingsfahrräder und Rudergeräte an. Die Tunturi Geräte sind für die ganze Familie geeignet - ganz egal, wie fit man ist. Weitere Informationen finden Sie auf unserer Website unter [www.tunturi.com](http://www.tunturi.com)

## Warnhinweise zur Sicherheit

### ⚠️ WARNUNG

- Lesen Sie die Warnhinweise zur Sicherheit und die Anweisungen. Werden die Warnhinweise zur Sicherheit und die Anweisungen nicht befolgt, kann dies zu Personenverletzungen und Schäden am Gerät führen. Bewahren Sie die Warnhinweise zur Sicherheit und die Anweisungen zur künftigen Bezugnahme auf.

### ⚠️ WARNUNG

- Herzfrequenz-Überwachungssysteme können ungenau sein.
- Eine Überanstrengung kann zu schweren Schädigungen oder zum Tod führen. Wenn Sie sich schwach oder ohnmächtig fühlen, stellen Sie die Übungen unverzüglich ein.

- Das Gerät ist nur für den Hausgebrauch geeignet. Das Gerät ist nicht für den gewerblichen Gebrauch geeignet.
- Die maximale Verwendung ist auf 3 Stunden pro Tag beschränkt
- Wenn dieses Gerät von Kindern oder Personen mit körperlicher, sensorischer, geistiger oder motorischer Behinderung verwendet wird, oder wenn nicht genügend Erfahrung und Kenntnisse vorhanden sind, kann dies zu Gefahrensituationen führen. Personen, die für deren Sicherheit verantwortlich sind, müssen klare Anweisungen geben oder den Gebrauch des Geräts beaufsichtigen.
- Bevor Sie Ihr Training starten, nehmen Sie Kontakt mit einem Arzt auf, um Ihre Gesundheit kontrollieren zu lassen.
- Falls Sie Übelkeit, ein Schwindelgefühl oder andere anormale Symptome verspüren, hören Sie unverzüglich mit Ihrem Training auf und wenden Sie sich an einen Arzt.
- Um einen Muskelkater zu vermeiden, starten Sie jedes Training mit Aufwärmen und beenden Sie es mit Abkühlen. Denken Sie daran, sich am Ende des Trainings zu dehnen.
- Das Gerät ist nur für den Gebrauch in geschlossenen Räumen geeignet. Das Gerät ist nicht für den Gebrauch im Freien geeignet.
- Verwenden Sie das Gerät nur in Umgebungen mit ausreichender Belüftung. Verwenden Sie das Gerät nicht in zugiger Umgebung, damit Sie sich nicht erkälten.
- Verwenden Sie das Gerät nur in Umgebungen mit Umgebungstemperaturen zwischen 10°C~35°C/ 50°F~95°F. Lagern Sie das Gerät nur in Umgebungen mit einer Umgebungstemperatur zwischen 5°C~45°C/ 41°F~113°F
- Verwenden und lagern Sie das Gerät nicht in feuchten Umgebungen. Die Luftfeuchtigkeit darf niemals 80% überschreiten.
- Verwenden Sie das Gerät nur bestimmungsgemäß. Verwenden Sie das Gerät nicht für einen anderen als für den in diesem Handbuch beschriebenen Zweck.
- Verwenden Sie das Gerät nicht, falls Teile beschädigt oder defekt sind. Ist ein Teil beschädigt oder defekt, wenden Sie sich an Ihren Händler.
- Halten Sie Ihre Hände, Füße und andere Körperteile von den beweglichen Teilen fern.
- Halten Sie Ihr Haar von den beweglichen Teilen fern.
- Tragen Sie entsprechende Kleidung und Schuhe.
- Halten Sie Kleidung, Schmuck und andere Gegenstände von den beweglichen Teilen fern.
- Vergewissern Sie sich, dass das Gerät nur von einer Person auf einmal verwendet wird. Das Gerät darf nicht von Personen verwendet werden, deren Gewicht 120 kg (264 lbs) überschreitet.
- Öffnen Sie das Gerät nicht, ohne vorher mit Ihrem Händler zu sprechen.

## Elektrische Sicherheit

(Betrifft nur elektrisch betriebene Geräte)

- Vergewissern Sie sich vor der Verwendung stets, dass die Netzspannung mit der Spannung auf dem Typenschild des Geräts übereinstimmt.
- Verwenden Sie kein Verlängerungskabel.
- Halten Sie das Netzkabel von Hitze, Öl und scharfen Kanten fern.
- Verändern Sie nichts am Netzkabel oder am Netzstecker.
- Verwenden Sie das Gerät nicht, falls das Netzkabel oder der Netzstecker beschädigt oder defekt ist. Ist das Netzkabel oder der Netzstecker beschädigt oder defekt, wenden Sie sich an Ihren Händler.
- Wickeln Sie das Netzkabel immer vollständig ab.
- Lassen Sie das Netzkabel nicht unter dem Gerät entlanglaufen. Lassen Sie das Netzkabel nicht unter einem Teppich entlanglaufen. Stellen Sie keine Gegenstände auf das Netzkabel.

- Vergewissern Sie sich, dass das Netzkabel nicht über der Kante eines Tisches hängt. Vergewissern Sie sich, dass niemand versehentlich über das Netzkabel stolpert.
- Lassen Sie das Gerät nicht unbeaufsichtigt, wenn der Netzstecker in die Wandsteckdose eingesteckt ist.
- Ziehen Sie nicht am Netzkabel, um den Netzstecker aus der Wandsteckdose zu ziehen.
- Ziehen Sie den Netzstecker aus der Wandsteckdose, wenn das Gerät nicht verwendet wird, bevor es zusammengebaut oder zerlegt wird sowie vor der Reinigung und Wartung.

## Montageanleitungen

### Beschreibung (Abb. A)

Ihr Crosstrainer ist ein ortsgebundenes Fitnessgerät, das zur Simulation des Gehens oder Laufens verwendet wird, ohne dabei einen übermäßigen Druck auf die Gelenke auszuüben.

### Verpackungsinhalt (Abb. B & C)

- Die Verpackung enthält die in Abb. B dargestellten Teile.
- Die Verpackung enthält die Befestigungsteile gemäß Abb. C. Siehe Abschnitt "Beschreibung".

#### ⚠ HINWEIS

- Fehlt ein Teil, wenden Sie sich an Ihren Händler.

### Zusammenbau (Abb. D)

#### ⚠ WARNUNG

- Bauen Sie das Gerät in der angegebenen Reihenfolge zusammen.
- Tragen und bewegen Sie das Gerät mit mindestens zwei Personen.

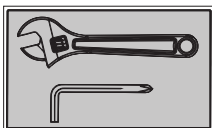
#### ⚠ VORSICHT

- Stellen Sie das Gerät auf festen, ebenen Boden.
- Stellen Sie das Gerät auf eine schützende Unterlage, um Schäden am Bodenbelag zu vermeiden.
- Sorgen Sie rund um das Gerät für einen Freiraum von mindestens 100 cm.
- Der richtige Zusammenbau des Geräts geht aus den Abbildungen hervor.

#### ⚠ HINWEIS

- Heben Sie die Werkzeuge für künftige Zwecke auf, die zu diesem Produkt geliefert wurden, wenn Sie die Montage beendet haben.

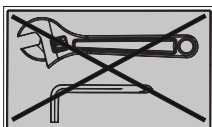
### Ziehen Muttern und Schrauben



Ziehen Sie die Muttern und Schrauben fest an, nachdem alle Komponenten im aktuellen und in den vorherigen Schritten montiert wurden.

#### ⚠ HINWEIS

- Ziehen Sie Komponenten mit Drehfunktion nicht zu fest an.
- Vergewissern Sie sich, dass sich alle Drehkomponenten frei drehen können.



Ziehen Sie nicht alle Muttern und Schrauben in diesem Schritt fest.

## Trainings

Das Training muss leicht und geeignet, aber von langer Dauer sein. Aerobic-Übungen basieren auf der Verbesserung der maximalen Sauerstoffaufnahme des Körpers, was wiederum die Ausdauer und Fitness verbessert. Sie sollten während des Trainings zwar ins Schwitzen, aber nicht außer Atem kommen.

Um eine Basisfitness zu erreichen und zu halten, üben Sie mindestens drei mal pro Woche 30 Minuten lang an einem Stück. Erhöhen Sie die Anzahl der Übungssitzungen, um Ihre Fitness zu verbessern. Es lohnt sich, die regelmäßigen Übungen mit einer gesunden Diät zu kombinieren. Personen, die Diät machen, sollten täglich zuerst 30 Minuten oder weniger an einem Stück üben und die tägliche Trainingszeit allmählich auf eine Stunde verlängern. Beginnen Sie Ihr Training mit niedriger Geschwindigkeit und geringem Widerstand, um zu vermeiden, dass das Herzkreislaufsystem einer übermäßigen Belastung ausgesetzt wird. Mit sich verbessernder Fitness können Geschwindigkeit und Widerstand allmählich erhöht werden. Die Wirksamkeit Ihrer Übungen kann durch Überwachung der Herzfrequenz und Ihrer Pulsfrequenz gemessen werden.

### Trainingsanleitung

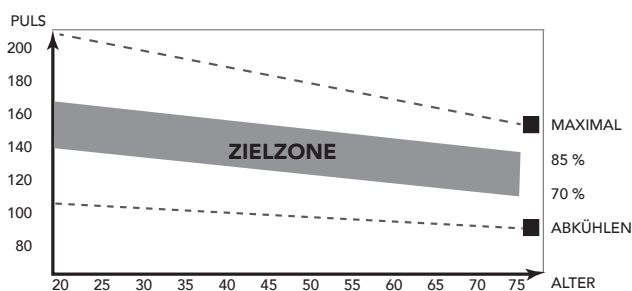
Die Verwendung des Fitnesstrainers wird Ihnen viele Vorteile bieten: Er verbessert Ihre körperliche Fitness, formt die Muskeln und hilft Ihnen, in Verbindung mit einer kalorienreduzierten Diät, Gewicht zu verlieren.

#### Die Aufwärm-Phase

Der Blutkreislauf wird angeregt und die Muskelfunktionen werden unterstützt. Außerdem wird das Risiko von Krämpfen und Muskelverletzungen gesenkt. Sie sollten, wie unten angezeigt, einige Dehnungsübungen machen. Sie sollten weder die Dehnungsbewegung erzwingen noch die Muskeln dabei ruckweise bewegen - wenn Sie Schmerzen haben, sollten Sie AUFHÖREN.

#### Die Trainings-Phase

In dieser Phase strengen Sie sich an. Nach regelmäßiger Verwendung werden die Muskeln in Ihren Beinen beweglicher. In dieser Phase ist es sehr wichtig, immer ein gleichmäßiges Tempo beizubehalten. Die Anstrengung sollte ausreichen, um Ihren Herzschlag bis in die Zielzone zu erhöhen, die im folgenden Diagramm dargestellt ist.



Diese Phase sollte mindestens 12 Minuten dauern; die meisten Menschen beginnen mit ca. 15 bis 20 Minuten.

#### Die Abkühlungs-Phase

Sie dient der Entspannung Ihres Herz-Kreislaufsystems und Ihrer Muskeln. Dabei werden die Aufwärmübungen wiederholt, reduzieren Sie zum Beispiel Ihr Tempo und machen Sie ca. 5 Minuten weiter. Jetzt sollten die Dehnübungen wiederholt werden. Denken Sie wiederum daran, weder die Dehnungsbewegung zu erzwingen noch die Muskeln dabei ruckweise zu bewegen.

Wenn Sie fitter werden, kann es sein, dass Sie länger und härter trainieren müssen. Sie sollten mindestens drei Mal die Woche trainieren



und, falls möglich, Ihre Trainingseinheiten gleichmäßig über die Woche verteilen.

### Muskelformung

Um Ihre Muskeln beim Training auf dem Fitnesstrainer zu formen, müssen Sie den Widerstand ziemlich hoch einstellen. Dadurch werden die Beinmuskeln mehr angestrengt und Sie können möglicherweise nicht so lange trainieren, wie Sie möchten. Wenn Sie außerdem Ihre Fitness verbessern möchten, müssen Sie Ihr Trainingsprogramm ändern. Sie sollten in den Aufwärm- und Abkühlphasen normal trainieren, jedoch gegen Ende der Trainingsphase den Widerstand erhöhen, damit Ihre Beine härter arbeiten müssen. Sie müssen die Geschwindigkeit verringern, damit Ihre Herzfrequenz in der Zielzone bleibt.

### Gewichtsabnahme

Der wichtige Faktor ist, wie sehr Sie sich anstrengen. Je härter und je länger Sie trainieren, desto mehr Kalorien verbrennen Sie. Dies ist im Grunde dasselbe, wie wenn zur Verbesserung Ihrer Fitness trainieren, nur das Ziel ist ein anderes.

## Herzfrequenz

### Pulsfrequenzmessung (Handpulssensoren)

Die Pulsfrequenz wird durch Sensoren in den Handgriffen gemessen, wenn der Nutzer beide Sensoren gleichzeitig anfasst. Für eine genaue Pulsmessung ist es erforderlich, dass die Haut etwas feucht ist und die Handpulssensoren konstant berührt werden. Ist die Haut zu trocken oder zu feucht, wird die Pulsfrequenzmessung weniger genau.

#### ⚠ HINWEIS

- Verwenden Sie die Handpulssensoren nicht in Kombination mit einem Herzfrequenz-Brustgürtel.
- Wenn Sie sich einen Herzfrequenz-Grenzwert für Ihr Training setzen, ertönt beim Überschreiten ein Signal.

### Herzfrequenzmessung (Herzfrequenz-Brustgürtel)

#### ⚠ HINWEIS

- Ein Herzfrequenz-Brustgürtel gehört bei diesem Trainer nicht zum Standard. Wenn Sie einen drahtlosen Brustgurt verwenden möchten, müssen Sie diesen als Zubehör erwerben.

Die genaueste Herzfrequenzmessung lässt sich mit einem Herzfrequenz-Brustgürtel erzielen. Die Herzfrequenz wird mit einem Herzfrequenzempfänger in Kombination mit einem Herzfrequenz-Sendegürtel gemessen. Für eine genaue Herzfrequenzmessung ist es erforderlich, dass die Elektroden am Sender etwas feucht sind und die Haut konstant berühren. Sind die Elektroden zu trocken oder zu feucht, wird die Herzfrequenzmessung weniger genau.

#### ⚠ WARNUNG

- Falls Sie einen Schrittmacher haben, wenden Sie sich zunächst an einen Arzt, bevor Sie einen Herzfrequenz-Brustgürtel verwenden.

#### ⚠ VORSICHT

- Falls sich mehrere Herzfrequenz-Messgeräte in gegenseitiger Nähe befinden, vergewissern Sie sich, dass der Abstand zwischen ihnen mindestens 1,5 Meter beträgt.
- Falls nur ein Herzfrequenzempfänger und mehrere Herzfrequenzsender vorhanden sind, vergewissern Sie sich, dass nur eine Person mit einem Sender in Sendereichweite ist.

#### ⚠ HINWEIS

- Verwenden Sie keinen Herzfrequenz-Brustgürtel in Kombination mit den Handpulssensoren.
- Tragen Sie den Herzfrequenz-Brustgürtel stets mit direktem Hautkontakt unter Ihrer Kleidung. Tragen Sie den Herzfrequenz-Brustgürtel nicht auf Ihrer Kleidung. Falls Sie den Herzfrequenz-Brustgürtel auf Ihrer Kleidung tragen, gibt es kein Signal.
- Wenn Sie sich einen Herzfrequenz-Grenzwert für Ihr Training setzen, ertönt beim Überschreiten ein Signal.
- Der Sender überträgt die Herzfrequenz in einem Abstand bis zu 1 Meter zur Konsole. Sind die Elektroden nicht feucht, erscheint die Herzfrequenz nicht auf der Anzeige.
- Einige Fasern in der Kleidung (z.B. Polyester, Polyamid) erzeugen statische Elektrizität, die eine genaue Herzfrequenzmessung verhindern kann.
- Mobiltelefone, Fernsehgeräte und andere Elektrogeräte erzeugen ein elektromagnetisches Feld, das eine genaue Herzfrequenzmessung verhindern kann.

### Maximale Herzfrequenz (während des Trainings)

Die maximale Herzfrequenz ist die höchste Herzfrequenz, die eine Person durch Übungsbelastung sicher erzielen kann. Folgende Formel wird zur Berechnung der durchschnittlichen maximalen Herzfrequenz verwendet:  $220 - \text{ALTER}$ . Die maximale Herzfrequenz variiert von Person zu Person.

#### ⚠ WARNUNG

- Stellen Sie sicher, dass Sie während des Trainings Ihre maximale Herzfrequenz nicht überschreiten. Falls Sie einer Risikogruppe angehören, wenden Sie sich an einen Arzt.

### Anfänger

#### 50-60% der maximalen Herzfrequenz

Geeignet für Anfänger, Gewicht- Beobachter, Genesende und Personen, die schon lange nicht mehr trainiert haben. Trainieren Sie mindestens dreimal pro Woche 30 Minuten an einem Stück.

### Fortgeschritten

#### 60-70% der maximalen Herzfrequenz

Geeignet für Personen, die ihre Fitness verbessern und halten wollen. Trainieren Sie mindestens dreimal pro Woche 30 Minuten an einem Stück.

### Experte

#### 70-80% der maximalen Herzfrequenz

Geeignet für die fittesten Personen, die sich an lange Ausdauertrainings gewöhnt haben.

## Gebrauch

### Einstellen der Stützfüße

Das Gerät hat 6 Stützfüße. Steht das Gerät nicht stabil, kann es mit den Stützfüßen eingestellt werden.

- Drehen Sie die Stützfüße wie erforderlich, um das Gerät in eine stabile Position zu bringen.
- Ziehen Sie die Sicherungsmuttern an, um die Stützfüße zu sichern.

#### ⚠ HINWEIS

- Die Maschine steht am stabilsten, wenn alle Stützfüße vollständig eingeschraubt sind. Nivellieren Sie die Maschine daher, indem Sie alle Stützfüße vollständig eindrehen, bevor Sie die entsprechenden Füße zur Stabilisierung der Maschine wieder herausdrehen.

## ⚠️ WARNUNG

- Um Schäden am Fusboden zu verhindern, stellen Sie sicher das der "U shape holder" den Boden nicht berührt während des Trainierens. (Abb. E-2)  
Wenn notwendig, können Sie die Höhe vom "U shape slider" anpassen mit dem "Adjusting cushion". (Sieh Montage Schritt D-1C-A)

## Einstellen der Konsole

Die Konsole kann auf die Höhe und Übungsposition des Benutzers eingestellt werden.

- Lösen Sie den Konsoleneinstellknopf.
- Bewegen Sie die Konsole in die erforderliche Position.
- Ziehen Sie den Konsoleneinstellknopf an.

## Stromzufuhr (Abb. E-1)

Das Trainingsgerät wird über eine externe Stromversorgung mit Strom versorgt. Die Position des Stromeingangs für das Trainingsgerät finden Sie auf der Abbildung.

## 🔧 HINWEIS

- Befestigen Sie den Transformator am Trainer bevor Sie diese in der Steckdose stecken.
- Entfernen sie immer das Netzkabel wenn der Trainer nicht benutzt wird.

## Konsole (Abb F)



- Anzeige
- Tablet-/Buchstütze
- Schalter

## ⚠️ VORSICHT

- Halten Sie die Konsole von direkter Sonneneinstrahlung fern.
- Trocknen Sie die Oberfläche der Konsole, wenn Sie mit Schweißtropfen bedeckt ist.
- Lehnen Sie sich nicht auf die Konsole.
- Berühren Sie die Anzeige nur mit Ihrer Fingerspitze. Vergewissern Sie sich, dass Ihre Nägel oder andere scharfe Gegenstände die Anzeige nicht berühren.

## 🔧 HINWEIS

- Die Konsole schaltet in den Standby-Modus, wenn das Gerät 4 Minuten lang nicht verwendet wird.

## Erläuterung der Anzeigefunktionen

### Time (Zeit)

- Ohne Einstellung des Sollwerts wird die Zeit summiert.
- Wenn ein Sollwert eingestellt ist, wird die Zeit vom Zielwert aus auf 0 herabgezählt. Bei 0 ertönt ein Alarm oder erscheint ein Blinklicht. Die Zeit wird wieder summiert, wenn das Training nach Erreichen des Ziels fortgesetzt wird.
- Wenn vier Sekunden lang ohne Training kein Signal auf den Monitor übertragen wird, wird die Zeit auf STOP geschaltet
- Bereich 0:00 ~ 99:59

### Speed (Geschwindigkeit)

- Aktuelle Trainingsgeschwindigkeit wird angezeigt.
- Bereich 0,0 ~ 99,9
- Wenn vier Sekunden lang ohne Training kein Signal auf den Monitor übertragen wird, zeigt SPEED „0,0“ an

### RPM (U/Min)

- Umdrehungen pro Minute werden angezeigt  
Bereich 0~15~999
- Wenn vier Sekunden lang ohne Training kein Signal auf den Monitor übertragen wird, zeigt U/Min „0“ an

### Watt

- Aktuelle Trainings-Watt werden angezeigt.
- Bereich 0 ~ 999

### Level

- Zeigt die Einstellung der Spannungsstufe bei der Einstellung des Widerstandes für 3 Sekunden an.

### Distance (Entfernung)

- Ohne Einstellung des Sollwerts wird die Distanz summiert.
- Wenn ein Sollwert eingestellt ist, wird die Distanz vom Zielwert aus auf 0 herabgezählt. Bei 0 ertönt ein Alarm oder erscheint ein Blinklicht. Die Distanz wird wieder summiert, wenn das Training nach Erreichen des Ziels fortgesetzt wird.
- Bereich 0,00 ~ 99,99

### Calories (Kalorien)

- Ohne Einstellung des Sollwerts werden die Kalorien summiert.
- Wenn ein Sollwert eingestellt ist, werden die Kalorien vom Zielwert aus auf 0 herabgezählt. Bei 0 ertönt ein Alarm oder erscheint ein Blinklicht. Die Kalorien werden wieder summiert, wenn das Training nach Erreichen des Ziels fortgesetzt wird.
- Bereich 0~999

## 🔧 HINWEIS

- Diese Daten sind ein grober Anhaltspunkt für den Vergleich verschiedener Trainingssitzungen. Sie können jedoch nicht für eine medizinische Behandlung verwendet werden

### Pulse (Puls)

- Aktueller Puls wird nach sechs Sekunden angezeigt, wenn dieser von der Konsole erkannt wird.
- Wenn sechs Sekunden lang kein Puls-Signal vorhanden ist, zeigt die Konsole „P“ an.

- Der Pulsalarm ertönt, wenn der aktuelle Puls über dem Sollpuls liegt.
- HF-Bereich 0-30~230

**BAI™**

- BAI Anzeige Verbrauch während des Trainings.
- Anzeigebereich 0~999

**HINWEIS**

- BAI (Body Activity Index (Körperaktivitätsindex)) ist die Summe des effektiven Trainingsvolumens.
- Trainingsvolumen = Trainingsintensität x Trainingszeit.

BAI berechnet das effektive Trainingsvolumen anhand Ihrer Herzfrequenz, Ihres Alters, Ihres Geschlechts und Ihrer Trainingsdauer. Während des Trainings können Sie sehen, dass sich BAI ansammelt. Sobald Sie eine Trainingseinheit abgeschlossen haben, können Sie einen BAI-Gesamtpunkt für diese Einheit erhalten. Dies ist das gesamte effektive Trainingsvolumen dieser Trainingseinheit. Wenn Sie härter trainieren, höhere Herzfrequenz-Zone, erhalten Sie BAI Punkte schneller. Wenn Sie weniger hart trainieren, niedrigere Herzfrequenzzone, erhalten Sie BAI Punkte langsamer. Wir empfehlen Ihnen, jede Woche 100 BAI-Punkte zu sammeln, um Ihre Cardio Fähigkeit zu verbessern.

**Erläuterung der Schalter**

**Up (Dial)**

- Drehen Sie den Schalter im Uhrzeigersinn, um die Einstellwert zu erhöhen.
- Erhöhen des Widerstands.

**Down (Dial)**

- Drehen Sie den Schalter gegen den Uhrzeigersinn, um die Einstellwert zu verringern.
- Verringern des Widerstands.

**Mode/Enter**

- Wählen Sie eine Funktion aus, indem Sie auf die Taste MODE/ENTER drücken.

**Reset**

- Drücken Sie im Einstellungsmodus einmal auf die Taste RESET, um die aktuellen Funktions-Darstellungen zurückzusetzen.
- Drücken Sie auf die RESET-Taste und halten Sie sie zwei Sekunden lang gedrückt, um alle Funktions-Darstellungen zurückzusetzen

**Start/ Stop**

- Trainingsstart bzw. -stopp.

**Body Fat (Körperfett)**

- Körperfett in % und BMI messen.

**Recovery**

- Wenn die Konsole ein Impulssignal erkennt, drücken Sie auf die Taste RECOVERY, um den Recovery-Modus zu öffnen und die Herzfrequenz-Recovery-Fähigkeit zu überwachen

**Bedienung**

**Einschalten**

- Stecken Sie den Stecker der Stromversorgung in die Steckdose. Der Computer fährt hoch und alle Segmente der LCD-Anzeige leuchten 2 Sekunden lang auf.

- Drücken Sie auf eine beliebige Taste, wenn sich die Konsole im Ruhemodus befindet.
- Treten Sie in die Pedale, wenn sich die Konsole im Ruhemodus befindet.

Die LCD-Anzeige zeigt alle Segmente an (Abb. F-01)

**Benutzer einstellen**

- Benutzer auswählen, Taste drücken, um auszuwählen U1~U4, bestätigen Sie mit MODE.
- Geschlecht Auswahl, Taste drücken, um männlich/weiblich auszuwählen bestätigen Sie mit MODE.
- Alter einstellen ( A ), Taste drücken, um 1~99 auszuwählen, bestätigen Sie mit MODE.
- Höhe einstellen ( H ), Taste drücken, um 100~200 auszuwählen, bestätigen Sie mit MODE.
- Gewicht einstellen ( W ), Taste drücken, um 20~150 auszuwählen, bestätigen Sie mit MODE.

**Trainingsauswahl**

Treffen Sie mit dem Schalter UP/DOWN eine Auswahl:

|          |                       |
|----------|-----------------------|
| M        | Manual                |
| P1 ~ P12 | Programmprofil 1 ~ 12 |
| HRC      | Herzfrequenzkontrolle |
| W        | Watt Kontrolle        |
| U        | Benutzerprogramm      |

**Ausschalten**

Wenn vier Sekunden lang ohne Training kein Signal auf den Monitor übertragen wird, wird dieser automatisch in den Ruhemodus geschaltet (SLEEP).

**Programme**

**Schnellstart**

- Drücken Sie die Taste START/STOP, um Ihr Training ohne Voreinstellungen zu beginnen.
- Betätigen Sie die Up/Down Tasten zur Einstellung des Widerstandsgrads beim Training.

**Beenden Sie Ihr Training**

- Drücken Sie im Trainingsmodus auf START/STOP, um das Training zu beenden/anzuhalten. Um das Training fortzusetzen, drücken Sie im Pausen-Modus die START/STOP-Taste.
- Auf die RESET-Taste drücken (im Pausen-Modus), um alle Trainingsdaten zurückzusetzen.
- Halten Sie die Taste RESET mehr als zwei Sekunden lang gedrückt, um die Konsole zurückzusetzen. (Aktive Trainingsdaten gehen verloren)

**Manueller Modus**

- Betätigen Sie die Up/Down Funktion, um das Trainingsprogramm auszuwählen, den M-Modus (manuell) auswählen und mit MODE bestätigen.
- Betätigen Sie die Up/Down Funktion, um den Spannungspegel einzustellen, bestätigen Sie mit MODE.
- Betätigen Sie die Up/Down Taste, um die Trainingszeit vor einzustellen, bestätigen Sie mit MODE.

- Betätigen Sie die Up/Down Funktion, um die Trainingsdauer vor einzustellen, bestätigen Sie mit MODE.
- Betätigen Sie die Up/Down Funktion, um die Trainingsdauer vor einzustellen, bestätigen Sie mit MODE.
- Betätigen Sie die Up/Down Funktion, um eine Grenze für Puls vor einzustellen, bestätigen Sie mit MODE.

## HINWEIS

- Wenn Sie mehr als ein Ziel einstellen, wird das Training nach Erreichen des ersten Ziels beendet.
  - Wenn ein Ziel leer gelassen wird, wird es nicht als voreingestellter Zielwert betrachtet.
  - Wenn Sie ein Puls Grenzwert einstellen, stoppt das Training nicht, wenn das eingestellte Limit überschritten wird. Ein akustischer Alarm warnt den Benutzer, wenn der Grenzwert überschritten wird.
- Drücken Sie die Taste „START/STOP“, um mit dem Training zu beginnen
  - Betätigen Sie die Up/Down Funktion, um die Widerstandsstufe einzustellen. Der Ladezustand wird im LEVEL-Fenster angezeigt.

## Programmprofil 1~12

- Betätigen Sie die Up/Down Funktion, um ein Trainingsprogramm auszuwählen, wählen Sie eines der voreingestellten Profile, bestätigen Sie mit MODE.
  - Betätigen Sie die Up/Down Funktion, um das Spannungsniveau einzustellen, bestätigen Sie mit MODE.  
Das gesamte Profil wird proportional skaliert.
  - Betätigen Sie die Up/Down Taste, um die Trainingszeit vor einzustellen, bestätigen Sie mit MODE.
- Drücken Sie die Taste „START/STOP“, um mit dem Training zu beginnen
  - Betätigen Sie die Up/Down Taste, um die Widerstandsstufe einzustellen.  
Das gesamte Profil wird proportional skaliert.  
Der Ladezustand wird im LEVEL-Fenster angezeigt.

Im Programmprofilmodus wird die Spannung automatisch auf ein voreingestelltes Profil eingestellt.

## HINWEIS

- Die Dauer jedes Segments im Profil beträgt 1/8 Ihrer voreingestellten Trainingszeit.
- Wenn keine Trainingszeit eingestellt ist, beträgt die Dauer jedes Segments  $\pm 20$  Sekunden und das Profil wird wiederholt neu gestartet, bis Sie das Training selbst beenden.

## Cardio-Modus.

- Betätigen Sie die Up/Down Taste, um ein Trainingsprogramm auszuwählen, wählen Sie HRC (Herzsymbol), bestätigen Sie mit MODE.
- Betätigen Sie die Up/Down Funktion, um das HRC-Ziel festzulegen:  
55% = 55% von 220 minus Alter..  
75% = 75% von 220 minus Alter.  
90% = 90% von 220 minus Alter.  
TA = Ziel (Standard 100)  
bestätigen Sie mit MODE.

- Wenn TA eingestellt ist, verwenden Sie die Up/ Down Funktion, um das Ziel (30~230), bestätigen Sie mit MODE.
  - Betätigen Sie die Up/Down Taste, um die Trainingszeit vor einzustellen, bestätigen Sie mit MODE.
- Drücken Sie die Taste „START/STOP“, um mit dem Training zu beginnen.
  - Mit „RESET“ gelangen Sie zurück zum Hauptmenü.

Im Cardio-Modus wird die Spannung automatisch auf einen Wert eingestellt, bei dem Ihre Herzfrequenz das voreingestellte HRC-Ziel erreicht.

## Watt Modus.

- Betätigen Sie die Up/Down Funktion, um ein Trainingsprogramm auszuwählen, wählen Sie Watt Kontrolle (W), bestätigen Sie mit MODE.
  - Betätigen Sie die Up/Down Funktion, um das Watt-Ziel festzulegen: 120 ist Standard voreingestellt (10~350) bestätigen Sie mit MODE.
  - Betätigen Sie die Up/Down Taste, um die Trainingszeit vor einzustellen, bestätigen Sie mit MODE.
- Drücken Sie die Taste „START/STOP“, um mit dem Training zu beginnen.
  - Mit „RESET“ gelangen Sie zurück zum Hauptmenü.

Im Watt-Modus wird die Spannung automatisch auf einen Wert eingestellt, bei dem Watt das voreingestellte Watt-Ziel erreicht.

## HINWEIS

- Der Watt-Parameter ist eine Berechnung der Drehzahl und des Spannungsniveaus.  
Wenn die Drehzahl höher ist, ist die Spannung niedriger.  
Wenn die Drehzahl niedriger ist, ist die Spannung höher.

## Benutzerprofil

- Betätigen Sie die Up/Down Funktion, um ein Trainingsprogramm auszuwählen, wählen Sie Benutzerprofil (U), bestätigen Sie mit MODE.
  - Betätigen Sie die Up/Down Funktion, um den Spannungspegel für das erste Profildsegment einzustellen. bestätigen Sie mit MODE.
  - Wiederholen Sie den Rest der Profildsegment Spannungsniveaus auf die gleiche Weise.
  - Halten Sie die MODE-Taste 2 Sekunden lang gedrückt, um das eingestellte Benutzerprofil zu bestätigen und zu speichern.
  - Betätigen Sie die Up/Down Taste, um die Trainingszeit vor einzustellen, bestätigen Sie mit MODE.
- Drücken Sie die Taste „START/STOP“, um mit dem Training zu beginnen.
  - Mit „RESET“ gelangen Sie zurück zum Hauptmenü.

Im Benutzerprogramm Profildmodus wird die Spannung automatisch auf ein voreingestelltes Profil eingestellt.

Die Dauer jedes Segments im Profil beträgt 1/8 Ihrer voreingestellten Trainingszeit.

## HINWEIS

- Ein Benutzerprogramm steht per Benutzer zur Verfügung.

## Recovery

- Die Taste RECOVERY ist nur aktiv, wenn ein Puls erkannt wurde.
- TIME zeigt „0:60“ (Sekunden) an und wird auf „0“ herabgezählt.
- Der Computer zeigt nach dem Countdown zum Testen den Herzfrequenz-Recovery-Status F1 bis F6 an. Die Herzfrequenz-Recovery-Stufe kann auf Grundlage folgender Tabelle ermittelt werden.
- Drücken Sie erneut auf die Taste RECOVERY, um zum Anfang zurückzukehren.

|    |                       |
|----|-----------------------|
| F1 | Herausragend          |
| F2 | Hervorragend          |
| F3 | Gut                   |
| F4 | Ausreichend           |
| F5 | Unterdurchschnittlich |
| F6 | Schlecht              |

### Body Fat (Körperfett)

- Drücken Sie auf die Taste BODY FAT, um mit der Fettmessung zu beginnen.)
- Bei der Messung müssen Nutzerinnen und Nutzer beide Hände an den Handgriffen haben. LCD-Anzeige “-” “- -” “- - -” “- - - -” für 8 Sekunden, bis der Computer die Messung abgeschlossen hat.
- LCD zeigt BMI und FAT % an .

#### HINWEIS

- Für diese Funktion sind korrekte „Nutzerprofileinstellungen“ erforderlich.

### Körperfett-Modus-Fehlercodes

- \*E-1  
Es wurde kein Herzfrequenzsignaleingang erkannt.
- \*E-4)  
Tritt auf, wenn FAT% und BMI unter 5 liegt oder 50 übersteigt.

## Bluetooth & APP

- Diese Konsole kann über Bluetooth eine Verbindung mit ein APP auf dem Smart-Gerät herstellen. (iOS & Android)
- Erstellen Sie die Bluetooth-Verbindung nur über den Verbindungsmodus auf die installierte APP auf ihr Smartphone oder Tablet
- Wenn die Konsole mit dem Smart-Gerät über Bluetooth verbunden ist, wird die Konsole ausgeschaltet.

#### HINWEIS

- Tunturi bietet nur die Option an, die Fitness-Konsole über eine Bluetooth-Verbindung anzuschließen. Daher ist Tunturi nicht für Schäden oder Fehlfunktionen von Produkten verantwortlich, die nicht von Tunturi sind.
- Überprüfen Sie die Website für zusätzliche Informationen

Diese Konsole kann einen Bluetooth-Herzfrequenzsender empfangen. Das Gerät muss nicht gekoppelt werden, da die Konsole den Herzfrequenzsender automatisch erkennt, wenn er sich in Reichweite befindet.

## Reinigung und Wartung

Das Gerät bedarf keiner besonderen Wartung. Das Gerät muss nicht neu kalibriert werden, wenn es gemäß den Anweisungen zusammengebaut, verwendet und gewartet wird.

#### WARNUNG

- erwenden Sie zur Reinigung des Geräts keine Lösungsmittel.
- Reinigen Sie das Gerät nach dem Gebrauch mit einem weichen aufnahmefähigen Lappen.
- Prüfen Sie regelmäßig, ob alle Schrauben und Muttern fest sind.
- Schmieren Sie die Gelenke, falls erforderlich.

## Störungen und Fehlfunktionen

Trotz kontinuierlicher Qualitätsüberwachung können vereinzelt an den Geräten durch einzelne Komponenten verursachte Funktionsstörungen auftreten. Dabei ist es nicht angebracht, das ganze Gerät zur Reparatur zu bringen, da der Fehler meistens durch Austauschen der defekten Komponente behoben werden kann.

Wenn das Gerät während des Gebrauchs nicht einwandfrei funktioniert, wenden Sie sich bitte umgehend an die für Sie zuständige Tunturi-Alleinvertretung. Beschreiben Sie das Problem, die Einsatzbedingungen und teilen Sie das Kaufdatum und die Typenbezeichnung und die Seriennummer Ihres Gerätes mit.

Wenden Sie sich an Ihre nationale Tunturi-Vertretung, wenn Sie Ersatzteile benötigen. Beschreiben Sie die Einsatzbedingungen und teilen Sie das Kaufdatum und die Seriennummer des Gerätes mit. Die Ersatzteilnummern finden Sie in der Liste am Ende dieser Anweisung. Nur Teile in der Ersatzteilliste dürfen verwendet werden.

-

### Fehlersuche:

- Wenn Sie in die Pedale treten und kein Signal erfolgt, überprüfen Sie bitte, ob das Kabel richtig angeschlossen ist.

#### HINWEIS

- Der Hauptbildschirm wird vier Minuten nach einem Trainingstopp ausgeschaltet.
- Wenn der Computer ungewöhnliche Dinge anzeigt, trennen Sie bitte die Spannungsversorgung fünf Sekunden lang, bevor Sie sie für einen vollständigen Neustart wieder anschließen

### Quietschende Rollen.

- Regelmäßige Anwendung: 2cc. des Schmierstoffs auf jedem hervorstehende Laufflächen alle drei Monate
- Beim Aufschieben Räder machen Lärm beim Gleiten Bewegung, Auftragen von 2cc.of das Schmiermittel auf jedem hervorstehende Laufflächen sofort.

#### WARNUNG

- Wir empfehlen die Verwendung eines Schmiermittels auf Silikonbasis.
- Bitte nicht zu viel Schmiermittel abwischen oder redundant Schmiermittel mit einem sauberen Tuch weil zu viel Schmiermittel kann Teppich Flecken oder Schmutzpartikel verursachen.

## Wackeliges oder instabiles Gefühl während des Gebrauchs

Wenn sich die Maschine während des Betriebs als instabil oder instabil anfühlt, ist es ratsam, die Stützfüße so einzustellen, dass der Rahmen auf die richtige Höhe gebracht wird. Lesen Sie die Anweisungen in diesem Handbuch in Abschnitt: "Gebrauch"

## Transport und Lagerung

### ⚠️ WARNUNG

- Tragen und bewegen Sie das Gerät mit mindestens zwei Personen.
- Bleiben Sie vor dem Gerät auf beiden Seiten und halten Sie die Handgriffe sicher fest. Heben Sie die Vorderseite des Geräts an, damit die Hinterseite auf die Räder gehoben wird. Bewegen Sie das Gerät und setzen Sie es vorsichtig ab. Stellen Sie das Gerät auf eine schützende Unterlage, um Schäden am Bodenbelag zu vermeiden.
- Bewegen Sie das Gerät vorsichtig über unebene Böden. Bewegen Sie das Gerät nicht auf den Rädern Treppen herauf, sondern tragen Sie es an den Handgriffen.
- Lagern Sie das Gerät an einem trockenen Ort mit möglichst wenig Temperaturschwankungen.

## Zusätzliche Informationen

### Verpackungsentsorgung

Staatliche Vorschriften sagen, dass wir die in Deponien entsorgen Abfallmengen verringern sollen. Daher bitten wir Sie, den gesamten Verpackungsabfall an öffentlichen Recyclingstellen abzugeben

### Entsorgung am ende der Lebensdauer

Wir bei Tunturi hoffen, dass Sie Ihren Fitnesstrainer viele Jahre mit Freude nutzen werden. Jedoch wird irgendwann die Zeit kommen, wenn die Ende der Nutzungsdauer des Fitnesstrainers erreicht ist. Gemäß den europäischen WEEE-Gesetzen sind Sie für eine geeignete Entsorgung des Fitnesstrainers bei einer anerkannten öffentlichen Entsorgungsstelle verantwortlich.

## Technische Daten

| Parameter                            | Maßeinheit | Wert                  |
|--------------------------------------|------------|-----------------------|
| Telemetrischer Herzfrequenzempfänger | Frequenz   | 5.3 Khz/<br>Bluetooth |
| Länge                                | cm<br>inch | 195,0<br>76.8         |
| Breite                               | cm<br>inch | 74,0<br>29.1          |
| Körpergröße                          | cm<br>inch | 162,0<br>63.8         |
| Gewicht                              | kg<br>lbs  | 73.5<br>161.7         |
| Max. Benutzergewicht                 | kg<br>lbs  | 120<br>265            |
| Adapter Spannung Strom               | V<br>Ma.   | 9V-DC<br>1.0 A        |

## Garantie

### Eigentümer-garantie für Tunturi fitnessgeräte.

#### Garantiebedingungen

Der Käufer ist berechtigt die den Handel mit Konsumgütern betreffenden gesetzlichen Rechte gemäß der nationalen Gesetzgebung in Anwendung zu bringen. Diese Rechte werden durch die Garantie nicht eingeschränkt. Bedingungen zu ersetzen. Die Eigentümer-Garantie gilt nur dann, wenn das Gerät in einer für entsprechende Geräte der Tunturi New Fitness BV zugelassenen Anwendungsumgebung verwendet wird. Die für das Gerät zugelassene Anwendungsumgebung wird in der Bedienungsanleitung des Geräts genannt.

#### Garantiedauer

Die Garantie gilt ab Kaufdatum. Die Garantiedauer kann sich je nach Land unterscheiden. Bitte wenden Sie sich an Ihren zuständigen Händler, um die Garantiedauer zu erfahren.

#### Garantieumfang

Unter keinen Umständen haften die Tunturi New Fitness BV oder der Tunturi-Vertragshändler für dem Käufer möglicherweise zugefügte indirekte Schäden wie Gebrauchsbeeinträchtigung oder Einkommensverlust oder anderen wirtschaftlichen Folgeschäden.

#### Einschränkungen der garantie

Die Garantie deckt durch Herstellung oder Material hervorgerufene Fehler des Fitnessgeräts in dessen ursprünglicher Zusammensetzung. Unter Voraussetzung, dass die Aufbau-, Pflege- und Gebrauchsanweisungen von Tunturi befolgt wurden, erstreckt sich die Garantie auf solche Fehler, die bei normaler und einem dem Gerät beiliegenden Anleitungsbuch entsprechender Benutzung auftreten können. Die Tunturi New Fitness BV und der Tunturi-Vertragshändler haften nicht für Fehler, die durch Faktoren außerhalb ihrer Einflussmöglichkeiten hervorgerufen wurden. Die Garantie gilt nur für den ursprünglichen Eigentümer und nur in den Ländern, in denen es einen von der Tunturi New Fitness BV autorisierten Importeur gibt. Die Garantie gilt nicht für solche Fitnessgeräte oder Teile, an denen ohne Zustimmung der Tunturi New Fitness BV Veränderungen vorgenommen worden sind. Die Garantie betrifft auch nicht solche Schäden, die durch natürlichen Verschleiß, fehlerhaften Gebrauch, Benutzung unter für das Gerät nicht vorgesehenen Umständen, Korrosion, Verladung oder Transport hervorgerufen wurden.

Ersatzleistungen aufgrund von Geräuschen, die beim Einsatz des Geräts auftreten, sind von der Garantie ausgeschlossen, sofern diese Geräusche den Gebrauch des Geräts nicht wesentlich beeinträchtigen und nicht durch einen Gerätefehler bedingt sind.

Die Garantie beinhaltet keine Wartungsmaßnahmen, wie Reinigung, Schmieren oder normales Kontrollieren der Teile, auch nicht solche Aufbaumaßnahmen, die der Kunde selbst ausführen kann und die kein spezielles Auseinander- oder Zusammenbauen des Fitnessgeräts erfordern. Zu solchen Maßnahmen gehört beispielsweise das Austauschen von Cockpits, Pedalen oder anderer entsprechender einfacher Teile. Andere als die durch einen autorisierten Tunturi-Vertreter ausgeführten Garantieleistungen werden nicht ersetzt. Durch unsachgemäße, d.h. nicht der Bedienungsanleitung entsprechenden, Bedienung, verfällt jedweder Garantieanspruch.

## Herstellereklärung

---

Tunturi New Fitness BV erklärt hiermit, dass das Produkt folgenden Normen und Richtlinien entspricht: EN 957 (HB), 89/336/EWG. Das Produkt trägt daher das CE-Kennzeichen.

01-2017

Tunturi New Fitness BV  
Purmerweg 1  
1311 XE Almere  
The Netherlands

## Haftungsausschluss

---

© 2017 Tunturi New Fitness BV  
Alle Rechte vorbehalten.

Produkt und Handbuch können geändert werden. Die technischen Daten können ohne Vorankündigung geändert werden.

## Français

Ce manuel français est une traduction de la version anglaise. Notez que la version anglaise est en tête dans le contenu lorsque des différences sont trouvées.

## Indice

|   |           |
|---|-----------|
| <b>Vélos elliptiques</b> .....                  | <b>40</b> |
| <b>Avertissements de sécurité</b> .....         | <b>40</b> |
| Sécurité électrique .....                       | 40        |
| <b>Instructions de montage</b> .....            | <b>41</b> |
| Description (fig. A) .....                      | 41        |
| Contenu de l'emballage (fig. B & C) .....       | 41        |
| Assemblage (fig. D) .....                       | 41        |
| Serrer les écrous et les boulons/vis .....      | 41        |
| <b>Exercices</b> .....                          | <b>41</b> |
| Instructions d'entraînement .....               | 41        |
| Fréquence cardiaque .....                       | 42        |
| <b>Usage</b> .....                              | <b>43</b> |
| <b>Alimentation électrique (Fig. E-1)</b> ..... | <b>43</b> |
| <b>Console (fig F)</b> .....                    | <b>43</b> |
| Explication des fonctions à l'écran .....       | 43        |
| Explication des boutons.....                    | 44        |
| Fonctionnement.....                             | 44        |
| Programmes .....                                | 45        |
| Récupération .....                              | 46        |
| Bluetooth & APP .....                           | 46        |
| <b>Nettoyage et maintenance</b> .....           | <b>46</b> |
| Défauts et dysfonctionnements .....             | 47        |
| <b>Transport et rangement</b> .....             | <b>47</b> |
| Informations supplémentaires.....               | 47        |
| <b>Données techniques</b> .....                 | <b>47</b> |
| <b>Garantie</b> .....                           | <b>47</b> |
| <b>Déclaration du fabricant</b> .....           | <b>48</b> |
| <b>Limite de responsabilité</b> .....           | <b>48</b> |

## Vélos elliptiques

Bienvenue dans l'univers de Tunturi Fitness !

Merci pour votre achat de cet élément d'équipement Tunturi. Tunturi offre toute une gamme d'équipements de fitness professionnels, notamment des vélos elliptiques, tapis de course, vélos d'appartement, rameurs et accessoires. Les équipements Tunturi sont parfaits pour toute la famille, quel que soit le niveau de forme de ses membres. Pour en savoir plus, visitez notre site Web [www.tunturi.com](http://www.tunturi.com)

## Avertissements de sécurité

### ⚠ AVERTISSEMENT

- Lisez les avertissements de sécurité et les instructions. Le non respect des avertissements de sécurité et des instructions est une source de blessure et de dégâts de l'équipement. Conservez les avertissements de sécurité et les instructions pour référence ultérieure.

### ⚠ AVERTISSEMENT

- Les systèmes de suivi de la fréquence cardiaque peuvent être inexacts. Un exercice excessif peut entraîner des blessures graves voire mortelles. Si vous vous sentez défaillir, interrompez immédiatement l'exercice.

- L'équipement est uniquement adapté à un usage domestique. L'équipement ne convient pas à un usage commercial.
- La durée d'utilisation maximum est limitée à 3 heures par jour.
- L'emploi de cet équipement par des enfants ou des personnes affectés d'un handicap physique, sensoriel, mental ou moteur, voire dont l'expérience ou les connaissances s'avèrent insuffisantes est une source de risques. Les personnes chargées de leur sécurité doivent leur fournir des instructions explicites ou superviser leur usage de l'équipement.
- Avant de commencer vos exercices, effectuez un bilan de santé auprès d'un médecin.
- Si vous êtes pris de nausées ou de vertiges ou sentez d'autres symptômes normaux pendant l'entraînement, interrompez immédiatement la session et consultez votre médecin.
- Afin d'éviter toutes douleurs et tensions musculaires, commencez vos séances par des échauffements et terminez-les par une récupération. N'oubliez pas de vous étirer après vos exercices.
- L'équipement est uniquement adapté à un usage intérieur. L'équipement ne convient pas à un usage extérieur.
- Utilisez l'équipement uniquement dans des environnements correctement ventilés. N'utilisez pas l'équipement dans des endroits exposés aux courants d'air afin de ne pas vous enrhumers.
- Utilisez l'équipement uniquement à une température ambiante entre 10°C~35°C/ 50°F~95°F. Rangez l'équipement uniquement à une température ambiante entre 5°C~45°C/ 41°F~113°F.
- N'utilisez et ne rangez pas l'équipement dans un environnement humide. L'humidité de l'air ne doit jamais dépasser 80 %.
- Utilisez l'équipement uniquement pour son usage prévu. N'utilisez pas l'équipement pour d'autres usages que ceux décrits dans le manuel.
- N'utilisez pas l'équipement si l'une de ses pièces est endommagée ou défectueuse. Si une pièce est endommagée ou défectueuse, contactez votre revendeur.
- Maintenez vos mains, vos pieds et les autres parties de votre corps à l'écart des pièces mobiles.
- Maintenez votre chevelure à l'écart des pièces mobiles.
- Portez des vêtements et des chaussures adaptés.
- Maintenez les vêtements, bijoux et autres objets à l'écart des pièces mobiles.
- Assurez-vous qu'une seule personne utilise l'équipement à la fois. L'équipement ne doit pas être utilisé par des personnes pesant plus de 120 kg (264 lbs)..
- N'ouvrez pas l'équipement sans consulter votre revendeur.

## Sécurité électrique

(Uniquement pour les équipements à alimentation électrique)

- Avant usage, assurez-vous toujours que la tension secteur est identique à celle de la plaque signalétique de l'équipement.
- N'utilisez pas de rallonge.
- Maintenez le câble secteur à l'écart de la chaleur, de l'huile et des bords coupants.
- N'altérez et ne modifiez aucunement le câble secteur ou la fiche secteur.
- N'utilisez pas l'équipement si le câble secteur ou la fiche secteur est endommagé ou défectueux. Si le câble secteur ou la fiche secteur est endommagé ou défectueux, contactez votre revendeur.
- Déroulez toujours complètement le câble secteur.
- Ne passez pas le câble secteur sous l'équipement. Ne passez pas le câble secteur sous un tapis. Ne placez aucun objet sur le câble secteur.



- Assurez-vous que le câble secteur ne pend pas sur le bord d'une table. Assurez-vous que le câble secteur ne peut pas être happé par accident ou faire trébucher.
- Ne laissez pas l'équipement sans surveillance si la fiche secteur est insérée dans la prise murale.
- Ne tirez pas sur le câble secteur pour retirer la fiche secteur de la prise murale.
- Retirez la fiche secteur de la prise murale lorsque l'équipement n'est pas utilisé, avant l'assemblage et le démontage et avant le nettoyage et la maintenance.

## Instructions de montage

### Description (fig. A)

Votre vélo elliptique est un élément d'équipement de fitness stationnaire servant à simuler la marche ou la course sans exercer de pression excessive sur les jointures.

### Contenu de l'emballage (fig. B & C)

- L'emballage contient les pièces illustrées en fig. B.
- L'emballage contient les fixations illustrées en fig. C. Voir la section "Description".

#### NOTE

- Si une pièce manque, contactez votre revendeur.

### Assemblage (fig. D)

#### AVERTISSEMENT

- Assemblez l'équipement dans l'ordre indiqué.
- Deux personnes au moins sont nécessaires pour transporter et déplacer l'équipement.

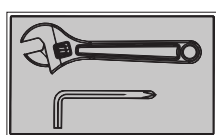
#### PRÉCAUTION

- Placez l'équipement sur une surface plane et ferme.
- Placez l'équipement sur une base protectrice pour éviter d'endommager la surface du sol.
- Prévoyez un dégagement d'au moins 100 cm autour de l'équipement.
- Consultez les illustrations pour l'assemblage correct de l'équipement.

#### NOTE

- Conservez les outils livrés avec ce produit après son montage, pour d'éventuels entretiens.

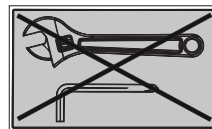
### Serrer les écrous et les boulons/vis



Serrez fermement tous les écrous et vis après que tous les composants aient été assemblés au cours des étapes actuelles et précédentes.

#### NOTE

- Ne pas serrer excessivement les composants présentant une fonction pivotante.
- Assurez-vous que tous les composants mobiles pivotent sans entrave.



Ne pas serrer les écrous et les vis/boulons à cette étape.

## Exercices

Un exercice doit être suffisamment léger mais prolongé. L'exercice aérobique repose sur l'amélioration de l'absorption maximum d'oxygène par le corps, améliorant à son tour l'endurance et la forme. Vous devez transpirer mais sans jamais être à bout de souffle durant l'exercice. Pour atteindre et entretenir un niveau de forme basique, exercez-vous au moins 3 fois par semaine, par session de 30 minutes. Accroissez le nombre des sessions d'exercice pour améliorer votre niveau de forme. Il est profitable de combiner un exercice régulier et un régime sain. Une personne suivant un régime doit s'exercer au quotidien, au début 30 minutes ou moins pour chaque session afin d'accroître ensuite progressivement le temps d'exercice quotidien pour atteindre une heure. Commencez vos exercices à une vitesse lente et avec une faible résistance pour éviter de soumettre le système cardiovasculaire à une contrainte excessive. À mesure de l'amélioration de votre forme, accroissez progressivement la vitesse et la résistance. L'efficacité de votre exercice est mesurable en suivant votre fréquence cardiaque et votre pouls.

### Instructions d'entraînement

L'utilisation de votre appareil de fitness vous procurera plusieurs avantages : il vous permettra d'améliorer votre forme physique, de tonifier vos muscles et, associé à un régime hypocalorique, de perdre du poids.

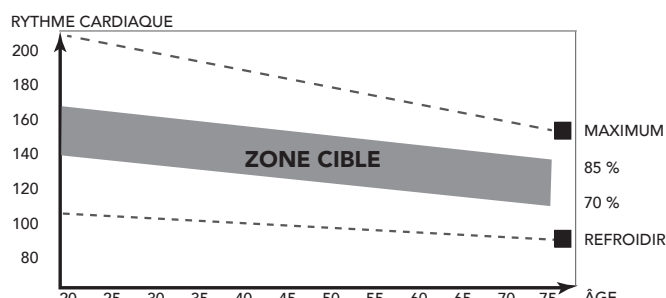
#### Phase d'échauffement

Cette étape favorise la circulation du sang dans tout le corps et le bon fonctionnement des muscles. Elle réduit également le risque de crampes et de lésions musculaires.

Il est conseillé de faire quelques exercices d'étirement, comme ceux qui sont indiqués ci-dessous. Chaque étirement doit être maintenu pendant environ 30 secondes. Ne forcez pas ou n'étirez pas excessivement un muscle. Si vous sentez qu'une position vous fait mal, ARRÊTEZ.

#### Phase d'exercice

C'est l'étape principale de votre entraînement. Après une utilisation régulière de l'appareil, vous sentirez que les muscles de vos jambes ont gagné en souplesse. Il est très important de maintenir un rythme régulier tout au long de la séance. Le rythme de travail doit être suffisant pour faire monter votre rythme cardiaque dans la zone cible indiquée sur le graphique ci-dessous.



Cette étape doit durer au moins 12 minutes, bien que l'on commence généralement à environ 15-20 minutes.

## Phase de refroidissement

Cette étape a pour objectif de laisser votre système cardiovasculaire et vos muscles reprendre leur rythme normal. Il s'agit d'une répétition de l'exercice d'échauffement. Baissez le rythme et continuez pendant environ 5 minutes. Vous devez ensuite refaire les exercices d'étirement et souvenez-vous de ne pas forcer ou trop étirer un muscle dans une certaine position.

À mesure que vous améliorerez votre forme, vous ressentirez peut-être le besoin de vous entraîner plus longtemps ou de faire des entraînements plus poussés. Il est conseillé de s'entraîner au moins trois fois par semaine et, si possible, d'espacer les séances régulièrement tout au long de la semaine.

## Tonification musculaire

Pour tonifier vos muscles à l'aide de l'appareil de fitness, vous devrez sélectionner une résistance assez élevée. Les muscles de vos jambes seront davantage sollicités et vous ne pourrez peut-être pas vous entraîner aussi longtemps que vous le voudriez. Si vous souhaitez également améliorer votre forme, vous devrez modifier votre programme d'entraînement. Entraînez-vous normalement pendant les phases d'échauffement et de refroidissement, mais vers la fin de l'exercice, augmentez la résistance en faisant travailler vos jambes davantage.

Vous devrez réduire la vitesse pour maintenir votre rythme cardiaque dans la zone cible.

## Perte de poids

Ici, le facteur important est l'effort que vous déployez. Plus vous entraînez longtemps et de manière soutenue, plus vous brûlez de calories. C'est en réalité le même principe que pour l'entraînement d'amélioration de la forme ; la différence est l'objectif recherché.

## Fréquence cardiaque

### Mesure du pouls (pulsomètres)

Le pouls est mesuré par des capteurs dans les poignées lorsque l'utilisateur touche les deux capteurs à la fois.

La mesure la plus précise du pouls nécessite une peau légèrement humide et un contact constant des pulsomètres. Si la peau est trop sèche ou humide, la mesure du pouls peut devenir moins précise.

#### NOTE

- N'utilisez pas les pulsomètres en même temps que la sangle thoracique de fréquence cardiaque.
- Si vous réglez une fréquence cardiaque limite pour votre exercice, une alarme retentit dès qu'elle est dépassée.

### Mesure de la fréquence cardiaque (sangle thoracique de fréquence cardiaque)

#### NOTE

- Une sangle de poitrine ne vient pas standard avec cet entraîneur. Lorsque vous souhaitez utiliser une sangle de poitrine sans fil, vous devez l'acheter en tant qu'accessoire.

La sangle thoracique de fréquence cardiaque assure la mesure de fréquence cardiaque la plus précise. La fréquence cardiaque est mesurée par un récepteur combiné à la sangle thoracique de fréquence cardiaque. Une mesure précise de la fréquence cardiaque nécessite des électrodes de sangle émettrice légèrement humides et en contact constant avec la peau. Si les électrodes sont trop sèches ou humides, la mesure de la fréquence cardiaque peut devenir moins précise.

## AVERTISSEMENT

- Si vous portez un stimulateur cardiaque, consultez votre médecin avant d'utiliser une sangle thoracique de fréquence cardiaque.

## PRÉCAUTION

- Si plusieurs dispositifs de mesure de la fréquence cardiaque sont proches les uns des autres, assurez-vous qu'ils sont au moins distants de 2 mètres.
- En présence d'un récepteur unique de fréquence cardiaque pour plusieurs émetteurs, assurez-vous qu'une seule personne avec un émetteur est à portée de transmission.

## NOTE

- N'utilisez pas les pulsomètres en même temps que la sangle thoracique de fréquence cardiaque.
- Portez toujours la sangle thoracique de fréquence cardiaque sous vos vêtements, en contact direct avec votre peau. Ne portez pas votre sangle thoracique de fréquence cardiaque par-dessus vos vêtements. Si vous portez la sangle thoracique de fréquence cardiaque sur vos vêtements, il n'y a pas de signal.
- Si vous réglez une fréquence cardiaque limite pour votre exercice, une alarme retentit dès qu'elle est dépassée.
- L'émetteur transmet la fréquence cardiaque à une console jusqu'à une distance de 1,5 mètre. Si les électrodes ne sont pas suffisamment mouillées, votre fréquence cardiaque ne s'affiche pas.
- Certaines fibres des vêtements (par ex. polyester, polyamide) créent de l'électricité statique qui peut empêcher la mesure précise de la fréquence cardiaque.
- Les téléphones portables, télévisions et autres appareils électriques créent un champ électromagnétique susceptible d'empêcher une mesure précise de la fréquence cardiaque.

## Fréquence cardiaque maximum (durant l'exercice)

La fréquence cardiaque maximum est la fréquence la plus élevée qu'une personne peut atteindre en toute sécurité sous la contrainte de l'exercice. La formule suivante sert à calculer la fréquence cardiaque maximum moyenne :  $220 - \text{ÂGE}$  La fréquence cardiaque maximum varie d'une personne à l'autre.

## AVERTISSEMENT

- Assurez-vous de ne pas dépasser votre fréquence cardiaque maximum durant l'exercice. Si vous appartenez à un groupe à risque, consultez un médecin.

## Débutant

### 50-60% de fréquence cardiaque maximum

Adapté aux débutants, aux personnes suivant leur poids, aux convalescents et aux personnes ne s'exerçant pas depuis un certain temps. Exercez-vous au moins trois fois par semaine, par session de 30 minutes.

## Avancé

### 60-70% de fréquence cardiaque maximum

Adapté aux personnes souhaitant améliorer et entretenir leur forme. Exercez-vous au moins trois fois par semaine, par session de 30 minutes.

## Expert

### 70-80% de fréquence cardiaque maximum

Adapté aux personnes les plus en forme, habituées aux exercices d'endurance prolongés.

## Usage

### Réglage des pieds de support

L'équipement comporte 6 pieds de support. Si l'équipement est instable, vous pouvez régler les pieds de support.

- Tournez les pieds de support, selon les besoins, pour placer l'équipement en position stable.
- Serrez les écrous d'arrêt pour bloquer les pieds de support.

#### NOTE

- La stabilité de la machine est maximisée lorsque tous les pieds de support sont complètement tournés vers l'intérieur. Vous devez donc commencer à mettre la machine de niveau en tournant tous les pieds de support vers l'intérieur avant de sortir les pieds de support requis pour stabiliser la machine

#### AVERTISSEMENT

- (Abb. E-2) Afin d'éviter les dommages sur votre sol, assurez-vous que la pièce U shape holder ne puisse pas toucher le sol lors de l'utilisation de votre équipement. Si nécessaire, régler adjusting cushion ( Voir Etape d'assemblage D-1C-A)

### Réglage de la console

La console est réglable selon la hauteur et la position d'exercice de l'utilisateur.

- Desserrez le bouton de réglage de la console.
- Amenez la console à la position requise.
- Serrez le bouton de réglage de la console.

## Alimentation électrique (Fig. E-1)

L'alimentation de l'appareil d'entraînement est externe. Reportez-vous à l'illustration pour situer l'entrée de l'alimentation de l'appareil d'entraînement.

#### NOTE

- Fixer le transformateur sur la machine avant de le brancher dans une prise murale.
- Toujours retirer le cordon d'alimentation lorsque la machine n'est pas en fonctionnement

## Console (fig F)



1. Écran
2. Assistance tablette/livre
3. Boutons

#### PRÉCAUTION

- Maintenez la console à l'écart de la lumière directe du soleil.
- Séchez la surface de la console dès qu'elle est couverte de gouttes de sueur.
- Ne vous appuyez pas sur la console.
- Touchez l'affichage uniquement avec le bout du doigt. Assurez-vous de ne pas toucher l'affichage avec vos ongles ou des objets coupants.

#### NOTE

- La console passe en mode de veille si l'équipement n'est pas utilisé pendant 4 minutes.

## Explication des fonctions à l'écran

### Time (Durée)

- La durée est additionnée sans définir de valeur cible.
- Lorsqu'une valeur cible est fixée, la durée est comptée à rebours, de la valeur cible à 0 et l'alarme résonnera ou clignotera. La durée continuera à s'additionner si l'entraînement n'est pas arrêté une fois l'objectif atteint.
- La durée s'arrête si aucun signal n'est transmis au moniteur pendant 4 secondes au cours de l'entraînement.
- Plage 0:00~99:59

### Speed (Vitesse)

- Affiche la vitesse actuelle d'entraînement.
- Plage 0.0 ~ 99.9
- SPEED affiche « 0.0 » si aucun signal n'est transmis au moniteur pendant 4 secondes au cours de l'entraînement.

### RPM (tr/min)

- Affichage des rotations par minute
- Plage 0 ~ 999
- RPM affiche « 0 » si aucun signal n'est transmis au moniteur pendant 4 secondes au cours de l'entraînement.

## Watt

- Affiche la puissance actuelle de l'entraînement.
- Portée 0 ~ 999

## Level

- Indique le réglage du niveau de tension, lors du réglage de la résistance, pendant 3 secondes.

## Distance

- La distance parcourue est additionnée sans définir de valeur cible.
- Lorsqu'une valeur cible est fixée, la distance est comptée à rebours, de la valeur cible à 0 avec une alarme sonore ou clignotante. La distance parcourue continuera à s'additionner si l'entraînement n'est pas arrêté une fois l'objectif atteint.
- Portée 0.00~99.99

## Calories

- Les calories s'additionnent sans définir de valeur cible.
- Lorsqu'une valeur cible est fixée, les calories sont comptées à rebours, de la valeur cible à 0 avec une alarme sonore ou clignotante. Les calories continueront à s'additionner si l'entraînement n'est pas arrêté une fois l'objectif atteint.
- Portée 0~999

### NOTE

- Ces données sont fournies à titre indicatif pour comparer entre différentes séances d'entraînement ; elles ne doivent pas être utilisées dans le cadre d'un traitement médical.

## Pulse (Pouls)

- Le pouls actuel s'affiche après 6 secondes de la détection par la console.
- La console affiche « P » s'il n'y a aucun signal de pouls pendant 6 secondes.
- L'alarme de pouls résonne lorsque le pouls actuel est supérieur au pouls cible.
- Plage 0-30~230 BPM

## BAI™

- Affichage de la consommation BAI valeur BAI pendant l'entraînement
- Plage d'affichage 0/999

### REMARQUE

- Le BAI (Body Activity Index) ou Indice d'activité corporelle est la somme du volume d'entraînement effectif.
- Volume d'entraînement = Intensité de l'entraînement x Durée de l'entraînement.

Le BAI calcule le volume d'entraînement effectif en fonction de votre fréquence cardiaque, de votre âge, de votre sexe et de la durée. Pendant l'entraînement, vous pouvez voir que le BAI s'accumule. Dès que vous avez terminé une séance d'entraînement, vous pouvez obtenir un point BAI total pour cette séance, qui correspond au volume total d'entraînement effectif de cette séance.

Si vous vous entraînez plus durement et dans une zone de fréquence cardiaque plus élevée, vous obtenez des points BAI plus rapidement. Si vous vous entraînez moins durement et dans une zone de fréquence cardiaque moins élevée, vous obtenez des points BAI plus lentement. Nous vous recommandons de vous entraîner en accumulant 100 points BAI chaque semaine pour améliorer vos capacités cardio.

## Explication des boutons

### Haut (bouton rotatif)

- Augmente le niveau de résistance pendant l'entraînement.
- Tourner le bouton rotatif dans le sens des aiguilles d'une montre pour augmenter la valeur

### Bas (bouton rotatif)

- Réduit le niveau de résistance pendant l'entraînement.
- Tourner le bouton rotatif dans le sens contraire des aiguilles d'une montre pour diminuer la valeur.

### Mode/Enter (mode/entrée)

- Choisir chaque fonction en appuyant sur la touche MODE/ENTER.

### Reset (Réinitialisation)

- En mode réglage, appuyer une fois sur la touche RESET pour réinitialiser les chiffres actuels des fonctions.
- Maintenir la touche RESET enfoncée pendant 2 secondes pour réinitialiser tous les chiffres des fonctions.

### Start/ Stop

- Démarrer ou arrêter ( pause ) l'exercice.

### Body Fat (Masse grasse)

- Permet de mesurer la masse grasse en % et l'IMC.

### Recovery (Récupération)

- Après la détection du signal d'impulsion par la console, appuyer sur la touche RECOVERY (récupération) pour passer en mode récupération et suivre la capacité de récupération du rythme cardiaque

## Fonctionnement

### Marche

- Branchez l'alimentation électrique : l'ordinateur se met sous tension et affiche tous les segments sur l'écran LCD pendant 2 secondes.
- Appuyer sur une touche pour mettre en marche la console en mode veille.
- Commencer à pédaler pour mettre en marche la console en mode veille.

L'écran LCD affichera tous les segments (Fig. F-01)

### Définir un utilisateur

- Sélectionnez l'utilisateur, tournez la molette pour sélectionner U1-U4, confirmez en appuyant sur MODE.
- Sélectionnez le sexe, tournez la molette pour sélectionner Masculin/ Féminin, confirmez en appuyant sur MODE.
- Définissez l'âge (A), tournez la molette pour sélectionner 1-99, confirmez en appuyant sur MODE.
- Définissez la taille (H), tournez la molette pour sélectionner 100-200, confirmez en appuyant sur MODE.
- Définissez le poids (P), tournez la molette pour sélectionner 20-150, confirmez en appuyant sur MODE.

## Sélection de l'entraînement

Utilisez la molette « VERS LE HAUT/VERS LE BAS » pour sélectionner :

|          |                              |
|----------|------------------------------|
| M        | Manuel                       |
| P1 ~ P12 | Profil de programme 1 ~ 12   |
| HRC      | Contrôle du rythme cardiaque |
| W        | Watt control                 |
| U        | Programme utilisateur        |

## Mettre hors tension

Le moniteur passe automatiquement en mode SLEEP (veille) si aucun signal n'est transmis au moniteur pendant 4 minutes.

## Programmes

### Quick start (démarrage rapide)

- Appuyez sur la touche « START/STOP » pour commencer votre entraînement sans configurer aucun paramètre au préalable.
- Utilisez la molette « VERS LE HAUT/VERS LE BAS » pour ajuster le niveau de résistance pendant l'entraînement.

### Fin de l'entraînement

- Appuyez sur « START/STOP » en mode entraînement pour arrêter/mettre en pause votre entraînement.  
Pour relancer votre entraînement, appuyez sur le bouton « START/STOP » en mode pause.
- Appuyez sur la touche « RESET » (en mode Pause) pour réinitialiser toutes les données d'entraînement.
- Maintenez la touche « RESET » enfoncée pendant 2 secondes pour réinitialiser la console. (Les données d'entraînement actives seront perdues)

### Mode manuel

- Utilisez la molette « VERS LE HAUT/VERS LE BAS » pour sélectionner le programme d'entraînement, sélectionnez le mode M (manuel) et appuyez sur « MODE » pour confirmer votre choix.
- Utilisez la molette « VERS LE HAUT/VERS LE BAS » pour régler le niveau de tension et appuyez sur « MODE » pour confirmer votre choix.
- Utilisez la molette « VERS LE HAUT/VERS LE BAS » pour prédéfinir une durée d'entraînement et appuyez sur « MODE » pour confirmer votre choix.
- Utilisez la molette « VERS LE HAUT/VERS LE BAS » pour prédéfinir la distance de l'entraînement et appuyez sur « MODE » pour confirmer votre choix.
- Utilisez la molette « VERS LE HAUT/VERS LE BAS » pour prédéfinir les calories de l'entraînement et appuyez sur « MODE » pour confirmer votre choix.
- Utilisez la molette « VERS LE HAUT/VERS LE BAS » pour prédéfinir une limite pour les pulsations et appuyez sur « MODE » pour confirmer votre choix.

### REMARQUE

- Si vous vous fixez plusieurs objectifs, l'entraînement s'arrêtera après chaque objectif atteint.
  - Si vous laissez un objectif vide, il ne sera pas considéré comme une limite prédéfinie.
  - Si vous fixez une limite pour les pulsations, l'entraînement ne s'arrêtera pas lorsque vous dépassez la limite. Une alarme sonore avertira l'utilisateur du dépassement de la limite.
- Appuyez sur la touche « START/STOP » pour commencer l'entraînement

- Utilisez la molette « VERS LE HAUT/VERS LE BAS » pour régler le niveau de résistance. Le niveau de charge est affiché dans la fenêtre « LEVEL ».

### Profil de programme 1-12

- Utilisez la molette « VERS LE HAUT/VERS LE BAS » pour sélectionner le programme d'entraînement, sélectionnez un des profils prédéfinis et appuyez sur « MODE » pour confirmer votre choix.
- Utilisez la molette « VERS LE HAUT/VERS LE BAS » pour régler le niveau de tension et appuyez sur « MODE » pour confirmer votre choix. Le profil complet sera adapté proportionnellement.
- Utilisez la molette « VERS LE HAUT/VERS LE BAS » pour prédéfinir une durée d'entraînement et appuyez sur « MODE » pour confirmer votre choix.
- Appuyez sur la touche « START/STOP » pour commencer l'entraînement
- Utilisez la molette « VERS LE HAUT/VERS LE BAS » pour régler le niveau de résistance. Le profil complet sera adapté proportionnellement. Le niveau de charge est affiché dans la fenêtre « LOAD ».

En mode de profil de programme, la tension sera automatiquement ajustée à un profil prédéfini.

### REMARQUE

- La durée de chaque segment du profil correspond à 1/8 de votre durée d'entraînement prédéfinie.
- Si aucune durée d'entraînement n'est définie, la durée de chaque segment sera de  $\pm 20$  secondes, et le profil sera redémarré à plusieurs reprises jusqu'à ce que vous arrêtiez vous-même l'entraînement.

### Mode Cardio.

- Utilisez la molette « VERS LE HAUT/VERS LE BAS » pour sélectionner le programme d'entraînement, sélectionnez rythme cardiaque (icône de cœur) et appuyez sur « MODE » pour confirmer votre choix.
- Utilisez la molette « VERS LE HAUT/VERS LE BAS » pour définir le rythme cardiaque cible :
 

|     |   |       |                  |
|-----|---|-------|------------------|
| 55% | = | 55%   | de 220 moins âge |
| 75% | = | 75%   | de 220 moins âge |
| 90% | = | 90%   | de 220 moins âge |
| TA  | = | cible | (100 par défaut) |

 appuyez sur « MODE » pour confirmer votre choix.
- Lorsque TA est défini, utilisez la molette « VERS LE HAUT/VERS LE BAS » pour définir la cible (30-230) et appuyez sur « MODE » pour confirmer votre choix.
- Utilisez la molette « VERS LE HAUT/VERS LE BAS » pour prédéfinir une durée d'entraînement et appuyez sur « MODE » pour confirmer votre choix.
- Appuyez sur la touche « START/STOP » pour commencer l'entraînement
- Utilisez « RESET » pour revenir au menu principal.

En mode Cardio, la tension sera automatiquement ajustée à une insensibilité où votre fréquence cardiaque atteindra la cible prédéfinie.

## Mode Watt.

- Utilisez la molette « VERS LE HAUT/VERS LE BAS » pour sélectionner le programme d'entraînement, sélectionnez Watt Control (W) et appuyez sur « MODE » pour confirmer votre choix.
- Utilisez la molette « VERS LE HAUT/VERS LE BAS » pour définir l'objectif de Watts : 120 est la valeur par défaut (10-350) appuyez sur « MODE » pour confirmer votre choix.
- Utilisez la molette « VERS LE HAUT/VERS LE BAS » pour prédéfinir une durée d'entraînement et appuyez sur « MODE » pour confirmer votre choix.
- Appuyez sur la touche « START/STOP » pour commencer l'entraînement
- Utilisez « RESET » pour revenir au menu principal.

En mode Watt, la tension sera automatiquement ajustée à une insensibilité où la valeur de Watts atteindra l'objectif prédéfini.

### ⚠ REMARQUE

- Le paramètre Watt est un calcul du nombre de rotations par minute et du niveau de tension.  
Plus le nombre de rotations par minute sera élevé, moins la tension sera élevée.  
Moins le nombre de rotations par minute sera élevé, plus la tension sera élevée.

## Profil d'utilisateur

- Utilisez la molette « VERS LE HAUT/VERS LE BAS » pour sélectionner le programme d'entraînement, sélectionnez Profil d'utilisateur (P) et appuyez sur « MODE » pour confirmer votre choix.
- Utilisez la molette « VERS LE HAUT/VERS LE BAS » pour régler le niveau de tension pour le premier segment du profil et appuyez sur « MODE » pour confirmer votre choix.
- Répétez le reste des niveaux de tension du segment de profil de la même manière.
- Maintenez enfoncé le bouton « MODE » pendant 2 secondes pour confirmer et enregistrer le profil d'utilisateur.
- Utilisez la molette « VERS LE HAUT/VERS LE BAS » pour prédéfinir une durée d'entraînement et appuyez sur « MODE » pour confirmer votre choix.
- Appuyez sur la touche « START/STOP » pour commencer l'entraînement
- Utilisez « RESET » pour revenir au menu principal.

En mode de profil de programme utilisateur, la tension sera automatiquement ajustée au profil prédéfini.

La durée de chaque segment du profil correspond à 1/8 de votre durée d'entraînement prédéfinie.

### ⚠ REMARQUE

- Un programme utilisateur est disponible par utilisateur.

## Récupération

- La touche RECOVERY (récupération) est valide si un pouls est décelé.
- TIME (durée) affiche « 0:60 » (secondes) et compte à rebours jusqu'à 0.
- L'ordinateur affiche F1 à F6 après le compte à rebours afin de tester l'état de récupération du rythme cardiaque. Le niveau de récupération du rythme cardiaque peut être retrouvé dans le graphique ci-après.
- Appuyez à nouveau sur la touche RECOVERY (récupération) pour revenir au début.

|    |                        |
|----|------------------------|
| F1 | Remarquable            |
| F2 | Excellent              |
| F3 | Bon                    |
| F4 | Acceptable             |
| F5 | Inférieur à la moyenne |
| F6 | Mauvais                |

## Body Fat ( Masse grasse)

- Appuyer sur la touche BODY FAT (masse grasse) pour démarrer la mesure de la masse grasse.
- Pendant la mesure, les utilisateurs doivent tenir les poignées des deux mains. L'écran LCD affiche « - » « - - » « - - - » « - - - - » pendant 8 secondes jusqu'à ce que l'ordinateur finisse la mesure.
- L'écran LCD affichera le BMI (IMC) et le FAT % (% de graisse) .

### ⚠ REMARQUE

- Des réglages de profil utilisateur corrects sont nécessaires pour cette fonction.

## Code d'erreur du mode masse grasse

- \*E-1
- Aucun signal de rythme cardiaque n'est détecté.
- \*E-4
- Se produit lorsque FAT% (% de masse grasse) et le résultat de BMI (indice de masse corporelle) sont inférieurs à 5 ou supérieurs à 50.

## Bluetooth & APP

- Cette console peut être connectée à l'APP sur l'appareil intelligent via Bluetooth.  
(iOS & Android)
- Établissez la connexion Bluetooth uniquement via le mode de connexion sur l'application installée sur votre périphérique intelligent.
- Une fois la console connectée à l'appareil intelligent via Bluetooth elle s'éteindra.

### ⚠ NOTE

- Tunturi vous fournit seulement la possibilité de raccorder votre console de fitness via une connexion Bluetooth. Par conséquent, Tunturi ne peut être tenu responsable des dommages ou du mauvais fonctionnement des produits autres que ceux de Tunturi.
- Consultez le site Web pour plus d'informations.

Cette console peut recevoir un émetteur de fréquence cardiaque Bluetooth. Il n'est pas nécessaire d'apparier l'appareil, car la console détectera automatiquement l'émetteur de fréquence cardiaque lorsque celui-ci est à portée.

## Nettoyage et maintenance

Cet équipement ne nécessite aucune maintenance spéciale. L'équipement n'a besoin d'aucune calibration après son assemblage, son utilisation et son entretien conformément aux instructions.

### ⚠ AVERTISSEMENT

- N'utilisez aucun solvant pour nettoyer l'équipement.
- Nettoyez l'équipement avec un chiffon doux et absorbant après chaque usage.
- Vérifiez régulièrement le serrage de tous les écrous et vis.
- Si nécessaire, lubrifiez les joints.

## Défauts et dysfonctionnements

En dépit d'un contrôle continu de la qualité, l'appareil peut présenter des défauts ou des anomalies de fonctionnement provenant de certains de ses composants. Dans ce cas, il n'est pas cependant nécessaire d'aller faire réparer votre appareil, le problème pouvant bien souvent être résolu par simple changement de la pièce défectueuse.

Contactez votre distributeur au cas où vous remarqueriez un défaut ou un mauvais fonctionnement de votre l'appareil ou si vous avez besoin de pièces de rechange.

Indiquez-lui la nature du problème, les conditions d'utilisation, la date d'achat, le modèle et le numéro de série.

Vous trouverez la liste des pièces détachées à la fin de ce mode d'emploi. Seules des pièces mentionnées dans la liste des pièces de rechange peuvent être utilisées dans l'appareil.

### Résolution des pannes :

- Vérifier que le câble est bien branché s'il n'y a aucun signal lorsque vous pédalez.

#### NOTE

- L'écran principal s'éteindra si l'entraînement est à l'arrêt pendant 4 minutes.
- Si l'ordinateur affiche des anomalies, débranchez l'alimentation électrique pendant 5 secondes avant de le rebrancher pour une remise à zéro.

### Rouleaux qui grincent.

- L'utilisation régulière: Appliquer 2cc. du lubrifiant sur les deux rails, chaque les trois mois.
- Quand les roues sont trop bruyants, appliquer 2cc. du lubrifiant à deux rails.

#### AVERTISSEMENT

- Nous vous recommandons d'utiliser un lubrifiant à base de silicone.
- Trop de lubrifiant peut des dommages de tapis. Essuyez donc plus tross de lubrifiant avec un chiffon sec.

### Sensation fragile ou instable pendant l'utilisation.

Si la machine semble instable ou instable pendant le fonctionnement, il est conseillé de régler les pieds de support pour amener le cadre à la bonne hauteur. Lisez les instructions de ce manuel dans la section: "Usage"

## Transport et rangement

#### AVERTISSEMENT

- Deux personnes au moins sont nécessaires pour transporter et déplacer l'équipement.
- En vous tenant devant l'équipement de chaque côté, saisissez fermement ses guidons. Levez l'avant de l'équipement pour que l'arrière repose sur les roues. Déplacez l'équipement et reposez-le prudemment. Placez l'équipement sur une base protectrice pour éviter d'endommager la surface du sol.
- Déplacez prudemment l'équipement sur les surfaces irrégulières. Ne déplacez pas l'équipement sur ses roues pour monter des escaliers mais transportez-le par les guidons.
- Rangez l'équipement dans un endroit sec exposé à des variations de température minimales.

## Informations supplémentaires

### Élimination des emballages

Les réglementations gouvernementales nous demandent de réduire la quantité de matériaux déposés dans les décharges. C'est pour cela que nous faisons appel à votre responsabilité et vous demandons de déposer les emballages dans des centres de recyclage publics.

### Élimination du produit

Chez Tunturi, nous espérons que vous profiterez longtemps de votre appareil de fitness. Cependant, nous savons bien qu'un jour ou l'autre votre machine arrivera au terme de sa vie utile. Selon la directive européenne sur les DEEE, vous êtes responsable de vous séparer correctement de votre appareil de fitness en le déposant dans un site public agréé de récupération des déchets.

## Données techniques

| Paramètre                                      | Unité de mesure | Valeur                |
|--|-----------------|-----------------------|
| Récepteur de fréquence cardiaque téléométrique | La fréquence    | 5.3 Khz/<br>Bluetooth |
| Longueur                                       | cm<br>inch      | 195,0<br>76.8         |
| Largeur  | cm<br>inch      | 74,0<br>29.1          |
| Hauteur  | cm<br>inch      | 162,0<br>63.8         |
| Poids  | kg<br>lbs       | 73.5<br>161.7         |
| Poids maxi. utilisateur                        | kg<br>lbs       | 120<br>265            |
| Adaptateur                                     | V<br>Ma.        | 9V-DC<br>1.0 A        |

## Garantie

### Garantie du propriétaire d'un équipement de Tunturi

#### Conditions de garantie

Le consommateur dispose des droits légaux accordés par la législation nationale applicable au commerce des produits de consommation courante et cette garantie ne limite ces droits en aucun cas. La « Garantie du propriétaire » est valable uniquement si l'équipement est utilisé dans l'environnement correspondant à celui déterminé par Tunturi New Fitness BV. L'environnement d'utilisation de chaque appareil est mentionné dans le mode d'emploi fourni avec l'appareil en question.

#### Conditions de garantie

Les conditions de garantie sont applicables à compter de la date d'achat et peuvent varier selon les pays. Demandez conseil à votre revendeur.

#### Étendue de la garantie

En aucun cas Tunturi New Fitness BV, le revendeur ou le distributeur Tunturi ne répondra des éventuels dommages spéciaux, indirects, secondaires ou consécutifs, de quelque nature que ce soit, liés à l'utilisation de ou à l'inaptitude à utiliser cet équipement.

### **Restrictions de garantie**

La garantie couvre les défauts de fabrication et de matériaux dans un équipement d'origine, sorti d'usine et conditionné par Tunturi New Fitness BV. La garantie couvre uniquement les défauts apparaissant lors d'une utilisation normale et conforme aux instructions du manuel du propriétaire, à condition que les instructions de montage, de maintenance et d'utilisation établies par Tunturi New Fitness BV aient été respectées. Tunturi New Fitness BV et les revendeurs Tunturi ne répondent pas des défauts occasionnés par des conditions indépendantes de leur volonté. La garantie est applicable uniquement au premier acheteur et est valable uniquement dans les pays où Tunturi New Fitness BV dispose d'un distributeur agréé. La garantie ne s'étend pas aux équipements de fitness ou aux pièces qui ont été modifiées sans l'autorisation de Tunturi New Fitness BV. La garantie ne s'applique pas aux défauts provenant d'une usure normale, d'une utilisation inadaptée, d'une utilisation dans des conditions non prévues par le fabricant, de la corrosion ou d'un dommage intervenu lors du chargement ou du transport.

La garantie ne couvre pas les sons ou les bruits émis par l'équipement s'ils ne gênent pas son utilisation et s'ils ne sont pas provoqués par un dysfonctionnement.

La garantie ne couvre pas non plus les mesures de maintenance, telles que le nettoyage, la lubrification ou la vérification normale des pièces, ni les actions que le client peut effectuer lui-même et qui n'exigent pas particulièrement de monter/ démonter l'équipement. Ces actions sont par exemple le changement des compteurs, des pédales ou autres pièces similaires faciles à changer. Seules les réparations sous garantie effectuées par un revendeur ou par le distributeur agréé Tunturi seront prises en charge. Le non-respect des instructions décrites dans le Manuel de l'Utilisateur entraînera l'annulation de la garantie.

### **Déclaration du fabricant**

---

Tunturi Fitness BV déclare que le produit est conforme aux directives et normes suivantes : EN 957 (HB), 89/336/CEE. Ce produit porte donc la marque CE.

01-2017

Tunturi New Fitness BV  
Purmerweg 1  
1311 XE Almere  
Pays-Bas

### **Limite de responsabilité**

---

© 2017 Tunturi New Fitness BV  
Tous les droits réservés.

Le produit et le manuel sont sujets à modifications. Les spécifications peuvent changer sans préavis.



## Nederlands

Deze Nederlandse handleiding is een vertaling van de Engelse tekst. Aan deze vertaling kunnen geen rechten ontleend worden. De originele Engelse tekst blijft leidend.

## Inhoud

|   |           |
|---|-----------|
| <b>Crosstrainer</b> .....                   | <b>49</b> |
| <b>Veiligheidswaarschuwingen</b> .....      | <b>49</b> |
| Elektrische veiligheid .....                | 49        |
| <b>Montage instructies</b> .....            | <b>50</b> |
| Beschrijving (fig. A) .....                 | 50        |
| Inhoud van de verpakking (fig. B & C) ..... | 50        |
| Assemblage (fig. D) .....                   | 50        |
| Bouten en moeren aandraaien .....           | 50        |
| <b>Trainingen</b> .....                     | <b>50</b> |
| Instructies .....                           | 50        |
| Hartslag .....                              | 51        |
| <b>Gebruik</b> .....                        | <b>51</b> |
| Voeding (Fig. E-1) .....                    | 52        |
| <b>Console (fig F)</b> .....                | <b>52</b> |
| Uitleg van de weergavefuncties .....        | 52        |
| Werkking van de knoppen .....               | 53        |
| Bediening .....                             | 53        |
| Programma's .....                           | 53        |
| Modus Recovery .....                        | 54        |
| Bluetooth & APP .....                       | 55        |
| <b>Reiniging en onderhoud</b> .....         | <b>55</b> |
| <b>Defecten en storingen</b> .....          | <b>55</b> |
| <b>Transport en opslag</b> .....            | <b>55</b> |
| Aanvullende informatie .....                | 55        |
| <b>Technische gegevens</b> .....            | <b>56</b> |
| <b>Garantie</b> .....                       | <b>56</b> |
| <b>Verklaring van de fabrikant</b> .....    | <b>56</b> |
| <b>Disclaimer</b> .....                     | <b>56</b> |

## Crosstrainer

Welkom in de wereld van Tunturi Fitness!

Hartelijk dank voor uw aankoop van dit Tunturi-toestel. Tunturi biedt een grote verscheidenheid aan professionele toestellen zoals crosstrainers, loopbanden, fietstrainers, roeimachines en accessoires. Het Tunturi-toestel is geschikt voor de hele familie, onafhankelijk van de conditie. Meer informatie vindt u op de website [www.tunturi.com](http://www.tunturi.com)

## Veiligheidswaarschuwingen

### ⚠ WAARSCHUWING

- Lees de veiligheid-waarschuwingen en de instructies. Het niet opvolgen van de veiligheid-waarschuwingen en de instructies kan persoonlijk letsel of beschadiging van het toestel veroorzaken. Bewaar de veiligheid-waarschuwingen en instructies voor toekomstig gebruik.

### ⚠ WAARSCHUWING

- Hartslag-bewakingssystemen kunnen onnauwkeurig zijn. Overmatig trainen kan leiden tot ernstig letsel of de dood. Als u zich duizelig voelt, stop dan onmiddellijk met trainen.

- Het toestel is uitsluitend geschikt voor huishoudelijk gebruik. Het toestel is niet geschikt voor commercieel gebruik.
- Het maximum gebruik is beperkt tot 3 uur per dag
- Het gebruik van dit toestel door kinderen of personen met fysieke, sensorische, geestelijke of motorische handicaps, of met gebrek aan ervaring en kennis kan gevaar veroorzaken. De personen die verantwoordelijk zijn voor hun veiligheid moeten uitdrukkelijke instructies geven of toezicht houden op het gebruik van het toestel.
- Laat uw gezondheid door een arts controleren voordat u met uw training begint.
- Als u misselijkheid, duizeligheid of andere abnormale symptomen ervaart, stop dan onmiddellijk met uw training en raadpleeg een arts.
- Om spierpijn en te zware belasting te voorkomen, moet u elke training beginnen met een warming-up en eindigen met een cooling-down. Vergeet niet om uw spieren te strekken aan het einde van de training.
- Het toestel is uitsluitend geschikt voor gebruik binnenshuis. Het toestel is niet geschikt voor gebruik buitenshuis.
- Gebruik het toestel alleen in een omgeving met voldoende ventilatie. Gebruik het toestel niet in een tochtige omgeving om geen kou te vatten.
- Gebruik het toestel alleen in een omgeving met een omgevingstemperatuur tussen 10°C~35°C/ 50°F~95°F. Berg het toestel alleen op bij een omgevingstemperatuur tussen 5°C~45°C/ 41°F~113°F.
- Gebruik het toestel niet in een vochtige omgeving. Berg het toestel niet op in een vochtige omgeving. De luchtvochtigheid mag nooit meer zijn dan 80%.
- Gebruik het toestel alleen voor het doel waarvoor het gemaakt is. Gebruik het toestel niet voor andere doelstellingen dan beschreven in de handleiding.
- Gebruik het toestel niet als een onderdeel is beschadigd of niet goed werkt. Raadpleeg uw dealer als een onderdeel is beschadigd of niet goed werkt.
- Houd uw handen, voeten en andere lichaamsdelen uit de buurt van de bewegende delen.
- Houd uw haar uit de buurt van de bewegende delen.
- Draag geschikte kleding en schoenen.
- Houd kleding, sieraden en andere voorwerpen uit de buurt van de bewegende delen.
- Zorg ervoor dat het toestel slechts door één persoon tegelijk wordt gebruikt. Het toestel mag niet worden gebruikt door personen die meer dan 120 kg (264 lbs) wegen.
- Maak het toestel niet open zonder eerst uw dealer te raadplegen.

## Elektrische veiligheid

(Uitsluitend voor toestellen met elektrisch vermogen)

- Controleer voor gebruik altijd of de netspanning gelijk is aan de spanning op het typeplaatje van het toestel.
- Gebruik geen verlengsnoer.
- Houd het snoer uit de buurt van warmte, olie en scherpe randen.
- Verander of wijzig het snoer of de stekker niet.
- Gebruik het toestel niet als het snoer of de stekker beschadigd is of niet goed werkt. Als het snoer of de stekker is beschadigd of niet goed werkt, raadpleeg dan uw dealer.
- Rol het snoer altijd helemaal uit.
- Laat het snoer niet onder het toestel door lopen. Laat het snoer niet onder een kleed door lopen. Plaats geen voorwerpen op het snoer.
- Zorg ervoor dat het snoer niet over de rand van een tafel hangt. Zorg ervoor dat niemand per ongeluk achter het snoer kan blijven haken of erover kan struikelen.

- Laat het toestel niet onbewaakt achter wanneer de stekker in het stopcontact zit.
- Trek niet aan het snoer als u de stekker uit het stopcontact wilt halen.
- Verwijder de stekker uit het stopcontact wanneer het toestel niet in gebruik is, vóór montage of demontage en vóór reiniging en onderhoud.

## Montage instructies

### Beschrijving (fig. A)

Uw crosstrainer is een stationair fitnessstoelstel dat wordt gebruikt voor het nabootsen van lopen of hardlopen zonder dat de gewrichten te veel belast worden.

### Inhoud van de verpakking (fig. B & C)

- De verpakking bevat de onderdelen zoals aangegeven in fig. B.
- De verpakking bevat de bevestigingsmiddelen zoals aangegeven in fig. C. Raadpleeg het gedeelte "Beschrijving".

#### ⚠ LET OP

- Raadpleeg uw dealer als een onderdeel ontbreekt.

### Assemblage (fig. D)

#### ⚠ WAARSCHUWING

- Monteer het apparaat in de aangegeven volgorde.
- Draag en verplaats het toestel met minstens twee personen.

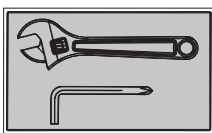
#### ⚠ VOORZICHTIG

- Zet het toestel op een stevige, vlakke ondergrond.
- Zorg voor een beschermende laag onder het toestel om schade aan het vloeroppervlak te voorkomen.
- Houd rondom de apparatuur ten minste een bewegingsruimte van 100 cm.
- Raadpleeg de illustraties voor de juiste assemblage van het toestel.

#### ⚠ LET OP

- Bewaar, nadat u het apparaat in elkaar hebt gezet, het gereedschap dat bij dit product is geleverd. Dit met het oog op service op een later tijdstip.

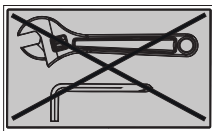
### Bouten en moeren aandraaien



Draai de bouten en moeren pas aan nadat alle componenten zijn gemonteerd.

#### ⚠ LET OP

- Componenten die moeten kunnen scharnieren, mogen niet te strak worden aangedraaid.
- Alle scharnierende componenten moeten vrij kunnen bewegen.



Draai de bouten en moeren in deze stap niet aan.

## Trainingen

De training moet licht genoeg zijn, maar wel langdurig. Aerobische training is gebaseerd op verbetering van de maximale zuurstofopname van het lichaam, die dan het uithoudingsvermogen en de conditie weer verbetert. U moet tijdens de training wel transpireren, maar u mag niet buiten adem raken.

Voor het bereiken en in stand houden van een basisconditie moet u minstens drie keer per week steeds 30 minuten trainen. Verhoog het aantal trainingssessies ter verbetering van uw conditie. Het is de moeite waard om regelmatige lichaamsbeweging met gezonde voeding te combineren. Iemand die zich goed aan een dieet houdt, zou elke dag moeten trainen te beginnen met 30 minuten of korter, en de dagelijkse trainingsduur geleidelijk opvoeren tot één uur. Begin uw training bij een lage snelheid en een lage weerstand om te voorkomen dat uw hart en bloedvaten te sterk belast worden. Naarmate uw conditie verbetert, kunnen snelheid en weerstand geleidelijk worden verhoogd. De doelmatigheid van uw training kan worden gemeten door uw hartslag.

### Instructies

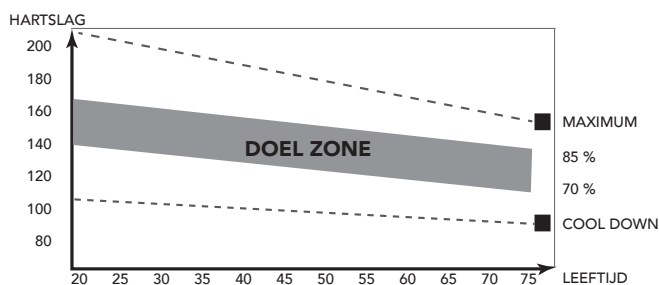
Het gebruik van dit fitness apparaat biedt meerdere voordelen: u verbetert uw fysieke conditie, u versterkt uw spieren en u valt in combinatie met een caloriearm dieet af.

#### De warming-up

In deze fase wordt uw bloedsomloop gestimuleerd voor een juiste werking van de spieren. Tevens wordt het risico op kramp en spierletsel verminderd. Wij raden u aan enkele stretch oefeningen te doen, zoals hieronder beschreven. Houd elke stretch oefening ongeveer 30 seconden vol. Forceer uw spieren niet bij het stretchen. STOP als het pijn doet

#### De training fase

Dit is de fase waarin u de meeste inspanning levert. Na regelmatig gebruik worden de spieren in uw benen flexibeler. Het is in deze fase zeer belangrijk dat u een gelijkmatig tempo aanhoudt. De snelheid moet voldoende zijn om uw hartslag te laten stijgen naar de doel zone die in de onderstaande grafiek te zien is.



Deze fase moet minimaal 12 minuten duren, maar de meeste mensen beginnen met ongeveer 15-20 minuten.

#### De cooling down

In deze fase ontspant u uw cardiovasculaire systeem en spieren. Dit is een herhaling van de warming-uptraining. Verlaag dus uw tempo en ga ongeveer 5 minuten door. Herhaal nu de stretch-oefeningen. Forceer uw spieren niet tijdens het stretchen.

Naarmate u fitter wordt, moet u langer en harder trainen. Het is raadzaam minstens drie keer per week te trainen en zo nodig uw oefeningen gelijkmatig over de week te verspreiden.

## Spierversteviging

Als u uw spieren wilt verstevigen met behulp van dit fitnessapparaat, stelt u de weerstand in op hoog. Zo komt er meer spanning op uw beenspieren. Mogelijk kunt u niet zo lang trainen als u zou willen. Als u ook uw conditie wilt verbeteren, moet u het trainingsprogramma aanpassen. Tijdens de warming-up en cooling-down traint u zoals normaal, maar tegen het eind van de trainingsfase verhoogt u de weerstand zodat uw benen harder moeten werken. Verlaag hierbij de snelheid zodat uw hartslag in de doelzone blijft.

## Gewichtverlies

Hierbij is het van belang hoeveel inspanning u levert. Hoe harder en langer u werkt, hoe meer calorieën u verbrandt. In feite is dit hetzelfde als wanneer u zou trainen om uw conditie te verbeteren. Het doel is alleen anders.

## Hartslag

### Hartslagmeting (handgreepsensoren)

De hartslag wordt gemeten door sensoren in de handgrepen wanneer de gebruiker beide sensoren tegelijkertijd aanraakt. Voor de meest nauwkeurige hartslagmeting moet de huid enigszins vochtig zijn en moet u de handgreepsensoren voortdurend aanraken. Bij een te droge of te vochtige huid kan de hartslagmeting minder nauwkeurig worden.

#### ⚠ LET OP

- Gebruik de handgreepsensoren niet in combinatie met een hartslagborstband.
- Als u een hartslag-limiet hebt ingesteld voor uw training, klinkt er een alarm wanneer deze wordt overschreden.

### Hartslagmeting (hartslagborstband)

#### ⚠ LET OP

- Een hartslagborstband is niet standaard bij deze trainer mee geleverd. Als u een hartslagborstband wilt gebruiken, zult u deze als accessoire moeten aanschaffen.

De meest nauwkeurige hartslagmeting wordt bereikt met een hartslagborstband. De hartslag wordt gemeten met een hartslagontvanger in combinatie met een band die de hartslag verzendt. Voor een nauwkeurige hartslagmeting moeten de elektroden op de borstband enigszins vochtig zijn en de huid constant aanraken. Bij te droge of te natte elektroden kan de hartslagmeting minder nauwkeurig worden.

#### ⚠ WAARSCHUWING

- Als u een pacemaker hebt, moet u het eerst met uw dokter bespreken voordat u een hartslagborstband gebruikt.

#### ⚠ VOORZICHTIG

- Als er verscheidene hartslagmeetapparaten naast elkaar staan, zorg er dan voor dat de tussenafstand minstens 2 meter is.
- Als er slechts één hartslagontvanger en verscheidene hartslagzenders zijn, zorg dan dat er slechts één persoon met een zender in het zendbereik is.

#### ⚠ LET OP

- Gebruik de hartslagborstband niet in combinatie met de handgreepsensoren.
- Draag de hartslagborstband altijd onder uw kleding, direct op uw huid. Draag de hartslagborstband niet boven uw kleding. Als u de hartslagborstband boven uw kleding draagt, zal er geen signaal komen.

- Als u een hartslaglimiet hebt ingesteld voor uw training, klinkt er een alarm wanneer deze wordt overschreden.
- De zender verzendt de hartslag naar de console tot over een afstand van 1,5 meter. Als de elektroden niet vochtig zijn, verschijnt de hartslag niet op de display.
- Sommige vezels in kleding (bijv. polyester, polyamide) produceren statische elektriciteit die een nauwkeurige hartslagmeting kan hinderen.
- Mobiele telefoons, televisies en andere elektrische apparaten creëren een elektromagnetisch veld dat een nauwkeurige hartslagmeting kan hinderen.

### Maximale hartslag (tijdens de training)

De maximale hartslag is de hoogste hartslag die iemand veilig kan bereiken door de belasting van de training. De volgende formule wordt gebruikt voor het berekenen van de gemiddelde maximale hartslag:  $220 - \text{LEEFTIJD}$ . De maximale hartslag varieert van persoon tot persoon.

#### ⚠ WAARSCHUWING

- Zorg ervoor dat u tijdens uw training niet boven uw maximale hartslag komt. Als u bij een risicogroep hoort, moet u een arts raadplegen.

### Beginner 50-60% van de maximale hartslag

Geschikt voor beginners, mensen die willen afvallen, herstellende patiënten en personen die lange tijd niet getraind hebben. Train minstens drie keer per week, 30 minuten per keer.

### Gevorderd 60-70% van de maximale hartslag

Geschikt voor personen die hun conditie willen verbeteren en in stand houden. Train minstens drie keer per week, 30 minuten per keer.

### Expert 70-80% van de maximale hartslag

Geschikt voor de fitste personen die gewend zijn aan langdurige duurtraining.

## Gebruik

### Afstellen van de steunvoeten

Het toestel is voorzien van 6 steunvoeten. Als het toestel niet stabiel is, kunnen de steunvoeten worden versteld.

- Draai de steunvoeten zo ver in of uit als nodig is om het toestel in een stabiele positie te krijgen.
- Draai de borgmoeren vast om de steunvoeten te vergrendelen..

#### ⚠ LET OP

- Het toestel is het meest stabiel wanneer alle steunvoeten volledig zijn ingedraaid. Nivelleer het toestel eerst door alle steunvoeten volledig in te draaien alvorens de nodige steunvoeten uit te draaien om het toestel te stabiliseren.

#### ⚠ WAARSCHUWING

- Om schade aan uw vloeroppervlak te voorkomen, zorgt u dat de "U shape holder" de vloer niet kan raken tijdens gebruik. (fig. E-2). Creëer hoogte voor de "U shape slider" door juiste afstelling van de steunvoeten als dit nodig is. (zie afbeelding stap D-1C-A)

### Afstellen van de console

De console kan worden afgesteld naar de lengte en de trainingspositie van de gebruiker.

- Draai de stelknop voor de console los.
- Zet de console in de gewenste positie.
- Draai de stelknop voor de console vast.

## Voeding (Fig. E-1)

De trainer werkt op stroom van een extern voedingsnet. Op de illustratie wordt de plaats van de aansluiting op de trainer weergegeven.

### ⚠ LET OP

- Sluit de adapter eerst aan op de trainer voordat u deze aansluit op de wandcontactdoos.
- Verwijder altijd de stroomkabel wanneer de trainer niet in gebruik is.

## Console (fig F)



1. Display
2. Steun voor tablet/boek
3. Knoppen

### ⚠ VOORZICHTIG

- Houd de console uit de buurt van direct zonlicht.
- Droog het oppervlak van de console wanneer het met zweetdruppels is bedekt.
- Leun niet op de console.
- Raak de display alleen met uw vingertop aan. Raak de display niet aan met uw nagels of een scherp voorwerp.

### ⚠ LET OP

- De console gaat naar standby wanneer het toestel gedurende 4 minuten niet wordt gebruikt.

## Uitleg van de weergavefuncties

### Time (Tijd)

- Wanneer u geen doelwaarde instelt, wordt de tijd opgeteld.
- Wanneer u wel een doelwaarde instelt, wordt de tijd terug geteld vanaf de doelwaarde. Zodra het aantal op 0 komt, hoort u een alarm of gaat het display knipperen. De tijd wordt verder opgeteld als u niet stopt met trainen nadat het doel is bereikt.
- Wanneer tijdens de workout gedurende 4 seconden geen signaal naar de monitor wordt verzonden, stopt de tijd
- Bereik 0:00 ~ 99:59

### Speed

- Hier ziet u de huidige snelheid.
- Bereik 0.0 ~ 99.9
- Wanneer tijdens de workout gedurende 4 seconden geen signaal naar de monitor wordt verzonden, staat SPEED op '0.0'.

### RPM

- Weergave van de rotaties per minuut
- Bereik 0 ~ 999
- Wanneer tijdens de workout gedurende 4 seconden geen signaal naar de monitor wordt verzonden, staat RPM op '0'.

### Watt

- Weergave van de huidige workoutwatt.
- Bereik 0 ~ 999

### Level

- Toont de instelling van het weerstand nivo bij het instellen van de weerstand voor de duur van 3 seconden.

### Distance (Afstand)

- Wanneer u geen doelwaarde instelt, wordt de afstand opgeteld.
- Wanneer u wel een doelwaarde instelt, wordt de afstand terug geteld vanaf de doelwaarde. Zodra het aantal op 0 komt, hoort u een alarm of gaat het display knipperen. De afstand wordt verder opgeteld als u niet stopt met trainen nadat het doel is bereikt.
- Bereik 0.00 ~ 99.99

### Calories

- Wanneer u geen doelwaarde instelt, wordt het aantal verbruikte calorieën opgeteld.
- Wanneer u wel een doelwaarde instelt, wordt het aantal calorieën terug geteld vanaf de doelwaarde. Zodra het aantal op 0 komt, hoort u een alarm of gaat het display knipperen. Het aantal calorieën wordt verder geteld als u niet stopt met trainen nadat het doel is bereikt.
- Bereik 0~999

### ⚠ LET OP

- Deze gegevens zijn een richtlijn voor de vergelijking van verschillende trainingssessies en kunnen niet voor medische behandelingen worden gebruikt.

### Pulse

- Wanneer uw hartslag door de console wordt geregistreerd, ziet u na 6 seconden uw huidige hartslag.
- Wanneer gedurende 6 seconden geen hartslagsignaal wordt geregistreerd, wordt 'P' weergegeven.
- U hoort een hartslagalarm als uw huidige hartslag de ingestelde hartslag overschrijdt.
- Bereik 0-3 0~ 230 BPM

### BAI™

- Weergave van de BAI-meting en de BAI-waarde tijdens de training.
- Weergavebereik 0-999

### ⚠ OPMERKING

- De BAI (Body Activity Index) is het overzicht van het effectieve trainingsvolume.
- Trainingsvolume = trainingsintensiteit x trainingstijd.

De BAI berekent het effectieve trainingsvolume op basis van uw hartslag, leeftijd en sekse, en de duur van de training. Tijdens de training kunt u zien hoe de BAI oploopt. Zodra u een trainingssessie voltooit, kunt u het totale aantal BAI-punten zien, het totale effectieve trainingsvolume van deze sessie. Als u harder traint, met een hogere hartslag, krijgt u sneller BAI-punten. Als u minder hard traint, met een lagere hartslag, krijgt u minder snel BAI-punten. We raden u aan om elke week zodanig te trainen dat u 100 BAI-punten hoger komt, om zo uw cardiocapaciteit te verbeteren.

## Werking van de knoppen

### Up (keuzewiel)

- Verhoog de weerstandswaarde tijdens training.
- Draai het keuzewiel naar rechts om de waarde te verhogen.

### Down (keuzewiel)

- Verlaag de weerstandswaarde tijdens training.
- Draai het keuzewiel naar links om de waarde te verlagen.

### Mode/Enter

- Druk op de toets MODE/ENTER om een functie te kiezen.

### Reset

- Druk in de modus Instellingen eenmaal op de toets RESET om de huidige functiegetallen te resetten.
- Houd RESET 2 seconden ingedrukt om alle functiegetallen te resetten

### Start/ Stop

- Start of Stop ( pauzeer ) training

### Body Fat

- Test van lichaamsvetpercentage en BMI.

### Recovery

- Nadat de console het pulse-sigitaal registreert, drukt u op de toets RECOVERY om de modus te activeren waarin u uw hartslagherstel kunt volgen

## Bediening

### Inschakelen

- Steek de stekker in het stopcontact. De computer start op en toont gedurende 2 seconden alle onderdelen op het LCD-scherm.
- Wanneer het apparaat zich in de slaapmodus bevindt, drukt u op een willekeurige toets op de console om het apparaat in te schakelen.
- U kunt ook gaan fietsen om het apparaat te activeren. Op het LCD-display worden alle segmenten weergegeven (fig. F-01)

### Gebruiker instellen

- Selecteer gebruiker, draai aan het keuzeknop om U1-U4 te selecteren, en druk op MODE om uw keuze te bevestigen.
- Selecteer sekse, draai aan het keuzeknop om Male/Female (man/ vrouw) te selecteren, en druk op MODE om uw keuze te bevestigen.
- Selecteer leeftijd (A), draai aan het keuzeknop om 1 - 99 te selecteren, en druk op MODE om uw keuze te bevestigen.
- Selecteer lengte (H), draai aan het keuzeknop om 100 - 200 te selecteren, en druk op MODE om uw keuze te bevestigen.

- Selecteer gewicht (W), draai aan het keuzeknop om 20 - 150 te selecteren, en druk op MODE om uw keuze te bevestigen.

### Training kiezen

Met de keuzeknop UP/ DOWN (omhoog/omlaag) kunt u het volgende selecteren:

|          |                          |
|----------|--------------------------|
| M        | Manueel                  |
| P1 ~ P12 | Programma profiel 1 ~ 12 |
| HRC      | Hartslag gestuurd        |
| W        | Wattage gestuurd         |
| U        | Gebruikersprogramma      |

### Uitschakelen

Wanneer gedurende 4 minuten geen signaal naar de monitor wordt verzonden, schakelt het apparaat automatisch naar de slaapmodus.

## Programma's

### Snelle start

- Druk op START/ STOP om de training te beginnen zonder voorgeprogrammeerde instellingen.
- Met de keuzeknop UP/DOWN kunt u het weerstandsniveau aanpassen tijdens de training.

### Training beëindigen

- Druk op START/STOP in de trainingsmodus om de training te stoppen of te pauzeren. Als u de training wilt hervatten, drukt u op START/ STOP in de pauzmodus.
- Druk op RESET (in de pauzmodus) om alle trainingsgegevens opnieuw in te stellen.
- Houd RESET 2 seconden ingedrukt om de console opnieuw in te stellen. (Gegevens van de actieve training gaan dan verloren)

### Handmatige modus

- Met de keuzeknop Up/ Down selecteert u het trainingsprogramma. Selecteer M (handmatig) en druk op MODE om uw keuze te bevestigen.
- Met de keuzeknop Up/ Down selecteert u het spanningsniveau, druk op MODE om uw keuze te bevestigen.
- Met de keuzeknop Up/ Down stelt u de voorgeprogrammeerde trainingstijd in, druk op MODE om uw keuze te bevestigen.
- Met de keuzeknop Up/ Down stelt u de voorgeprogrammeerde trainingsafstand in, druk op MODE om uw keuze te bevestigen.
- Met de keuzeknop Up/ Down stelt u het voorgeprogrammeerde aantal calorieën in, druk op MODE om uw keuze te bevestigen.
- Met de keuzeknop Up/ Down stelt u een limiet in voor uw hartslag, druk op MODE om uw keuze te bevestigen.

### ⚠ OPMERKING

- Als u meerdere doelen instelt, wordt de training beëindigd wanneer het eerste doel is bereikt.
- Als u een doel leeg laat, wordt dit niet beschouwd als een voorgeprogrammeerde limiet.
- Als u een limiet voor uw hartslag instelt, stopt de training niet wanneer de ingestelde limiet wordt overschreden. U hoort wel een waarschuwingssignaal bij het overschrijden van de limiet.

- Druk op START/STOP om de training te starten
- Met de keuzeknop UP/DOWN kunt u het weerstandsniveau aanpassen. In het venster LEVEL ziet u het belastingsniveau.

## Programmaprofiel 1 - 12

- Met de keuzeknop Up/ Down selecteert u het trainingsprogramma. Selecteer een van de voorgeprogrammeerde profielen en druk op MODE om uw keuze te bevestigen.
- Met de keuzeknop Up/ Down selecteert u het spanningsniveau, druk op MODE om uw keuze te bevestigen. Het volledige profiel wordt hierop aangepast.
- Met de keuzeknop Up/ Down stelt u de voorgeprogrammeerde trainingstijd in, druk op MODE om uw keuze te bevestigen.
- Druk op START/STOP om de training te starten
- Met de keuzeknop UP/DOWN kunt u het weerstandsniveau aanpassen. Het volledige profiel wordt hierop aangepast. In het venster LEVEL ziet u het belastingsniveau.

In de programmaprofielmodus wordt de spanning automatisch aangepast aan een voorgeprogrammeerd profiel.

### ⚠ OPMERKING

- De duur van elk deel in het profiel is 1/8 van uw voorgeprogrammeerde trainingstijd.
- Als u geen trainingstijd hebt ingesteld, duurt elk deel ongeveer 20 seconden. Het profiel start telkens opnieuw totdat u zelf de training beëindigt.

## Cardiomodus

- Met de keuzeknop Up/ Down selecteert u het trainingsprogramma. Selecteer HRC (hartpictogram) en druk op MODE om uw keuze te bevestigen.
- Met de keuzeknop Up/ Down stelt u het HRC-doel in:
  - 55% = 55% van 220 minus uw leeftijd
  - 75% = 75% van 220 minus uw leeftijd
  - 90% = 90% van 220 minus uw leeftijd
  - TA = doel (standaard is 100)
- Druk op MODE om uw keuze te bevestigen.
- Wanneer u TA hebt ingesteld, kunt u met de keuzeknop Up/ Down het doel instellen (30 - 230), druk op MODE om uw keuze te bevestigen.
- Met de keuzeknop Up/ Down stelt u de voorgeprogrammeerde trainingstijd in, druk op MODE om uw keuze te bevestigen.
- Druk op START/STOP om de training te starten
- Druk op RESET om terug te keren naar het hoofdmenu.

In de cardiomodus wordt de spanning automatisch aangepast aan een ongevoeligheid wanneer uw hartslag het voorgeprogrammeerde HRC-doel bereikt.

## Wattmodus

- Met de keuzeknop Up/ Down selecteert u het trainingsprogramma. Selecteer wattcontrole (W) en druk op MODE om uw keuze te bevestigen.
- Met de keuzeknop Up/ Down stelt u het wattdoel in: 120 is de voorgeprogrammeerde standaardwaarde (10 - 350); druk op MODE om uw keuze te bevestigen.

- Met de keuzeknop Up/ Down stelt u de voorgeprogrammeerde trainingstijd in, druk op MODE om uw keuze te bevestigen.
- Druk op START/STOP om de training te starten
- Druk op RESET om terug te keren naar het hoofdmenu.

In de wattmodus wordt de spanning automatisch aangepast aan een ongevoeligheid wanneer het wattage het voorgeprogrammeerde wattdoel bereikt.

### ⚠ OPMERKING

- De wattparameter is een berekening van RPM (rotaties per minuut) en het spanningsniveau. Wanneer RPM hoger is, is de spanning lager. Wanneer RPM lager is, is de spanning hoger.

## Gebruikersprofiel

- Met de keuzeknop Up/ Down selecteert u het trainingsprogramma. Selecteer gebruikersprofiel (U) en druk op MODE om uw keuze te bevestigen.
- Met de keuzeknop Up/ Down stelt u het spanningsniveau in voor het eerste profielsegment; druk op MODE om uw keuze te bevestigen.
- Stel het spanningsniveau voor de overige profielsegmenten op dezelfde manier in.
- Houd MODE 2 seconden ingedrukt om uw keuze te bevestigen en sla het ingestelde gebruikersprofiel op.
- Met de keuzeknop Up/ Down stelt u de voorgeprogrammeerde trainingstijd in, druk op MODE om uw keuze te bevestigen.
- Druk op START/STOP om de training te starten
- Druk op RESET om terug te keren naar het hoofdmenu.

In de gebruikersprofielmodus wordt de spanning automatisch aangepast aan het voorgeprogrammeerde profiel.

De duur van elk deel in het profiel is 1/8 van uw voorgeprogrammeerde trainingstijd.

### ⚠ OPMERKING

- Er is één gebruikersprogramma beschikbaar per gebruiker.

## Modus Recovery

- De toets RECOVERY werkt alleen als een hartslag wordt geregistreerd.
- Bij TIME wordt '0:60' (seconden) weergegeven; er wordt terug geteld naar 0.
- Na het aftellen om de status van het hartslagherstel te testen, wordt op de computer F1 tot en met F6 weergegeven. De gebruiker kan het hartslagherstelniveau vinden in de onderstaande tabel.
- Druk opnieuw op de toets RECOVERY om terug te keren naar het begin.

|    |                      |
|----|----------------------|
| F1 | Voortreffelijk       |
| F2 | Uitstekend           |
| F3 | Goed                 |
| F4 | Normaal              |
| F5 | Onder het gemiddelde |
| F6 | Slecht               |

## Modus Body Fat

- Druk op de toets BODY FAT om te beginnen met de meting van het lichaamsvetpercentage.
- Tijdens de meting moet de gebruiker met beide handen de handgrepen vasthouden. Op het LCD-display wordt gedurende 8 seconden "--" "- -" "- - -" "- - - -" weergegeven, totdat de computer de meting heeft afgerond.
- Op het LCD-display worden BMI en vetpercentage weergegeven.

### OPMERKING

- Voor deze functie moet het gebruikersprofiel correct zijn ingesteld.

### Foutmeldingen in de modus Body Fat

- \*E-1  
Er wordt geen hartslagsignaal geregistreerd.
- \*E-4  
Treedt op wanneer het vetpercentage en het BMI-resultaat lager is dan 5 of hoger is dan 50.

### Bluetooth & APP

- U kunt deze console via Bluetooth verbinden met een App op uw smart-apparaat. (iOS & Android)
- Breng de Bluetooth-verbinding alleen tot stand via de verbindingsmodus op de geïnstalleerde APP op uw smart-apparaat.
- Wanneer de Bluetooth-verbinding tussen APP en console tot stand is gebracht, wordt het display van de console grijs weergegeven alsof deze zich in de standby-modus bevindt.

### LET OP

- Tunturi biedt uitsluitend de mogelijkheid om uw fitnessconsole via een bluetooth-verbinding aan een smart-apparaat te koppelen. Tunturi kan daarom niet aansprakelijk worden gesteld voor schade of gebreken aan producten die niet door Tunturi worden geproduceerd.
- Raadpleeg de website voor extra informatie.

Deze console kan een Bluetooth-hartslagzender ontvangen. Het is niet nodig om het apparaat te koppelen, omdat de console de hartslagzender automatisch detecteert wanneer deze binnen bereik is.

### Reiniging en onderhoud

Het toestel vereist geen speciaal onderhoud. Het toestel heeft geen kalibratie wanneer het wordt geassembleerd, gebruikt en onderhouden overeenkomstig de instructies.

### WAARSCHUWING

- Gebruik geen oplosmiddelen om het toestel te reinigen.
- Reinig het toestel na elk gebruik met een zachte absorberende doek.
- Controleer regelmatig of alle schroeven en moeren goed vast zitten.
- Smeer indien nodig de draaipunten.

### Defecten en storingen

Ondanks voortdurende kwaliteitscontroles, kunnen er defecten of storingen optreden die het gevolg zijn van het niet goed functioneren van onderdelen die in de trainer zijn gebruikt. In de meeste gevallen is het onnodig om het gehele apparaat ter reparatie aan te bieden, aangezien de storing meestal kan worden opgelost door het vervangen van het defecte onderdeel.

Mochten er storingen optreden bij het gebruik van de trainer, neem dan onmiddellijk contact op met uw Tunturi dealer. Vermeldt daarbij altijd het model en het serienummer van uw Tunturi trainer, de eventuele storingscode en door wie de trainer is geïnstalleerd.

Vermeldt bij het bestellen van onderdelen het model, het serienummer van het apparaat en het nummer van het onderdeel. Op de laatste pagina's van deze gids vindt u de onderdelenlijst.

### Problemen oplossen

- Als er geen signaal is wanneer u fietst, controleer dan of de kabel goed is aangesloten.

### LET OP

- Wanneer u gedurende 4 minuten stopt met de training, wordt het hoofdscherm uitgeschakeld.
- Wanneer de computer weergave niet normaal is, installeert u de transformator opnieuw en probeert u het nogmaals.

### Piepende rollers.

- Regelmatig gebruik: Breng 2cc. van het smeermiddel op beide rails, elke drie maanden.
- Wanneer de wielen teveel geluid maken tijdens het bewegen, breng dan 2cc. van het smeermiddel aan op beide rails.

### WAARSCHUWING

- We raden aan een smeermiddel op siliconenbasis te gebruiken.
- Te veel smeermiddel kan vlekken op het tapijt of stofdeeltjes veroorzaken. Veeg daarom overvloedig smeermiddel weg met een droge doek.

### Wankel of onstabiel gevoel tijdens gebruik

Als de machine tijdens bedrijf onstabiel of onstabiel aanvoelt, is het raadzaam om de steunvoeten aan te passen om het frame op de juiste hoogte te brengen. Lees de instructies in deze handleiding in sectie: "Gebruik"

### Transport en opslag

### WAARSCHUWING

- Draag en verplaats het toestel met minstens twee personen.
- Blijf aan weerskanten aan de voorkant van het toestel staan en pak de handgrepen stevig vast. Til de voorkant van het toestel op zodat de achterkant van het toestel op de wielen komt te rusten. Verplaats het toestel en zet het voorzichtig neer. Zorg voor een beschermende laag onder het toestel om schade aan het vloeroppervlak te voorkomen.
- Verplaats het toestel voorzichtig over een ongelijke ondergrond. Breng het toestel niet met behulp van de wielen naar boven, maar draag het toestel bij de handgrepen.
- Berg het toestel op een droge plaats op met zo weinig mogelijk temperatuurwisselingen.

### Aanvullende informatie

#### Afvoeren van verpakkingsmateriaal

Overheids-richtlijnen geven aan dat we de hoeveelheid afvalmateriaal afgevoerd naar stortplaatsen moeten verminderen. Daarom vragen we u al het afvalmateriaal op verantwoordelijke wijze af te voeren naar openbare recycling-centra.

## Verrwijdering aan het eind van de levensduur.

We hopen dat u jarenlang plezier hebt van uw fitnessapparaat. Er komt echter een moment waarop het fitnessapparaat het eind van de bruikbare levensduur heeft bereikt. Onder de Europese AEEA-wetgeving bent u verantwoordelijk voor het op de juiste wijze afvoeren van uw fitnessapparaat naar een erkend openbaar inzamelpunt.

## Technische gegevens

| Parameter                       | Meeteenheid | Waarde                |
|---------------------------------|-------------|-----------------------|
| Telemetrische hartslagontvanger | Frequenty   | 5.3 Khz/<br>Bluetooth |
| Lengte                          | cm<br>inch  | 195,0<br>76.8         |
| Breedte                         | cm<br>inch  | 74,0<br>29.1          |
| Hoogte                          | cm<br>inch  | 162,0<br>63.8         |
| Gewicht                         | kg<br>lbs   | 73.5<br>161.7         |
| Max. gewicht gebruiker          | kg<br>lbs   | 120<br>265            |
| Adapter<br>Spanning<br>Sterkte  | V<br>Ma.    | 9V-DC<br>1.0 A        |

## Garantie

### Garantie voor eigenaars van Tunturi trainingsapparatuur

#### Garantievoorwaarden

De consument ontleent wettelijke rechten aan de van toepassing zijnde nationale wetgeving aangaande de handel in consumentengoederen en de garantie zal deze rechten niet beperken.

De "Garantie voor de Eigenaar" geldt alleen dan wanneer het toestel wordt gebruikt in de door Tunturi New Fitness BV voor dat toestel toegestane gebruiksomgeving. Voor elk toestel wordt de toegestane gebruiksomgeving beschreven in de gebruiksaanwijzing van het toestel.

#### Garantievoorwaarden

De garantievoorwaarden gaan in vanaf de datum van aankoop. Deze kunnen per land verschillen. Vraag in de winkel bij u in de buurt naar de garantievoorwaarden.

#### Garantiedekking

In geen enkele omstandigheid zal Tunturi New Fitness BV of een wederverkoper van Tunturi aansprakelijk zijn voor eventuele indirecte schade geleden door de koper, zoals verlies van gebruiksnuut of inkomstendering of andere indirecte economische gevolgen.

#### Garantiebeperkingen

De garantie dekt defecten van het toestel die het gevolg zijn van materiaalfouten of onjuist uitgevoerd werk, mits het toestel zijn originele samenstelling heeft. De garantie betreft alleen defecten die blijken tijdens normaal gebruik overeenkomstig de meegeleverde gebruiksaanwijzing, mits de montage-, onderhouds- en gebruiksaanwijzingen van Tunturi zijn opgevolgd. Tunturi New Fitness BV en zijn wederverkopers zijn niet aansprakelijk voor defecten tengevolge van factoren waarop zij geen invloed kunnen uitoefenen. De garantie betreft alleen de eerste eigenaar van het toestel en is alleen geldig in landen waar een geautoriseerde importeur van Tunturi New Fitness BV is gevestigd. De garantie betreft geen trainingstoestellen

of onderdelen die zijn gewijzigd zonder toestemming van Tunturi New Fitness BV. De garantie dekt geen defecten tengevolge van normale slijtage, onjuist gebruik, gebruik in omstandigheden waarvoor het toestel niet is bedoeld, corrosie of schade ontstaan tijdens laden of transport.

De garantie geldt niet voor geluiden die ontstaan door het gebruik, als ze het gebruik van het apparaat niet wezenlijk belemmeren en niet veroorzaakt zijn door een defect aan het apparaat.

De garantie omvat ook geen onderhoudsmaatregelen, zoals reiniging, smering of normale inspectie van onderdelen, noch dergelijke montagewerkzaamheden die de klant zelf kan uitvoeren en die geen speciale demontage en montage van het toestel vereisen. Dit soort maatregelen zijn bijv. vervanging van monitoren, pedalen of andere vergelijkbare eenvoudige onderdelen. Garantieherstel dat is uitgevoerd door een ander dan de geautoriseerde Tunturi-vertegenwoordiger wordt niet vergoed. De garantie geldt alleen voor normaal, voorgeschreven gebruik van het product zoals beschreven in de handleiding.

## Verklaring van de fabrikant

Tunturi New Fitness BV verklaart dat het product voldoet aan de volgende normen en richtlijnen: EN 957 (HA), 89/336/EEG. Het product is derhalve voorzien van het CE-label.

01-2017

Tunturi New Fitness BV  
Purmerweg 1  
1311 XE Almere  
The Netherlands

## Disclaimer

© 2017 Tunturi New Fitness BV  
Alle rechten voorbehouden.

Het product en de handleiding zijn aan veranderingen onderhevig. Specificaties kunnen zonder verdere kennisgeving worden veranderd.



## Italiano

Questo manuale in lingua italiana è una traduzione dalla versione originale del manuale in lingua inglese.

Non si possono trarre diritti di traduzione dalla presente traduzione.

## Indice

|   |           |
|---|-----------|
| <b>Crosstrainer</b> .....                             | <b>57</b> |
| <b>Precauzioni di sicurezza</b> .....                 | <b>57</b> |
| Sicurezza elettrica .....                             | 57        |
| <b>Istruzioni di montaggio</b> .....                  | <b>58</b> |
| Descrizione (fig. A) .....                            | 58        |
| Contenuto dell'imballaggio (fig. B & C) .....         | 58        |
| Assemblaggio (fig. D) .....                           | 58        |
| Serrare dadi e bulloni .....                          | 58        |
| <b>Allenamenti</b> .....                              | <b>58</b> |
| Istruzioni per l'esercizio .....                      | 58        |
| Frequenza cardiaca .....                              | 59        |
| <b>Utilizzo</b> .....                                 | <b>59</b> |
| Alimentazione (Fig. E-1) .....                        | 60        |
| <b>Console (fig F)</b> .....                          | <b>60</b> |
| Spiegazione delle funzioni di visualizzazione .....   | 60        |
| Spiegazione dei pulsanti .....                        | 61        |
| Utilizzo .....  | 61        |
| Programmi .....                                       | 61        |
| Recupero .....  | 62        |
| Bluetooth & APP .....                                 | 63        |
| <b>Pulizia e manutenzione</b> .....                   | <b>63</b> |
| Difetti e malfunzionamenti .....                      | 63        |
| <b>Trasporto e stoccaggio</b> .....                   | <b>63</b> |
| Informazioni aggiuntive .....                         | 63        |
| <b>Dati tecnici</b> .....                             | <b>64</b> |
| <b>Garanzia</b> .....                                 | <b>64</b> |
| <b>Dichiarazione del fabbricante</b> .....            | <b>64</b> |
| <b>Clausola di esonero della responsabilità</b> ..... | <b>64</b> |

## Crosstrainer

Benvenuti nel mondo di Tunturi Fitness!

Grazie per aver acquistato questo apparecchio Tunturi. Tunturi offre un'ampia gamma di apparecchi per fitness professionale, fra cui crosstrainer, tapis roulant, cyclette, e vogatori e. Questo apparecchio Tunturi è adatto per tutta la famiglia, a prescindere dal livello di forma fisica. Per ulteriori informazioni, visitare il sito Web [www.tunturi.com](http://www.tunturi.com)

## Precauzioni di sicurezza

### ⚠ ATTENZIONE

- Leggere le precauzioni di sicurezza e le istruzioni. La mancata osservanza delle precauzioni di sicurezza e delle istruzioni può causare lesioni personali o danni all'apparecchio. Conservare gli avvisi di sicurezza e le istruzioni per future consultazioni.

### ⚠ ATTENZIONE

- Il sistema di monitoraggio della frequenza cardiaca può essere impreciso. L'eccessivo esercizio può causare serie lesioni o perfino il decesso. Se si avverte spossatezza, interrompere immediatamente l'allenamento.

- L'apparecchio è adatto esclusivamente per un uso domestico, non professionale. L'apparecchio non è idoneo per scopi commerciali.
- L'utilizzo massimo è limitato fino a 3 ore al giorno
- L'uso di questo apparecchio da parte di bambini o persone con handicap fisici, sensoriali, mentali o motori o privi di esperienza e di competenze può causare pericoli. Le persone responsabili per la loro sicurezza devono fornire esplicite istruzioni o supervisionare l'uso dell'apparecchio.
- Prima di iniziare l'allenamento, consultare un medico per verificare il proprio stato di salute.
- Se si avvertono nausea, vertigini o altri sintomi anomali, interrompere immediatamente l'allenamento e consultare un medico.
- Per evitare dolori muscolari e sforzi, iniziare ogni allenamento con una fase di riscaldamento e terminare ogni allenamento con una fase di defaticamento. Ricordarsi di eseguire lo stretching al termine dell'allenamento.
- L'apparecchio è adatto esclusivamente per un uso in interni. L'apparecchio non è idoneo per un uso all'aperto.
- Utilizzare l'apparecchio in un ambiente con ventilazione adeguata. Non utilizzare in ambienti esposti alle correnti d'aria per non prendere un raffreddore.
- Utilizzare l'apparecchio esclusivamente in ambienti con temperature comprese fra 10 °C e 35 °C. Conservare l'apparecchio esclusivamente in ambienti con temperature comprese fra 5°C~45°C/ 41°F~113°F.
- Non utilizzare o riporre l'apparecchio in ambienti umidi. L'umidità dell'aria non deve mai superare l'80%.
- Utilizzare l'apparecchio solo per lo scopo previsto. Non utilizzare l'apparecchio per scopi diversi da quelli descritti nel manuale.
- Non usare l'apparecchio se presenta parti danneggiate o difettose. In caso di parti danneggiate o difettose contattare il rivenditore.
- Mantenere mani, piedi e le altre parti del corpo lontani dalle parti in movimento.
- Tenere i capelli lontani dalle parti in movimento.
- Indossare indumenti e scarpe adatti.
- Mantenere abiti, gioielli e altri oggetti lontani dalle parti in movimento.
- Controllare che l'apparecchio venga utilizzato da una sola persona alla volta. L'apparecchio non deve essere utilizzato da persone di peso superiore a 120 kg (264 lbs)
- Non smontare l'apparecchio senza aver consultato il rivenditore..

## Sicurezza elettrica

(valido solo per apparecchi elettrici)

- Prima dell'uso, verificare sempre che la tensione della rete elettrica corrisponda alla tensione riportata sulla targhetta nominale dell'apparecchio.
- Non utilizzare cavi di prolunga.
- Tenere il cavo di alimentazione lontano da fonti di calore, olio e bordi affilati.
- Non alterare o modificare il cavo o la spina di alimentazione.
- Non utilizzare l'apparecchio se il cavo o la spina di alimentazione sono danneggiati o difettosi. Se il cavo o la spina di alimentazione risultano danneggiati o difettosi, contattare il rivenditore.
- Svolgere sempre completamente il cavo di alimentazione
- Non far passare il cavo di alimentazione sotto l'apparecchio. Non far passare il cavo di alimentazione sotto un tappeto. Non collocare alcun oggetto sul cavo di alimentazione.
- Verificare che il cavo di alimentazione non sporga sul bordo di un tavolo. Verificare che il cavo di alimentazione non possa rimanere accidentalmente impigliato o causare inciampanti.
- Non lasciare l'apparecchio incustodito quando la spina di alimentazione è collegata alla presa a muro.

- Non tirare il cavo di alimentazione per rimuovere la spina dalla presa a muro.
- Scollegare la spina di alimentazione dalla presa a muro quando l'apparecchio non è in uso, prima di assemblare o di smontare l'apparecchio o di qualsiasi intervento di pulizia o manutenzione.

## Istruzioni di montaggio

### Descrizione (fig. A)

Il crosstrainer è un apparecchio fisso per il fitness utilizzato per simulare la camminata o la corsa senza causare eccessiva pressione sulle giunture.

### Contenuto dell'imballaggio (fig. B & C)

- L'imballaggio contiene i componenti illustrati nella fig. B.
- L'imballaggio contiene gli elementi di fissaggio illustrati nella fig. C. Consultare la sezione "Descrizione".

#### ⚠️ NOTA

- Se una parte manca, contattare il rivenditore.

### Assemblaggio (fig. D)

#### ⚠️ ATTENZIONE

- Assemblare l'apparecchio nell'ordine indicato.
- Per trasportare e spostare l'apparecchio sono necessarie almeno due persone.

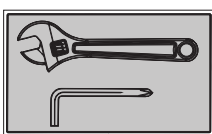
#### ⚠️ AVVISO

- Collocare l'apparecchio su una superficie stabile e in piano.
- Collocare l'apparecchio su una base protettiva per evitare danni alla superficie del pavimento.
- Mantenere uno spazio libero di almeno 1 m intorno all'apparecchio.
- Consultare le illustrazioni per il corretto assemblaggio dell'apparecchio.

#### ⚠️ NOTA

- Conservare tutti gli utensili forniti con questo prodotto, dopo aver completato il montaggio del prodotto, per eventuali necessità di assistenza in futuro.

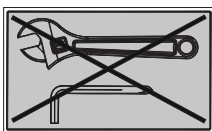
### Serrare dadi e bulloni



Fissare saldamente dadi e bulloni una volta che tutti i componenti sono stati assemblati nei passaggi correnti e precedenti.

#### ⚠️ NOTA

- Non serrare eccessivamente qualsiasi componente avente la funzione di perno.
- Assicurarsi che tutti i componenti siano in grado di muoversi liberamente.



Non fissare tutti i dadi e i bulloni in questo passaggio.

## Allenamenti

L'allenamento deve essere adeguatamente leggero ma di lunga durata. L'esercizio aerobico si basa sul miglioramento del consumo massimo di ossigeno del corpo che a sua volta migliora resistenza e forma fisica. Durante l'allenamento è necessario sudare ma non arrivare all'affanno. Per raggiungere e mantenere una forma fisica di base, allenarsi almeno tre volte alla settimana, per 30 minuti alla volta. Aumentare il numero di sessioni di esercizio per migliorare il livello di forma fisica. È importante combinare l'esercizio regolare con una dieta salutare. Una persona impegnata a seguire una dieta dovrà allenarsi quotidianamente, iniziando con 30 minuti o meno e aumentando gradualmente l'allenamento giornaliero fino ad un'ora. Iniziare l'allenamento a bassa velocità e con scarsa resistenza per evitare di sottoporre a uno stress eccessivo il sistema cardiovascolare. Man mano che il livello di forma fisica aumenta, è possibile aumentare gradualmente anche velocità e resistenza. L'efficienza dell'allenamento può essere misurata monitorando la frequenza cardiaca e le pulsazioni.

### Istruzioni per l'esercizio

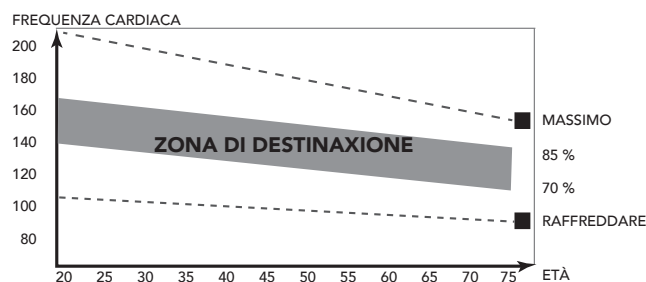
L'utilizzo del vostro fitness trainer vi darà diversi benefici, migliorerà la vostra forma fisica, tono muscolare e, insieme a una dieta con le calorie sotto controllo, vi aiuterà a perdere peso.

#### La fase di riscaldamento

Questa fase aiuta a far scorrere il sangue nel corpo e a far funzionare correttamente i muscoli. Ridurrà anche il rischio di crampi e di lesioni muscolari. Si consiglia di fare qualche esercizio di stretching come mostrato qui di seguito. Ogni esercizio di stretching andrebbe mantenuto per circa 30 secondi, non forzare o strappare i muscoli durante l'esercizio, se si sente un dolore FERMARSI SUBITO

#### La fase dell'esercizio

Questa è la fase dove fate il vostro sforzo. Dopo un uso regolare, i muscoli delle vostre gambe diventeranno più flessibili. Lavorare nell'ottica del vostro obiettivo è molto importante per mantenere un ritmo costante durante l'esercizio. La velocità del vostro lavoro dovrebbe essere sufficiente per aumentare il vostro battito cardiaco nella zona target mostrata sul grafico qui sotto.



Questa fase dovrebbe durare almeno 12 minuti anche se la maggior parte delle persone inizia a circa 15-20 minuti

#### La fase di defaticamento

Questa fase consente al vostro sistema cardiovascolare e ai vostri muscoli di rilassarsi. Questa è una ripetizione dell'esercizio di riscaldamento, cioè riduce il vostro ritmo, e continua per circa 5 minuti. Gli esercizi di stretching adesso andrebbero ripetuti, ricordandosi sempre di non forzare o strappare i vostri muscoli nello stretching. A mano a mano che sarete più in forma, potreste aver bisogno di allenarvi di più e più a lungo. Si consiglia di allenarsi almeno tre volte alla settimana, e se possibile, spalmare gli esercizi in

## Tono muscolare

Per tonificare i muscoli mentre siete sul vostro fitness trainer dovrete impostare la resistenza abbastanza alta. Questo sforzerà di più i muscoli delle vostre gambe e potrebbe voler dire che non potrete allenarvi per il tempo che avreste desiderato. Se anche voi state cercando di migliorare la vostra forma dovrete modificare il vostro programma di allenamento. Dovreste allenarvi normalmente durante le fasi di riscaldamento e di defaticamento, ma verso la fine della fase dell'esercizio dovrete aumentare la resistenza, per fare lavorare di più le vostre gambe. Dovrete ridurre la vostra velocità per mantenere la vostra frequenza cardiaca nella zona target.

## Perdere peso

Qui il fattore importante è la quantità di sforzo che mettete. Più forte e a lungo lavorate e più calorie brucerete. In effetti è uguale a come se steste allenandovi per migliorare la vostra forma, la differenza è l'obiettivo.

## Frequenza cardiaca

### Misurazione delle pulsazioni (sensori del cardiofrequenzimetro)

Le pulsazioni vengono misurate da sensori posti sulle impugnature quando l'utente tocca entrambi i sensori contemporaneamente. Un'accurata misurazione delle pulsazioni richiede che la pelle sia leggermente umida e costantemente a contatto con i sensori del cardiofrequenzimetro. Se la pelle è troppo asciutta o troppo bagnata, la misurazione delle pulsazioni diventa meno accurata.

#### ⚠️ NOTA

- Non utilizzare i sensori del cardiofrequenzimetro in combinazione con una fascia toracica per la misurazione della frequenza cardiaca.
- Impostando un limite per la frequenza cardiaca, viene generato un allarme acustico al superamento di tale limite.

### Misurazione della frequenza cardiaca (fascia toracica)

#### ⚠️ NOTA

- La fascia toracica non è di serie con questa macchina. Se si desidera utilizzare una fascia toracica wireless, è necessario acquistarla come accessorio.

La misurazione della frequenza cardiaca più accurata si ottiene tramite una fascia cardiaca. La misurazione viene effettuata da un ricevitore della frequenza cardiaca combinato con una fascia toracica trasmittente. Per un'accurata misurazione della frequenza cardiaca, gli elettrodi sulla fascia del trasmettitore devono essere leggermente umidi e costantemente a contatto con la pelle. Se gli elettrodi sono troppo asciutti o troppo bagnati, la misurazione della frequenza cardiaca diventa meno accurata.

#### ⚠️ ATTENZIONE

- Se l'utente è portatore di pacemaker, consultare un medico prima di utilizzare una fascia toracica per la misurazione della frequenza cardiaca.

#### ⚠️ AVVISO

- In presenza di numerosi dispositivi per la misurazione della frequenza cardiaca vicini, verificare che siano almeno ad una distanza di 1,5 metri uno dall'altro.

- In presenza di un solo ricevitore e numerosi trasmettitori di frequenza cardiaca, verificare che solo una persona con un trasmettitore sia all'interno del campo di trasmissione.

#### ⚠️ NOTA

- Non utilizzare i sensori del cardiofrequenzimetro in combinazione con una fascia toracica per la misurazione della frequenza cardiaca.
- Indossare sempre la fascia toracica sotto gli abiti a diretto contatto con la pelle. Non indossare la fascia toracica sopra gli abiti. Indossando la fascia toracica sopra gli abiti, non sarà trasmesso alcun segnale.
- Impostando un limite per la frequenza cardiaca, viene generato un allarme acustico al superamento di tale limite.
- Il trasmettitore trasmette la frequenza cardiaca alla console fino ad una distanza di 1 metro. Se gli elettrodi non sono umidi, la frequenza cardiaca non viene visualizzata sul display.
- Alcune fibre negli abiti (ad es. poliestere, poliammide) creano elettricità statica che può impedire un'accurata misurazione della frequenza cardiaca.
- Cellulari, TV e altri apparecchi elettrici creano un campo magnetico che può impedire un'accurata misurazione della frequenza cardiaca.

### Massima frequenza cardiaca (durante l'allenamento)

La massima frequenza cardiaca è la frequenza cardiaca più elevata che una persona può raggiungere in sicurezza durante lo stress dell'allenamento. Per calcolare la massima frequenza cardiaca media, viene utilizzata la seguente formula:  $220 - \text{ETÀ}$ . La massima frequenza cardiaca varia da persona a persona.

#### ⚠️ ATTENZIONE

- Porre attenzione a non superare la massima frequenza cardiaca durante l'allenamento. In caso di appartenenza ad un gruppo a rischio, consultare un medico.

### Principianti 50-60% della massima frequenza cardiaca

Adatta per persone in fase di dieta dimagrante, principianti, convalescenti e per chi non fa esercizio da molto tempo. Allenarsi almeno tre volte alla settimana, per 30 minuti alla volta.

### Livello avanzato 60-70% della massima frequenza cardiaca

Adatta per coloro che desiderano migliorare e mantenere la forma fisica. Allenarsi almeno tre volte alla settimana, per 30 minuti alla volta.

### Esperti 70-80% della massima frequenza cardiaca

Adatta per le persone in perfetta forma fisica abituate ad allenamenti che richiedono molta resistenza.

## Utilizzo

### Regolazione dei piedi di supporto

L'apparecchio è dotato di 6 piedi di supporto. Se l'apparecchio non è stabile, è possibile regolare i piedi di supporto.

- Ruotare i piedi di supporto come necessario per rendere stabile il tapis roulant.

**⚠ NOTA**

- La stabilità della macchina è maggiore quando tutti i piedi di supporto sono completamente avvitati. Pertanto iniziare a livellare la macchina avvitando completamente tutti i piedi di supporto, prima di svitare il piede di supporto necessario a stabilizzarla.

**⚠ AVVERTIMENTO**

- Per evitare di danneggiare il pavimento, accertatevi che il „Supporto ad U” non tocchi il pavimento quando si usa il trainer. (Fig. E-2)  
Guadagnare dell’altezza per lo „Slider a U” regolando il „Cuscino di regolazione” se necessario. (Vedere Montaggio passaggio D-2-B, parte n° 134)

**Regolazione della console**

È possibile regolare la console in base all’altezza e alla posizione di esercizio dell’utente.

- Allentare la manopola di regolazione della console.
- Spostare la console nella posizione richiesta.
- Serrare la manopola di regolazione della console.

**Alimentazione (Fig. E-1)**

Il trainer è dotato di un’alimentazione esterna. Fare riferimento all’illustrazione per individuare l’ingresso dell’alimentazione del trainer.

**⚠ NOTA**

- Collegare l’alimentazione al trainer prima di inserirla nella presa elettrica.
- Staccare sempre il cavo di alimentazione quando la macchina non viene usata.

**Console (fig F)**



1. Display
2. Tablet/ book support
3. Buttons

**⚠ AVVISO**

- Non esporre la console alla luce solare diretta.
- Asciugare la superficie della console se è coperta da gocce di sudore.
- Non appoggiarsi sulla console.

- Toccare il display solo con la punta delle dita. Non toccare il display con le unghie o con oggetti appuntiti.

**⚠ NOTA**

- La console passa in modalità standby quando l’apparecchio non viene utilizzato per 4 minuti.

**Spiegazione delle funzioni di visualizzazione**

**Time (Tempo)**

- Senza impostare il valore target, il tempo verrà conteggiato.
- Se si imposta il valore target, il tempo farà un conto alla rovescia dal vostro tempo target a 0 e suonerà o lampeggerà un allarme. Il tempo continuerà ad essere conteggiato se l’allenamento non viene interrotto una volta raggiunto l’obiettivo.
- Se non viene trasmesso nessun segnale nel monitor per 4 secondi durante l’esercizio, il tempo si FERMERÀ
- Range 0:00~99:59

**Speed (Velocità)**

- Visualizza la velocità di allenamento corrente.
- Range 0.0 ~ 99.9
- Senza nessun segnale trasmesso nel monitor per 4 secondi durante l’esercizio, VELOCITA’ visualizzerà “0.0”

**RPM**

- Visualizza i giri al minuto
- Range 0 ~ 999
- Senza nessun segnale trasmesso nel monitor per 4 secondi durante l’esercizio, RPM visualizzerà “0”

**WATT**

- Visualizza i watt dell’esercizio corrente.
- Range 0 ~ 999

**Level (CARICO)**

- Mostra l’impostazione per il livello di tensione, quando si regola la resistenza, per 3 secondi.

**Distance (Distanza)**

- Senza impostare il valore target, la distanza verrà conteggiata.
- Se si imposta il valore target, per la distanza ci sarà un conto alla rovescia dalla vostra distanza target a 0 con il suono o il lampeggio di un allarme. .
- Range 0.00~99.99.

**Calories (Calorie)**

- Senza impostare il valore target, le calorie verranno conteggiate.
- Se si imposta il valore target, per le calorie ci sarà un conto alla rovescia dalla vostra caloria target a 0 con il suono o il lampeggio di un allarme
- Range 0~999

**⚠ NOTA**

- Questo dato è una guida approssimativa per confrontare le differenti sedute di esercizi che non può essere usato in un trattamento medico.

**Pulse (Impulso)**

- L’impulso corrente verrà visualizzato dopo 6 secondi quando viene rilevato dalla console.
- Senza nessun segnale d’impulso per 6 secondi, la console visualizzerà “P”.

- L'allarme impulso suonerà quando l'impulso corrente è oltre l'impulso target.
- Range 0-30~230 BPM

### BAI™

- Visualizza il valore BAI del consumo BAI durante l'allenamento.
- Intervallo di visualizzazione 0~999

### ⚠️ NOTA

- Il BAI (Body Activity Index) è la somma del volume di allenamento effettivo.
- Volume allenamento = Intensità allenamento x Tempo allenamento.

Il BAI calcola il volume dell'allenamento effettivo in base a frequenza cardiaca, età, sesso e durata.

Durante l'allenamento, è possibile vedere l'accumulo del BAI. Non appena viene completata la sessione di allenamento, è possibile ottenere un punto BAI totale della sessione, che rappresenta il volume di allenamento effettivo totale per la sessione.

Con un allenamento più sostenuto e una zona di frequenza cardiaca maggiore, si ottengono punti BAI più velocemente. Con un allenamento meno sostenuto e una zona di frequenza cardiaca minore, si ottengono punti BAI più lentamente.

Consigliamo di allenarsi accumulando 100 punti BAI ogni settimana per migliorare le capacità cardio.

## Spiegazione dei pulsanti

### Up Su (Manopola)

- Aumentare il livello di resistenza durante l'esercizio.
- Ruotare la manopola in senso orario per aumentare il valore.

### Down Giù (Manopola)

- Diminuire il livello di resistenza durante l'esercizio.
- Ruotare la manopola in senso antiorario per diminuire il valore.

### Mode/ Enter

- Scegliere ogni funzione premendo il tasto MODE/ENTER.
- Confermare impostazione o selezione.

### Reset

- In modalità impostazione, premere una volta il tasto RESET per azzerare i valori della funzione corrente.
- Premere il tasto RESET e tenerlo premuto per 2 secondi per azzerare tutti i valori di tutte le funzioni.

### Start/ Stop

- Avviamento o Interruzione (pausa) dell'esercizio.

### Body Fat (Grasso corporeo)

Test % grasso corporeo e BMI.

### Recovery (Recupero)

- Una volta che console rileva il segnale d'impulso, premere il tasto RECOVERY per accedere in modalità recupero e monitorare la capacità di recupero della frequenza cardiaca

## Utilizzo

### Accensione

- Inserire la spina nella presa a muro.  
Il computer si avvia e visualizza tutti i componenti sul display LCD per 2 secondi

- Premere qualsiasi tasto per accendere la console mentre si trova in modalità sleep.
- Iniziare a pedalare per accendere la console quando si trova in modalità sleep.

Lo schermo LCD visualizzerà tutti i segmenti.

### Impostazione dell'utente

- Selezionare l'utente, ruotare la manopola per selezionare U1~U4, quindi confermare premendo MODALITÀ.
- Selezionare il sesso, ruotare la manopola per selezionare Maschio/Femmina, quindi confermare premendo MODALITÀ.
- Selezionare l'età, ruotare la manopola per selezionare 1~99, quindi confermare premendo MODALITÀ.
- Selezionare l'altezza, ruotare la manopola per selezionare 100~200, quindi confermare premendo MODALITÀ.
- Selezionare il peso, ruotare la manopola per selezionare 20~150, quindi confermare premendo MODALITÀ.

### Selezione dell'allenamento

Utilizzare SU/GIÙ per selezionare:

|          |                              |
|----------|------------------------------|
| M        | Manualmente                  |
| P1 ~ P12 | Profilo programma 1 ~ 12     |
| HRC      | Controllo frequenza cardiaca |
| W        | Controllo Watt               |
| U        | Programma utente             |

### Spegnimento

In assenza di segnale trasmesso nel monitor per 4 minuti, il monitor entrerà automaticamente in modalità SLEEP.

## Programmi

### Avvio rapido

- Premere il tasto START/STOP per iniziare l'allenamento senza alcuna impostazione predefinita.
- Utilizzare SU/GIÙ per regolare il livello di resistenza durante l'allenamento.

### Terminare l'allenamento

- Premere START/STOP in modalità allenamento per fermare/mettere in pausa l'allenamento.  
Per riprendere l'allenamento, premere il tasto START/STOP in modalità pausa.
- Premere il tasto RESET (in modalità Pausa) per reimpostare tutti i dati dell'allenamento.
- Tenere premuto il tasto RESET per oltre 2 secondi per resettare la console. (I dati dell'allenamento attivo andranno persi)

### Modalità manuale

- Utilizzare la funzione Su/Giù per selezionare il programma di allenamento, selezionare la modalità M (manuale), quindi confermare premendo MODALITÀ.
- Utilizzare la funzione Su/Giù per impostare il livello di tensione, quindi confermare premendo MODALITÀ.
- Utilizzare il tasto Su/Giù per preimpostare il tempo di allenamento, quindi confermare premendo MODALITÀ.
- Utilizzare il tasto Su/Giù per preimpostare la distanza di allenamento, quindi confermare premendo MODALITÀ.
- Utilizzare il tasto Su/Giù per preimpostare le calorie di allenamento, quindi confermare premendo MODALITÀ.
- Utilizzare il tasto Su/Giù per preimpostare un limite per il battito cardiaco, quindi confermare premendo MODALITÀ.

**NOTA**

- Quando si impostano più obiettivi, l'allenamento si concluderà al primo obiettivo raggiunto.
  - Lasciando un obiettivo vuoto, questo non sarà visto come un limite preimpostato.
  - Quando si imposta un limite per il battito cardiaco, l'allenamento non si fermerà quando si supera il limite impostato. Un allarme acustico notificherà come avviso all'utente il superamento del limite.
- Premere il tasto START/STOP per iniziare l'allenamento
  - Utilizzare il tasto SU/GIÙ per regolare il livello di resistenza. Il livello di carico viene visualizzato nella finestra LIVELLO.

**Profilo programma 1~12**

- Utilizzare la funzione Su/Giù per selezionare il programma di allenamento, selezionare uno dei profili predefiniti, quindi confermare premendo MODALITÀ.
  - Utilizzare la funzione Su/Giù per impostare il livello di tensione, quindi confermare premendo MODALITÀ.  
Il profilo completo verrà scalato in modo proporzionale.
  - Utilizzare il tasto Su/Giù per preimpostare il tempo di allenamento, quindi confermare premendo MODALITÀ.
- Premere il tasto START/STOP per iniziare l'allenamento
  - Utilizzare il tasto SU/GIÙ per regolare il livello di resistenza.  
Il profilo completo verrà scalato in modo proporzionale  
Il livello di carico viene visualizzato nella finestra LIVELLO.

Nella modalità Programma del profilo, la tensione verrà regolata automaticamente a un profilo predefinito.

**NOTA**

- La durata di ciascun segmento nel profilo è 1/8 del tempo di allenamento predefinito.
- Se non viene impostato alcun tempo di allenamento, la durata di ciascun segmento sarà ± 20 secondi, e il profilo verrà riavviato ripetutamente finché non viene fermato l'allenamento.

**Modalità cardio**

- Utilizzare la funzione Su/Giù per selezionare il programma di allenamento, selezionare HRC (icona cuore), quindi confermare premendo MODALITÀ.
- Utilizzare la funzione Su/Giù per impostare l'obiettivo HRC.
  - 55% = 55% di 220 meno l'età
  - 75% = 75% di 220 meno l'età
  - 90% = 90% di 220 meno l'età
  - TA = Obiettivo (Predefinito 100)
 confermare premendo MODALITÀ.
- Per impostare il valore TA, utilizzare la funzione Su/Giù per impostare l'obiettivo (30~230), quindi confermare premendo MODALITÀ.
- Utilizzare il tasto Su/Giù per preimpostare il tempo di allenamento, quindi confermare premendo MODALITÀ.
- Premere il tasto START/STOP per iniziare l'allenamento
- Utilizzare RESET per tornare al menu principale.

Nella modalità cardio, la tensione verrà regolata automaticamente a un'insensibilità in cui la frequenza cardiaca raggiunge l'obiettivo HRC predefinito.

**Modalità Watt.**

- Utilizzare la funzione Su/Giù per selezionare il programma di allenamento, selezionare Controllo Watt (W),

quindi confermare premendo MODALITÀ.

- Utilizzare la funzione Su/Giù per impostare l'obiettivo Watt. 120 è il valore predefinito (10~350), confermare premendo MODALITÀ.
  - Utilizzare il tasto Su/Giù per preimpostare il tempo di allenamento, quindi confermare premendo MODALITÀ.
- Premere il tasto START/STOP per iniziare l'allenamento
  - Utilizzare RESET per tornare al menu principale.

Nella modalità Watt, la tensione verrà regolata automaticamente a un'insensibilità in cui i Watt raggiungono l'obiettivo watt predefinito.

**NOTA**

- Il parametro Watt è un calcolo di RPM e livello di tensione.  
Quando RPM è maggiore, la tensione sarà minore.  
Quando RPM è minore, la tensione sarà maggiore.

**Profilo utente**

- Utilizzare la funzione Su/Giù per selezionare il programma di allenamento, selezionare Profilo utente, quindi confermare premendo MODALITÀ.
  - Utilizzare la funzione Su/Giù per impostare il livello di tensione per il primo segmento di profilo, quindi confermare premendo MODALITÀ.
  - Ripetere la parte rimanente dei livelli di tensione del segmento del profilo allo stesso modo.
  - Tenere premuto il tasto MODALITÀ per 2 secondi per confermare e memorizzare il Profilo utente impostato.
  - Utilizzare il tasto Su/Giù per preimpostare il tempo di allenamento, quindi confermare premendo MODALITÀ.
- Premere il tasto START/STOP per iniziare l'allenamento
  - Utilizzare RESET per tornare al menu principale.

Nella modalità Programma utente, la tensione verrà regolata automaticamente a un profilo predefinito.

La durata di ciascun segmento nel profilo è 1/8 del tempo di allenamento predefinito.

**NOTA**

- Per ogni utente è disponibile un solo programma utente.

**Recupero**

- Il tasto RECUPERO sarà valido solo se viene rilevato un impulso.
- TIME mostrerà „0:60“ (secondi) e farà il conteggio alla rovescia fino a 0.
- Il computer mostrerà da F1 a F6 dopo il conteggio alla rovescia per testare lo stato di recupero della frequenza cardiaca. L'utente può trovare il livello di recupero della frequenza cardiaca basandosi sullo schema qui sotto.
- Premere nuovamente il tasto RECUPERO per ritornare all'inizio.

|    |                |
|----|----------------|
| F1 | Eccezionale    |
| F2 | Eccellente     |
| F3 | Buono          |
| F4 | Normale        |
| F5 | Sotto la media |
| F6 | Scarso         |

### Body Fat (Grasso corporeo)

- Premere il tasto GRASSO CORPOREO per iniziare la misurazione del grasso corporeo.
- Durante la misurazione, gli utenti devono tenere entrambe le mani sulle impugnature. LCD visualizza “-” “-” “-” “-” “-” per 8 secondi fino a quando il computer non terminerà la misurazione.
- LCD visualizzerà % di BMI e GRASSO.

### Codici di errore modalità grasso corporeo

- \*E-1  
Non è stato rilevato nessun input di segnale di frequenza cardiaca.
- \*E-4  
Si verifica quando il risultato di FAT% e BMI è inferiore a 5 o supera 50.

### Bluetooth & APP

- Questa console può collegare una APP al dispositivo smart tramite Bluetooth (iOS & Android).
- Una volta che la console è collegata al dispositivo smart tramite Bluetooth, la console si spegnerà.

#### ⚠️ NOTA

- Tunturi fornisce solo l'opzione per collegare la vostra console fitness tramite un collegamento bluetooth. Quindi Tunturi non può essere ritenuta responsabile di eventuali danni o malfunzionamento di prodotti che non siano prodotti Tunturi.
- Controllare il sito web per ulteriori informazioni.

Questa console può ricevere un trasmettitore di frequenza cardiaca Bluetooth. Non è necessario associare il dispositivo, poiché la console rileverà automaticamente il trasmettitore della frequenza cardiaca quando si trova nel raggio d'azione.

### Pulizia e manutenzione

L'apparecchio non richiede manutenzione speciale. L'apparecchio non richiede ricalibrazione quando viene assemblato, utilizzato e sottoposto a assistenza in conformità con le istruzioni.

#### ⚠️ ATTENZIONE

- Non utilizzare solventi per pulire l'apparecchio.
- Pulire l'apparecchio con un panno morbido e assorbente dopo ogni uso.
- Verificare regolarmente che tutte le viti e i dadi siano serrati.
- Se necessario, lubrificare i raccordi.

### Difetti e malfunzionamenti

Nonostante il costante controllo di qualità, i singoli componenti possono causare difetti e malfunzionamenti all'apparecchio. Nella maggior parte dei casi, è sufficiente sostituire i componenti difettosi.

- Se l'apparecchio non funziona correttamente, contattare immediatamente il rivenditore.
- Fornire il numero di modello e il numero di serie dell'apparecchio al rivenditore. Comunicare la natura del problema, le condizioni d'uso e la data d'acquisto.

### Risoluzione dei problemi:

- Se la visualizzazione dello schermo LCD è debole, significa che le batterie devono essere cambiate.

- Se non c'è nessun segnale quando si pedala, controllare se il cavo è connesso bene.

#### ⚠️ NOTA

- Se si interrompe l'allenamento per 4 minuti, la schermata principale si spegnerà.
- Se il computer visualizza le cose in modo anomalo, reinserire le batterie e riprovare.

### Rulli cigolanti.

- Regolare uso: applicare 2cc. del lubrificante su entrambi i binari, ogni tre mesi.
- Quando le ruote troppo rumore mentre si sposta, applicare 2cc. di lubrificante per entrambe le rotaie.

#### ⚠️ ATTENZIONE

- Si consiglia di utilizzare un lubrificante a base di silicone.
- Eccessiva di lubrificante può suolo il danno tappeto o polvere può causare. Eliminare in modo abbondante di lubrificante con un panno asciutto.

### Sensazione di instabilità o instabilità durante l'uso

Se la macchina si sente instabile o instabile durante il funzionamento, è consigliabile regolare i piedini di supporto per portare il telaio all'altezza corretta. Leggi le istruzioni in questo manuale nella sezione: "Uso"

### Trasporto e stoccaggio

#### ⚠️ ATTENZIONE

- Per trasportare e spostare l'apparecchio sono necessarie almeno due persone.
- Posizionarsi in piedi davanti all'apparecchio da entrambi i lati e afferrare saldamente le impugnature. Sollevare la parte anteriore dell'apparecchio in modo da sollevare il retro sulle ruote. Spostare l'apparecchio e abbassarlo con cura. Collocare l'apparecchio su una base protettiva per evitare danni alla superficie del pavimento.
- Spostare l'apparecchiatura con attenzione sulle superfici irregolari. Non spostare l'apparecchio al piano superiore utilizzando le ruote ma sostenerlo per le impugnature.
- Riporre l'apparecchio in un luogo asciutto con la minore variazione di temperatura possibile.

### Informazioni aggiuntive

#### Smaltimento dell'imballo

Le linee guida governative chiedono di ridurre la quantità di rifiuti smaltiti nelle discariche. Per questo vi chiediamo di smaltire in modo responsabile tutti i rifiuti d'imballo presso dei centri di riciclaggio pubblici.

#### Smaltimento a fine vita

Noi di Tunturi speriamo che possiate godervi molti anni di piacevole uso dal nostro fitness trainer. Tuttavia, arriverà il momento quando il vostro fitness trainer arriverà alla fine della sua vita utile. Secondo la Legislazione Europea WEEE voi siete responsabili per uno smaltimento appropriato del vostro fitness trainer presso una struttura di raccolta pubblica autorizzata.

## Dati tecnici

| Parametro  | Unità di misura | Valore                |
|--|-----------------|-----------------------|
| Ricevitore per la frequenza cardiaca telemetrico | Frequenza       | 5.3 Khz/<br>Bluetooth |
| Lunghezza  | cm<br>inch      | 195,0<br>76.8         |
| Larghezza  | cm<br>inch      | 74,0<br>29.1          |
| Altezza  | cm<br>inch      | 162,0<br>63.8         |
| Peso   | kg<br>lbs       | 73.5<br>161.7         |
| Peso massimo utente                              | kg<br>lbs       | 120<br>265            |
| Adattatore Tensione Corrente                     | V<br>Ma.        | 9V-DC<br>1.0 A        |

## Garanzia

### Garanzia dell'attrezzo sportivo Tunturi

#### Condizioni di garanzia

Il consumatore è tutelato da tutti i diritti previsti dalla legislazione nazionale e riguardanti l'acquisto di beni di consumo. Questi diritti fondamentali non sono limitati dalle condizioni di garanzia. La garanzia entra in vigore solo se l'attrezzo in questione prodotto dall'azienda Tunturi Ltd. viene utilizzato in linea con le condizioni ambientali d'uso specificate dal fabbricante. Le condizioni ambientali d'uso degli attrezzi son

#### Condizioni per la garanzia

La garanzia entra in vigore dalla data dell'acquisto dell'attrezzo. Le condizioni per la garanzia possono variare in funzione del paese. Rivolgersi al rivenditore di zona per maggiori informazioni sulle condizioni per la garanzia.

#### Copertura della garanzia

L'azienda Tunturi Ltd ed i suoi rappresentanti non rispondono per nessun motivo dei danni indiretti causati all'acquirente dall'attrezzo. Per danni indiretti s'intendono quelli relativi al mandato sfruttamento dell'attrezzo, mancato guadagno o altri danni di natura economica.

#### Limiti di garanzia

La garanzia copre i difetti di materiale e fabbrica dell'attrezzo che si manifestano subito dopo l'acquisto. La garanzia copre solo i difetti che si manifestano durante l'uso normale e conforme alle istruzioni del manuale di installazione, manutenzione ed uso fornito da Tunturi. L'azienda Tunturi Ltd ed i suoi rivenditori non rispondono dei danni causati da eventi al di fuori del loro controllo. La garanzia riguarda solo il proprietario originario dell'attrezzo ed è in vigore solo in quei paesi in cui Tunturi Ltd dispone di un proprio rappresentante autorizzato. La garanzia non copre i difetti di quegli attrezzi o componenti che sono stati modificati senza l'espressa autorizzazione del fabbricante Tunturi Ltd. La garanzia non copre i difetti causati dalla normale usura, da un uso in condizioni non previste, dalla corrosione, dalla movimentazione e dal trasporto.

La garanzia non copre rumori o suoni emessi durante l'uso a meno che non impediscano l'uso dell'attrezzo e che non siano causati da un guasto all'attrezzo stesso.

La garanzia non comprende nemmeno i normali interventi di servizio dell'attrezzo, come per esempio la pulizia, lubrificazione, controllo periodico dei componenti né le piccole installazioni che può effettuare il cliente stesso e che non richiedono lo smontaggio/montaggio dell'attrezzo. Questi interventi sono, per esempio, la sostituzione del pannello, dei pedali o di altri componenti analoghi. La garanzia non copre gli interventi di riparazione previsti, se non vengono eseguiti da un rappresentante autorizzato Tunturi. Se sbagliate a seguire le istruzioni del manuale d'uso, decade subito la garanzia sul prodotto.

## Dichiarazione del fabbricante

Tunturi New Fitness BV dichiara che questo prodotto è conforme ai seguenti standard e direttive: EN 957 (HB), 89/336/CEE. Pertanto sul prodotto è apposto il marchio CE.

01-2017

Tunturi New Fitness BV  
Purmerweg 1  
1311 XE Almere  
Paesi Bassi

## Clausola di esonero della responsabilità

© 2017 Tunturi New Fitness BV  
Tutti i diritti riservati.

Il prodotto e il manuale sono soggetti a modifiche. Le specifiche tecniche possono essere modificate senza preavviso.



## Español

Este manual español es una traducción del texto inglés. No se pueden derivar derechos de esta traducción. El texto original en inglés prevalecerá.

## Índice

|  |           |
|--|-----------|
| <b>Bicicleta elíptica</b> .....                | <b>65</b> |
| <b>Advertencias de seguridad</b> .....         | <b>65</b> |
| Seguridad eléctrica .....                      | 65        |
| Instrucciones de montaje .....                 | 66        |
| Descripción (fig. A).....                      | 66        |
| Package contents (fig. B & C).....             | 66        |
| Montaje (fig. D).....                          | 66        |
| Apriete de tuercas y tornillos .....           | 66        |
| <b>Sesiones de ejercicio</b> .....             | <b>66</b> |
| Ejercicio Instrucciones.....                   | 66        |
| Del ritmo cardíaco.....                        | 67        |
| <b>Uso</b> .....                               | <b>67</b> |
| Fuente de alimentación (Fig. E-1) .....        | 68        |
| <b>Consola (fig F)</b> .....                   | <b>68</b> |
| Explicación de las funciones de pantalla ..... | 68        |
| Explicación de los botones .....               | 69        |
| Funcionamiento .....                           | 69        |
| Programas .....                                | 69        |
| Modo Recovery .....                            | 71        |
| Bluetooth & APP .....                          | 71        |
| <b>Limpieza y mantenimiento</b> .....          | <b>71</b> |
| Defectos y fallos .....                        | 71        |
| <b>Transporte y almacenamiento</b> .....       | <b>71</b> |
| Información adicional .....                    | 72        |
| <b>Datos técnicos</b> .....                    | <b>72</b> |
| <b>Garantía</b> .....                          | <b>72</b> |
| <b>Declaración del fabricante</b> .....        | <b>72</b> |
| <b>Descargo de responsabilidad</b> .....       | <b>72</b> |

## Bicicleta elíptica

¡Bienvenido al mundo de Tunturi Fitness!

Le agradecemos la compra de esta máquina Tunturi. Tunturi ofrece una amplia gama de máquinas de fitness profesionales como bicicletas elípticas, cintas de correr y bicicletas de ejercicio. La máquina Tunturi es adecuada para toda la familia, independientemente del nivel de forma física. Si desea información adicional, visite nuestro sitio web [www.tunturi.com](http://www.tunturi.com)

## Advertencias de seguridad

### ⚠ ADVERTENCIA

- Lea las advertencias de seguridad y las instrucciones. De no seguirse las advertencias de seguridad y las instrucciones pueden producirse lesiones personales o daños en la máquina. Conserve las advertencias de seguridad y las instrucciones para su consulta posterior.

### ⚠ ADVERTENCIA

- Los sistemas de motorización de frecuencia cardíaca pueden ser imprecisos. Un exceso de ejercicio puede provocar lesiones graves o incluso la muerte. Si se siente mareado, deje de hacer ejercicio inmediatamente.
- La máquina es adecuada únicamente para uso doméstico. La máquina no es adecuada para un uso comercial.
- El uso máx. Está limitado a 3 horas al día
- El uso de esta máquina por niños o por personas con una discapacidad física, sensorial o motora, o falta de experiencia y conocimientos, puede dar lugar a situaciones de riesgo. Las personas responsables de su seguridad deben dar instrucciones explícitas o supervisar el uso de la máquina.
- Antes de empezar a hacer ejercicio, consulte con un médico para comprobar su estado de salud.
- Si experimenta náuseas, mareos u otros síntomas anormales, deje de hacer ejercicio inmediatamente y consulte con un médico.
- Para evitar dolor y tensión muscular, realice un calentamiento antes de empezar a hacer ejercicio y termine haciendo relajación. Recuerde hacer estiramientos al final de la sesión de ejercicio.
- La máquina es adecuada únicamente para uso en interior. La máquina no es adecuada para un uso en exterior.
- Utilice la máquina únicamente en lugares con una ventilación adecuada. No utilice la máquina en lugares donde haya corriente para no resfriarse.
- Utilice la máquina únicamente en lugares con una temperatura ambiente entre 10 °C y 35 °C. Almacene la máquina únicamente en lugares con una temperatura ambiente entre 5 °C y 45 °C.
- No utilice ni almacene la máquina en espacios húmedos. La humedad del aire no debe ser superior al 80%.
- Utilice la máquina sólo para su uso previsto. No la utilice para otros fines que no sean los descritos en el manual.
- La máquina no debe utilizarse si alguna de las piezas ha sufrido daños o tiene algún defecto. Contacte con su proveedor si alguna de las piezas ha sufrido daños o tiene algún defecto.
- Mantenga las manos, los pies y demás partes del cuerpo alejadas de las piezas móviles.
- Mantenga el pelo alejado de las piezas móviles.
- Lleve ropa y calzado adecuado.
- Mantenga la ropa, las joyas y otros objetos alejados de las piezas móviles.
- Asegúrese de que sólo una persona utilice la máquina cada vez. La máquina no debe ser utilizada por personas cuyo peso supere los 120 kg (265 lbs).
- No abra la máquina sin consultar con su proveedor.

## Seguridad eléctrica

(Aplicable sólo para máquinas con limitación eléctrica)

- Antes del uso, compruebe siempre que la tensión de red sea la misma que la tensión indicada en la placa de características de la máquina.
- No utilice un cable alargador.
- Mantenga el cable de red alejado del calor, de aceite y de bordes afilados.
- No altere ni modifique el cable de red o el enchufe de red.
- No utilice la máquina si el cable de red o el enchufe de red ha sufrido daños o tiene algún defecto. Si el cable de red o el enchufe de red ha sufrido daños o tiene algún defecto, contacte con su proveedor.
- Desenrolle siempre el cable de red en su totalidad.

- No pase el cable de red debajo de la máquina. No pase el cable de red debajo de una alfombra. No coloque ningún objeto sobre el cable de red.
- Asegúrese de que el cable de red no cuelgue sobre el borde de una mesa. Asegúrese de que el cable de red no quede atrapado y que no sea posible tropezarse con él.
- No deje la máquina desatendida cuando el enchufe de red esté insertado en la toma de pared.
- No tire del cable de red para sacar el enchufe de la toma de pared.
- Retire el enchufe de red de la toma de pared cuando la máquina no se esté utilizando, antes del montaje o el desmontaje o antes de la limpieza y el mantenimiento.

## Instrucciones de montaje

### Descripción (fig. A)

La bicicleta elíptica es una máquina estacionaria de fitness que se utiliza para simular la acción de caminar o correr sin generar una presión excesiva en las articulaciones.

### Package contents (fig. B & C)

- El paquete contiene los elementos que se muestran en la fig. B.
- El paquete contiene los elementos de fijación que se muestran en la fig. C. consulte la sección "Descripción".

#### ⚠️ NOTA

- Si falta una pieza, contacte con su proveedor.

### Montaje (fig. D)

#### ⚠️ ADVERTENCIA

- Monte la máquina en el orden indicado.
- Al menos dos personas deben transportar y mover la máquina.

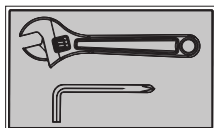
#### ⚠️ PRECAUCIÓN

- Coloque la máquina sobre una superficie firme y nivelada.
- Coloque la máquina sobre una base protectora para evitar daños en la superficie del suelo.
- Deje unos 100 cm de espacio alrededor de la máquina.
- Consulte las ilustraciones para el correcto montaje de la máquina.

#### ⚠️ NOTA

- Guarde las herramientas suministradas con este producto una vez que haya completado el montaje del producto, para futuros fines de servicio.

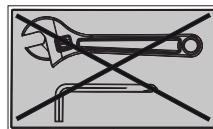
### Apriete de tuercas y tornillos



Apriete firmemente todos los tornillos y las tuercas cuando se hayan ensamblado todos los componentes correspondientes al paso actual y los anteriores.

#### ⚠️ NOTA

- No apriete en exceso ningún componente de funcionamiento pivotante.
- Asegúrese de que todos los componentes pivotantes pueden moverse con libertad.



No apriete todos los tornillos y las tuercas en este paso.

## Sesiones de ejercicio

La sesión de ejercicio debe ser ligera, pero de larga duración. El ejercicio aeróbico se basa en mejorar el consumo de oxígeno máximo del cuerpo, lo que a su vez mejora la resistencia y la forma física. Debe transpirar, pero no debe quedarse sin aliento durante la sesión de ejercicio. Para lograr y mantener un nivel de forma física básico, debe realizar ejercicio al menos tres veces a la semana, 30 minutos cada vez. Aumente el número de sesiones de ejercicio para mejorar su nivel de forma física. Vale la pena combinar el ejercicio regular con una dieta sana. Una persona que se encuentre a dieta debe realizar ejercicio a diario, al principio 30 minutos o menos cada vez, aumentando gradualmente el tiempo de ejercicio diario hasta una hora. Empiece la sesión de ejercicio a velocidad baja y resistencia baja para evitar que el sistema cardiovascular se vea sometido a una tensión excesiva. A medida que mejore el nivel de forma física, pueden aumentarse gradualmente la velocidad y la resistencia. La eficiencia de su ejercicio puede medirse supervisando su frecuencia cardíaca y sus pulsaciones.

### Ejercicio Instrucciones

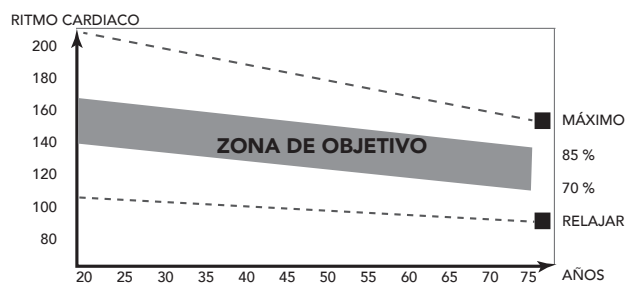
El uso de su entrenador le aportará muchas ventajas, mejorará su tono físico, tonificará los músculos y, combinado con una dieta con un consumo controlado de calorías, le ayudará a perder peso.

#### Fase de calentamiento

Esta fase mejora la circulación y favorece el buen funcionamiento de los músculos. Asimismo, reduce el riesgo de calambres y de lesiones musculares. Es conveniente realizar una serie de ejercicios de estiramiento, como se muestra más abajo. Al estirar se debe mantener la posición durante unos 30 segundos; no fuerce los músculos ni realice movimientos bruscos para estirarlos, si duele, PARE inmediatamente.

#### Fase de ejercicio

Esta es la fase de esfuerzo. Tras un uso regular, los músculos de las piernas irán ganando flexibilidad. Es importante mantener un ritmo estable durante toda esta fase. El ejercicio debe ser lo suficientemente fuerte como para incrementar el ritmo cardíaco hasta el objetivo que se muestra en el siguiente cuadro.



Esta fase debe tener una duración mínima de 12 minutos, aunque la mayoría de las personas empiezan a los 15-20 minutos.

#### Fase de enfriamiento

La finalidad de esta fase es permitir que se relaje el sistema cardiovascular y los músculos. Es una repetición del ejercicio de calentamiento, por lo que debe ir reduciendo el ritmo de manera constante durante unos 5 minutos. En este momento debe repetir

también los ejercicios de estiramiento, evitando de nuevo forzar los músculos o hacer movimientos bruscos.

A medida que vaya mejorando su forma física, es posible que el entrenamiento tenga que ser más largo e intenso. Es aconsejable entrenarse al menos tres veces a la semana, espaciando de manera uniforme, en la medida de lo posible, los entrenamientos durante la semana.

### Tonificación muscular

Si quiere tonificar los músculos mientras trabaja con el aparato, deberá ajustar la resistencia en un nivel bastante alto. Así aumentará la tensión sobre los músculos de las piernas, con lo que es posible que no pueda entrenarse durante todo el tiempo que le gustaría. Si quiere mejorar su condición física, tendrá que modificar también el programa de entrenamiento. El entrenamiento durante las fases de calentamiento y enfriamiento será igual, pero debe aumentar la resistencia hacia el final de la fase de ejercicio para incrementar el esfuerzo del tren inferior. Tendrá que reducir la velocidad para mantener el ritmo cardíaco en la zona objetivo.

### Pérdida de peso

El factor determinante en este sentido es el esfuerzo realizado. Cuanto más intenso y prolongado sea el ejercicio físico, más calorías quemará. En realidad, es lo mismo que si se entrenara para mejorar la condición física, lo que cambia es el objetivo.

## Del ritmo cardíaco

### Medición de las pulsaciones (sensor de pulsaciones de mano)

Las pulsaciones se miden con unos sensores en los manillares cuando el usuario toca ambos sensores al mismo tiempo.

ligeramente húmeda y tocar constantemente los sensores de pulsaciones de mano. Si la piel está demasiado seca o demasiado húmeda, la medición de las pulsaciones puede resultar menos precisa.

#### NOTA

- No utilice los sensores de pulsaciones de mano en combinación con una correa en el pecho para la frecuencia cardíaca.
- Si define un límite de frecuencia cardíaca para su sesión de ejercicio, cada vez que éste se supere sonará una alarma.

### Medición de la frecuencia cardíaca (correa en el pecho para la frecuencia cardíaca)

#### NOTA

- Una correa de pecho no viene de serie con este entrenador. Cuando te gusta usar una correa de cofre inalámbrica, debes comprarla como accesorio.

La medición más precisa de la frecuencia cardíaca se logra con una correa en el pecho para la frecuencia cardíaca. La frecuencia cardíaca se mide con un receptor de frecuencia cardíaca en combinación con una correa transmisora de la frecuencia cardíaca. Para una medición precisa de la frecuencia cardíaca es necesario que los electrodos de la correa transmisora estén ligeramente húmedos y que toquen constantemente la piel. Si los electrodos están demasiado secos o demasiado húmedos, la medición de la frecuencia cardíaca puede resultar menos precisa.

#### ADVERTENCIA

- Si usted tiene un marcapasos, consulte con un médico antes de utilizar una correa en el pecho para la frecuencia cardíaca.

#### PRECAUCIÓN

- Si hay varios dispositivos de medición de frecuencia cardíaca en proximidad, asegúrese de que la distancia entre ellos sea de al menos 2 metros.
- Si sólo hay un receptor de frecuencia cardíaca y varios transmisores, asegúrese de que sólo una persona con un transmisor se encuentre en la zona de transmisión.

#### NOTA

- No utilice una correa en el pecho para la frecuencia cardíaca en combinación con sensores de pulsaciones de mano.
- Lleve siempre la correa en el pecho para la frecuencia cardíaca debajo de la ropa, en contacto directo con la piel. No lleve la correa en el pecho para la frecuencia cardíaca por encima de la ropa. Si lleva la correa en el pecho para la frecuencia cardíaca por encima de la ropa, no habrá señal.
- Si define un límite de frecuencia cardíaca para su sesión de ejercicio, cada vez que éste se supere sonará una alarma.
- El transmisor transmite la frecuencia cardíaca a la consola hasta una distancia de 1,5 metro. Si los electrodos no están húmedos, la frecuencia cardíaca no aparece en la pantalla.
- Algunas fibras de la ropa (p. ej. poliéster, poliamida) generan electricidad estática, la cual puede impedir la medición precisa de la frecuencia cardíaca.
- Los teléfonos móviles, las televisiones y otros aparatos eléctricos generan un campo electromagnético que puede impedir la medición precisa de la frecuencia cardíaca.

### Frecuencia cardíaca máxima (durante el entrenamiento)

alcanzar una persona de forma segura por la tensión del ejercicio. Se utiliza la siguiente fórmula para calcular la frecuencia cardíaca máxima media:  $220 - \text{EDAD}$ . La frecuencia cardíaca máxima varía según la persona.

#### ADVERTENCIA

- Asegúrese de no superar la frecuencia cardíaca máxima durante la sesión de ejercicio. Si usted se encuentra en un grupo de riesgo, consulte con un médico.

### Principiante 50-60% de frecuencia cardíaca máxima

Adecuada para principiantes, personas que cuidan la línea, convalecientes y personas que no han hecho ejercicio en mucho tiempo. Haga ejercicio al menos tres veces a la semana, 30 minutos cada vez.

### Avanzado 60-70% de frecuencia cardíaca máxima

Adecuada para personas que desean mejorar y mantener la forma física. Haga ejercicio al menos tres veces a la semana, 30 minutos cada vez.

### Experto 70-80% de frecuencia cardíaca máxima

Adecuado para personas con muy buena forma física que están acostumbradas a sesiones de ejercicio de gran resistencia.

## Uso

### Ajuste de los pies de soporte

La máquina está equipada con 6 pies de soporte. Si la máquina no está estable, es posible ajustar los pies de soporte.

- Gire los pies de soporte tanto como sea necesario para estabilizar la máquina.

- Apriete las contratueras para bloquear los pies de soporte.

## ⚠ NOTA

- La máquina es más estable cuando todos los pies de soporte están totalmente girados hacia dentro. Por tanto, empiece a nivelar la máquina girando totalmente hacia dentro todos los pies de soporte, antes de girar hacia fuera el pie de soporte necesario para estabilizar la máquina.

## ⚠ ADVERTENCIA

- (Abb. E-2) Para evitar daños en su suelo, asegurarse que "U shape holder" no toca el suelo cuando esté usando el equipo. Obtener altura para el "U shape Slider" ajustando el "Adjusting cushion" si lo necesita. ( Ver paso d D-1C-A de montaje)

## Ajuste de la consola

La consola puede ajustarse en función de la altura y la posición de ejercicio del usuario.

- Afloje el pomo de ajuste de la consola.
- Mueva la consola a la posición deseada.
- Apriete el pomo de ajuste de la consola.

## Fuente de alimentación (Fig. E-1)

El entrenador se alimenta desde una fuente de alimentación externa. Consulte la ilustración para ubicar la entrada de alimentación del entrenador.

## ⚠ NOTA

- Conecte la fuente de alimentación al entrenador antes de enchufarlo a una toma de corriente de la pared.
- Quite siempre el cable de alimentación cuando
- no utilice la máquina.

## Consola (fig F)



1. Pantalla
2. Soporte de tableta/libro
3. Botones

## ⚠ PRECAUCIÓN

- Mantenga la consola alejada de la luz solar directa.
- Seque la superficie de la consola cuando esté cubierta de gotas de sudor.

- No se apoye en la consola.
- Toque la pantalla únicamente con la punta del dedo. Asegúrese de no tocar la pantalla con las uñas ni objetos afilados.

## ⚠ NOTA

- La consola pasa al modo de espera activa cuando la máquina no se usa durante 4 minutos.

## Explicación de las funciones de pantalla

### Time (Tiempo)

- Si no se establece el valor objetivo, se continuará contabilizándose el tiempo.
- Al establecer el valor objetivo, se restará el tiempo del valor objetivo de tiempo hasta 0 con un sonido de alarma o un destello. El tiempo continuará contabilizándose si no se detiene el entrenamiento una vez alcanzado el objetivo.
- Si no se transmite ninguna señal al monitor durante 4 segundos de duración del ejercicio, el tiempo se DETENDRÁ
- Rango 0:00 ~ 99:59

### Speed (Velocidad)

- Muestra la velocidad actual del entrenamiento.
- Rango 0.0 ~ 99.9
- Si no se transmite ninguna señal al monitor durante 4 segundos de duración de un ejercicio, VELOCIDAD mostrará "0.0"

### RPM

- Muestra las rotaciones por minuto
- Rango 0 ~ 999
- Si no se transmite ninguna señal al monitor durante 4 segundos de duración de un ejercicio, RPM mostrará "0"

### Watt (Vatios)

- Muestra los vatios del ejercicio actual. Rango 0 ~ 999

### Level

- Muestra el ajuste del nivel de tensión, al ajustar la resistencia, durante 3 segundos.

### Distance (Distancia)

- Si no se establece el valor objetivo, se continuará contabilizándose la distancia.
- Al establecer el valor objetivo, se restará la distancia del valor objetivo de distancia hasta 0 con un sonido de alarma o un destello. La distancia continuará contabilizándose si no se detiene el entrenamiento una vez alcanzado el objetivo.
- Rango 0.00 ~ 99.99

### Calories (Calorías)

- Si no se establece el valor objetivo, se continuará contabilizándose calorías.
- Al establecer el valor objetivo, se restarán calorías del valor objetivo de calorías hasta 0 con un sonido de alarma o un destello. Las calorías continuarán contabilizándose si no se detiene el entrenamiento una vez alcanzado el objetivo.
- Rango 0~999

## ⚠ NOTA

- Estos datos son una guía aproximada para la comparación de distintas sesiones de ejercicios que no pueden utilizarse en tratamientos médicos

**Pulse (Pulso)**

- El pulso actual se presentará en pantalla después de 6 segundos de haber sido detectado por la consola.
- Si no hay ninguna señal de pulso durante 6 segundos, la consola mostrará "P".
- La alarma de pulso sonará cuando el pulso actual sea superior al pulso objetivo.
- Rango 0 ~ 230 PPM

**BAI™**

- Visualización consumo BAI valor BAI durante el entrenamiento.
- Rango de visualización 0 ~ 999

**⚠️ NOTA**

- BAI (índice de actividad corporal, por sus siglas en inglés) es la suma del volumen de entrenamiento efectivo.
- Volumen de entrenamiento = intensidad de entrenamiento x tiempo de entrenamiento.

BAI calcula el volumen de entrenamiento efectivo basándose en su ritmo cardíaco, edad, sexo y duración.

Durante el ejercicio, podrá ver cómo BAI se va acumulando. En cuanto termine una sesión de ejercicio, podrá obtener unos puntos BAI totales de esta sesión, que será el volumen de entrenamiento efectivo total de esta sesión.

Si entrena más fuerte, con un ámbito de ritmo cardíaco más elevado, conseguirá puntos BAI más deprisa. Si entrena más suavemente, con un ámbito de ritmo cardíaco más bajo, conseguirá puntos BAI despacio. Le recomendamos que entrene de forma que acumule 100 puntos BAI todas las semanas para así mejorar su capacidad de ejercicio cardiovascular.

**Explicación de los botones****Arriba (Marcar)**

- Gire el selector en sentido horario para aumentar el valor.
- Aumentar el nivel de resistencia.

**Abajo (Selector)**

- Gire el selector en sentido anti-horario para reducir el valor.
- Disminuir el nivel de resistencia.

**Mode/ Enter (Modo/ Intro)**

- Elija cada función pulsando la tecla MODO/INTRO

**Reset (Reinicio)**

- En el modo de ajustes, pulse la tecla REINICIO una vez para reiniciar las cifras de la función actual.
- Pulse y mantenga pulsada la tecla REINICIO durante 2 segundos para reiniciar todas las cifras de la función.

**Start/ Stop**

- Iniciar o detener (pausa) la sesión de ejercicio.

**Body Fat (Grasa corporal)**

- Compruebe su porcentaje de grasa corporal y su IMC (índice de masa corporal).

**Recovery (Recuperación)**

- Una vez que la consola detecta la señal del pulso, pulse la tecla RECUPERAR para entrar en el modo de recuperación y de esta manera monitorizar la capacidad de recuperación del ritmo cardíaco.

**Funcionamiento****Encendido**

- Enchufe el suministro eléctrico, el ordenador se encenderá y mostrará todos los segmentos en la LCD durante 2 segundos.
- Pulse cualquier tecla para encender la consola cuando se está en el modo dormir
- Empiece a pedalear para encender la consola cuando se está en el modo dormir.

La pantalla LCD mostrará todos los segmentos (fig. F-01)

**Configurar usuario**

- Seleccione el usuario, gire el dial para seleccionar U1~U4, confirme pulsando MODE.
- Seleccione el sexo, gire el dial para seleccionar Hombre/Mujer, confirme pulsando MODE.
- Seleccione la edad (A), gire el dial para seleccionar 1~99, confirme pulsando MODE.
- Seleccione la altura (H), gire el dial para seleccionar 100~200, confirme pulsando MODE.
- Seleccione el peso (W), gire el dial para seleccionar 20~150, confirme pulsando MODE.

**Selección del entrenamiento**

Use las flechas ARRIBA/ABAJO del dial para seleccionar:

|          |                           |
|----------|---------------------------|
| M        | Manualmente               |
| P1 ~ P12 | Perfil de programa 1 ~ 12 |
| HRC      | Control de ritmo cardíaco |
| W        | Control de vatios         |
| U        | Programa de usuario       |

**Apagado**

Si no se transmite ninguna señal al monitor durante 4 minutos, el monitor entrará en el modo DORMIR automáticamente.

**Programas****Inicio rápido**

- Pulse la tecla START/STOP para iniciar el entrenamiento sin ningún ajuste predeterminado.
- Use las flechas ARRIBA/ABAJO del dial para ajustar el nivel de resistencia durante el entrenamiento.

**Fin del entrenamiento**

- Pausa START/STOP en el modo de entrenamiento para detener o hacer una pausa en la sesión.  
Para reanudar el entrenamiento, pulse el botón START/STOP en el modo de pausa.
- Pulse la tecla RESET (en modo de pausa) para restablecer todos los datos del entrenamiento.
- Pulse y mantenga pulsada la tecla RESET durante 2 segundos para reiniciar la consola. (Se perderán los datos del entrenamiento activo)

**Modo manual**

- Use la función Arriba/Abajo del dial para seleccionar el programa de entrenamiento, Seleccione modo M (manual), confirme pulsando MODE.
- Use la función Arriba/Abajo del dial para seleccionar el nivel de tensión, confirme pulsando MODE.

- Use la tecla Arriba/Abajo del dial para predeterminar el tiempo de entrenamiento, confirme pulsando MODE.
- Use la tecla Arriba/Abajo del dial para predeterminar la distancia de entrenamiento, confirme pulsando MODE.
- Use la tecla Arriba/Abajo del dial para predeterminar las calorías del entrenamiento, confirme pulsando MODE.
- Use la tecla Arriba/Abajo del dial para ajustar un límite del pulso, confirme pulsando MODE.

## ⚠️ NOTA

- Cuando determine más de un objetivo, el entrenamiento se terminará en cuanto se alcance el primer objetivo.
  - Si deja un objetivo en blanco, no se considerará como un límite predeterminado.
  - Cuando ajuste un límite del pulso, el entrenamiento no se detendrá cuando se exceda el límite determinado. Una alarma acústica notificará al usuario advirtiéndole de que se ha excedido el límite.
- Pulse la tecla START/STOP para iniciar la sesión
  - Use la tecla ARRIBA/ABAJO del dial para ajustar el nivel de resistencia. El nivel de carga se muestra en la ventana LEVEL.

## Perfil de programa 1 ~ 12

- Use la función Arriba/Abajo del dial para seleccionar el programa de entrenamiento, seleccione uno de los perfiles predeterminados, confirme pulsando MODE.
  - Use la función Arriba/Abajo del dial para determinar el nivel de tensión, confirme pulsando MODE.  
El perfil completo se redimensionará de forma proporcional.
  - Use la tecla Arriba/Abajo del dial para predeterminar el tiempo de entrenamiento, confirme pulsando MODE.
- Pulse la tecla START/STOP para iniciar la sesión
  - Use la tecla ARRIBA/ABAJO del dial para ajustar el nivel de resistencia.  
El perfil completo se redimensionará de forma proporcional  
El nivel de carga se muestra en la ventana LEVEL.

En el modo de perfil de programa, la tensión se ajustará automáticamente a un perfil predeterminado.

## ⚠️ NOTA

- La duración de cada segmento en el perfil es 1/8 del tiempo de entrenamiento predeterminado.
- Si no se ha determinado un tiempo de entrenamiento, la duración de cada segmento será  $\pm 20$  segundos y el perfil se reiniciará una y otra vez hasta que usted mismo detenga el entrenamiento.

## Modo Cardio.

- Use la función Arriba/Abajo del dial para seleccionar el programa de entrenamiento, seleccione HRC (icono del corazón), confirme pulsando MODE.
- Use la función Arriba/Abajo del dial para determinar el objetivo del ritmo cardíaco HRC:
 

|     |   |                            |                   |
|-----|---|----------------------------|-------------------|
| 55% | = | 55%                        | de 220 menos edad |
| 75% | = | 75%                        | de 220 menos edad |
| 90% | = | 90%                        | de 220 menos edad |
| TA  | = | Objetivo (por defecto 100) |                   |

confirme pulsando MODE.

- Cuando determine TA, use la función Arriba/Abajo del dial para determinar el objetivo (30~230), confirme pulsando MODE.
  - Use la tecla Arriba/Abajo del dial para predeterminar el tiempo de entrenamiento, confirme pulsando MODE.
- Pulse la tecla START/STOP para iniciar la sesión
  - Use RESET para volver al menú principal.

En el modo Cardio, la tensión se ajustará automáticamente a una insensibilidad en la que su ritmo cardíaco alcance el objetivo HRC predeterminado.

## Modo Vatios

- Use la función Arriba/Abajo del dial para seleccionar el programa de entrenamiento, seleccione control de vatios (W), confirme pulsando MODE.
  - Use la función Arriba/Abajo del dial para determinar el objetivo de vatios: 120 es el valor predeterminado (10~350) confirme pulsando MODE.
  - Use la tecla Arriba/Abajo del dial para predeterminar el tiempo de entrenamiento, confirme pulsando MODE.
- Pulse la tecla START/STOP para iniciar la sesión
  - Use RESET para volver al menú principal.

En modo Vatios, la tensión se ajustará automáticamente a una insensibilidad en la que los Vatios alcancen el objetivo de vatios que se haya predeterminado.

## ⚠️ NOTA

- El parámetro Vatios es un cálculo de las RPM y el nivel de tensión.  
Cuando las RPM sean más altas, la tensión será más baja.  
Cuando las RPM sean más bajas, la tensión será más alta.

## Perfil de usuario

- Use la función Arriba/Abajo del dial para seleccionar el programa de entrenamiento, seleccione perfil de usuario (U), confirme pulsando MODE.
  - Use la función Arriba/Abajo del dial para determinar el nivel de tensión para el primer segmento del perfil.  
Confirme pulsando MODE.
  - Repita de la misma manera el resto de niveles de tensión de los segmentos del perfil.
  - Pulse y mantenga pulsado el botón MODE durante 2 segundos para confirmar y guardar el perfil de usuario determinado.
  - Use la tecla Arriba/Abajo del dial para predeterminar el tiempo de entrenamiento, confirme pulsando MODE.
- Pulse la tecla START/STOP para iniciar la sesión
  - Use RESET para volver al menú principal.

En el modo de perfil de programa de usuario, la tensión se ajustará automáticamente al perfil predeterminado.

La duración de cada segmento en el perfil es 1/8 del tiempo de entrenamiento predeterminado.

## ⚠️ NOTA

- Hay un programa de usuario disponible por usuario.

## Modo Recovery

- La tecla de "RECOVERY" solo será válida si se detecta pulso.
- La HORA mostrará „0:60" (segundos) y contará hacia abajo hasta 0.
- El ordenador mostrará F1 a F6 una vez finalizada la cuenta atrás para probar el estado de recuperación del ritmo cardíaco. El usuario podrá encontrar el nivel de recuperación del ritmo cardíaco según la tabla siguiente.
- Pulse la tecla "RECOVERY" nuevamente para volver al principio.

|    |                         |
|----|-------------------------|
| F1 | Extraordinario          |
| F2 | Excelente               |
| F3 | Bueno                   |
| F4 | Justo                   |
| F5 | Por debajo del promedio |
| F6 | Deficiente              |

### Body Fat (Grasa corporal)

- Pulse la tecla "BODY FAT" para iniciar la medida de la grasa corporal.
- Durante la medición, los usuarios tienen que mantener ambas manos sobre las empuñaduras. La pantalla LCD mostrará "- - - - -" durante 8 segundos hasta que el ordenador termine la medición.
- La pantalla LCD mostrará el IMC y el porcentaje de GRASA.

#### ⚠️ NOTA

- Se requiere un "Ajuste del perfil de usuario" correcto para llevar a cabo esta función.

### Códigos de error del modo Grasa Corporal

- \*E-1  
No se detecta señal de entrada de ritmo cardíaco.
- \*E-4  
Ocurre cuando el porcentaje de GRASA y el IMC dan valores por debajo de 0 o superiores a 50.

## Bluetooth & APP

- Esta consola puede conectarse con una App de un dispositivo móvil inteligente vía Bluetooth (iOS & Android)
- Establezca la conexión Bluetooth sólo a través del modo de conexión en la aplicación instalada en su teléfono smart.
- Cuando la consola se haya conectado al dispositivo inteligente vía Bluetooth, la consola se apagará.

#### ⚠️ NOTA

- Tunturi solo ofrece la opción de conectar su consola de ejercicios físicos mediante conexión Bluetooth. Por tanto, Tunturi no se hace responsable por posibles daños o funcionamiento incorrecto de productos que no sean de la marca Tunturi.
- Consulta el sitio web para obtener información adicional

Esta consola puede recibir un transmisor de frecuencia cardíaca Bluetooth. No es necesario vincular el dispositivo, ya que la consola detectará automáticamente el transmisor de frecuencia cardíaca cuando esté dentro del rango.

## Limpieza y mantenimiento

La máquina no requiere un mantenimiento especial. No es necesario recalibrar la máquina cuando ésta se ha montado, utilizado y mantenido según las instrucciones.

### ⚠️ ADVERTENCIA

- No utilice disolventes para limpiar la máquina.
- Limpie la máquina con un paño suave y absorbente tras cada uso.
- Compruebe periódicamente que todos los tornillos y las tuercas estén apretados.
- En caso necesario, lubrique las juntas.

## Defectos y fallos

Pese al continuo control de calidad que realizamos, el equipo puede presentar defectos o malfuncionamientos debidos a fallos en componentes individuales. En la mayoría de los casos no es necesario llevar todo el equipo a reparar, y generalmente es suficiente con reemplazar la parte defectuosa.

Si el equipo no funciona correctamente durante su uso, tome contacto inmediatamente con su proveedor Tunturi. Relate la naturaleza del problema, las condiciones de uso, la fecha de compra, el modelo y el número de serie.

En el reverso de esta guía encontrará la lista de piezas. Utilice sólo piezas de repuesto mencionadas en la lista de piezas de repuesto.

### Solución de problemas:

- Si no hay señal al pedalear, por favor compruebe que el cable esté bien conectado.

#### ⚠️ NOTA

- Al detener el entrenamiento durante 4 minutos, la pantalla principal se apagará.
- Si la computadora muestra una imagen anormal, reinstale el transformador e intente nuevamente.

### Rodillos chirriantes.

- Regular el uso: Aplicar 2cc. del lubricante en los dos carriles, cada tres meses.
- Cuando las ruedas demasiado ruido menovimiento, aplicar 2cc. del lubricante a los dos carriles.

### ⚠️ ADVERTENCIA

- Recomendamos utilizar un lubricante a base de silicona.
- Demasiado lubricante puede dañar la alfombra el suelo o el polvo. Limpie tan abundante de lubricante con un paño seco

### Sensación inestable o inestable durante el uso

Si la máquina se siente inestable o inestable durante la operación, se recomienda ajustar los pies de apoyo para que el marco alcance la altura correcta. Lea las instrucciones en este manual en la sección: "Uso"

## Transporte y almacenamiento

### ⚠️ ADVERTENCIA

- Al menos dos personas deben transportar y mover la máquina.
- Hay que colocarse de pie delante de la máquina en cada lado y agarrar bien por los manillares. Levante la parte delantera de la máquina para poder levantar la parte trasera sobre las ruedas. Mueva la máquina y bájela con cuidado. Coloque la máquina sobre una base protectora para evitar daños en la superficie del suelo.

- Mueva la máquina con cuidado sobre superficies irregulares. No suba la máquina por las escaleras usando las ruedas; transporte la máquina por los manillares.
- Almacene la máquina en un lugar seco con la menor variación de temperatura posible.

## Información adicional

### Eliminación de embalajes

Las pautas gubernamentales exigen reducir la cantidad de residuos que se depositan en los basureros. Por este motivo, le rogamos que deseche los embalajes de manera responsable en centros públicos de reciclaje.

### Eliminación al final de la vida útil

Desde Tunturi esperamos que disfrute de su equipo de entrenamiento durante muchos años. No obstante, llegará un momento en que éste llegue al final de su vida útil. Conforme a la Directiva WEEE (relativa a la gestión de residuos procedentes de equipos eléctricos y electrónicos) le corresponde a usted la responsabilidad de desechar adecuadamente su equipo de entrenamiento en un centro público autorizado de recogida.

## Datos técnicos

| Parámetro                                       | Unidad de medición | Valor                 |
|---|--------------------|-----------------------|
| Receptor telemétrico de la frecuencia cardíaca. | Frecuencia         | 5.3 Khz/<br>Bluetooth |
| Longitud  | cm<br>inch         | 195,0<br>76.8         |
| Anchura   | cm<br>inch         | 74,0<br>29.1          |
| Altura  | cm<br>inch         | 162,0<br>63.8         |
| Peso  | kg<br>lbs          | 73.5<br>161.7         |
| Peso máx. del usuario                           | kg<br>lbs          | 120<br>265            |
| Adaptador                                       | V<br>Ma.           | 9V-DC<br>1.0 A        |

## Garantía

### Garantía del propietario del equipo Tunturi

#### Condiciones de la garantía

El consumidor tiene derecho a la aplicación de los derechos legales específicos de la legislación nacional concernientes al comercio de bienes de consumo y esta garantía no limita dichos derechos. La Garantía del Propietario sólo estará en vigor cuando el equipo se utilice en el entorno de uso permitido por Tunturi New Fitness BV para dicho equipo de ejercicio. En las instrucciones de uso de cada aparato se especifica el entorno de uso permitido para el mismo.

#### Términos de la garantía

Los términos de la garantía comenzarán el día de la compra. Los términos de garantía pueden variar por país, así que consulte con su distribuidor local para ver cuáles son los términos de la garantía.

### Cobertura de la garantía

Tunturi New Fitness BV o los distribuidores Tunturi no responderán en ninguna circunstancia a causa de esta garantía por los eventuales daños indirectos, secundarios, resultantes o especiales de ningún tipo derivados del uso o la imposibilidad de uso de este equipo.

### Restricciones a la garantía

La garantía cubre los fallos debidos a la fabricación y los materiales en un equipo de ejercicio que esté en su ensambladura original. La garantía cubre solamente defectos que se manifiesten durante un uso normal, conforme a las instrucciones dadas en la guía suministrada con el equipo, a condición de que se hayan observado las instrucciones de montaje, mantenimiento y utilización proporcionadas por Tunturi. Tunturi New Fitness BV y los distribuidores Tunturi no pueden responder de fallos ocasionados por circunstancias ajenas a su control. La presente garantía sólo es válida para el comprador original del equipo de ejercicio y tiene vigencia solamente en los países en los que Tunturi New Fitness BV cuenta con un importador autorizado. La garantía no cubre los equipos de ejercicio o sus partes que hayan sido modificados sin el consentimiento previo de Tunturi New Fitness BV. La garantía no cubre fallos derivados del desgaste normal, de un uso indebido, de su uso en condiciones para las que el equipo no ha sido concebido, corrosión o daños sufridos durante la carga o el transporte.

La garantía no cubre los sonidos o ruidos emitidos durante el uso que no impidan de forma sustancial la utilización del equipo y que no estén provocados por un fallo del mismo

La garantía no cubre las actividades de mantenimiento tales como limpieza, lubricación o el ajuste normal de las piezas, ni los procedimientos de instalación que el cliente pueda realizar por sí mismo y que no requieran un desmontaje / montaje especial del equipo de ejercicio. Estos procedimientos son, por ejemplo, el cambio de contadores, pedales o de otras piezas simples similares. No se reembolsarán las reparaciones realizadas durante el periodo de garantía por agentes no autorizados por Tunturi. Si no se siguen adecuadamente las instrucciones dadas en el Manual del Propietario se invalidará la garantía del producto.

## Declaración del fabricante

Tunturi New Fitness BV declara que el producto es conforme con las siguientes normas y directivas: EN 957 (HB), 89/336/CEE. Por tanto, el producto dispone de marcado CE.

01-2017

Tunturi New Fitness BV  
Purmerweg 1  
1311 XE Almere  
The Netherlands

## Descargo de responsabilidad

© 2017 Tunturi New Fitness BV  
Reservados todos los derechos.

El producto y el manual están sujetos a cambios. Las especificaciones pueden cambiarse sin previo aviso.



## På svenska

Denna handbok är en översättning av den engelska texten. Vi förbehåller oss rätten till eventuella översättningsfel. Den engelska originaltexten råder.

## Index

|  |           |
|--|-----------|
| <b>Crosstrainer</b> .....                  | <b>73</b> |
| <b>Säkerhetsvarningar</b> .....            | <b>73</b> |
| Elsäkerhet .....                           | 73        |
| <b>Monteringsanvisningar</b> .....         | <b>74</b> |
| Beskrivning (fig. A) .....                 | 74        |
| Förpackningens innehåll (fig. B & C) ..... | 74        |
| Montering (fig. D) .....                   | 74        |
| Åtdragning av skruvar och muttrar .....    | 74        |
| <b>Träning</b> .....                       | <b>74</b> |
| Övning Instruktioner .....                 | 74        |
| Hjärtfrekvens .....                        | 75        |
| <b>Användning</b> .....                    | <b>75</b> |
| Strömförsörjning (fig. E-1) .....          | 75        |
| <b>Panel (fig F)</b> .....                 | <b>76</b> |
| Förklaring av displayfunktioner .....      | 76        |
| Förklaring av knappar .....                | 76        |
| Manövrering .....                          | 77        |
| Program .....                              | 77        |
| Recovery .....                             | 78        |
| Bluetooth & APP .....                      | 78        |
| <b>Rengöring och underhåll</b> .....       | <b>78</b> |
| Fel och funktionsstörningar .....          | 79        |
| <b>Transport och lagring</b> .....         | <b>79</b> |
| Ytterligare information .....              | 79        |
| <b>Teknisk information</b> .....           | <b>79</b> |
| <b>Garanti</b> .....                       | <b>79</b> |
| <b>Försäkran från tillverkaren</b> .....   | <b>80</b> |
| <b>Friskrivning</b> .....                  | <b>80</b> |

## Crosstrainer

Välkommen till Tunturi Fitness värld!

Tack för att du köpte denna utrustning från Tunturi. Tunturi erbjuder ett stort utbud av professionell träningsutrustning, exempelvis crosstrainers, löpband, träningscyklar och roddmaskiner. Utrustning från Tunturi passar hela familjen, oavsett träningsnivå. Mer information finns på vår webbplats, [www.tunturi.com](http://www.tunturi.com)

## Säkerhetsvarningar

### ⚠ VARNING

- Läs säkerhetsvarningarna och instruktionerna. Om inte säkerhetsvarningarna och instruktionerna följs kan det medföra skador på personer eller utrustningen. Behåll säkerhetsvarningarna och instruktionerna för framtida bruk.

### ⚠ VARNING

- System för övervakning av hjärtfrekvensen är inte alltid exakta. Överträning kan medföra allvarig skada eller död. Sluta omedelbart att träna om du känner dig svag.

- Utrustningen är endast anpassad för hemmabruk. Utrustningen är inte anpassad
- Maximal användning är begränsad till 3 timmar per dag..
- Om utrustningen används av barn eller personer med fysiska, sensoriska, mentala eller motoriska handikapp, eller som saknar erfarenhet och kunskap, kan detta medföra risker. Personer som är ansvariga för deras säkerhet måste ge tydliga instruktioner, eller övervaka användningen av utrustningen.
- Innan du påbörjar din träning, uppsök en läkare som kan kontrollera din hälsa.
- Om du upplever illamående, yrsel eller andra onormala symptom, avsluta genast din träning och kontakta en läkare.
- Börja varje träningspass med att värma upp och avsluta varje träningspass med nedvarvning för att undvika muskelsmärter och sträckningar. Kom ihåg att stretcha i slutet av träningen.
- Utrustningen är endast anpassad för användning inomhus. Utrustningen är inte anpassad för användning utomhus.
- Använd endast utrustningen i miljöer med god ventilation. Använd inte utrustningen i dragiga miljöer för att undvika att bli förkyld.
- Använd endast utrustningen i miljöer med temperatur mellan 10 °C och 35 °C. Förvara endast utrustningen i miljöer med temperatur mellan 5 °C och 45 °C.
- Använd inte och förvara inte utrustningen i fuktig miljö. Luftfuktigheten får aldrig överstiga 80%.
- Använd endast utrustningen för dess avsedda ändamål. Använd inte utrustningen för andra ändamål än de som beskrivs i handboken.
- Använd inte den här utrustningen om någon del är trasig eller skadad. Om någon del är trasig eller skadad, kontakta din återförsäljare.
- Håll undan händer, fötter och andra kroppsdelar från de rörliga delarna.
- Håll undan håret från de rörliga delarna.
- Bär passande kläder och skor.
- Håll undan kläder, smycken och andra föremål från de rörliga delarna.
- Låt bara en person åt gången använda utrustningen. Utrustningen får inte användas av personer som väger mer än 120 kg (265 lbs).
- Öppna inte utrustningen utan att kontakta din återförsäljare.

## Elsäkerhet

(endast elektrisk utrustning)

- Före användning, kontrollera alltid att nätspänningen är densamma som spänningen på utrustningens märkplåt.
- Använd inte en förlängningssladd.
- Håll strömkabeln borta från värme, olja och vassa kanter.
- Ändra inte strömkabeln eller kontakten.
- Använd inte utrustningen om strömkabeln eller kontakten är trasig eller skadad. Om strömkabeln eller kontakten är trasig eller skadad, kontakta din återförsäljare.
- Rulla alltid ut strömkabeln helt.
- Dra inte strömkabeln under utrustningen. Dra inte strömkabeln under en matta. Placera inte några föremål på strömkabeln.
- Kontrollera att strömkabeln inte hänger över en bordskant. Kontrollera att strömkabeln inte kan komma åt avsiktligt eller snubblas över.
- Lämna inte utrustningen obevakad med kontakten instoppad i vägguttaget.
- Dra inte i strömkabeln för att avlägsna kontakten från vägguttaget.
- Avlägsna stickkontakten från vägguttaget när utrustningen inte används, innan den monteras eller monteras isär och innan den rengörs eller underhålls.

## Monteringsanvisningar

### Beskrivning (fig. A)

Din crosstrainer är en stationär träningsmaskin som används för att simulera promenad eller löpning utan att orsaka kraftigt tryck på lederna.

### Förpackningens innehåll (fig. B & C)

- Förpackningen innehåller delarna som visas i fig. B.
- Förpackningen innehåller de fästdon som visas i fig. C. Se avsnittet "Beskrivning".

#### ⚠ ANMÄRKNING

- Om någon del saknas, kontakta din återförsäljare.

### Montering (fig. D)

#### ⚠ VARNING

- Montera utrustningen i angiven ordning.
- Var två om att bära och förflytta utrustningen.

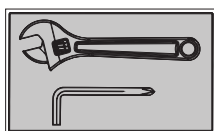
#### ⚠ OBS.

- Placera utrustningen på en stabil och jämn yta.
- Placera utrustningen på en skyddande grund för att förhindra att golvet skadas.
- Lämna åtminstone 100 cm fritt runt utrustningen.
- Illustrationerna visar det korrekta sättet att montera utrustningen.

#### ⚠ ANMÄRKNING

- Spara verktygen som följer med denna produkt när monteringen är klar så att du kan använda dem för framtida servicearbeten.

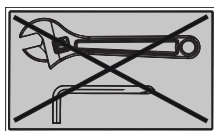
### Åtdragning av skruvar och muttrar



Dra åt alla skruvar och muttrar ordentligt efter att alla komponenter har monterats i nuvarande och tidigare steg.

#### ⚠ OBS

- Dra inte åt en komponent som har en rörlig funktion för hårt.
- Se till att alla vridbara komponenter kan röra sig fritt.



Dra inte åt alla skruvar och muttrar i detta steg.

## Träning

Träningen måste vara lagom lätt, men hålla på länge. Aerobisk träning är till för att förbättra kroppens maximala syreupptag, vilket förbättrar uthålligheten och konditionen. Du ska svettas, men du ska inte bli andfädd under träningen. För att uppnå och behålla en grundkondition, träna åtminstone tre gånger i veckan, 30 minuter åt gången. Öka antalet träningspass för att förbättra din kondition. Det är bra att kombinera regelbunden träning med hälsosam kost. En person som har bestämt sig för att banta bör träna dagligen, 30 minuter eller mindre till en början och sedan öka den dagliga träningstiden till en timme.

Börja din träning i låg hastighet och med lågt motstånd för att förhindra att hjärtkärletsystemet utsätts för kraftig belastning. När konditionen förbättras, kan hastigheten och motståndet ökas gradvis. Din tränings effektivitet kan mätas genom att kontrollera din hjärtfrekvens och din puls.

## Övning Instruktioner

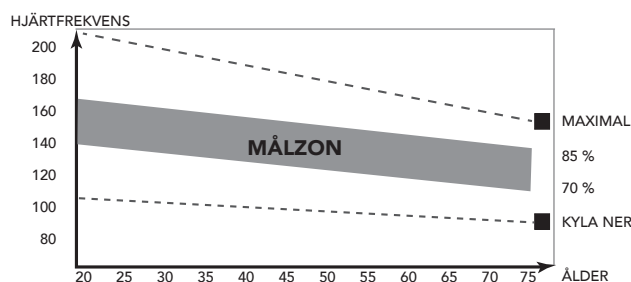
Användningen av ditt träningsredskap kommer att ge dig många fördelar; det kommer att förbättra din fysiska kondition, tona musklerna och tillsammans med en kalorikontrollerad diet hjälpa dig att gå ned i vikt.

### Uppvärmningsfasen

Denna fas får blodet att börja pumpa runt i kroppen och förbereder musklerna på aktivitet. Den minskar även risken för kramp och muskelskada. Det är tillrådligt att göra några stretchövningar som visas nedan. Varje stretchövning ska hållas i ungefär 30 sekunder. Tvinga eller tryck inte in musklerna i en stretchövning. Om det gör ont, SLUTA

### Träningsfasen

Detta är fasen där du jobbar. Efter regelbunden användning, kommer musklerna i dina ben att bli mer flexibla. I denna fas är det mycket viktigt att bibehålla ett jämnt tempo från början till slut. Ansträngningsnivån ska vara tillräcklig för att höja din puls till målzonen som visas i nedanstående figur



Denna fas bör pågå i minst 12 minuter, även om de flesta börjar med ungefär 15-20 minuter.

### Nedvarningsfasen

Under denna fas får ditt kardiovaskulära system och dina muskler varva ned. Den är en upprepning av uppvärmningsövningen, t.ex. minska ditt tempo, fortsatt i ca 5 minuter. Stretchövningarna ska nu upprepas. Kom ihåg att inte tvinga eller trycka in musklerna i stretchövningen. När du blir mer vältränad, kan du träna längre och hårdare. Vi rekommenderar att träna minst tre gånger i veckan, och, om möjligt, fördela dina träningstillfällen jämnt under hela veckan.

### Muskeltoning

För att tona musklerna när du använder träningsredskapet, måste du ställa in en ganska hög belastning. Detta belastar benmusklerna mer och kan innebära att du inte kan träna så länge som du vill. Om du även försöker förbättra din kondition, måste du ändra ditt träningsprogram. Du bör träna som vanligt under uppvärmnings- och nedvarningsfaserna, men mot slutet av träningsfasen kan du öka belastningen så att dina ben får jobba hårdare. Du måste minska hastigheten för att hålla pulsen i målzonen.

### Viktminskning

Den viktigaste faktorn här är hur mycket du anstränger dig. Ju hårdare och längre du tränar, desto fler kalorier bränner du. Detta är i princip detsamma som om du tränade för att förbättra din kondition, skillnaden är målet.

## Hjärtfrekvens

### Pulsmätning (handpulssensorer)

Pulsen mäts av sensorer i handtagen när användaren vidrör båda sensorerna samtidigt. Bäst pulsmätning fås när skinnet är en aning fuktigt och i ständig kontakt med handpulssensorerna. Om skinnet är för torrt eller för fuktigt kan pulsmätningen bli mindre exakt.

#### ⚠ ANMÄRKNING

- Använd inte handpulssensorer tillsammans med ett pulsbalte.
- Om du har ställt in en begränsning av hjärtfrekvensen för din träning, kommer ett larm att ljuda när den överskrids.

### Hjärtfrekvensmätning (pulsbalte)

#### ⚠ ANMÄRKNING

- Ett bröstband är inte standard med denna tränare. När du gillar att använda ett trådlöst bröstband måste du köpa detta som tillbehör.

Den mest exakta mätningen av hjärtfrekvensen uppnås med ett pulsbalte. Hjärtfrekvensen mäts av en hjärtfrekvensmottagare i kombination med ett pulsbalte med sändare. Korrekt pulsmätning kräver att elektroderna på sändarbältet är en aning fuktiga och i ständig kontakt med skinnet. Om elektroderna är för torra eller för fuktiga kan pulsmätningen bli mindre exakt.

#### ⚠ VARNING

- Kontakta en läkare innan du använder ett pulsbalte om du har pacemaker.

#### ⚠ OBS.

- Om det finns flera enheter för hjärtfrekvensmätning bredvid arandra, kontrollera att avståndet mellan dem är minst 2 meter.
- Om det bara finns en hjärtfrekvensmottagare och flera hjärtfrekvenssändare, kontrollera att bara en person med sändare är inom mottagningsområdet.

#### ⚠ ANMÄRKNING

- Använd inte ett pulsbalte tillsammans med handpulssensorer.
- Bär alltid pulsbaltet under dina kläder, i direktkontakt med huden. Bär inte pulsbaltet utanpå kläderna. Om du bär pulsbaltet utanpå kläderna kommer det inte att bli någon signal.
- Om du har ställt in en begränsning av hjärtfrekvensen för din träning, kommer ett larm att ljuda när den överskrids.
- Sändaren sänder hjärtfrekvensen till panelen upp till ett avstånd på 1,5 meter. Om elektroderna inte är fuktiga, kommer inte hjärtfrekvensen att visas på displayen.
- Vissa klädfibrer (t.ex. polyester eller polyamid) skapar statisk elektricitet som kan förhindra en korrekt mätning av hjärtfrekvensen.
- Mobiltelefoner, tv-apparater och andra elektriska apparater skapar ett elektromagnetiskt fält som kan förhindra en korrekt mätning av hjärtfrekvensen.

### Maximal hjärtfrekvens (under träning)

Den maximala hjärtfrekvensen är den högsta hjärtfrekvens en person säkert kan få vid träning. Följande formel används för att beräkna den genomsnittliga maximala hjärtfrekvensen:  $220 - \text{ÅLDER}$ . Den maximala hjärtfrekvensen varierar från person till person.

#### ⚠ VARNING

- Kontrollera att du inte överskrider din maximala hjärtfrekvensen under din träning. Kontakta en läkare om du tillhör en riskgrupp.

### Nybörjarnivå 50-60% av den maximala hjärtfrekvensen

Passar nybörjare, viktvaktare, konvalescenter och personer som inte har tränat på länge. Träna åtminstone tre gånger i veckan, 30 minuter åt gången.

### Avanceradnivå 60-70% av den maximala hjärtfrekvensen

Passar personer som vill förbättra och underhålla konditionen. Träna åtminstone tre gånger i veckan, 30 minuter åt gången.

### Expert 70-80% av den maximala hjärtfrekvensen

Passar de mest vältränade, som är vana vid långa och tunga träningspass.

## Användning

### Justera stödfötterna

Utrustningen är utrustad med 6 stödfötter. Om utrustningen inte är stabil, kan tödfötterna justeras..

- Vrid stödfötterna för att placera utrustningen i en stabil position.
- Vrid åt låsmuttrarna för att låsa stödfötterna.

#### ⚠ ANMÄRKNING

- Maskinen är i maximalt stabilt läge när alla stödfötter vrids helt inåt. Örja därför att placera maskinen helt plant genom att vrida alla stödfötter helt inåt, innan du vrider ut de nödvändiga stödfötterna för att stabilisera maskinen.

#### ⚠ VARNING

- (Abb. E-2) För att förhindra skador på golvet, försäkra er att "U shape holder" inte vidrör golvet medan ni använder maskinen. Justera höjden på "U shape slider" genom att reglera "Adjusting cushion" om så behövs.  
(Se Montering steg D-1C-A)

### Justera panelen

Panelen kan justeras efter användarens längd och träningsposition.

- Lossa vredet för justering av panelen.
- Flytta panelen till önskat läge.
- Drag åt vredet för justering av panelen.

### Strömförsörjning (fig. E-1)

Träningsredskapet försörjs av en extern strömkälla. Illustrationen visar strömingången på träningsredskapet.

#### ⚠ ANMÄRKNING

- Anslut strömförsörjningen till träningsredskapet innan det ansluts till vägguttaget.
- Dra alltid ut sladden när maskinen inte används.

## Panel (fig F)



1. Skärm
2. Bok/ tablett rack
3. Knappar

## ⚠ OBS

- Skydda panelen från direkt solljus.
- Torka av panelens yta när den är täckt av svett droppar.
- Luta dig inte mot panelen.
- Vidrör endast displayen med din fingertopp. Var noga med att inte dina naglar eller vassa föremål vidrör displayen.

## ⚠ ANMÄRKNING

- Panelen övergår till viloläge när utrustningen inte har använts på 4 minuter.

## Förklaring av displayfunktioner

## Time (Tid)

- Om målvärdet inte ställs in kommer tiden att räknas nerifrån och upp.
- Om målvärdet ställs in kommer tiden att räknas ner från din måltid till 0 och ett larm ljuda eller blinka. Tiden kommer att fortsätta räkna nerifrån och upp om träningen inte avslutas efter att målet har nåtts.
- Om ingen signal har överförts till monitorn inom 4 sekunder under träningen kommer tiden att STOPPA
- Område 0:00~99:59

## Speed

- Visar aktuell träningshastighet.
- Område 0.0 ~ 99.9
- Om ingen signal har överförts till monitorn inom 4 sekunder under träningen visar SPEED "0.0"

## RPM

- Visar varv per minut Område 0 ~ 999 Om ingen signal har överförts till monitorn inom 4 sekunder under träningen visar RPM "0"

## Watt

- Visa aktuell tränings-watts Område 0 ~ 999

## Level

- Visar inställning av spänningsnivå när du ställer in motståndet i 3 sekunder.

## Distance

- Om målvärdet inte ställs in kommer avståndet att räknas nerifrån och upp.
- Om målvärdet ställs in kommer avståndet att räknas ner från ditt målvstånd till 0 och ett larm ljuda eller blinka. Avståndet kommer att fortsätta räkna nerifrån och upp om träningen inte avslutas efter att målet har nåtts.
- Område 0.00~99.99

## Calories

- Om målvärdet inte ställs in kommer kalorierna att räknas nerifrån och upp.
- Om målvärdet ställs in kommer kalorierna att räknas ner från ditt målkalorivärde till 0 och ett larm ljuda eller blinka. Kalorier kommer att fortsätta räkna nerifrån och upp om träningen inte avslutas efter att målet har nåtts.
- Område 0~999

## ⚠ OBS

- Dessa data är en ungefärligt värde för att kunna jämföra olika övningsessioner och kan inte användas inom medicinsk behandling

## Pulse

- Aktuell puls visas efter 6 sekunder efter att den detekterats av panelen.
- Utan pulssignal i 6 sekunder visar konsolen "P".
- Pulsarmet ljuder när aktuell puls ligger över målpulsen.
- Område 0-30~230 BPM

## BAI™

- Visa BAI-förbrukning BAI-värde under träning.
- Visa område 0~999

## ⚠ OBSERVERA

- BAI (Body Activity Index) är summan av den effektiva träningsvolymen
- Träningsvolym = träningsintensitet x träningsstid

BAI beräknar den effektiva träningsvolymen baserad på din hjärtfrekvens, ålder, kön och tid.

Under träning kan du följa hur BAI ackumuleras. Så snart du avslutat ett träningspass, kan du erhålla summa BAI-poäng för det passet, vilken är den totala, effektiva träningsvolymen under detta pass.

Om du tränar hårdare med högre hjärtfrekvens, får du BAI-poäng snabbare. Om du tränar mindre med lägre hjärtfrekvens, får du BAI-poäng långsammare.

Vi rekommenderar en träning som ackumulerar 100 BAI-poäng varje vecka för att öka din hjärtkapacitet.

## Förklaring av knappar

## Up (Dail)

- Öka motståndet.
- Vrid reglaget medurs för att öka värdet.

## Down (Dail)

- Minska motståndet
- Vrid reglaget moturs för att minska värdet.

## Mode/Enter

- Välj funktion genom att trycka på knappen MODE/ENTER.

**Reset**

- I inställningsläget trycker du på knappen RESET en gång för att återställa aktuella funktionssiffror.
- Tryck på knappen RESET och håll den intryckt i 2 sekunder för att återställa alla funktionssiffror.

**Start/ Stop**

- Starta eller stoppa ( paus ) träning.

**Body Fat**

- Testa kroppsfett-% och BMI.

**Recovery**

- När panelen detekterar en pulssignal trycker du på knappen RECOVERY för att gå till läget RECOVERY för att övervaka hjärtfrekvensens återhämtningsförmåga

**Manövrering****Ström på**

- Koppla in strömförsörjningen. Datorn kommer då att starta och visa allt på isplayen i två sekunder.
- Tryck på valfri knapp för att sätta på strömmen om enheten befinner sig i läget SLEEP.
- Börja trampa för att sätta på panelen om den befinner sig i viloläget.

LCD-displayen visar alla segment (fig. F-01)

**Användarinställningar**

- Välj användare, vrid skivan till U1~U4, bekräfta genom att trycka på MODE.
- Välj kön genom att vrida skivan till val av man/kvinna och bekräfta genom att trycka på MODE.
- Ställ in ålder genom att vrida skivan på 1~99, bekräfta genom att trycka på MODE.
- Ställ in längd (H) genom att vrida skivan på 100~200, bekräfta genom att trycka på MODE.
- Ställ in vikt (W) genom att vrida skivan på 20~150, bekräfta genom att trycka på MODE.

**Träningsval**

Använd skiva UPP/NER för att välja:

|          |                        |
|----------|------------------------|
| M        | Manuellt               |
| P1 ~ P12 | Programprofil 1 ~ 12   |
| HRC      | Hjärtfrekvens-kontroll |
| W        | Effektkontroll i watt  |
| U        | Användarprogram        |

**Ström av**

Om ingen signal har överförts till monitorn inom 4 minuter kommer monitorn att gå till läget SLEEP automatiskt.

**Program****Snabbstart**

- Tryck på START/STOPP för att starta din träning utan förinställda värden.
- Justera motståndsnivån under träning med UPP/NER på skivan.

**Avsuta ditt träningspass**

- Tryck på START/STOPP i träningsläge för att stoppa/pausa ditt träningspass.
- Tryck på START/STOPP i pausläge för att fortsätta ditt träningspass.

- Tryck på RESET (i pausläge) för att återställa alla träningsdata.
- Tryck och håll RESET nere i min. 2 sek för att återställa manöverbordet. (Aktiva träningsdata kommer att förloras)

**Manuellt läge**

- Använd skivans UPP/NER för att välja träningsprogram och välj M (manuellt) läge samt bekräfta genom att trycka på MODE.
- Använd skivans UPP/NER för att ställa in spänningsnivån och bekräfta genom att trycka på MODE.
- Använd skivans UPP/NER för att förinställa träningstiden och bekräfta genom att trycka på MODE.
- Använd skivans UPP/NER för att förinställa träningsavståndet och bekräfta genom att trycka på MODE.
- Använd skivans UPP/NER för att förinställa träningskalorierna och bekräfta genom att trycka på MODE.
- Använd skivans UPP/NER för att ställa in en gräns för pulsslagen och bekräfta genom att trycka på MODE.

**⚠ OBSERVERA**

- När du ställer in fler än ett mål, stannar träningen av vid det först uppnådda målet.
- Ställ in ett blankt mål och det uppfattas inte som ett förinställt mål.
- När man ställer in en pulsgräns, stannar inte träningen av, då gränsen överskrids. Ett akustiskt alarm uppmärksammar och varskar användaren, när gränsen överskrids.

- Tryck på START/STOPP för att starta träningspasset.
- Använd skivans UPP/NER för att justera motståndsnivån. Inställd nivå visas i NIVÅ-fönstret.

**Programprofil 1~12**

- Använd skivans UPP/NER för val av träningsprogram. Välj en förinställd profil och bekräfta genom att trycka på MODE.
- Använd skivans UPP/NER för att ställa in spänningsnivån och bekräfta genom att trycka på MODE. Kompletta profil graderas proportionerligt.
- Använd skivans UPP/NER för att förinställa träningstiden och bekräfta genom att trycka på MODE.
- Tryck på START/STOPP för att starta träningspasset.
- Använd skivans UPP/NER för att justera motståndsnivån. Kompletta profil graderas proportionerligt. Inställd nivå visas i NIVÅ-fönstret.

Spänningen ställs in automatiskt till en förinställd profil i Programprofil-läge.

**⚠ OBSERVERA**

- Tidslängd för varje profilsegment är 1/8-del av din förinställda träningstid.
- Om ingen träningstid ställts in, blir tidslängd för varje segment ± 20 sek och kommer att upprepa start av profilen igen tills du själv stoppar träningspasset.

## Hjärtläge

- Använd skivans UPP/NER för att välja träningsprogram. Välj HRC (hjärtikonen) och bekräfta genom att trycka på MODE.
- Använd skivans UPP/NER för att ställa in ditt HRC-mål:
  - 55% = 55% av 220 minus din ålder
  - 75% = 75% av 220 minus din ålder
  - 90% = 90% av 220 minus din ålder
  - TA = Mål (standard = 100)
- bekräfta genom att trycka på MODE.
- När TA ska ställas in, använd skivans UPP/NER för att ställa in målet (30~230) och bekräfta genom att trycka på MODE.
- Använd skivans UPP/NER för att förinställa träningstiden och bekräfta genom att trycka på MODE.
- Tryck på START/STOPP för att starta träningspasset.
- Använd RESET för att gå tillbaka till huvudmenyn.

I Hjärtläge regleras spänningen automatiskt till en intensitet, där dina hjärtslag uppnår det förinställda HRC-målet.

## Effektläge i watt

- Använd skivans UPP/NER för att välja träningsprogram. Välj effektkontroll (W) och bekräfta genom att trycka på MODE.
- Använd skivans UPP/NER för att ställa in effektmål i watt: 120 är förinställd standardnivå (av 10~350), välj och bekräfta genom att trycka på MODE.
- Använd skivans UPP/NER för att förinställa träningstiden och bekräfta genom att trycka på MODE.
- Tryck på START/STOPP för att starta träningspasset.
- Använd RESET för att gå tillbaka till huvudmenyn.

I effektläge (W) regleras spänningen automatiskt till en intensitet, där effekten uppnår det förinställda effektläget.

## ⚠ OBSERVERA

- Effektparameter är beräknad enligt rpm och spänningsnivån. När rpm är högre, blir spänningen lägre. När rpm är lägre, blir spänningen högre.

## Användarprofil

- Använd skivans UPP/NER för att välja träningsprogram. Välj Användarprofil (U) och bekräfta genom att trycka på MODE.
- Använd skivans UPP/NER för att ställa in spänningsnivån för det första profilsegmentet. Bekräfta genom att trycka på MODE.
- Upprepa på samma sätt för att ställa in övriga profilsegments spänningsnivå.
- Tryck och håll MODE nere i min. 2 sek för att bekräfta och spara inställningen av användarprofilen.
- Använd skivans UPP/NER för att förinställa träningstiden och bekräfta genom att trycka på MODE.
- Tryck på START/STOPP för att starta träningspasset.
- Använd RESET för att gå tillbaka till huvudmenyn.

I användarens programprofil lägs regleras spänningen automatiskt till förinställd profil.

Tidslängd för varje profilsegment är 1/8-del av din förinställda träningstid.

## ⚠ OBSERVERA

- Endast ett användarprogram är tillgängligt per användare.

## Recovery

- Knappen RECOVERY fungerar endast om puls detekteras.
- TIME visar "0:60" (sekunder) och räknar ner till 0.
- Datorn visar F1 till F6 efter nedräkningen för att testa hjärtfrekvensens återhämtningsstatus. Användaren hittar hjärtfrekvensens återhämtningsnivå baserad på tabellen nedan.
- Tryck på knappen RECOVERY för att gå till början.

|    |                    |
|----|--------------------|
| F1 | Enastående         |
| F2 | Utmärkt            |
| F3 | Bra                |
| F4 | Ganska bra         |
| F5 | Under genomsnittet |
| F6 | Dålig              |

## Body Fat

- Tryck på knappen BODY FAT för att starta mätningen av kroppsfett.
- Under mätningen måste användaren hålla båda händerna på handtagen. LCD-display "-.-" "-.-" "-.-" "-.-" i 8 sekunder tills datorn slutar mäta.
- LCD:n visar BMI och FAT %.

## ⚠ OBS

- Korrekt "User Profile Settings" krävs för denna funktion.

## Felkoder för läget Kroppsfett

- \*E-1  
Ingen inmatning av hjärtfrekvens har detekterats.
- \*E-4  
Förekommer när FAT% och BMI-resultatet ligger under 5 eller över 50.

## Bluetooth & APP

- Denna panel kan ansluta APP (Fit Hi Way) på den smarta enheten med Bluetooth. (iOS & Android).
- Upprätta Bluetooth-anslutningen endast via anslutningsläget på den installerade APP-enheten på din smarta enhet.
- När panelen har anslutits till den smarta enheten via Bluetooth stängs strömmen på panelen av.

## ⚠ OBS

- Tunturi ger dig endast möjligheten att ansluta din träningspanel med en Bluetooth-anslutning. Därför bär Tunturi inget ansvar för skador eller felfunktioner som uppstår på andra produkter än Tunturi-produkter.
- Kolla webbplatsen för extra information.

Denna konsol kan ta emot en Bluetooth-pulssändare. Det finns inget behov av att para ihop enheten eftersom konsolen automatiskt kommer att upptäcka pulssändaren när den är inom räckvidden.

## Rengöring och underhåll

Utrustningen kräver inte något särskilt underhåll. Utrustningen kräver inte omkalibrering när den monteras, används eller servas i enlighet med instruktionerna.

**⚠ VARNING**

- Använd inte lösningsmedel för att rengöra utrustningen.
- Rengör utrustningen med en mjuk och absorberande trasa efter varje användning.
  - Kontrollera regelbundet att alla skruvar och muttrar är åtdragna.
  - Smörj vid behov.

**Fel och funktionsstörningar**

Trots ständigt kvalitetskontroller, kan fel och funktionsstörningar inträffa som orsakas av enstaka delar. I de flesta fallen räcker det med att byta ut den felaktiga delen.

- Om utrustningen inte fungerar korrekt, kontakta omedelbart återförsäljaren.
- Lämna utrustningens modellnummer och serienummer till återförsäljaren. Ange problemets art, förhållanden vid användning och inköpsdatum.

**Felsökning:**

- Om det inte kommer någon signal när du trampar måste du kontrollera om kabeln sitter i riktigt.

**⚠ OBS!**

- Om träningen stoppas i 4 minuter sloknar huvudskärmen.
- Om datorn uppvisar onormala värden, sätt i batteriet på nytt och försök igen.

**Knika rullar.**

- Regelbunden användning: Applicera 2cc. av smörjmedlet på de båda skenorerna, var tredje månad.
- När hjulen för mycket brus när du flyttar, applicera 2cc. smörjmedel på båda skenorerna.

**⚠ VARNING**

- Vi rekommenderar att du använder ett silikonbaserat smörjmedel.
- För mycket smörjmedel kan jord mattan eller damm skador. Torka bort så mycket smörjmedel med en torr trasa.

**Skakig eller instabil känsla under användning**

Om maskinen känns instabil eller instabil under drift, är det lämpligt att justera stödfötterna för att få ramen till rätt höjd. Läs anvisningarna i den här handboken i avsnittet: "Användning"

**Transport och lagring****⚠ VARNING**

- Var två om att bära och förflytta utrustningen.
- Stå framför utrustningen på vardera sidan och ta ett fast grepp i handtagen. Lyft utrustningens framsida så att baksidan lyfts på hjulen. Förflytta utrustningen och sätt ner den försiktigt. Placera utrustningen på en skyddande grund för att förhindra att golvet skadas.
  - Förflytta utrustningen försiktigt över ojämna ytor. Förflytta inte utrustningen till övervåningen med hjulen, utan bär utrustningen med handtagen.
  - Förvara utrustningen på en torr plats med så liten temperaturvariation som möjligt.

**Ytterligare information****Bortskaffande av förpackning**

Riktlinjer från myndigheter uppmanar att vi minskar mängden avfall som placeras i deponier. Vi ber dig därför att bortskaffa allt förpackningsavfall på ett ansvarsfullt sätt på allmänna återvinningscentraler.

**Bortskaffande av uttjänt redskap**

Vi på Tunturi hoppas att du får många års trevlig användning av ditt träningsredskap. Men det kommer en tid när ditt träningsredskap är uttjänt. Enligt den europeiska WEEE-lagstiftningen, ansvarar du för korrekt bortskaffande av ditt träningsredskap på en allmän återvinningsanläggning.

**Teknisk information**

| Parameter                              | Måttenhet  | Värde                 |
|--|------------|-----------------------|
| Telemetrisk hjärt frekvens- mottagare. | Frekvens   | 5.3 Khz/<br>Bluetooth |
| Längd                                  | cm<br>inch | 195,0<br>76.8         |
| Bredd                                  | cm<br>inch | 74,0<br>29.1          |
| Höjd                                   | cm<br>inch | 162,0<br>63.8         |
| Vikt                                   | kg<br>lbs  | 73.5<br>161.7         |
| Max användarvikt                       | kg<br>lbs  | 120<br>265            |
| Adapter<br>Spänning<br>Strömstyrka     |            | 9V-DC<br>1.0 A        |

**Garanti****Tunturis ägargarantitunt****Garantivillkor**

Konsumenten har rätt att tillämpa de nationellt lagstadgade rättigheterna gällande konsumentvaror och denna garanti begränsar inte dessa rättigheter.

Ägargarantin är giltig endast om Tunturis träningsredskap används i de miljöer som tillåts enligt Tunturi. Vilka miljöer som är tillåtna står i träningsredskapets bruksanvisning.

**Garantivillkor**

Garantivillkoren börjar att gälla från inköpsdatumet. Garantivillkoren kan variera mellan olika länder. Kontakta en lokal återförsäljare om garantivillkoren.

**Garantins omfattning**

Oavsett omständigheter, ansvarar inte Tunturi New Fitness BV eller Tunturis återförsäljare för uppkomna personskador som påverkar köparen, och som innebär inkomstförlust eller andra ekonomiska följdverkningar.

**Gegränsningar i garantin**

Garantin gäller för arbets- och materialfel, förutsatt att redskapet är i originalmonterat skick. Garantin gäller endast fel som uppstår vid normalt bruk och då den använts enligt Tunturis instruktioner gällande montering, skötsel och användning.

Tunturi New Fitness BV och Tunturis återförsäljare ansvarar ej för fel som uppkommer utanför deras kontroll.

Garantin gäller endast redskapets ursprungliga ägare och är gällande endast i de länder där det finns en godkänd Tunturi New Fitness BV återförsäljare.

Garantin gäller ej för redskap eller delar som har ändrats utan Tunturi New Fitness BV:s godkännande. Garantin gäller ej för fel som beror på normalt slitage, felaktig användning, användning i förhållanden som inte är avsett för redskapet, korrosion eller lastnings- och transportskador.

Garantin täcker inte ljud som uppstår under användning såvida dessa inte väsentligt hindrar utrustningens användning eller har orsakas av ett fel i utrustningen.

Garantin gäller inte för underhållsarbete, som rengöring, smörjning eller normal kontroll av komponenterna och inte heller för monteringsarbete som kunden själv kan göra och som inte kräver att redskapet plockas isär/sätts ihop. Det gäller till exempel byte av mätare, trampor eller andra motsvarande enkla delar. Garantireparationer utförda av andra än en godkänd Tunturi-representant, ersätts inte. Ifall instruktionerna i manualen inte följs upphävs produktens garanti.

## Försäkran från tillverkaren

---

Tunturi New Fitness BV försäkrar att produkten uppfyller följande standarder och direktiv:

EN 957 (HB), 89/336/EEG. Produkten är därför CE-märkt.

01-2017

Tunturi New Fitness BV  
Purmerweg 1  
1311 XE Almere  
Nederländerna

## Friskrivning

---

© 2017 Tunturi New Fitness BV

Alla rättigheter förbehållna.

Produkten och handboken kan komma att ändras. Specifikationer kan ändras utan förvarning.



## Suomeksi

Tämä suomennettu käyttöohje on käännetty Englannin kielestä. Pidätämme oikeudet mahdollisiin käännösvirheisiin. Käännös tehty virallisen, englanninkielisen version pohjalta.

## Sisältö

|  |           |
|--|-----------|
| <b>Crosstrainer</b> .....              | <b>81</b> |
| <b>Turvallisuusvaroitukset</b> .....   | <b>81</b> |
| Sähköturvallisuus .....                | 81        |
| <b>Kokoamisohjeet</b> .....            | <b>81</b> |
| Kuvaus (kuva A) .....                  | 81        |
| Pakkauksen sisältö (kuva. B & C) ..... | 82        |
| Kokoonpano (kuva. D) .....             | 82        |
| Kiristä mutterit ja ruuvit .....       | 82        |
| <b>Harjoitukset</b> .....              | <b>82</b> |
| Ohjeita harjoittelua varten .....      | 82        |
| Syke .....                             | 83        |
| <b>Käyttö</b> .....                    | <b>83</b> |
| virtalähde (kuva. E-1) .....           | 83        |
| <b>Ohjauspaneeli (kuva F)</b> .....    | <b>84</b> |
| Näytön toimintojen selitys .....       | 84        |
| Painikkeiden selitykset .....          | 84        |
| Toiminta .....                         | 85        |
| Ohjelmat .....                         | 85        |
| Recovery (palautuminen) .....          | 86        |
| Sovellus & Bluetooth .....             | 86        |
| <b>Puhdistus ja huolto</b> .....       | <b>87</b> |
| Viat ja häiriöt .....                  | 87        |
| <b>Kuljetus ja säilytys</b> .....      | <b>87</b> |
| Lisätietoa laitteen omistajalle .....  | 87        |
| <b>Tekniset tiedot</b> .....           | <b>87</b> |
| <b>Takuu</b> .....                     | <b>87</b> |
| <b>Valmistajan vakuutus</b> .....      | <b>88</b> |
| <b>Vastuuvapauslauseke</b> .....       | <b>88</b> |

## Crosstrainer

Tervetuloa Tunturi Fitness -maailmaan!

Kiitämme sinua tämän Tunturi-laitteen ostosta. Tunturi tarjoaa laajan valikoiman ammattimaisia kuntoilulaitteita, mukaan lukien crosstrainerit, juoksumatot, kuntopyörät ja soutulaitteet.

Tunturi-laite sopii koko perheelle kuntotasosta riippumatta. Katso lisätiedot verkkosivuiltamme [www.tunturi.com](http://www.tunturi.com)

## Turvallisuusvaroitukset

### ⚠ VAROITUS

- Lue turvallisuusvaroitukset ja -ohjeet. Turvallisuusvaroitusten ja -ohjeiden jättäminen noudattamatta voi aiheuttaa henkilön loukkaantumisen tai laitevaurion. Säilytä turvallisuusvaroitukset ja -ohjeet myöhempää käyttöä varten.

### ⚠ VAROITUS

- Sykkeenvälivälityjärjestelmät saattavat olla epätarkkoja. Liiallinen harjoittelu saattaa aiheuttaa vakavia vammoja tai kuoleman. Jos tunnet olosi heikoksi, lopeta harjoittelu heti.

- Laite on sopiva vain kotikäyttöön. Laite ei ole sopiva kaupalliseen käyttöön.
- Enimmäiskäyttö on rajoitettu 3 tuntiin päivässä
- Tämän laitteen käyttö lasten tai fyysisesti, aistillisesti, henkisesti, tai liikunnallisesti rajoittuneiden, tai kokemukseltaan ja tiedoiltaan puutteellisten henkilöiden toimesta voi aiheuttaa vaaratilanteita. Heidän turvallisuudestaan vastuussa olevien henkilöiden on annettava selkeät ja tarkat ohjeet laitteen käytöstä ja valvottava laitteen käyttöä.
- Ennen harjoituksen aloittamista ota yhteys lääkäriin terveystarkastusta varten.
- Jos sinulla on pahoinvointia, huimausta, tai muita epätavallisia oireita, lopeta välittömästi harjoitus ja ota yhteys lääkäriin.
- Vältä lihaskipuja ja venähdyksiä aloittamalla jokainen harjoitus lämmittelyjaksolla ja päättää jokainen harjoitus jäähdyttelyjaksolla. Muista venytellä harjoittelun lopuksi.
- Laite on sopiva vain sisäkäyttöön. Laite ei ole sopiva ulkokäyttöön.
- Käytä laitetta riittävällä tuuletuksella varustetuissa tiloissa. Älä käytä laitetta vetoisissa tiloissa välttääksesi kylmettymisen.
- Käytä laitetta vain ympäristölämpötilassa 10 °C - 35 °C. Säilytä laitetta vain ympäristölämpötilassa 5 °C - 45 °C.
- Älä käytä tai säilytä laitetta kosteissa tiloissa. Ilmankosteus ei saa koskaan olla yli 80 %.
- Käytä laitetta vain sen aiottuun tarkoitukseen. Älä käytä laitetta muihin, kuin tässä käyttöoppaassa esitettyihin tarkoituksiin.
- Älä käytä laitetta, jos sen jokin osa on vaurioitunut tai viallinen. Jos osa on vaurioitunut tai viallinen, ota yhteys jälleenmyyjään.
- Pidä kätesi, jalkasi ja kehon muut osat pois liikkuvista osista.
- Pidä hiuksesi pois liikkuvista osista.
- Käytä asianmukaista vaatetusta ja kenkiä.
- Pidä vaatteet, korut ja muut esineet pois liikkuvista osista.
- Varmista, että vain yksi henkilö kerrallaan käyttää laitetta. Yli 120 kg (265 lbs) ainava henkilö ei saa käyttää laitetta.
- Älä avaa laitetta ilman yhteydenottoa jälleenmyyjäsi.

## Sähköturvallisuus

(koskee vain sähköistä laitetta)

- Varmista aina ennen käyttöä, että sähkölähteen jännite on sama kuin laitekilvessä ilmoitettu laitteen nimellijännite.
- Älä käytä jatkojohtoa.
- Pidä virtajohto pois kuumasta, öljystä ja terävistä kulmista.
- Älä tee muutoksia virtajohtoon tai pistokkeeseen.
- Älä käytä laitetta, jos virtajohto tai virtajohdon pistoke on vaurioitunut tai viallinen. Jos virtajohto tai virtajohdon pistoke on vaurioitunut tai viallinen, ota yhteys jälleenmyyjäsi.
- Suorista aina virtajohto täysin.
- Älä vie virtajohtoa laitteen alitse. Älä laita virtajohtoa maton alle. Älä laita virtajohdon päälle mitään esineitä.
- Varmista, ettei virtajohto roiku pöydän kulman yli. Varmista, ettei virtajohtoon voi vahingossa tarttua kiinni tai kompastua.
- Älä jätä laitetta ilman valvontaa virtajohdon ollessa liitettyinä pistorasiaan.
- Älä vedä pistoketta irti pistorasiasta virtajohdosta vetämällä.
- Irrota pistoke pistorasiasta, kun laite ei ole käytössä, ennen asennusta tai purkamista ja ennen puhdistusta sekä huoltoa.

## Kokoamisohjeet

### Kuvaus (kuva A)

Crosstrainer on paikallaan pysyvä kuntoilulaite, jota käytetään simuloimaan kävelyä tai juoksua ilman liiallista räsitusta niveliin.

## Pakkauksen sisältö (kuva. B & C)

- Pakkaus sisältää kuvassa B näytetyt osat.
- Pakkaus sisältää kuvassa C näytetyt kiinnittimet. Katso "Kuvaus"-osiota.

### ILMOITUS

- Jos osa puuttuu, ota yhteys jälleenmyyjään.

## Kokoonpano (kuva. D)

### VAROITUS

- Kokoonpane laite esitetyssä järjestyksessä.
- Vähintään kahden henkilön on kannettava ja siirrettävä laitetta.

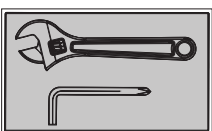
### HUOMAUTUS

- Sijoita laite kovalle, tasaiselle alustalle.
- Asettaa laite suojalustalle lattiapinnan vaurioiden estämiseksi.
- Varaa vähintään 100 cm tilaa laitteen ympärille.
- Katso piirroksesta laitteen oikea asennus.

### ILMOITUS

- Kun olet suorittanut asennuksen loppuun, pane tämän tuotteen mukana toimitetut työkalut talteen tulevia huoltotöitä varten.

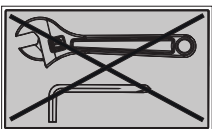
## Kiristä mutterit ja ruuvit



Kiristä kunnolla kaikki mutterit ja ruuvit sen jälkeen, kun kaikki nykyisen ja edeltävien vaiheiden osat on asennettu.

### HUOM

- Älä ylikiristä mitään kääntyvää osaa.
- Varmista, että kaikki kääntyvät osat pääsevät liikkumaan vapaasti.



Älä kiristä kaikkia muttereita ja ruuveja tässä vaiheessa.

## Harjoitukset

Harjoituksen on oltava sopivan kevyt, mutta pitkäkestoinen. Aerobic-harjoitus perustuu kehon maksimi hapenottokyvyn parantamiseen, mikä puolestaan parantaa kestävyyttä ja kuntotasoa. Harjoituksen aikana sinun tulisi hikoilla, mutta sinun ei tulisi hengästyä. Harjoittele vähintään kolme kertaa viikossa 30 minuuttia peruskuntotason saavuttamiseksi ja ylläpitämiseksi. Paranna kuntotasoasi lisäämällä harjoituskertojen määrää. On hyödyllistä yhdistää säännöllinen harjoitus terveelliseen dieettiin. Dieettiin sitoutuneen henkilön tulisi harjoitella päivittäin, ensi alkuun korkeintaan 30 minuuttia ja vähitellen lisäten päivittäinen harjoitusaika yhteen tuntiin. Aloita harjoituksesi hitaalla nopeudella ja pienellä vastuksella estääksesi liiallisen rasituksen sydän-verisuonijärjestelmään. Nopeutta ja vastusta voidaan vähitellen lisätä kuntotason parantuessa. Harjoituksesi tehokkuus voidaan mitata seuraamalla sydämesi lyöntinopeutta ja pulssisi nopeutta. Lisää nopeutta ja vastusta vähitellen oman kuntosi mukaan. Pidä pää pystyssä ja kaula suorana välttääksesi stressiä kaulassa, hartioissa ja selässä. Pidä selkäsi suorana. Varmista, että jalkasi ovat keskellä polkimia ja että lantio, polvet, nilkat ja varpaat ovat suoraan eteenpäin. Pidä painosi alaruumiin yläpuolella, huolimatta siitä, nojaatko eteenpäin vai seisotko suorana. Lopeta harjoitusjaksosi vähentämällä nopeutta ja vastusta

vähitellen. Muista venytellä harjoittelun lopuksi.

## Ohjeita harjoittelua varten

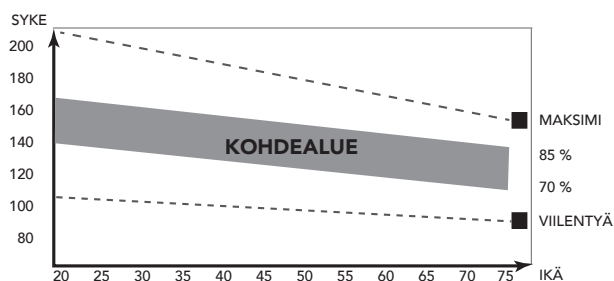
Kuntolaitteen käyttö tarjoaa monia etuja: se parantaa fyysistä kuntoa, kiinteyttää lihaksia ja hallittuun ruokavalion yhdistettynä se auttaa myös pudottamaan painoa.

### Lämmittelyvaihe

Tämän vaiheen tarkoituksena on saada veri virtaamaan nopeammin ympäri kehoa ja panna lihakset tekemään työtä. Lämmittely vähentää myös kramppien ja lihasvammojen riskiä. Suosittelemme, että teet muutaman venyttelyharjoituksen alla olevan kuvan mukaisesti. Jokaisen venytyksen tulisi kestää noin 30 sekuntia. Älä tee venytyksiä väkisin tai nykäisten - jos tunnet kipua, LOPETA.

### Harjoitteluvaihe

Tämä on se vaihe, jossa ponnistelet. Säännöllisen harjoittelun tuloksena jalkojesi lihakset tulevat joustavammiksi. Tässä vaiheessa on hyvin tärkeää ylläpitää tasaista nopeutta koko ajan. Rasituksen tulisi olla riittävän suuri, jotta sykkeesi nousee tavoitealueelle alla olevan kaavion mukaisesti



Tämän vaiheen tulisi kestää vähintään 12 minuuttia, mutta useimmilla aloittelijoilla se on noin 15-20 minuuttia.

### Jäähdyttelyvaihe

Tämän vaiheen tarkoituksena on antaa verenkiertojärjestelmäsi ja lihaksiesi palautua. Jäähdyttelyssä toistetaan lämmittelyvaiheen harjoitukset vähentämällä ensin nopeutta ja jatkamalla tällä nopeudella noin 5 minuuttia. Toista sitten venyttelyharjoitukset pitäen mielessä, että venytyksiä ei saa tehdä väkisin tai nykäisten.

Kun kuntosi nousee, voit tarvita pidempiä ja raskaampia harjoituksia.

On suositeltavaa treenata vähintään kolme kertaa viikossa, ja harjoittelun olisi hyvä jakaa tasaisesti viikon varrelle.

### Lihasten kiinteytys

Jos tavoitteesi on lihasten kiinteytys, sinun pitää asettaa vastus suureksi. Silloin jalkojesi lihakset rasittuvat enemmän, etkä ehkä pysty treenaamaan niin pitkään kuin haluaisit. Jos tavoitteesi on myös kunnan kohentaminen, sinun pitää muuttaa harjoitteluohjelmaasi. Harjoittele lämmittely- ja jäähdyttelyvaiheissa normaalisti, mutta lisää vastusta harjoitteluvaiheessa, jotta jalkasi joutuvat tekemään enemmän työtä. Vähennä tarvittaessa nopeutta, jotta sykkeesi pysyy tavoitealueella.

### Painon pudotus

Ratkaisevaa on se, miten rasittavaa harjoittelu on. Mitä enemmän ja mitä pidempään harjoittele, sitä enemmän poltat kaloreita. Vaikutus on sama kuin jos harjoittelisit kunnan kohentamiseksi, vaikka tavoite on nyt toinen.

## Syke

### Pulssinopeuden mittaus (käsipulssianturit)

Pulssinopeus mitataan käsitukien antureilla käyttäjän koskettaessa kumpaakin anturia samanaikaisesti.

Pulssi saadaan mitattua mahdollisimman tarkasti, kun iho on hieman kostea ja se koskettaa koko ajan käsipulssiantureita. Jos iho on liian kuiva tai liian kostea, pulssinopeuden mittaus voi olla epätarkempi.

#### ILMOITUS

- Älä käytä käsipulssiantureita yhdessä sykevyön kanssa.
- Jos asetat rajan sydämen lyöntinopeudelle, rajan ylittyessä kuuluu äänihälytys.

### Sykkeiden mittaus (sykevyö)

#### ILMOITUS

- Rinnahihna ei ole vakiona tämän kouluttajan kanssa. Kun haluat käyttää langatonta rintahihnaa, sinun on ostettava tämä lisävarusteena.

Tarkan sydämen lyöntinopeus saadaan sykevyöllä. Sykemittaus tapahtuu käyttöösi otettavan sykevastaanottimen ja sykevyön lähettimen avulla. Tarkan sydänmittaus edellyttää lähetinvyön elektrodien olevan hieman kosteita ja jatkuvassa kosketuksessa ihoon. Jos elektrodit ovat liian kuivia tai liian kosteita, sykkeiden mittaus voi olla epätarkempi.

#### VAROITUS

- Jos sinulla on sydäntahdistin, ota yhteys lääkäriin ennen sykevyön käyttöä.

#### HUOMAUTUS

- Jos useita sykemittauslaitteita on vierekkäin, varmista, että niiden keskinäinen etäisyys on vähintään 2 metriä.
- Varmistu, että laitteen sykevastaanottimen ja sykevyön lähettimen kantomatkan sisällä ei ole muita lähettäjiä, jotka voisivat aiheuttaa häiriöitä mittauksessa.

#### ILMOITUS

- Älä käytä sykevyötä yhdessä käsipulssiantureiden kanssa.
- Pidä aina sykevyötä vaatteittesi alla suorassa kosketuksessa ihoosi. Älä pidä sykevyötä vaatteittesi päällä. Jos pidät sykevyötä vaatteittesi päällä, signaalia ei ole.
- Jos asetat rajan sydämen lyöntinopeudelle, rajan ylittyessä kuuluu äänihälytys.
- Lähetin lähettää sykkeen korkeintaan 1,5 metrin etäisyydellä olevaan ohjauspaneeliin. Jos elektrodit eivät ole kosteita, sydämen lyöntinopeus ei tule nähtöille.
- Jotkin vaatteiden kuidut (esim. polyesteri, polyamidi) synnyttävät staattista sähköä, mikä voi estää tarkan sydämen lyöntinopeuden mittauksen.
- Matkapuhelimet, televisiot ja muut sähkölaitteet luovat sähkömagneettisen kentän, joka voi estää tarkan sydämen lyöntinopeuden mittauksen.

### Suurin sallittu sydämen lyöntinopeus (harjoituksen aikana)

Suurin sallittu sydämen lyöntinopeus on suurin lyöntinopeus, jonka henkilö voi turvallisesti saavuttaa harjoituksen rasituksella. Seuraavaa kaavaa käytetään laskemaan keskimääräinen suurin sallittu sydämen lyöntinopeus: 220 - IKÄ. Suurin sallittu sydämen lyöntinopeus vaihtelee

henkilöstä toiseen.

#### VAROITUS

- Varmista, ettet ylitä sydämesi suurinta sallittua lyöntinopeutta harjoituksen aikana. Jos kuulut riskiryhmään, ota yhteys lääkäriin.

#### Aloittelija

##### 50-60% suurimmasta sallitusta sydämen lyöntinopeudesta

Sopiva aloittelijoille, painonvartijoille, toipilaille, ja henkilöille, jotka eivät ole harjoitelleet pitkään aikaan. Harjoittele vähintään kolme kertaa viikossa, 30 minuuttia kerrallaan.

#### Edistynyt

##### 60-70% suurimmasta allitusta sydämen lyöntinopeudesta

Sopiva henkilöille, jotka haluavat parantaa ja ylläpitää kuntoaan. Harjoittele vähintään kolme kertaa viikossa, 30 minuuttia kerrallaan..

#### Ekspertti

##### 70-80 % suurimmasta sallitusta sydämen lyöntinopeudesta

Sopiva kunnoltaan erittäin hyvillä henkilöille, jotka ovat tottuneet pitkäkestoisiin harjoituksiin.

## Käyttö

### Tukijalkojen säätäminen

Laitte on varustettu 6 tukijalalla. Tukijalkoja voidaan säätää, jos laite ei ole vakaa.

- Käänä tukijalkoja tarpeen mukaan, jotta laite on vakaasti lattialla.
- Lukitse tukijalat kiristämällä lukkomutterit.

#### ILMOITUS

- Laitte on vakain, kun kaikki tukijalat on kierretty täysin sisään. Tämän vuoksi, aloita laitteen säätäminen vaakasuoraan kiertämällä kaikki tukijalat ensin täysin sisään, ennen kuin kierrät tarvittavia jalkoja ulospäin laitteen saamiseksi vakaaksi.

#### !

- Jotta laite ei käytettäessä vaurioitaisi lattian pintamateriaalia pidä huoli, etteivät liukukiskon U-suojaraudat ("U shape holder") ota kiinni lattiaan missään vaiheessa jalkaputkien edestakaista liikerataa (Kuva E-2). Säädä u-suojaraudalle ("U shape holder") sopiva vapaa liikkumatila lattiapintaan nähden laitteen säätöjalkojen ("Adjusting cushion") korkeussäädön avulla (ks. kokoamisohje kohta D-2-B osa n:o 134)

### Ohjauspaneelin säätö

Ohjauspaneeli voidaan säätää käyttäjän pituuden ja harjoitusasennon mukaisesti.

- Löysää paneelin säätönappia.
- Siirrä paneeli haluttuun kohtaan.
- Kiristä paneelin säätönappi.

### virtalähde (kuva. E-1)

Virtalähde Kuntolaitteessa on ulkoinen virtalähde. Katso oheisesta kuvasta, missä kuntolaitteesi virtapiste sijaitsee.

#### ILMOITUS

- Kiinnitä muuntaja laitteeseen ennen kuin yhdistät sen pistorasiaan.
- Irrota virtajohto seinästä aina kun laitetta ei käytetä.

## Ohjauspaneeli (kuva F)



1. Näyttö
2. taulu/ kirja teline
3. painikkeet

### ⚠ HUOMAUTUS

- Pidä ohjauspaneeli pois suorasta auringonvalosta.
- Kuivaa ohjauspaneelin pinta, jos siihen on tippunut hiekä.
- Älä nojaa ohjauspaneeliin.
- Kosketa näyttöä vain sormenpäälläsi. Älä kosketa näyttöä kynsilläsi tai terävillä esineillä.

### 🔊 ILMOITUS

- Ohjauspaneeli siirtyy valmiustilaan, kun laitetta ei ole käytetty 4 minuuttiin.

## Näytön toimintojen selitys

### Time (harjoitusaika)

- Jos tavoitearvoa ei aseteta, harjoitusaika lasketaan eteenpäin.
- Jos on asetettu tavoitearvo, harjoitusaika lasketaan tavoitearvosta taaksepäin 0:an, joka ilmoitetaan äänimerkillä tai valolla. Mikäli harjoittelua jatketaan vielä tavoitteen saavuttamisen jälkeen, aika lasketaan eteenpäin.
- Jos näyttö ei harjoittelun aikana vastaanota signaaleja 4 sekuntiin, harjoitusajan laskeminen lopetetaan (STOP).
- Alue on 0:00~99:59

### Speed

- Esittää senhetkisen harjoittelunopeuden.
- Alue on 0,0 ~ 99,9
- Jos näyttö ei harjoittelun aikana vastaanota signaalia 4 sekuntiin, näytön SPEED on "0.0"

### RPM

- Näyttää kierrokset minuutissa
- Alue on 0 ~ 999
- Jos näyttö ei harjoittelun aikana vastaanota signaalia 4 sekuntiin, näytön RPM on "0"

### Watt (watit)

- Esittää harjoittelun senhetkisen tehon. Alue on 0 ~ 999

### Level

- Näyttää jännitteen tason säätämisen vastuksen säätämisen aikana 3 sekunnin ajans.

### Distance (harjoitusmatka)

- Jos tavoitearvoa ei aseteta, harjoitusmatka lasketaan eteenpäin.
- Jos on asetettu tavoitearvo, harjoitusmatka lasketaan tavoitearvosta taaksepäin 0:an, joka ilmoitetaan äänimerkillä tai valolla. Mikäli harjoittelua jatketaan vielä tavoitteen saavuttamisen jälkeen, harjoitusmatkaa lasketaan eteenpäin.
- Alue on 0,00~99,99

### Calories (energiankulutus)

- Jos tavoitearvoa ei aseteta, kalorit lasketaan eteenpäin.
- Jos on asetettu tavoitearvo, kalorit lasketaan tavoitearvosta taaksepäin 0:an, joka ilmoitetaan äänimerkillä tai valolla. Mikäli harjoittelua jatketaan vielä tavoitteen saavuttamisen jälkeen, kalorit lasketaan eteenpäin.
- Alue on 0~999

### 🔊 HUOM

- Nämä tiedot ovat karkeita ohjeita erilaisten harjoittelujen vertailua varten, eikä niitä voida käyttää lääketieteellisen hoidon pohjana.

### Pulse (syke)

- Senhetkinen syke esitetään 6 sekunnin kuluttua siitä, kun konsoli havaitsee signaalin.
- Jos konsoli ei vastaanota sykkeen signaalia 6 sekuntiin, näytössä näkyy "P".
- Konsoli antaa varoitusäänen, jos senhetkinen syke ylittää tavoitesykkeen.
- Alue on 0-30~230 BPM

### BAI™

- Näytä BAI-kulutuksen BAI-arvo harjoittelun aikana.
- Näyttöalue 0~999

### 🔊 HUOM

- BAI (Body Activity Index, kehon aktiivisuusindeksi) on tehokkaan harjoitusvolyymin summa.
- Harjoitusvolyyymi = harjoituksen rasiustaso x harjoitusaika.

BAI laskee tehokkaan harjoitusvolyymin sykkeesi, ikäsi, sukupuolesi ja keston perusteella.

Näet harjoittelun aikana, miten BAI kertyy. Heti kun päätät harjoituskerran, saat kyseisen harjoituskerran BAI-kokonaispistemäärän, joka tarkoittaa kyseisen harjoituskerran tehokasta harjoitusvolyymia yhteensä.

Jos harjoittelet kovempaa, korkeammalla sykealueella, saat BAI-pisteitä nopeammin. Jos harjoittelet kevyemmin, matalammalla sykealueella, saat BAI-pisteitä hitaammin.

Suosittellemme harjoittelemaan niin, että BAI-pisteitä kertyy 100 joka viikko, jolloin vahvistat sydämesi toimintaa.

## Painikkeiden selitykset

### Up (valintapyörä)

- Kääntämällä valintapyörää myötäpäivään suurennat arvoa.
- Kääntämällä valintapyörää myötäpäivään

### Down (valintapyörä)

- Kasvattaa vastusta harjoituksen aikana.
- Kääntämällä valintapyörää vastapäivään pienennät arvoa.

### Mode/Enter

- Valitse jokainen toiminto painamalla näppäintä MODE/ENTER.

### Reset

- Voit nollata senhetkiset toiminnon arvot painamalla asetustilassa RESET-näppäintä.
- Pitämällä RESET-näppäintä alaspainettuna 2 sekunnin ajan nollaa kaikki toimintojen arvot

### Start/ Stop

- Käynnistää tai pysäyttää ( Tauko ) harjoituksen.

### Body fat

- Kehon rasvan mittaus ja painoindeksi

### Recovery

- Kun konsoli on havainnut sykkeen signaalin, siirry palautumistilaan painamalla RECOVERY-näppäintä, jotta voit valvoa sykkeen palautumiskykyä

### Toiminta

#### Laitteen kytkeminen päälle

- Laita pistotulppa pistorasiaan, tietokone käynnistyy ja näyttää LCD:llä kaikki segmentit 2 sekuntia.
- Voit aktivoida virransäätötilassa olevan konsolin painamalla mitä tahansa näppäintä.
- Voit aktivoida virransäätötilassa olevan konsolin alkamalla polkea.

Nestekidenäyttö esittää kaikki segmentit (kuva F-01)

#### Aseta käyttäjä

- Valitse käyttäjä: valitse valintapyörää kääntämällä U1~U4, vahvista painamalla MODE-painiketta.
- Valitse sukupuoli: valitse valintapyörää kääntämällä Male (mies) / Female (nainen), vahvista painamalla MODE-painiketta.
- Aseta ikä (A): valitse valintapyörää kääntämällä 1~99, vahvista painamalla MODE-painiketta.
- Aseta pituus (H): valitse valintapyörää kääntämällä 100~200, vahvista painamalla MODE-painiketta.
- Aseta paino (W): valitse valintapyörää kääntämällä 20~150, vahvista painamalla MODE-painiketta.

#### Harjoituksen valitseminen

Käytä valintapyörää YLÖS/ALAS valitaksesi seuraavat:

|          |                        |
|----------|------------------------|
| M        | Käsin                  |
| P1 ~ P12 | Ohjelmaprofiili 1 ~ 12 |
| HRC      | Sykeohjelma            |
| W        | Wattimääräohjelma      |
| U        | Käyttäjän ohjelma      |

#### Pois päältä / virransäätötila

Jos näyttö ei vastaanota signaaleja 4 minuuttiin, se siirtyy automaattisesti virransäätötilaan (SLEEP).

### Ohjelmat

#### Pika-aloitus

- Paina START/STOP-painiketta aloittaaksesi harjoittelun ilman ennalta määritettyjä asetuksia.
- Käytä valintapyörää YLÖS/ALAS säätääksesi vastustasoa harjoittelun aikana.

### Lopeta harjoituksesi

- Pysäytä/keskeytä harjoituksesi painamalla START/STOP-painiketta harjoittelutilassa.
- Jatka harjoitustasi painamalla START/STOP-painiketta taukotilassa.
- Nollaa kaikki harjoitustiedot painamalla RESET-painiketta (taukotilassa).
- Nollaa konsoli painamalla RESET-painiketta yhtäjaksoisesti yli kahden sekunnin ajan. (Käynnissä olevan harjoituksen tiedot menetetään.)

### Manuaalinen tila

- Käytä valintapyörän ylös/alas-toimintoa valitaksesi harjoitusohjelman. Valitse M (manuaalinen) -tila, vahvista painamalla MODE-painiketta.
- Käytä valintapyörän ylös/alas-toimintoa asettaaksesi vastustason, vahvista painamalla MODE-painiketta.
- Käytä valintapyörän ylös/alas-painiketta asettaaksesi ennalta määritetyn harjoitusajan, vahvista painamalla MODE-painiketta.
- Käytä valintapyörän ylös/alas-painiketta asettaaksesi ennalta määritetyn matkan, vahvista painamalla MODE-painiketta.
- Käytä valintapyörän ylös/alas-painiketta asettaaksesi harjoituksen ennalta määritetyt kalorit, vahvista painamalla MODE-painiketta.
- Käytä valintapyörän ylös/alas-painiketta asettaaksesi rajan pulssille, vahvista painamalla MODE-painiketta.

#### ⚠ HUOM

- Jos asetat useamman kuin yhden tavoitteen, harjoitus päättyy, kun ensimmäinen tavoite on saavutettu.
- Jätä tavoite tyhjäksi, niin sitä ei katsota ennalta määrittetyksi rajaksi.
- Jos asetat pulssirajan, harjoitus ei pääty, kun ylität asetetun rajan. Kuuluu äänimerkki, joka varoittaa käyttäjää rajan ylittämisestä.

- Paina START/STOP-painiketta aloittaaksesi harjoittelun.
- Käytä valintapyörän YLÖS/ALAS-painiketta säätääksesi vastustasoa. Kuormitustaso näkyy LEVEL (taso) -ikkunassa.

#### Ohjelmaprofiili 1~12

- Käytä valintapyörän ylös/alas-toimintoa valitaksesi harjoitusohjelman. Valitse yksi ennalta määritetyistä profiileista, vahvista painamalla MODE-painiketta.
- Käytä valintapyörän ylös/alas-toimintoa asettaaksesi vastustason, vahvista painamalla MODE-painiketta. Koko profiilia skaalataan vastaavasti.
- Käytä valintapyörän ylös/alas-painiketta asettaaksesi ennalta määritetyn harjoitusajan, vahvista painamalla MODE-painiketta.
- Paina START/STOP-painiketta aloittaaksesi harjoittelun.
- Käytä valintapyörän YLÖS/ALAS-painiketta säätääksesi vastustasoa. Koko profiilia skaalataan vastaavasti. Kuormitustaso näkyy LEVEL (taso) -ikkunassa.

Ohjelmaprofiilitilassa vastus säädetään automaattisesti ennalta määritettyyn profiiliin.

#### ⚠ HUOM

- Profiilin kunkin vaiheen kesto on 1/8 ennalta määrittämästäsi harjoitusajasta.
- Jos harjoitusaikaa ei ole asetettu, kunkin vaiheen kesto on ± 20 sekuntia, ja profiili alkaa aina toistuvasti uudelleen, kunnes lopetat harjoituksen itse.



## Puhdistus ja huolto

Laitte ei vaadi erityishuoltoa. Laitte ei vaadi uudelleenkalibrointia kokoonpanon, käytön ja ohjeiden mukaan suoritettuna huollon jälkeen.

### ⚠ VAROITUS

- Älä käytä liuottimia laitteen puhdistukseen.
- Puhdista laite pehmeällä, imukykyisellä kankaalla jokaisen käytön jälkeen.
- Tarkista säännöllisesti kaikkien ruuvien ja mutterien olevan tiukasti kiinni.
- Voitele nivelet tarvittaessa.

## Viat ja häiriöt

Huolimatta jatkuvasti laadunvarmistuksesta laitteessa voi tapahtua yksittäisen osan aiheuttamia vikoja ja häiriöitä. Useimmissa tapauksissa viallisen osan vaihtaminen on riittävää

- Jos laite ei toimi normaalisti, ota välittömästi yhteys jälleenmyyjään.
- Anna jälleenmyyjälle laitteen malli- ja sarjanumero. Kerro ongelman luonne, käyttöolosuhteet ja ostopäivä.

### Vianmääritys:

- Nestekidenäytön himmeys on osoitus siitä, että paristot pitää vaihtaa. Jos konsoli ei vastaanota signaalia polkemisen aikana, tarkista että johto on liitetty kunnolla.

### 🔧 HUOM

- Kun keskeytät harjoittelun 4 minuutiksi, päänäyttö kytkeytyy pois päältä.
- Jos tietojen esitys näytössä on epätavallista, asenna paristot uudestaan ja katso onko ongelma poistunut.

### Sykkivä rullat

- Säännöllinen käyttö: Levitä 2cc. voiteluaineiden sekä kiskot, kolmen kuukauden välein.
- Kun pyörät liikaa meteliä liikkeessaan, sovelletaan 2cc. voiteluainetta sekä kiskot.

### ⚠ VAROITUS

- Suosittelemme silikonipohjaisia voiteluainetta.
- Liika voiteluaine voi liata matto tai pölyä vaurioita. Pyyhi liikaa voiteluainetta kuivalla liinalla.

### Epätasainen tunne käytön aikana

Jos kone tuntuu epävakaalta tai epävakaalta käytön aikana, kannattaa säätää tukijalat, jotta runko on oikeaan korkeuteen. Lue tämän käyttöoppaan ohjeet isoista: "Käyttö"

## Kuljetus ja säilytys

### ⚠ VAROITUS

- Vähintään kahden henkilön on kannettava ja siirrettävä laitetta.
- Seisokaa laitteen edessä sen kummallakin puolella ja tarttukaa tiukasti kiinni käsitangoista. Nostakaa laitetta siten, että laitteen takapää on pyöriillä. Siirtäkää laite ja laskekaa se varovasti alas. Asettakaa laite suojalustalle lattiapinnan vaurioiden estämiseksi.
- Siirrä laitetta varovasti epätasaisilla pinnoilla. Älä siirrä laitetta yläkertaan pyöriä käyttäen. Suorita siirto kahvatuista kantaen.
- Säilytä laitetta kuivassa, mahdollisimman tasalämpötilaisessa paikassa.

## Lisätietoa laitteen omistajalle

### Pakkauksen hävittäminen

Lainsäädäntö ohjeistaa meitä vähentämään kaatopaikoille toimitettua jätteen määrää. Sen vuoksi pyydämme sinua toimittamaan kaikki pakkausjätteet sitä varten tarkoitettuun kierrätyspisteeseen.

### Laitteen hävittäminen käyttöiän päättyessä

Me Tunturilla toivomme, että iloitset kuntolaitteestasi vuosia. Jokainen kuntolaite tulee kuitenkin aikanaan oman käyttöikänsä loppuun. Kotitalouksien sähkö- ja elektroniikkalaiteromua käsittelevien eurooppalaisten määräysten (WEEE) mukaan sinun kuuluu toimittaa kuntolaitteesi sitä varten tarkoitettuun keräyspaikkaan.

## Tekniset tiedot

| Parametri                       | Mittayksikkö | Arvo                  |
|---------------------------------|--------------|-----------------------|
| Telemetrinen sykevastaanotin    | Taajuus      | 5.3 Khz/<br>Bluetooth |
| Pituus                          | cm<br>inch   | 195,0<br>76.8         |
| Leveys                          | cm<br>inch   | 74,0<br>29.1          |
| Korkeus                         | cm<br>inch   | 162,0<br>63.8         |
| Paino                           | kg<br>lbs    | 73.5<br>161.7         |
| Suurin sallittu käyttäjän paino | kg<br>lbs    | 120<br>265            |
| Sovitin Jännite/ Virta          | V<br>Ma.     | 9V-DC<br>1.0 A        |

## Takuu

### Tunturi-kuntolaitteen omistajan takuu

#### Takuuehdot

Kuluttajalla on sovellettavan kulutustavaroiden kauppaa koskevan kansallisen lainsäädännön mukaiset lailliset oikeudet, eikä takuulla rajoiteta näitä oikeuksia. Omistajan Takuu on voimassa vain, mikäli laitetta käytetään Tunturi New Fitness BV:n kyseiselle laitteelle sallimassa käyttöympäristössä. Kunkin laitteen sallittu käyttöympäristö mainitaan laitteen käyttöohjeessa.

#### Takuuehdot

Takuuehdot tulevat voimaan tuotteen ostopäivästä lukien. Takuuehdot voivat olla erilaiset eri maissa, joten pyydä takuuehdot paikalliselta jälleenmyyjältä.

#### Takuun kattavuus

Missään olosuhteissa Tunturi New Fitness BV tai Tunturi-jälleenmyyjä ei vastaa ostajalle mahdollisesti aiheutuvista välillisistä vahingoista, kuten käyttöhyödyn tai tulojen menetyksestä taikka muista taloudellisista seurausvahingoista.

#### Takuun rajoitukset

Takuu kattaa työstä ja materiaalista johtuvat virheet kuntolaitteessa, joka on alkuperäisessä kokoonpanossaan. Takuu koskee vain virheitä, jotka ilmenevät normaalissa ja laitteen mukana tulleen ohjekirjan mukaisessa käytössä edellyttäen, että Tunturin asennus-, huolto- ja käyttöohjeita on noudatettu. Tunturi New Fitness BV:n ja Tunturin jälleenmyyjät eivät vastaa virheistä, jotka aiheutuvat

heidän vaikutusmahdollisuuksiensa ulkopuolella olevista seikoista. Takuu on voimassa vain niissä maissa, joissa Tunturi New Fitness BV:llä on valtuutettu maahantuoja. Takuu ei koske sellaisia kuntolaitteita tai osia, joita on muutettu ilman Tunturi New Fitness BV:n suostumusta. Takuu ei koske virheitä, jotka johtuvat luonnollisesta kulumisesta, virheellisestä käytöstä, käytöstä olosuhteissa, joihin kuntolaitetta ei ole tarkoitettu, korroosiosta tai lastaus- tai kuljetusvahingoista.

Takuu ei koske käyttöäniä, jotka eivät olennaisesti haittaa laitteen käyttöä eivätkä johdu laitteessa olevasta virheestä.

Takuu ei myöskään sisällä kunnossapitotoimenpiteitä, kuten puhdistusta, voitelua tai sen osien normaalia tarkistamista, eikä sellaisia asennustoimenpiteitä, jotka asiakas voi suorittaa itse ja jotka eivät edellytä erityistä kuntolaitteen purkamista / kokeamista. Tällaisia toimenpiteitä ovat esim. mittareiden, polkimien tai muiden vastaavien yksinkertaisten osien vaihdot. Muun kuin valtuutetun Tunturi-edustajan suorittamia takuukorjauksia ei korvata. Laitteen käyttöohjeen noudattamatta jättäminen aiheuttaa takuun raukeamisen.

## **Valmistajan vakuutus**

---

Tunturi New Fitness BV vakuuttaa tuotteen täyttävän seuraavien standardien ja direktiivien vaatimukset: EN 957 (HB), 89/336/ETY. Tässä tuotteessa on sen vuoksi CE-merkki..

01-2017

Tunturi New Fitness BV  
Purmerweg 1  
1311 XE Almere  
Alankomaat

## **Vastuuvapauslauseke**

---

© 2017 Tunturi New Fitness BV  
Kaikki oikeudet pidätetään.

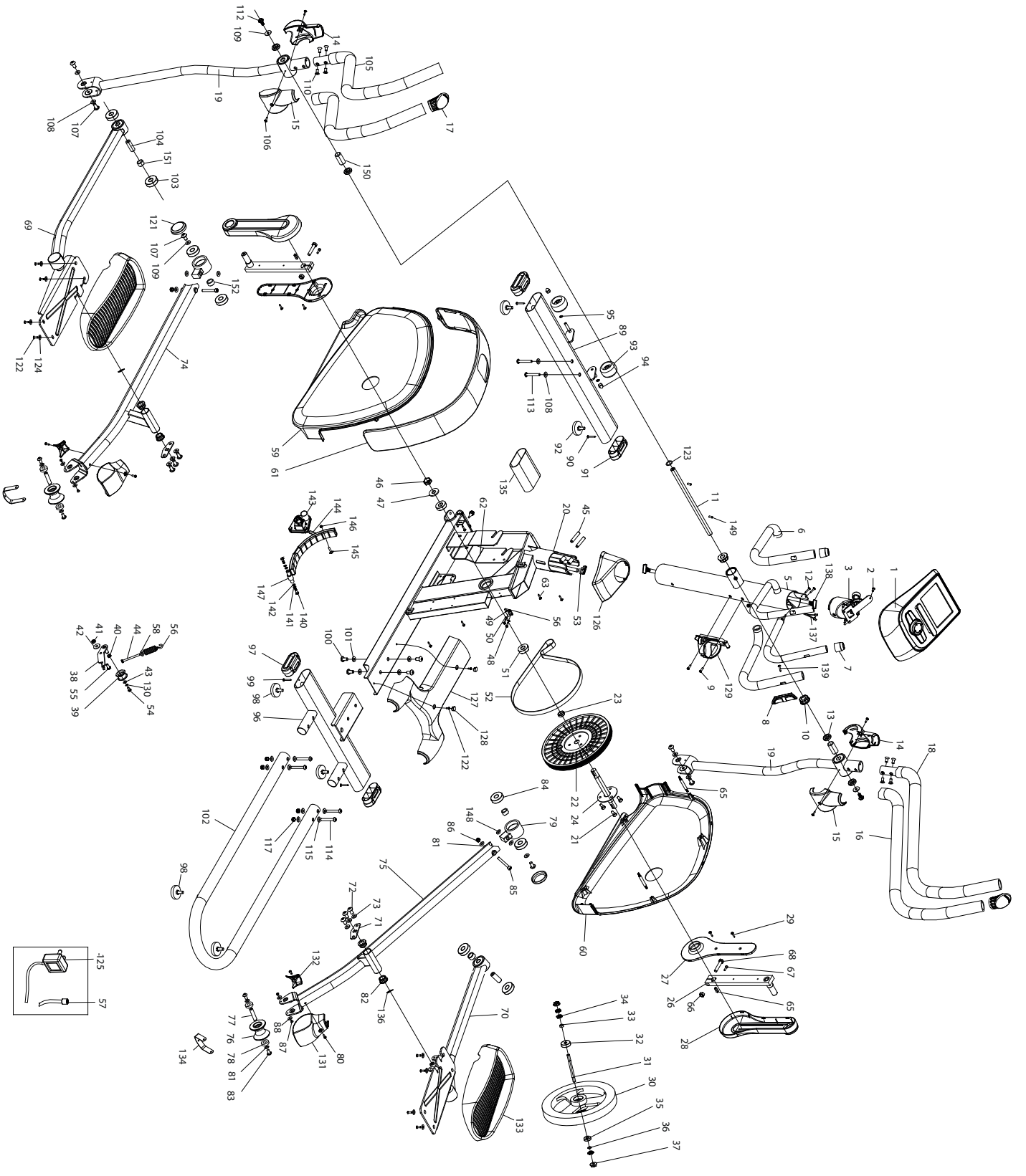
Tuote ja käyttöopas saattavat muuttua. Teknisiä tietoja saatetaan muuttaa ilman eri ilmoitusta.



| #  | Description                       | Qty |
|----|-----------------------------------|-----|
| 1  | Console                           | 1   |
|    | Console                           | 1   |
| 2  | Cross head screw                  | 3   |
| 3  | Console bracket assembly Gen. B   | 1   |
| 5  | Handlebar post                    | 1   |
| 6  | Foam grip                         | 2   |
| 7  | Handlebar End cap                 | 2   |
| 8  | Hand pulse sensor                 | 2   |
| 9  | Screw                             | 2   |
| 10 | Bushing                           | 2   |
| 11 | Handlebar fix shaft               | 1   |
| 12 | Screw                             | 1   |
| 13 | Bearing                           | 2   |
| 14 | Upper handlebar cover, front      | 2   |
| 15 | Upper handlebar cover (RH)ear     | 2   |
| 16 | Foam grip                         | 2   |
| 17 | End cap for moving handlebar      | 2   |
| 18 | Upper handlebar Compl. Assy. (RH) | 1   |
| 18 | Upper handlebar (RH)              | 1   |
| 19 | Lower handlebar                   | 2   |
| 20 | Main frame                        | 1   |
| 21 | Hex. Screw                        | 3   |
| 22 | Drive pulley                      | 1   |
| 23 | Bushing                           | 1   |
| 24 | Axle for pulley                   | 1   |
| 26 | Crank arm (R/L)                   | 2   |
| 27 | Crank cover (inner)               | 2   |
| 28 | Crank cover (outter)              | 2   |
| 29 | Screw                             | 4   |
| 30 | Flywheel assy set (30~37)         | 1   |
| 31 | Axle for flywheel                 | 1   |
| 32 | Bearing                           | 1   |
| 33 | Bushing                           | 1   |
| 34 | Nut                               | 3   |
| 35 | Bearing                           | 1   |
| 36 | Flat washer                       | 1   |
| 37 | Pattem Nut                        | 2   |
| 38 | Belt tightener                    | 1   |
| 39 | Idler wheel                       | 1   |
| 40 | Wave washer                       | 2   |
| 41 | Nylon nut                         | 1   |
| 42 | Flat washer                       | 1   |
| 43 | Flat washer                       | 1   |
| 44 | Hex. Screw                        | 1   |
| 45 | Screw                             | 2   |
| 46 | Nylon nut                         | 1   |
| 47 | Flat washer                       | 1   |
| 48 | Screw                             | 2   |
| 49 | Sensor holder                     | 1   |
| 50 | Flat washer                       | 2   |
| 51 | Bearign                           | 2   |
| 52 | Drive belt                        | 1   |
| 53 | Cable wire                        | 1   |

|     |                             |   |
|-----|-----------------------------|---|
| 54  | Hexagaon Screw              | 1 |
| 55  | Hex. Screw                  | 1 |
| 56  | Spring                      | 1 |
| 57  | DC wire                     | 1 |
| 58  | Flat washer                 | 1 |
| 59  | Side cover (LH)             | 1 |
| 60  | Side cover (RH)             | 1 |
| 61  | Top cover                   | 1 |
| 62  | Screw                       | 3 |
| 63  | Screw                       | 3 |
| 64  | Shaft of chain cover        | 2 |
| 65  | Pin                         | 2 |
| 66  | Nylon nut                   | 2 |
| 67  | Hex. Screw                  | 2 |
| 68  | Hex. Screw                  | 2 |
| 69  | Pedal tube (LH)             | 1 |
| 70  | Pedal tube (RH)             | 1 |
| 71  | Pedal connector             | 2 |
| 72  | Screw                       | 6 |
| 73  | Flat washer                 | 6 |
| 74  | Pedal arm (LH)              | 1 |
| 75  | Pedal arm (RH)              | 1 |
| 76  | Slide wheel                 | 2 |
| 77  | Fixed tube for slider wheel | 2 |
| 78  | Bearing                     | 4 |
| 79  | Pedal arm connector         | 2 |
| 80  | Screw                       | 4 |
| 81  | Flat washer                 | 6 |
| 82  | Bushing                     | 4 |
| 83  | Screw                       | 4 |
| 84  | Bearing                     | 4 |
| 85  | Screw                       | 2 |
| 86  | Nylon nut                   | 2 |
| 87  | Screw                       | 4 |
| 88  | Flat washer                 | 4 |
| 89  | Front foot                  | 1 |
| 90  | Screw                       | 2 |
| 91  | End cap of stabilizer       | 2 |
| 92  | Adjusting cushion           | 2 |
| 93  | Transportation wheel        | 2 |
| 94  | Acron nut                   | 2 |
| 95  | C clip                      | 2 |
| 96  | Rear foot                   | 1 |
| 97  | Foot end cap                | 2 |
| 98  | Adjusting cushion           | 4 |
| 99  | Screw                       | 2 |
| 100 | Screw                       | 4 |
| 101 | Flat washer                 | 4 |
| 102 | U shape slider              | 1 |
| 103 | Bearing                     | 4 |
| 104 | Bushing                     | 2 |
| 105 | Upper handlebar (LH)        | 1 |
| 106 | Screw                       | 4 |
| 107 | Allen bolt                  | 6 |

|     |                                   |    |
|-----|-----------------------------------|----|
| 108 | Flat washer                       | 6  |
| 109 | Flat washer                       | 4  |
| 110 | Allen bolt (suncken)              | 8  |
| 112 | Screw                             | 2  |
| 113 | Allen bolt                        | 2  |
| 114 | Screw                             | 4  |
| 115 | Semi- circle washer               | 8  |
| 117 | Nylon nut                         | 6  |
| 118 | Hexagon wrench Add cross          | 1  |
| 119 | Spanner tool                      | 2  |
| 120 | Hexagon wrench                    | 1  |
| 121 | Cap for pedal connector           | 2  |
| 122 | Screw                             | 10 |
| 123 | Flat washer                       | 2  |
| 124 | Flat washer                       | 8  |
| 125 | Switching adaptor (C-Plug)        | 1  |
|     | Switching adaptor (A-Plug)        | 1  |
| 126 | Cover for front post              | 1  |
| 127 | Cover for main frame              | 1  |
| 128 | End cap for cover                 | 2  |
| 129 | Bottle holder                     | 1  |
| 130 | Flat washer                       | 1  |
| 131 | Upper cover for wheel             | 2  |
| 132 | Lower cover for wheel             | 2  |
| 133 | Pedal (R (LH))                    | 2  |
| 134 | U shape holder                    | 2  |
| 135 | Fixed tube of bracket             | 1  |
| 136 | Wave washer                       | 2  |
| 137 | Hand pulse sensor wire            | 1  |
| 138 | Console wire upper                | 1  |
| 139 | Screw                             | 2  |
| 140 | Hexagaon Screw                    | 2  |
| 141 | Flat washer                       | 2  |
| 142 | Spring washer                     | 2  |
| 143 | Servomotor set C55 (&53)          | 1  |
| 144 | Adjusting lever                   | 1  |
| 145 | Screw                             | 1  |
| 146 | Nut                               | 1  |
| 147 | Magnetic brake system Assy compl. | 1  |
| 148 | Washer                            |    |
| 149 | Screw                             | 2  |
|     |                                   |    |
|     | Label set                         | 1  |
|     | Hardware kit Cross                | 1  |
|     | User manual                       | 1  |





## Tunturi New Fitness BV

Purmerweg 1 NL - 1311 XE Almere  
P.O. Box 60001 NL - 1320 AA Almere  
The Netherlands

[www.tunturi.com](http://www.tunturi.com)  
[info@tunturi.com](mailto:info@tunturi.com)

