





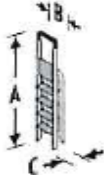



Produktdatenblatt

| | |
|---|---|
| |  |
| Marke |  |
| Art.-Nr. | 630914700000 |
|  | 7 |
|  | A = 53 cm B = 132 cm |
|  | A = 230 cm B = 150 cm |
|  | 350 cm |
|  | A = 234 cm B = 53 cm C = 17 cm |
|  | 8.5 |