

# Bestway®

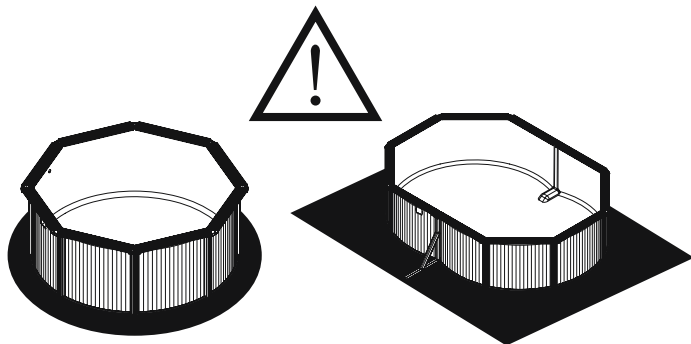


EN  
PT  
ES  
DE  
FI  
NL  
IT  
FR  
EL  
RU  
PL  
HU  
SV



[bestwaycorp.com/support](http://bestwaycorp.com/support)

Visit Bestway YouTube channel 

**Attention!**

Before setting up your pool ensure your selected location is completely firm and level. Assemble the pool on the provided ground cloth.

**Achtung!**

Vergewissern Sie sich, dass der gewählte Untergrund absolut fest und eben ist, bevor Sie den Pool aufbauen. Montieren Sie den Pool auf dem mitgelieferten Bodentuch.

**Attenzione!**

Prima di montare la piscina, accertarsi che il luogo scelto per l'installazione sia compatto e in piano. Assemblare la piscina sul telo in dotazione.

**Внимание!**

Прежде чем устанавливать бассейн, убедитесь, что выбранное вами место твердое и совершенно ровное. Сборку бассейна выполняйте на земле на подложке, входящей в комплект.

**Beakta följande!**

Innan du sätter upp din pool måste du försäkra dig om att platsen är fullständigt fast och jämn. Montera ihop den på det tillhandahållna markskyddet.

**Atenção!**

Antes de montar a sua piscina certifique-se que a localização que seleccionou está completamente firme e nivelada. Monte a piscina sobre o pano de pavimento fornecido.

**Huomaa!**

Varmista ennen uima-altaan asentamista, että altaan alusta on täysin tasainen ja luja. Kokoa allas toimitukseen sisältyvän pohjakankaan päälle.

**Attention!**

Avant de monter votre piscine, assurez-vous que l'emplacement choisi est parfaitement ferme et plat. Assemblez la piscine sur le tapis de sol fourni.

**Ważne!**

Przed złożeniem basenu upewnij się, że podłoże jest twarde i równe. Basen montuj na dołączonej do zestawu płachcie.

**¡Atención!**

Antes de instalar la piscina asegúrese de que la ubicación elegida esté nivelada. Monte la piscina sobre la esterilla de suelo incluida.

**Aandacht!**

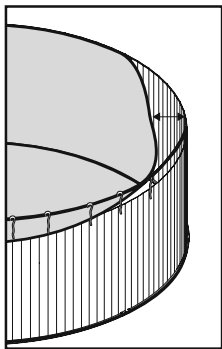
Verzeker u, alvorens uw zwembad te monteren, dat de door u gekozen plaats volledig vlak en stevig is. Monteer het zwembad op het meegeleverde grondzeil.

**ΠΡΟΣΟΧΉ!**

ΠΡΙΝ ΣΤΉΣΕΤΕ ΤΗΝ ΠΙΣΊΝΑ ΣΑΣ, ΒΕΒΑΙΩΘΕΊΤΕ ΌΤΙ Η ΘΈΣΗ ΠΟΥ ΕΠΙΛΈΞΑΤΕ ΕΊΝΑΙ ΣΤΈΡΕΗ ΚΑΙ ΕΠΊΠΕΔΗ. ΣΥΝΑΡΜΟΛΟΓΉΣΤΕ ΤΗΝ ΠΙΣΊΝΑ ΠΆΝΩ ΣΤΟ ΠΑΡΕΧΌΜΕΝΟ ΓΕΩΎΦΑΣΜΑ.

**Figyelem!**

A medence felállításáa előtt győződjön meg arról, hogy a kiválasztott helyszín megfelelő keménységű és vízszintes felszínű. Szerelje össze a medencét a mellékelt talajtakaró textílien.



**NOTE:** The liner of the steel wall pool is designed to be smaller than the steel wall for technical reasons. If you find it difficult to assemble the liner, place the liner under the sun for one hour which will make it more pliable. You should then be able to assemble the liner step by step, stretching it by hand at the same time. This procedure will not damage the liner.

**NOTA:** O forro da piscina de parede em aço está concebido para ser mais pequeno do que a parede em aço por motivos técnicos. Se sentir dificuldade em montar o forro, coloque-o ao sol durante uma hora, o que o irá tornar mais flexível. Depois já deverá ser capaz de montar o forro passo a passo, esticando-o manualmente ao mesmo tempo. Este procedimento não irá danificar o forro.

**NOTA:** Por motivos técnicos, el revestimiento interno de la piscina de pared de acero está diseñado en un tamaño menor que la pared de acero. Si le resulta difícil montar el revestimiento, sitúe el revestimiento al sol durante una hora y será más manejable. Así podrá montar el revestimiento paso a paso, estirándolo a mano simultáneamente. Este procedimiento no dañará el revestimiento.

**HINWEIS:** Die Innenverkleidung des Stahlwandpools ist aus technischen Gründen kleiner als die Außenwand. Wenn Sie Schwierigkeiten bei der Anbringung der Innenverkleidung haben, legen Sie diese eine Stunde lang in die Sonne, um sie biegsamer zu machen. Dann können Sie die Innenverkleidung Schritt für Schritt anbringen, indem diese von Hand gezogen wird. Dieser Vorgang beschädigt die Innenverkleidung nicht.

**HUOMAA:** Teräseinän vuoren on tarkoitettu olla teräseinää pienempi. Tähän on teknisiä syitä. Jos vuorta on vaikeaa saada paikalleen, jätä se aurinkoon yhdeksi tunniksi. Lämmennyttä vuorta on helpompi käsitellä. Vuoren asettaminen paikoilleen tulisi onnistua tämän jälkeen vähän kerrallaan venyttämällä vuorta samalla käsin. Tämä toimenpide ei vahingoita vuorta.

**OPMERKING:** De bekleding van het zwembad met stalen wanden is ontworpen om kleiner te zijn dan de stalen wand omwille van technische redenen. Als u het moeilijk vindt om de bekleding te monteren, plaats de bekleding gedurende één uur onder de zon waardoor ze soepelder zal zijn. U zou dan de bekleding stap voor stap moeten kunnen monteren door deze tegelijkertijd met de hand uit te rekken. Deze procedure zal de bekleding niet beschadigen.

**NOTA:** Il rivestimento della piscina con pareti in acciaio è progettato per essere più piccolo delle pareti in acciaio per motivi tecnici. Se montare il rivestimento risulta difficile, posizionare il rivestimento sotto il sole per un'ora in modo che diventi più flessibile. Inoltre, montare il rivestimento passo dopo passo, tirandolo contemporaneamente con le mani. Questa procedura non danneggia il rivestimento.

**REMARQUE:** La bâche de la piscine à paroi en acier est conçue pour être plus petite que la paroi en acier pour des raisons techniques. Si vous avez du mal à monter la bâche, placez-la en plein soleil pendant une heure, elle sera alors plus facile à plier. Vous devriez être alors en mesure de monter la bâche pas à pas, tout en tirant dessus manuellement. Cette procédure n'abîmera pas la bâche.

**ΣΗΜΕΙΩΣΗ:** Η ΕΠΕΝΔΥΣΗ ΠΙΣΙΝΑΣ ΜΕ ΧΑΛΥΒΔΙΝΟ ΤΟΙΧΩΜΑ ΈΧΕΙ ΣΧΕΔΙΑΣΤΕΙ ΓΙΑ ΝΑ ΕΙΝΑΙ ΜΙΚΡΟΤΕΡΗ ΑΠΟ ΤΟ ΧΑΛΥΒΔΙΝΟ ΤΟΙΧΩΜΑ ΓΙΑ ΤΕΧΝΙΚΟΥΣ ΛΟΓΟΥΣ. ΑΝ ΔΥΣΚΟΛΕΥΤΕΙΤΕ ΝΑ ΣΥΝΑΡΜΟΛΟΓΗΣΕΤΕ ΤΗΝ ΕΠΕΝΔΥΣΗ, ΤΟΠΟΘΕΤΗΣΤΕ ΤΗΝ ΕΠΕΝΔΥΣΗ ΣΤΟΝ ΗΛΙΟ ΓΙΑ ΜΙΑ ΩΡΑ, ΚΑΤΙ

ΠΟΥ ΘΑ ΤΗΝ ΚΑΤΑΣΤΗΣΕΙ ΠΙΟ ΕΥΚΑΜΠΤΗ. ΣΤΗ ΣΥΝΕΧΕΙΑ ΘΑ ΠΡΕΠΕΙ ΝΑ ΜΠΟΡΕΣΕΤΕ ΝΑ ΣΥΝΑΡΜΟΛΟΓΗΣΕΤΕ ΤΗΝ ΕΠΕΝΔΥΣΗ ΒΗΜΑ ΠΡΟΣ ΒΗΜΑ, ΤΑΥΤΟΧΡΟΝΑ ΤΕΝΤΩΝΟΝΤΑΣ ΤΗΝ ΜΕ ΤΟ ΧΕΡΙ. ΑΥΤΗ Η ΔΙΑΔΙΚΑΣΙΑ ΔΕ ΘΑ ΠΡΟΚΑΛΕΣΕΙ ΖΗΜΙΑ ΣΤΗΝ ΕΠΕΝΔΥΣΗ.

**ПРИМЕЧАНИЕ.** По техническим причинам лайнер стальной стенки бассейна рассчитан так, что его размер меньше, чем стальная стенка. Если вам трудно натянуть лайнер, положите его на солнце на один час, в результате чего он станет более пластичным. После этого вы сможете постепенно установить лайнер, одновременно растягивая его руками. Эта процедура не приведет к повреждению лайнера.

**UWAGA:** Ze względów technicznych wkładka do stalowej ściany basenu jest mniejsza niż stalowa ściana. Jeżeli wystąpią trudności w dopasowaniu wkładki, wkładkę należy wystawić na godzinę na działanie promieni słonecznych, aby stała się bardziej elastyczna. Potem należy stopniowo dopasowywać wkładkę, jednocześnie rozciągając ją za pomocą ręki. Taki sposób postępowania nie spowoduje uszkodzenia wkładki.

**MEGJEGYZÉS:** Az acélfalú medence bevonatát műszaki okokból az acélfalnál kisebb méretűre tervezték. Ha nehezebbé esik a bevonat összeépítése, tegye ki egy órára a napra, hogy hajlíthatóbbra puhuljon. Ezt követően az anyagot kézzel nyújtva, lépésenként összeépítheti a bevonatot. Ez az eljárás nem tesz kárt a bevonatban.

**OBS!** Stålväggsplens liner är utformad för att vara mindre än stålväggen av tekniska skäl. Om du tycker att det är svårt att montera linern, lägg den då i solen under en timme vilket gör den mer böjbar. Därefter bör du kunna montera linern stegvis, sträck den samtidigt för hand. Den här proceduren skadar inte linern.





## HYDRIMUM™ OVAL POOLS OWNER'S MANUAL

### ⚠ WARNING

Carefully read, understand, and follow all information in this user manual before installing and using the swimming pool. These warnings, instructions, and safety guidelines address some common risks of water recreation, but they cannot cover all risks and dangers in all cases. Always use caution, common sense, and good judgment when enjoying any water activity. Retain this information for future use.

#### Non Swimmers safety

- Continuous, active, and vigilant supervision of weak swimmers and non-swimmers by a competent adult is required at all times (remembering that children under five are at the highest risk of drowning).
- Designate a competent adult to supervise the pool each time it is being used.
- Weak swimmers or non-swimmers should wear personal protection equipment when using the pool.
- When the pool is not in use, or unsupervised, remove all toys from the swimming pool and its surrounding to avoid attracting children to the pool.

#### Safety devices

- In order to prevent children from drowning, it is recommended to secure the access to the pool with a protection device. In order to prevent children climbing from the inlet and outlet valve, it is recommended to install a barrier (and secure all doors and windows, where applicable) to prevent unauthorized access to the swimming pool.
- Barriers, pool covers, pool alarms, or similar safety devices are helpful aids, but they are not substitutes for continuous and competent adult supervision.

#### Safety equipment

- It is recommended to keep rescue equipment (e.g. a ring buoy) by the pool.
- Keep a working phone and a list of emergency phone numbers near the pool.

#### Safe use of the pool

- Encourage all users especially children to learn how to swim.
- Learn Basic Life Support (Cardiopulmonary Resuscitation - CPR) and refresh this knowledge regularly. This can make a life-saving difference in the event of an emergency.
- Instruct all pool users, including children, what to do in case of an emergency.
- Never dive into any shallow body of water. This can lead to serious injury or death.
- Do not use the swimming pool when using alcohol or medication that may impair your ability to safely use the pool.
- When pool covers are used, remove them completely from the water surface before entering the pool.
- Protect pool occupants from water related illnesses by keeping the pool water treated and practicing good hygiene. Consult the water treatment guidelines in the user's manual.
- Store chemicals (e.g. water treatment, cleaning or disinfection products) out of the reach of children.
- Use the signage as outlined below. Signage is to be displayed in a prominent position within 2m of the pool.



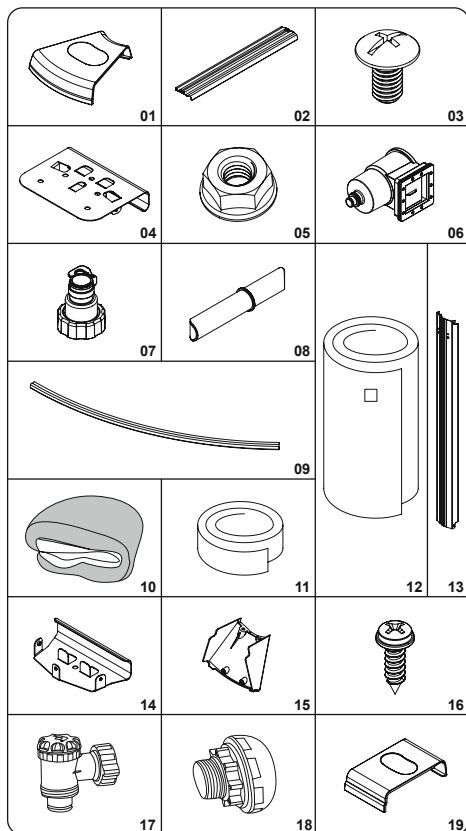
- Keep children under supervision in the aquatic environment. No diving.
- Removable ladders shall be placed on a horizontal surface.
- Irrespective of materials used for swimming pool construction, accessible surfaces have to be checked regularly to avoid injuries.
- Regularly monitor bolts and screws; splinters or any sharp edges to avoid injuries.
- **ATTENTION:** Do not leave the drained pool outside. The empty pool is liable to being deformed and/or displaced due to wind.
- If have a filter pump, refer to the pump's manual for instructions.
- **WARNING!** The pump cannot be used while people are inside the pool!
- If have a ladder, refer to the ladder's manual for instructions.

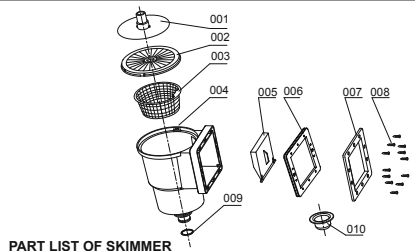
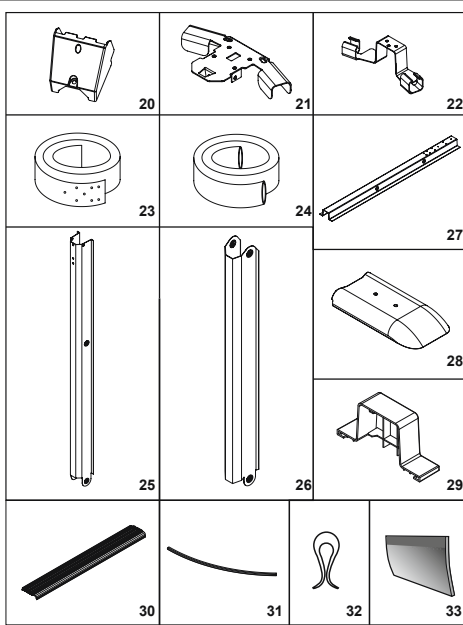
**WARNING!** The use of a swimming pool implies compliance with the safety instructions described in the operating and maintenance guide. In order to prevent drowning or other serious injuries, pay particular attention to the possibility of unexpected access to the swimming pool by children under 5 years by securing the access to it, and, during the bathing period, keep them under constant adult supervision.

**NOTE:** When installing the pool, the position of skimmer should be opposite to the main wind direction. The placement of the ladder in the pool shall be away from the skimmer.

**Please read carefully and keep for future reference**

### Parts Reference

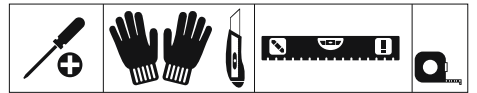




**PART LIST OF SKIMMER**

NO.	Name	Quantity	Spare Part No.
001	Hose attachment	1	P6774ASS16
002	Cover	1	P6991ASS16
003	Basket	1	P6776ASS16
004	Skimmer	1	P6777ASS16
005	Weir	1	P6992ASS16
006	Gasket	1	P6993ASS16
007	Face plate	1	P6780ASS16
008	M5x22 screw	12	/
009	O-ring	1	/
010	Plug	1	P6813ASS16

**Tools Required (not included):**



Installation usually takes approximately 3 hours with 2-3 people excluding earthworks and filling.

NO.	Name	Material	56586;56587		56369;56370	
			5.00 m x 3.60 m x 1.20 m (16'5" x 12' x 48")		6.10 m x 3.60 m x 1.20 m (20' x 12' x 48")	
			Qty	Spare Part No.	Qty	Spare Part No.
1	Upper joint protector	PP	8	P6743ASS16	8	P6743ASS16
2	Long top platform	Coated Steel	10	P6745ASS16	6	P6745ASS16
3	M6x11 bolt	Stainless Steel 304	170	P6746ASS16	214	P6746ASS16
4	Top metal piece	Steel	8	P6747ASS16	8	P6747ASS16
5	M6 nut	Stainless Steel 304	52	P6748ASS16	74	P6748ASS16
6	Skimmer		1	P6762ASS16	1	P6762ASS16
7	Hose adapter		2	F6H202ASS16	2	F6H202ASS16
8	Rail connector	PP	32	P6990ASS16	32	P6990ASS16
9	Long Rail	PVC	20	P61236ASS16	12	P61237ASS16
10	Liner	PVC	1	56286ASS18	1	56369ASS18
11	3M Self-adhesive tape		1	P6756ASS16	1	P6756ASS16
12	Steel wall	Coated Steel	1	P61447ASS17	1	P61448ASS17
13	Pool vertical support	Coated Steel	8	P6757ASS16	8	P6757ASS16
14	Bottom metal piece	Steel	8	P6761ASS16	8	P6761ASS16
15	Bottom joint protector	PP	8	P6759ASS16	8	P6759ASS16
16	ST4x14 screw	Stainless Steel 304	22	P61491ASS17	28	P61491ASS17
17	Control Valve		1	P6(H2)510ASS18	1	P6(H2)510ASS18
18	Pool Inlet Strainer		1	P6(H2)1317ASS18	1	P6(H2)1317ASS18
19	Side upper joint	PP	2	P6800ASS16	4	P6800ASS16
20	Side bottom joint	PP	2	P6801ASS16	4	P6801ASS16
21	Side top metal piece	Steel	2	P6802ASS16	4	P6802ASS16
22	Side bottom metal piece	Steel	2	P6826ASS16	4	P6826ASS16
23	Steel belt	Steel	1	P6810ASS16	2	P6810ASS16
24	Steel belt cover	PVC	1	P6811ASS16	2	P6811ASS16
25	Side vertical support	Coated Steel	2	P61249ASS16	4	P61249ASS16
26	Side oblique support	Coated Steel	2	P61250ASS16	4	P61250ASS16
27	Side bottom support	Steel	2	P6827ASS16	4	P6827ASS16
28	Inside bottom protector	PP	2	P6828ASS16	4	P6828ASS16
29	Side bottom protector	PP	2	P61251ASS16	4	P61251ASS16
30	Short top platform	Coated Steel	/	/	6	P61234ASS16
31	Short Rail	PVC	/	/	12	P61238ASS16
32	Clips	Plastic	20	/	20	/
33	Foam protector	EPE	8	P61473ASS16	8	P61473ASS16

## SELECTING A SUITABLE LOCATION

### **WARNING: Leveling is extremely important.**

Carefully select the location for your new pool. This is the most important decision you will have to make to ensure the safety and success of your pool's construction. A poorly-chosen location could cause problems in the future that may cause injury, death or financial loss. Read carefully the checklist below when selecting where to set up your pool.

#### **Acceptable:**

- Flat, level, firm and dry ground with easy access to all sides of the pool
- Exposed to direct sunlight, preferable in the morning
- Safe access to electricity for running the filter pump and other pool accessories
- Easy to access to a water source
- Protection from wind

#### **Unacceptable:**

- Sloping, uneven ground
- Sandy, rocky or soggy ground
- Close to wooden construction (e.g. pergolas and decking)
- Next to trees
- Overhead wires and clotheslines
- Drains, electric wires or gas pipelines underneath the site
- Poor or little drainage
- High flood risk locations
- High wind conditions

**NOTE:** Remove the higher ground rather than filling the low laying ground. All grass and sod under entire pool area must be removed.

## POOL ASSEMBLY

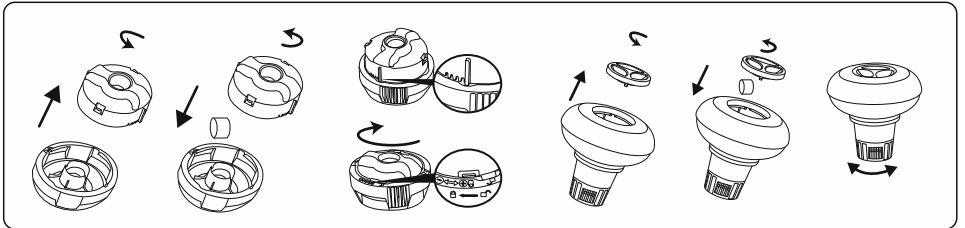
Please refer to diagram steps.

## Pool Maintenance

If you do not adhere to the maintenance guidelines below, your health might be at risk, especially that of your children.

### **Using chemical tablets (not included):**

**NOTE:** Chemconnect or Chemical Floater must be used when you perform chemical maintenance with tablets. Your purchased item may not include any of those dispensers, in this case you can purchase it by visiting our website [www.bestwaycorp.com](http://www.bestwaycorp.com) or at the nearest pool dealer.



**IMPORTANT:** Don't use granulate tablets or throw the tablet directly in the water. The chemicals can deposit on the bottom, damage the material and discolor the PVC.

### **Using chemical liquid (not included):**

**IMPORTANT:** Add chemical liquid in small doses and in the center of the pool to avoid direct contact between the chemicals and the PVC surface. Direct contact can damage the material and discolor the surface.

**NOTE:** Remove the chemical dispenser from pool when the pool is in use.

**IMPORTANT:** After performing chemical maintenance and before using the pool, use a test kit (not included) to test the water chemistry. We recommend maintaining your water according to the following table.

Parameters	Values
Water clarity	clear view of the pool bottom
Colour of the water	no colour should be observed
Turbidity in FNU/NTU	max. 1,5 (preferably less than 0,5)
Nitrate concentration above that of fill water in mg/l	max. 20
Total organic carbon (TOC) in mg/l	max. 4,0
Redox potential against Ag/AgCl 3,5 m KCl in mV	min. 650
pH value	6,8 to 7,6
Free active chlorine (without cyanuric acid) in mg/l	0,3 to 1,5
Free chlorine used in combination with cyanuric acid in mg/l	1,0 to 3,0
Cyanuric acid in mg/l	max. 100
Combined chlorine in mg/l	max. 0,5 (preferably close to 0,0 mg/l)

**NOTE:** Damage resulting from chemical imbalance is not covered by the warranty. Pool chemicals are potentially toxic and should be handled with care. There are serious health risks from chemical vapors and the incorrect labeling and storage of chemical containers. Please consult your local pool supply retailer for more information about chemical maintenance. Pay close attention to the chemical manufacturer's instructions. Pool damage resulting from misuse of chemicals and mismanagement of pool water is not covered by the warranty.

**IMPORTANT:** Over usage of chemicals can discolor the printing and all points of the pool material. It can also damage the structure of the pool liner.

### To keep your pool clean:

- Contact your local pool supply shop for advice and purchase of chemicals and pH kits. One of the most important factors to increase the life of the liner is to keep continuously clean and healthy water. Please strictly follow the instructions from professional technicians for the water treatment through the use of chemicals.
- Locate a bucket of water next to pool to clean users' feet before entering pool.
- Cover the pool when not in use.
- Skim pool regularly to avoid settled dirt.
- Check and wash the filter cartridge regularly.
- Gently clean any scum from below the top ring with a clean cloth.
- Please be careful in case of rain water, kindly check that the water level is not higher than the expected. If so, YOU HAVE TO DISCHARGE THE EXCESS WATER.
- If it rains, check that the water level is not higher than the specified level. If water exceeds the specified levels, drain the pool to the specified level.

### Proper maintenance can maximize the life of your pool.

During the season of use of the swimming pool, the filtration system must be necessarily put into service every day, enough time to assure at least a complete renewal of the volume of water.

**NOTE:** The pump is used to circulate the water and to filter small particles. In order to keep your pool water clean and hygienic, you must also add chemicals.

### Repair

In the event of a leak, patch your pool using the underwater adhesive repair patch provided. You can find the instructions in FAQs on the support section of our website, [www.bestwaycorp.com](http://www.bestwaycorp.com).

### Storage

- Please remove all the accessories and spare parts of the pool and store them clean and dry.
- Store liner and accessories in a dry place with a moderate temperature between 5°C / 41°F and 38°C / 100°F.
- During the rainy season, pool and accessories should be stored as per above instructions also.
- Improper draining of the pool might cause serious personal injury and/or damage to personal property.
- We strongly recommend the pool is disassembled during the off season (winter months). Store in a dry location out of children's reach.

If you do not want to dismantle the pool in winter, please observe the following instructions:

**IMPORTANT:** Do not drain all of the pool water. If you do so, the pool may be damaged by strong wind. Drain the water to 10cm below the inlet valve on the pool wall.

- Drain the water to 10cm below the inlet valve on the pool wall. You can use a pump or a garden hose (Diagrams 28, 29).
- Treat the pool water with a suitable chemical product.
- Remove the filtration system from the pool. You can leave the inlets/outlets attached to the pool.
- Also remove any other pool accessories and store them in a dry and cool place.
- Protect the pool with the pool cover.

If you want to dismantle the pool in winter, please observe the following instructions:

- Drain the pool with a garden hose, or use a drain pump to empty the pool (Diagram 28).
- Clean all pool parts with a sponge and soap with a neutral pH. Dry them and tidy them away in a dry and clean place.



## PISCINAS OVAIS HYDRIMUM™ MANUAL DO USUÁRIO

Visite o canal da Bestway no YouTube

### ⚠️ ATENÇÃO

Leia atentamente, compreenda e siga todas as instruções contidas neste manual de utilizador antes de instalar e utilizar a piscina. Estes avisos, instruções e orientações de segurança visam alguns riscos comuns de divertimentos aquáticos, contudo não podem abranger todos os riscos e perigos em todos os casos. Sempre que desfrutar de uma actividade aquática, deve ter cuidado, senso comum e bom discernimento. Preserve esta informação para utilização futura.

### Segurança dos Não-Nadadores

- É sempre necessária uma supervisão contínua, activa e vigilante dos nadadores mais vulneráveis e dos não-nadadores por um adulto competente (lembre-se que as crianças com idade inferior a cinco anos correm o risco mais elevado de afogamento).
- Nomeie um adulto competente para supervisionar a piscina sempre que esteja em utilização.
- Os nadadores mais vulneráveis ou não-nadadores devem utilizar equipamento de protecção pessoal sempre que utilizarem a piscina.
- Sempre que a piscina não estiver a ser utilizada ou sem supervisão, retire todos os brinquedos da piscina e dos seus arredores para evitar atrair crianças até à piscina.

### Dispositivos de segurança

- De modo a prevenir que as crianças se afoguem, recomenda-se que proteja o acesso à piscina com um dispositivo de protecção. De modo a prevenir que as crianças subam pelas válvulas de entrada e saída, recomenda-se que instale uma barreira (e proteja todas as portas e janelas, sempre que aplicável) para prevenir o acesso não autorizado à piscina.
- Barreiras, coberturas de piscina, alarmes de piscina ou dispositivos de segurança semelhantes são auxiliares muito úteis, embora não substituam a supervisão contínua e competente por um adulto.

### Equipamento de segurança

- Recomenda-se que mantenha equipamento de resgate (ex., uma bóia em anel) nas proximidades da piscina.
- Mantenha um telefone funcional e uma lista de telefones de emergência nas proximidades da piscina.

### Utilização segura da piscina

- Encoraje todos os utilizadores, em especial as crianças, a aprender a nadar.
- Aprenda medidas de Suporte Básico de Vida (Ressuscitação Cardiopulmonar - RCP) e renove este conhecimento regularmente. Isto pode ajudar a salvar vidas em caso de emergência.
- Instrua todos os utilizadores da piscina, incluindo as crianças, acerca do que devem fazer em caso de emergência.
- Nunca mergulhe em corpos de água pouco profundos. Isto pode causar ferimentos graves ou morte.
- Não utilize a piscina quando ingerir álcool ou medicamentos que possam afectar a sua capacidade para desfrutar dela em segurança.
- Caso tenha uma cobertura de piscina, retire-a completamente da superfície da água antes de entrar na piscina.
- Proteja os ocupantes da piscina de doenças relacionadas com a água, mantendo a água da piscina tratada e praticando uma boa higiene. Consulte as orientações de tratamento da água contidas no manual de utilizador.
- Armazene os químicos (ex., produtos de tratamento, limpeza e desinfecção da água) fora do alcance das crianças.



- Utilize a sinalização conforme indicado abaixo. A sinalização deve ser exibida numa posição proeminente a 2m da piscina.
- Mantenha as crianças sob supervisão no meio aquático. Não mergulhe.
- As escadas amovíveis devem ser colocadas numa superfície horizontal.
- Independentemente dos materiais utilizados na construção da piscina, as superfícies acessíveis devem ser verificadas regularmente para evitar ferimentos.
- Monitorize regularmente os parafusos e remova lascas ou quaisquer arestas afiadas para evitar ferimentos.

- **ATENÇÃO:** Não deixe a piscina drenada no exterior. Quando vazia, a piscina fica susceptível a sofrer deformações e/ou deslocamentos devido ao vento.
- Se tiver uma bomba de filtro, consulte o manual da bomba para obter instruções.

**ATENÇÃO!** A bomba não pode ser utilizada enquanto a piscina estiver ocupada!

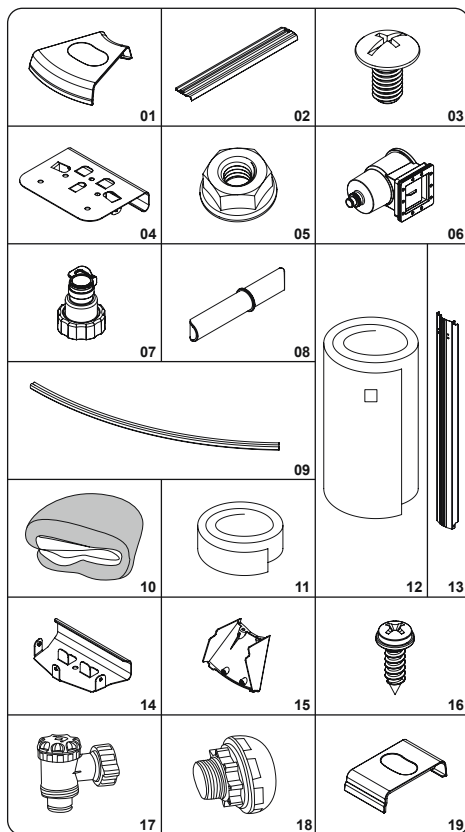
- Se tiver uma escada, consulte o manual da escada para obter instruções.

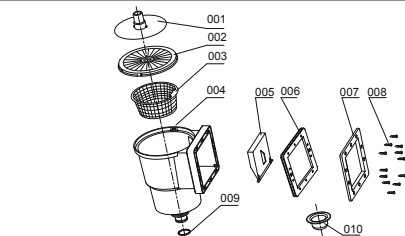
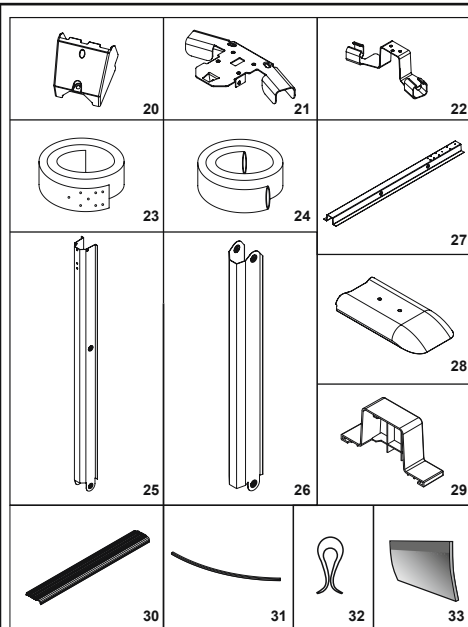
**ATENÇÃO!** A utilização de uma piscina implica o cumprimento das instruções de segurança descritas no guia de funcionamento e manutenção. Para prevenir afogamentos ou outros ferimentos graves, preste especial atenção à possibilidade das crianças com idade inferior a 5 anos acederem à piscina de forma inesperada, através da protecção do acesso à mesma, e mantendo-as sob supervisão constante de um adulto durante o período de banhos.

**NOTA:** Quando instalar a piscina, a posição do skimmer deve ser oposta à direcção principal do vento. A colocação da escada na piscina deve ser afastada do skimmer.

**Por favor leia cuidadosamente e reserve para referência futura**

### Referência de Peças





#### LISTA DE PEÇAS DO SKIMMER

Nº	Nome	Quantidade	N.º da Peça Sobresselente
001	União da mangueira	1	P6774ASS16
002	Cobertura	1	P6991ASS16
003	Cesto	1	P6776ASS16
004	Skimmer	1	P6777ASS16
005	Represa	1	P6992ASS16
006	Vedante	1	P6993ASS16
007	Placa frontal	1	P6780ASS16
008	Parafuso M5x22	12	/
009	O-ring	1	/
010	Tampão	1	P6813ASS16

#### Ferramentas Necessárias (não incluídas):



A instalação demora normalmente cerca de 3 horas com 2-3 pessoas excluindo trabalhos de remoção de solos e enchimento.

Nº	Nome	Material	56586/56587		56369/56370	
			5,00 m x 3,60 m x 1,20 m (16'5" x 12' x 48")		6,10 m x 3,60 m x 1,20 m (20' x 12' x 48")	
			Qtd	N.º da Peça Sobresselente	Qty	N.º da Peça Sobresselente
1	Protector da junta superior	PP	8	P6743ASS16	8	P6743ASS16
2	Plataforma superior longa	Aço Revestido	10	P6745ASS16	6	P6745ASS16
3	Parafuso M6x11	Aço Inoxidável 304	170	P6746ASS16	214	P6746ASS16
4	Peça metálica superior	Aço	8	P6747ASS16	8	P6747ASS16
5	Porca M6	Aço Inoxidável 304	52	P6748ASS16	74	P6748ASS16
6	Skimmer		1	P6762ASS16	1	P6762ASS16
7	Adaptador de mangueira		2	F6H202ASS16	2	F6H202ASS16
8	Conector do corrimão	PP	32	P6990ASS16	32	P6990ASS16
9	Corrimão Longo	PVC	20	P61236ASS16	12	P61237ASS16
10	Forro	PVC	1	56286ASS18	1	56369ASS18
11	Fita auto-adesiva 3M		1	P6756ASS16	1	P6756ASS16
12	Parede de aço	Aço Revestido	1	P61447ASS17	1	P61448ASS17
13	Suporte vertical da piscina	Aço Revestido	8	P6757ASS16	8	P6757ASS16
14	Peça metálica inferior	Aço	8	P6761ASS16	8	P6761ASS16
15	Protector da junta inferior	PP	8	P6759ASS16	8	P6759ASS16
16	Parafuso ST4x14	Aço Inoxidável 304	22	P61491ASS17	28	P61491ASS17
17	Válvula de Controle		1	P6(H2)510ASS18	1	P6(H2)510ASS18
18	Filtro de Entrada da Piscina		1	P6(H2)1317ASS18	1	P6(H2)1317ASS18
19	Junta superior lateral	PP	2	P6800ASS16	4	P6800ASS16
20	Junta inferior lateral	PP	2	P6801ASS16	4	P6801ASS16
21	Peça metálica superior lateral	Aço	2	P6802ASS16	4	P6802ASS16
22	Peça metálica inferior lateral	Aço	2	P6826ASS16	4	P6826ASS16
23	Cinta de aço	Aço	1	P6810ASS16	2	P6810ASS16
24	Cobertura da cinta de aço	PVC	1	P6811ASS16	2	P6811ASS16
25	Suporte vertical lateral	Aço Revestido	2	P61249ASS16	4	P61249ASS16
26	Suporte oblíquo lateral	Aço Revestido	2	P61250ASS16	4	P61250ASS16
27	Suporte inferior lateral	Aço	2	P6827ASS16	4	P6827ASS16
28	Protector inferior interior	PP	2	P6828ASS16	4	P6828ASS16
29	Protector inferior lateral	PP	2	P61251ASS16	4	P61251ASS16
30	Plataforma superior curta	Aço Revestido	/	/	6	P61234ASS16
31	Corrimão Curto	PVC	/	/	12	P61238ASS16
32	Molas	Plástico	20	/	20	/
33	Protector de espuma	EPE	8	P61473ASS16	8	P61473ASS16

## SELECÇÃO DE UMA LOCALIZAÇÃO ADEQUADA

### ATENÇÃO: A nivelção é extremamente importante.

Selecione cuidadosamente a localização para a sua nova piscina. Esta decisão é a mais importante que terá de tomar para garantir a segurança e o sucesso da construção da sua piscina. Uma localização incorrecta pode causar problemas futuros que podem provocar ferimentos, morte ou perdas financeiras. Leia cuidadosamente a lista de verificação abaixo quando seleccionar o local de instalação da sua piscina.

#### Aceitável:

Terreno plano, nivelado, firme e seco com acesso fácil de todos os lados da piscina  
Exposto a luz solar directa, de preferência de manhã  
Acesso seguro a electricidade para operar a bomba do filtro e outros acessórios da piscina  
Acesso fácil a uma fonte de água  
Protecção do vento

#### Não aceitável:

Terreno inclinado, desnivelado  
Solo arenoso, rochoso ou pantanoso  
Proximidade a construções em madeira (ex. pérgolas e pátios)  
Junto a árvores  
Existência de cabos superiores e linhas de secar roupa  
Drenos, fios eléctricos ou tubagens de gás por baixo do local de instalação  
Fraca ou pouca drenagem  
Localizações com elevado risco de inundação  
Condições de vento forte

**NOTA:** Remova o terreno mais elevado em vez de encher o terreno mais baixo. Toda a relva por baixo de toda a área da piscina deve ser removida.

## MONTAGEM DA PISCINA

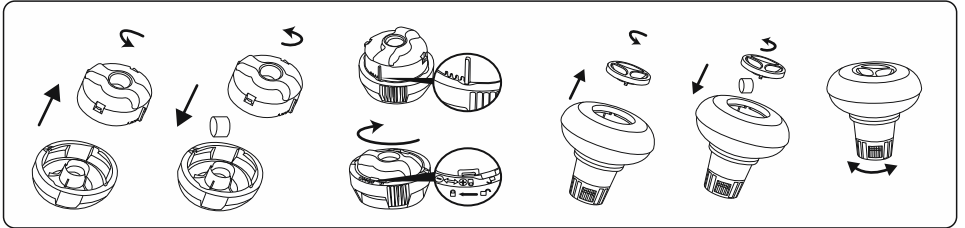
Por favor consulte os passos contidos no diagrama.

## MANUTENÇÃO DA PISCINA

Se você não cumprir as diretrizes de manutenção detalhadas abaixo, sua saúde pode estar em risco, especialmente a de seus filhos.

### Uso de comprimidos químicos (não incluídos):

**NOTA:** O Chemconnect ou o Chemical Floater devem ser usados ao realizar manutenção química com os comprimidos. O item adquirido pode não incluir nenhum desses dispensadores; nesse caso, você pode comprá-lo visitando nosso site [www.bestwaycorp.com](http://www.bestwaycorp.com) ou o distribuidor de piscina mais próximo.



**IMPORTANTE:** Não use comprimidos granulados ou jogue-o diretamente na água. Os produtos químicos podem assentar no fundo, danificar o material e descolorir o PVC.

### Uso de líquido químico (não incluído):

**IMPORTANTE:** Adicione líquido químico em pequenas doses e no centro da piscina para evitar o contato direto entre os produtos químicos e a superfície do PVC. O contato direto pode danificar o material e descolorir a superfície.

**NOTA:** Remova o distribuidor de produtos químicos da piscina quando a piscina estiver em uso.

**IMPORTANTE:** Após realizar a manutenção química e antes de usar a piscina, use um kit de teste (não incluído) para testar a química da água. Recomendamos manter a água de acordo com a tabela a seguir.

Parâmetros	Valores
Clareza da água	Visão clara do fundo da piscina
Cor de água	A cor não deve ser observada
Turvação em UNF / NTU	máx. 1,5 (preferencialmente menor que 0,5)
Concentração de nitrato superior à água em mg / l	max. 20
Carbono orgânico total (TOC) em mg / l	max. 4,0
Potencial redox contra Ag / AgCl 3,5 m KCl em mV	min. 650
Valor de pH	de 6,8 a 7,6
Cloro ativo livre (sem ácido cianúrico) em mg / l	de 0,3 a 1,5
Cloro livre usado em combinação com ácido cianúrico em mg / l	de 1,0 a 3,0
Ácido cianúrico em mg / l	max. 100
Cloro combinado em mg / l	máx. 0,5 (de preferência perto de 0,0 mg / l)

**NOTA:** Danos resultantes de desequilíbrio químico não são cobertos pela garantia. Os produtos químicos da piscina são potencialmente tóxicos e devem ser manuseados com cuidado. Existem sérios riscos para a saúde causados por vapores químicos e rotulagem e armazenamento inadequados de recipientes químicos. Consulte o seu distribuidor local de suprimentos para piscinas para obter mais informações sobre manutenção química. Preste muita atenção às instruções do fabricante de produtos químicos. A garantia não cobre danos causados pelo uso inadequado de produtos químicos e manuseio inadequado da água da piscina.

**IMPORTANTE:** O uso excessivo de produtos químicos pode descolorir a impressão e todos os pontos do material da piscina. Também pode danificar a estrutura do revestimento da piscina.

### Para manter sua piscina limpa:

1. Entre em contato com a loja de suprimentos da piscina local para obter orientação e comprar produtos químicos e kits de pH. Um dos fatores mais importantes para aumentar a vida útil do revestimento é manter a água limpa e saudável continuamente. Siga rigorosamente as instruções de técnicos profissionais para tratamento de água usando produtos químicos.
2. Coloque um balde de água ao lado da piscina para limpar os pés dos usuários antes de entrar na piscina.
3. Cubra a piscina quando não estiver em uso.
4. Limpe a piscina regularmente para evitar acúmulo de sujeira.
5. Verifique e lave o cartucho do filtro regularmente.
6. Limpe cuidadosamente qualquer escória de baixo do anel superior com um pano limpo.
7. Tenha cuidado em caso de chuva, verifique se o nível da água não está acima do esperado. Nesse caso, você DEVE baixar o excesso de água.
8. Se chover, verifique se o nível da água não excede o nível especificado. Se a água exceder os níveis especificados, drene a piscina para o nível especificado.

### A manutenção adequada pode maximizar a vida útil da sua piscina.

Durante a estação de uso da piscina, o sistema de filtragem deve necessariamente ser colocado em serviço todos os dias, tempo suficiente para garantir pelo menos uma renovação completa do volume de água.

**NOTA:** A bomba é usada para circular a água e filtrar pequenas partículas. Para manter a água da piscina limpa e higiênica, você também deve adicionar produtos químicos.

### Reparação

Em caso de vazamento, repare sua piscina usando o adesivo adesivo subaquático fornecido. Você pode encontrar as instruções em Perguntas frequentes na seção de suporte do nosso site, [www.bestwaycorp.com](http://www.bestwaycorp.com).

### Conservação

1. Por favor remova todos os acessórios e peças sobresselentes da piscina e armazene-as limpas e secas.
2. Armazene o forro e os acessórios num local seco com uma temperatura moderada entre 5°C / 41°F e 38°C / 100°F.
3. Durante a estação das chuvas, a piscina e os acessórios também devem ser armazenados consoante as instruções acima.
4. A drenagem inadequada da piscina pode causar ferimentos pessoais graves e/ou danos a propriedade.
5. Recomendamos fortemente que a piscina seja desmontada fora da estação (meses de inverno). Armazene num local seco fora do alcance das crianças.

Caso não pretenda desmontar a piscina no inverno, respeite as seguintes instruções:

**IMPORTANTE:** Não drene toda a água da piscina. Se o fizer, a piscina poderá ser danificada por vento forte. Drene a água até 10cm abaixo da válvula de entrada na parede da piscina.

1. Drene a água até 10cm abaixo da válvula de entrada na parede da piscina. Pode utilizar uma bomba ou uma mangueira de jardim (Diagrama 28,29).
2. Trate a água da piscina com um produto químico adequado.
3. Remova o sistema de filtração da piscina. Pode deixar as admissões/saídas ligadas à piscina.
4. Remova também qualquer acessório de piscina e armazene-os num local seco e fresco.
5. Proteja a piscina com a cobertura da piscina.

Se pretende desmontar a piscina no Inverno, por favor respeite as instruções seguintes:

1. Drene a piscina com uma mangueira de jardim ou utilize uma bomba de drenagem para esvaziar a piscina (Diagrama 28).
2. Limpe cada componente da piscina com uma esponja e um sabonete de pH neutro. Seque-os e armazene-os num local seco e limpo.





**PISCINAS OVALADAS HYDRIMUM™ MANUAL DE INSTRUCCIONES**

Visite el canal de YouTube de Bestway **YouTube**

**⚠ ADVERTENCIA**

Lea atentamente, comprenda y siga toda la información contenida en este manual antes de instalar y utilizar la piscina. Estas advertencias, instrucciones y normas de seguridad abordan algunos de los riesgos más comunes relacionados con el ocio acuático, pero no cubren todos los riesgos y peligros en cualquier caso. Sea siempre prudente y utilice el sentido común y el buen juicio cuando disfrute de cualquier actividad acuática. Conserve esta información para un uso futuro.

**Seguridad de los no nadadores**

- Los nadadores principiantes y los no nadadores requieren de la supervisión continua, activa y atenta de un adulto competente en todo momento (recuerde que los menores de cinco años cuentan con el mayor riesgo de ahogamiento).
- Asigne a un adulto competente la tarea de supervisar la piscina cada vez que esta esté en uso.
- Los nadadores principiantes o los no nadadores deben llevar un equipo de protección personal cuando utilicen la piscina.
- Cuando no se esté utilizando la piscina, o no cuente con supervisión, retire todos los juguetes de ella y de sus alrededores para que no atraigan a los niños.

**Dispositivos de seguridad**

- Para prevenir el ahogamiento infantil, se recomienda asegurar el acceso a la piscina con algún dispositivo de seguridad. Para prevenir que los niños suban sobre las válvulas de entrada y de salida, se recomienda instalar una barrera (y asegurar todas las puertas y ventanas, donde sea necesario) para prevenir el acceso no autorizado a la piscina.
- Las barreras, cubiertas de piscina, alarmas de piscina o dispositivos de seguridad similares son ayudas útiles, pero no sustituyen la supervisión competente y constante de un adulto.

**Equipos de seguridad**

- Se recomienda tener los equipos de rescate (ej.: salvavidas) cerca de la piscina.
- Tenga un teléfono activo y una lista de números de emergencia cerca de la piscina.

**Uso seguro de la piscina**

- Anime a todos los usuarios, y especialmente a los niños, a aprender a nadar.
- Aprenda métodos de reanimación básica (reanimación cardiopulmonar - RCP) y repase este conocimiento regularmente. Esto puede marcar la diferencia en caso de emergencia.
- Enseñe a todos los usuarios de la piscina, niños incluidos, qué hacer en caso de emergencia.
- No se zambulla en aguas poco profundas. Esto podría causar graves daños o incluso muerte.
- No utilice la piscina cuando se encuentre bajo los efectos del alcohol o de medicamentos que puedan afectar a su capacidad de usar la piscina de manera segura.
- Cuando se utilizan las cubiertas de piscina, retírelas completamente de la superficie del agua antes de entrar en la piscina.
- Proteja a los usuarios de la piscina de enfermedades manteniendo el tratamiento del agua de la piscina y practicando buenos hábitos higiénicos. Consulte las directrices para el tratamiento del agua en el manual del usuario.
- Almacene los productos químicos (ej.: tratamientos para el agua, productos de limpieza o desinfección) fuera del alcance de los niños.



- Utilice la señalización como se especifica más abajo. La señalización se debe colocar en una posición visible y destacada dentro de un radio de 2 metros de la piscina.
- Supervise a los niños en el entorno acuático. Prohibido tirarse de cabeza.
- Las escaleras extraíbles deben colocarse sobre una superficie horizontal.
- Independientemente del material utilizado para la construcción de la piscina, las superficies accesibles deben comprobarse regularmente para evitar lesiones.
- Compruebe regularmente los tornillos y tuercas; retire las astillas o cualquier borde afilado para evitar lesiones.

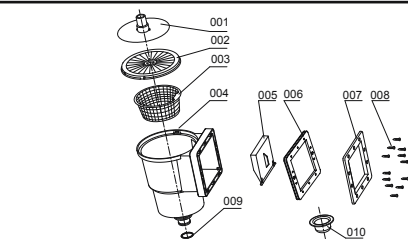
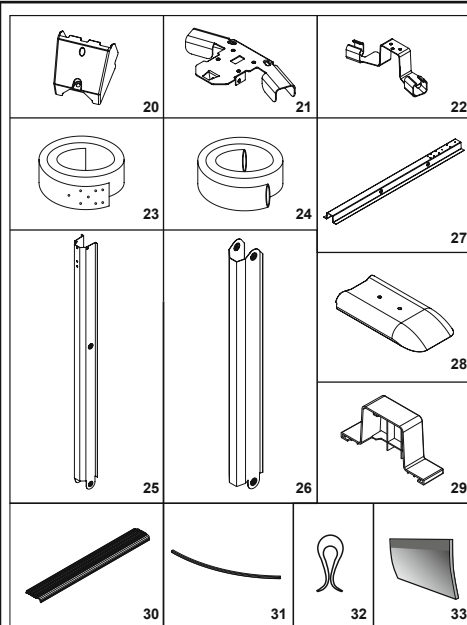
- **ATENCIÓN:** No deje la piscina vacía en el exterior. La piscina vacía podría deformarse y/o desplazarse debido al viento.
- Si cuenta con una bomba de filtrado, consulte el manual de instrucciones de la bomba.
- **¡ADVERTENCIA!** La bomba no se puede poner en marcha mientras haya personas en el interior de la piscina.
- Si tiene una escalera, consulte su correspondiente manual para las instrucciones.

**¡ADVERTENCIA!** El uso de una piscina implica el cumplimiento de las instrucciones de seguridad descritas en el manual de uso y mantenimiento. Para evitar ahogamiento y otras lesiones graves, preste una especial atención a la posibilidad de acceso inesperado a la piscina de niños de menos de 5 años, tomando las medidas de seguridad necesarias y, durante el período del baño, téngales bajo la vigilancia constante de un adulto.

**NOTA:** Cuando instale la piscina, la posición del recogehojas debe ser opuesta a la dirección del viento. La escalera debe colocarse lejos del recogehojas.

**Lea atentamente y conserve para consultas futuras**

**Referencias de piezas**

#### LISTA DE PARTES DEL RECOGEHOJAS

Nº	Nombre	Cantidad	Nº de pieza de repuesto
001	Empalme de manguera	1	P6774ASS16
002	Tapa	1	P6991ASS16
003	Cesta	1	P6776ASS16
004	Recogehojas	1	P6777ASS16
005	Rebosadero	1	P6992ASS16
006	Junta	1	P6993ASS16
007	Pantalla	1	P6780ASS16
008	Tornillo M5x22	12	/
009	Junta tórica	1	/
010	Tapón	1	P6813ASS16

#### Ferramentas Necessárias (não incluídas):



A instalação demora normalmente cerca de 3 horas com 2-3 pessoas excluindo trabalhos de remoção de solos e enchimento.

Nº	Nombre	Material	56586:56587		56369:56370	
			5.00 m x 3.60 m x 1.20 m (16'5" x 12' x 48")		6.10 m x 3.60 m x 1.20 m (20' x 12' x 48")	
			Cant.	Nº de pieza de repuesto	Cant.	Nº de pieza de repuesto
1	Protector de junta superior	PP	8	P6743ASS16	8	P6743ASS16
2	Plataforma superior larga	Acero revestido	10	P6745ASS16	6	P6745ASS16
3	Perno M6x11	Acero inoxidable 304	170	P6746ASS16	214	P6746ASS16
4	Pieza de metal superior	Acero	8	P6747ASS16	8	P6747ASS16
5	Tuerca M6	Acero inoxidable 304	52	P6748ASS16	74	P6748ASS16
6	Recogehojas		1	P6762ASS16	1	P6762ASS16
7	Adaptador de manguera		2	F6H202ASS16	2	F6H202ASS16
8	Conector de riel	PP	32	P6990ASS16	32	P6990ASS16
9	Riel largo	PVC	20	P61236ASS16	12	P61237ASS16
10	Revestimiento	PVC	1	56286ASS18	1	56369ASS18
11	Cinta autoadhesiva 3M		1	P6756ASS16	1	P6756ASS16
12	Pared de acero	Acero revestido	1	P61447ASS17	1	P61448ASS17
13	Soporte vertical de piscina	Acero revestido	8	P6757ASS16	8	P6757ASS16
14	Pieza de metal inferior	Acero	8	P6761ASS16	8	P6761ASS16
15	Protector de junta inferior	PP	8	P6759ASS16	8	P6759ASS16
16	Tornillo ST4x14	Acero inoxidable 304	22	P61491ASS17	28	P61491ASS17
17	Válvula de control (Control Valve)		1	P6(H2)510ASS18	1	P6(H2)510ASS18
18	Tamiz de entrada de la piscina		1	P6(H2)1317ASS18	1	P6(H2)1317ASS18
19	Junta parte superior	PP	2	P6800ASS16	4	P6800ASS16
20	Junta parte inferior	PP	2	P6801ASS16	4	P6801ASS16
21	Placa metálica superior	Acero	2	P6802ASS16	4	P6802ASS16
22	Placa metálica inferior	Acero	2	P6826ASS16	4	P6826ASS16
23	Banda de acero	Acero	1	P6810ASS16	2	P6810ASS16
24	Recubrimiento de la banda de acero	PVC	1	P6811ASS16	2	P6811ASS16
25	Columna vertical	Acero revestido	2	P61249ASS16	4	P61249ASS16
26	Contrafuerte	Acero revestido	2	P61250ASS16	4	P61250ASS16
27	Tensor de la base	Acero	2	P6827ASS16	4	P6827ASS16
28	Protector interior inferior	PP	2	P6828ASS16	4	P6828ASS16
29	Protector inferior	PP	2	P61251ASS16	4	P61251ASS16
30	Plataforma superior corta	Acero revestido	/	/	6	P61234ASS16
31	Riel corto	PVC	/	/	12	P61238ASS16
32	Clips	Plástico	20	/	20	/
33	Protector de espuma	EPE	8	P61473ASS16	8	P61473ASS16

## ELECCIÓN DE UNA UBICACIÓN ADECUADA

### ADVERTENCIA: La nivelación es extremadamente importante.

Elija con cuidado el lugar para su nueva piscina. Esta será la decisión más importante que deberá tomar para garantizar la seguridad y el éxito de la construcción de su piscina. Un lugar de instalación inadecuado podría provocar problemas en el futuro, como lesiones, pérdidas financieras o incluso la muerte. Lea atentamente la lista de comprobación siguiente a la hora de elegir dónde colocar su piscina.

#### Aceptable:

Suelo llano, nivelado, firme y seco, con facilidad de acceso a todos los lados de la piscina.

Exposición a la luz solar directa, preferentemente por la mañana.

Acceso seguro a la electricidad para poner en marcha la bomba de filtrado y otros accesorios de la piscina.

Acceso fácil a una fuente de agua.

Protección del viento.

#### Inaceptable:

Terreno inclinado, desigual.

Terreno arenoso, con piedras o blando.

Cercanía con una estructura de madera, por ejemplo, pérgolas y terrazas.

Cercanía respecto a árboles.

Bajo toldales y tendidos de cableado.

Drenajes, cableado eléctrico o tuberías de gas bajo el lugar de instalación.

Drenaje insuficiente o inadecuado.

Ubicaciones con un elevado riesgo de inundación.

Condiciones de vientos fuertes.

**NOTA:** En lugar de rellenar, retire el exceso de tierra en aquellos lugares donde el suelo es más elevado. Debe retirarse toda la hierba y los terruños bajo la zona de instalación de la piscina.

## MONTAJE DE LA PISCINA

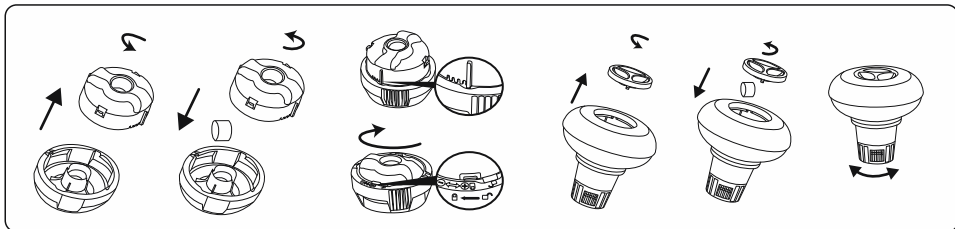
Consulte los pasos de las imágenes.

## MANTENIMIENTO DE PISCINA

Si no cumple con las pautas de mantenimiento detalladas a continuación, su salud podría estar en riesgo, especialmente la de sus hijos.

### Uso de tabletas químicas (no incluidas):

**NOTA:** Chemconnect o Chemical Floater deben usarse cuando realiza mantenimiento químico con tabletas. Su artículo comprado puede no incluir ninguno de esos dispensadores, en este caso puede comprarlo visitando nuestro sitio web [www.bestwaycorp.com](http://www.bestwaycorp.com) o en el distribuidor de piscinas más cercano.



**IMPORTANTE:** No use tabletas granuladas ni la arroje directamente al agua. Los productos químicos pueden depositarse en el fondo, dañar el material y decolorar el PVC.

### Uso de líquido químico (no incluido):

**IMPORTANTE:** Agregue líquido químico en pequeñas dosis y en el centro de la piscina para evitar el contacto directo entre los químicos y la superficie de PVC. El contacto directo puede dañar el material y decolorar la superficie.

**NOTA:** Retire el dispensador de químicos de la piscina cuando la piscina esté en uso.

**IMPORTANTE:** Después de realizar el mantenimiento químico y antes de usar la piscina, use un kit de prueba (no incluido) para probar la química del agua. Recomendamos mantener su agua de acuerdo con la siguiente tabla.

Parámetros	Valores
Claridad del agua	Vista clara del fondo de la piscina
Color del agua	No se debe observar color
Turbidez en FNU / NTU	max. 1,5 (preferiblemente menos de 0,5)
Concentración de nitrato superior a la del agua en mg / l	max. 20
Carbono orgánico total (TOC) en mg / l	max. 4,0
Potencial redox contra Ag / AgCl 3,5 m KCl en mV	min. 650
Valor de pH	de 6,8 a 7,6
Cloro activo libre (sin ácido cianúrico) en mg / l	de 0,3 a 1,5
Cloro libre usado en combinación con ácido cianúrico en mg / l	de 1,0 a 3,0
Ácido cianúrico en mg / l	max. 100
Cloro combinado en mg / l	max. 0,5 (preferiblemente cercano a 0,0 mg / l)

**NOTA:** El daño resultante del desequilibrio químico no está cubierto por la garantía. Los productos químicos para piscinas son potencialmente tóxicos y deben manejarse con cuidado. Existen graves riesgos para la salud por los vapores químicos y el etiquetado y almacenamiento incorrectos de los contenedores químicos. Consulte a su distribuidor local de suministros de piscinas para obtener más información sobre el mantenimiento químico. Preste mucha atención a las instrucciones del fabricante del químico. La garantía no cubre los daños causados por el uso indebido de productos químicos y el mal manejo del agua de la piscina.

**IMPORTANTE:** El uso excesivo de productos químicos puede decolorar la impresión y todos los puntos del material de la piscina. También puede dañar la estructura del revestimiento de la piscina.

### Para mantener su piscina limpia:

1. Póngase en contacto con su tienda local de suministros de piscinas para obtener asesoramiento y comprar productos químicos y kits de pH. Uno de los factores más importantes para aumentar la vida útil del revestimiento es mantener continuamente agua limpia y saludable. Siga estrictamente las instrucciones de técnicos profesionales para el tratamiento del agua mediante el uso de productos químicos.
2. Coloque un cubo de agua al lado de la piscina para limpiar los pies de los usuarios antes de entrar a la piscina.
3. Tape la piscina cuando no esté en uso.
4. Limpie la piscina regularmente para evitar la acumulación de suciedad.
5. Revise y lave el cartucho del filtro regularmente.
6. Limpie suavemente cualquier escoria de debajo del anillo superior con un paño limpio.
7. Tenga cuidado en caso de lluvia, verifique que el nivel del agua no sea superior al esperado. Si es así, **DEBE DESCARGAR EL EXCESO DE AGUA.**
8. Si llueve, verifique que el nivel del agua no sea superior al nivel especificado. Si el agua excede los niveles especificados, drene la piscina al nivel especificado.

### Un mantenimiento adecuado puede maximizar la vida útil de su piscina.

Durante la temporada de uso de la piscina, el sistema de filtración debe ponerse necesariamente en servicio todos los días, tiempo suficiente para asegurar al menos una renovación completa del volumen de agua.

**NOTA:** La bomba se usa para hacer circular el agua y para filtrar partículas pequeñas. Para mantener el agua de su piscina limpia e higiénica, también debe agregar productos químicos.

### Reparación

En el caso de una fuga, repare su piscina usando el parche de reparación adhesivo subacuático provisto. Puede encontrar las instrucciones en Preguntas frecuentes en la sección de soporte de nuestro sitio web, [www.bestwaycorp.com](http://www.bestwaycorp.com).

### Almacenamiento

1. Retire todos los accesorios y las piezas de repuesto de la piscina, guárdelos limpios y secos.
2. Guarde el revestimiento y los accesorios en un lugar seco con una temperatura moderada, entre 5°C / 41°F y 38°C / 100°F.
3. Durante la estación lluviosa, la piscina y los accesorios deben almacenarse siguiendo las instrucciones anteriores.
4. Un drenaje inadecuado de la piscina podría provocar lesiones personales graves y / o daños materiales.
5. Recomendamos encarecidamente desmontar la piscina fuera de temporada (los meses de invierno). Guárdelo en un lugar seco fuera del alcance de los niños.

Si no desea desmontar la piscina en invierno, siga las instrucciones siguientes:

**IMPORTANTE:** No vacíe la piscina por completo. De hacerlo, la piscina podría dañarse a causa de fuertes vientos. Vacíe la piscina hasta que el agua quede unos 10 cm por debajo de la válvula de entrada de la pared de la piscina.

1. Vacíe la piscina hasta que el agua quede unos 10 cm por debajo de la válvula de entrada de la pared de la piscina. Puede utilizar una bomba o una manguera de jardín (imagen 28.29).
2. Trate el agua de la piscina con un producto químico adecuado.
3. Retire el sistema de filtrado de la piscina. Puede dejar las tomas de entrada y salida conectadas a la piscina.
4. Retire también cualquier otro accesorio de la piscina y guárdelo en un lugar seco y fresco.
5. Coloque la cubierta protectora sobre la piscina.

Si desea desmontar la piscina en invierno, siga las instrucciones siguientes:

1. Vacíe la piscina con una manguera de jardín, o utilice una bomba de drenaje para vaciar la piscina (imagen 28).
2. Limpie todas las partes de la piscina con una esponja y jabón con pH neutro. Séquelas y guárdelas en un lugar limpio y seco.

# HYDRUM™ OVALE STAHLWANDPOOLS BENUTZERHANDBUCH

Besuchen Sie den YouTube-Kanal von Bestway 

## ⚠️ ACHTUNG

Vor dem Bau und der Benutzung des Schwimmbeckens werden sämtliche Informationen in dieser Anleitung sorgfältig gelesen, verstanden und befolgt. Diese Warnhinweise, Anleitungen und Sicherheitsrichtlinien umfassen einige allgemeine Risiken in Bezug auf Freizeitbeschäftigung im Wasser, sie können jedoch nicht sämtliche Risiken und Gefährdungen in allen Fällen behandeln. Bei jeglicher Aktivität im Wasser wird Vorsicht, gesunder Menschenverstand und gutes Urteilsvermögen walten gelassen. Diese Angaben werden für die spätere Nutzung aufbewahrt.

### Sicherheit von Nichtschwimmern

- Es ist jederzeit eine ständige, aktive und wachsame Beaufsichtigung schwacher Schwimmer und Nichtschwimmer durch eine sachkundige erwachsene Aufsichtsperson erforderlich (es wird daran erinnert, dass das größte Risiko des Ertrinkens bei Kindern unter 5 Jahren besteht).

- Es wird eine sachkundige erwachsene Person bestimmt, die das Becken überwacht, wenn es benutzt wird.
- Schwache Schwimmer oder Nichtschwimmer sollten persönliche Schutz-ausrüstung tragen, wenn sie ins Schwimmbecken gehen.
- Wenn das Schwimmbecken nicht benutzt oder überwacht wird, werden sämtliche Spielsachen aus dem Schwimmbecken und seiner Umgebung entfernt, um zu verhindern, dass Kinder davon angezogen werden.

### Sicherheitsvorrichtungen

- Um das Ertrinken von Kindern zu verhindern, wird empfohlen, den Zugang zum Schwimmbecken mit einer Schutz-einrichtung zu sichern. Um Kinder vom Klettern über das Einlass- und Auslassventil abzuhalten, Es wird empfohlen, eine Absperrung zu errichten (und sämtliche Türen und Fenster zu sichern, sofern zutreffend), um unberechtigten Zutritt zum Schwimmbecken zu vermeiden.
- Absperrungen, Beckenabdeckungen, Alarmanlagen oder ähnliche Sicherheitsvorrichtungen sind sinnvolle Hilfsmittel, ersetzen jedoch keine ständige und sachkundige Überwachung durch erwachsene Personen.

### Sicherheitsausrüstung

- Es wird empfohlen, Rettungs-ausrüstung (z. B. einen Rettungsring) in der Nähe des Beckens aufzubewahren.
- Ein funktionierendes Telefon und eine Liste von Notrufnummern werden in der Nähe des Schwimmbeckens aufbewahrt.

### Sichere Nutzung des Schwimmbeckens

- Sämtliche Nutzer, insbesondere Kinder, werden dazu ermuntert, schwimmen zu lernen.
- Erste Hilfe (Herz-Lungen-Wiederbelebung) erlernen und diese Kenntnisse regelmäßig auffrischen. Das kann bei einem Notfall einen lebensrettenden Unterschied ausmachen.
- Sämtliche Beckenbenutzer, einschließlich Kinder, anweisen, was in einem Notfall zu tun ist.
- Niemals in flaches Wasser springen. Das kann zu schweren Verletzungen oder zum Tode führen.
- Das Schwimmbecken nicht benutzen, wenn man unter dem Einfluss von Alkohol oder Medikamenten steht, welche die Fähigkeit zur sicheren Nutzung des Beckens beeinträchtigen können.
- Beckenabdeckungen vor dem Betreten des Schwimmbeckens vollständig von der Wasseroberfläche entfernen, wenn sie verwendet werden.
- Die Nutzer des Schwimmbeckens werden vor durch das Wasser verbreiteten Krankheiten geschützt, indem das Wasser stets aufbereitet und hygienisch unbedenklich gehalten wird. Die Richtlinien zur Wasseraufbereitung in der Gebrauchsanleitung werden zu Rate gezogen.
- Chemikalien (z. B. Produkte für die Wasseraufbereitung, Reinigung oder Desinfektion) außerhalb der Reichweite von Kindern aufbewahren.



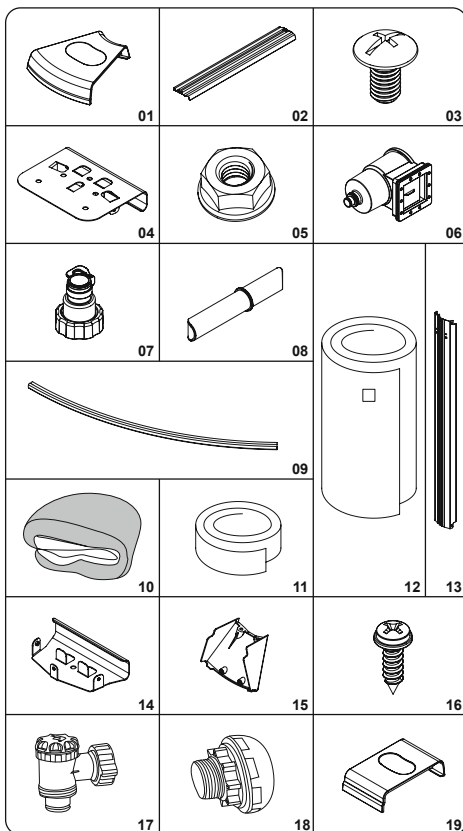
- Die nachstehenden Zeichen werden verwendet. Die Zeichen sind an einer gut sichtbaren Stelle innerhalb von 2 000 mm in der Nähe des Schwimmbeckens anzubringen.
- Beaufsichtigen Sie stets Kinder in Poolumgebung und in Wassernähe. Keine Tauchsprünge.
- Abnehmbare Leitern sind auf einer waagerechten Fläche anzuordnen.
- Zugängliche Flächen müssen regelmäßig überprüft werden, um Verletzungen zu vermeiden, unabhängig von den für den Bau des Schwimmbeckens verwendeten Materialien.
- Prüfen Sie regelmäßig Bolzen und Schrauben; entfernen Sie Späne, Spreißel sowie sämtliche scharfen Kanten, um Verletzungen zu vermeiden.
- **ACHTUNG:** Lassen Sie den entleerten Pool nicht im Freien. Der leere Pool neigt dazu, durch den Wind verformt und/oder verschoben zu werden.
- Wenn Sie über eine Filterpumpe verfügen, beachten Sie die Anweisungen des Filterpumpen-Handbuchs.
- **ACHTUNG!** Die Pumpe darf nicht betrieben werden, wenn sich Menschen im Pool aufhalten!
- Wenn Sie über eine Leiter verfügen, beachten Sie die Anweisungen des Leiter-Handbuchs.

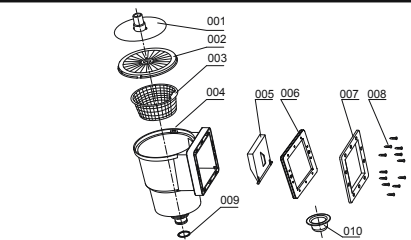
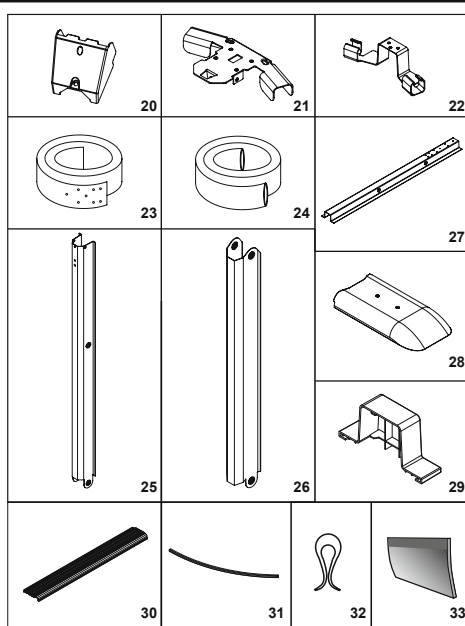
**ACHTUNG!** Die Nutzung eines Swimmingpools setzt die Einhaltung der im Betriebs- und Wartungshandbuch beschriebenen Sicherheitsanweisungen voraus. Um der Gefahr des Ertrinkens und anderer schwerer Unfälle vorzubeugen, achten sie besonders darauf, dass Kinder unter 5 Jahren den Pool nicht unerwartet betreten und sichern sie den Zugang entsprechend ab. Stellen Sie weiterhin während der Badezeiten eine konstante Beaufsichtigung der Kinder durch Erwachsene sicher.

**HINWEIS:** Bei der Installation des Pools sollte der Skimmer entgegen der Hauptwindrichtung positioniert werden. Die Platzierung der Leiter im Pool sollte vom Skimmer entfernt erfolgen.

**Bitte sorgfältig lesen und als künftige Referenz aufbewahren.**

## Teilereferenz





**TEILELISTE DES SKIMMERS**

Nr.	Bezeichnung	Anzahl	Ersatzteil-Nr.
001	Schlauchanschluss	1	P6774ASS16
002	Abdeckung	1	P6991ASS16
003	Korb	1	P6776ASS16
004	Skimmer	1	P6777ASS16
005	Überlaufklappe	1	P6992ASS16
006	Dichtung	1	P6993ASS16
007	Planscheibe	1	P6780ASS16
008	Schraube M5x22	12	/
009	O-Ring	1	/
010	Stopfen	1	P6813ASS16

**Erforderliche Werkzeuge (nicht enthalten):**



Für die Installation werden etwa 3 Stunden und 2-3 Personen benötigt, exklusive ggf. erforderlicher Bodenarbeiten und Befüllung.

Nr.	Bezeichnung	Material	56586;56587		56369;56370	
			5,00 m x 3,60 m x 1,20 m (16'5" x 12' x 48")		6,10 m x 3,60 m x 1,20 m (20' x 12' x 48")	
			Anz.	Ersatzteil-Nr.	Anz.	Ersatzteil-Nr.
1	Oberer Verbindungsschutz	PP	8	P6743ASS16	8	P6743ASS16
2	Lange obere Plattform	Beschichteter Stahl	10	P6745ASS16	6	P6745ASS16
3	Bolzen M6x11	Edelstahl 304	170	P6746ASS16	214	P6746ASS16
4	Oberes Metallteil	Stahl	8	P6747ASS16	8	P6747ASS16
5	Mutter M6	Edelstahl 304	52	P6748ASS16	74	P6748ASS16
6	Skimmer		1	P6762ASS16	1	P6762ASS16
7	Schlauchadapter		2	F6H202ASS16	2	F6H202ASS16
8	Schienenverbinder	PP	32	P6990ASS16	32	P6990ASS16
9	Lange Schiene	PVC	20	P61236ASS16	12	P61237ASS16
10	Innenverkleidung	PVC	1	56286ASS18	1	56369ASS18
11	3M Selbstklebendes Band		1	P6756ASS16	1	P6756ASS16
12	Stahlwand	Beschichteter Stahl	1	P61447ASS17	1	P61448ASS17
13	Vertikale Poolstütze	Beschichteter Stahl	8	P6757ASS16	8	P6757ASS16
14	Unteres Metallteil	Stahl	8	P6761ASS16	8	P6761ASS16
15	Unterer Verbindungsschutz	PP	8	P6759ASS16	8	P6759ASS16
16	Schraube ST4x13	Edelstahl 304	22	P61491ASS17	28	P61491ASS17
17	Regelventil		1	P6(H2)510ASS18	1	P6(H2)510ASS18
18	Poolinlass-Sieböffnung		1	P6(H2)1317ASS18	1	P6(H2)1317ASS18
19	Seitliche obere Verbindung	PP	2	P6800ASS16	4	P6800ASS16
20	Seitliche untere Verbindung	PP	2	P6801ASS16	4	P6801ASS16
21	Seitliches oberes Metallteil	Stahl	2	P6802ASS16	4	P6802ASS16
22	Seitliches unteres Metallteil	Stahl	2	P6826ASS16	4	P6826ASS16
23	Stahlband	Stahl	1	P6810ASS16	2	P6810ASS16
24	Stahlbandabdeckung	PVC	1	P6811ASS16	2	P6811ASS16
25	Seitliche vertikale Stütze	Beschichteter Stahl	2	P61249ASS16	4	P61249ASS16
26	Seitliche schräge Stütze	Beschichteter Stahl	2	P61250ASS16	4	P61250ASS16
27	Seitliche Bodenstütze	Stahl	2	P6827ASS16	4	P6827ASS16
28	Innerer Bodenschutz	PP	2	P6828ASS16	4	P6828ASS16
29	Seitlicher Bodenschutz	PP	2	P61251ASS16	4	P61251ASS16
30	Kurze obere Plattform	Beschichteter Stahl	/	/	6	P61234ASS16
31	Kurze Schiene	PVC	/	/	12	P61238ASS16
32	Klammern	Kunststoff	20	/	20	/
33	Schaumschutz	EPE	8	P61473ASS16	8	P61473ASS16

## AUSWÄHLEN EINES GEEIGNETEN STANDORTS

### WARNUNG: Das Ebnen ist äußerst wichtig.

Wählen Sie den Standort für Ihren neuen Pool sorgfältig aus. Dies ist die wichtigste Entscheidung, die Sie treffen müssen, um die Sicherheit und den Erfolg Ihrer Poolkonstruktion zu gewährleisten. Ein schlecht gewählter Standort kann zukünftige Probleme verursachen, die zu Verletzungen, Todesfällen oder finanziellen Schäden führen. Lesen Sie die nachstehende Checkliste sorgfältig durch, bevor Sie den Standort zum Aufbau Ihres Pools auswählen.

### Akzeptabel:

Flacher, ebener, fester und trockener Untergrund mit leichtem Zugang zu allen Seiten des Pools  
Direkter Sonneneinstrahlung ausgesetzt, vorzugsweise in den Morgenstunden  
Sicherer Zugang zu Elektrizität zum Betrieb der Filterpumpe sowie anderen Poolzubehörs  
Einfacher Zugang zu einer Wasserquelle  
Schutz vor Wind

### Inakzeptabel:

Unebener Untergrund  
Sandiger, felsiger oder morastiger Untergrund  
In der Nähe von Holzkonstruktionen (z. B. Pergolas und Terrassen)  
In der Nähe von Bäumen  
Oberleitungen und Wäscheleinen  
Abwasserleitungen, elektrische Leitungen oder Gasleitungen unterhalb des Standorts  
Unzureichende Drainagemöglichkeiten  
Überschwemmungsgefährdete Orte  
Starke Windeinflüsse

**HINWEIS:** Tragen Sie besser höheren Untergrund ab, anstatt niedriger liegenden Boden aufzufüllen. Sämtliches Gras und sonstige Vegetation im Aufstellbereich des Pools müssen entfernt werden.

## POOLAUFBAU

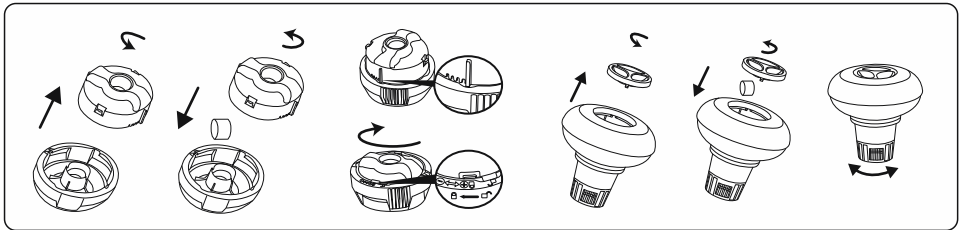
Bitte befolgen Sie die Schritte in den Abbildungen.

## POOLWARTUNG

Bei Nichtbeachtung der unten stehenden Wartungsanweisungen besteht Gefahr für Ihre Gesundheit, vor allem für die Ihrer Kinder.

### Einsatz von Chemikalien-Tabletten (nicht enthalten):

**BITTE BEACHTEN:** Warten Sie Ihren Pool mit Chemikalien in Tablettenform, verwenden Sie unbedingt einen Dosierschwimmer oder Chemconnect Chemikaliendosierer. Enthält der von Ihnen erworbene Artikel keinen solchen Dosierer, können Sie ihn über unsere Webseite [www.bestwaycorp.com](http://www.bestwaycorp.com) oder bei einem entsprechenden Fachhändler in Ihrer Nähe kaufen.



**WICHTIG:** Verwenden Sie keine Granulat-Tabletten und werfen Sie keine Tabletten direkt ins Wasser. Die Chemikalien können sich am Boden absetzen, das Material beschädigen und das PVC verfärben.

### Einsatz von Flüssigchemikalien (nicht enthalten):

**WICHTIG:** Geben Sie Flüssigchemikalien in kleinen Mengen in die Mitte des Pools, um den direkten Kontakt von Chemikalien und PVC-Oberfläche zu vermeiden. Direkter Kontakt kann das Material beschädigen und die Oberfläche verfärben.

**BITTE BEACHTEN:** Entfernen Sie den Chemikaliendosierer aus dem Pool, während Sie den Pool verwenden.

**WICHTIG:** Nach der Wartung des Pools mit Chemikalien verwenden Sie ein Testset (nicht enthalten), um die chemische Zusammensetzung des Wassers zu testen, bevor Sie den Pool verwenden. Wir empfehlen die Pflege Ihres Poolwassers entsprechend der folgenden Tabelle.

Parameter	Werte
Klarheit des Wassers	Klare Sicht auf den Poolboden
Farbe des Wassers	Es sollte keine Färbung erkennbar sein
Trübung in FNU/NTU	max. 1,5 (möglichst geringer als 0,5)
Nitratkonzentration über der des Füllwassers in mg/l	max. 20
Gesamter organischer Kohlenstoff (TOC) in mg/l	max. 4,0
Redoxpotential gegen Ag/AgCl 3,5 m KCl in mV	min. 650
pH-Wert	6,8 bis 7,6
Freies, aktives Chlor (ohne Cyanursäure) in mg/l	0,3 bis 1,5
Freies Chlor in Kombination mit Cyanursäure in mg/l	1,0 bis 3,0
Cyanursäure in mg/l	max. 100
Gebundenes Chlor in mg/l	max. 0,5 (möglichst nahe 0,0 mg/l)

**BITTE BEACHTEN:** Schäden aus chemischem Ungleichgewicht sind von der Garantie nicht abgedeckt. Poolchemikalien sind potenziell giftig und sind mit Sorgfalt zu behandeln. Chemische Dämpfe sowie fehlerhafte Beschriftung und Lagerung von Chemikalienbehältern stellen ernsthafte Risiken für die Gesundheit dar. Bitte erkundigen Sie sich bei Ihrem örtlichen Fachhändler nach weiteren Informationen zur Anwendung von Poolchemikalien. Beachten Sie die Anweisungen des Chemikalienherstellers genau. Schäden am Pool aus Missbrauch von Chemikalien und falscher Behandlung des Poolwassers sind von der Garantie nicht abgedeckt.

**WICHTIG:** Durch Überdosierung von Chemikalien können sich der Aufdruck und beliebige Stellen des Poolmaterials verfärben. Die Poolfolie kann auch strukturellen Schaden nehmen.

### So halten Sie Ihren Pool sauber:

1. Kontaktieren Sie Ihren örtlichen Fachhändler für Hinweise und den Kauf von Chemikalien und pH-Sets. Um die Langlebigkeit der Poolfolie zu gewährleisten, ist es besonders wichtig, das Wasser jederzeit in sauberem und gesundem Zustand zu halten. Bitte befolgen Sie die Anweisungen zur Wasserbehandlung mit Chemikalien der Fachleute genau.
2. Halten Sie einen Eimer mit Wasser am Poolrand zum Reinigen der Füße vor der Benutzung des Pools bereit.
3. Wenn Sie den Pool nicht verwenden, decken Sie ihn ab.
4. Schöpfen Sie die Oberfläche des Poolwassers in regelmäßigen Abständen ab, um Schmutzablagerungen zu vermeiden.
5. Überprüfen und reinigen Sie die Filterkartusche in regelmäßigen Abständen.
6. Entfernen Sie vorsichtig Schaumablagerungen unterhalb des oberen Rings mit einem sauberen Tuch.
7. Lassen Sie bitte bezüglich Regenwasser Vorsicht walten und stellen Sie sicher, dass der Wasserstand nicht zu hoch ist. Ist dies der Fall, LASSEN SIE ÜBERSCHÜSSIGES WASSER AB.
8. Stellen Sie bei Regen sicher, dass der Wasserstand nicht höher als angegeben ist. Überschreitet der Wasserstand die Maximalanzeige, lassen Sie das Wasser bis zum angegebenen Füllstand ab.

### Fachgerechte Wartung kann die Lebensdauer Ihres Pools verlängern.

Während der Poolsaison ist das Filtersystem täglich in Betrieb zu nehmen, und zwar so lange, bis das Poolwasser mindestens einmal zur Gänze erneuert ist.

**BITTE BEACHTEN:** Die Pumpe dient der Umwälzung des Wassers und dem Herausfiltern kleinerer Partikel. Damit das Poolwasser sauber und hygienisch einwandfrei bleibt, sind Chemikalien hinzuzufügen.

### Reparatur

Sollte ein Loch auftreten, reparieren Sie es mit dem mitgelieferten wasserfesten Reparaturflicken. Hinweise dazu entnehmen Sie den Fragen & Antworten auf unserer Webseite, [www.bestwaycorp.com](http://www.bestwaycorp.com).

### Lagerung

1. Entfernen Sie sämtliches Zubehör und alle Ersatzteile vom Pool und lagern Sie diese sauber und trocken.
2. Lagern Sie die Innenverkleidung und das Zubehör an einem trockenen Ort bei gemäßigten Temperaturen zwischen 5 °C / 41 °F und 38 °C / 100 °F.
3. Während der Regenzeit müssen der Pool sowie alle Zubehöerteile auch wie oben ausgeführt gelagert werden.
4. Eine unsachgemäße Entleeren des Pools kann zu ernsthaften Personen- und/oder Sachschäden führen.
5. Wir empfehlen dringend, den Pool außerhalb der Badesaison (während der Wintermonate) abzubauen. Lagern Sie ihn an einem trockenen Ort außerhalb der Reichweite von Kindern.

Wenn Sie den Pool im Winter nicht abbauen möchten, beachten Sie bitte die folgenden Anweisungen:

**WICHTIG:** Lassen Sie nicht das gesamte Poolwasser ab. Falls Sie dies dennoch tun, kann der Pool durch starken Wind beschädigt werden. Lassen Sie das Wasser bis zu einer Höhe von 10cm unterhalb des Einlassventils an der Poolwand ab.

1. Lassen Sie das Wasser bis zu einer Höhe von 10cm unterhalb des Einlassventils an der Poolwand ab. Sie können hierzu eine Pumpe oder einen Gartenschlauch verwenden (Abbildung 28, 29).
2. Behandeln Sie das Poolwasser mit einem geeigneten Chemieprodukt.
3. Entfernen Sie das Filtersystem vom Pool. Die am Pool befestigten Einlass- und Auslassanschlüsse können dort verbleiben.
4. Entfernen Sie jegliches weitere Poolzubehör und lagern Sie es an einem trockenen und kühlen Ort.
5. Schützen Sie den Pool mit der Poolabdeckung.


Wenn Sie den Pool im Winter abbauen möchten, beachten Sie bitte die folgenden Anweisungen:

1. Entleeren Sie den Pool mit einem Gartenschlauch oder verwenden Sie eine Drainagepumpe, um den Pool zu leeren (Abbildung 28).
2. Reinigen Sie alle Teile des Pools mit einem Schwamm und einer Seife mit neutralem pH-Wert. Trocknen Sie sie anschließend und bewahren Sie alles ordentlich an einem trockenen und sauberen Ort auf.



## OVAALIT HYDRIMUM™-ALTAAT KÄYTTÖOPAS



Käy katsomassa Bestwayn YouTube-kanavaa 

### VAROITUS

Lue huolellisesti, ymmärrä ja noudata kaikkia tämän käyttöoppaan tietoja ennen uima-altaan asennusta ja käyttöä. Nämä varoitukset, ohjeet ja turvallisuusohjeet koskevat yleisiä vedessä virkistämisen riskejä, mutta ne eivät pysty kattamaan kaikkia riskejä ja vaaroja kaikissa tapauksissa. Ole aina varovainen, käytä tervettä järkeä ja hyvää arvostelukykyä, kun olet vedessä. Säilytä nämä tiedot myöhemmä käyttöä varten.

### Uimataidottomien turvallisuus

- Jatkuva, aktiivinen ja tarkkaavainen heikkojen uimareiden tai uimataidottomien valvonta pätevä aikuisen toimesta vaaditaan kaikkina aikoina (muistaen, että alle 5-vuotiaat lapset ovat suurimmassa hukkumisvaarassa).
- Määrää pätevä aikuinen valvomaan altaasta joka kerta, kun sitä käytetään.
- Heikkojen uimareiden tai uimataidottomien tulisi käyttää henkilönsuojalaitteita altaassa.
- Kun allas ei ole käytössä tai se on varjioimaton, poista kaikki lelut altaasta ja sen ympäristöstä, jotta lapsilla ei olisi houkutusta mennä altaalle.

### Turvallitteet

- Jotta lapsia estettäisiin hukkumasta, suosittelemme sulkemaan pääsyn altaalle suojalaitteella. Jotta lapsia estettäisiin kiipeämästä sisään- ja ulostuloventtiiliin, suosittelemme asentamaan esteen (ja lukitsemaan kaikki ovet ja ikkunat, kun sovellettavissa) luvuttoman pääsyn estämiseksi altaaseen.
- Reunat, allaspeitteet, allashälyttimet tai vastaavat turvallitteet ovat hyödyllisiä apuvälineitä, mutta ne eivät korvaa jatkuvaa ja pätevää aikuisen valvontaa.

### Turvallitteisto

- Suosittelemme säilyttämään pelastuslaitteistoa (esim. pelastusrenkas) altaalla.
- Pidä toimiva puhelin ja luettelo hätäpuhelinnumeroista lähellä altaasta.

### Altaan turvallinen käyttö

- Kannusta kaikkia käyttäjiä, erityisesti lapsia opettelemaan uimaan.
- Opi perusensiappu (paineluevlytys) ja päivitä tätä osaamista säännöllisesti. Tämä voi pelastaa elämän hätätilanteessa.
- Ohjeista kaikkia altaan käyttäjiä, lapset mukaan lukien, mitä tehdä hätätilanteessa.
- Älä koskaan sukella altaan matalaan osaan. Tämä voi aiheuttaa vakavan vamman tai kuoleman.
- Älä käytä uima-altaasta, kun käytät alkoholia tai lääkitystä, jotka voivat heikentää kykyäsi käyttää altaasta turvallisesti.
- Kun allaspeitteitä käytetään, poista ne kokonaan altaan pinnalta ennen altaaseen menoa.
- Suojaa altaan käyttäjiä veteen liittyviltä sairauksilta pitämällä altaan vesi käsiteltyä ja noudattamalla hyviä hygieniakäytäntöjä. Katso vedenkäsitelyohjeita käyttöoppaasta.
- Säilytä kemikaalit (esim. vedenkäsitely-, puhdistus- tai desinfiointiuotteet) poissa lasten ulottuvilta.
- Käytä alla esitettyjä opasteita. Opasteet on sijoitettava näkyvälle paikalle enintään 2 m altaasta.
- Älä jätä lapsia ilman valvontaa, kun lähistöllä on vettä. Ei sukeltamista.

- Irotettavat tikkaat on sijoitettava tasaiselle pinnalle.
- Riippumatta altaan rakentamiseen käytetyistä materiaaleista, käytettävissä olevat pinnat on tarkastettava säännöllisesti vammojen välttämiseksi.
- Tarkasta pultit ja ruuvit säännöllisesti. Poista tikut tai muut terävät reunat vammojen välttämiseksi.

- **HUOMIO:** Älä jätä tyhjennettyä allasta ulos. Tyhjä altaan muoto voi vääristyä ja/tai allas voi siirtyä paikaltaan tuulen vuoksi.
- Jos suodatinpumppu asennetaan, noudata pumpun ohjekirjan ohjeita.

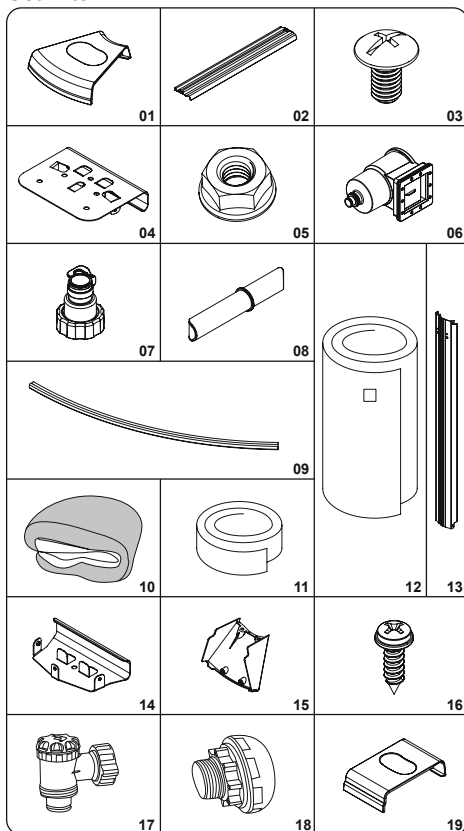
- **VAROITUS!** Pumpua ei saa käyttää, kun altaassa on ihmisiä!
- Jos tikkaat asennetaan, noudata tikkaiden ohjekirjan ohjeita.

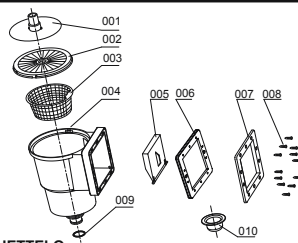
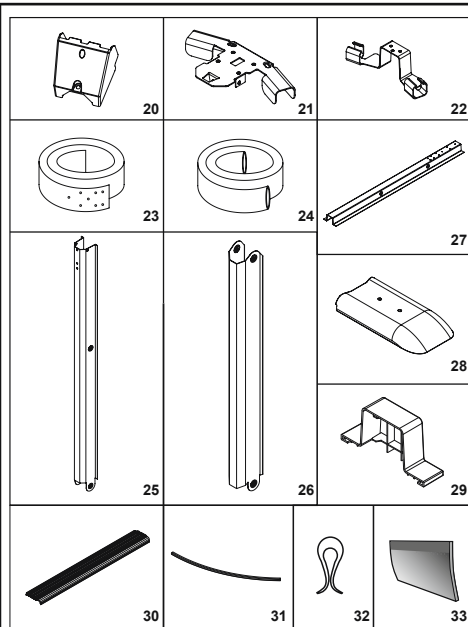
**VAROITUS!** Uima-altaan käyttö viittaa käyttö- ja huolto-opaassa kuvattujen turvallisuusohjeiden noudattamiseen. Hukkumisen tai muiden vakavien vammojen estämiseksi kiinnitä erityistä huomiota alle 5-vuotiaiden lasten odottamattomaan pääsyyn altaalle lukitsemalla pääsy sille, ja uinnin aikana pätevä aikuisen on valvottava heitä jatkuvasti.

**HUOMAA:** Uima-altaasta asennettaessa skimmerin asento tulisi olla tuulen pääsääntöisen suunnan vastaisesti. Tikkaat tulisi asettaa altaaseen skimmeristä pois päin.

**Lue nämä tiedot huolellisesti ja säilytä mahdollista tulevaa tarvetta varten**

### Osaviite





#### KUORIJAN OSALUETTELO

Nro	Nimi	Määrä	Varaosnro
001	Letkun kiinnitys	1	P6774ASS16
002	Suojus	1	P6991ASS16
003	Kori	1	P6776ASS16
004	Kuorija	1	P6777ASS16
005	Sulku	1	P6992ASS16
006	Tiiviste	1	P6993ASS16
007	Etulevy	1	P6780ASS16
008	M5x22-ruuvi	12	/
009	O-rengas	1	/
010	Tulppa	1	P6813ASS16

#### Tarvittavat työkalut (ei toimiteta mukana):



Asennus kestää yleensä noin 3 tuntia, kun asennuksessa on mukana 2-3 henkilöä. Aikaan ei lueta mukaan uima-altaan sijoituspaikan maan käsittelyä ja altaan täyttämistä.

Nro	Nimi	Materiaali	56586:56587		56369:56370	
			5.00 m x 3.60 m x 1.20 m (16'5" x 12' x 48")		6.10 m x 3.60 m x 1.20 m (20' x 12' x 48")	
			Kpl	Varaosnro	Kpl	Varaosnro
1	Ylemmän liitoksen suojus	PP	8	P6743ASS16	8	P6743ASS16
2	Pitkä yläalusta	Pinnoitettu teräs	10	P6745ASS16	6	P6745ASS16
3	M6x11-pultti	Ruostumaton teräs 304	170	P6746ASS16	214	P6746ASS16
4	Ylempi metalliosa	Teräs	8	P6747ASS16	8	P6747ASS16
5	M6-mutteri	Ruostumaton teräs 304	52	P6748ASS16	74	P6748ASS16
6	Kuorija		1	P6762ASS16	1	P6762ASS16
7	Letkun sovitin		2	F6H202ASS16	2	F6H202ASS16
8	Kiskoliitin	PP	32	P6990ASS16	32	P6990ASS16
9	Pitkä kisko	PVC	20	P61236ASS16	12	P61237ASS16
10	Allasmuovi	PVC	1	56286ASS18	1	56369ASS18
11	Itsestäänkiinnittyvä 3M-teippi		1	P6756ASS16	1	P6756ASS16
12	Teräseinä	Pinnoitettu teräs	1	P61447ASS17	1	P61448ASS17
13	Altaan pystytuki	Pinnoitettu teräs	8	P6757ASS16	8	P6757ASS16
14	Pohjan metalliosa	Teräs	8	P6761ASS16	8	P6761ASS16
15	Alemman liitoksen suojus	PP	8	P6759ASS16	8	P6759ASS16
16	ST4x14-ruuvi	Ruostumaton teräs 304	22	P61491ASS17	28	P61491ASS17
17	Ohjausventtiili		1	P6(H2)510ASS18	1	P6(H2)510ASS18
18	Altaan imusiivili		1	P6(H2)1317ASS18	1	P6(H2)1317ASS18
19	Sivun yläliitos	PP	2	P6800ASS16	4	P6800ASS16
20	Sivun alaliitos	PP	2	P6801ASS16	4	P6801ASS16
21	Sivun ylämetalliosa	Teräs	2	P6802ASS16	4	P6802ASS16
22	Sivun alametalliosa	Teräs	2	P6826ASS16	4	P6826ASS16
23	Teräsvyö	Teräs	1	P6810ASS16	2	P6810ASS16
24	Teräsvyön suoja	PVC	1	P6811ASS16	2	P6811ASS16
25	Sivun pystytuki	Pinnoitettu teräs	2	P61249ASS16	4	P61249ASS16
26	Sivun vinotuki	Pinnoitettu teräs	2	P61250ASS16	4	P61250ASS16
27	Sivun pohjatuki	Teräs	2	P6827ASS16	4	P6827ASS16
28	Sisäpuolen pohjan suoja	PP	2	P6828ASS16	4	P6828ASS16
29	Sivun pohjasuoja	PP	2	P61251ASS16	4	P61251ASS16
30	Lyhyt yläalusta	Pinnoitettu teräs	/	/	6	P61234ASS16
31	Lyhyt kisko	PVC	/	/	12	P61238ASS16
32	Kiinnittimet	Muovi	20	/	20	/
33	Solumuovi	EPE	8	P61473ASS16	8	P61473ASS16

## SOPIVAN SIJAINNIN VALINTA

### **VAROITUS: Tasoittaminen on äärimmäisen tärkeää.**

Valitse uuden altaasi sijainti huolellisesti. Tämä on kaikkein tärkein päätös, joka sinun on tehtävä varmistaaksesi altaan rakenteen turvallisuus ja onnistuminen. Väärä sijainti voi aiheuttaa jatkossa ongelmia, joista voisi olla seurauksena loukkaantuminen, kuolema tai taloudellinen tappio. Lue alla oleva tarkistuslista huolellisesti altaasi asennuspaikkaa valittaessa.

### **Hyväksyttävää:**

Tasainen, vaakasuora, luja ja kuiva pohja ja helppo pääsy joka puolelle allasta  
Suora auringonpaiste, mieluiten aamulla  
Turvallinen sähköliitäntä suodatinpumpun ja muiden altaan lisävarusteiden käyttöä varten  
Helppo pääsy vesipisteelle  
Tuulensuoja

### **Ei hyväksyttävää:**

Kalvea, epätasainen maa  
Hiekkainen, kivinen tai vetinen maa  
Lähellä puurakenteita (esim. pergoloita ja katteita)  
Puiden vieressä  
Sähköjohtojen tai pyykkinarujen alapuolella  
Viemärit, sähköjohdot tai kaasuputket altaan alla  
Huono tai vähäinen salaojitus  
Korkea tulvimisriski alueella  
Tuuliset olosuhteet

**HUOMAA:** Maan poistaminen korkeammilta kohdilta on parempi vaihtoehto kuin matalien kohtien täyttäminen. Myös ruoho ja turve koko allasalueen alta on poistettava.

## ALTAAN KOKOAMINEN

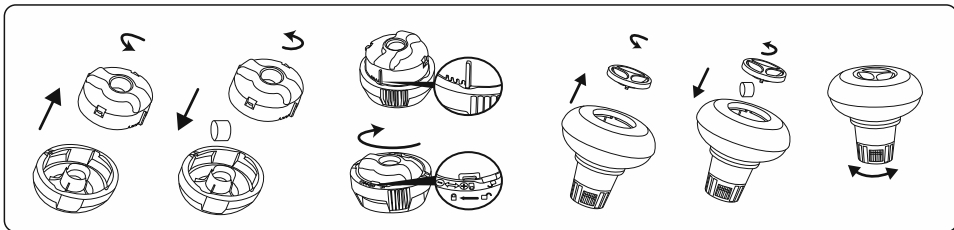
Katso kaavion vaiheet.

## ALTAAN HUOLTO

Jos et noudata tässä annettuja kunnossapito-ohjeita, terveytesi ja erityisesti lapsiesi terveys voi vaarantua.

### **Kemikaalitablettien käyttäminen (eivät sisälly pakkaukseen)**

**HUOMAUTUS:** Kun allasta huolletaan kemikaalisesti, on käytettävä Chemconnect- tai Chemical Floater -tuotetta. Ostamassasi tuotteessa ei ole välttämättä näitä annostelijoita. Siinä tapauksessa voit ostaa niitä verkkosivustoltamme [www.bestwaycorp.com](http://www.bestwaycorp.com) tai lähimmältä altaan jälleenmyyjältä.



**TÄRKEÄÄ:** Älä käytä kide tabletteja tai heitä tabletteja suoraan veteen. Kemikaalit voivat asettua pohjalle, vahingoittaa materiaalia ja haalistaa PVC-muovia.

### **Kemikaalinesteen käyttäminen (ei sisälly pakkaukseen):**

**TÄRKEÄÄ:** Lisää kemikaalinestettä pienissä annoksissa ja altaan keskelle, jotta kemikaalit eivät kosketa suoraan PVC-muovin pintaa. Suora kosketus voi vahingoittaa materiaalia ja haalistaa pintaa.

**HUOMAUTUS:** Poista kemikaaliannostelija altaasta, kun allas on käytössä.

**TÄRKEÄÄ:** Testaa veden kemiallinen koostumus testisarjalla (ei sisälly toimitukseen), sen jälkeen kun kemikaaleja on lisätty veteen ja ennen kuin allasta käytetään. Suosittelemme pitämään veden kemiallisen koostumuksen seuraavan taulukon mukaan.

Parametri	Arvot
Veden kirkkaus	selkeä näkyvyys altaan pohjaan
Veden väri	mitään väriä ei tulisi havaita
Sameus FNU/NTU:ssa	maks. 1,5 (mieluiten alle 0,5)
Nitraattipitoisuus enemmän kuin täyttövedessä mg/l	maks. 20
Orgaanisen hiilen kokonaismäärä (TOC) mg/l	maks. 4,0
Redoksipotentiaali vastaan Ag/AgCl 3,5 m KCl mV:ssä	väh. 650
pH-arvo	6,8–7,6
Vapaa aktiivinen kloori (ilman syanurihappoa) mg/l	0,3–1,5
Vapaa kloori käytettynä yhdessä syanurihapon kanssa mg/l	1,0–3,0
Syanurihappo mg/l	maks. 100
Yhdistetty kloori mg/L	maks. 0,5 (mieluiten lähellä 0,0 mg/l)

**HUOMAUTUS:** Takuu ei kata kemiallisesta epätasapainosta aiheutuvia vahinkoja. Allaskemikaalit ovat periaatteessa myrkyllisiä ja niitä tulisi käsitellä varoen. Kemialliset kaasut ovat vakava terveysriski. Myös virheelliset etiketit ja kemiallisia aineita sisältävien säiliöiden virheellinen varastointi voivat olla vakavia terveysriskejä. Lisätietoja veden kemiallisen tasapainon ylläpitämisestä saat paikalliselta uima-allastuotteiden jälleenmyyjältä. Seuraa tarkasti kemikaalien valmistajan ohjeita. Takuu ei kata vahinkoja, jotka ovat aiheutuneet kemikaalien väärinkäytöstä ja altaan veden vääränlaisesta huollosta.

**TÄRKEÄÄ:** Kemikaalien liiallinen käyttö voi muuttaa painatuksen väriä ja kaikkia allasmateriaalin kohtia. Se voi myös vahingoittaa altaan vuorauksen rakennetta.

### Altaan pitäminen puhtaana:

- Kysy ohjeita paikalliselta allastuotteiden jälleenmyyjältä, jolta voit hankkia myös kemikaaleja ja pH-sarjoja. Yksi tärkeimmistä tekijöistä vuorauksen käyttöön pidentämiseksi on veden pitäminen puhtaana ja terveellisenä. Noudata tiukasti ammattilaisten ohjeita vedenkäsittelystä kemikaalien avulla.
- Laita vesiämpäri altaa viereen, jotta käyttäjät voivat puhdistaa jalkansa ennen altaaseen menoa.
- Peitä allas, kun sitä ei käytetä.
- Puhdista altaan pinta säännöllisesti, jotta liikaa ei pääse kertymään.
- Tarkista ja pese vesipatruuna säännöllisesti.
- Puhdista hellävaraisesti ylärenkaan alla mahdollisesti oleva vaahto puhtaalla liinalla.
- Tarkkaile tilannetta huolellisesti vesisateen yhteydessä. Tarkista, että veden taso ei nouse oletettua korkeammaksi. Jos näin käy, LIIKA VESI ON POISTETTAVA.
- Jos sataa, tarkista, ettei veden pinta ole korkeammalla kuin ohjeiden mukaisella tasolla. Jos veden pinta ylittää ohjeiden mukaisen tason, tyhjennä allasta ohjeiden mukaiselle tasolle.

### Asianmukaisen huolto voi pidentää uima-altaan käyttöikä.

Uima-altaan käyttökäuden aikana suodatusjärjestelmää on käytettävä päivittäin. Käytä sitä riittävän aikaa, jotta vesimäärä vaihtuu vähintään kerran kokonaan.

**HUOMAUTUS:** Pumpppua käytetään kierrättämään vettä ja suodattamaan pienhiukkaset. Altaan veden pitämiseksi puhtaana ja hygieenisenä siihen on lisättävä kemikaaleja.

### Korjaus

Mikäli vuotoja on, paikkaa altaasi käyttämällä mukana toimitettua vedessä käytettävää korjauspaikkaa. Usein kysytyjä kysymyksiä löytyy verkkosivustomme [www.bestwaycorp.com](http://www.bestwaycorp.com) tukisivulta.

### Säilytys

- Poista kaikki lisävarusteet ja varaosat altaasta. Varastoi ne puhtaana ja kuivana.
- Varastoi allasmuovi ja lisävarusteet kuivassa paikassa kohtuullisessa lämpötilassa 5 °C / 41 °F – 38 °C / 100 °F.
- Sateisella säällä allas ja lisävarkkeet on varastoitava yllä annettujen ohjeiden mukaisesti.
- Altaan virheellinen tyhjennys voi aiheuttaa vakavia henkilövammoja ja/tai omaisuusvahinkoja.
- Suosittellemme vahvasti altaan purkamista käyttöesongin ulkopuolella (talvikuuksuksiksi). Säilytä kuivassa paikassa poissa lasten ulottuvilta.

Jos et halua purkaa allasta talveksi, noudata seuraavia ohjeita:

**TÄRKEÄÄ:** Älä tyhjennä allasta kokonaan vedestä. Jos teet näin, allas voi vaurioitua kovasta tulesta. Laske vettä pois, kunnes veden pinta yltää 10 cm altaan seinässä olevan tuloventtiilin alapuolelle.

- Laske vettä pois, kunnes veden pinta yltää 10 cm altaan seinässä olevan tuloventtiilin alapuolelle. Voit käyttää pumpppua tai puutarhaletkua (kaavio 28.29).
- Käsittele altaan vesi sopivalla kemiallisella tuotteella.
- Puhdista suodatinjärjestelmä altaasta. Voit jättää tulo-/poistoliittimet kiinni altaaseen.
- Poista myös mahdolliset muut altaan lisävarusteet ja säilytä ne kuivassa ja viileässä.
- Suojaa allas altaan suojuksella.

Jos haluat purkaa allaan talveksi, noudata seuraavia ohjeita:

- Tyhjennä allas puutarhaletkulla, tai käytä tyhjennuspumpppua altaan tyhjennykseen (kaavio 28).
- Puhdista jokainen altaan osa sienellä ja saippualla, jonka pH-arvo on neutraali. Kuivaa ne ja säilytä kuivassa ja puhtaassa paikassa.



## HYDRIMUM™ OVALE ZWEMBADEN HANDLEIDING

Bezoek het Bestway YouTube-kanaal

### ⚠ WAARSCHUWING

Lees, begrijp en volg zorgvuldig alle informatie in deze gebruikershandleiding vooraleer het zwembad te installeren en te gebruiken. Deze waarschuwingen, instructies en veiligheidsrichtlijnen gaan over sommige courante risico's van waterrecreatie, maar ze omvatten niet alle risico's en gevaren in alle gevallen. Wees altijd voorzichtig en gebruik gezond verstand en beoordelingsvermogen wanneer u van wateractiviteiten geniet. Bewaar deze informatie voor toekomstig gebruik.

#### Veiligheid van niet-zwemmer

- Continu, actief en waakzaam toezicht van zwakke zwemmers en niet-zwemmers door een competente volwassene is altijd vereist (denk eraan dat kinderen onder de vijf jaar oud het hoogste risico op verdrinking lopen).
- Duid een competente volwassene aan om toezicht te houden op het zwembad telkens wanneer het gebruikt wordt.
- Zwakke zwemmers of niet-zwemmers zouden persoonlijke beschermingsuitrusting moeten dragen wanneer ze het zwembad gebruiken.
- Wanneer het zwembad niet in gebruik is of er geen toezicht is, verwijder alle speelgoed uit het zwembad en zijn omgeving om te vermijden kinderen aan te trekken naar het zwembad.

#### Veiligheidsmiddelen

- Ten einde verdrinking van kinderen te vermijden, is het aanbevolen om de toegang tot het zwembad te beveiligen met een beschermingselement. Ten einde te voorkomen dat kinderen van de invoer- en afvoerklappen klimmen, is het aanbevolen een barrière te installeren (en alle deuren en vensters waar van toepassing te beveiligen) om onbevoegde toegang tot het zwembad te voorkomen.
- Barrières, zwembadafdekkingen, zwembadarmen of gelijkaardige veiligheidsmiddelen zijn nuttige hulpmiddelen, maar het zijn geen vervangingen voor een continu en competent toezicht door volwassenen.

#### Veiligheidsapparatuur

- Het is aanbevolen om reddingsapparatuur (bijv. een ring-boei) nabij het zwembad te hebben.
- Houd ook een werkende telefoon en een lijst met noodnummers nabij het zwembad.

#### Veilig gebruik van het zwembad

- Moedig alle gebruikers vooral kinderen aan om te leren zwemmen.
- Leer om te reanimeren (cardiopulmonaire reanimatie - CPR) en vernieuw deze kennis regelmatig. Dit kan een levensreddend verschil uitmaken in een noodgeval.
- Onderricht alle zwembadgebruikers, inbegrepen kinderen, wat te doen in een noodgeval.
- Duik nooit in ondiep water. Dit kan leiden tot ernstige verwondingen of tot de dood.
- Gebruik het zwembad niet wanneer u alcohol of medicatie gebruikt die uw vermogen om het zwembad veilig te gebruiken, zou kunnen aantasten.
- Wanneer zwembadafdekkingen gebruikt worden, verwijder deze volledig uit het wateroppervlak voor u in het zwembad gaat.
- Bescherm de zwembadgebruikers tegen met water verband houdende ziekten door het zwembadwater behandeld te houden en goede hygiëne in acht te nemen. Raadpleeg de richtlijnen voor waterbehandeling in de gebruikershandleiding.
- Bewaar chemicaliën (bijv. voor waterbehandeling of reinigings- en ontsmettingsproducten) buiten het bereik van kinderen.
- Gebruik de aanduidingsborden zoals hieronder aangegeven. Er



- moeten aanduidingsborden staan in een prominente positie binnen de 2m van het zwembad.
- Houd de kinderen onder toezicht in de wateromgeving. Niet duiken.
- Er moeten verwijderbare ladders staan op een horizontaal oppervlak.
- Ongeacht de gebruikte materialen voor de zwembadconstructie, moeten de toegankelijke oppervlakken regelmatig gecontroleerd worden om verwondingen te vermijden.
- Controleer regelmatig bouten en schroeven, verwijder splinters of andere scherpe randen om verwondingen te vermijden.

- **AANDACHT!** aat het leeggelopen zwembad niet buiten staan. Het lege zwembad kan vervormd en/of verplaatst worden omwille van de wind.

- Als u een filterpomp hebt, raadpleeg de handleiding van de pomp voor instructies.

**WAARSCHUWING!** De pomp kan niet worden gebruikt wanneer er zich mensen in het zwembad bevinden!

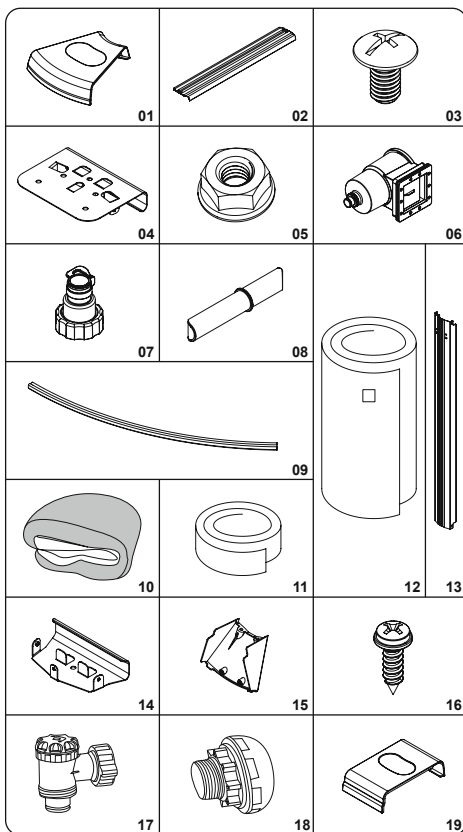
- Als u een ladder hebt, raadpleeg de handleiding van de ladder voor instructies.

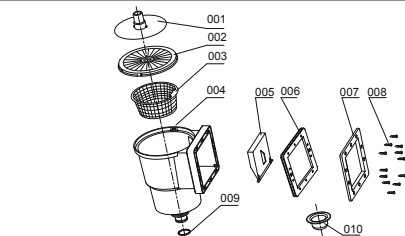
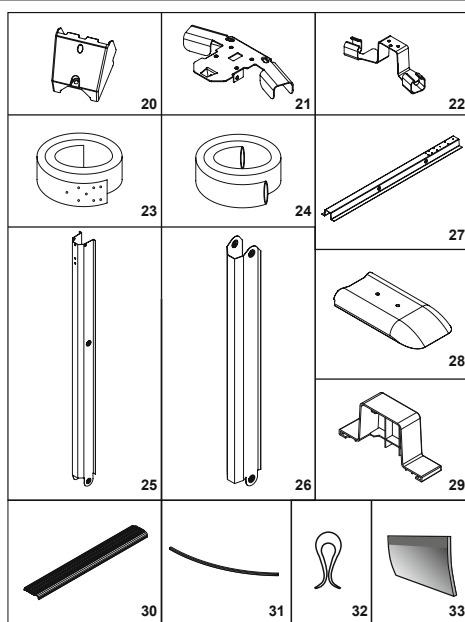
**WAARSCHUWING!** Het gebruik van een zwembadkit impliceert het naleven van de veiligheidsinstructies beschreven in de gebruiks- en onderhoudshandleiding. Ten einde verdrinking of andere ernstige verwondingen te vermijden, moet u bijzonder aandacht verlenen aan de mogelijkheid van een onverwachte toegang tot het zwembad door kinderen jonger dan 5 jaar door de toegang ertoe te beveiligen en de kinderen tijdens het zwemmen voortdurend onder toezicht te houden van volwassenen.

**OPMERKING:** Bij installatie van het zwembad moet de skimmer tegenovergesteld van de belangrijkste windrichting zijn geplaatst zijn. De ladder in het zwembad moet weg van de skimmer gericht zijn.

**Zorgvuldig lezen en bewaren voor toekomstige referentie**

#### Onderdelenreferentie





#### ONDERDELENLIJST VAN DE SKIMMER

Nr.	Naam	Hoeveelheid	Reserveonderdeel nr.
001	Slangbevestiging	1	P6774ASS16
002	Afdekking	1	P6991ASS16
003	Mand	1	P6776ASS16
004	Skimmer	1	P6777ASS16
005	Weir	1	P6992ASS16
006	Afdichting	1	P6993ASS16
007	Vlakplaat	1	P6780ASS16
008	M5x22 schroef	12	/
009	O-ring	1	/
010	Plug	1	P6813ASS16

#### Verste gereedschappen (niet inbegrepen):



De installatie vergt meestal ongeveer 3 uur met 2-3 mensen exclusief grondwerken en vullen.

Nr.	Naam	Materiaal	56586/56587		56369/56370	
			5.00 m x 3.60 m x 1.20 m (16'5" x 12' x 48")		6.10 m x 3.60 m x 1.20 m (20' x 12' x 48")	
			Hoef	Reserveonderdeel nr.	Hoef	Reserveonderdeel nr.
1	Bovenste naadafscherming	PP	8	P6743ASS16	8	P6743ASS16
2	Lang bovenste platform	Bekleed staal	10	P6745ASS16	6	P6745ASS16
3	M6x11 bout	Roestvrij staal 304	170	P6746ASS16	214	P6746ASS16
4	Bovenste metalen stuk	Staal	8	P6747ASS16	8	P6747ASS16
5	M6 moer	Roestvrij staal 304	52	P6748ASS16	74	P6748ASS16
6	Skimmer		1	P6762ASS16	1	P6762ASS16
7	Slangadapter		2	F6H202ASS16	2	F6H202ASS16
8	Railconnector	PP	32	P6990ASS16	32	P6990ASS16
9	Lange rail	PVC	20	P61236ASS16	12	P61237ASS16
10	Bekleding	PVC	1	56286ASS18	1	56369ASS18
11	3M Zelfklevende plakband		1	P6756ASS16	1	P6756ASS16
12	Stalen wand	Bekleed staal	1	P61447ASS17	1	P61448ASS17
13	Verticale steun zwembad	Bekleed staal	8	P6757ASS16	8	P6757ASS16
14	Onderste metalen stuk	Staal	8	P6761ASS16	8	P6761ASS16
15	Onderste naadafscherming	PP	8	P6759ASS16	8	P6759ASS16
16	ST4x14 schroef	Roestvrij staal 304	22	P61491ASS17	28	P61491ASS17
17	Regelklep		1	P6(H2)510ASS18	1	P6(H2)510ASS18
18	Waterinvoerzeef		1	P6(H2)1317ASS18	1	P6(H2)1317ASS18
19	Bovenste naad zijkant	PP	2	P6800ASS16	4	P6800ASS16
20	Onderste naad zijkant	PP	2	P6801ASS16	4	P6801ASS16
21	Bovenste metalen stuk zijkant	Staal	2	P6802ASS16	4	P6802ASS16
22	Onderste metalen stuk zijkant	Staal	2	P6826ASS16	4	P6826ASS16
23	Stalen band	Staal	1	P6810ASS16	2	P6810ASS16
24	Stalen bandafdekking	PVC	1	P6811ASS16	2	P6811ASS16
25	Verticale steun zijkant	Bekleed staal	2	P61249ASS16	4	P61249ASS16
26	Schuine steun zijkant	Bekleed staal	2	P61250ASS16	4	P61250ASS16
27	Schuine steun zijkant	Staal	2	P6827ASS16	4	P6827ASS16
28	Onderste afscherming binnenkant	PP	2	P6828ASS16	4	P6828ASS16
29	Onderste afscherming zijkant	PP	2	P61251ASS16	4	P61251ASS16
30	Kort onderste platform	Bekleed staal	/	/	6	P61234ASS16
31	Korte Rail	PVC	/	/	12	P61238ASS16
32	Clips	Plastic	20	/	20	/
33	Schuimbeschermer	EPE	8	P61473ASS16	8	P61473ASS16

## EEN GESCHIKTE PLAATS SELECTEREN

### WAARSCHUWING: Het waterpas maken is bijzonder belangrijk.

Selecteer zorgvuldig de plaats voor uw nieuw zwembad. Dit is de belangrijkste beslissing die u moet maken om de veiligheid en het succes van uw zwembadconstructie te verzekeren. Een slecht gekozen plaats kan problemen veroorzaken in de toekomst met verwondingen, dood of financieel verlies tot gevolg. Lees zorgvuldig de onderstaande controlelijst wanneer u kiest waar u het zwembad wilt installeren. asennuspaikkaa valittaessa.

#### Aanvaardbaar:

- Vlakke, waterpas, stevige en droge ondergrond met een gemakkelijke toegang naar alle kanten van het zwembad
- Blootgesteld aan direct zonlicht, bij voorkeur 's ochtends
- Veilige toegang tot elektriciteit voor de werking van de filterpomp en andere zwembadaccessoires
- Gemakkelijke toegang tot een waterbron
- Bescherming tegen wind

#### Onaanvaardbaar:

- Schuine, oneffen grond
- Zandachtige, rotsachtige of doorweekte grond
- Dicht bij een houten constructie (bijv. pergola's en houten verandavloer)
- Naast bomen
- Overhangende kabels of waslijnen
- Afvoeren, elektrische kabels of gasbuizen onder de plaats
- Slechte of weinig afvoer
- Locaties met hoog risico op overstroming
- Omstandigheden met veel wind

**OPMERKING:** Verwijder het teveel aan aarde veeleer dan lager liggende aarde op te vullen. Alle gras en zodes onder het volledige zwembadgebied moeten verwijderd worden.

## ZWEMBADMONTAGE

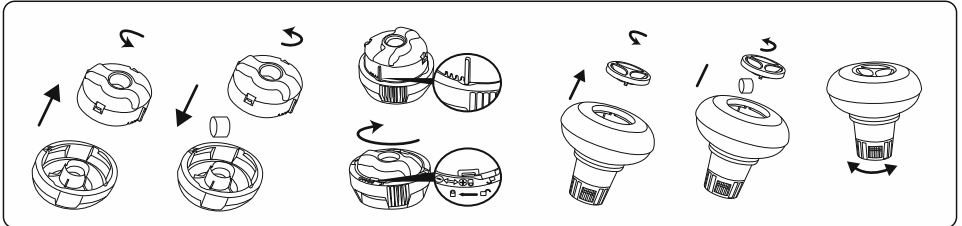
Raadpleeg de diagramstappen.

## ZWEMBADONDERHOUD

Als u zich niet houdt aan de onderstaande onderhoudsrichtlijnen, kan uw gezondheid, en met name die van uw kinderen, gevaar lopen.

### Gebruik van chemische tabletten (niet inbegrepen):

**OPMERKING:** Chemconnect of Chemical Floater moeten worden gebruikt wanneer u chemisch onderhoud met tabletten uitvoert. Het door u aangekochte artikel mag geen van deze dispensers bevatten, in dit geval kunt u hem aanschaffen via onze website [www.bestwaycorp.com](http://www.bestwaycorp.com) of bij het dichtstbijzijnde zwembadverkooppunt.



**BELANGRIJK:** Gebruik geen korreltabletten en gooi de tablet niet direct in het water. De chemicaliën kunnen op de bodem gaan zitten en het materiaal beschadigen en het PVC ontkleuren.

### Gebruik van chemische vloeistoffen (niet inbegrepen):

**BELANGRIJK:** Voeg chemische vloeistof in kleine doses en in het midden van het zwembad toe om direct contact tussen chemicaliën en het PVC-oppervlak te vermijden. Direct contact kan het materiaal beschadigen en het oppervlak ontkleuren.

**OPMERKING:** Verwijder de chemicaliëndoseerder uit het zwembad wanneer het zwembad in gebruik is.

**BELANGRIJK:** Na het uitvoeren van chemisch onderhoud en voor het gebruik van het zwembad, gebruik een testkit (niet inbegrepen) om de waterchemie te testen. Wij adviseren het water te behouden zoals in de onderstaande tabel.

Parameters	Waarden
Waterhelderheid	duidelijk zicht van de bodem van het zwembad
Kleur van het water	er mag geen kleur worden geobserveerd
Turbiditeit in FNU/NTU	max. 1,5 (bij voorkeur minder dan 0,5)
Nitraatconcentratie boven die van vulwater in mg/l	max. 20
Totaal organische koolstof (TOC) in mg/l	max. 4,0
Redoxpotentiaal tegen Ag/AgCl 3,5 m KCl in mV	min. 650
pH-waarde	6,8 tot 7,6
Vrij werkzaam chloor (zonder cyanuurzuur) in mg/l	0,3 tot 1,5
Vrij werkzaam chloor in combinatie met cyanuurzuur in mg/l	1,0 tot 3,0
Cyanuurzuur in mg/l	max. 100
Gecombineerd chloor in mg/l	max. 0,5 (bij voorkeur dicht bij 0,0 mg/l)

**OPMERKING:** Schade tengevolge van chemische onevenwichtigheid is niet gedekt door de garantie. Zwembadchemicaliën zijn potentieel giftig en moeten met zorg gehanteerd worden. Er zijn ernstige gezondheidsrisico's van chemische dampen die het incorrecte labelen en bewaren van chemische containers. Consulteer uw plaatselijke zwembadleverancier voor meer informatie over chemisch onderhoud. Volg nauwgezet de instructies van de fabrikant van de chemicaliën. Schade aan het zwembad tengevolge van het verkeerd gebruik van chemicaliën en verkeerd beheer van het zwembadwater is niet gedekt door de garantie.

**BELANGRIJK:** Overgebruik van chemicaliën kan de print en alle punten van het zwembadmateriaal doen verkleuren. Het kan ook de structuur van de zwembadbekleding beschadigen.

## Het zwembad schoon houden

1. Neem contact op met uw plaatselijke zwembadverkooppunt voor advies en aankoop van chemicaliën en PH-kits. Een van de belangrijkste factoren om de levensduur van de bekleding te doen toenemen is het water steeds schoon en gezond te houden. Volg daarom de instructies van professionele technici strikt op voor de waterbehandeling middels het gebruik van chemicaliën.
2. Plaats een emmer water naast het zwembad om de voeten van de gebruikers mee te wassen voordat ze het zwembad in stappen.
3. Dek het zwembad af wanneer het niet in gebruik is.
4. Skim het oppervlak van het zwembadwater regelmatig om vuilafzetting te voorkomen.
5. Controleer en spoel het filterpatroon regelmatig.
6. Maak van onder de bovenste ring zachtjes schoon en haal eventueel vuil weg met een schone doek.
7. Wees voorzichtig in geval van regenwater, controleer of het waterniveau niet hoger is dan verwacht. Indien dit het geval is, HET OVERTOLLIGE WATER AFVOEREN.
8. Als het regent, controleer dat het waterniveau niet hoger is dan het opgegeven niveau. Als het waterniveau het opgegeven niveau overschrijdt, voer dan water af tot het opgegeven niveau bereikt is.

## Correct onderhoud kan de levensduur van uw zwembad maximaliseren.

Tijdens het seizoen waarin het zwembad gebruikt wordt, moet het filtersysteem noodzakelijkerwijs elke dag worden gebruikt, lang genoeg om ten minste een complete verversing van het hele watervolume te garanderen.

**OPMERKING:** De pomp wordt gebruikt om het water te circuleren en om de kleine deeltjes te filteren. U moet ook chemicaliën toevoegen om uw water proper en hygiënisch te houden.

## Reparatie

In het geval van een lek, repareer uw zwembad met behulp van de bijgeleverde heavy-duty reparatiepatch voor onderwater. U kunt de instructies in de FAQ vinden in de supportafdeling van onze website, [www.bestwaycorp.com](http://www.bestwaycorp.com)

## Opbergen

1. Verwijder alle accessoires en reserveonderdelen van het zwembad en berg ze proper en droog op.
2. Berg de bekleding en accessoires in een droge plaats op met een matige temperatuur tussen 5°C / 41°F and 38°C / 100°F.
3. Tijdens het regenseizoen moeten het zwembad en de accessoires ook volgens bovenstaande instructies worden opgeborgen.
4. Het zwembad op incorrecte wijze laten leeglopen kan ernstig persoonlijk letsel en/of schade aan persoonlijke eigendom veroorzaken.
5. We bevelen ten zeerste aan het zwembad te demonteren buiten het seizoen (tijdens de wintermaanden). Berg op in een droge plaats en buiten het bereik van kinderen.

Als u het zwembad tijdens de winter niet wilt afbreken, volg dan de volgende instructies:

**BELANGRIJK:** Laat niet al het zwembadwater weglopen. Als u dit wel doet, kan het zwembad beschadigd worden door sterke wind. Laat het water weglopen tot op 10 cm onder de invoerlepel op de zwembadwand.

1. Laat het water weglopen tot op 10 cm onder de invoerlepel op de zwembadwand. U kunt een pomp of een tuinslang gebruiken. (Diagram 28, 29).
2. Behandel het zwembadwater met een geschikt chemisch product.
3. Verwijder het filtratiesysteem van het zwembad. U kunt de invoer/afvoer bevestigd laten aan het zwembad.
4. Verwijder ook alle andere accessoires en berg ze op in een droge en koele plaats.
5. Bescherm het zwembad met een afdekking.

Als u het zwembad tijdens de winter wilt afbreken, volg dan de volgende instructies:

1. Laat het water uit het zwembad weglopen met een tuinslang, of gebruik een afvoerpomp om het zwembad leeg te maken (Diagram 28).
2. Reinig alle zwembadonderdelen met een spons en een zeep met een neutrale pH. Droog ze en berg ze op een droge en propere plaats op.





## PISCINE OVALI HYDRIMUM™ MANUALE D'USO

Visita il canale Bestway su YouTube

### ⚠ AVVERTENZA

Leggere attentamente, comprendere e seguire tutte le informazioni in questo manuale prima di installare ed utilizzare la piscina. Queste avvertenze, istruzioni e linee guida di sicurezza trattano alcuni rischi comuni dello svago in acqua, ma non possono coprire tutti i rischi e pericoli in tutti i casi. Fare sempre attenzione e usare buon senso e giudizio durante i giochi in piscina. Conservare questo opuscolo per futuri riferimenti.

#### Sicurezza dei non nuotatori

- È necessaria la sorveglianza continua, attiva e vigile dei nuotatori poco esperti e non nuotatori da parte di un adulto competente (ricordando che i bambini sotto i cinque anni sono a più alto rischio di annegamento).
- Designare un adulto competente che sorvegli la piscina ad ogni utilizzo.
- I nuotatori poco esperti e i non nuotatori devono indossare dispositivi di protezione individuale durante l'uso della piscina.
- Quando la piscina è inutilizzata o non sorvegliata, rimuovere tutti i giocattoli dalla piscina e dai suoi dintorni per evitare di attirare i bambini verso la piscina.

#### Dispositivi di sicurezza

- Per evitare il rischio di annegamento dei bambini, si raccomanda di proteggere l'accesso alla piscina con un dispositivo di sicurezza. Al fine di evitare che i bambini si arrampichino dalla valvola di ingresso e di uscita, si raccomanda di installare una barriera (e proteggere tutte le porte e le finestre, se possibile) per impedire l'accesso non autorizzato alla piscina.
- Barriere, coperture e allarmi per piscine, o simili dispositivi di sicurezza sono utili, ma non possono sostituire la sorveglianza continua e competente di un adulto.

#### Attrezzatura di sicurezza

- Si raccomanda di tenere le attrezzature di sicurezza (ad es. galleggianti) in prossimità della piscina.
- Tenere un telefono funzionante e un elenco di numeri di emergenza vicino alla piscina.

#### Uso sicuro della piscina

- Incoraggiare tutti gli utenti e in particolare i bambini ad imparare a nuotare.
- Imparare le tecniche di primo soccorso (rianimazione cardiopolmonare - RCP) e aggiornare regolarmente le proprie conoscenze. Ciò può fare la differenza e salvare vite umane in caso di emergenza.
- Informare tutti gli utenti della piscina, compresi i bambini, delle procedure da adottare in caso di emergenza.
- Non tuffarsi in bacini d'acqua poco profondi. Ciò potrebbe causare lesioni gravi, anche fatali.
- Non usare la piscina se sono stati assunti alcol o farmaci che potrebbero compromettere la capacità di utilizzare in modo sicuro la piscina.
- Quando si utilizzano le coperture per piscina, rimuoverle completamente dalla superficie dell'acqua prima di entrare in piscina.
- Proteggere gli occupanti della piscina da malattie legate all'acqua, mantenendo l'acqua della piscina trattata e in buone condizioni igieniche. Consultare le linee guida per il trattamento dell'acqua contenute nel manuale utente.
- Conservare i prodotti chimici (es. trattamento dell'acqua, prodotti per la pulizia e la disinfezione) fuori dalla portata dei bambini.



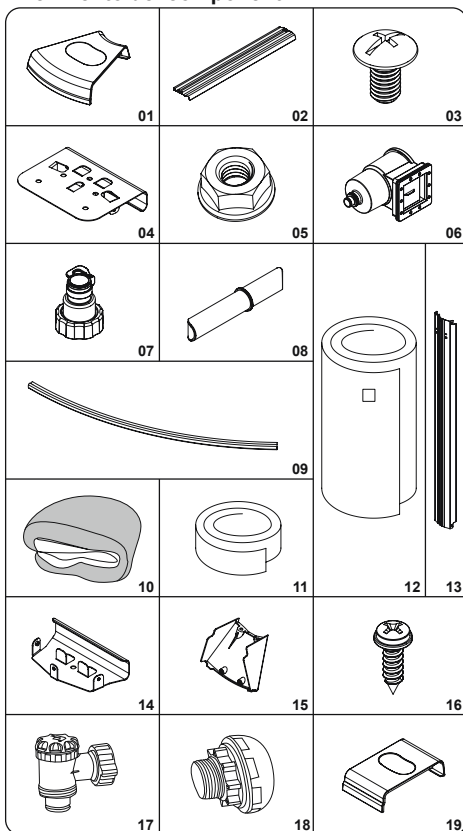
- Utilizzare la segnaletica come indicato di seguito. La segnaletica deve essere esposta in modo visibile entro il raggio di 2 m dalla piscina.
- Quando i bambini sono in acqua, sorvegliarli continuamente. Non tuffarsi.
- Le scalette rimovibili devono essere collocate su una superficie orizzontale.
- Indipendentemente dai materiali utilizzati per la costruzione della piscina, le superfici accessibili devono essere controllate regolarmente per evitare infortuni.
- Controllare regolarmente i bulloni e le viti; rimuovere schegge o bordi appuntiti per evitare lesioni.

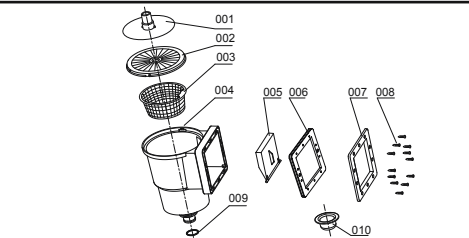
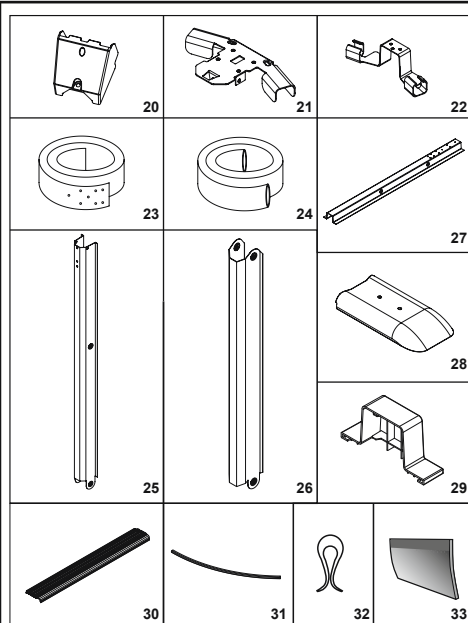
- **ATTENZIONE:** Non lasciare la piscina svuotata all'aperto. La piscina vuota rischia di deformarsi e/o di spostarsi a causa del vento.
- Se è presente una pompa filtrante, fare riferimento al relativo manuale di istruzioni.
- **AVVERTENZA!** Non adoperare la pompa quando le persone si trovano nella piscina!
- Se è presente una scaletta, fare riferimento al relativo manuale di istruzioni.

**AVVERTENZA!** Per utilizzare la piscina è obbligatorio attenersi alle istruzioni relative alla sicurezza riportate nella guida per l'uso e la manutenzione. Al fine di prevenire l'annegamento o altre gravi lesioni, prestare particolare attenzione alla possibilità di accesso inaccessibile alla piscina da parte di bambini sotto i 5 anni rendendo sicuro l'accesso alla stessa e, durante il bagno, tenerli sotto la costante sorveglianza di un adulto.

**NOTA:** Al momento dell'installazione della piscina, la posizione dello skimmer deve essere opposta alla direzione principale del vento. La scaletta deve essere posizionata nella piscine lontano dallo skimmer.  
**Leggere attentamente e conservare per futuri riferimenti**

### Riferimento dei componenti





#### ELENCO COMPONENTI SKIMMER

N.	Nome	Quantità	N. ricambio
001	Fissaggio manicotto	1	P6774ASS16
002	Coperchio	1	P6991ASS16
003	Cestello	1	P6776ASS16
004	Skimmer	1	P6777ASS16
005	Chiusura	1	P6992ASS16
006	Guarnizione	1	P6993ASS16
007	Piastra frontale	1	P6780ASS16
008	Vite M5 x 22	12	/
009	Guarnizione toroidale	1	/
010	Tappo	1	P6813ASS16

#### Utensili necessari (non inclusi):



L'installazione generalmente può essere effettuata da 2-3 persone e richiede circa 3 ore, esclusa la preparazione e il riempimento del terreno.

N.	Nome	Materiale	56586;56587		56369;56370	
			5.00 m x 3.60 m x 1.20 m (16'5" x 12' x 48")		6.10 m x 3.60 m x 1.20 m (20' x 12' x 48")	
			Qtà	N. ricambio	Qtà	N. ricambio
1	Protezione del giunto superiore	Polipropilene (PP)	8	P6743ASS16	8	P6743ASS16
2	Piattaforma superiore lunga	Acciaio rivestito	10	P6745ASS16	6	P6745ASS16
3	Bullone M6 x 11	Acciaio inox 304	170	P6746ASS16	214	P6746ASS16
4	Piastra metallica superiore	Acciaio	8	P6747ASS16	8	P6747ASS16
5	Dado M6	Acciaio inox 304	52	P6748ASS16	74	P6748ASS16
6	Skimmer	/	1	P6762ASS16	1	P6762ASS16
7	Adattatore tubo	/	2	F6H202ASS16	2	F6H202ASS16
8	Connettore guida	Polipropilene (PP)	32	P6990ASS16	32	P6990ASS16
9	Guida lunga	PVC	20	P61236ASS16	12	P61237ASS16
10	Rivestimento	PVC	1	56286ASS18	1	56369ASS18
11	Nastro autoadesivo 3M	/	1	P6756ASS16	1	P6756ASS16
12	Parete in acciaio	Acciaio rivestito	1	P61447ASS17	1	P61448ASS17
13	Supporto verticale della piscina	Acciaio rivestito	8	P6757ASS16	8	P6757ASS16
14	Piastra metallica inferiore	Acciaio	8	P6761ASS16	8	P6761ASS16
15	Protezione del giunto inferiore	Polipropilene (PP)	8	P6759ASS16	8	P6759ASS16
16	Vite ST4 x 14	Acciaio inox 304	22	P61491ASS17	28	P61491ASS17
17	Valvola di controllo	/	1	P6(H2)510ASS18	1	P6(H2)510ASS18
18	Filtro ingresso piscina	/	1	P6(H2)1317ASS18	1	P6(H2)1317ASS18
19	Protezione del giunto laterale	Polipropilene (PP)	2	P6800ASS16	4	P6800ASS16
20	Giunto inferiore laterale	Polipropilene (PP)	2	P6801ASS16	4	P6801ASS16
21	Piastra metallica superiore	Acciaio	2	P6802ASS16	4	P6802ASS16
22	Piastra metallica inferiore laterale	Acciaio	2	P6826ASS16	4	P6826ASS16
23	Fascia in acciaio	Acciaio	1	P6810ASS16	2	P6810ASS16
24	Coperchio fascia in acciaio	PVC	1	P6811ASS16	2	P6811ASS16
25	Supporto verticale della piscina	Acciaio rivestito	2	P61249ASS16	4	P61249ASS16
26	Supporto obliquo della piscina	Acciaio rivestito	2	P61250ASS16	4	P61250ASS16
27	Supporto inferiore della piscina	Acciaio	2	P6827ASS16	4	P6827ASS16
28	Protezione inferiore interna	Polipropilene (PP)	2	P6828ASS16	4	P6828ASS16
29	Protezione inferiore laterale	Polipropilene (PP)	2	P61251ASS16	4	P61251ASS16
30	Piattaforma superiore corta	Acciaio rivestito	/	/	6	P61234ASS16
31	Guida corta	PVC	/	/	12	P61238ASS16
32	Mollette	Plastica	20	/	20	/
33	Protezione in schiuma	EPE	8	P61473ASS16	8	P61473ASS16

## SCELTA DEL LUOGO IDONEO

### AVVERTENZA: Il livellamento è particolarmente importante.

Scegliere con attenzione il luogo più adatto dove collocare la nuova piscina. La decisione è particolarmente importante ai fini della sicurezza e dell'esito del montaggio e dell'uso della piscina. Un luogo inappropriato potrebbe in futuro causare lesioni anche letali e danni ai beni. Leggere attentamente la lista di controllo in basso prima di scegliere il luogo idoneo.

### Luoghi adatti:

Suolo piano, a livello, solido e asciutto, che consente un accesso facile da tutti i lati della piscina

Esposizione diretta alla luce solare, preferibilmente a quella del mattino

Accesso sicuro all'elettricità per l'uso della pompa filtrante e altri accessori della piscina

Fonte idrica facilmente accessibile

Protezione dal vento

### Evitare:

Terreno irregolare e in pendenza

Terreno sabbioso, roccioso o umido

Vicinanza di costruzioni in legno (ad esempio pergole e porticati)

Vicinanza di alberi

Presenza di cavi sospesi e fili stendibiancheria

Presenza di scarichi, cavi elettrici o tubature del gas interrati

Scarico drenaggio delle acque

Luogo a rischio di inondazione

Vento eccessivo

**NOTA:** È preferibile rimuovere il terreno eccedente invece di riempire con quello mancante. Rimuovere l'erba e le zolle di terra sotto l'intera area della piscina.

## MONTAGGIO DELLA PISCINA

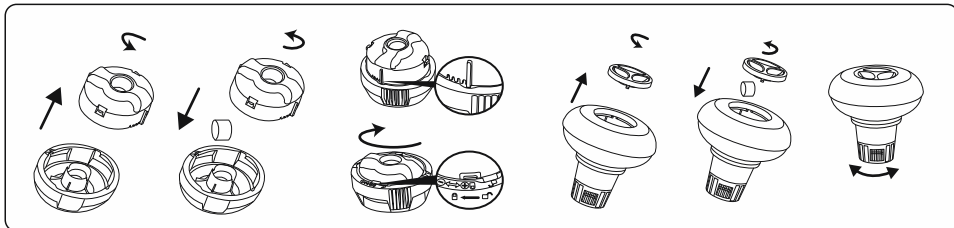
Fare riferimento ai passaggi illustrati nella figura.

## MANUTENZIONE DELLA PISCINA

Se non si rispettano le linee guida di manutenzione riportate di seguito, la salute potrebbe essere a rischio, in particolare quella dei propri figli.

### Utilizzo di compresse chimiche (non incluse):

**NOTA:** Chemconnect o Chemical Floater devono essere utilizzati quando si esegue la manutenzione chimica con compresse. L'articolo acquistato potrebbe non includere nessuno di questi distributori, in questo caso è possibile acquistarlo visitando il nostro sito web [www.bestwaycorp.com](http://www.bestwaycorp.com) o presso il rivenditore di piscine più vicino.



**IMPORTANTE:** Non utilizzare compresse di granulato o gettare la compressa direttamente nell'acqua. I prodotti chimici possono depositarsi sul fondo, danneggiare il materiale e scolorire il PVC.

### Utilizzo di liquido chimico (non incluso):

**IMPORTANTE:** Aggiungere liquido chimico a piccole dosi e al centro della piscina per evitare il contatto diretto tra i prodotti chimici e la superficie del PVC. Il contatto diretto può danneggiare il materiale e scolorire la superficie.

**NOTA:** Rimuovere il distributore chimico dalla piscina quando la piscina è in uso.

**IMPORTANTE:** Dopo aver eseguito la manutenzione chimica e prima di utilizzare la piscina, utilizzare un kit di prova (non incluso) per testare la chimica dell'acqua. Raccomandiamo di mantenere l'acqua secondo la seguente tabella.

Parametri	Valori
Chiarezza dell'acqua	chiara visione del fondo della piscina
Colore dell'acqua	nessun colore dovrebbe essere osservato
Torbidità in FNU / NTU	max. 1,5 (preferibilmente inferiore a 0,5)
Concentrazione di nitrati superiore a quella dell'acqua di riempimento in mg / l	max. 20
Carbonio organico totale (TOC) in mg / l	max. 4,0
Potenziale redox contro Ag / AgCl 3,5 m KCl in mV	min. 650
Valore pH	da 6,8 a 7,6
Cloro attivo libero (senza acido cianurico) in mg / l	da 0,3 a 1,5
Cloro libero usato in combinazione con acido cianurico in mg / l	da 1,0 a 3,0
Acido cianurico in mg / l	max. 100
Cloro combinato in mg / l	max. 0,5 (preferibilmente vicino a 0,0 mg / l)

**NOTA:** I danni derivanti da uno squilibrio chimico non sono coperti dalla garanzia. I prodotti chimici per piscina sono potenzialmente tossici e devono essere maneggiati con cura. Esistono gravi rischi per la salute derivanti dai vapori chimici e dall'etichettatura e dallo stoccaggio errati dei contenitori di sostanze chimiche. Per ulteriori informazioni sulla manutenzione chimica, consultare il rivenditore locale di articoli da piscina. Prestare molta attenzione alle istruzioni del produttore del prodotto chimico. I danni alla piscina derivanti dall'uso improprio di sostanze chimiche dalla cattiva gestione dell'acqua della piscina non sono coperti da garanzia.

**IMPORTANTE:** L'uso eccessivo di sostanze chimiche può scolorire la stampa e tutti i punti del materiale della piscina. Può anche danneggiare la struttura del rivestimento della piscina.

### Per mantenere pulita la piscina:

1. Contattare il negozio di forniture per piscina locale per consulenza e acquisto di prodotti chimici e kit pH. Uno dei fattori più importanti per aumentare la durata del rivestimento è quello di mantenere costantemente acqua pulita e sana. Si prega di seguire rigorosamente le istruzioni dei tecnici professionisti per il trattamento dell'acqua attraverso l'uso di prodotti chimici.
2. Collocare un secchio d'acqua accanto alla piscina per pulire i piedi dei bagnanti prima di entrare nella piscina.
3. Coprire la piscina quando non in uso.
4. Scremare la piscina regolarmente per evitare lo sporco depositato.
5. Controllare e lavare regolarmente la cartuccia del filtro.
6. Pulire delicatamente la schiuma da sotto l'anello superiore con un panno pulito.
7. Si prega di fare attenzione in caso di acqua piovana, verificare gentilmente che il livello dell'acqua non sia superiore al previsto. In tal caso, **SCARICARE L'ACQUA IN ECCESSO.**
8. Se piove, verificare che il livello dell'acqua non sia superiore al livello specificato. Se l'acqua supera i livelli specificati, scaricare la piscina al livello specificato.

### Una corretta manutenzione può massimizzare la durata della piscina.

Durante la stagione di utilizzo della piscina, il sistema di filtrazione deve essere necessariamente messo in servizio ogni giorno, tempo sufficiente per assicurare almeno un completo rinnovo del volume di acqua.

**NOTA:** La pompa viene utilizzata per far circolare l'acqua e per filtrare piccole particelle. Per mantenere l'acqua della piscina pulita e igienica, è necessario aggiungere anche sostanze chimiche.

### Riparazione

In caso di perdite, rattoppare la piscina utilizzando la topa di riparazione adesiva impermeabile fornita. Puoi trovare le istruzioni nelle FAQ nella sezione di supporto del nostro sito Web, [www.bestwaycorp.com](http://www.bestwaycorp.com).

### Conservazione

1. Rimuovere tutti gli accessori e i ricambi della piscina; pulirli e asciugarli prima di conservarli.
2. Conservare il rivestimento e gli accessori in un luogo asciutto con una temperatura moderata tra 5°C/41°F e 38°C/100°F.
3. Durante i periodi piovosi, la piscina e i relativi accessori devono essere conservati attenendosi alle istruzioni sopra fornite.
4. Se la piscina non viene svuotata correttamente, potrebbero verificarsi gravi lesioni personali e/o danni a oggetti e beni.
5. Si consiglia vivamente di smontare la piscina durante la bassa stagione (mesi invernali). Conservare in un luogo asciutto e fuori dalla portata dei bambini.

Se non si desidera smontare la piscina per la stagione invernale, attenersi alle seguenti istruzioni:

**IMPORTANTE:** Non drenare tutta l'acqua della piscina, altrimenti la piscina potrebbe essere danneggiata dal vento forte. Svuotare l'acqua fino a quando il livello raggiunge una distanza di 10 cm al di sotto della valvola di ingresso sulla parete della piscina.

1. Svuotare l'acqua fino a quando il livello raggiunge una distanza di 10 cm al di sotto della valvola di ingresso sulla parete della piscina. È possibile adoperare una pompa o una manichetta da giardino (Figure 28, 29).
2. Trattare l'acqua della piscina con un prodotto chimico idoneo.
3. Rimuovere il sistema di filtraggio dalla piscina. Gli ingressi e le uscite possono rimanere applicati alla piscina.
4. Rimuovere altri accessori e conservarli in un luogo fresco e asciutto.
5. Proteggere la piscina con la copertura.

Se si desidera smontare la piscina per la stagione invernale, attenersi alle seguenti istruzioni:

1. Svuotare la piscina con una manichetta da giardino o con una pompa di scarico (Figure 28).
2. Pulire ogni componente della piscina con una spugna e un sapone con un pH neutro. Asciugarli e conservarli in un luogo asciutto e pulito.



## PISCINES OVALES

### HYDRIMUM™

### MANUEL DE L'UTILISATEUR

Visitez la chaîne YouTube de Bestway 

#### ⚠ ATTENTION

Avant d'installer et d'utiliser, la piscine, veuillez lire attentivement, assimiler et respecter toutes les informations contenues dans cette notice d'utilisation. Ces avertissements, instructions et consignes de sécurité portent sur certains des risques usuels associés aux loisirs aquatiques, mais ils ne peuvent pas couvrir la totalité des risques et dangers dans tous les cas. Faites toujours preuve de prudence, de discernement et de bon sens lors des activités aquatiques. Conservez ces informations afin de pouvoir vous y référer ultérieurement.

#### Sécurité des non-nageurs

- Une surveillance attentive, active et continue par un adulte compétent des enfants qui ne savent pas bien nager et des non-nageurs est requise en permanence (en gardant à l'esprit que le risque de noyade est le plus élevé pour les enfants de moins de cinq ans).
- Désignez un adulte compétent pour surveiller le bassin à chaque fois qu'il est utilisé.
- Il convient que les enfants qui ne savent pas bien nager ou les non-nageurs portent des équipements de protection individuelle lorsqu'ils utilisent la piscine.
- Lorsque le bassin n'est pas utilisé ou est sans surveillance, retirez tous les jouets de la piscine et ses abords afin de ne pas attirer les enfants vers le bassin.

#### Dispositifs de sécurité

- Pour éviter toute noyade d'enfant, il est recommandé de sécuriser l'accès au bassin par un dispositif de protection. Pour éviter que les enfants montent par la vanne d'entrée et de sortie, il est recommandé d'installer une barrière (et de sécuriser toutes les portes et fenêtres, le cas échéant) afin d'empêcher tout accès non autorisé à la piscine.
- Les barrières, couvertures, alarmes de piscines ou dispositifs de sécurité similaires sont des aides utiles, mais ils ne remplacent pas la surveillance continue par un adulte compétent.

#### Équipements de sécurité

- Il est recommandé de garder du matériel de sauvetage (une bouée, par exemple) près du bassin.
- Gardez un téléphone en parfait état de marche et une liste de numéros d'urgence à proximité du bassin.

#### Sécurité d'emploi de la piscine

- Incitez tous les utilisateurs, en particulier les enfants, à apprendre à nager.
- Apprenez les gestes qui sauvent (réanimation cardiopulmonaire) et remettez régulièrement à jour vos connaissances. Ces gestes peuvent sauver une vie en cas d'urgence.
- Expliquez aux utilisateurs de la piscine, enfants inclus, la procédure à suivre en cas d'urgence.
- Ne plongez jamais dans un plan d'eau peu profond, sous peine de blessures graves ou mortelles.
- N'utilisez pas la piscine sous l'emprise d'alcool ou de médicaments susceptibles de réduire votre capacité à utiliser la piscine en toute sécurité.
- Si la piscine est recouverte d'une couverture, retirez-la entièrement de la surface de l'eau avant d'entrer dans le bassin.
- Traitez l'eau de votre piscine et instaurez de bonnes pratiques d'hygiène afin de protéger les utilisateurs des maladies liées à l'eau. Consultez les consignes de traitement de l'eau données dans la notice d'utilisation.



- Stockez les produits chimiques (produits de traitement de l'eau, de nettoyage ou de désinfection, par exemple) hors de portée des enfants.
- Utilisez les pictogrammes décrits ci-dessous. Les pictogrammes doivent être affichés dans une position visible à moins de 2 000 mm de la piscine.
- Surveillez les enfants lorsqu'ils se trouvent dans l'eau. Interdiction de plonger.
- Placez les échelles amovibles sur une surface horizontale.
- Quels que soient les matériaux utilisés pour la construction de la piscine, les surfaces accessibles doivent être régulièrement contrôlées afin d'éviter les blessures.
- Vérifiez régulièrement les boulons et les vis ; éliminez les écailles ou toute arête vive pour éviter les blessures.

- **ATTENTION:** Ne laissez pas la piscine vide à l'extérieur. La piscine vide est susceptible de se déformer et/ou d'être emportée par le vent.
- Si vous avez une pompe de filtration, reportez-vous à la notice d'instructions de la pompe.

**ATTENTION!** Il est interdit d'utiliser la pompe quand des gens se trouvent à l'intérieur de la piscine !

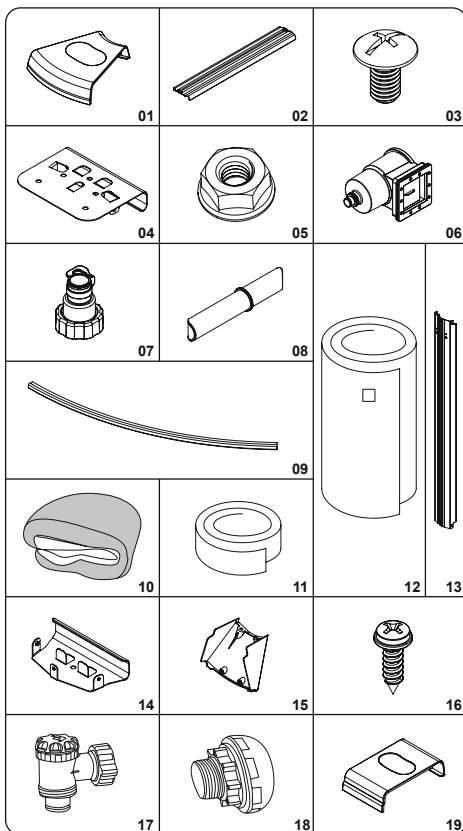
- Si vous avez une échelle, reportez-vous à la notice d'instructions de l'échelle.

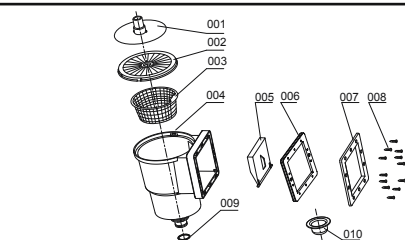
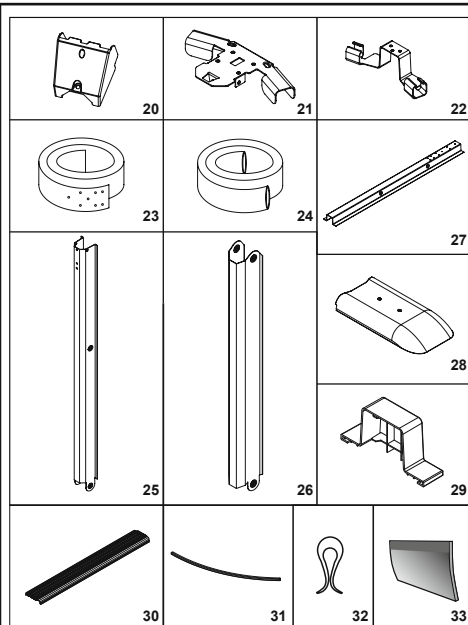
**ATTENTION!** L'utilisation d'une piscine implique le respect des consignes de sécurité contenues dans la notice d'utilisation et d'entretien. Afin d'éviter la noyade et toute autre blessure grave, faites particulièrement attention à la possibilité pour les enfants de moins de 5 ans d'accéder à l'improviste à la piscine en sécurisant son accès, et veillez à ce qu'un adulte les surveille constamment pendant la baignade.

**REMARQUE:** Lors de l'installation de la piscine, le skimmer doit être positionné dans le sens contraire du vent dominant. L'échelle doit être placée dans la piscine loin du skimmer.

**Veuillez lire attentivement ce document et conservez-le pour pouvoir le consulter en cas de besoin.**

#### Référence des pièces





#### LISTE DES PIÈCES DU SKIMMER

N°	Nom	Quantité	Pièce détachée n°
001	Fixation du tuyau	1	P6774ASS16
002	Bâche	1	P6991ASS16
003	Panier	1	P6776ASS16
004	Skimmer	1	P6777ASS16
005	Seuil	1	P6992ASS16
006	Joint d'étanchéité	1	P6993ASS16
007	Plaque de recouvrement	1	P6780ASS16
008	Vis M5x22	12	/
009	Joint torique	1	/
010	Bouchon	1	P6813ASS16

#### Outils requis (pas fournis avec):



L'installation prend habituellement 3 heures environ avec 2-3 personnes, à l'exclusion des ouvrages de terre et du remplissage.

N°	Nom	Matériau	56586;56587		56369;56370	
			5.00 m x 3.60 m x 1.20 m (16'5" x 12' x 48")		6.10 m x 3.60 m x 1.20 m (20' x 12' x 48")	
			Q.té	Pièce détachée n°	Q.té	Pièce détachée n°
1	Protection du joint supérieur	PP	8	P6743ASS16	8	P6743ASS16
2	Longue plateforme du haut	Acier revêtu	10	P6745ASS16	6	P6745ASS16
3	Boulon M6x11	Acier inoxydable 304	170	P6746ASS16	214	P6746ASS16
4	Pièce métallique du haut	Acier	8	P6747ASS16	8	P6747ASS16
5	Écrou M6	Acier inoxydable 304	52	P6748ASS16	74	P6748ASS16
6	Skimmer		1	P6762ASS16	1	P6762ASS16
7	Adaptateur de tuyau		2	F6H202ASS16	2	F6H202ASS16
8	Raccord de rail	PP	32	P6990ASS16	32	P6990ASS16
9	Rail long	PVC	20	P61236ASS16	12	P61237ASS16
10	Bâche	PVC	1	56286ASS18	1	56369ASS18
11	Ruban adhésif 3M		1	P6756ASS16	1	P6756ASS16
12	Paroi en acier	Acier revêtu	1	P61447ASS17	1	P61448ASS17
13	Support vertical de piscine	Acier revêtu	8	P6757ASS16	8	P6757ASS16
14	Pièce métallique du fond	Acier	8	P6761ASS16	8	P6761ASS16
15	Protection du joint du fond	PP	8	P6759ASS16	8	P6759ASS16
16	Vis ST4x14	Acier inoxydable 304	22	P61491ASS17	28	P61491ASS17
17	Vanne de commande		1	P6(H2)510ASS18	1	P6(H2)510ASS18
18	Crépine d'entrée de piscine		1	P6(H2)1317ASS18	1	P6(H2)1317ASS18
19	Joint latéral du haut	PP	2	P6800ASS16	4	P6800ASS16
20	Joint latéral du bas	PP	2	P6801ASS16	4	P6801ASS16
21	Pièce métallique latérale du haut	Acier	2	P6802ASS16	4	P6802ASS16
22	Pièce métallique latérale du bas	Acier	2	P6826ASS16	4	P6826ASS16
23	Courroie en acier	Acier	1	P6810ASS16	2	P6810ASS16
24	Protection de la courroie en acier	PVC	1	P6811ASS16	2	P6811ASS16
25	Support vertical latéral	Acier revêtu	2	P61249ASS16	4	P61249ASS16
26	Support oblique latéral	Acier revêtu	2	P61250ASS16	4	P61250ASS16
27	Support latéral du bas	Acier	2	P6827ASS16	4	P6827ASS16
28	Protection du bas à l'intérieur	PP	2	P6828ASS16	4	P6828ASS16
29	Protection latérale du bas	PP	2	P61251ASS16	4	P61251ASS16
30	Plateforme courte du haut	Acier revêtu	/	/	6	P61234ASS16
31	Rail court	PVC	/	/	12	P61238ASS16
32	Attaches	Plastique	20	/	20	/
33	Protection mousse	EPE	8	P61473ASS16	8	P61473ASS16

## CHOIX D'UN EMLACEMENT ADAPTÉ

### ATTENTION: Le nivellement est extrêmement important.

Choisissez soigneusement l'emplacement de votre nouvelle piscine. C'est la décision la plus importante que vous devrez prendre pour garantir la sécurité et le succès de l'installation de votre piscine. Un mauvais emplacement peut entraîner des problèmes futurs car il peut provoquer des blessures, la mort ou des pertes financières. Lisez attentivement la liste de contrôle ci-dessous quand vous choisissez l'endroit où installer votre piscine.

#### Lieux adaptés:

Sol plat, nivelé, solide et sec qui permette un accès facile de tous les côtés de la piscine

Exposition directe à la lumière du soleil, de préférence celle du matin

Accès en toute sûreté à l'électricité pour l'utilisation de la pompe filtrante et autres accessoires de la piscine

Accès aisé à une alimentation en eau

À l'abri du vent

#### Inacceptable:

Les pentes, les sols accidentés

Les terrains sablonneux, pierreux ou détrempés

Près d'une construction en bois (ex : pergolas et terrasses en bois)

Près des arbres

Fils électriques et cordes à linge passant au-dessus

Drains, fils électriques ou conduites de gaz sous le site

Vidange mauvaise ou limitée

Emplacements présentant un risque élevé d'inondation

Présence de vents forts

**REMARQUE:** Enlevez la hauteur de terre plutôt que remplir le terrain trop bas. Il faut enlever toute la pelouse et toutes les mottes situées sous la surface de la piscine.

## MONTAGE DE LA PISCINE

Veuillez vous reporter aux étapes du schéma.

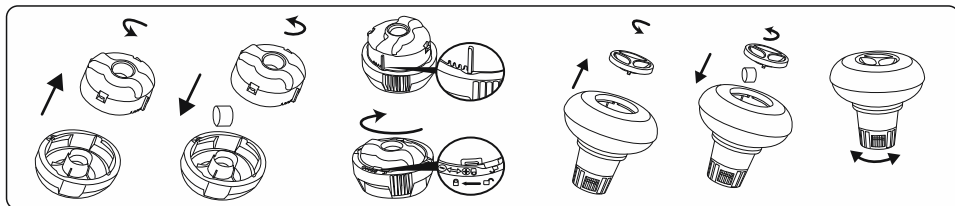
## ENTRETIEN DE LA PISCINE

Si vous ne respectez pas les consignes d'entretien ci-dessous, vous mettez en danger votre santé, et en particulier celle de vos enfants.

### Utilisation de comprimés chimiques (non inclus) :

**REMARQUE :** Le diffuseur Chemconnect ou le flotteur chimique doit être utilisé lorsque vous effectuez l'entretien chimique avec des comprimés.

L'article que vous avez acheté peut ne comprendre aucun de ces diffuseurs. Dans ce cas-là, vous devez l'acheter en visitant notre site web [www.bestwaycorp.com](http://www.bestwaycorp.com) ou chez le revendeur de piscines le plus proche.



**IMPORTANT :** N'utilisez pas de comprimés en granulés et ne jetez pas le comprimé directement dans l'eau. Les produits chimiques peuvent se déposer au fond, endommager le matériel et décolorer le PVC.

### Utilisation de liquide chimique (non inclus) :

**IMPORTANT :** Ajoutez le liquide chimique en petites doses et au centre de la piscine pour éviter tout contact direct entre le produit chimique et la surface du PVC. Tout contact direct peut endommager le matériel et décolorer la surface.

**REMARQUE :** Sortez le diffuseur de produits chimiques de la piscine lorsque vous utilisez la piscine.

**IMPORTANT :** Après avoir effectué le traitement chimique et avant d'utiliser la piscine, servez-vous d'un kit d'essai (non fourni avec) pour tester les propriétés chimiques de l'eau. Nous recommandons de maintenir l'eau conformément au tableau suivant.

Paramètres	Valeurs
Clarté de l'eau	le fond de la piscine est clairement visible
Couleur de l'eau	on ne doit remarquer aucune couleur de l'eau
Turbidité en FNU/NTU	1,5 maxi (de préférence inférieure à 0,5)
Concentration de nitrates supérieure à celle de l'eau de remplissage en mg/l	20 maxi
Carbone organique total (COT) en mg/l	4,0 maxi
Potentiel d'oxydo-réduction par rapport à Ag/AgCl 3,5 m KCl en mV	650 mini
Valeur du pH	de 6,8 à 7,6
Chlore actif libre (sans acide cyanurique) en mg/l	de 0,3 à 1,5
Chlore libre utilisé combiné avec de l'acide cyanurique en mg/l	de 1,0 à 3,0
Acide cyanurique en mg/l	100 maxi
Chlore combiné en mg/l	0,5 maxi (de préférence proche de 0,0 mg/l)

**REMARQUE** : La garantie ne couvre pas les dégâts provoqués par un déséquilibre chimique. Les produits chimiques pour piscine sont potentiellement toxiques et doivent être manipulés en faisant attention. Il existe des risques sérieux pour la santé dérivant des vapeurs chimiques ainsi que de l'étiquetage et du stockage incorrects des récipients chimiques. Veuillez vous adresser au concessionnaire de piscine le plus proche pour plus d'informations au sujet de la maintenance chimique. Lisez attentivement les instructions du producteur de produits chimiques. La garantie ne couvre pas les dégâts occasionnés à la piscine suite à une utilisation incorrecte des produits chimiques et à une mauvaise gestion de l'eau de la piscine.

**IMPORTANT** : L'utilisation excessive de produits chimiques peut décolorer l'imprimé et tous les points du matériau de la piscine. Elle peut également endommager la structure de la bache de piscine.

### Pour maintenir votre piscine propre :

1. Adressez-vous au magasin de produits de piscine le plus proche pour obtenir des conseils et acheter des produits chimiques et des kits pour mesurer le pH. L'un des facteurs les plus importants pour augmenter la durée de vie de la bache consiste à maintenir l'eau toujours propre et saine. Veuillez suivre scrupuleusement les instructions des techniciens professionnels pour le traitement de l'eau en utilisant des produits chimiques.
2. Placez un seau d'eau à côté de la piscine pour que les utilisateurs se lavent les pieds avant d'entrer dans la piscine.
3. Couvrez la piscine quand vous ne l'utilisez pas.
4. Écumez la piscine régulièrement pour éviter que la saleté s'installe.
5. Contrôlez et lavez régulièrement la cartouche de filtration.
6. Nettoyez délicatement la mousse sous le boudin du haut avec un chiffon propre.
7. Faites attention quand il pleut en vérifiant que l'eau ne dépasse pas le niveau prévu. Si c'est le cas, VOUS DEVEZ VIDANGER L'EXCÉDENT D'EAU.
8. S'il pleut, vérifiez que le niveau de l'eau ne dépasse pas le niveau indiqué. Si l'eau dépasse les niveaux indiqués, vidangez la piscine jusqu'au niveau indiqué.

### Un bon entretien peut optimiser la durée de vie de votre piscine.

Durant la saison d'utilisation de la piscine, le système de filtration doit être nécessairement mis en service tous les jours pendant suffisamment longtemps pour garantir au moins un renouvellement complet du volume de l'eau.

**REMARQUE** : La pompe sert à faire circuler l'eau et à filtrer les petites particules. Pour que l'eau de votre piscine reste propre et saine, vous devez également ajouter des produits chimiques.

### Réparation

En cas de fuite, réparez votre piscine au moyen de la rustine résistante fournie. Vous pouvez trouver les instructions dans les FAQ dans la section assistance de notre site web, [www.bestwaycorp.com](http://www.bestwaycorp.com).

### Rangement

1. Enlevez tous les accessoires et toutes les pièces détachées de la piscine, puis rangez-les après les avoir lavés et séchés.
2. Rangez la bache et les accessoires au sec à une température modérée comprise entre 5 °C / 41 °F et 38 °C / 100 °F.
3. Pendant la saison des pluies, il faut ranger la piscine et ses accessoires comme cela est indiqué plus haut.
4. Une vidange incorrecte de la piscine peut provoquer des blessures graves et/ou des dégâts matériels.
5. Nous conseillons vivement de démonter la piscine hors saison (pendant l'hiver). Rangez-la au sec, hors de portée des enfants.

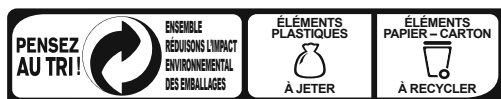
Si vous ne souhaitez pas démonter la piscine durant l'hiver, suivre les instructions suivantes :

**IMPORTANT** : Ne vidangez pas toute l'eau de la piscine. Si vous le faites, la piscine pourrait être endommagée par un vent fort. Vidangez l'eau jusqu'à 10cm en dessous de la vanne d'entrée sur la paroi de la piscine.

1. Vidangez l'eau jusqu'à 10 cm en dessous de la vanne d'entrée sur la paroi de la piscine. Vous pouvez utiliser une pompe ou un tuyau d'arrosage (Figure 28,29).
2. Traitez l'eau de la piscine avec un produit chimique adapté.
3. Enlevez le système de filtration de la piscine. Vous pouvez laisser les entrées/sorties fixées sur la piscine.
4. Retirez les autres accessoires et les conserver dans un lieu frais et sec.
5. Recouvrir la piscine avec sa protection.

Si vous souhaitez démonter la piscine pendant l'hiver, veuillez respecter les instructions suivantes :

1. Vidangez la piscine avec un tuyau d'arrosage ou utilisez une pompe de vidange pour vider la piscine (Figure 28).
2. Nettoyez toutes les pièces de la piscine avec une éponge et un savon au pH neutre. Séchez-les et rangez-les dans un endroit propre et sec.



CONSIGNE POLYVALENT VARIER LOCALEMENT > [WWW.CONSIGNESDETRI.FR](http://WWW.CONSIGNESDETRI.FR)







**ΟΒΑΛ ΠΙΣΙΝΕΣ  
HYDRUM™**

**ΕΓΧΕΙΡΙΔΙΟ ΙΔΙΟΚΤΗΤΗ**

ΕΠΙΣΚΕΦΘΕΙΤΕ ΤΟ ΚΑΝΑΛΙ ΤΗΣ BESTWAY ΣΤΟ YOUTUBE

**ΠΡΟΕΙΔΟΠΟΙΗΣΗ**

ΔΙΑΒΑΣΤΕ ΠΡΟΣΕΚΤΙΚΑ, ΚΑΤΑΝΟΗΣΤΕ ΚΑΙ ΑΚΟΛΟΥΘΗΣΤΕ ΟΛΕΣ ΤΙΣ ΠΛΗΡΟΦΟΡΙΕΣ ΣΕ ΑΥΤΟ ΤΟ ΕΓΧΕΙΡΙΔΙΟ ΧΡΗΣΗΣ ΠΡΙΝ ΑΠΟ ΤΗΝ ΕΓΚΑΤΑΣΤΑΣΗ ΚΑΙ ΤΗ ΧΡΗΣΗ ΤΗΣ ΠΙΣΙΝΑΣ. ΑΥΤΕΣ ΟΙ ΠΡΟΕΙΔΟΠΟΙΗΣΕΙΣ, ΟΔΗΓΙΕΣ ΚΑΙ ΚΑΤΕΥΘΥΝΤΗΡΙΕΣ ΟΔΗΓΙΕΣ ΓΙΑ ΤΗΝ ΑΣΦΑΛΕΙΑ ΑΝΑΦΕΡΟΝΤΑΙ ΣΕ ΚΑΠΟΙΟΥΣ ΣΥΝΤΗΡΙΣΜΟΥΣ ΚΙΝΔΥΝΟΥΣ ΤΗΣ ΑΝΑΨΥΧΗΣ ΣΤΟ ΝΕΡΟ, ΑΛΛΑ ΔΕΝ ΜΠΟΡΟΥΝ ΝΑ ΚΑΛΥΨΟΥΝ ΟΛΟΥΣ ΤΟΥΣ ΚΙΝΔΥΝΟΥΣ ΣΕ ΟΛΕΣ ΤΙΣ ΠΕΡΙΠΤΩΣΕΙΣ. ΠΑΝΤΟΤΕ ΕΠΙΔΕΙΚΝΥΤΕ ΠΡΟΣΟΧΗ, ΚΟΙΝΗ ΛΟΓΙΚΗ ΚΑΙ ΚΛΑΪΗ ΚΡΙΣΗ ΟΤΑΝ ΑΠΟΛΑΜΒΑΝΕΤΕ ΟΛΟΙΟΔΗΠΟΤΕ ΔΡΑΣΤΗΡΙΟΤΗΤΑ ΣΤΟ ΝΕΡΟ. ΦΥΛΑΞΤΕ ΑΥΤΕΣ ΤΙΣ ΠΛΗΡΟΦΟΡΙΕΣ ΓΙΑ ΜΕΛΛΟΝΤΙΚΗ ΧΡΗΣΗ.

**ΑΣΦΑΛΕΙΑ ΟΣΩΝ ΔΕΝ ΓΝΩΡΙΖΟΥΝ ΚΟΛΥΜΒΗΣΗ**

- ΑΝΑ ΠΑΣΑ ΣΤΙΓΜΗ ΑΠΑΙΤΕΙΤΑΙ ΣΥΝΕΧΗΣ, ΕΝΕΡΓΗ, ΚΑΙ ΑΓΡΥΠΝΗ ΕΠΙΒΛΕΨΗ ΤΩΝ ΑΔΥΝΑΜΩΝ ΚΟΛΥΜΒΗΤΩΝ ΚΑΙ ΤΩΝ ΜΗ ΚΟΛΥΜΒΗΤΩΝ ΑΠΟ ΑΡΜΟΔΙΟ ΕΝΗΛΙΚΑ (ΕΝΘΥΜΟΥΜΕΝΟΙ ΟΤΙ ΤΑ ΠΑΙΔΙΑ ΚΑΤΩ ΤΩΝ ΠΕΝΤΕ ΕΤΩΝ ΔΙΑΤΡΕΧΟΥΝ ΤΟΝ ΥΠΗΛΟΤΕΡΟ ΚΙΝΔΥΝΟ ΠΙΝΙΜΟΥ).
- ΟΡΙΣΤΕ ΕΝΑΝ ΑΡΜΟΔΙΟ ΕΝΗΛΙΚΑ ΝΑ ΕΠΙΒΛΕΠΕΙ ΤΗΝ ΠΙΣΙΝΑ ΚΑΘΕ ΦΟΡΑ ΠΟΥ ΕΙΝΑΙ ΣΕ ΧΡΗΣΗ.
- ΟΙ ΑΔΥΝΑΜΟΙ ΚΟΛΥΜΒΗΤΕΣ Η ΟΙ ΜΗ ΓΝΩΡΙΖΟΝΤΕΣ ΚΟΛΥΜΒΗΣΗ ΘΑ ΠΡΕΠΕΙ ΝΑ ΦΟΡΟΥΝ ΕΞΟΠΛΙΣΜΟ ΑΤΟΜΙΚΗΣ ΠΡΟΣΤΑΣΙΑΣ ΚΑΤΑ ΤΗ ΧΡΗΣΗ ΤΗΣ ΠΙΣΙΝΑΣ.
- ΟΤΑΝ Η ΠΙΣΙΝΑ ΔΕΝ ΕΙΝΑΙ ΣΕ ΧΡΗΣΗ, Η ΕΙΝΑΙ ΧΩΡΙΣ ΕΠΙΒΛΕΨΗ, ΑΦΑΙΡΕΣΤΕ ΟΛΑ ΤΑ ΠΑΙΧΝΙΔΙΑ ΑΠΟ ΤΗΝ ΠΙΣΙΝΑ ΚΑΙ ΤΟΝ ΠΕΡΙΒΑΛΛΟΝΤΑ ΧΩΡΟ ΩΣΤΕ ΝΑ ΑΠΟΤΡΕΠΕΙΤΑΙ Η ΠΡΟΣΕΛΚΥΣΗ ΠΑΙΔΙΩΝ ΣΤΗΝ ΠΙΣΙΝΑ.

**ΣΥΣΚΕΥΕΣ ΑΣΦΑΛΕΙΑΣ**

- ΠΡΟΚΕΙΜΕΝΟΥ ΝΑ ΑΠΟΤΡΑΠΕΙ Ο ΠΙΝΙΜΟΣ ΠΑΙΔΙΩΝ, ΣΥΝΙΣΤΑΤΑΙ ΝΑ ΑΣΦΑΛΙΣΤΕ ΤΗΝ ΠΡΟΣΒΑΣΗ ΣΤΗΝ ΠΙΣΙΝΑ ΜΕ ΜΙΑ ΠΡΟΣΤΑΤΕΥΤΙΚΗ ΣΥΣΚΕΥΗ. ΠΡΟΚΕΙΜΕΝΟΥ ΝΑ ΑΠΟΤΡΑΠΟΥΝ ΤΑ ΠΑΙΔΙΑ ΑΠΟ ΤΟ ΝΑ ΣΚΑΡΦΑΛΩΣΟΥΝ ΑΠΟ ΤΗ ΒΑΛΒΙΔΑ ΕΙΣΟΔΟΥ ΚΑΙ ΕΞΟΔΟΥ. ΣΥΝΙΣΤΑΤΑΙ ΝΑ ΕΓΚΑΤΑΣΤΑΘΕΙ ΕΝΑ ΕΜΠΟΔΙΟ (ΚΑΙ ΝΑ ΑΣΦΑΛΙΣΤΕ ΟΛΕΣ ΤΙΣ ΠΟΡΤΕΣ ΚΑΙ ΤΑ ΠΑΡΑΘΩΡΑ, ΟΠΟΥ ΕΦΑΡΜΟΖΕΤΑΙ) ΓΙΑ ΝΑ ΑΠΟΤΡΕΨΕΤΕ ΤΗ ΜΗ ΕΞΟΥΣΙΟΔΟΤΗΜΕΝΗ ΠΡΟΣΒΑΣΗ ΣΤΗΝ ΠΙΣΙΝΑ.
- ΕΜΠΟΔΙΑ, ΚΑΛΥΜΜΑΤΑ ΠΙΣΙΝΑΣ, ΣΥΝΑΓΕΡΜΟΙ ΠΙΣΙΝΑΣ, Η ΠΑΡΟΜΟΙΕΣ ΣΥΣΚΕΥΕΣ ΑΣΦΑΛΕΙΑΣ ΕΙΝΑΙ ΧΡΗΣΙΜΑ ΒΟΗΘΗΜΑΤΑ, ΑΛΛΑ ΔΕΝ ΥΠΟΚΑΘΙΣΤΟΥΝ ΤΗ ΣΥΝΕΧΗ ΚΑΙ ΑΡΜΟΔΙΑ ΕΠΙΒΛΕΨΗ ΑΠΟ ΕΝΗΛΙΚΑ.

**ΕΞΟΠΛΙΣΜΟΣ ΑΣΦΑΛΕΙΑΣ**

- ΣΥΝΙΣΤΑΤΑΙ Ο ΕΞΟΠΛΙΣΜΟΣ ΔΙΑΣΩΣΗΣ (Π.Χ. ΔΑΚΤΥΛΟΙΕΙΕΙΣ ΣΗΜΑΔΟΥΡΑ) ΝΑ ΦΥΛΑΣΣΕΤΑΙ ΔΙΠΛΑ ΣΤΗΝ ΠΙΣΙΝΑ.
- ΔΙΑΤΗΡΕΙΤΕ ΜΙΑ ΛΕΙΤΟΥΡΓΙΚΗ ΣΥΣΚΕΥΗ ΘΛΕΦΘΟΝΟΥ ΚΑΙ ΜΙΑ ΛΙΣΤΑ ΤΩΝ ΘΛΕΦΘΩΝΩΝ ΕΚΤΑΚΤΗΣ ΑΝΑΓΚΗΣ ΚΟΝΤΑ ΣΤΗΝ ΠΙΣΙΝΑ.

**ΑΣΦΑΛΗΣ ΧΡΗΣΗ ΤΗΣ ΠΙΣΙΝΑΣ**

- ΕΝΘΑΡΡΥΝΕΤΕ ΟΛΟΥΣ ΤΟΥΣ ΧΡΗΣΤΕΣ ΚΑΙ ΙΔΙΑΙΤΕΡΑ ΤΑ ΠΑΙΔΙΑ ΝΑ ΜΑΘΟΥΝ ΚΟΛΥΜΒΗΣΗ.
- ΜΑΘΕΤΕ ΒΑΣΙΚΗ ΥΠΟΣΤΗΡΙΞΗ ΖΩΗΣ (ΚΑΡΔΙΟΑΝΑΠΝΕΥΣΤΙΚΗ ΑΝΑΝΗΨΗ - CPR) ΚΑΙ ΑΝΑΝΕΩΝΕΤΕ ΑΥΤΕΣ ΤΙΣ ΓΝΩΣΕΙΣ ΤΑΚΤΙΚΑ. ΣΕ ΠΕΡΙΠΤΩΣΗ ΕΚΤΑΚΤΗΣ ΑΝΑΓΚΗΣ ΑΥΤΟ ΜΠΟΡΕΙ ΝΑ ΚΑΝΕΙ ΤΗ ΔΙΑΦΟΡΑ ΔΙΑΣΩΣΗΣ ΜΙΑΣ ΖΩΗΣ.
- ΔΩΣΤΕ ΟΔΗΓΙΕΣ ΣΕ ΟΛΟΥΣ ΤΟΥΣ ΧΡΗΣΤΕΣ ΤΗΣ ΠΙΣΙΝΑΣ.
- ΣΥΜΠΕΡΙΛΑΜΒΑΝΟΜΕΝΩΝ ΤΩΝ ΠΑΙΔΙΩΝ, ΓΙΑ ΤΟ ΤΙ ΝΑ ΚΑΝΟΥΝ ΣΕ ΠΕΡΙΠΤΩΣΗ ΕΚΤΑΚΤΗΣ ΑΝΑΓΚΗΣ
- ΠΟΤΕ ΜΗΝ ΚΑΤΑΔΥΣΕΤΕ ΣΕ ΟΠΟΙΟΔΗΠΟΤΕ ΡΗΧΑ ΝΕΡΑ. ΑΥΤΟ ΜΠΟΡΕΙ ΝΑ ΠΡΟΚΑΛΕΣΕΙ ΣΟΒΑΡΟ ΤΡΑΥΜΑΤΙΣΜΟ Η ΘΑΝΑΤΟ.
- ΜΗΝ ΧΡΗΣΙΜΟΠΟΙΕΙΤΕ ΤΗΝ ΠΙΣΙΝΑ ΟΤΑΝ ΚΑΝΕΤΕ ΧΡΗΣΗ ΑΛΚΟΟΛ Η ΦΑΡΜΑΚΩΝ ΠΟΥ ΜΠΟΡΕΙ ΝΑ ΕΠΗΡΕΑΣΟΥΝ ΤΗΝ ΙΚΑΝΟΤΗΤΑ ΣΑΣ ΝΑ ΧΡΗΣΙΜΟΠΟΙΕΙΤΕ ΜΕ ΑΣΦΑΛΕΙΑ ΤΗΝ ΠΙΣΙΝΑ.
- ΟΤΑΝ ΧΡΗΣΙΜΟΠΟΙΟΥΝΤΑΙ ΚΑΛΥΜΜΑΤΑ ΠΙΣΙΝΑΣ, ΑΦΑΙΡΕΙΤΕ ΤΑ ΕΝΤΕΛΩΣ ΑΠΟ ΤΗΝ ΕΠΙΦΑΝΕΙΑ ΤΟΥ ΝΕΡΟΥ ΠΡΙΝ ΑΠΟ ΤΗΝ ΕΙΣΟΔΟ ΣΤΗΝ ΠΙΣΙΝΑ.
- ΠΡΟΣΤΑΤΕΨΤΕ ΤΟΥΣ ΧΡΗΣΤΕΣ ΤΗΣ ΠΙΣΙΝΑΣ ΑΠΟ ΑΣΘΕΝΕΙΕΣ ΠΟΥ ΣΧΕΤΙΖΟΝΤΑΙ ΜΕ ΤΟ ΝΕΡΟ, ΔΙΑΤΗΡΩΝΤΑΣ ΤΟ ΝΕΡΟ ΤΗΣ ΠΙΣΙΝΑΣ ΕΠΕΞΕΡΓΑΣΜΕΝΟ ΚΑΙ ΘΗΡΩΝΤΑΣ ΚΑΛΗ ΥΓΙΕΙΝΗ. ΣΥΜΒΟΥΛΕΥΤΕΙΤΕ ΤΙΣ ΚΑΤΕΥΘΥΝΤΗΡΙΕΣ ΟΔΗΓΙΕΣ ΕΠΕΞΕΡΓΑΣΙΑΣ ΤΟΥ ΝΕΡΟΥ ΣΤΟ ΕΓΧΕΙΡΙΔΙΟ ΧΡΗΣΗΣ.

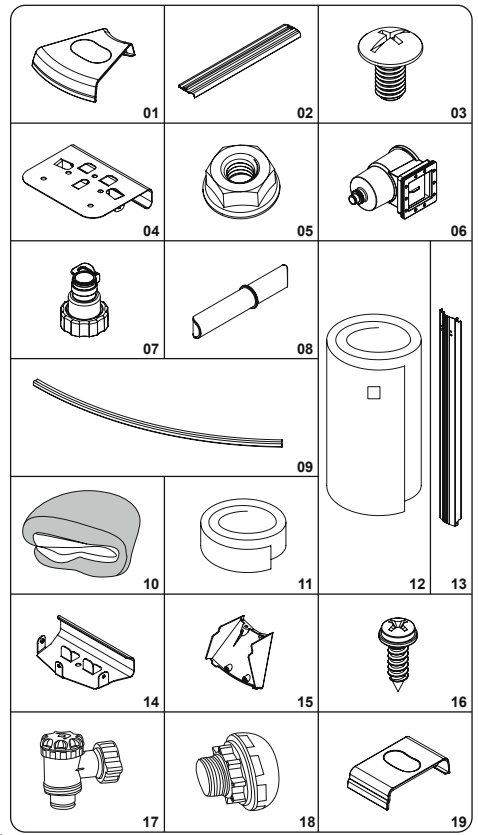
- ΑΠΟΘΗΚΕΥΕΤΕ ΤΑ ΧΗΜΙΚΑ (Π.Χ. ΠΡΟΪΟΝΤΑ ΕΠΕΞΕΡΓΑΣΙΑΣ ΝΕΡΟΥ, ΚΑΘΑΡΙΣΜΟΥ Η ΑΠΟΛΥΜΑΝΣΗΣ) ΜΑΚΡΙΑ ΑΠΟ ΠΑΙΔΙΑ.
- ΧΡΗΣΙΜΟΠΟΙΗΣΤΕ ΤΗ ΣΗΜΑΝΣΗ ΟΠΩΣ ΠΕΡΙΓΡΑΦΕΤΑΙ ΠΑΡΑΚΑΤΩ. Η ΣΗΜΑΝΣΗ ΠΡΕΠΕΙ ΝΑ ΑΝΑΡΤΑΤΑΙ ΣΕ ΕΜΦΑΝΗ ΘΕΣΗ ΕΝΤΟΣ 2μ. ΑΠΟ ΤΗΝ ΠΙΣΙΝΑ.
- ΕΠΙΒΛΕΠΕΤΕ ΤΑ ΠΑΙΔΙΑ ΠΟΥ ΒΡΙΣΚΟΝΤΑΙ ΣΤΟ ΝΕΡΟ. ΑΠΑΓΟΡΕΥΟΝΤΑΙ ΟΙ ΒΟΥΤΙΕΣ.
- ΟΙ ΑΦΑΙΡΟΥΜΕΝΕΣ ΣΚΑΛΕΣ ΠΡΕΠΕΙ ΝΑ ΤΟΠΟΘΕΤΟΥΝΤΑΙ ΣΕ ΟΡΙΖΟΝΤΙΑ ΕΠΙΦΑΝΕΙΑ.
- ΑΝΕΞΑΡΤΗΤΑ ΤΩΝ ΥΛΙΚΩΝ ΠΟΥ ΧΡΗΣΙΜΟΠΟΙΟΥΝΤΑΙ ΓΙΑ ΤΗΝ ΚΑΤΑΣΚΕΥΗ ΤΗΣ ΠΙΣΙΝΑΣ, ΟΙ ΠΡΟΣΤΕΣ ΕΠΙΦΑΝΕΙΕΣ ΠΡΕΠΕΙ ΝΑ ΕΛΕΓΧΟΝΤΑΙ ΤΑΚΤΙΚΑ ΓΙΑ ΤΗΝ ΑΠΟΦΥΓΗ ΤΡΑΥΜΑΤΙΣΜΩΝ.
- ΕΠΙΦΟΡΕΤΕ ΤΑΚΤΙΚΑ ΤΑ ΜΠΟΥΛΟΝΙΑ ΚΑΙ ΒΙΔΕΣ, ΑΦΑΙΡΕΙΤΕ ΑΚΙΔΕΣ Η ΑΚΙΜΗΡΕΣ ΑΚΜΕΣ ΓΙΑ ΤΗΝ ΑΠΟΦΥΓΗ ΤΡΑΥΜΑΤΙΣΜΩΝ.

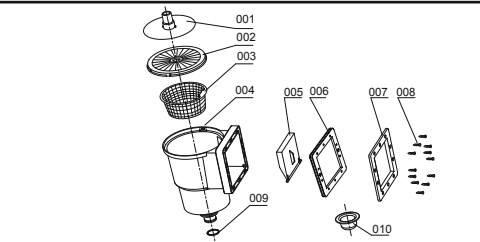
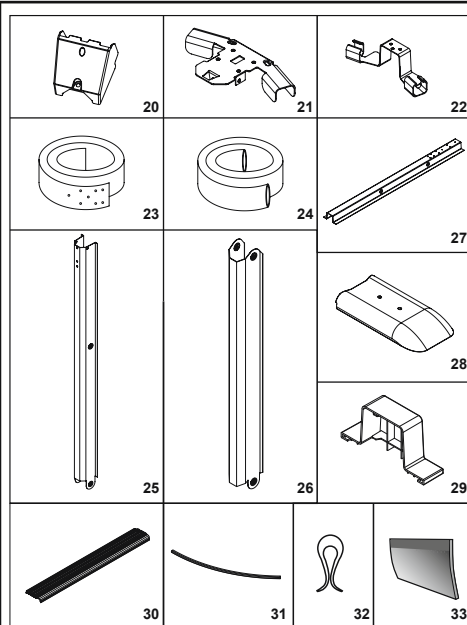
- ΠΡΟΣΟΧΗ:** ΜΗΝ ΑΦΗΝΕΤΕ ΤΗΝ ΑΠΟΣΤΡΑΓΜΙΣΜΕΝΗ ΠΙΣΙΝΑ ΕΞΩ. Η ΑΔΕΙΑ ΠΙΣΙΝΑ ΕΙΝΑΙ ΠΙΘΑΝΟ ΝΑ ΠΑΡΑΜΟΡΦΩΕΙ ΚΑΛΗ/Ν ΕΚΤΟΣΙΝΕΣ ΛΟΓΩ ΤΟΥ ΑΝΕΜΟΥ.
- ΕΑΝ ΔΙΑΘΕΤΕΤΕ ΜΙΑ ΑΝΤΛΙΑ ΦΙΛΤΡΟΥ, ΑΝΑΤΡΕΤΕ ΣΤΟ ΕΓΧΕΙΡΙΔΙΟ ΤΗΣ ΑΝΤΛΙΑΣ ΓΙΑ ΟΔΗΓΙΕΣ.
- ΠΡΟΕΙΔΟΠΟΙΗΣΗ:** Η ΑΝΤΛΙΑ ΔΕΝ ΜΠΟΡΕΙ ΝΑ ΧΡΗΣΙΜΟΠΟΙΗΘΕΙ, ΕΝΩ ΥΠΑΡΧΟΥΝ ΑΝΘΡΩΠΟΙ ΜΕΣΑ ΣΤΗΝ ΠΙΣΙΝΑ!
- ΕΑΝ ΔΙΑΘΕΤΕΤΕ ΜΙΑ ΣΚΑΛΑ, ΑΝΑΤΡΕΤΕ ΣΤΟ ΕΓΧΕΙΡΙΔΙΟ ΤΗΣ ΣΚΑΛΑΣ ΓΙΑ ΟΔΗΓΙΕΣ.

**ΠΡΟΕΙΔΟΠΟΙΗΣΗ!** Η ΧΡΗΣΗ ΤΗΣ ΠΙΣΙΝΑΣ ΠΡΟΪΠΟΘΕΤΕΙ ΣΥΜΜΟΡΦΩΣΗ ΜΕ ΤΙΣ ΟΔΗΓΙΕΣ ΑΣΦΑΛΕΙΑΣ ΠΟΥ ΠΕΡΙΓΡΑΦΟΝΤΑΙ ΣΤΙΣ ΟΔΗΓΙΕΣ ΛΕΙΤΟΥΡΓΙΑΣ ΚΑΙ ΣΥΝΤΗΡΗΣΗΣ. ΓΙΑ ΤΗΝ ΠΡΟΛΗΨΗ ΠΙΝΙΜΟΥ ΚΑΙ ΑΛΛΩΝ ΣΟΒΑΡΩΝ ΤΡΑΥΜΑΤΙΣΜΩΝ, ΔΩΣΤΕ ΙΔΙΑΙΤΕΡΗ ΠΡΟΣΟΧΗ ΣΤΗΝ ΠΙΘΑΝΟΤΗΤΑ ΑΠΡΟΣΔΟΚΗΤΗΣ ΠΡΟΣΒΑΣΗΣ ΣΤΗΝ ΠΙΣΙΝΑ ΑΠΟ ΠΑΙΔΙΑ ΚΑΤΩ ΤΩΝ 5 ΕΤΩΝ ΑΣΦΑΛΙΣΤΑΣ ΤΗΝ ΠΡΟΣΒΑΣΗ ΣΕ ΑΥΤΗΝ. ΚΑΙ, ΚΑΤΑ ΤΗ ΔΙΑΡΚΕΙΑ ΤΗΣ ΚΟΛΥΜΒΗΣΗΣ, ΔΙΑΤΗΡΗΣΤΕ ΤΑ ΥΠΟ ΤΗ ΣΥΝΕΧΗ ΕΠΙΤΗΡΗΣΗ ΕΝΗΛΙΚΑ.

**ΣΗΜΕΙΩΣΗ:** ΚΑΤΑ ΤΗΝ ΕΓΚΑΤΑΣΤΑΣΗ ΤΗΣ ΠΙΣΙΝΑΣ, Η ΘΕΣΗ ΤΗΣ ΑΠΟΧΗΣ ΕΠΙΦΑΝΕΙΑΣ ΠΡΕΠΕΙ ΝΑ ΕΙΝΑΙ ΑΠΕΝΑΝΤΙ ΣΤΗΝ ΚΥΡΙΑ ΚΑΤΕΥΘΥΝΣΗ ΤΟΥ ΑΝΕΜΟΥ. Η ΤΟΠΟΘΕΤΗΣΗ ΤΗΣ ΣΚΑΛΑΣ ΜΕΣΑ ΣΤΗΝ ΠΙΣΙΝΑ ΘΑ ΕΙΝΑΙ ΜΑΚΡΙΑ ΑΠΟ ΤΗΝ ΑΠΟΧΗ ΕΠΙΦΑΝΕΙΑΣ.  
**ΠΑΡΑΚΑΛΟΥΜΕ ΔΙΑΒΑΣΤΕ ΠΡΟΣΕΚΤΙΚΑ ΚΑΙ ΦΥΛΑΞΤΕ ΓΙΑ ΜΕΛΛΟΝΤΙΚΗ ΑΝΑΦΟΡΑ**

**ΑΝΑΦΟΡΑ ΕΞΑΡΤΗΜΑΤΩΝ**





#### ΛΙΣΤΑ ΕΞΑΡΤΗΜΑΤΩΝ ΑΠΟΧΗΣ ΕΠΙΦΑΝΕΙΑΣ

ΑΡ.	ΟΝΟΜΑ	ΠΟΣΟΤΗΤΑ	ΑΡ. ΑΝΤΑΛΛΑΚΤΙΚΟΥ
001	ΕΞΑΡΤΗΜΑ ΕΥΚΑΜΠΤΟΥ ΣΩΛΗΝΑ	1	P6774ASS16
002	ΚΑΛΥΜΜΑ	1	P6991ASS16
003	ΦΙΛΤΡΟ	1	P6776ASS16
004	ΑΠΟΧΗ ΕΠΙΦΑΝΕΙΑΣ	1	P6777ASS16
005	ΥΔΑΤΟΦΡΑΚΤΗΣ	1	P6992ASS16
006	ΦΛΑΝΤΖΑ	1	P6993ASS16
007	ΠΛΑΚΑ ΠΡΟΣΩΠΗΣ	1	P6780ASS16
008	ΒΙΔΑ Μ5Χ22	12	/
009	ΣΤΕΓΑΝΩΤΙΚΟΣ ΔΑΚΤΥΛΙΟΣ O-RING	1	/
010	ΤΑΠΑ	1	P6813ASS16

#### ΑΠΑΙΤΟΥΜΕΝΑ ΕΡΓΑΛΕΙΑ (ΔΕΝ ΠΕΡΙΛΑΜΒΑΝΟΝΤΑΙ):



Η ΕΓΚΑΤΑΣΤΑΣΗ ΣΥΝΗΘΩΣ ΑΠΑΙΤΕΙ ΠΕΡΙΠΟΥ 3 ΩΡΕΣ ΜΕ 2-3 ΑΤΟΜΑ ΕΞΑΙΡΟΝΤΑΣ ΤΙΣ ΧΩΜΑΤΟΥΡΓΙΚΕΣ ΕΡΓΑΣΙΕΣ ΚΑΙ ΤΗΝ ΠΛΗΡΩΣΗ.

ΑΡ.	ΟΝΟΜΑ	ΥΛΙΚΟ	56586:56587		56369:56370	
			5.00 m x 3.60 m x 1.20 m (16'5" x 12' x 48")		6.10 m x 3.60 m x 1.20 m (20' x 12' x 48")	
			ΠΟΣ.	ΑΡ. ΑΝΤΑΛΛΑΚΤΙΚΟΥ	ΠΟΣ.	ΑΡ. ΑΝΤΑΛΛΑΚΤΙΚΟΥ
1	ΕΠΑΝΩ ΠΡΟΣΤΑΤΕΥΤΙΚΟ ΣΥΝΔΕΣΗΣ	PP	8	P6743ASS16	8	P6743ASS16
2	ΜΑΚΡΙΑ ΕΠΑΝΩ ΠΛΑΤΦΟΡΜΑ	ΕΠΙΚΑΛΥΜΜΕΝΟΣ ΧΑΛΥΒΑΣ	10	P6745ASS16	6	P6745ASS16
3	ΜΠΟΥΛΟΝΙ Μ6Χ11	ΑΝΟΞΕΙΔΩΤΟΣ ΧΑΛΥΒΑΣ 304	170	P6746ASS16	214	P6746ASS16
4	ΕΠΑΝΩ ΜΕΤΑΛΛΙΚΟ ΤΕΜΑΧΙΟ	ΧΑΛΥΒΑΣ	8	P6747ASS16	8	P6747ASS16
5	ΠΑΞΙΜΑΔΙ Μ6	ΑΝΟΞΕΙΔΩΤΟΣ ΧΑΛΥΒΑΣ 304	52	P6748ASS16	74	P6748ASS16
6	ΑΠΟΧΗ ΕΠΙΦΑΝΕΙΑΣ		1	P6762ASS16	1	P6762ASS16
7	ΠΡΟΣΑΡΜΟΓΕΑΣ ΓΙΑ ΕΥΚΑΜΠΤΟ ΣΩΛΗΝΑ		2	F6H202ASS16	2	F6H202ASS16
8	ΣΥΝΔΕΣΜΟΣ ΡΑΓΑΣ	PP	32	P6990ASS16	32	P6990ASS16
9	ΜΑΚΡΙΑ ΡΑΓΑ	PVC	20	P61236ASS16	12	P61237ASS16
10	ΕΠΕΝΔΥΣΗ	PVC	1	56286ASS18	1	56369ASS18
11	ΑΥΤΟΚΟΛΛΗΤΗ ΤΑΙΝΙΑ 3M		1	P6756ASS16	1	P6756ASS16
12	ΧΑΛΥΒΙΝΟ ΤΟΙΧΩΜΑ	ΕΠΙΚΑΛΥΜΜΕΝΟΣ ΧΑΛΥΒΑΣ	1	P61447ASS17	1	P61448ASS17
13	ΚΑΘΕΤΟ ΣΤΗΡΙΓΜΑ ΠΙΣΙΝΑΣ	ΕΠΙΚΑΛΥΜΜΕΝΟΣ ΧΑΛΥΒΑΣ	8	P6757ASS16	8	P6757ASS16
14	ΚΑΤΩ ΜΕΤΑΛΛΙΚΟ ΤΕΜΑΧΙΟ	ΧΑΛΥΒΑΣ	8	P6761ASS16	8	P6761ASS16
15	ΚΑΤΩ ΠΡΟΣΤΑΤΕΥΤΙΚΟ ΣΥΝΔΕΣΗΣ	PP	8	P6759ASS16	8	P6759ASS16
16	ΒΙΔΑ ST4X14	ΑΝΟΞΕΙΔΩΤΟΣ ΧΑΛΥΒΑΣ 304	22	P61491ASS17	28	P61491ASS17
17	ΒΑΛΒΙΔΑ ΕΛΕΓΧΟΥ		1	P6(H2)J510ASS18	1	P6(H2)J510ASS18
18	ΣΗΤΑ ΕΙΣΟΔΟΥ ΠΙΣΙΝΑΣ		1	P6(H2)I1317ASS18	1	P6(H2)I1317ASS18
19	ΠΛΕΥΡΙΚΟΣ ΕΠΑΝΩ ΣΥΝΔΕΣΜΟΣ	PP	2	P6800ASS16	4	P6800ASS16
20	ΠΛΕΥΡΙΚΟΣ ΚΑΤΩ ΣΥΝΔΕΣΜΟΣ	PP	2	P6801ASS16	4	P6801ASS16
21	ΠΛΕΥΡΙΚΟ ΕΠΑΝΩ ΜΕΤΑΛΛΙΚΟ ΤΕΜΑΧΙΟ	ΧΑΛΥΒΑΣ	2	P6802ASS16	4	P6802ASS16
22	ΠΛΕΥΡΙΚΟ ΚΑΤΩ ΜΕΤΑΛΛΙΚΟ ΤΕΜΑΧΙΟ	ΧΑΛΥΒΑΣ	2	P6826ASS16	4	P6826ASS16
23	ΧΑΛΥΒΙΝΟΣ ΙΜΑΝΤΑΣ	ΧΑΛΥΒΑΣ	1	P6810ASS16	2	P6810ASS16
24	ΚΑΛΥΜΜΑ ΧΑΛΥΒΙΝΟΥ ΙΜΑΝΤΑ	PVC	1	P6811ASS16	2	P6811ASS16
25	ΠΛΕΥΡΙΚΟ ΚΑΘΕΤΟ ΣΤΗΡΙΓΜΑ	ΕΠΙΚΑΛΥΜΜΕΝΟΣ ΧΑΛΥΒΑΣ	2	P61249ASS16	4	P61249ASS16
26	ΠΛΕΥΡΙΚΟ ΛΟΞΟ ΣΤΗΡΙΓΜΑ	ΕΠΙΚΑΛΥΜΜΕΝΟΣ ΧΑΛΥΒΑΣ	2	P61250ASS16	4	P61250ASS16
27	ΠΛΕΥΡΙΚΟ ΚΑΤΩ ΣΤΗΡΙΓΜΑ	ΧΑΛΥΒΑΣ	2	P6827ASS16	4	P6827ASS16
28	ΜΕΣΑ ΚΑΤΩ ΠΡΟΣΤΑΤΕΥΤΙΚΟ	PP	2	P6828ASS16	4	P6828ASS16
29	ΠΛΕΥΡΙΚΟ ΚΑΤΩ ΠΡΟΣΤΑΤΕΥΤΙΚΟ	PP	2	P61251ASS16	4	P61251ASS16
30	ΚΟΝΤΗ ΕΠΑΝΩ ΠΛΑΤΦΟΡΜΑ	ΕΠΙΚΑΛΥΜΜΕΝΟΣ ΧΑΛΥΒΑΣ	/	/	6	P61234ASS16
31	ΚΟΝΤΗ ΡΑΓΑ	PVC	/	/	12	P61238ASS16
32	ΚΛΙΠ	ΠΛΑΣΤΙΚΟ	20	/	20	/
33	ΠΡΟΣΤΑΣΙΑ ΑΠΟ ΑΦΡΟ	ΕΡΕ	8	P61473ASS16	8	P61473ASS16

## ΕΠΙΛΟΓΗ ΜΙΑΣ ΚΑΤΑΛΛΗΛΗΣ ΤΟΠΟΘΕΣΙΑΣ

### ΠΡΟΕΙΔΟΠΟΙΗΣΗ: Η ΟΡΙΖΟΝΤΙΩΣΗ ΕΙΝΑΙ ΕΞΑΙΡΕΤΙΚΑ ΣΗΜΑΝΤΙΚΗ.

ΕΠΙΛΕΞΤΕ ΠΡΟΣΕΚΤΙΚΑ ΤΗ ΘΕΣΗ ΓΙΑ ΤΗΝ ΚΑΙΝΟΥΡΙΑ ΣΑΣ ΠΙΣΙΝΑ. ΕΙΝΑΙ Η ΠΙΟ ΣΗΜΑΝΤΙΚΗ ΑΠΟΦΑΣΗ ΠΟΥ ΘΑ ΠΡΕΠΕΙ ΝΑ ΚΑΝΕΤΕ ΓΙΑ ΝΑ ΕΞΑΣΦΑΛΙΣΤΕ ΤΗΝ ΑΣΦΑΛΕΙΑ ΚΑΙ ΤΗΝ ΕΠΙΤΥΧΙΑ ΤΗΣ ΚΑΤΑΣΚΕΥΗΣ ΤΗΣ ΠΙΣΙΝΑΣ ΣΑΣ. ΜΙΑ ΚΑΚΩΣ ΕΠΙΛΕΓΜΕΝΗ ΤΟΠΟΘΕΣΙΑ ΘΑ ΜΠΟΡΟΥΣΕ ΝΑ ΠΡΟΚΑΛΕΣΕΙ ΠΡΟΒΛΗΜΑΤΑ ΣΤΟ ΜΕΛΛΟΝ ΠΟΥ ΘΑ ΜΠΟΡΟΥΣΑΝ ΝΑ ΠΡΟΚΑΛΕΣΟΥΝ ΤΡΑΥΜΑΤΙΣΜΟ, ΘΑΝΑΤΟ Η ΟΙΚΟΝΟΜΙΚΗ ΑΠΩΛΕΙΑ. ΔΙΑΒΑΣΤΕ ΠΡΟΣΕΚΤΙΚΑ ΤΗΝ ΠΑΡΑΚΑΤΩ ΛΙΣΤΑ ΕΛΕΓΧΟΥ ΚΑΤΑ ΤΗΝ ΕΠΙΛΟΓΗ ΤΗΣ ΘΕΣΗΣ ΠΟΥ ΘΑ ΣΤΗΣΕΤΕ ΤΗΝ ΠΙΣΙΝΑ ΣΑΣ.

### ΑΠΟΔΕΚΤΟ:

ΕΠΙΠΕΔΟ, ΟΡΙΖΟΝΤΙΟ, ΣΤΕΡΕΟ ΚΑΙ ΣΤΕΓΝΟ ΕΔΑΦΟΣ ΜΕ ΕΥΚΟΛΗ ΠΡΟΣΒΑΣΗ ΠΡΟΣ ΟΛΕΣ ΤΙΣ ΠΛΕΥΡΕΣ ΤΗΣ ΠΙΣΙΝΑΣ ΕΚΤΘΕΘΕΙΜΕΝΟ ΣΕ ΗΛΙΑΚΗ ΑΚΤΙΝΟΒΟΛΙΑ, ΚΑΤΑ ΠΡΟΤΙΜΗΣΗ ΤΟ ΠΡΩΙ ΑΣΦΑΛΗΣ ΠΡΟΣΒΑΣΗ ΣΕ ΗΛΕΚΤΡΙΚΟ ΡΕΥΜΑ ΓΙΑ ΛΕΙΤΟΥΡΓΙΑ ΤΗΣ ΑΝΤΛΙΑΣ ΦΙΛΤΡΟΥ ΚΑΙ ΑΛΛΩΝ ΑΞΕΣΟΥΑΡ ΤΗΣ ΠΙΣΙΝΑΣ ΕΥΚΟΛΗ ΠΡΟΣΒΑΣΗ ΣΕ ΜΙΑ ΠΑΡΟΧΗ ΝΕΡΟΥ ΠΡΟΣΤΑΤΕΥΜΕΝΗ ΑΠΟ ΤΟΝ ΑΝΕΜΟ

### ΜΗ ΑΠΟΔΕΚΤΕΣ ΕΠΙΛΟΓΕΣ:

ΕΠΙΚΛΙΝΕΣ, ΑΝΩΜΑΛΟ ΕΔΑΦΟΣ  
ΑΜΜΩΔΕΣ, ΒΡΑΧΩΔΕΣ Η ΥΓΡΟ ΕΔΑΦΟΣ  
ΚΟΝΤΑ ΣΕ ΞΥΛΙΝΕΣ ΚΑΤΑΣΚΕΥΕΣ (Π.Χ. ΠΕΡΓΟΛΕΣ ΚΑΙ ΚΑΤΑΣΤΡΩΜΑΤΑ)  
ΔΙΠΛΑ ΣΕ ΔΕΝΤΡΑ  
ΥΠΕΡΚΕΙΜΕΝΑ ΚΑΛΩΔΙΑ ΚΑΙ ΣΧΟΙΝΙΑ ΓΙΑ ΑΠΛΩΜΑ  
ΑΠΟΧΕΤΕΥΣΕΙΣ, ΗΛΕΚΤΡΙΚΑ ΚΑΛΩΔΙΑ Η ΑΓΩΓΟΙ ΦΥΣΙΚΟΥ ΑΕΡΙΟΥ ΚΑΤΩ ΑΠΟ ΤΟ ΧΩΡΟ  
ΚΑΚΗ Η ΜΙΚΡΗ ΑΠΟΣΤΡΑΓΓΙΣΗ  
ΘΕΣΕΙΣ ΜΕ ΥΨΗΛΟ ΚΙΝΔΥΝΟ ΠΛΗΜΜΥΡΩΝ  
ΣΥΝΘΗΚΕΣ ΙΣΧΥΡΟΥ ΑΝΕΜΟΥ

**ΣΗΜΕΙΩΣΗ:** ΑΦΑΙΡΕΣΤΕ ΤΙΣ ΕΞΑΡΣΕΙΣ ΤΟΥ ΕΔΑΦΟΥΣ ΠΑΡΑ ΝΑ ΣΥΜΠΛΗΡΩΣΕΤΕ ΤΙΣ ΒΥΘΙΣΕΙΣ ΤΟΥ ΕΔΑΦΟΥΣ. ΟΛΟ ΤΟ ΓΡΑΣΙΔΙ ΚΑΙ Η ΧΛΟΗ ΚΑΤΩ ΑΠΟ ΟΛΟΚΛΗΡΗ ΤΗΝ ΠΕΡΙΟΧΗ ΤΗΣ ΠΙΣΙΝΑΣ ΘΑ ΠΡΕΠΕΙ ΝΑ ΑΦΑΙΡΕΘΕΙ.

### ΣΥΝΑΡΜΟΛΟΓΗΣΗ ΠΙΣΙΝΑΣ

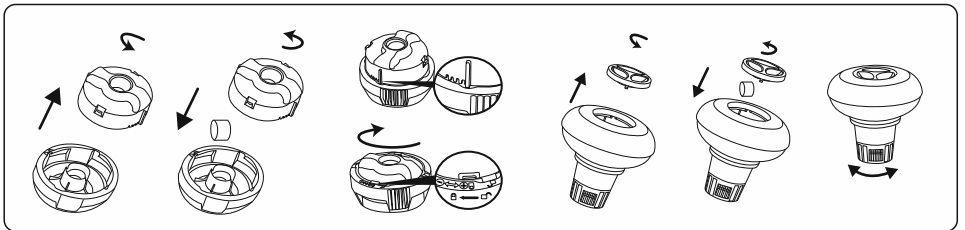
ΠΑΡΑΚΑΛΟΥΜΕ ΑΝΑΤΡΕΞΕΤΕ ΣΤΑ ΒΗΜΑΤΑ ΤΟΥ ΔΙΑΓΡΑΜΜΑΤΟΣ.

### ΣΥΝΤΗΡΗΣΗ ΠΙΣΙΝΑΣ

ΕΑΝ ΔΕΝ ΣΥΜΜΟΡΦΘΕΙΤΕ ΜΕ ΤΙΣ ΟΔΗΓΙΕΣ ΣΥΝΤΗΡΗΣΗΣ ΠΟΥ ΑΝΑΓΡΑΦΟΝΤΑΙ ΚΑΙ ΕΠΙΣΗΜΑΙΝΟΝΤΑΙ ΠΑΡΑΚΑΤΩ, Η ΥΓΕΙΑ ΣΑΣ ΜΠΟΡΕΙ ΝΑ ΤΘΕΙ ΣΕ ΚΙΝΔΥΝΟ, ΙΔΙΑΙΤΕΡΩΣ ΔΕ ΑΥΤΗ ΤΩΝ ΠΑΙΔΙΩΝ.

### ΧΡΗΣΗ ΧΗΜΙΚΩΝ ΤΑΜΠΛΕΤΩΝ (ΔΕΝ ΠΕΡΙΛΑΜΒΑΝΟΝΤΑΙ)

**ΣΗΜΕΙΩΣΗ:** ΤΟ "Chemconnect" (ΧΗΜΙΚΟΣ ΣΥΝΔΕΤΗΡΑΣ) Η ΤΟ "Chemical Floater" (ΧΗΜΙΚΟΣ ΠΛΩΤΗΡΑΣ) ΠΡΕΠΕΙ ΝΑ ΧΡΗΣΙΜΟΠΟΙΟΥΝΤΑΙ ΟΤΑΝ ΚΑΝΕΤΕ ΧΗΜΙΚΗ ΣΥΝΤΗΡΗΣΗ ΜΕ ΔΙΣΚΙΑ. ΤΟ ΣΤΟΙΧΕΙΟ ΠΟΥ ΑΓΟΡΑΣΑΤΕ ΜΠΟΡΕΙ ΝΑ ΜΗΝ ΠΕΡΙΛΑΜΒΑΝΕΙ ΚΑΝΕΝΑΝ ΑΠΟ ΑΥΤΟΥΣ ΤΟΥΣ ΔΙΑΝΕΜΤΕΣ. ΣΕ ΑΥΤΗ ΤΗ ΠΕΡΙΠΤΩΣΗ ΕΠΙΣΚΕΦΘΕΙΤΕ ΤΗΝ ΙΣΤΟΣΕΛΙΔΑ ΜΑΣ [www.bestwaycorp.com](http://www.bestwaycorp.com) Η ΤΟΝ ΠΛΗΣΙΕΣΤΕΡΟ ΑΝΤΙΠΡΟΣΩΠΟ ΤΗΣ ΠΙΣΙΝΑΣ.



**ΣΗΜΑΝΤΙΚΟ:** ΜΗΝ ΧΡΗΣΙΜΟΠΟΙΕΙΤΕ ΘΡΥΜΑΤΙΣΜΕΝΑ ΣΕ ΚΟΚΚΩΣ ΔΙΣΚΙΑ Η ΠΕΤΑΞΕΤΕ ΤΟ ΔΙΣΚΙΟ ΑΠΕΥΘΕΙΑΣ ΣΤΟ ΝΕΡΟ. ΟΙ ΧΗΜΙΚΕΣ ΟΥΣΙΕΣ ΜΠΟΡΕΙ ΝΑ ΕΝΑΠΟΤΕΘΟΥΝ ΣΤΟ ΚΑΤΩ ΜΕΡΟΣ, ΝΑ ΒΛΑΨΟΥΝ ΤΟ ΥΛΙΚΟ ΚΑΙ ΝΑ ΑΠΟΧΡΩΜΑΤΙΣΟΥΝ ΤΟ PVC.

### ΧΡΗΣΗ ΧΗΜΙΚΟΥ ΥΓΡΟΥ (ΔΕΝ ΠΕΡΙΛΑΜΒΑΝΕΤΑΙ)

**ΣΗΜΑΝΤΙΚΟ:** ΠΡΟΣΘΕΣΤΕ ΧΗΜΙΚΟ ΥΓΡΟ ΣΕ ΜΙΚΡΕΣ ΔΟΣΕΙΣ ΚΑΙ ΣΤΟ ΚΕΝΤΡΟ ΤΗΣ ΠΙΣΙΝΑΣ ΟΣΤΕ ΝΑ ΑΠΟΦΥΓΕΤΕ ΤΗΝ ΑΜΕΣΗ ΕΠΑΦΗ ΤΩΝ ΧΗΜΙΚΩΝ ΟΥΣΙΩΝ ΜΕ ΤΗΝ ΕΠΙΦΑΝΕΙΑ PVC. Η ΑΜΕΣΗ ΕΠΑΦΗ ΜΠΟΡΕΙ ΝΑ ΚΑΤΑΣΤΡΕΨΕΙ ΤΟ ΥΛΙΚΟ ΚΑΙ ΝΑ ΑΠΟΧΡΩΜΑΤΙΣΕΙ ΤΗΝ ΕΠΙΦΑΝΕΙΑ.

**ΣΗΜΕΙΩΣΗ:** ΑΦΑΙΡΕΣΤΕ ΤΟΝ ΧΗΜΙΚΟ ΔΙΑΝΟΜΕΑ ΑΠΟ ΤΗΝ ΠΙΣΙΝΑ, ΟΤΑΝ Η ΠΙΣΙΝΑ ΕΙΝΑΙ ΣΕ ΧΡΗΣΗ.

**ΣΗΜΑΝΤΙΚΟ:** ΜΕΤΑ ΤΗΝ ΕΚΤΕΛΕΣΗ ΤΗΣ ΧΗΜΙΚΗΣ ΣΥΝΤΗΡΗΣΗΣ ΚΑΙ ΠΡΙΝ ΤΗ ΧΡΗΣΗ ΤΗΣ ΠΙΣΙΝΑΣ, ΧΡΗΣΙΜΟΠΟΙΗΣΤΕ ΕΝΑ ΚΙΤ ΔΟΚΙΜΗΣ (ΔΕΝ ΠΕΡΙΛΑΜΒΑΝΕΤΑΙ) ΟΣΤΕ ΝΑ ΔΟΚΙΜΑΣΕΤΕ ΤΗ ΧΗΜΕΙΑ ΤΟΥ ΝΕΡΟΥ. ΣΑΣ ΣΥΝΙΣΤΟΥΜΕ ΝΑ ΔΙΑΤΗΡΕΙΤΕ ΤΟ ΝΕΡΟ ΣΥΜΦΩΝΑ ΜΕ ΤΟΝ ΠΑΡΑΚΑΤΩ ΠΙΝΑΚΑ.

ΠΑΡΑΜΕΤΡΟΙ	ΤΙΜΕΣ
ΔΙΑΥΓΕΙΑ ΝΕΡΟΥ	ΚΑΘΑΡΗ ΘΕΑ ΤΟΥ ΠΥΘΜΕΝΑ ΤΗΣ ΠΙΣΙΝΑΣ
ΧΡΩΜΑ ΝΕΡΟΥ	ΔΕΝ ΠΡΕΠΕΙ ΝΑ ΠΑΡΑΤΗΡΕΙΤΑΙ ΧΡΩΜΑ
ΘΟΛΟΤΗΤΑ ΣΕ FNU / NTU	ΜΕΓΙΣΤΟ 1,5 (ΚΑΤΑ ΠΡΟΤΙΜΗΣΗ ΜΙΚΡΟΤΕΡΟ ΑΠΟ 0,5)
ΣΥΓΚΕΝΤΡΩΣΗ ΝΙΤΡΙΚΟΥ ΑΛΑΤΟΣ ΜΕΓΑΛΥΤΕΡΗ ΑΠΟ ΕΚΕΙΝΗ ΤΗΣ ΠΛΗΡΩΣΗΣ ΜΕ ΝΕΡΟ ΣΕ mg/l	ΜΕΓΙΣΤΟ 20
ΟΛΙΚΟΣ ΟΡΓΑΝΙΚΟΣ ΑΝΘΡΑΚΑΣ (TOC) ΣΕ mg/l	ΜΕΓΙΣΤΟ 4,0
ΔΥΝΑΜΙΚΗ ΟΞΕΙΔΩΣΑΝΑΓΩΓΗ ΕΝΑΝΤΙ Ag/AgCl 3.5 ΜΕΤΡΑ ΚCl ΣΕ mV	ΕΛΑΧΙΣΤΟ 650
ΤΙΜΗ pH	6,8 ΕΩΣ 7,6
ΕΛΕΥΘΕΡΟ ΕΝΕΡΓΟ ΧΛΩΡΙΟ (ΧΩΡΙΣ ΚΥΑΝΟΥΡΙΚΟ ΟΞΥ) ΣΕ mg/l	0,3 ΕΩΣ 1,5
ΧΡΗΣΙΜΟΠΟΙΕΙΤΑΙ ΕΛΕΥΘΕΡΟ ΧΛΩΡΙΟ ΣΕ ΣΥΝΔΥΑΣΜΟ ΜΕ ΚΥΑΝΟΥΡΙΚΟ ΟΞΥ ΣΕ mg/l	1,0 ΕΩΣ 3,0
ΚΥΑΝΟΥΡΙΚΟ ΟΞΥ ΣΕ mg/l	ΜΕΓΙΣΤΟ 100
ΣΥΝΔΥΑΣΜΕΝΟ ΧΛΩΡΙΟ ΣΕ mg/l	ΜΕΓΙΣΤΟ 0,5 (ΚΑΤΑ ΠΡΟΤΙΜΗΣΗ ΚΟΝΤΑ ΣΤΟ 0,0 mg/l)

**ΣΗΜΕΙΩΣΗ:** ΖΗΜΙΕΣ ΠΟΥ ΠΡΟΚΥΠΤΟΥΝ ΑΠΟ ΧΗΜΙΚΗ ΑΝΙΣΟΡΡΟΠΙΑ ΔΕΝ ΚΑΛΥΠΤΟΝΤΑΙ ΑΠΟ ΤΗΝ ΕΓΓΥΗΣ. ΤΑ ΧΗΜΙΚΑ ΠΙΣΙΝΑΣ ΕΙΝΑΙ ΠΙΘΑΝΟ ΤΟΞΙΚΑ ΚΑΙ Γ' ΑΥΤΟ ΘΑ ΠΡΕΠΕΙ ΝΑ ΧΕΙΡΙΖΟΝΤΑΙ ΜΕ ΠΡΟΣΟΧΗ. ΥΠΑΡΧΟΥΝ ΣΟΒΑΡΟΙ ΚΙΝΔΥΝΟΙ ΓΙΑ ΤΗΝ ΥΓΕΙΑ ΑΠΟ ΧΗΜΙΚΟΥΣ ΑΤΜΟΥΣ ΚΑΙ ΑΠΟ ΤΗΝ ΛΑΝΘΑΣΜΕΝΗ ΣΗΜΑΝΣΗ ΚΑΙ ΑΠΟΘΗΚΕΥΣΗ ΤΩΝ ΔΟΧΕΙΩΝ ΜΕ ΤΑ ΧΗΜΙΚΑ. ΠΑΡΑΚΑΛΟΥΜΕ ΝΑ ΣΥΜΒΟΥΛΕΥΘΕΙΤΕ ΤΟ ΤΟΠΙΚΟ ΚΑΤΑΣΤΗΜΑ ΠΩΛΗΣΗΣ ΥΛΙΚΩΝ ΠΙΣΙΝΑΣ ΓΙΑ ΠΕΡΙΣΣΟΤΕΡΕΣ ΠΛΗΡΟΦΟΡΙΕΣ ΣΧΕΤΙΚΑ ΜΕ ΤΗΝ ΧΗΜΙΚΗ ΣΥΝΤΗΡΗΣΗ. ΔΩΣΤΕ ΠΡΟΣΟΧΗ ΣΤΙΣ ΟΔΗΓΙΕΣ ΤΟΥ ΚΑΤΑΣΚΕΥΑΣΤΗ ΤΩΝ ΧΗΜΙΚΩΝ. ΖΗΜΙΕΣ ΣΤΗΝ ΠΙΣΙΝΑ ΠΟΥ ΠΡΟΚΥΠΤΟΥΝ ΑΠΟ ΛΑΝΘΑΣΜΕΝΗ ΧΡΗΣΗ ΤΩΝ ΧΗΜΙΚΩΝ ΚΑΙ ΚΑΚΗ ΔΙΑΧΕΙΡΙΣΗ ΤΟΥ ΝΕΡΟΥ ΤΗΣ ΠΙΣΙΝΑΣ ΔΕΝ ΚΑΛΥΠΤΟΝΤΑΙ ΑΠΟ ΤΗΝ ΕΓΓΥΗΣ.

**ΣΗΜΑΝΤΙΚΟ:** Η ΥΠΕΡΒΟΛΙΚΗ ΧΡΗΣΗ ΧΗΜΙΚΩΝ ΟΥΣΙΩΝ ΜΠΟΡΕΙ ΝΑ ΑΠΟΧΡΩΜΑΤΙΣΕΙ ΤΗΝ ΕΚΤΥΠΩΣΗ ΚΑΙ ΟΛΑ ΤΑ ΣΧΕΤΙΚΑ ΣΗΜΕΙΑ ΤΟΥ ΥΛΙΚΟΥ ΤΗΣ ΠΙΣΙΝΑΣ. ΜΠΟΡΕΙ ΕΠΙΣΗΣ ΝΑ ΚΑΤΑΣΤΡΕΦΕΙ ΤΗ ΔΟΜΗ ΤΗΣ ΕΠΙΕΝΔΥΣΗΣ ΤΗΣ ΠΙΣΙΝΑΣ.

#### ΓΙΑ ΝΑ ΔΙΑΤΗΡΕΙΤΕ ΤΗΝ ΠΙΣΙΝΑ ΚΑΘΑΡΗ:

- ΕΠΙΚΟΙΝΩΝΗΣΤΕ ΜΕ ΤΟ ΤΟΠΙΚΟ ΚΑΤΑΣΤΗΜΑ ΤΗΣ ΠΙΣΙΝΑΣ ΓΙΑ ΣΥΜΒΟΥΛΕΣ ΚΑΙ ΑΓΟΡΑ ΧΗΜΙΚΩΝ ΚΑΙ ΚΙΤ pH. ΕΝΑΣ ΑΠΟ ΤΟΥΣ ΣΗΜΑΝΤΙΚΟΤΕΡΟΥΣ ΠΑΡΑΓΟΝΤΕΣ ΓΙΑ ΤΗΝ ΑΥΞΗΣΗ ΤΗΣ ΔΙΑΡΚΕΙΑΣ ΖΩΗΣ ΤΗΣ ΕΠΕΝΔΥΣΗΣ ΕΙΝΑΙ ΝΑ ΔΙΑΤΗΡΕΙΤΑΙ ΣΥΝΕΧΩΣ ΚΑΘΑΡΟ ΚΑΙ ΥΓΙΕΙΝΟ ΝΕΡΟ. ΑΚΟΛΟΥΘΗΣΤΕ ΑΥΣΤΗΡΑ ΤΙΣ ΣΧΕΤΙΚΕΣ ΟΔΗΓΙΕΣ ΑΠΟ ΕΠΙΤΕΛΜΑΤΙΕΣ ΤΕΧΝΙΚΟΥΣ ΓΙΑ ΤΗΝ ΕΠΕΞΕΡΓΑΣΙΑ ΤΟΥ ΝΕΡΟΥ ΜΕΣΩ ΤΗΣ ΧΡΗΣΗΣ ΧΗΜΙΚΩΝ ΟΥΣΙΩΝ.
- ΤΟΠΟΘΕΤΗΣΤΕ ΕΝΑΝ ΚΑΔΟ ΜΕ ΝΕΡΟ ΔΙΠΛΑ ΣΤΗΝ ΠΙΣΙΝΑ ΟΣΤΕ ΟΙ ΧΡΗΣΤΕΣ ΝΑ ΚΑΘΑΡΙΖΟΥΝ ΤΑ ΠΟΔΙΑ ΤΟΥΣ ΠΡΙΝ ΜΠΟΥΝ ΣΤΗΝ ΠΙΣΙΝΑ.
- ΚΑΛΥΨΤΕ ΕΝΤΕΛΩΣ ΤΗΝ ΠΙΣΙΝΑ ΟΤΑΝ ΔΕΝ ΤΗ ΧΡΗΣΙΜΟΠΟΙΕΙΤΕ.
- ΑΔΕΙΑΖΤΕ ΤΑΚΤΙΚΑ ΤΗΝ ΠΙΣΙΝΑ ΟΣΤΕ ΝΑ ΑΠΟΦΥΓΕΤΕ ΤΗ ΡΥΠΑΝΣΗ.
- ΕΛΕΓΧΤΕ ΚΑΙ ΚΑΘΑΡΙΖΤΕ ΤΑΚΤΙΚΑ ΤΗΝ ΚΑΣΕΤΑ ΦΙΛΤΡΟΥ.
- ΚΑΘΑΡΙΣΤΕ ΑΠΛΑ ΑΠΟ ΚΑΤΩ ΕΩΣ ΤΟΝ ΕΠΑΝΩ ΔΑΚΤΥΛΙΟ ΜΕ ΕΝΑ ΚΑΘΑΡΟ ΠΑΝΙ ΑΠΟΜΑΚΡΥΝΟΝΤΑΣ ΟΠΟΙΟΔΗΠΟΤΕ ΞΕΝΟ ΣΩΜΑ ΥΠΑΡΧΕΙ.
- ΣΕ ΠΕΡΙΠΤΩΣΗ ΒΡΟΧΗΣ, ΝΑ ΕΛΕΓΞΤΕ ΠΡΟΣΕΚΤΙΚΑ ΟΤΙ Η ΣΤΑΘΜΗ ΤΟΥ ΝΕΡΟΥ ΔΕΝ ΕΙΝΑΙ ΥΨΗΛΟΤΕΡΗ ΑΠΟ ΤΗΝ ΑΝΑΜΕΝΟΜΕΝΗ. ΕΑΝ ΕΙΝΑΙ, ΤΟΤΕ ΠΡΕΠΕΙ ΝΑ ΑΔΕΙΑΖΕΤΕ ΤΟ ΠΛΕΟΝΑΖΩΝ ΝΕΡΟ.
- ΕΑΝ ΒΡΕΧΕΙ, ΕΛΕΓΞΤΕ ΟΤΙ Η ΣΤΑΘΜΗ ΤΟΥ ΝΕΡΟΥ ΔΕΝ ΕΙΝΑΙ ΥΨΗΛΟΤΕΡΗ ΑΠΟ ΤΟ ΚΑΘΟΡΙΣΜΕΝΟ ΕΠΙΠΕΔΟ. ΕΑΝ ΤΟ ΝΕΡΟ ΥΠΕΡΒΕΙ ΤΟ ΚΑΘΟΡΙΣΜΕΝΟ ΕΠΙΠΕΔΟ, ΑΠΟΣΤΡΑΓΓΙΣΤΕ ΤΟ ΠΛΕΟΝΑΖΩΝ ΟΣΤΕ Η ΠΙΣΙΝΑ ΝΑ ΕΧΕΙ ΝΕΡΟ ΜΕΧΡΙ ΤΟ ΚΑΘΟΡΙΣΜΕΝΟ ΕΠΙΠΕΔΟ.

#### Η ΣΩΣΤΗ ΣΥΝΤΗΡΗΣΗ ΜΠΟΡΕΙ ΝΑ ΜΕΓΙΣΤΟΠΟΙΗΣΕΙ ΤΗ ΔΙΑΡΚΕΙΑ ΖΩΗΣ ΤΗΣ ΠΙΣΙΝΑΣ ΣΑΣ.

ΚΑΤΑ ΤΗ ΔΙΑΡΚΕΙΑ ΤΗΣ ΧΡΗΣΗΣ ΤΗΣ ΠΙΣΙΝΑΣ, ΤΟ ΣΥΣΤΗΜΑ ΦΙΛΤΡΑΡΙΣΜΑΤΟΣ ΠΡΕΠΕΙ ΝΑ ΤΙΘΕΤΑΙ ΥΠΟΧΡΕΩΤΙΚΑ ΣΕ ΛΕΙΤΟΥΡΓΙΑ ΚΑΘΕ ΗΜΕΡΑ, ΑΡΚΕΤΟΣ ΧΡΟΝΟΣ ΟΣΤΕ ΝΑ ΕΞΑΣΦΑΛΙΣΕΙ ΤΟΥΛΑΧΙΣΤΟΝ ΜΙΑ ΠΛΗΡΗΣ ΑΝΑΝΕΩΣΗ ΤΟΥ ΟΓΚΟΥ ΤΟΥ ΝΕΡΟΥ.

**ΣΗΜΕΙΩΣΗ:** Η ΑΝΤΛΙΑ ΧΡΗΣΙΜΟΠΟΙΕΙΤΑΙ ΓΙΑ ΝΑ ΚΥΚΛΟΦΟΡΕΙ ΤΟ ΝΕΡΟ ΚΑΙ ΓΙΑ ΝΑ ΦΙΛΤΡΑΡΕΙ ΤΑ ΜΙΚΡΑ ΣΩΜΑΤΙΔΙΑ. ΓΙΑ ΝΑ ΔΙΑΤΗΡΗΣΕΤΕ ΤΟ ΝΕΡΟ ΤΗΣ ΠΙΣΙΝΑΣ ΚΑΘΑΡΟ ΚΑΙ ΥΓΙΕΙΝΟ, ΠΡΕΠΕΙ ΝΑ ΠΡΟΣΘΕΣΕΤΕ ΧΗΜΙΚΑ.

#### ΕΠΙΣΚΕΥΗ

ΣΕ ΠΕΡΙΠΤΩΣΗ ΔΙΑΡΡΟΗΣ, ΕΠΙΔΙΟΡΘΩΣΤΕ ΤΗΝ ΠΙΣΙΝΑ ΧΡΗΣΙΜΟΠΟΙΩΝΤΑΣ ΤΟ ΥΠΟΒΡΥΧΙΟ ΑΥΤΟΚΟΛΛΗΤΟ ΕΠΙΡΑΜΜΑ ΕΠΙΣΚΕΥΗΣ ΠΟΥ ΠΑΡΕΧΕΤΑΙ. ΜΠΟΡΕΙΤΕ ΝΑ ΒΡΕΙΤΕ ΤΙΣ ΟΔΗΓΙΕΣ ΣΤΟ ΠΕΔΙΟ «ΕΥΧΥΝΕΣ ΕΡΩΤΗΣΕΙΣ» ΣΤΗΝ ΕΝΟΤΗΤΑ ΥΠΟΣΤΗΡΙΞΗΣ ΤΗΣ ΙΣΤΟΣΕΛΙΔΑΣ MA2 , [www.bestwaycorp.com](http://www.bestwaycorp.com).

#### ΦΥΛΑΞΗ

- ΠΑΡΑΚΑΛΟΥΜΕ ΑΦΑΙΡΕΣΤΕ ΟΛΑ ΤΑ ΕΞΑΡΤΗΜΑΤΑ ΚΑΙ ΑΝΤΑΛΛΑΚΤΙΚΑ ΑΠΟ ΤΗΝ ΠΙΣΙΝΑ ΚΑΙ ΑΠΟΘΗΚΕΥΣΤΕ ΤΑ ΚΑΘΑΡΑ ΚΑΙ ΣΤΕΓΝΑ.
- ΑΠΟΘΗΚΕΥΣΤΕ ΤΗΝ ΕΠΕΝΔΥΣΗ ΚΑΙ ΤΑ ΕΞΕΣΤΡΑΨΕΤΕ ΣΤΕΓΝΟ ΧΩΡΟ ΜΕ ΜΙΑ ΜΕΤΡΙΑ ΘΕΡΜΟΚΡΑΣΙΑ ΜΕΤΑΞΥ 5°C ΚΑΙ 38°C.
- ΚΑΤΑ ΤΗ ΒΡΟΧΕΡΗ ΠΕΡΙΟΔΟ, Η ΠΙΣΙΝΑ ΚΑΙ ΤΑ ΕΞΑΡΤΗΜΑΤΑ ΘΑ ΠΡΕΠΕΙ ΕΠΙΣΗΣ ΝΑ ΑΠΟΘΗΚΕΥΟΝΤΑΙ ΣΥΜΦΩΝΑ ΜΕ ΤΙΣ ΠΑΡΑΠΛΑΝΩ ΟΔΗΓΙΕΣ.
- Η ΛΑΝΘΑΣΜΕΝΗ ΑΠΟΣΤΡΑΓΓΙΣΗ ΤΗΣ ΠΙΣΙΝΑΣ ΜΠΟΡΕΙ ΝΑ ΠΡΟΚΑΛΕΣΕΙ ΣΟΒΑΡΟ ΠΡΟΣΩΠΙΚΟ ΤΡΑΥΜΑΤΙΣΜΟ ΚΑΙ/Η ΖΗΜΙΑ ΣΕ ΠΡΟΣΩΠΙΚΗ ΠΕΡΙΟΥΣΙΑ.
- ΣΑΣ ΣΥΝΙΣΤΟΥΜΕ Η ΠΙΣΙΝΑ ΝΑ ΑΠΟΣΥΝΑΡΜΟΛΟΓΕΙΤΑΙ ΚΑΤΑ ΤΗ ΔΙΑΡΚΕΙΑ ΤΗΣ ΕΚΤΟΣ ΧΡΗΣΗΣ ΠΕΡΙΟΔΟΥ (ΧΕΙΜΕΡΙΝΟΙ ΜΗΝΕΣ), ΑΠΟΘΗΚΕΥΣΤΕ ΣΕ ΞΗΡΟ ΧΩΡΟ ΜΑΚΡΙΑ ΑΠΟ ΠΙΔΙΑ.

ΕΑΝ ΔΕΝ ΘΕΛΕΤΕ ΝΑ ΑΠΟΣΥΝΑΡΜΟΛΟΓΗΣΕΤΕ ΤΗΝ ΠΙΣΙΝΑ ΓΙΑ ΤΟ ΧΕΙΜΩΝΑ, ΑΚΟΛΟΥΘΗΣΤΕ ΤΙΣ ΠΑΡΑΚΑΤΩ ΟΔΗΓΙΕΣ:

**ΣΗΜΑΝΤΙΚΟ:** ΜΗΝ ΑΠΟΣΤΡΑΓΓΙΖΕΤΕ ΟΛΟ ΤΟ ΝΕΡΟ ΤΗΣ ΠΙΣΙΝΑΣ. ΕΑΝ ΤΟ ΚΑΝΕΤΕ ΑΥΤΟ, Η ΠΙΣΙΝΑ ΜΠΟΡΕΙ ΝΑ ΥΠΟΣΤΕΙ ΖΗΜΙΑ ΑΠΟ ΙΣΧΥΡΟ ΑΝΕΜΟ.

ΑΠΟΣΤΡΑΓΓΙΣΤΕ ΤΟ ΝΕΡΟ ΜΕΧΡΙ ΤΑ 10CM ΚΑΤΩ ΑΠΟ ΤΗ ΒΑΒΙΔΙΑ ΕΙΣΟΔΟΥ ΣΤΟ ΤΟΙΧΩΜΑ ΤΗΣ ΠΙΣΙΝΑΣ.

- ΑΠΟΣΤΡΑΓΓΙΣΤΕ ΤΟ ΝΕΡΟ ΜΕΧΡΙ ΤΑ 10CM ΚΑΤΩ ΑΠΟ ΤΗ ΒΑΒΙΔΙΑ ΕΙΣΟΔΟΥ ΣΤΟ ΤΟΙΧΩΜΑ ΤΗΣ ΠΙΣΙΝΑΣ. ΜΠΟΡΕΙΤΕ ΝΑ ΧΡΗΣΙΜΟΠΟΙΗΣΕΤΕ ΜΙΑ ΑΝΤΛΙΑ Η ΕΝΑ ΛΑΣΤΙΧΟ ΚΗΠΟΥ (ΔΙΑΓΡΑΜΜΑ 28.29).
- ΕΠΕΞΕΡΓΑΣΤΕΙΤΕ ΤΟ ΝΕΡΟ ΤΗΣ ΠΙΣΙΝΑΣ ΜΕ ΕΝΑ ΚΑΤΑΛΛΗΛΟ ΧΗΜΙΚΟ ΠΡΟΪΟΝ.
- ΑΦΑΙΡΕΣΤΕ ΤΟ ΣΥΣΤΗΜΑ ΦΙΛΤΡΑΡΙΣΜΑΤΟΣ ΑΠΟ ΤΗΝ ΠΙΣΙΝΑ. ΜΠΟΡΕΙΤΕ ΝΑ ΑΦΗΣΕΤΕ ΤΙΣ ΕΙΣΟΔΟΥΣ/ΕΞΟΔΟΥΣ ΣΥΝΔΕΔΕΜΕΝΕΣ ΣΤΗΝ ΠΙΣΙΝΑ.
- ΕΠΙΣΗΣ ΑΦΑΙΡΕΣΤΕ ΟΠΟΙΟΔΗΠΟΤΕ ΆΛΛΑ ΠΑΡΕΛΚΟΜΕΝΑ ΤΗΣ ΠΙΣΙΝΑΣ ΚΑΙ ΑΠΟΘΗΚΕΥΣΤΕ ΤΑ ΣΕ ΣΤΕΓΝΟ ΚΑΙ ΑΦΡΟΞΕΡΟ ΜΕΡΟΣ.
- ΠΡΟΣΤΑΤΕΨΤΕ ΤΗΝ ΠΙΣΙΝΑ ΣΚΕΠΑΖΟΝΤΑΣ ΤΗΝ ΜΕ ΤΟ ΚΑΛΥΜΜΑ ΤΗΣ.

ΕΑΝ ΘΕΛΕΤΕ ΝΑ ΑΠΟΣΥΝΑΡΜΟΛΟΓΗΣΕΤΕ ΤΗΝ ΠΙΣΙΝΑ ΤΟ ΧΕΙΜΩΝΑ, ΑΚΟΛΟΥΘΗΣΤΕ ΤΙΣ ΠΑΡΑΚΑΤΩ ΟΔΗΓΙΕΣ:

1. ΑΠΟΣΤΡΑΓΓΙΣΤΕ ΤΗΝ ΠΙΣΙΝΑ ΜΕ ΕΝΑ ΛΑΣΤΙΧΟ ΚΗΠΟΥ, Η ΧΡΗΣΙΜΟΠΟΙΗΣΕΤΕ ΜΙΑ ΑΝΤΛΙΑ ΑΠΟΣΤΡΑΓΓΙΣΗΣ ΓΙΑ ΝΑ ΑΔΕΙΑΖΕΤΕ ΤΗΝ ΠΙΣΙΝΑ (ΔΙΑΓΡΑΜΜΑ 28).

2. ΚΑΘΑΡΙΣΤΕ ΟΛΑ ΤΑ ΕΞΑΡΤΗΜΑΤΑ ΤΗΣ ΠΙΣΙΝΑΣ ΜΕ ΕΝΑ ΣΦΟΥΓΓΑΡΙ ΚΑΙ ΣΑΠΟΥΝΙ ΜΕ ΟΥΔΕΤΕΡΟ pH. ΣΤΕΓΝΩΣΤΕ ΤΑ ΚΑΙ ΑΠΟΘΗΚΕΥΣΤΕ ΤΑ ΣΕ ΕΝΑ ΣΤΕΓΝΟ ΚΑΙ ΚΑΘΑΡΟ ΧΩΡΟ.

# ОВАЛЬНЫЕ БАСЕЙНЫ HYDRUM™ РУКОВОДСТВО ПОЛЬЗОВАТЕЛЯ



Посетите канал Bestway на YouTube

## ⚠ ВНИМАНИЕ

Внимательно прочитайте информацию в руководстве пользователя, убедитесь в том, что вам все понятно, и следуйте указаниям при установке и использовании бассейна. Эти предостережения, инструкции, меры предосторожности предупреждают о некоторых распространенных рисках отдыха и игр в воде, но не покрывают всех риски и все возможные опасности. Будьте осторожны, рассудительны и разумны при отдыхе и играх в воде. Сохраните эту брошюру для дальнейшего использования в справочных целях.

### Безопасность пользователей, не умеющих плавать

- Компетентный взрослый должен постоянно внимательно и активно присматривать за детьми, которые не умеют плавать или плавают не очень хорошо (помните, что наибольшему риску утонуть подвержены дети до пяти лет).
- Каждый раз при использовании бассейна поручайте наблюдение за детьми компетентному взрослому.
- Дети, которые не умеют плавать или плавают не очень хорошо, должны использовать специальное защитное снаряжение при использовании бассейна.
- Когда бассейн не используется, или когда за ним никто не присматривает, уберите все игрушки из бассейна и прилегающей зоны, чтобы дети не могли заинтересоваться ими и приблизиться к бассейну.

### Устройства, обеспечивающие безопасность

- Чтобы предотвратить риск утопления детей, рекомендуется закрыть доступ в бассейн защитным ограждением. Чтобы помешать детям карабкаться на впускной и выпускной клапаны, рекомендуется установить ограждение (и заблокировать все окна и двери, если они имеются), чтобы предотвратить доступ в бассейн без разрешения.
- Ограждения, покрытия бассейна, сигнализация в бассейне и прочие защитные устройства полезны, но они не могут заменить постоянное и компетентное наблюдение, осуществляемое взрослыми.

### Оборудование, обеспечивающее безопасность

- Рекомендуется хранить спасательное оборудование (напр., спасательный круг) в непосредственной близости от бассейна.
- Держите работающий телефон и список номеров телефонов экстренной связи в непосредственной близости от бассейна.

### Безопасное использование бассейна

- Посоветуйте всем пользователям, особенно детям, научиться плавать.
- Изучите базовые техники экстренной первой помощи (сердечно-легочная реанимация - СЛР) и регулярно освежайте ваши знания. Если произойдет несчастный случай, вы сможете спасти жизнь человека.
- Объясните все пользователям бассейна, особенно детям, что делать в случае чрезвычайного происшествия.
- Никогда не ныряйте на мелководье. Это может привести к серьезным травмам или смерти.
- Не используйте бассейн, если вы выпили алкогольный напиток или приняли лекарство, которое может негативно повлиять на вашу способность безопасно пользоваться бассейном.
- Если вы используете покрытие бассейна, полностью уберите его с поверхности воды перед тем, как использовать бассейн.
- Защищайте пользователей бассейна от болезней, которые могут передаваться через воду, регулярно очищая воду и следуя правилам гигиены. Следуйте инструкциям по очистке воды, содержащимся в этом руководстве пользователя.



- храните химикаты (напр., для очистки воды, чистящие и дезинфицирующие средства) в недоступном для детей месте.
- Используйте сигналы, как указано ниже. Сигналы должны быть установлены на видном месте за 2 м. от бассейна.
- В воде дети должны находиться под присмотром взрослых. Нырять запрещается.
- Съемные лестницы должны быть установлены на ровной поверхности.
- Независимо от материалов, из которых изготовлен бассейн, регулярно проверяйте доступные поверхности, чтобы избежать риска травм.
- Регулярно проверяйте болты и винты; удаляйте обломки и острые углы, чтобы избежать риска травм.

**- ВНИМАНИЕ:** Не оставляйте бассейн со слитой водой на улице. Пустой бассейн может деформироваться и/или опрокинуться от ветра.

- Если у вас фильтрующий насос, см. инструкции в руководстве пользователя насоса.

**ВНИМАНИЕ!** Запрещается пользоваться насосом, когда люди находятся в бассейне!

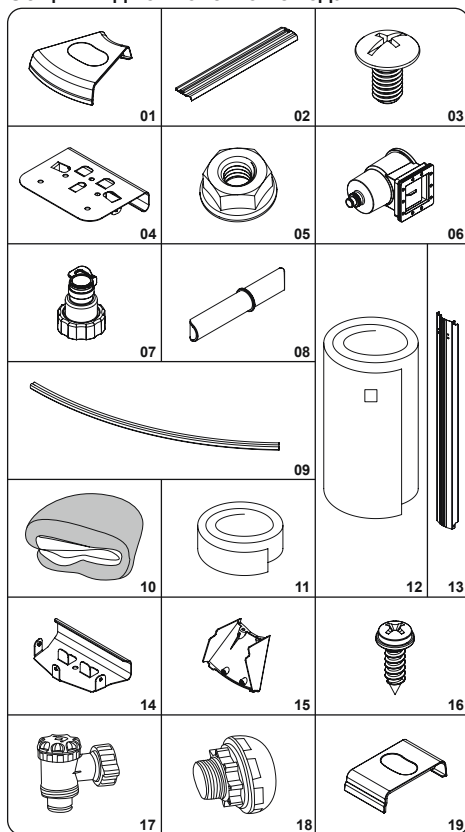
- Если у вас лестница, см. инструкции в руководстве пользователя лестницы.

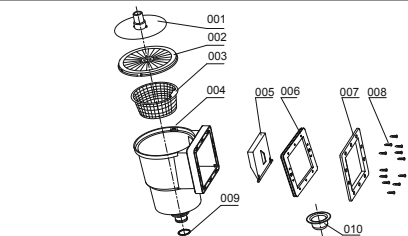
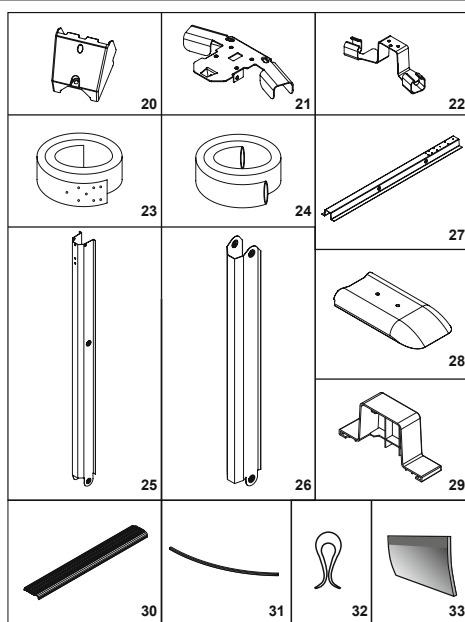
**ВНИМАНИЕ!** При пользовании плавательным бассейном необходимо соблюдать инструкции по технике безопасности, содержащиеся в руководстве по эксплуатации и обслуживанию. Чтобы избежать опасности утопления или других серьезных травм, внимательно следите за тем, чтобы дети до 5 лет не попали в бассейн без разрешения. Оборудуйте доступ к бассейну защитными устройствами и постоянно держите детей под наблюдением взрослых во время использования бассейна.

**ПРИМЕЧАНИЕ:** При установке бассейна скиммер следует расположить так, чтобы основные ветры дули в его сторону. Лестница бассейна должна быть расположена на удалении от скиммера.

**Внимательно изучите инструкции и сохраните их для дальнейшего использования в справочных целях**

## Общий вид компонентов с кодами





#### СПИСОК ЧАСТЕЙ СКИММЕРА

№	Наименование	Количество	№ запасной части
001	Насадка шланга	1	P6774ASS16
002	Крышка	1	P6991ASS16
003	Корзина	1	P6776ASS16
004	Скиммер	1	P6777ASS16
005	Водослив	1	P6992ASS16
006	Прокладка	1	P6993ASS16
007	Передняя пластина	1	P6780ASS16
008	винт M5x22	12	/
009	Уплотнительное кольцо	1	/
010	Заглушка	1	P6813ASS16

#### Необходимые инструменты (не входят в комплект):



Установка силами 2-3 человек обычно занимает приблизительно 10 часа, не считая земляных работ и наполнения бассейна водой.

№	Наименование	Материал	56586/56587		56369/56370	
			5,00 м x 3,60 м x 1,20 м (16'5" x 12' x 48")		6,10 м x 3,60 м x 1,20 м (20' x 12' x 48")	
			Кол-во	№ запасной части	Кол-во	№ запасной части
1	Протектор верхнего соединения	Полипропилен	8	P6743ASS16	8	P6743ASS16
2	Верхняя плоская платформа	Сталь с покрытием	10	P6745ASS16	6	P6745ASS16
3	Болт M6x11	Нержавеющая сталь 304	170	P6746ASS16	214	P6746ASS16
4	Верхняя металлическая деталь	Сталь	8	P6747ASS16	8	P6747ASS16
5	Гайка M6	Нержавеющая сталь 304	52	P6748ASS16	74	P6748ASS16
6	Скиммер		1	P6762ASS16	1	P6762ASS16
7	Переходник шланга		2	F6H202ASS16	2	F6H202ASS16
8	Соединитель направляющих	Полипропилен	32	P6990ASS16	32	P6990ASS16
9	Длинная направляющая	ПВХ	20	P61236ASS16	12	P61237ASS16
10	Чаша	ПВХ	1	56286ASS18	1	56369ASS18
11	Самоклеющаяся лента 3М		1	P6756ASS16	1	P6756ASS16
12	Стальная стенка	Сталь с покрытием	1	P61447ASS17	1	P61448ASS17
13	Вертикальная стойка бассейна	Сталь с покрытием	8	P6757ASS16	8	P6757ASS16
14	Нижняя металлическая деталь	Сталь	8	P6761ASS16	8	P6761ASS16
15	Протектор нижнего соединения	Полипропилен	8	P6759ASS16	8	P6759ASS16
16	Винт ST4x14	Нержавеющая сталь 304	22	P61491ASS17	28	P61491ASS17
17	Регулирующий клапан		1	P6(H2)510ASS18	1	P6(H2)510ASS18
18	Сетчатый фильтр впускного отверстия		1	P6(H2)1317ASS18	1	P6(H2)1317ASS18
19	Протектор бокового верхнего соединения	Полипропилен	2	P6800ASS16	4	P6800ASS16
20	Протектор бокового нижнего соединения	Полипропилен	2	P6801ASS16	4	P6801ASS16
21	Боковая верхняя металлическая деталь	Сталь	2	P6802ASS16	4	P6802ASS16
22	Боковая нижняя металлическая деталь	Сталь	2	P6826ASS16	4	P6826ASS16
23	Стальной пояс	Сталь	1	P6810ASS16	2	P6810ASS16
24	Покрытие стального пояса	ПВХ	1	P6811ASS16	2	P6811ASS16
25	Боковая вертикальная стойка	Сталь с покрытием	2	P61249ASS16	4	P61249ASS16
26	Наклонная вертикальная стойка	Сталь с покрытием	2	P61250ASS16	4	P61250ASS16
27	Боковая нижняя опора	Сталь	2	P6827ASS16	4	P6827ASS16
28	Внутренний нижний протектор	Полипропилен	2	P6828ASS16	4	P6828ASS16
29	Протектор бокового нижнего соединения	Полипропилен	2	P61251ASS16	4	P61251ASS16
30	Короткая верхняя платформа	Сталь с покрытием	/	/	6	P61234ASS16
31	Короткая направляющая	ПВХ	/	/	12	P61238ASS16
32	Прищелки	Пластик	20	/	20	/
33	Защита из пеноматериала	ЕPE(вспененный полиэтилен)	8	P61473ASS16	8	P61473ASS16

## ВЫБОР ПОДХОДЯЩЕГО МЕСТА

### ВНИМАНИЕ: Планировка чрезвычайно важна.

Тщательно выбирайте место для нового бассейна. Это ваше самое важное решение, принимаемое для обеспечения безопасной и успешной установки конструкции бассейна. Неверно выбранное место может создать проблемы в будущем и привести к травмам, смертельным случаям и финансовым убыткам. При выборе места установки бассейна внимательно прочитайте контрольный список, приведенный ниже.

### Допускается:

Ровный, горизонтальный, твердый и сухой участок с удобным доступом к бассейну со всех сторон

Место, открытое для прямых солнечных лучей, предпочтительно, в утренние часы

Безопасный доступ к электроснабжению для работы фильтрующего насоса и других принадлежностей бассейна

Удобный доступ к источнику воды

Защита от ветра

### Недопустимо:

Наклонная, неровная поверхность

Песчаный, каменистый или болотистый грунт

Близость к деревянным конструкциям (например, к перголам и настилам)

Близость к деревьям

Проходящие над бассейном провода и веревки для сушки белья

Наличие канализации, электропроводов или газовых труб под участком

Плохой или слабый дренаж

Места с высоким риском наводнения

Условия сильного ветра

**ПРИМЕЧАНИЕ:** Снимайте возвышения грунта, а не заполняйте углубления. Вся трава и газон на всей площади, которая окажется под бассейном, должны быть убраны.

## СБОРКА БАСЕЙНА

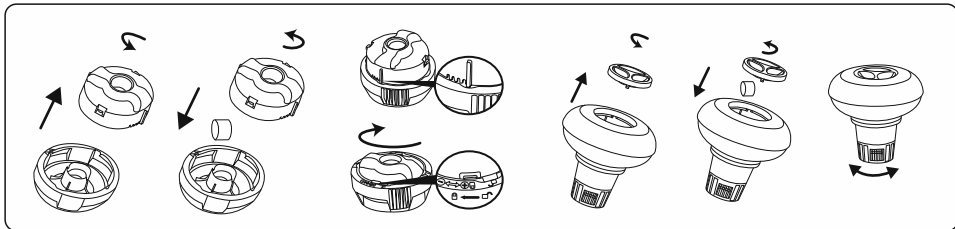
Следуйте шагам, указанным на схеме.

## ОБСЛУЖИВАНИЕ БАСЕЙНА

В случае невыполнения указанных рекомендаций по обслуживанию бассейна вы можете подвергнуть опасности свое здоровье, особенно здоровье своих детей.

### Использование таблеток химических средств (в комплект не входят):

**ПРИМЕЧАНИЕ.** Дозатор Chemconnect или поплавок для химических средств (Chemical Floater) следует использовать, если вы осуществляете обработку воды химическими веществами с помощью таблеток. В комплект приобретенного вами изделия может не входить ни один из этих дозаторов. В этом случае вы можете приобрести их, посетив наш веб-сайт [www.bestwaycorp.com](http://www.bestwaycorp.com), или у ближайшего дилера по продаже бассейнов.



**ВАЖНО!** Не используйте гранулированные таблетки и не бросайте таблетки непосредственно в воду. Химикаты могут отложиться на дне, повредить материал и обесцветить ПВХ.

### Использование растворов химических средств (в комплект не входят):

**ВАЖНО!** Добавляйте химический раствор небольшими дозами и в центре бассейна, во избежание непосредственного контакта между химикатами и поверхностью ПВХ. При непосредственном соприкосновении химикаты могут повредить материал и обесцветить поверхность.

**ПРИМЕЧАНИЕ.** На время пользования бассейном удаляйте из него дозатор химических средств.

**ВАЖНО!** После того как вы очистили воду с помощью химических средств, а также перед использованием бассейна, воспользуйтесь тестовым набором (не входит в комплект поставки), чтобы проверить химический состав воды. Мы рекомендуем поддерживать воду в рамках значений, указанных в следующей таблице.

Параметры	Значения
Прозрачность воды	Ясно видно дно бассейна
Цвет воды	Вода должна быть бесцветной
Мутность в FNU/NTU	макс. 1,5 (желательно менее 0,5)
Концентрация нитратов больше, чем в воде наполнения, в мг/л	макс. 20
Общее количество органического углерода (ООУ) в мг/л	макс. 4,0
Редокс-потенциал против Ag/AgCl 3,5 м KCl в мВ	мин. 650
значение pH	от 6,8 до 7,6
Свободный активный хлор (без циануровой кислоты) в мг/л	от 0,3 до 1,5
Свободный хлор, используемый в сочетании с циануровой кислотой в мг/л	от 1,0 до 3,0
Циануровая кислота в мг/л	макс. 100
Смешанный хлор в мг/л	макс. 0,5 (желательно ближе к 0,0 мг/л)

**ПРИМЕЧАНИЕ.** Гарантия не распространяется на ущерб, причиненный в результате химического дисбаланса. Химические средства для очистки воды в бассейне потенциально токсичны; следует обращаться с ними осторожно. Серьезную опасность для здоровья могут представлять собой испарения химических веществ, а также неправильно подписанные или неправильно хранящиеся контейнеры с химическими веществами. Обратитесь к своему местному продавцу бассейнов, чтобы получить более подробную информацию об обработке воды химическими средствами. Строго соблюдайте инструкции производителей химических средств. Повреждение бассейна, причиненное в результате неправильного применения химических средств и неправильным уходом за водой бассейна, не покрывается гарантией.

**ВАЖНО!** Чрезмерное применение химикатов может обесцветить рисунки и материал бассейна. Это может также повредить структуру чаши бассейна.

### Чтобы содержать свой бассейн в чистоте:

1. Обратитесь в свой местный магазин по продаже бассейнов и приобретите химикаты и наборы pH. Постоянное поддержание воды в чистом и безопасном для здоровья состоянии является одним из важнейших факторов длительного срока службы чаши бассейна. Строго соблюдайте инструкции профессиональных специалистов по обработке воды с помощью химических средств.
2. Установите емкость с водой рядом с бассейном, чтобы пользователи могли промыть ноги перед входом в бассейн.
3. Накрывайте бассейн, когда он не используется.
4. Регулярно очищайте поверхность воды бассейна, не допуская осаждения загрязнений.
5. Регулярно проверяйте и промывайте картридж фильтра.
6. Чистой тканью аккуратно очищайте пену и грязь с нижней стороны верхнего кольца.
7. В случае дождя внимательно следите за тем, чтобы не был превышен заданный уровень воды. В противном случае СЛЕДУЕТ СЛИТЬ ЛИШНЮЮ ВОДУ.
8. Если идет дождь, следите, чтобы уровень воды в бассейне не превышал заданного значения. В случае превышения заданного уровня, слейте воду из бассейна до указанного уровня.

### Надлежащий уход за бассейном может продлить срок его службы.

В сезон пользования плавательным бассейном фильтрационную систему необходимо включать каждый день на время, достаточное для того, чтобы обеспечить полное обновление объема воды.

**ПРИМЕЧАНИЕ.** Насос используется для циркуляции воды и фильтрации мелких частиц. Для поддержания чистоты и гигиены воды в бассейне также следует использовать химикаты.

### Ремонт

В случае троточки заклейте бассейн клейкой заплатой специально для ремонта поверхности, находящейся под водой (входит в комплект поставки). Инструкции можно найти в часто задаваемых вопросах раздела поддержки на нашем веб-сайте [www.bestwaycorp.com](http://www.bestwaycorp.com).

### Хранение

1. Уберите все аксессуары и запасные части бассейна и сложите их на хранение в чистом и сухом месте.
2. Храните чашу бассейна и его аксессуары в сухом месте при умеренной температуре от 5°C / 41°F до 38°C / 100°F.
3. В дождливое время года бассейн и принадлежности следует хранить, как указано выше.
4. Неправильный слив воды из бассейна может привести к серьезным травмам людей и/или повреждения имущества.
5. Вне сезона (в зимние месяцы) настоятельно рекомендуется разбирать бассейн. Храните в сухом месте, недоступном для детей.

Если вы не хотите разбирать бассейн на зиму, придерживайтесь следующих рекомендаций:

**ВАЖНО:** Не сливайте всю воду из бассейна. Если слить всю воду, бассейн может быть поврежден сильным ветром. Слейте воду до уровня 10 см ниже впускного клапана на стенке бассейна.

1. Слейте воду до уровня 10 см ниже впускного клапана на стенке бассейна. Для этого можно использовать насос или садовый шланг (Схема 28,29).
2. Выполните обработку воды соответствующими химикатами.
3. Подсоедините к бассейну систему фильтрации. Впускные и выпускные соединения можно оставить в прикрепленном к бассейну виде.
4. Снимите также другие принадлежности бассейна и сохраните их в сухом прохладном месте.
5. Накройте бассейн чехлом для защиты.

Если вы хотите разобрать бассейн на зиму, придерживайтесь следующих рекомендаций:

1. Слейте воду из бассейна с помощью садового шланга или используйте дренажный насос для того, чтобы слить воду (Схема 28).
2. Очистите все части бассейна губкой и мылом с нейтральным pH. Высушите их и сложите на хранение в чистом и сухом месте.





## OWALNE BASENY HYDRIMUM™ INSTRUKCJA OBSŁUGI

Odwiedź stronę Bestway na YouTube

### ⚠ OSTRZEŻENIE

Przed montażem i użyciem basenu przeczytaj dokładnie i ze zrozumieniem wszystkie informacje zawarte w instrukcji obsługi i postępuj zgodnie z nimi. Ostrzeżenia, instrukcje i wskazówki dotyczące bezpieczeństwa obejmują niektóre z zagrożeń powszechnych dla rekreacji wodnej, nie obejmują w żadnym razie wszystkich możliwych zagrożeń. Przy każdej zabawie w wodzie należy kierować się zdrowym rozsądkiem i oceną sytuacji. Zachowaj tę informację do późniejszego wglądu.

### Bezpieczeństwo osób nie umiejących pływać

- Wymagany jest zawsze ciągle, aktywny i czynny nadzór kompetentnej osoby dorosłej jeśli w basenie znajdują się słabo pływające lub nieumiejące pływać (pamiętaj, że dzieci poniżej 5 roku życia są zagrożone w najwyższym stopniu utonięciem).
- Przed każdym użyciem basenu wyznacz kompetentną osobą dorosłą w celu jego nadzoru.
- Osoby słabo pływające lub nieumiejące pływać, podczas korzystania z basenu powinny zakładać środki ochrony indywidualnej.
- Kiedy basen nie jest używany lub pozostaje bez nadzoru, należy usunąć z niego i jego otoczenia wszystkie zabawki, aby w ten sposób nie przyciągać uwagi dzieci.

### Środki ochrony osobistej

- Aby zapobiec utonięciu, zaleca się zabezpieczenie dostępu dzieci do basenu przy pomocy odpowiednich urządzeń ochronnych. Aby zapobiec wspinaniu się przez dzieci na zawór wlotowy i wylotowy, zalecane jest zamontowanie bariery (i zabezpieczenia w razie potrzeby wszystkich drzwi i okien) zapobiegającej nieupoważnionemu dostępowi do basenu.
- Bariery, pokrywony na basen lub podobne zabezpieczenia stanowią użyteczną pomoc, ale nie zastępują stałego i kompetentnego nadzoru przez dorosłych.

### Sprzęt ratunkowy

- Zaleca się posiadanie sprzętu ratunkowego (np. koła ratunkowego) w pobliżu basenu.
- W pobliżu basenu należy mieć działający telefon oraz listę numerów telefonów ratunkowych.

### Bezpieczne korzystanie z basenu

- Zachęcaj wszystkich użytkowników, a szczególnie dzieci do nauki pływania.
- Naucz się podstawowych technik ratowania życia (resuscytacji krążeniowo-oddechowej – CPR) i regularnie odświeżaj tę wiedzę. Może ona pomóc w uratowaniu życia w nagłym wypadku.
- Naucz wszystkich użytkowników basenu, w tym dzieci, co mają robić w razie niebezpieczeństwa.
- Nigdy nie wskakuj na głowę do płytkiej wody. Może to spowodować poważne obrażenia, a nawet śmierć.
- Nie korzystaj z basenu po spożyciu alkoholu lub leków, które mogą negatywnie wpływać na zdolność bezpiecznego korzystania z basenu.
- W przypadku używania pokryw na basen, przed wejściem do basenu zdejmij je całkowicie z powierzchni wody.
- Chroń użytkowników basenu przed chorobami związanymi z wodą uzdatniając wodę do basenu i zachowując zasady prawidłowej higieny. Zapoznaj się z wytycznymi dotyczącymi uzdatniania wody w instrukcji obsługi.



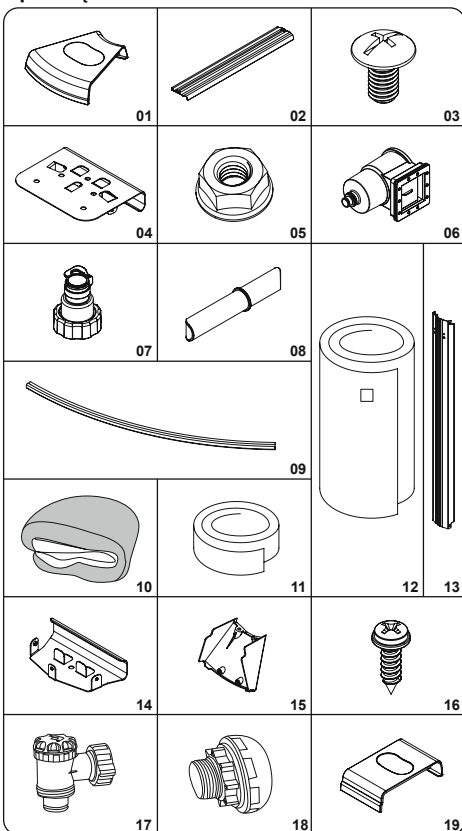
- Chemikalia (np. środki do uzdatniania wody, czyszczące i dezynfekcyjne) trzymaj poza zasięgiem dzieci.
- Stosuj oznakowanie opisane poniżej. Oznakowanie należy ustawić w widocznym miejscu w odległości nie większej niż 2 m od basenu.
- Nadzoruj dzieci w środowisku wodnym. Nie nurkować.
- Zdejmowane drabinki należy ustawiać na powierzchni poziomej.
- Aby uniknąć obrażeń, powierzchnie dostępne należy regularnie sprawdzać, niezależnie od materiałów konstrukcyjnych basenu.
- Należy regularnie sprawdzać śruby i wkrety. Aby uniknąć obrażeń należy usuać odpryski i wszelkie ostre krawędzie.

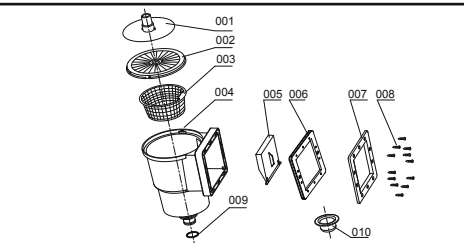
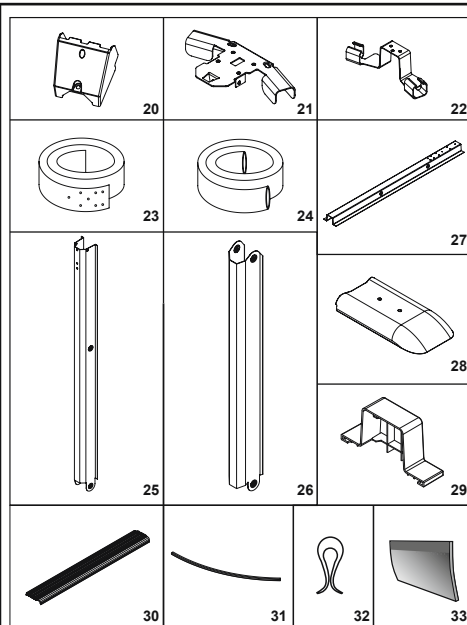
- **UWAGA:** Po wypuszczeniu wody, nie pozostawiaj basenu na zewnątrz. Pusty basen może zostać odkształcony i/lub przemieszczony przez wiatr.
- W przypadku montażu pompy filtrującej, dla uzyskania wskazówek należy zapoznać się z jej instrukcją obsługi.
- **OSTRZEŻENIE!** Pompy nie wolno używać, kiedy w basenie przebywają ludzie.
- W przypadku stosowania drabinki, dla uzyskania wskazówek należy zapoznać się z jej instrukcją obsługi.

**OSTRZEŻENIE!** Używanie basenu jest równoznaczne z akceptacją i przestrzeganiem zasad bezpieczeństwa zamieszczonych w instrukcji obsługi i konserwacji. Aby uniknąć utonięć lub innych poważnych obrażeń, należy zwracać szczególną uwagę na możliwość niespodzianego wejścia do basenu przez dzieci w wieku poniżej 5 lat. Należy w tym celu zabezpieczyć wejście do basenu, a kąpiące się dzieci muszą być pod stałym nadzorem osoby dorosłej.

**UWAGA:** Podczas montażu basenu, skimer należy umieścić pod wiatr w stosunku do basenu. Drabinę należy zamontować daleko od skimera. **Prosimy o dokładne przeczytanie i zachowanie niniejszego dokumentu do późniejszego wglądu.**

### Spis części





#### LISTA CZĘŚCI SKIMMERA

Nr	Nazwa	Ilość	Nr części zamiennej
001	Zaczep węża	1	P6774ASS16
002	Pokrywa	1	P6991ASS16
003	Kosz	1	P6776ASS16
004	Skimmer	1	P6777ASS16
005	Przelew	1	P6992ASS16
006	Uszczelka	1	P6993ASS16
007	Płyta powierzchniowa	1	P6780ASS16
008	Wkręt M5x22	12	/
009	Pierścień O-ring	1	/
010	Korek	1	P6813ASS16

#### Wymagane narzędzia (poza zestawem):



Montaż zazwyczaj zajmuje około 3 godzin i wymaga 2-3 osób, z wyłączeniem prac ziemnych i napełniania.

Nr	Nazwa	Materiał	56586/56587		56369/56370	
			5.00 m x 3.60 m x 1.20 m (16'5" x 12' x 48")		6.10 m x 3.60 m x 1.20 m (20' x 12' x 48")	
			Il.	Nr części zamiennej	Il.	Nr części zamiennej
1	Górne zabezpieczenie złącza	PP	8	P6743ASS16	8	P6743ASS16
2	Długi podest górny	Stal powlekana	10	P6745ASS16	6	P6745ASS16
3	Sruba M6x11	Stal nierdzewna 304	170	P6746ASS16	214	P6746ASS16
4	Górny element metalowy	Stal	8	P6747ASS16	8	P6747ASS16
5	Nakrętka M6	Stal nierdzewna 304	52	P6748ASS16	74	P6748ASS16
6	Skimmer		1	P6762ASS16	1	P6762ASS16
7	Adapter węża		2	F6H202ASS16	2	F6H202ASS16
8	Złącze szyny	PP	32	P6990ASS16	32	P6990ASS16
9	Szyna długa	PCV	20	P61236ASS16	12	P61237ASS16
10	Wkładka	PCV	1	56286ASS18	1	56369ASS18
11	Taśma samoprzylepna 3M		1	P6756ASS16	1	P6756ASS16
12	Stalowa ścianka	Stal powlekana	1	P61447ASS17	1	P61448ASS17
13	Wspornik pionowy basenu	Stal powlekana	8	P6757ASS16	8	P6757ASS16
14	Dolny element metalowy	Stal	8	P6761ASS16	8	P6761ASS16
15	Dolne zabezpieczenie złącza	PP	8	P6759ASS16	8	P6759ASS16
16	Wkręt ST4x14	Stal nierdzewna 304	22	P61491ASS17	28	P61491ASS17
17	Zawór regulacyjny		1	P6(H2)510ASS18	1	P6(H2)510ASS18
18	Sitko wlewu basenu		1	P6(H2)1317ASS18	1	P6(H2)1317ASS18
19	Złącze górne boczne	PP	2	P6800ASS16	4	P6800ASS16
20	Złącze dolne boczne	PP	2	P6801ASS16	4	P6801ASS16
21	Górny boczny metalowy element	Stal	2	P6802ASS16	4	P6802ASS16
22	Dolny boczny metalowy element	Stal	2	P6826ASS16	4	P6826ASS16
23	Stalowy pasek	Stal	1	P6810ASS16	2	P6810ASS16
24	Ostona stalowego paska	PCV	1	P6811ASS16	2	P6811ASS16
25	Pionowe boczne wsparcie basenu	Stal powlekana	2	P61249ASS16	4	P61249ASS16
26	Ukośne boczne wsparcie basenu	Stal powlekana	2	P61250ASS16	4	P61250ASS16
27	Dolne boczne wsparcie	Stal	2	P6827ASS16	4	P6827ASS16
28	Wewnętrzne dolne zabezpieczenie	PP	2	P6828ASS16	4	P6828ASS16
29	Dolne boczne zabezpieczenie	PP	2	P61251ASS16	4	P61251ASS16
30	Krótki podest górny	Stal powlekana	/	/	6	P61234ASS16
31	Szyna krótka	PCV	/	/	12	P61238ASS16
32	Spinacze	Tworzywo sztuczne	20	/	20	/
33	Ochroniacz piankowy	EPE	8	P61473ASS16	8	P61473ASS16

## WYBÓR ODPOWIEDNIEGO MIEJSCA

### OSTRZEŻENIE: Wypoziomowanie jest bardzo ważne.

Starannie wybierz miejsce dla nowego basenu. Jest to najważniejsza decyzja, jaką musisz podjąć w celu zapewnienia bezpieczeństwa i udanej budowy basenu. Nieprawidłowo wybrane miejsce może w przyszłości powodować problemy prowadzące do obrażenia ciała, śmierci lub strat finansowych. Podczas wyboru miejsca do ustawienia basenu uważnie przeczytaj poniższą listę kontrolną.

### Akceptowalne:

Piaszki, wypoziomowane, suche podłoże z łatwym dostępem z każdej strony basenu.

Wystawione na bezpośrednie działanie promieni słonecznych, najlepiej w godzinach porannych.

Bezpieczny dostęp do elektryczności, w celu podłączenia pompy filtra i innych akcesoriów basenu.

Dostęp do źródła wody

Ochronione od wiatru.

### Nieprawidłowe:

Pochyłe, nierówne podłoże

Podłoże piaszczyste, kamieniste lub mokre

Bliskość konstrukcji drewnianych (np. pergole i podesty)

Bliskość drzew

Rozwieszane linki i sznurki do wieszania bielizny

Rury, przewody elektryczne lub gazociągi podziemne

Słabe lub niewystarczające odprowadzenie wody

Miejsce o wysokim ryzyku zalania

Silne wiatry

**UWAGA:** Lepiej jest usuwać grunt zalegający wyżej, niż zasypywać grunt niższy. Należy usunąć trawę i darni pod całą powierzchnią basenu.

## MONTAŻ BASENU

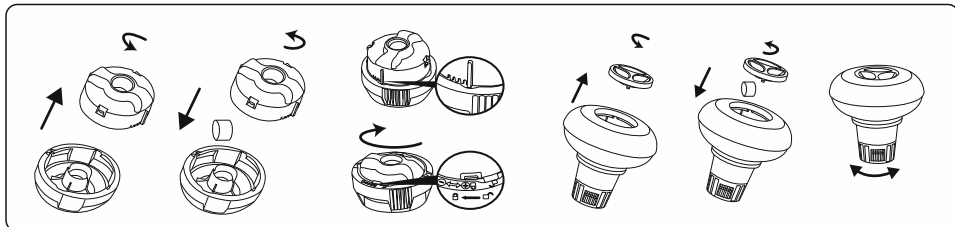
Postępuj zgodnie z krokami pokazanymi na schemacie.

## KONSERWACJA BASENU

Jeśli nie zastosujesz się do poniższych wskazówek dotyczących utrzymania, Twoje zdrowie może być zagrożone, zwłaszcza zdrowie Twoich dzieci.

### Używanie tabletek chemicznych (brak w zestawie):

**UWAGA:** Podczas przeprowadzania konserwacji chemicznej za pomocą tabletek należy używać Chemconnect lub pływaków do chemii. Zakupiony przedmiot może nie zawierać żadnego z tych dozowników, w takim przypadku możesz go kupić, odwiedzając naszą stronę internetową [www.bestwaycorp.com](http://www.bestwaycorp.com) lub w najbliższym punkcie sprzedaży basenów.



**WAŻNE:** Nie używaj tabletek granulowanych ani nie wrzucaj tabletek bezpośrednio do wody. Chemikalia mogą osadzać się na dnie, uszkadzać materiał i odbarwiać PVC.

### Używanie cieczy chemicznej (brak w zestawie):

**WAŻNE:** Dodaj płyn chemiczny w małych dawkach i na środku basenu, aby uniknąć bezpośredniego kontaktu chemikaliów z powierzchnią PVC. Bezpośredni kontakt może uszkodzić materiał i odbarwić powierzchnię.

**UWAGA:** Wyjmij dozownik chemikaliów z basenu, gdy basen jest używany.

**WAŻNE:** Po przeprowadzeniu konserwacji chemicznej i przed użyciem basenu użyj zestawu testowego (brak w zestawie), aby przetestować chemię wody. Zalecamy utrzymanie wody zgodnie z poniższą tabelą.

Parametry	Wartości
Klarowność wody	wyraźny widok dna basenu
Kolor wody	powinien być zaobserwowany brak koloru
Zmętnienie w FNU / NTU	max. 1,5 (najlepiej mniej niż 0,5)
Stężenie azotanu powyżej stężenia wody wypełniającej w mg / l	max. 20
Całkowity węgiel organiczny (TOC) w mg / l	max. 4,0
Potencjał redoks w stosunku do Ag / AgCl 3,5 m KCl w mVl	min. 650
Wartość pH	6,8 do 7,6
Wolny aktywny chlor (bez kwasu cyjanurowego) w mg / l	0,3 do 1,5
Wolny chlor stosowany w połączeniu z kwasem cyjanurowym w mg / l	1,0 do 3,0
Kwas cyjanurowy w mg / l	max. 100
Połączony chlor w mg / l	max. 0,5 (najlepiej blisko 0,0 mg / l)

**UWAGA:** Uszkodzenia wynikające z braku równowagi chemicznej nie są objęte gwarancją. Chemikalia basenowe są potencjalnie toksyczne i należy się z nimi obchodzić ostrożnie. Istnieją poważne zagrożenia dla zdrowia spowodowane oparami chemikaliów oraz niewłaściwym etykietowaniem i przechowywaniem pojemników z chemikaliami. Aby uzyskać więcej informacji na temat konserwacji chemicznej, skontaktuj się z lokalnym sprzedawcą detalicznym. Zwróć szczególną uwagę na instrukcje producenta chemikaliów. Uszkodzenia basenu wynikające z niewłaściwego użycia chemikaliów i niewłaściwego zarządzania wodą w basenie nie są objęte gwarancją.

**WAŻNE:** Nadmierne użycie chemikaliów może odbarwić nadruk i wszystkie punkty materiału basenu. Może również uszkodzić strukturę niecki basenowej.

### Aby utrzymać basen w czystości:

1. Skontaktuj się z lokalnym sklepem z zaopatrzeniem dla basenów, aby uzyskać porady i zakup chemikaliów oraz zestawów do pomiaru pH.

Jednym z najważniejszych czynników zwiększających żywotność niecki jest ciągłe utrzymywanie czystej i zdrowej wody. Należy ściśle przestrzegać instrukcji profesjonalnych techników dotyczących uzdatniania wody za pomocą chemikaliów.

- Postaw miskę z wodą obok basenu, aby oczyścić stopy użytkowników przed wejściem do basenu.
- Zakryj basen, gdy nie jest używany.
- Regularnie przeglądaj basen, aby uniknąć osadzania się brudu.
- Regularnie sprawdzaj i myj wkład filtra.
- Delikatnie wyczyść brud spod górnego pierścienia czystą szmatką.
- Należy zachować ostrożność w przypadku wody deszczowej, sprawdzić, czy poziom wody nie jest wyższy niż oczekiwany. Jeśli tak, MUSISZ opróżnić nadmiar wody
- Jeśli pada deszcz, sprawdź, czy poziom wody nie jest wyższy niż określony poziom. Jeśli woda przekroczy określone poziomy, opróżnij basen do określonego poziomu.

### Właściwa konserwacja może zmaksymalizować żywotność basenu.

W sezonie korzystania z basenu system filtracji musi być koniecznie uruchamiany codziennie, wystarczająco długo, aby zapewnić co najmniej całkowitą wymianę objętości wody.

**UWAGA:** Pompa służy do cyrkulacji wody i filtrowania małych cząstek. Aby utrzymać czystość i higienę wody w basenie, musisz również dodać chemikalia.

### Naprawa

W przypadku wycieku załataj basen za pomocą dostarczonej podwodnej łąty naprawczej. Instrukcje można znaleźć w często zadawanych pytaniach w sekcji pomocy na naszej stronie internetowej [www.bestwaycorp.com](http://www.bestwaycorp.com).

### Przechowywanie

- Odczep od basenu wszystkie akcesoria i części wymienne i przechowuj je czyste i suche.
- Przechowuj wykładzinę i akcesoria w suchym miejscu o umiarkowanej temperaturze, pomiędzy 5°C / 41°F i 38°C / 100°F.
- W okresach deszczowych basen i akcesoria powinny być przechowywane w wyżej opisany sposób.
- Nieprawidłowe odprowadzanie wody z basenu może spowodować poważne obrażenia ciała i/lub uszkodzenia mienia osobistego.
- Zalecamy demontaż basenu poza sezonem (podczas miesięcy zimowych). Przechowuj w chłodnym, suchym miejscu, poza zasięgiem dzieci.

Jeśli chcesz uniknąć rozbioru basenu na zimę, zastosuj się do poniższej instrukcji:

**WAŻNE:** Nie spuszczać całej wody z basenu. W przeciwnym razie basen może zostać uszkodzony przez silny wiatr. Spuść wodę do poziomu 10 cm poniżej zaworu wlotowego na ścianie basenu.

- Spuść wodę do poziomu 10 cm poniżej zaworu wlotowego na ścianie basenu. Możesz użyć pompy lub węża ogrodowego (schemat 28, 29).
- Uzdatniaj wodę w basenie za pomocą odpowiednich produktów chemicznych.
- Wymyj układ filtrujący z basenu. Możesz pozostawić wloty/wyloty zamocowane do basenu.
- Usuń także wszystkie inne akcesoria basenowe i przechowuj je w suchym i chłodnym miejscu.
- Zabezpiecz basen pokrywą.

Jeżeli nie chcesz demontować basenu na zimę, przestrzegaj poniższych instrukcji:

- Spuść wodę z basenu za pomocą węża ogrodowego lub użyj pompy spustowej (schemat 28).
- Wyczyść wszystkie elementy basenu za pomocą gąbki i mydła o obojętnym pH. Wyszusz je i odłóż w sposób uporządkowany w suchym i czystym miejscu.



**HYDRIMUM™ OVÁLIS MEDENCÉK HASZNÁLATI UTASÍTÁS**

Látogassa meg a Bestway YouTube-csatornáját **YouTube**

**FIGYELMEZTETÉS**

Az úszómedence telepítése és használata előtt gondosan olvassa el ezt a kézikönyvet, és érts meg, valamint tartsa be a benne foglaltakat. Ezek a figyelmeztetések, utasítások és biztonsági irányelvek segítenek elhárítani a vízi rekreációval kapcsolatos néhány általános kockázatot, de nem tudják lefedni az összes kockázatot és veszélyt. A vízi tevékenységek végzése során mindig legyen óvatos, megfontolt, és jó ítélőképességgel. Tegye félre ezt a kézikönyvet, hogy a jövőben bármikor belenézhesen.

**Az úszni nem tudók biztonsága**

- A gyengén úszóknak és úszni nem tudóknak mindig hozzáértő felnőtt általi felügyelet, aktív és éber felügyeletet kell biztosítani (vegye figyelembe, hogy az öt év alatti gyermekeknek a legnagyobb a fulladásveszély).
- A medence minden egyes használatát alkalmával jelöljön ki hozzáértő felnőttet a medence felügyeletére.
- A gyengén úszóknak, illetve úszni nem tudóknak a medence használatakor egyéni védőfelszerelést kell viselniük.
- Ha az úszómedence nincs használatban, távolítsa el belőle és a környezetéből minden játékot, hogy azok a gyermekeket nehogy a medencébe csalogassák.

**Biztonsági berendezések**

- A gyermekek megfulladásának elkerülése érdekében ajánlatos a medencéhez való hozzáférést védőeszközzel korlátozni. Annak érdekében, hogy a gyermekek ne ugrálhassanak a bemeneti és kimeneti szelepekről, tanácsos kerítéssel (és adott esetben az ajtók és ablakok bezárásával) megakadályozni az illetéktelenek medencéhez való hozzáféréseit.
- A kerítések, medencefedelelek, medencerasztók, illetve hasonló biztonsági berendezések hasznos segítségek, de nem helyettesítik a hozzáértő felnőtt általi felügyeletet.

**Biztonsági berendezések**

- A medence mellett tanácsos mentőfelszerelést (pl. mentőöv) tartani.
- Tartson működőképes telefont és a segítségnyújtás-listát a medence mellett.

**A medence biztonságos használata**

- Biztasson minden felhasználót – különösen a gyermekeket – hogy tanuljanak meg úszni.
- Tanulja meg az alapszintű elsősegélynyújtást (újraélesztés – CPR), és rendszeresen frissítse ezen ismereteit. Ez vészhelyzetben életet menthet.
- Tájékoztassa az összes medencehasználót, hogy mit kell csinálni vészhelyzet esetén.
- Soha ne ugorjon sekély vízbe. Ez súlyos sérüléshez vagy halálhoz vezethet.
- Ne használja az úszómedencét, ha alkohol vagy gyógyszer hatása alatt áll, amely hatás hátrányosan befolyásolhatja a medence biztonságos használatát.
- Medencefedél használatát esetén a medencébe való beszállás előtt teljesen távolítsa el azt a vízfelületről.
- A medencevíz kezelésével és jó higiéniai állapotának fenntartásával védje a medence használóit a vízen keresztül elkapható betegségektől. Tekintse meg a használati útmutatóban a vízkezelési irányelveket.



- A vegyszerek (pl. vízkezelő szerek, tisztító vagy fertőtlenítő termékek) a gyermekek számára hozzáférhetetlen helyen tartandók!
- Használja az alább leírt jelzést. A jelzést feltűnő helyen kell elhelyezni, a medence 2 méteres környezetében.
- Ne hagyja a gyermekeket a vizes környezetben felügyelet nélkül. Merülni tilos!
- Az eltávolítható létrákat vízszintes felületre kell helyezni.
- Az úszómedencéhez használt anyagoktól függetlenül, a sérülések elkerülése érdekében a hozzáférhető felületeket rendszeresen ellenőrizni kell.
- A sérülések elkerülése érdekében rendszeresen ellenőrizze a csavarok állapotát, távolítsa el a sörjakát, illetve szüntesse meg az éles peremeket.

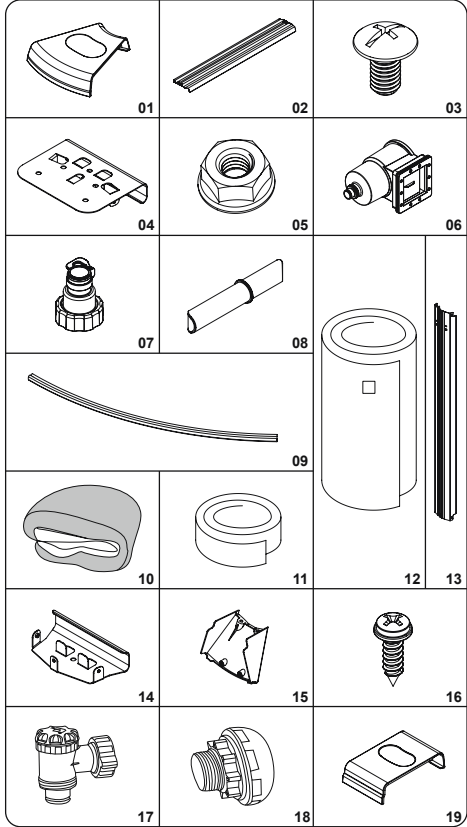
- **FIGYELEM:** Ne hagyja a leírított medencét a szabadban. A medence üres állapotban könnyen deformálódhat, illetve a medencét könnyen arrébb fújhatja a szél.
- Ha van szűrőszivattyúja, részletekért tekintse meg a szivattyú kézikönyvét.
- **FIGYELMEZTETÉS!** A szivattyú nem használható, ha ember van a medencében!
- Ha van létrája, részletekért tekintse meg a létra kézikönyvét.

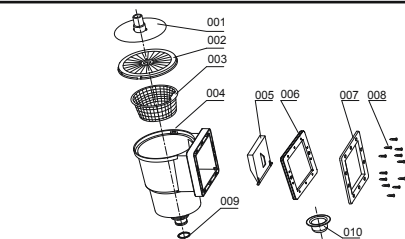
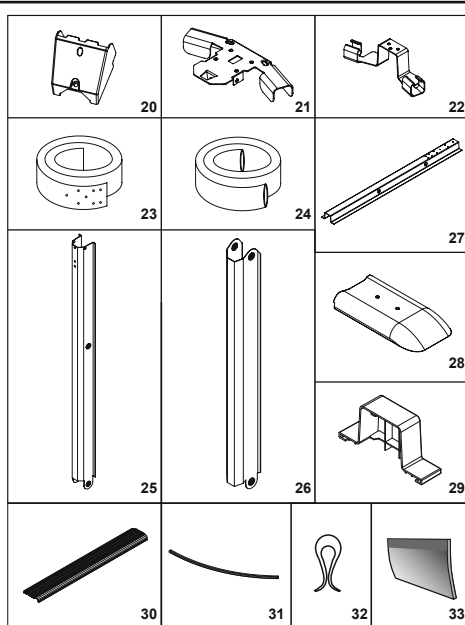
**FIGYELMEZTETÉS!** Az úszómedence használata során tartsa be a használati és karbantartási útmutatójában foglalt biztonsági utasításokat. A fulladás, illetve egyéb súlyos sérülések megelőzése érdekében különösen figyeljen oda az úszómedence 5 éves aluli gyermekek általi nem várt hozzáféréseinek lehetőségére, és gondoskodjon arról, hogy a gyermekek ne férhessenek a medencéhez, valamint a furdózás ideje alatt folyamatosan felügyelje őket, vagy gondoskodjon felnőtt általi felügyelutükről.

**MEGJEGYZÉS:** A medence telepítésekor a medencei szűrőnek a fő szellőrányal szemben kell elhelyezkednie. A létrát a medencei szűrőtől távol kell a medencében elhelyezni.

**Alaposan olvassa el, és tegye félre, hogy a jövőben bármikor belenézhesen.**

**A részegységek áttekintése**





#### A MEDENCEI SZŰRŐ TARTOZÉKLISTÁJA

Szám	Név	Mennyiség	Cserealk. sz.
001	Fixation du tuyau	1	P6774ASS16
002	Bâche	1	P6991ASS16
003	Panier	1	P6776ASS16
004	Skimmer	1	P6777ASS16
005	Seuil	1	P6992ASS16
006	Joint d'étanchéité	1	P6993ASS16
007	Plaque de recouvrement	1	P6780ASS16
008	Vis M5x22	12	/
009	Joint torique	1	/
010	Bouchon	1	P6813ASS16

#### Szükséges szerszámok (nincs mellékelve):



A beszerelés általában 3 órát vesz igénybe, ha 2-3 ember végzi a földmunkákat és a feltöltést.

Szám	Név	Anyag	56586;56587		56369;56370	
			5.00 m x 3.60 m x 1.20 m (16'5" x 12' x 48")		6.10 m x 3.60 m x 1.20 m (20' x 12' x 48")	
			Menny.	Cserealk. sz.	Menny.	Cserealk. sz.
1	Felső csatlakozásvédő	PP	8	P6743ASS16	8	P6743ASS16
2	Hosszú felső perem	Bevont acél	10	P6745ASS16	6	P6745ASS16
3	M6x11 csavar	304-es rozsdamentes acél	170	P6746ASS16	214	P6746ASS16
4	Felső fémdarab	Acél	8	P6747ASS16	8	P6747ASS16
5	M6 anya	304-es rozsdamentes acél	52	P6748ASS16	74	P6748ASS16
6	Medencei szűrő		1	P6762ASS16	1	P6762ASS16
7	Tömlőadapter		2	F6H202ASS16	2	F6H202ASS16
8	Sínes csatlakozó	PP	32	P6990ASS16	32	P6990ASS16
9	Hosszú sín	PVC	20	P61236ASS16	12	P61237ASS16
10	Bevonat	PVC	1	56286ASS18	1	56369ASS18
11	3M öntapadós szalag		1	P6756ASS16	1	P6756ASS16
12	Acélfal	Bevont acél	1	P61447ASS17	1	P61448ASS17
13	A medence függőleges támasza	Bevont acél	8	P6757ASS16	8	P6757ASS16
14	Alsó fémdarab	Acél	8	P6761ASS16	8	P6761ASS16
15	Alsó csatlakozásvédő	PP	8	P6759ASS16	8	P6759ASS16
16	ST4x14 csavar	304-es rozsdamentes acél	22	P61491ASS17	28	P61491ASS17
17	Vezérlőszелеp		1	P6(H2)510ASS18	1	P6(H2)510ASS18
18	Medencebemeneti szűrő		1	P6(H2)1317ASS18	1	P6(H2)1317ASS18
19	Oldalsó felső csatlakozás	PP	2	P6800ASS16	4	P6800ASS16
20	Oldalsó alsó csatlakozás	PP	2	P6801ASS16	4	P6801ASS16
21	Oldalsó felső fémdarab	Acél	2	P6802ASS16	4	P6802ASS16
22	Oldalsó alsó fémdarab	Acél	2	P6826ASS16	4	P6826ASS16
23	Acélfőv	Acél	1	P6810ASS16	2	P6810ASS16
24	Acélfővedél	PVC	1	P6811ASS16	2	P6811ASS16
25	Oldalsó függőleges támasz	Bevont acél	2	P61249ASS16	4	P61249ASS16
26	Oldalsó keresztámsz	Bevont acél	2	P61250ASS16	4	P61250ASS16
27	Oldalsó alsó támasz	Acél	2	P6827ASS16	4	P6827ASS16
28	Belső alsó védő	PP	2	P6828ASS16	4	P6828ASS16
29	Oldalsó alsó védő	PP	2	P61251ASS16	4	P61251ASS16
30	Rövid felső perem	Bevont acél	/	/	6	P61234ASS16
31	Rövid sín	PVC	/	/	12	P61238ASS16
32	Csipeszek	Műanyag	20	/	20	/
33	Foam protector	Polietilén hab	8	P61473ASS16	8	P61473ASS16

## A MEGFELELŐ HELY KIVÁLASZTÁSA

### FIGYELMEZTETÉS: A színtezés rendkívül fontos művelet:

Az új medence helyének kiválasztását nagy gonddal végezze. Ez a medenceszerkezet biztonsága és sikere érdekében Ön által meghozandó legfontosabb döntés. A gondatlan helyválasztás a jövőben sérülést, halált vagy fölösleges pénzkidrást okozhat. Alaposan olvassa el az alábbiakban feltüntetett, a medence felállítási helyére vonatkozó ellenőrzőlistát.

### Elfogadható:

Sík, vízszintes, szilárd és száraz felület, melynél a medence minden oldalról könnyen hozzáférhető

Lehetőleg reggel, közvetlen napfénynek kitett hely

A szűrőszivattyú és egyéb medencei tartozékok működtetéséhez szükséges, biztonságosan hozzáférhető áramellátás

Könnyű vízhozóhoz hozzáférés

Szélvédett hely

### Nem elfogadható:

Meredek, egyenetlen felület

Homokos, köves vagy ázott talaj

Faszerkezetekhez (pl. lugas és pódium) közel

Fákhoz közel

Felsővezetékek és ruhaszárító kötelek alatti hely

Csatorna-, villany- vagy gázvezetékek fölötti hely

Gyenge vagy kis teljesítményű vízelvezetéssel rendelkező hely

Nagy elárasztáskockázatu hely

Szélnek rendkívül kitett hely

**MEGJEGYZÉS:** Inkább a magasabb kiálló részeket távolítsa el, mint az alacsonyabban fekvő részeket töltsé fel. A fűvet és gyomot a teljes medenceterület alól el kell távolítani.

## NEM MEGFELELŐ ÖSSZESZERELÉS

Kérjük, tekintse meg az ábra lépéseit.

## Medence karbantartása

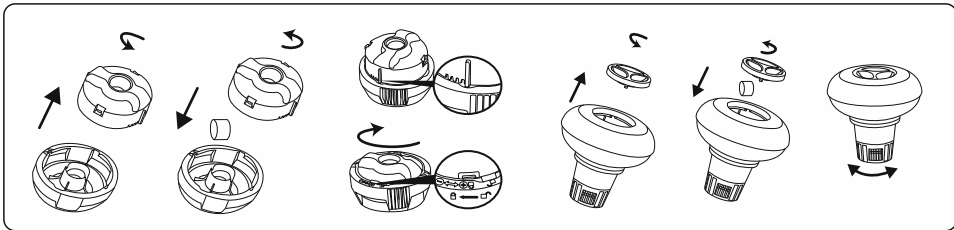
Az alábbi karbantartási utasítások be nem tartása veszélyezteti az Ön, és különösen az Ön gyermekeinek egészségét.

### Vegyszertabletták használata (nincs mellékelve):

**MEGJEGYZÉS:** Kötelezően használja a Chemconnect egységet vagy úszó vegyszeradagolót tablettákkal végzett vegyi karbantartáskor.

Előfordulhat, hogy a termék nem tartalmazza ezen adagolók egyikét sem, ebben az esetben az egységeket megvásárolhatja a

[www.bestwaycorp.com](http://www.bestwaycorp.com) webhelyünkön, illetve megkeresheti a legközelebbi medenceforgalmazót.



**FONTOS:** Ne használjon granulátumtablettákat, illetve ne dobja a tablettát közvetlenül a vízbe. A vegyszerek lerakódhatnak a medence alján, így károsítva az anyagot, illetve elszínezve a PVC-t.

### Vegyszerfolyadék használata (nincs mellékelve):

**FONTOS:** A vegyszerfolyadékot adja hozzák kicsi dózisokban és a medence közepénié, így elkerülve a közvetlen érintkezést a vegyszer és a PVC felület között. A közvetlen érintkezés károsíthatja az anyagot, illetve elszínezheti a felületet.

**MEGJEGYZÉS:** Ha a medence nincs használatban, vegye ki a vegyszeradagolót a medencéből.

**FONTOS:** A vegyi karbantartás elvégzését követően és a medence használata előtt tesztkészlettel (nincs mellékelve) ellenőrizze a víz vegyi tulajdonságait. Javasoljuk, hogy a víz karbantartását az alábbi táblázatban foglaltak szerint végezze.

Paraméterek	Értékek
Víz tisztaság	tisztán látni a medence alját
A víz színe	kifejezett szín nem tapasztalható
Zavarosság [FNU/NTU]	max. 1,5 (lehetőleg kevesebb mint 0,5)
A töltővíz értékét meghaladó nitrátkoncentráció [mg/l]	max. 20
Összes szerves szén (TOC) [mg/l]	max. 4,0
Redoxpotenciál Ag/AgCl és 3,5 M KCl vizes oldatában [mV]	min. 650
pH-érték	6,8 ... 7,6
Szabad aktív klór (cianursav nélkül) [mg/l]	0,3 ... 1,5
Szabad klór cianursavval együtt használva [mg/l]	1,0 ... 3,0
Cianursav [mg/l]	max. 100
Kombinált klór [mg/l]	max. 0,5 (lehetőleg kevesebb mint 0,0 mg/l)

**MEGJEGYZÉS:** A kémiai egyensúly hiánya által okozott károokra nem vonatkozik a garancia. A medencében használt vegyszerek potenciálisan mérgezők, ezért óvatosan kezelendők. A vegyszergőzők és a vegyszertároló edények helytelen címkézése súlyos egészségügyi kockázatot jelentenek. A vegyi karbantartással kapcsolatos további információikért forduljon a legközelebbi medencefogalmazóhoz. Szigorúan tartsa be a vegyszer gyártójának utasításait. A medencének a vegyszerek nem rendeltetésszerű használatából és a medencevíz rossz kezeléséből eredő károsodására a jótállás nem érvényesíthető.

**FONTOS:** A vegyszerek túlzott használata elszínezheti a grafikát, illetve a medenceanyag teljes felületét. Továbbá károsíthatja a medencebevonat szerkezetét.

## A medence tisztán tartása:

1. A vegyszerekre és pH készletekre vonatkozó tanácsadás és beszerzési csatornák tekintetében tájékozódjon a helyi, uszodakellékeket forgalmazó boltnál A bevonat élettartama leghatékonyabban a víz folyamatosan tisztán és egészséges szinten tartásával hosszabbítható meg. A vegyszerekkel végzett vízkezelés ügyében szigorúan kövesse a szakemberek utasításait.
2. Helyezzen egy vödör vizet a medence mellé, amelyben a felhasználók leöblíthetik a lábukat, mielőtt a medencébe lépnének.
3. Fedje le a medencét, amikor nem használja.
4. A szennyeződések lerakódását megelőzendő szabályos időközönként tisztítsa meg a vízfelületet.
5. Szabályos időközönként ellenőrizze és mossa át a szűrőkazettát.
6. Óvatosan távolítson el bármilyen szennyeződést a felső gyűrű alól egy tiszta törőlkendő segítségével.
7. Esőzések esetén figyeljen arra, hogy a vízszint ne legyen magasabb a javasoltnál. Ellenkező esetben TÁVOLÍTSA EL A VÍZFELESLEGET.
8. Eső esetén ellenőrizze, hogy a vízszint nincs-e magasabban a megadott szintnél. Ha a víz a megadott szint fölé megy, eressze le a medencét a megadott szintig.

## A megfelelő karbantartás maximalizálhatja a medence élettartamát.

Az üzemszempontból használt évszakában a szűrőrendszer működtesse kötelezően napi rendszerességgel, illetve elég hosszán ahhoz, hogy a rendszer átforgassa legalább egyszer a teljes vízmennyiséget.

**MEGJEGYZÉS:** A szivattyú a víz keringtetésére és a kis részecskék kiszűrésére szolgál. A víz tiszta és higiénikus állapotának megtartása érdekében a vízhez vegyszereket is kell adnia.

## Javítás

Szivárgás esetén a mellékelt víz alatti öntapadós javítótapasz segítségével ragassza meg a medencét. Az utasítások megtalálhatók a [www.bestwaycorp.com](http://www.bestwaycorp.com) webhelyünk ügyféltámogatás részének GYIK oldalán.

## Tárolás

1. Távolítsa el a medence összes tartozékát és pótkatrészét, majd tisztítsa és szárítsa után tegye el őket.
2. Tárolja a bevonatot és a tartozékokat száraz, 5 ... 38 °C (41 ... 100 °F) hőmérsékletű helyen.
3. Esős időszakban a medencét és annak tartozékait szintén a fenti utasítások szerint kell tárolni.
4. A medence nem megfelelő leürítése súlyos személyi sérülést és/vagy tárgyi kárt okozhat.
5. Nagyon javasoljuk, hogy a holt szezonban (téli hónapok) szerelje szét a medencét. Tárolja száraz, gyermekek számára hozzáférhetetlen helyen.

Ha a medencét téli re a akarja szerelni, kérjük, tartsa be az alábbi utasításokat:

**FONTOS:** Ne eressze le az összes medencevizet, mert a medence erős szélben megsérülhet. Eressze le a vizet addig, hogy a szintje a medencefalán található bemeneti szelep alatt 10 cm-re legyen.

1. Eressze le a vizet addig, hogy a szintje a medencefalán található bemeneti szelep alatt 10 cm-re legyen. Használhat szivattyút vagy kerti slagot (28. és 29. ábra).
2. Kezelje a medencevizet megfelelő vegszerrel.
3. Távolítsa el a szűrőrendszert a medencéből. A bemeneteket/kimeneteket a medencére rögzítve hagyhatja.
4. Egyúttal távolítson el minden egyéb medencei tartozékot, és tárolja őket száraz hűvös helyen.
5. Védje a medencét a medencefedéllel.

Ha a medencét téli re a akarja szerelni, kérjük, tartsa be az alábbi utasításokat:

1. Kerti tömlővel ürítse le a medencét, vagy használjon leeresztőszivattyút (28. ábra).
2. Szemleges pH-jú szappanos vízbe mártott szivaccsal tisztítsa meg a medence összes részlegységét. Majd szárítsa meg őket, és rendben elrakva tárolja száraz, tiszta helyen.





## HYDRUM™ OVALA POOLER ÅGARMANUAL

Besök Bestway YouTube kanal

### ⚠ VARNING

Läs noggrant, förstå, och följ all information i användarmanualen innan du installerar och använder swimmingpoolen. Dessa varningar, instruktioner och säkerhetsanvisningar handlar om några vanliga risker i samband med vattenlekar, men de täcker inte alla risker och faror för alla tillfällen. Var alltid försiktig, använd vanligt förnuft och gott omdöme när du njuter av aktiviteter i vattnet. Bevara den här informationen för framtida bruk.

#### Säkerhet för icke simkunniga

- För de personer som är dåliga på att simma eller inte är simkunniga (kom ihåg att barn under fem år lider största risken för drunkning) krävs det en ständig och aktiv övervakning av en vuxen person.
- Utse en vuxen person att övervaka poolen varje gång den används.
- Dåliga simmare eller ej simkunniga personer bör använd personlig räddningsutrustning när de använder poolen.
- När poolen inte används, eller om den är övervakad, ta då bort alla leksaker från swimmingpoolen och runt omkring den för att undvika att barn dras till poolen.

#### Säkerhetsanordningar

- För att undvika drunkningsolyckor med barn rekommenderar vi att säkra tillträdet till poolen med en skyddsanordning. För att undvika att barn klättrar från inloppsventilen och utloppsventilen rekommenderar vi att ett hinder installeras (och att säkra alla dörrar och fönster där det är möjligt) för att undvika att icke behöriga personer får tillträde till swimmingpoolen.
- Hinder, poolöverdrag, poolalarm, eller liknande säkerhetsanordningar är bra hjälpmedel, men de ersätter inte en ständig och kompetent övervakning av en vuxen person.

#### Säkerhetsutrustning

- Vi rekommenderar att ha räddningsutrustning (ex. livboj) bredvid poolen.
- Förvara en fungerande telefon och en lista på nödnummer bredvid poolen.

#### Säker användning av poolen

- Uppmuntra alla användarna, framförallt barnen, att lära sig att simma.
- Lär dig grundläggande livsupphållande åtgärder (hjärt- och lungräddning - CPR) och uppdatera denna kunskap regelmässigt. Detta kan utgöra skillnaden vid en livräddning i en nödsituation.
- Ge alla användarna, inklusive barnen, instruktioner om vad man ska göra i händelse av en nödsituation.
- Dyk aldrig i grunt vatten. Det kan leda till allvariga skador eller till döden.
- Gå inte i swimmingpoolen när du har druckit alkohol eller tagit medicin som kan försämra din förmåga att använda poolen på ett säkert sätt.
- Om poolöverdrag finns på poolen, ta då bort det fullständigt från vattenytan innan du går i poolen.
- Skydda poolanvändarna från vattenrelaterade sjukdomar genom att behandla poolvattnet och genom att praktisera en god hygien. Läs i användarmanualen om riktlinjerna för vattenbehandlingar.



- Förvara kemikalier (t.ex. vattenbehandling, rengörings- och desinfekteringsprodukter) oåtkomliga för barn.
- Använd nedanstående skyltar. Skyltarna ska finnas på en framträdande plats inte längre än 2 meter från poolen.
- Håll barnen under uppsikt i vattenområdet. Ingen dykning.
- Flyttbara stegar ska placeras på en horisontell yta.
- Oavsett det material som använts för tillverkning av poolen, måste alla tillgängliga ytor regelbundet kontrolleras för att undvika skador.
- Kontrollera regelbundet bultar och skruvar, ta bort flors eller vassa kanter för att undvika skador.

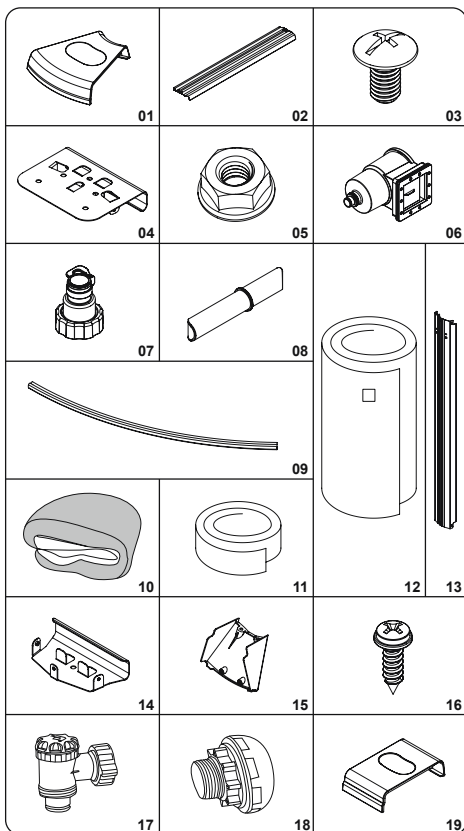
- **VAR UPPMÄRKSAM PÅ:** Lämna inte den tömda poolen utomhus. Se samma poolen riskerar att bli deformerad och/eller förflyttad pga. vinden.
- Om du har en filter pump, läs då i pumpmanualen för vidare instruktioner.
- **WARNING!** Pumpen får inte användas då det finns människoknuti poolen!
- Om du har en stega, läs då stegens manual för vidare instruktioner.

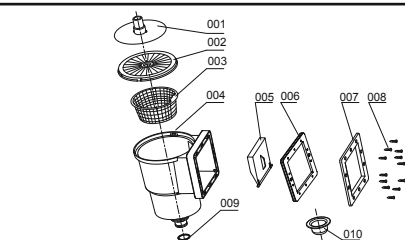
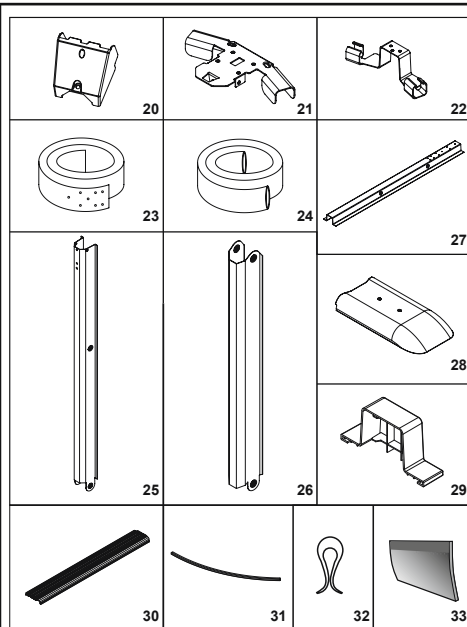
**WARNING!** Användningen av en swimmingpool innebär samtycke till säkerhetsinstruktionerna som beskrivs i användar- och underhållsmanualen. För att undvika drunkning och andra allvariga händelser, måste man vara särskilt försiktig när det gäller risken att barn under 5 år får oförutsett tillträde till swimmingpoolen. Säkra tillträdet till poolen och håll barnen under konstant uppsikt av en vuxen under badtillfällena.

**OBS!** När poolen installeras ska skimmerns position vara mitt emot den vanligaste vindriktningen. Placeringen av stegen i poolen ska vara långt ifrån skimmern.

**Läs noggrant och bevara för framtida behov.**

### Komponenter





#### SKIMMERNS KOMPLEMENTLISTA

Nr.	Namn	Antal	Reservdels nr.
001	Fäste till slang	1	P6774ASS16
002	Skydd	1	P6991ASS16
003	Korg	1	P6776ASS16
004	Skimmer	1	P6777ASS16
005	Lock	1	P6992ASS16
006	Packning	1	P6993ASS16
007	Frontplåt	1	P6780ASS16
008	M5x22 skruv	12	/
009	O-ring	1	/
010	Plugg	1	P6813ASS16

#### Nödvändiga verktyg (ej inkluderade):



Installationen tar vanligtvis ungefär 3 timmar med 2-3 personer, men omfattar då inte markarbetet och fyllning.

Nr.	Namn	Material	56586;56587		56369;56370	
			5.00 m x 3.60 m x 1.20 m (16'5" x 12' x 48")		6.10 m x 3.60 m x 1.20 m (20' x 12' x 48")	
			Antal	Reservdels nr.	Antal	Reservdels nr.
1	Övre sammanfogningsskydd	PP	8	P6743ASS16	8	P6743ASS16
2	Lång övre ram	Belagt stål	10	P6745ASS16	6	P6745ASS16
3	M6x11 bult	Rostfritt stål 304	170	P6746ASS16	214	P6746ASS16
4	Övre metalldel	Stål	8	P6747ASS16	8	P6747ASS16
5	M6 mutter	Rostfritt stål 304	52	P6748ASS16	74	P6748ASS16
6	Skimmer		1	P6762ASS16	1	P6762ASS16
7	Adapter till slang		2	F6H202ASS16	2	F6H202ASS16
8	Listanslutning	PP	32	P6990ASS16	32	P6990ASS16
9	Lång list	PVC	20	P61236ASS16	12	P61237ASS16
10	Liner	PVC	1	56286ASS18	1	56369ASS18
11	3M Självhäftande tejp		1	P6756ASS16	1	P6756ASS16
12	Stålvägg	Belagt stål	1	P61447ASS17	1	P61448ASS17
13	Pool vertikalt stöd	Belagt stål	8	P6757ASS16	8	P6757ASS16
14	Nedre metalldel	Stål	8	P6761ASS16	8	P6761ASS16
15	Nedre sammanfogningsskydd	PP	8	P6759ASS16	8	P6759ASS16
16	ST4x14 skruv	Rostfritt stål 304	22	P61491ASS17	28	P61491ASS17
17	Regleringsventil		1	P6(H2)510ASS18	1	P6(H2)510ASS18
18	Pool inloppsfilter		1	P6(H2)1317ASS18	1	P6(H2)1317ASS18
19	Sida övre sammanfogning	PP	2	P6800ASS16	4	P6800ASS16
20	Sida nedre sammanfogning	PP	2	P6801ASS16	4	P6801ASS16
21	Sida övre metalldel	Stål	2	P6802ASS16	4	P6802ASS16
22	Sida nedre metalldel	Stål	2	P6826ASS16	4	P6826ASS16
23	Stålräm	Stål	1	P6810ASS16	2	P6810ASS16
24	Stålräm skydd	PVC	1	P6811ASS16	2	P6811ASS16
25	Sida vertikalt stöd	Belagt stål	2	P61249ASS16	4	P61249ASS16
26	Sida sidostöd	Belagt stål	2	P61250ASS16	4	P61250ASS16
27	Sida nedre stöd	Stål	2	P6827ASS16	4	P6827ASS16
28	Inuti nedre skydd	PP	2	P6828ASS16	4	P6828ASS16
29	Sida nedre skydd	PP	2	P61251ASS16	4	P61251ASS16
30	Kort övre ram	Belagt stål	/	/	6	P61234ASS16
31	Kort list	PVC	/	/	12	P61238ASS16
32	Klämmor	Plast	20	/	20	/
33	Skumskydd	EPE	8	P61473ASS16	8	P61473ASS16

## ATT VÄLJA EN PASSANDE PLATS

### VARNING: Nivellering är oerhört viktigt.

Välj noggrant ut en plats för din nya pool. Det är det viktigaste beslutet som du måste ta för att försäkra dig om säkerhet och gott resultat för poolens konstruktion. En dåligt vald plats kan orsaka problem i framtiden som i sin tur kan orsaka skador, dödsolyckor eller ekonomisk förlust. Läs nedanstående kontrollista ordentligt när du ska välja var du ska sätta upp din pool.

### Godtagbart:

Ett platt, plant, fast och torrt underlag med enkel åtkomst till alla poolens sidor

Direkt soljor på morgonen är att föredra

Säker åtkomst till ström för att driva filterpumpen och andra pooltillbehör

Lätt tillgänglighet för vatten

Skydd från vinden

### Ej godtagbart:

Sluttning, ojämn mark

Sandig, stenig eller blöt mark

Nära en konstruktion i trä (dvs. en pergola eller plankgolv)

Bredvid träd

Ovan hängande kablar och klädlinor

Dräneringar, elektriska kablar eller gasrör under platsen

Dåligt eller liten dränering

Platser med risk för översvämningar

Starka vindförehållanden

**OBS!** Ta hellre bort den högre delen av marken än att fylla den lägre delen av marken. Allt gräs och alla grästuvor under själva poolområdet måste tas bort.

## MONTERING AV POOLEN

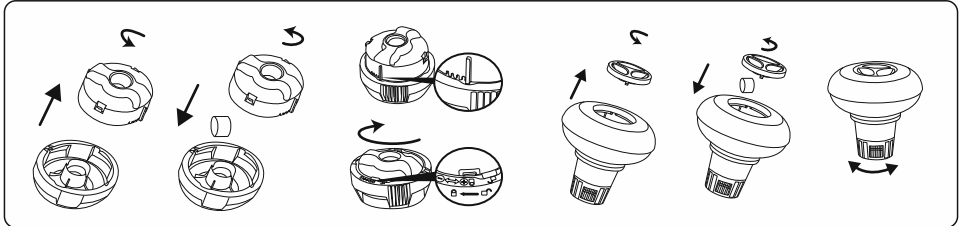
Studera de olika stegen i figuren.

## Poolskötsel

Om du inte följer de riktlinjer för underhåll som följer nedan, kan din hälsa vara i riskzonen och särskilt dina barns.

### Att använda kemiska tabletter (ej inkluderade)

**OBS!** När du utför kemiskt underhåll med tabletter måste Chemconnect eller en kemisk flottör användas. Din köpta artikel kanske inte inkluderar Chemconnect eller kemisk flottör. I detta fall kan du köpa en dispenser genom att besöka vår webbplats [www.bestwaycorp.com](http://www.bestwaycorp.com) eller hos närmaste poolåterförsäljare.



**VIKTIGT:** Använd inte tabletter i granulerad form och kasta inte tablettens direkt i vattnet. Kemikalierna kan fastna på botten, skada materialet och missfärga PVC-materialet.

### Att använda kemisk vätska (ej inkluderad)

**VIKTIGT:** Tillsätt kemisk vätska i små doser i mitten av poolen. På så sätt förhindras direkt kontakt mellan kemikalierna och PVC-ytan. Direkt kontakt kan skada materialet och missfärga ytan.

**OBS!** Ta bort den kemiska dispensern från poolen när poolen används.

**VIKTIGT:** Efter att ha utfört kemiskt underhåll och innan du använder poolen, använd ett testkit (ingår ej) för att testa vattenkemin. Vi rekommenderar att du håller ditt vatten enligt följande tabell.

Parametrar	Värden
Vattnets klarhet	Tydlig sikt över poolbotten
Vattnets färg	Vattnet ska vara genomskinligt
Turbiditet FNU/NTU	max. 1,5 (helst mindre än 0,5)
Koncentrationen av nitrat över fyllt vatten i mg/l	max. 20
Totalt organiskt kol (TOC) i mg/l	max. 4,0
Redoxpotential mot Ag/AgCl 3,5 m KCl i mV	min. 650
pH-värde	6,8 till 7,6
Fritt klor (utan cyanursyra) i mg/l	0,3 till 1,5
Fritt klor som används i kombination med cyanursyra i mg/l	1,0 till 3,0
Cyanursyra i mg/l	max. 100
Kombinerad klorin i mg/l	max. 0,5 (helst nära 0,0 mg/l)

**OBS!** Skador till följd av kemisk obalans täcks inte av garantin. Poolkemikalier är potentiellt giftiga och bör hanteras med försiktighet. Det finns allvarliga hälsorisker med kemiska ängor och felaktig märkning och lagring av kemiska behållare. Kontakta din lokala poolåterförsäljare för mer information om kemiskt underhåll. Ägna stor uppmärksamhet åt de instruktioner som tillverkaren av kemikalerna har givit. Poolskada till följd av felaktig användning av kemikalier och misskötsel av badvattnet täcks inte av garantin.

**VIKTIGT:** Överanvändning av kemikalier kan missfärga poolens interiör och själva poolmaterialet. Det kan också skada pooldukens struktur.

## För att hålla ditt poolvatten rent

1. Kontakta din lokala poolåterförsäljare för rådgivning och köp av kemikalier och pH-satsar. En av de viktigaste faktorerna för att öka livslängden av poolduken är att hålla vattnet kontinuerligt rent och friskt. Följ noggrant anvisningarna från professionella tekniker för vattenbehandling genom användning av kemikalier.
2. Ställ en hink med vatten bredvid poolen för att rengöra fötterna innan du går in i poolen.
3. Täck över poolen när den inte används.
4. Använd regelbundet skimmer för att undvika att smuts sätter sig fast.
5. Kontrollera och rengör regelbundet filterpatronen.
6. Använd en ren trasa och rengör försiktigt under toppringen för att ta bort allt skum.
7. Var noga med regnvatten, kontrollera alltid att vattennivån inte är högre än beräknat. Om så är fallet måste du tömma överflödigt vatten.
8. Om det regnar, kontrollera att vattennivån inte är högre än den angivna nivån. Om vattennivån överskrider de angivna nivåerna, töm poolen till den angivna nivån.

## Korrekt underhåll kan göra att poolen håller längre.

Under badsäsongen måste filtersystemet vara igång dagligen, tillräckligt lång tid för att garantera att allt vatten byts ut.

**OBS!** Pumpen används för att cirkulera vattnet och filtrera bort små partiklar. För att hålla ditt poolvatten rent och hygieniskt måste du tillsätta kemikalier.

## Reparation

I händelse av läcka kan du lappa din pool med den medföljande lagningslappen för användning under vatten. Du kan hitta instruktionerna i vanliga frågor på hjälpavdelningen på vår webbplats, [www.bestwaycorp.com](http://www.bestwaycorp.com).

## Förvaring

1. Ta bort alla tillbehör och reservdelar på poolen och förvara dem rent och torrt.
2. Förvara linern och tillbehör på en torr plats med moderat temperatur mellan 5°C / 41°F och 38°C / 100°F.
3. Under den regniga årstiden, ska poolen och tillbehören också förvaras som ovan beskrivet.
4. Felaktig tömning av poolen kan orsaka allvarliga personsador och/eller personliga egendomsskador.
5. Vi rekommenderar absolut att poolen ska monteras ned under lågsäsongen (vintermånaderna). Förvaras på en torr plats utom räckhåll för barn.

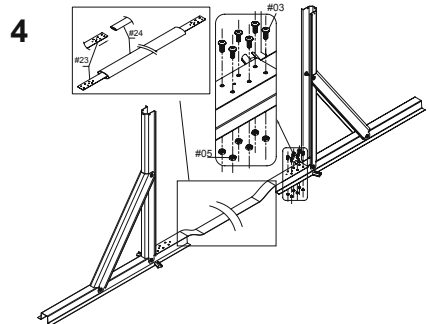
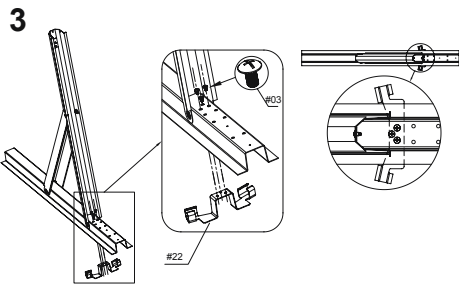
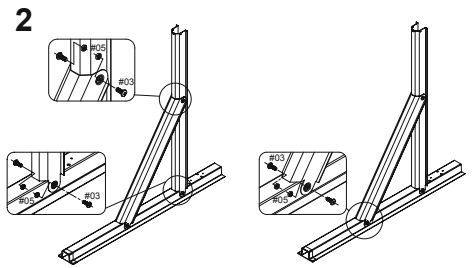
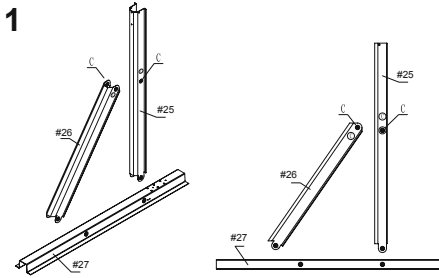
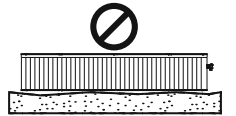
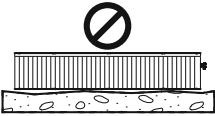
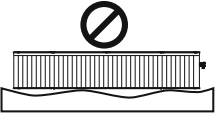
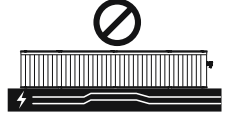
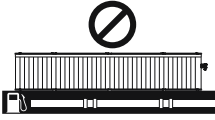
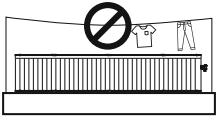
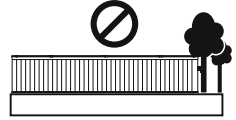
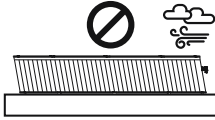
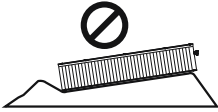
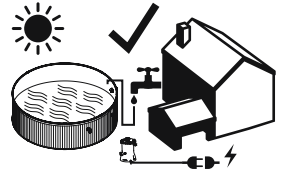
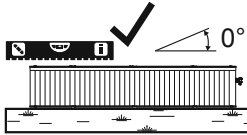
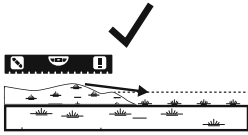
Om du inte vill montera ner poolen under vintern, följ följande anvisningar:

**VIKTIGT:** Töm inte poolen på allt vatten. Om du gör det kan poolen skadas av stark vind. Töm vattnet till 10cm under inloppsventilen på poolväggen.

1. Töm vattnet till 10cm under inloppsventilen på poolväggen. Använd en pump eller en trädgårdsslang (Bild 28, 29).
2. Behandla poolvattnet med lämpliga kemikalier.
3. Avlägsna filtersystemet från poolen. Du kan låta inloppet/utloppet sitta kvar på poolen.
4. Avlägsna också alla pooltillbehör och förvara dem torrt och svalt.
5. Skydda poolen med poolöverdraget.

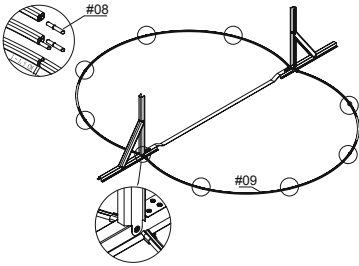
Om du vill montera ner poolen under vintern ska du observera följande instruktioner:

1. Töm poolen med hjälp av en trädgårdsslang eller använd entömningspump för att tömma poolen (Bild 28).
2. Rengör alla pooldelarna med en svamp och en tvål med neutralt pH värde. Torka dem och förvara dem på en torr och ren plats.

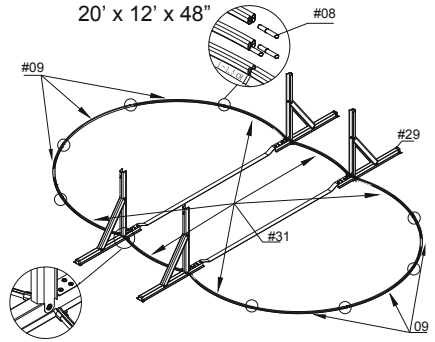


5

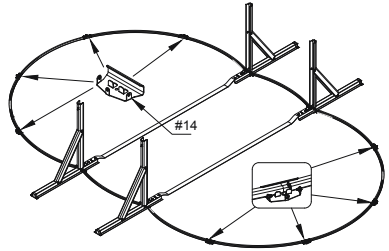
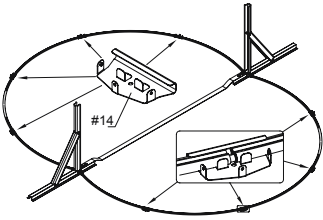
16'5" x 12' x 48"



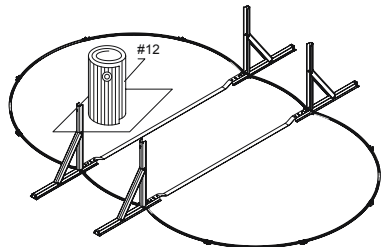
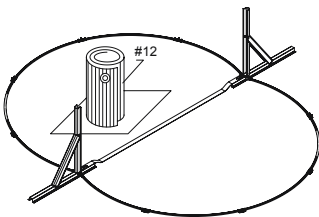
20' x 12' x 48"



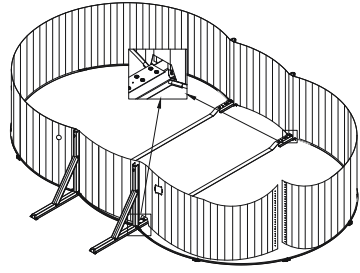
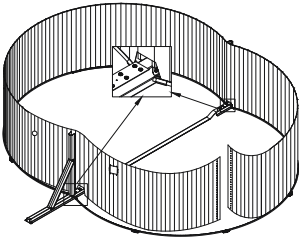
6



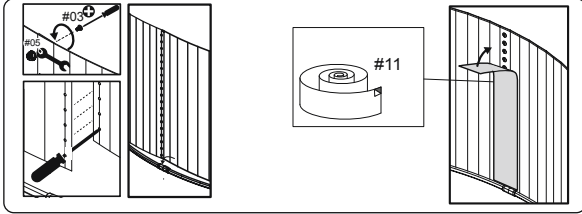
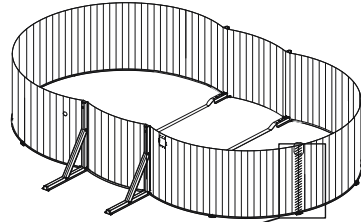
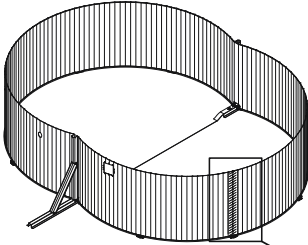
7



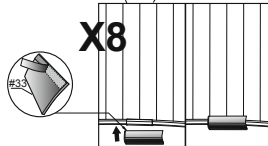
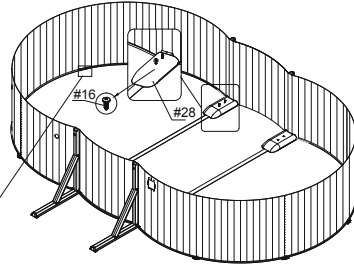
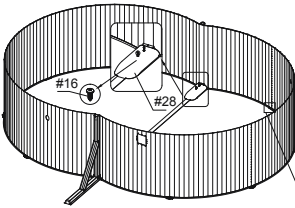
8



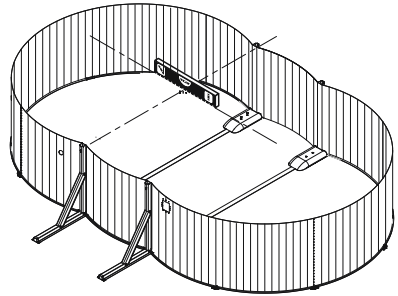
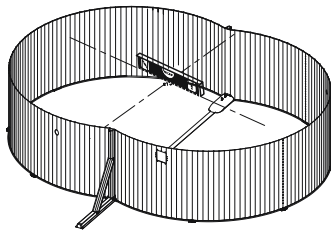
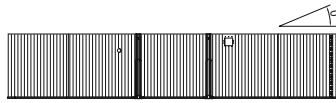
9



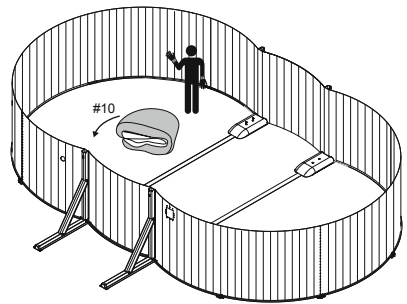
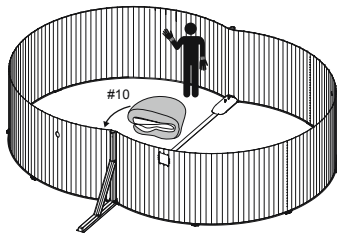
10



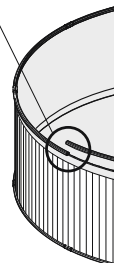
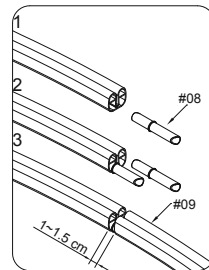
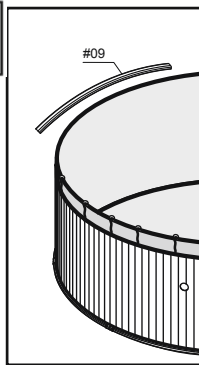
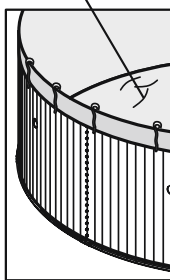
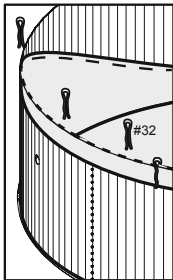
11



12

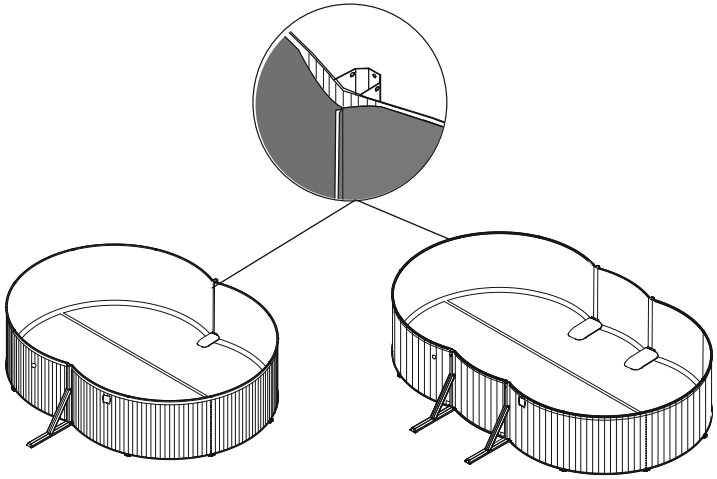


13

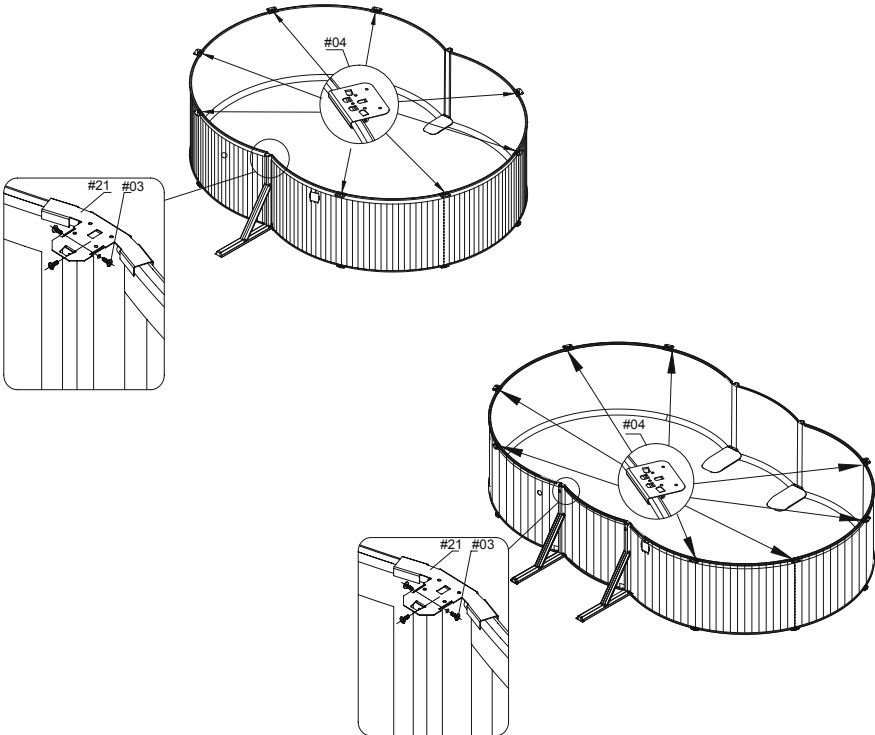




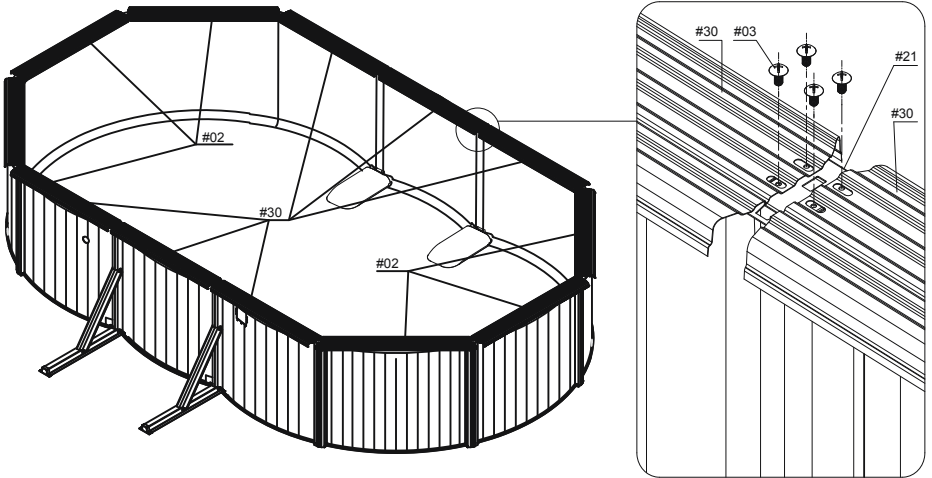
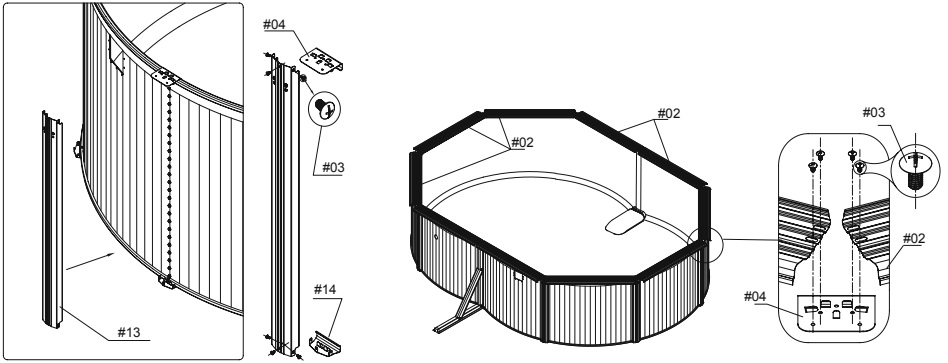
14



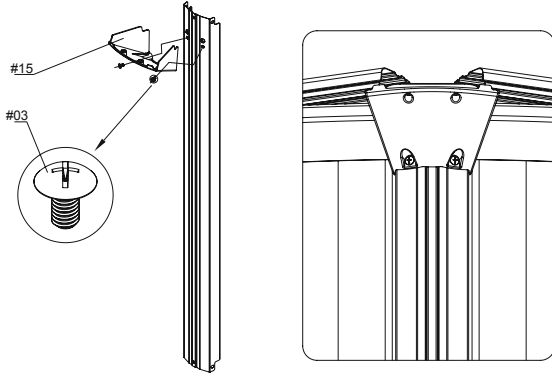
15



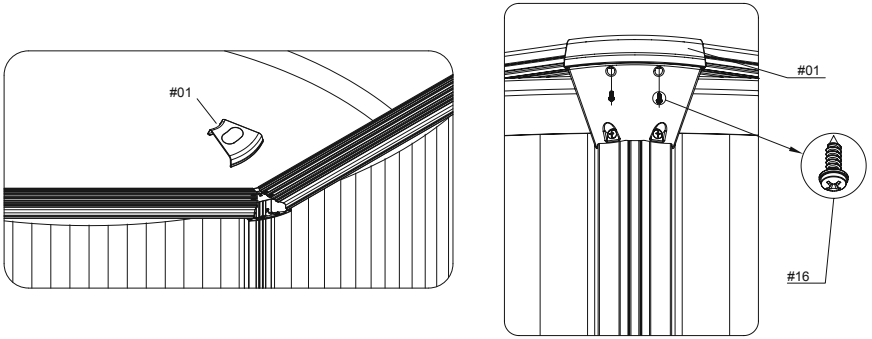
16



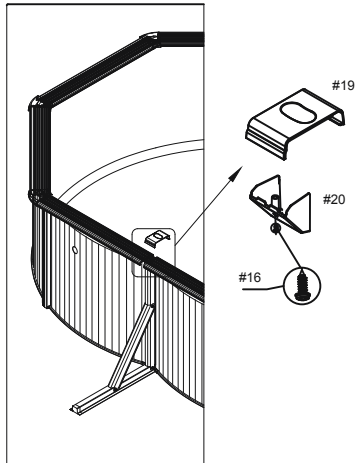
17



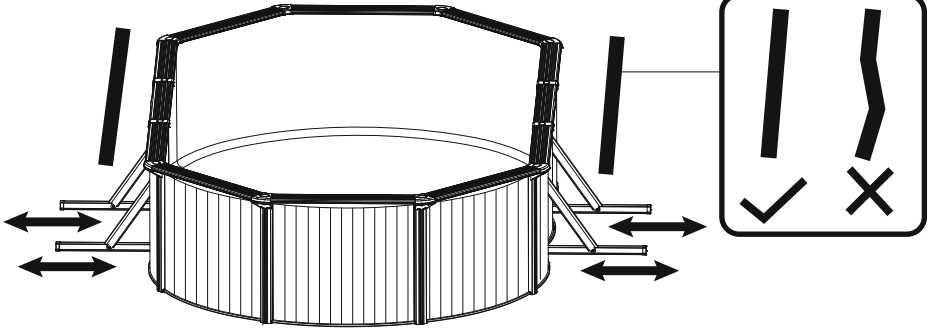
18



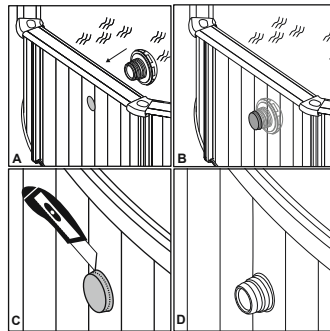
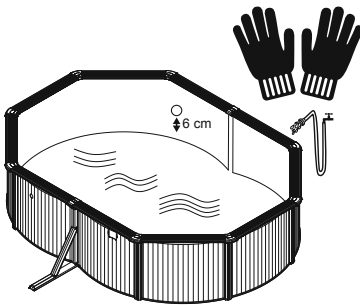
19



20



21



**NOTE:** Before connecting valve to the pool, fill the pool leaving 5 - 6 cm of space between the position of the connection valve and water surface.

**WARNING!** Never permanently install the connection valve before the water is within a few centimeters of them because the liner has to be properly taut from the pressure of the water.

**NOTE:** Be careful the splinters or any sharp edges when cutting the pool.

**IMPORTANT:** Cutting more liner than necessary will damage and void the pool liner, so please trim with extra care.

**NOTA:** Antes de ligar a válvula à piscina, encha a piscina deixando 5 - 6cm de espaço entre a posição da válvula de ligação e a superfície da água.

**ATENÇÃO!** Nunca instale permanentemente a válvula de ligação antes da água estar a alguns centímetros de distância, porque o revestimento deve estar devidamente esticado com a pressão da água.

**NOTA:** Tome cuidado com as lascas ou quaisquer arestas afiadas quando cortar a piscina.

**IMPORTANTE:** O corte de mais forro do que o necessário pode danificar e esvaziar o forro da piscina, assim, apare com especial cuidado.

**NOTA:** Antes de conectar la válvula a la piscina, llene la piscina dejando unos 5/6 cm de espacio entre la posición de la válvula de conexión y la superficie del agua.

**¡ADVERTENCIA!** No proceda a realizar la instalación definitiva de la válvula de conexión antes de que el agua se encuentre a unos centímetros de ellos, ya que el revestimiento debe estar perfectamente estirado bajo la presión del agua.

**NOTA:** Preste atención a las astillas y a los bordes afilados cuando corte la piscina.

**IMPORTANTE:** Recortar más revestimiento del estrictamente necesario provocará daños y dejará la garantía del revestimiento sin validez. Le rogamos que exteme las precauciones al recortar.

**HINWEIS:** Füllen Sie den Pool bis zu einer Höhe von 5 - 6cm zwischen der Position des Anschlussventils und der (späteren) Wasseroberfläche mit Wasser, bevor Sie das Ventil am Pool befestigen.

**WARNUNG!** Installieren Sie das Anschlussventil nie dauerhaft, bevor der Pool nicht bis zu einer Höhe von einigen Zentimetern unterhalb der hierfür vorgesehenen Öffnungen mit Wasser gefüllt ist, da die Innenverkleidung durch den Wasserdruck erst korrekt gespannt werden muss.

**HINWEIS:** Seien Sie vorsichtig beim Zerschneiden des Pools und nehmen Sie sich in Acht vor Spänen, Spreißen und scharfen Kanten.

**WICHTIG:** Schneiden Sie nicht mehr Innenverkleidung ab, als unbedingt erforderlich, da dies die Innenverkleidung beschädigt und unbrauchbar macht. Gehen Sie daher beim Entfernen mit besonderer Sorgfalt vor.

**HUOMAA:** Täytä allas ennen ventiliin kytkemistä altaaseen jättäen 5–6 cm tilaa liitäntäventiliin ja vedenpinnan välille.

**VAROITUS!** Älä koskaan asenna liitäntäventiliä kiinteästi, ennen kuin veden pinta on muuttaman senttimetrin päässä niistä, koska allasmuovi on ensin saatava riittävän kireälle veden paineen avulla.

**HUOMAA:** Varo tikkuja tai muita teräviä reunoja, kun leikkaat allasta.

**TÄRKEÄÄ:** Jos allasmuovia leikataan enemmän kuin on tarpeen, allasmuovi vaurioituu ja se on hyödytön, joten ole erityisen huolellinen leikatessasi.

**OPMERKING:** Voorealer de klep te verbinden met het zwembad, vul het zwembad en laat daarbij 5 - 6 cm ruimte tussen de positie van de aansluitingsklep en het wateroppervlak.

**WAARSCHUWING!** Installeer nooit de aansluitingsklep permanent voor het water binnen enkele cm ervan staat omdat de bekleding strak genoeg moet zijn door de druk van het water.

**OPMERKING:** Wees voorzichtig voor splinters of scherpe randen bij het snijden van het zwembad.

**BELANGRIJK:** Meer bekleding afsnijden dan nodig zal de bekleding beschadigen, wees dus voorzichtig als u dit doet.

**NOTA:** Prima di collegare la valvola alla piscina, riempire la piscina lasciando 5-6 cm di spazio fra la posizione della valvola di collegamento e la superficie dell'acqua.

**AVVERTENZA!** Installare definitivamente la valvola di collegamento solo dopo che l'acqua arriva ad alcuni centimetri di distanza da essa, poiché il rivestimento deve essere teso adeguatamente con la pressione dell'acqua.

**NOTA:** Fare attenzione a schegge o bordi appuntiti quando si taglia la piscina.

**IMPORTANTE:** Tagliare in modo eccessivo potrebbe danneggiare il rivestimento, per cui l'operazione richiede particolare attenzione.

**REMARQUE:** Avant de raccorder la vanne à la piscine, remplissez la piscine en laissant 5 à 6 cm entre la position de la vanne de communication et la surface de l'eau.

**ATTENTION!** Ne montez jamais de manière permanente la vanne de communication avant que l'eau ne se trouve à quelques centimètres d'élé car la bache doit être correctement tendue par la pression de l'eau.

**REMARQUE:** Faites attention aux éclailles ou à toute arête vive quand vous découpez la piscine.

**IMPORTANT:** Si vous découpez plus de bache que le nécessaire, cela abîmera et rendra inutile la bache de la piscine, faites donc particulièrement attention lorsque vous la découpez.

**ΣΗΜΕΙΩΣΗ:** ΠΡΙΝ ΣΥΝΔΕΣΕΤΕ ΤΗ ΒΑΛΒΙΔΑ ΣΤΗΝ ΠΙΣΙΝΑ, ΓΕΜΙΣΤΕ ΤΗΝ ΠΙΣΙΝΑ ΑΦΗΝΟΝΤΑΣ ΑΠΟΣΤΑΣΗ 5 - 6εκ.ΜΤ. ΜΕΤΑΕΥ ΤΗΣ ΘΕΣΗΣ ΤΗΣ ΒΑΛΒΙΔΑΣ ΣΥΝΔΕΣΗΣ ΚΑΙ ΤΗΣ ΕΠΙΦΑΝΕΙΑΣ ΤΟΥ ΝΕΡΟΥ.

**ΠΡΟΕΙΔΟΠΟΙΗΣΗ!** ΠΟΤΕ ΜΗΝ ΤΟΠΟΘΕΤΕΙΤΕ ΤΗ ΒΑΛΒΙΔΑ ΣΥΝΔΕΣΗΣ ΠΡΙΝ ΤΟ ΝΕΡΟ ΦΤΑΣΕΙ ΕΝΤΟΣ ΜΕΡΙΚΩΝ ΕΚΑΤΟΣΤΩΝ ΑΠΟ ΑΥΤΑ, ΔΙΟΤΙ Η ΕΠΕΝΔΥΣΗ ΠΡΕΠΕΙ ΝΑ ΕΙΝΑΙ ΣΩΣΤΑ ΤΕΝΤΩΜΕΝΗ ΑΠΟ ΤΗΝ ΠΙΕΣΗ ΤΟΥ ΝΕΡΟΥ.

**ΣΗΜΕΙΩΣΗ:** ΠΡΟΣΕΧΤΕ ΓΙΑ ΑΚΙΔΕΣ Η ΑΙΧΜΗΡΕΣ ΑΚΜΕΣ ΟΤΑΝ ΚΟΒΕΤΕ ΤΗΝ ΠΙΣΙΝΑ.

**ΣΗΜΑΝΤΙΚΟ:** Η ΚΟΠΗ ΠΕΡΙΣΣΟΤΕΡΗΣ ΕΠΕΝΔΥΣΗΣ ΑΠΟ ΟΣΟ ΧΡΕΙΑΖΕΤΑΙ ΘΑ ΚΑΤΑΣΤΡΕΨΕΙ ΚΑΙ ΘΑ ΑΚΥΡΩΣΕΙ ΤΗΝ ΕΠΕΝΔΥΣΗ ΤΗΣ ΠΙΣΙΝΑΣ, ΓΙΑ ΑΥΤΟ ΠΑΡΑΚΑΛΟΥΜΕ ΚΟΨΤΕ ΜΕ ΜΕΓΑΛΗ ΠΡΟΣΟΧΗ.

**ПРИМЕЧАНИЕ:** Перед тем, как присоединить клапан к бассейну, наполните бассейн водой, не доходя 5-6 сантиметров до места расположения соединительного клапана.

**ВНИМАНИЕ!** Не закрепляйте окончательно соединительный клапан, пока вода не будет находиться в нескольких сантиметрах от них, так как чаша должна расправиться и плотно прилегать под давлением воды.

**ПРИМЕЧАНИЕ:** Будьте осторожны и следите за обломками и острыми углами, отрезая чашу.

**ΒΑΗΝΟ:** Если отрезать больше чаши, чем нужно, это может повредить и привести ее в негодность, поэтому отрезайте очень аккуратно.

**UWAGA:** Przed podłączeniem zaworu do basenu napełnij basen pozostawiając odstęp 5 – 6 cm między położeniem zaworu łączącego a powierzchnią wody.

**OSTRZEŻENIE!** W żadnym przypadku nie montuj na stałe zaworu łączącego przed napełnieniem basenu wodą do wysokości kilku centymetrów poniżej niego, ponieważ wkładka basenu musi się odpowiednio naprężyć pod naciskiem wody.

**UWAGA:** Podczas przecinania basenu uważaj na zadziory i ostre krawędzie.

**WAŻNE:** Nie przecinaj wykładziny więcej niż potrzeba, ponieważ spowoduje to jej uszkodzenie i zniszczenie – trnij z najwyższą ostrożnością.

**MEGJEGYZÉS:** A szelepnék a medencéhez csatlakoztatása előtt töltsd fel a medencét vízzel úgy, hogy a vízszint 5 vagy 6 cm-rel a csatlakozószelep helyzete alatt legyen.

**FIGYELMEZTETÉS!** Soha ne szereld be a csatlakozószelepet véglegesen, míg a víz nincs néhány centiméterre fölül, ugyanis a bevonatot a víz nyomásának megfelelően ki kell feszítenie.

**MEGJEGYZÉS:** A medence vágásakor vigyázzon a sorjakkal, illetve éles peremekkel.

**FONTOS:** Ha több bevonatot vág ki a szükségesnél, az a medencebevonat sérüléséhez és a garancia elvesztéséhez vezet, ezért a kivágást rendkívüli gondossággal végezd.

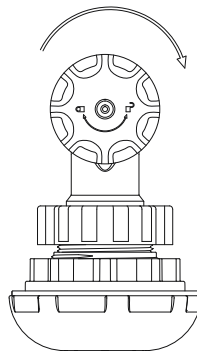
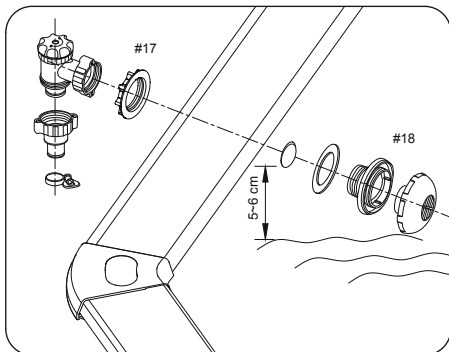
**OBS!** Innan du ansluter ventilierna till poolen, fyll poolen med vatten, men lämna 5 – 6cm utrymme mellan anslutningsventilens position och vattenytan.

**WARNING!** Installera aldrig anslutningsventilerna permanent innan vattnet når några centimeter under den, eftersom linern måste vara riktigt spänd men hjälpa av vattnets tryck.

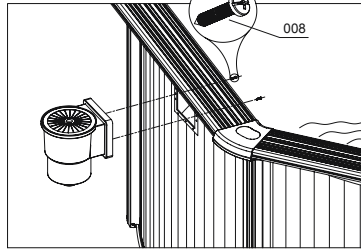
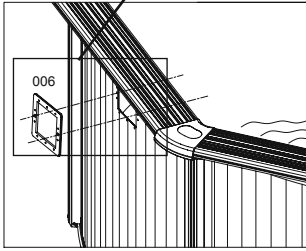
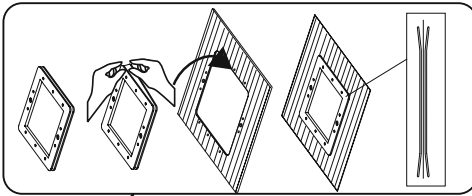
**OBS!** Var försiktig med fisorer eller andra vassa kanter när du skär poolen.

**VIKTIGT:** Att skära mer liner än nödvändigt kan skada och förstöra poolinern. Skär därför med extra noggrannhet.

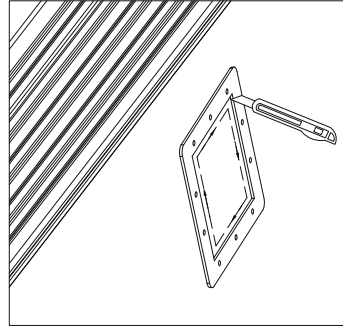
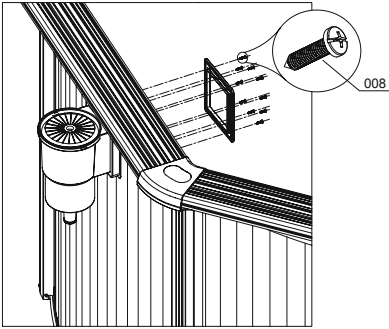
## 22



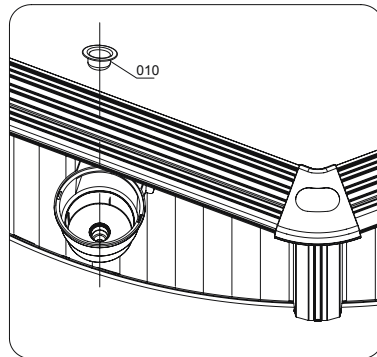
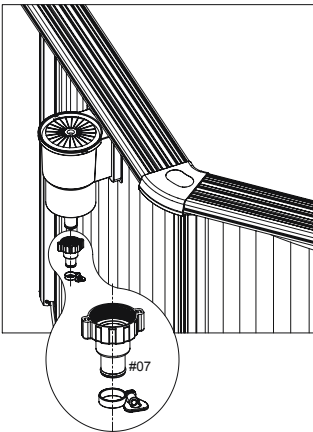
23



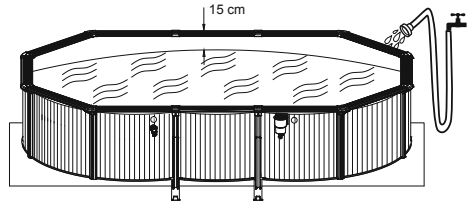
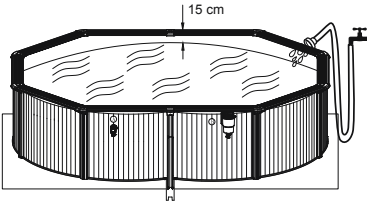
24



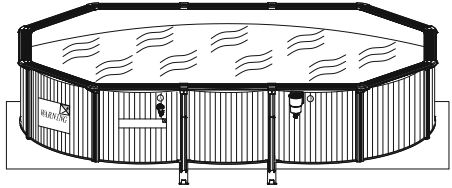
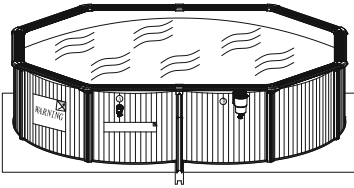
25



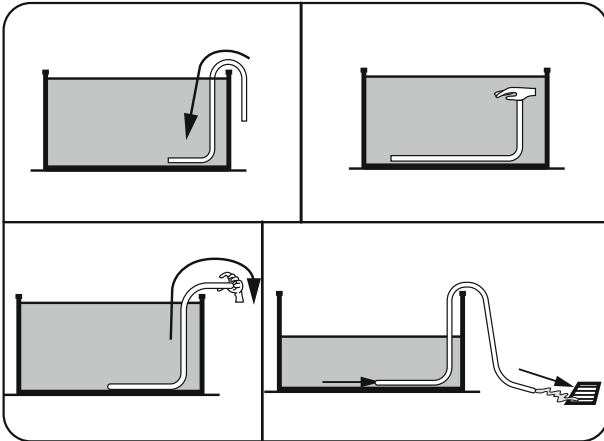
26



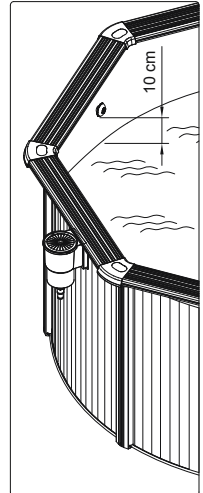
27



28



29





For support please visit us at:  
[bestwaycorp.com/support](http://bestwaycorp.com/support)

**©2020 Bestway Inflatables & Material Corp.**

All rights reserved/Tous droits réservés/Todos los derechos reservados/Alle Rechte vorbehalten/Tutti i diritti riservati

®™ Trademarks used in some countries under license to/

Marques ®™ utilisées dans certains pays sous la licence de/

Marcas comerciales ®™ utilizadas en algunos países bajo la licencia de/

®™ Die Warenzeichen werden in einigen Ländern verwendet unter Lizenz der/

®™ Marchi utilizzati in alcuni paesi concessi in licenza a

**Bestway Inflatables & Material Corp., No.3065 Cao An Road, Shanghai, 201812, China.**

Manufactured, distributed and represented in the European Union by/

Fabriqués, distribués et représentés dans l'Union Européenne par/Fabricado, distribuido y representado en la Unión Europea por/

Hergestellt, vertrieben und in der Europäischen Union vertreten von/Prodotto, distribuito e rappresentato nell'Unione Europea da

**Bestway (Europe) S.r.l., Via Resistenza, 5, 20098 San Giuliano Milanese (Milano), Italy**

Distributed in North America by/Distribués en Amérique du Nord par/Distribuido en Norteamérica por

**Bestway (USA) Inc., 3411 E. Harbour Drive, Phoenix, Arizona 85034, United States of America**

Tel: +86 21 69135588 (For U.S. and Canada)

Distributed in Latin America by/Distribué en Amérique latine par/Distribuido en Latinoamérica por/Distribuido en América Latina por

**Bestway Central & South America Ltda, Salar Ascotan 1282, Parque Enea, Pudahuel, Santiago, Chile**

Distributed in Australia & New Zealand by **Bestway Australia Pty Ltd, Unit 2/98-104 Carnarvon St Silverwater, NSW 2128, Australia**

Tel: Australia: (+61) 29 0371 388; New Zealand: 0800 142 101

Exported by/Exporté par/Exportado por/Exportiert von/Esportato da

**Bestway (Hong Kong) International Ltd./Bestway Enterprise Company Limited**

Suite 713, 7/Floor, East Wing, Tsim Sha Tsui Centre, 66 Mody Road, Kowloon, Hong Kong

[www.bestwaycorp.com](http://www.bestwaycorp.com)