

# SRP-2309-30-TW-CC

## 30W DALI DT8 DIMMABLE LED DRIVER



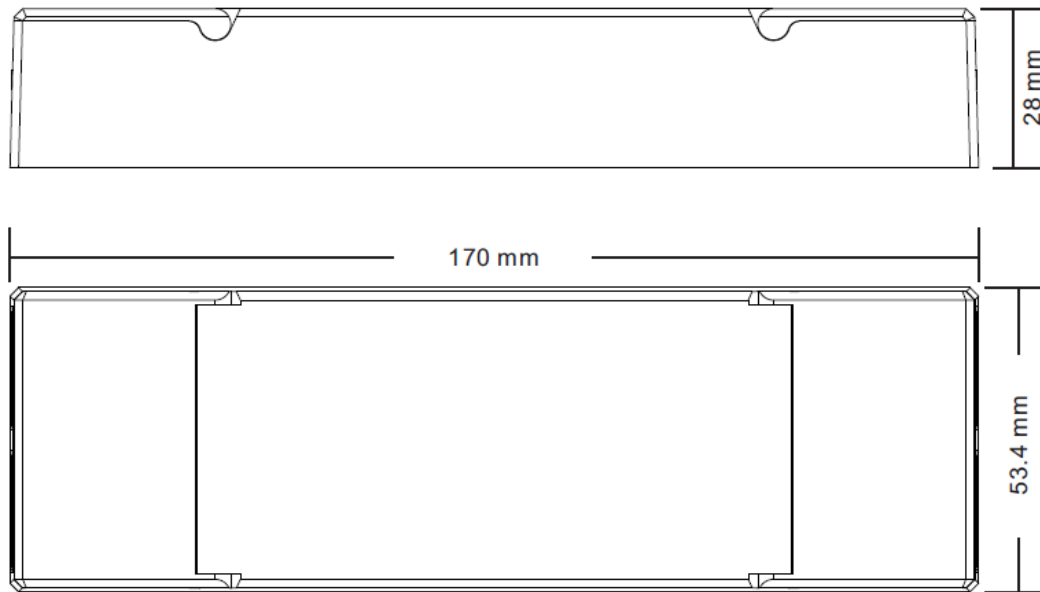
### Product Features

- DALI DT8 Dimmable LED driver for tunable white
- Max. output power 30W
- 2 channels 250-1000mA constant current output
- Dips to set the operation current
- Class 2 power supply, full isolated plastic case
- High power factor and efficiency
- Built-in DALI interface, DALI DT8 device
- Complies to IEC 62386-209:2011
- DALI DT8 device to control Warm White and Cool White output via a single DALI address
- Color temperature adjustment according to DALI specifications of Device Type 8, Color Type Tc.
- Compatible with universal DALI masters that support DT8 commands
- Error report function
- IP20 rating, suitable for indoor LED lighting applications
- 5 year warranty

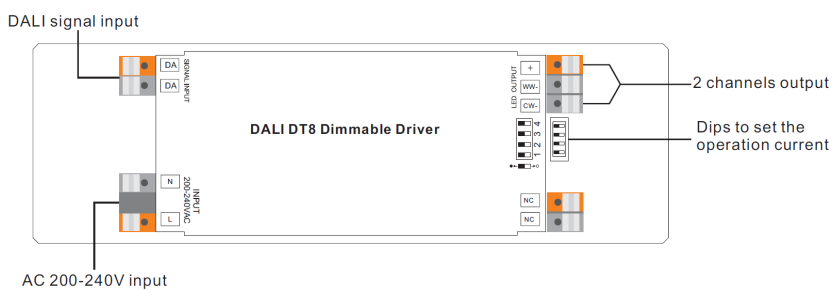
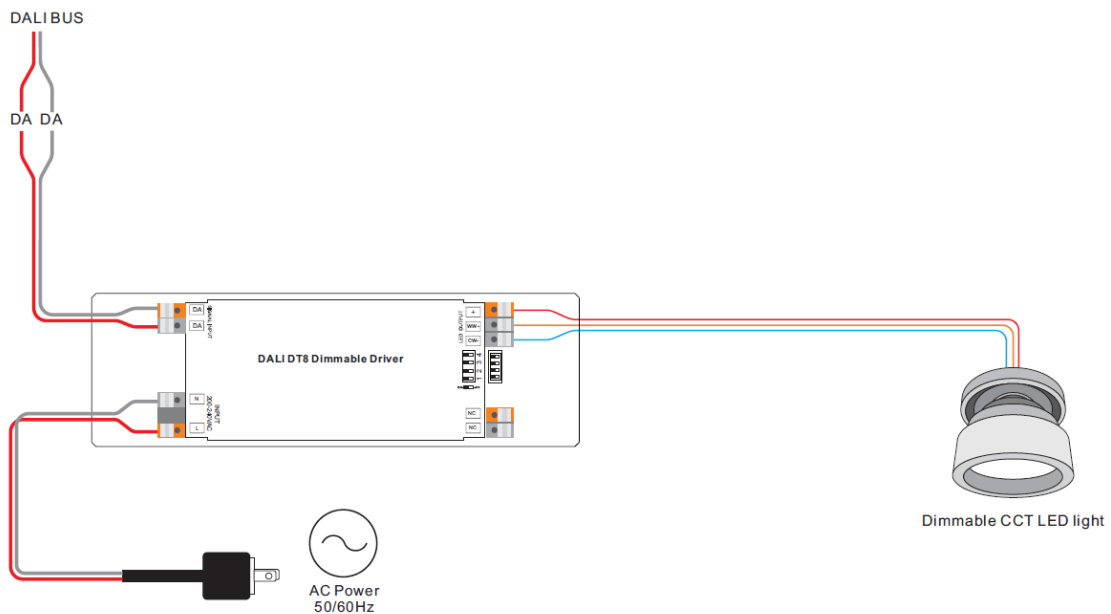
## Technical data

<b>INPUT</b>	<b>Voltage Range</b>	200-240V AC								
	<b>Frequency Range</b>	50/60Hz								
	<b>Power Factor (typ.)</b>	> 0.9								
	<b>Efficiency typ.</b>	87% @ 230VAC								
	<b>AC Current (typ)</b>	0.16A @ 230VAC								
	<b>Inrush Current (typ)</b>	COLD START Max. 2A at 230VAC								
	<b>Leakage Current</b>	< 0.5mA/230VAC								
<b>OUTPUT</b>	<b>LED Channel</b>	2								
	<b>Selectable Current</b>	<b>250mA</b>	<b>300mA</b>	<b>350mA</b>	<b>400mA</b>	<b>450mA</b>	<b>500mA</b>	<b>550mA</b>	<b>600mA</b>	
	<b>DC Voltage Range</b>	8-48V	8-48V	8-48V	8-48V	8-48V	8-48V	8-48V	8-48V	
	<b>Selectable Current</b>	<b>650mA</b>	<b>700mA</b>	<b>750mA</b>	<b>800mA</b>	<b>850mA</b>	<b>900mA</b>	<b>950mA</b>	<b>1000mA</b>	
	<b>DC Voltage Range</b>	8-46V	8-43V	8-40V	8-37V	8-35V	8-33V	8-31V	8-30V	
	<b>Current Tolerance</b>	+/- 3%								
	<b>DC Voltage Range</b>	8-48VDC								
	<b>Rated Power</b>	max. 30W								
	<b>PROTECTION</b>	<b>Short Circuit</b>	Yes, recovers automatically after fault condition is removed							
		<b>Over Temperature</b>	Yes, recovers automatically after fault condition is removed							
<b>Over Voltage</b>		Yes, recovers automatically after fault condition is removed								
<b>CONTROL</b>	<b>Dimming Interface</b>	DALI DT8								
	<b>Dimming Range</b>	0% - 100%								
	<b>Dimming Methode</b>	PWM, 1.5kHz								
<b>ENVIRONMENT</b>	<b>Working Tempetrature</b>	-20°C - + 45°C								
	<b>Max. Case Temperature</b>	85°C								
	<b>Working Humidity</b>	10%-95% RH non-condensing								
	<b>Storage Temperature</b>	-40°C - +80°C								
	<b>Storage Humidity</b>	10% - 95% RH								
	<b>IP Rating</b>	IP20 (suitable for indoor LED lighting applications)								
<b>Safety &amp; EMC</b>	<b>Safety Standards</b>	EN61347-1, EN61347-2-13 approved								
	<b>DALI Standards</b>	Comply with IEC 62386-209:2011								
	<b>Withstand Voltage</b>	I/P-O/P: 3.75KVAC								
	<b>Isolation Resistance</b>	I/P-O/P: 100M Ohms / 500VDC / 25°C / 70% RH								
	<b>EMC Emission</b>	EN55015, EN61000-3-2, EN61000-3-3								
	<b>EMC Immunity</b>	EN61547, EN61000-4-2,3,4,5,6,8,11, surge immunity Line-Line 1KV								
<b>Others</b>	<b>MTBF</b>	193.6K hrs min. @ 230VAC full load and 25°C ambient temperature								
	<b>Dimension</b>	170*53.4*28mm (L*W*H)								
	<b>Warranty</b>	5 years								

## Product Dimension



## Wiring diagramm



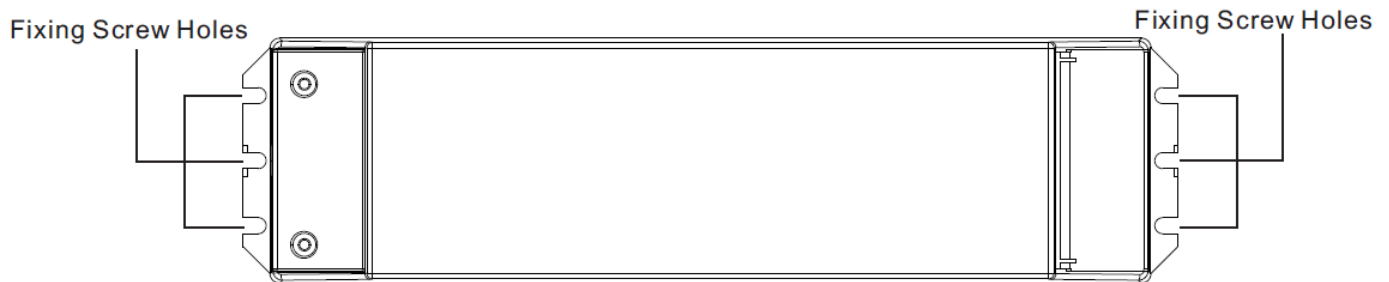
Dips to set the operation current

	1	2	3	4		1	2	3	4
250mA	●	●	●	●		○	●	●	●
300mA	●	●	●	○		○	●	●	○
350mA	●	●	○	○		○	●	○	○
400mA	●	○	○	○		○	○	○	○
450mA	●	○	●	○		○	○	●	○
500mA	●	○	○	●		○	○	○	○
550mA	●	○	○	○		○	○	○	○
600mA	●	○	○	○		○	○	○	○
						○	○	○	○
						○	○	○	○

## Installation

### SAFETY AND WARNINGS

- **Do not install with power applied to the device**
- **Do not set operation current with power applied to the device**
- **Do not expose the device to moisture**
- **Drivers with PWM dimming can cause noise due to vibrations. These can be generated by vibrating components in the device as well as by resonant vibrations from other bodies.**



- Approved wire diameter: AWG16—AWG20 /  $0.5\text{mm}^2$ - $1.5\text{mm}^2$

**0.5-1.5mm<sup>2</sup> (AWG20-16)**



**6-7mm (0.24-0.28in)**

## Operation

### DALI Address assigned by DALI Masters

DALI address can also be assigned by DALI Master controller automatically, please refer to user manuals of compatible DALI Masters for specific operations.

Once an address is assigned, all two channels' address will be the same. For example, if the driver is addressed to 22, then CH1 and CH2 will be the same address 22.

## Important Information for installation

**Power on level is a DALI parameter that defines the level of a control gear after power is restored. The factory default power on level for this driver is 100, which means the driver will be at 100% intensity when power is restored.**

### Troubleshooting Help

**Situation A: The power supply has been overloaded and is now in overload protection mode.**

**What does the error pattern look like?**

The connected LEDs flash. You can reduce the brightness via a DALI software and the strip will stop flashing. You can no longer control the colours with the software.

**How can the problem be solved (two variants A + B)?**

- A.
1. Disconnect the device from the mains for at least 10 minutes. The unit will reset to factory settings.
  2. Reduce the load so that it meets the specifications of the unit.
  3. You can now operate the unit normally again.
- B.
1. Disconnect the device from the mains for at least 10 minutes. The unit will reset to the factory settings.
  2. Disconnect the load (LED strip / LED module) from the power supply.
  3. Reconnect the device to the mains.
  4. Connect the device to the DALI Master software.
  5. In the software, reduce the Power On Level and the maximum level for this device. The value must be below the maximum load of the power supply.
  6. Disconnect the device from the power supply and reattach the load.
  7. You can now operate the device normally again.