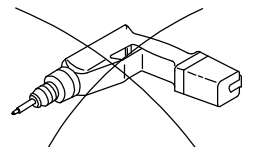
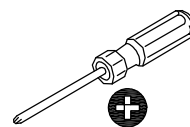
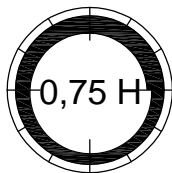
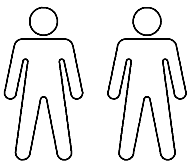
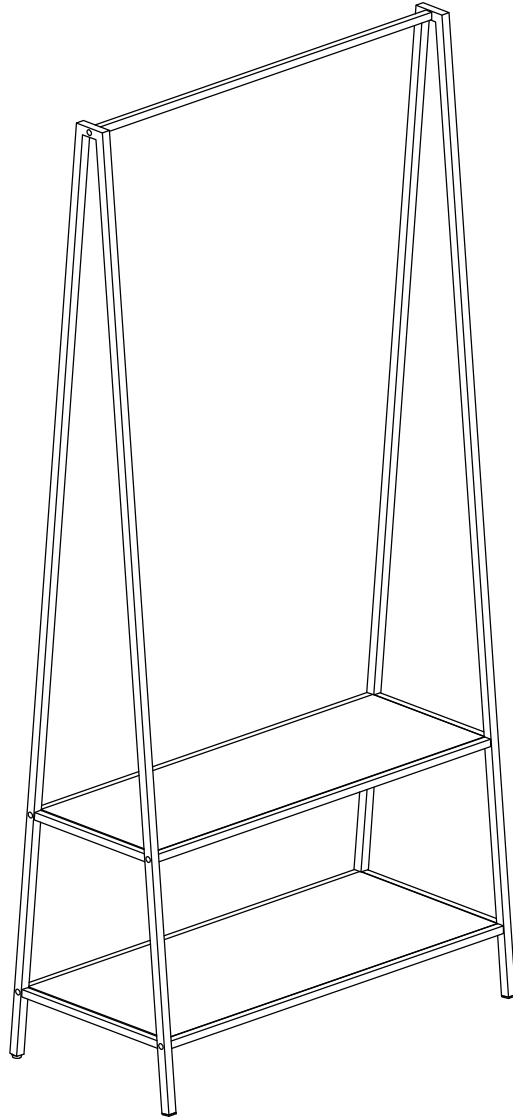
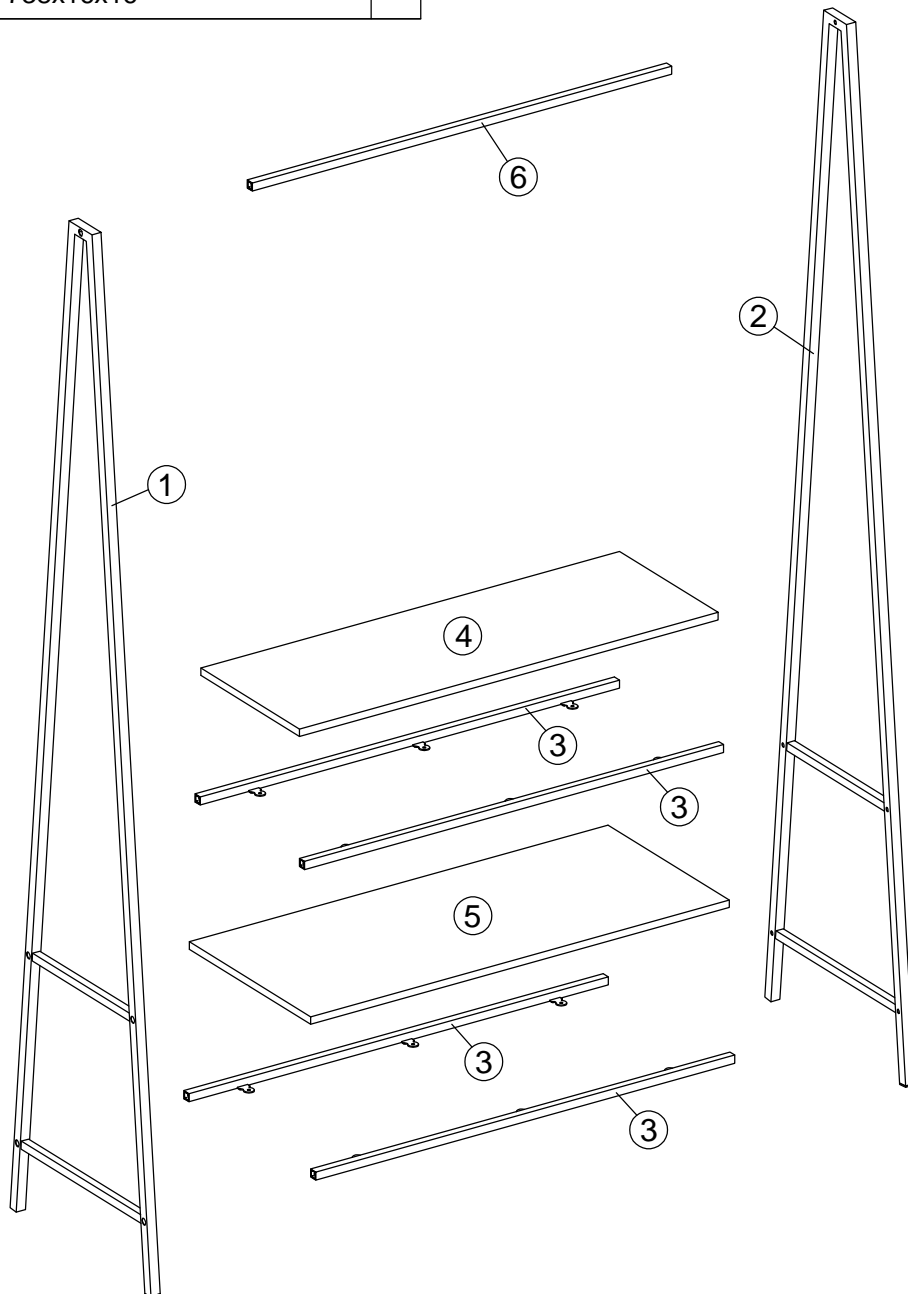


# JEREMY

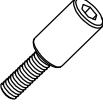
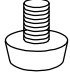



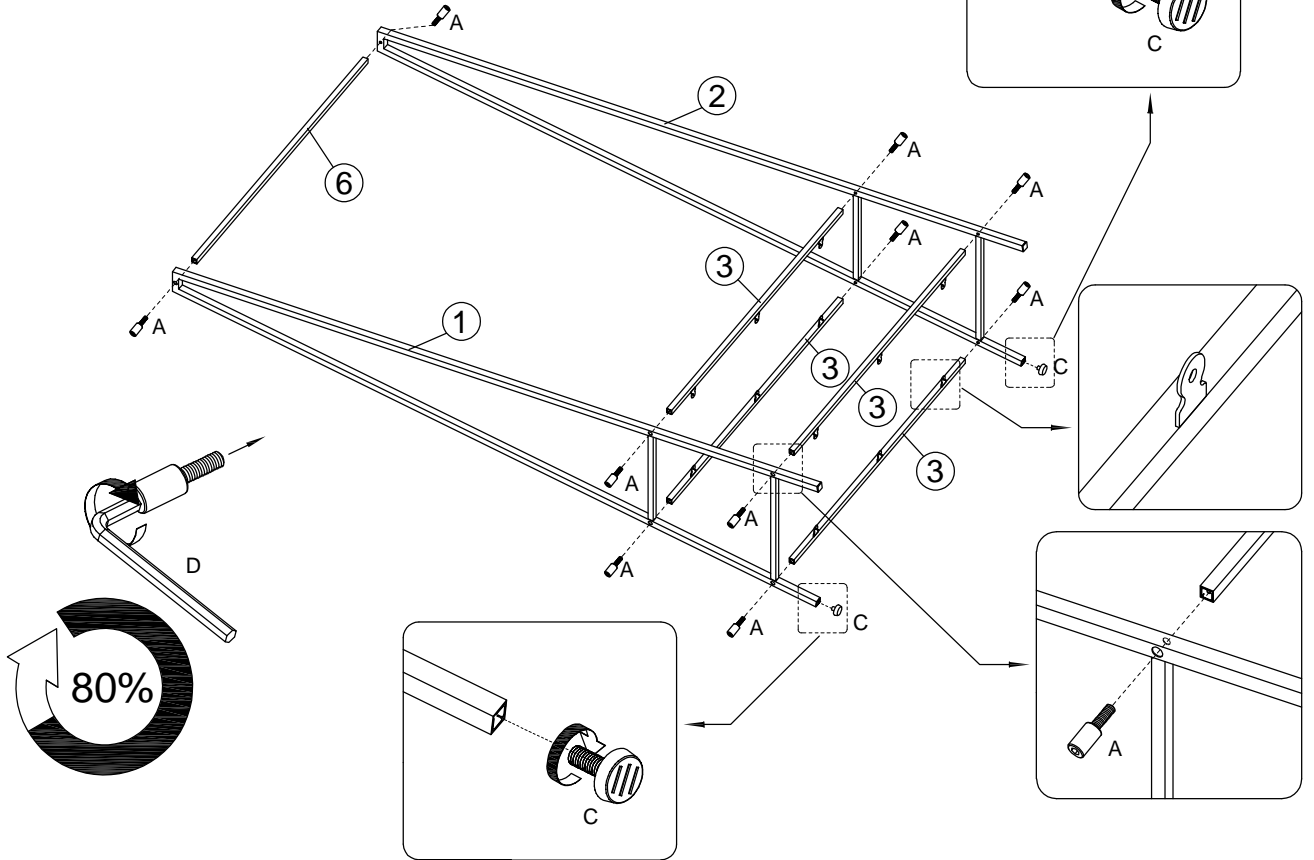
			✓
①	1	1650x370x16	
②	1	1650x370x16	
③	4	738x36x14	
④	1	737x262x12	
⑤	1	737x318x12	
⑥	1	738x16x16	




A x 10	B x 12	C x 2	D x 1
M6 x 16 mm	Ø4 x 12 mm	Ø13x5xM6x15 mm	4 mm

# 1

A x 10  M6 x 16 mm	C x 2  Ø13x5xM6x15 mm	D x 1  4 mm
---	--	--

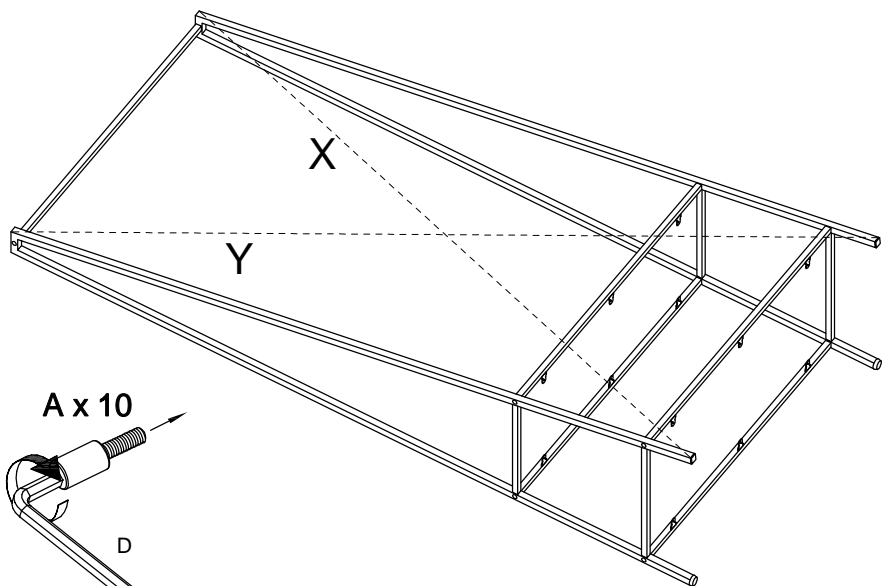


# 2

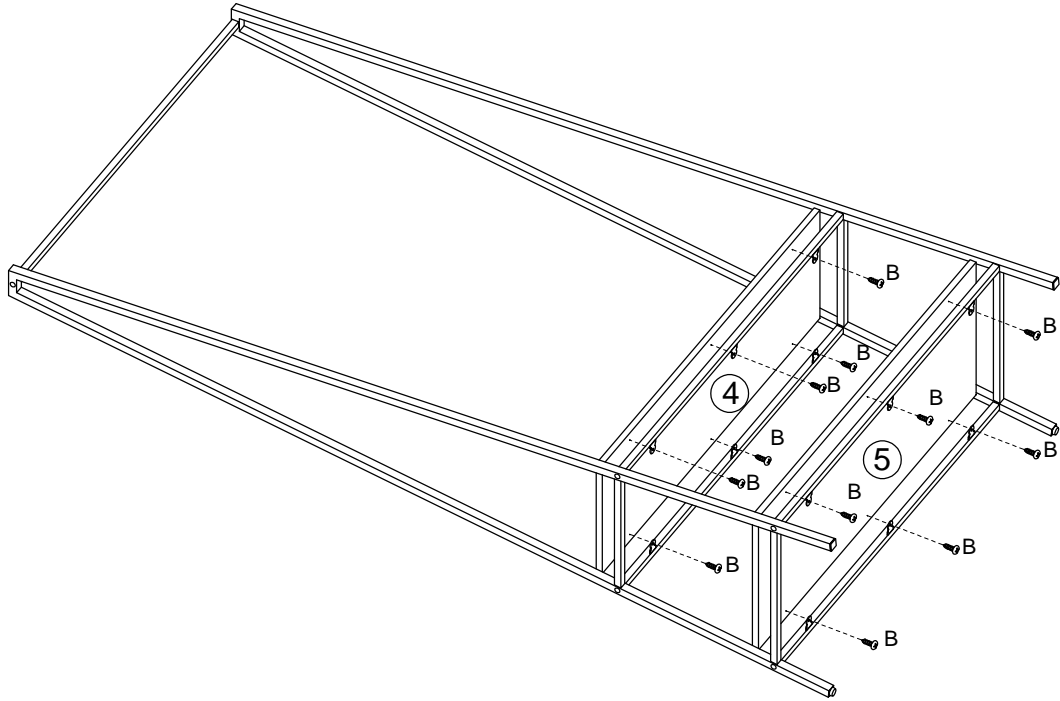
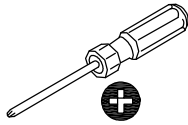
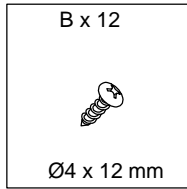
D x 1  4 mm
--



X=Y



# 3



# 4

