

# MISSING SOMETHING?

¿TE FALTA ALGO? / DES PIÈCES MANQUANTES ? / FEHLT ETWAS? / ONTBREEKT ER IETS? / НЕПОЛНАЯ КОМПЛЕКТАЦИЯ?



**USA/CANADA**  
parts.KidKraft.com

**EUROPEAN REGIONS**  
parts.KidKraft.eu

**AUSTRALIA**  
parts.KidKraft.au

## Welcome to the KidKraft family

We do our very best to ensure accuracy in every order, but occasionally we miss something. That's why our warranty covers every single part of your new product for 90 days after purchase. If you are missing parts or find any damage, it's easy to order replacements at **parts.KidKraft.com** in the US and **parts.kidkraft.eu** in Europe. You can also review your warranty, download assembly instructions and more by visiting **KidKraft.com**.

## Bienvenido a la Familia Kidkraft

Hacemos nuestro mejor esfuerzo para asegurar la precisión en cada orden, pero a veces se nos olvida algo. Por este motivo, nuestra garantía cubre cada parte de su nuevo producto por los próximos 90 días después de su compra. Si a le falta alguna parte o si consigue algún daño en el producto, es muy sencillo solicitar un remplazo en **parts.KidKraft.com** en los Estados Unidos y en **parts.kidkraft.eu** en Europa. También puede revisar su garantía, descargar instrucciones de ensamblaje y mucho más visitando **KidKraft.com**.

## Bienvenue à la famille Kidkraft

Nous faisons de notre mieux pour assurer l'exactitude dans chaque commande, mais parfois nous manquons quelque chose. C'est pourquoi notre garantie couvre chaque partie de votre nouveau produit pendant 90 jours après l'achat. Si vous manquez des pièces ou trouvez des dommages, c'est facile de commander des pièces de rechange chez **parts.KidKraft.com** aux États-Unis et **parts.kidkraft.eu** en Europe. Vous pouvez également consulter votre garantie, télécharger les instructions d'assemblage et plus encore en visitant **KidKraft.com**.

## Willkommen zu KidKraft Family

Wir geben unser Bestes, bei jeder Bestellung sicherzustellen, dass höchste Sorgfalt geboten wird, aber vereinzelt kann es vorkommen, dass wir etwas übersehen. Aus diesem Grund deckt unsere Garantie jedes einzelne Teil Ihres neuen Produkts für die Dauer von 90 Tagen nach Erwerb ab. Sie können ganz einfach Ersatzteile bei **parts.KidKraft.com** in den USA und **parts.KidKraft.eu** in Europa bestellen, sollten Teile fehlen oder Beschädigungen vorliegen. Besuchen Sie **KidKraft.com**, um unter anderem die Garantie einzusehen und Aufbauanleitungen herunterzuladen.

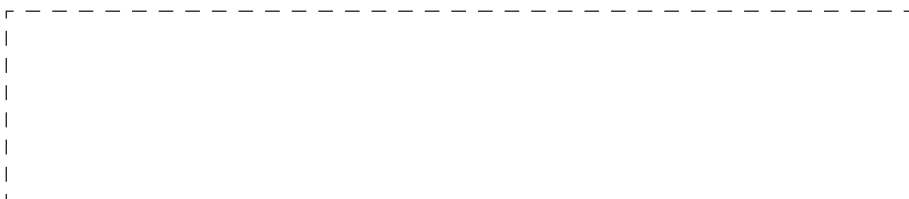
## Welkom bij de Kidkraft-familie

Wij doen ons best om erg nauwkeurig te zijn bij elke bestelling, maar af en toe kunnen we wat missen. Daarom dekt onze garantie elk onderdeel van uw nieuwe product gedurende 90 dagen na aanschaf. Als er onderdelen ontbreken of als u schade opmerkt, kunnen vervangende onderdelen eenvoudig worden besteld op **parts.KidKraft.com** in de VS en **parts.kidkraft.eu** in Europa. U kunt tevens uw garantie bekijken, montage-instructies en meer downloaden door **KidKraft.com** te raadplegen.

## Добро пожаловать в семью KidKraft!

Наша компания делает все возможное для обеспечения полноты комплектности, но случаи отсутствия некоторых деталей не исключены. Поэтому наша гарантия распространяется абсолютно на все элементы изделия в течение 90 дней с момента покупки. В случае неполной комплектации или обнаружения каких-либо повреждений недостающие компоненты можно заказать на сайте **parts.KidKraft.com** (для США) или **parts.kidkraft.eu** (для Европы). Более того, на сайте **KidKraft.com** вы можете скачать инструкции по сборке и ознакомиться с гарантийными условиями и иной информацией.

Batch Code  
Código De Lote  
La Pièce Et Le Code De Lot  
Chargennummer  
Partij-code  
Код партии



# INSTALLATION AND OPERATING INSTRUCTIONS

## **WARNING**

To reduce the risk of serious injury or death, you must read and follow these instructions. Keep and refer to these instructions often and give them to any future owner of this play set. Manufacturer contact information provided below.

OBSTACLE FREE SAFETY ZONE - 17' 7 3/8" x 17' 7 3/8" (5.368m x 5.368m)

### **WARNING:**

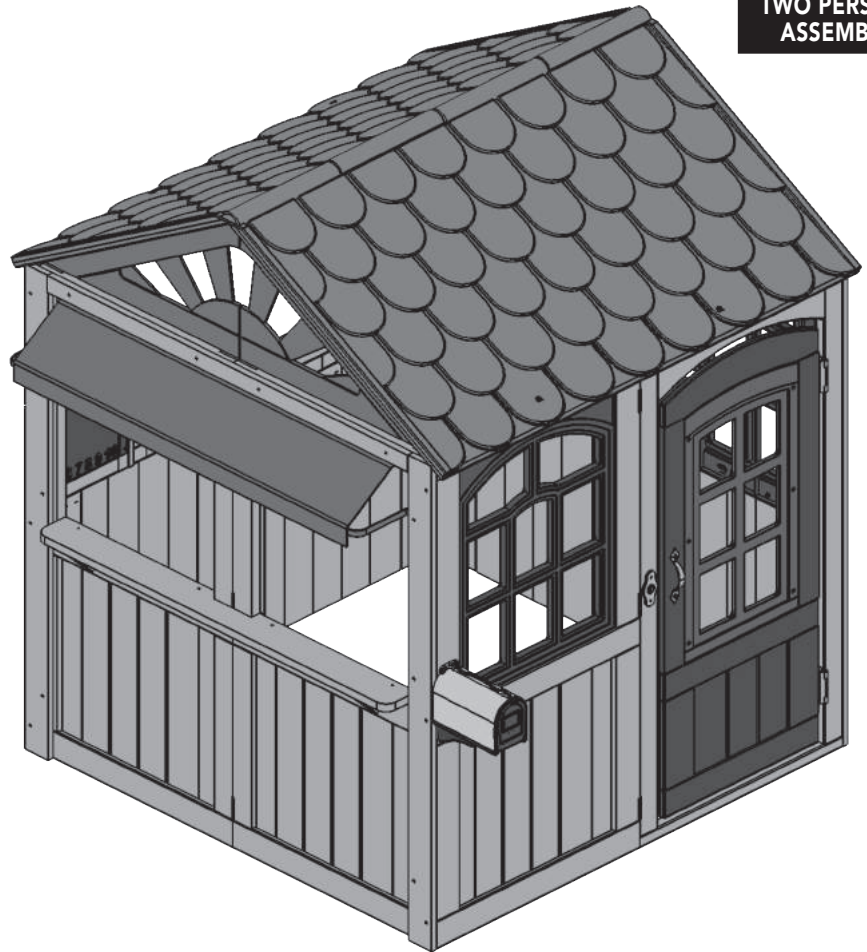
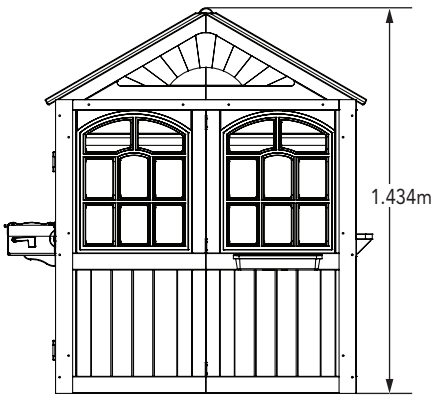
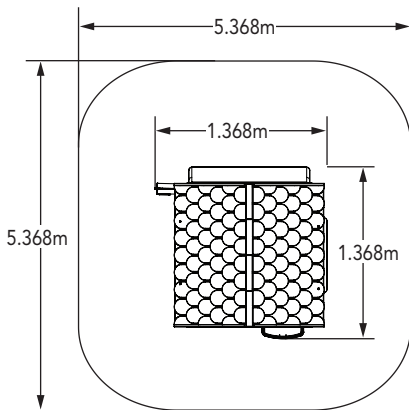
CAPACITY - 4 Users Maximum, Ages 3 to 10.

RESIDENTIAL HOME USE ONLY. Not intended for public areas such as schools, churches, nurseries, day cares or parks. Only for domestic use.

We recommend to place the activity toy on a level surface at least 2m from any structure or obstruction such as a fence, garage, house, overhanging branches, laundry lines or electrical wires.

Activity toys shall not be installed over concrete, asphalt or any other hard surface.

Please retain this information for future reference.



**FOR OUTDOOR FAMILY DOMESTIC USE ONLY**

# Warnings and Safe Play Instructions

**CONTINUOUS ADULT SUPERVISION REQUIRED.** Most serious injuries and deaths on playground equipment have occurred while children were unsupervised! Our products are designed to meet mandatory and voluntary safety standards. Complying with all warnings and recommendations in these instructions will reduce the risk of serious or fatal injury to children using this play system. Go over the warnings and safe play instructions regularly with your children and make certain that they understand and follow them. Remember on-site adult supervision is required for children of all ages.



## WARNING

### CHOKING HAZARD/SHARP EDGES & POINTS

Adult assembly required. This product contains smallparts and parts with sharp edges and points. Keep parts away from children until fully assembled.

### STRANGULATION HAZARD

- **NEVER** allow children to play with ropes, clotheslines, pet leashes, cables, chains or cord-like items when using this playhouse or to attach these items to the playhouse.
- **NEVER** allow children to wear loose fitting clothing, ponchos, hoods, scarves, capes, necklaces, items with draw-strings, cords or ties when using this playhouse.
- **NEVER** allow children to wear bike or sport helmets when using this playhouse.

Failure to prohibit these items, even helmets with chin straps, increases the risk of serious injury and death to children from entanglement and strangulation.

### TIP OVER HAZARD

Choose a level location for the equipment. This can reduce the likelihood of the playhouse tipping over and loose-fill surfacing materials washing away during heavy rains.

**DO NOT** allow children to play on the playhouse until the assembly is complete.

### PLACEMENT

Place the toy on a level surface at least 2m from any structure or obstruction such as fences, garages, house, overhanging branches, laundry or electrical wires.



## WARNING – Safe Play Instructions

- ✓ Dress children with well fitting and full foot enclosing footwear.
- ✓ Check for splintered, broken or cracked wood; missing, loose, or sharp edged hardware. Replace, tighten and or sand smooth as required prior to playing.
- ✓ Replace defective parts in accordance with manufacturer's instructions.
- ✗ Do not allow children to wear open toe or heel footwear like sandals, flip-flops or clogs.
- ✗ Do not permit climbing on equipment when it is wet.
- ✗ Do not permit rough play or use of equipment in a manner for which it was not intended. Standing or climbing on or jumping from the roof.

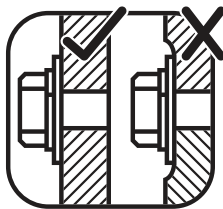
### Instructions for Proper Maintenance

Your Cedar Summit Play System is designed and constructed of quality materials with your child's safety in mind. As with all outdoor products used by children, it will weather and wear. To maximize the enjoyment, safety and life of your Playhouse, it is important that you, the owner, properly maintain it.

#### Check the following at the beginning of the play season:

##### HARDWARE:

- ✓ Check metal parts for rust. If found, sand and repaint using a non-lead paint complying with 16 CFR 1303.
- ✓ Inspect and tighten all hardware. On wood assemblies **DO NOT OVER-TIGHTEN** as to cause crushing and splintering of wood.
- ✓ Check for sharp edges or protruding screw threads, add washers if required.



##### WOOD PARTS:

- ✓ Check all wood members for deterioration, structural damage and splintering. Sand down splinters and replace deteriorated wood members. As with all wood, some checking and small cracks in grain is normal.
- ✓ Applying a water repellent or stain (water-based) on a yearly basis is important maintenance to maintain maximum life and performance of the product.

#### Check twice a month during play season:

##### HARDWARE:

- ✓ Inspect for tightness. Must be firmly against, but not crushing the wood. **DO NOT OVER-TIGHTEN.** This will cause splintering of wood.
- ✓ Check for sharp edges or protruding screw threads. Add washers if required.

**If you dispose of your playhouse:** Please disassemble and dispose of your unit so that it does not create any unreasonable hazards at the time it is discarded. Be sure to follow your local waste ordinances.



**KidKraft®**

# About Our Wood

KidKraft Netherlands B.V. uses only premium playset lumber, ensuring the safest product for your children's use. Although we take great care in selecting the best quality lumber available, wood is still a product of nature and susceptible to weathering which can change the appearance of your set.

## What causes weathering? Does it affect the strength of my Play System?

One of the main reasons for weathering is the effects of water (moisture); the moisture content of the wood at the surface is different than the interior of the wood. As the climate changes, moisture moves in or out of the wood, causing tension which can result in checking and or warping. You can expect the following due to weathering. These changes will not affect the strength of the product:

- 1. Checking** is surface cracks in the wood along the grain. A post (4" x 4") will experience more checking than a board (1" x 4") because the surface and interior moisture content will vary more widely than in thinner wood.
- 2. Warping** results from any distortion (twisting, cupping) from the original plane of the board and often happens from rapid wetting and drying of the wood.
- 3. Fading** happens as a natural change in the wood color as it is exposed to sun-light and will turn a grey over time.

## How can I reduce the amount of weathering to my Play System?

At the factory we have coated the wood with a water repellent or stain. This coating decreases the amount of water absorption during rain or snow thus decreasing the tension in the wood. Sunlight will break down the coating, applying a water repellent or stain on a yearly basis is important maintenance. (see your local stain and paint supplier for a recommended product)

Most weathering is just the normal result of nature and will not affect safe play and enjoyment for your child. However if you are concerned that a part has experienced a severe weathering problem please call our consumer relations department for further assistance.

**Please complete your product registration online at <https://prdregistration.kidkraft.com/> to receive important product notifications and assure prompt warranty service.**

## 5 Year Limited Warranty

KidKraft Netherlands B.V. warrants that this product is free from defect in materials and workmanship for a period of one year from the original date of purchase. In addition, lumber is warranted for 5 years against structural failure due to rot and insect damage. All other parts, such as hardware, swings, rides, accessories, and slides carry a one-year warranty only.

This warranty applies to the original owner and registrant and is non-transferable.

Regular maintenance is required to assure the integrity of your Play System. Failure by the owner to maintain the product according to the maintenance requirements may void this warranty. This warranty does not cover any inspection cost.

This Limited Warranty does not cover:

- Labor for replacement of any defective item(s);
- Incidental or consequential damages;
- Cosmetic defects which do not affect performance or integrity;
- Vandalism; improper use or installation; acts of nature;
- Minor twisting, warping, checking, or any other natural occurring properties of wood that do not affect performance or integrity.

KidKraft Netherlands B.V. products have been designed for safety and quality. Any modifications made to the original product could damage the structural integrity of the unit leading to failure and possible injury. KidKraft Netherlands B.V. cannot assume any responsibility for modified products.

Furthermore, modification voids any and all warranties.

This product is warranted for **RESIDENTIAL USE ONLY**. Under no circumstance should a KidKraft Netherlands B.V. Play System be used in public settings such as schools, churches, playgrounds, parks, day cares and the like. Such use may lead to product failure and potential injury. Any and all public use will void this warranty.

This Warranty gives you specific legal rights. You may have other rights as well which vary from state to state or province to province. This warranty excludes all consequential damages, however, some states do not allow the limitation or exclusion of consequential damages, and therefore this limitation may not apply to you.



# Battery Instruction and Warranty

This device complies with Part 15 of the FCC Rules. Operation is subject to the following two conditions:

(1) This device may not cause harmful interference, and (2) this device must accept any interference received, including interference that may cause undesired operation.

NOTE: This equipment has been tested and found to comply with the limits for a Class B digital device, pursuant to part 15 of the FCC Rules. These limits are designed to provide reasonable protection against harmful interference in a residential installation. This equipment generates, uses and can radiate radio frequency energy and, if not installed and used in accordance with the instructions, may cause harmful interference to radio communications. However, there is no guarantee that interference will not occur in a particular installation. If this equipment does cause harmful interference to radio or television reception, which can be determined by turning the equipment off and on, the user is encouraged to try to correct the interference by one or more of the following measures:

- Reorient or relocate the receiving antenna.
- Increase the separation between the equipment and receiver.
- Connect the equipment into an outlet on a circuit different from that to which the receiver is connected.
- Consult the dealer or an experienced radio /TV technician for help.

Note: Changes or modifications not expressly approved by the manufacturer responsible for compliance could void the user's authority to operate the equipment.

Please retain the information on this pack for future reference.

- Batteries should always be installed and changed under adult supervision.
- Non-Rechargeable batteries are not to be recharged.
- Rechargeable batteries are only to be charged under adult supervision.
- Only batteries of the same equivalent type as recommended are to be used.
- Batteries are to be inserted with the correct polarity.
- Exhausted batteries are to be removed from the toy and disposed of properly.
- The supply terminals are not to be short circuited.
- Different types of batteries or new and used batteries are not to be mixed.
- DO NOT mix alkaline, standard (carbon-zinc) or rechargeable batteries.
- Be sure to insert new batteries with positive (+) side up.
- Rechargeable batteries are to be removed from the toy before being charged.
- EU Regulations require exhausted batteries to be separately collected so that they can be treated using the best available recovery and recycling techniques. This will minimize the impact on the environment and human health from soil and water contamination by any hazardous substances, decrease the resources required to make new products and avoid using up landfill space.
- Batteries or battery packs must be recycled or disposed of properly. When the batteries in this product have reached the end of their useful life, they should not be disposed of with other household waste.
- Please do your part by keeping waste batteries out of the municipal waste stream!



# INSTRUCCIONES DE INSTALACIÓN Y OPERACIÓN



## ADVERTENCIA

Para reducir el riesgo de lesiones severas o la muerte, debe leer y seguir estas instrucciones. Conserve y consulte estas instrucciones con frecuencia y entréguelas al futuro dueño de este juego. Información de contacto del fabricante proporcionada a continuación.

ZONA DE SEGURIDAD LIBRE DE OBSTACULOS - 17' 7 3/8" x 17' 7 3/8" (5.368m x 5.368m)

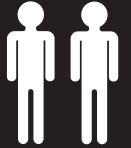
### ADVERTENCIA:

CAPACIDAD - 4 usuarios máximo, de 3 a 10 años.

SÓLO PARA USO DOMÉSTICO RESIDENCIAL. No destinado para áreas públicas como escuelas, iglesias, guarderías o parques. Solo para uso doméstico.

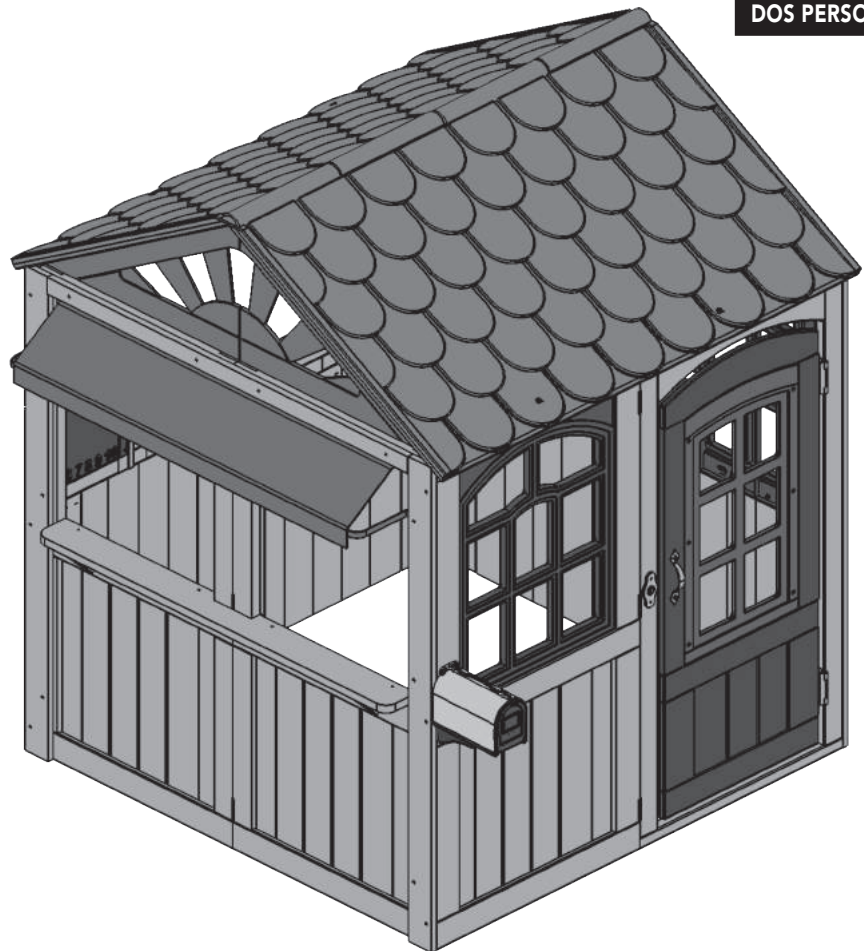
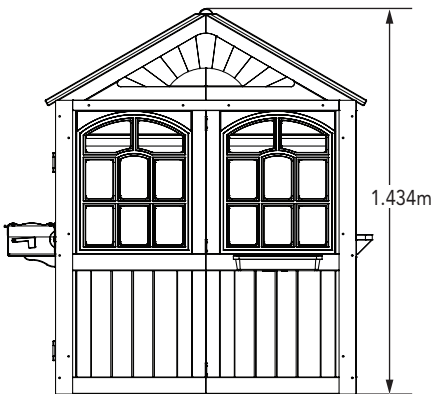
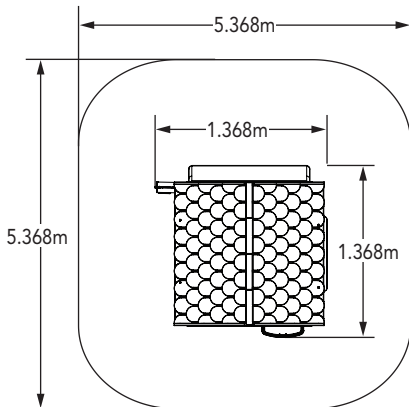
Se recomienda colocar el juguete de actividad sobre una superficie nivelada a una distancia mínima de 2 m respecto de cualquier estructura u obstrucción, como una cerca, un garaje, una vivienda, ramas que sobresalen, sogas para tender la ropa o cables eléctricos.

Guarde esta información para consultarla en otro momento.



1.5 - 2.5 Hrs

MONTAJE ENTRE DOS PERSONAS



SOLO PARA USO DOMÉSTICO EN JARDINES RESIDENCIALES



KidKraft®

# Advertencias e Instrucciones de Seguridad

SE REQUIERE LA SUPERVISIÓN PERMANENTE DE UN ADULTO. ¡La mayoría de los accidentes graves y muertes que se producen en los juegos de jardín ocurren cuando los niños no son vigilados por un adulto! Nuestros productos están diseñados para cumplir con las normas de seguridad obligatorias y voluntarias. Acatar todas las advertencias y recomendaciones de estas instrucciones reducirá el riesgo de que los niños sufran lesiones graves o fatales al utilizar este sistema de juego. Relea las advertencias e instrucciones de seguridad regularmente con sus hijos y asegúrese de que las entiendan y las acaten. Recuerde que se requiere la supervisión de un adulto en el sitio para niños de todas las edades.



## ADVERTENCIA

### PELIGRO DE ASFIXIA/ BORDES Y PUNTAS FILOSAS

Este producto debe ser instalado por un adulto. Contiene piezas pequeñas y piezas con bordes y puntas filosas. Mantenga las piezas alejadas de los niños hasta completarse la instalación.

### PELIGRO DE ESTRANGULAMIENTO

- **NUNCA** permita que los niños jueguen con cuerdas, sogas para tender la ropa, correas de mascotas, cables, cadenas o artículos similares al utilizar este set de juegos, ni que aten estos artículos a los juegos.
- **NUNCA** permita que los niños usen ropa suelta, ponchos, gorros, bufandas, capas, collares, ropa con tiras, cuerdas o ataduras al utilizar este set de juegos.
- **NUNCA** permita que los niños usen cascos de bicicletas o deportivos al utilizar este set de juegos.

Si no se prohíbe el uso de estos artículos, incluso los cascos que se ajustan por debajo del mentón, se incrementa el riesgo de sufrir lesiones graves o de morir si los niños se enganchan y estrangulan.

### PELIGRO DE VUELCO

Elija un lugar nivelado para instalar el equipo. Así habrá menos posibilidades de que el juego se incline y que el material de relleno suelto se lave con las lluvias fuertes

NO permita que los niños utilicen el juego hasta que esté totalmente instalado.

### COLOCACIÓN

Coloque el juego sobre una superficie nivelada por lo menos a 2m de cualquier estructura u obstrucción, como cercas, garajes, casas, ramas, sogas para tender la ropa y cables eléctricos.



## ADVERTENCIA – Instrucciones de seguridad

- ✓ Vista a los niños con ropa ajustada y calzado que cubra los pies por completo.
- ✓ Verifique que la madera no esté astillada, rota o quebrada y que no haya ninguna pieza de metal faltante, suelta o con borde filoso. Cambie, ajuste o lije las piezas, cuando fuera necesario, antes de jugar.
- ✓ Reemplace las piezas defectuosas siguiendo las instrucciones del fabricante.
- ✗ No permita que los niños usen calzado con la punta o el talón al descubierto, como sandalias, ojotas o zuecos.
- ✗ No permita que nadie se trepe al equipo cuando está mojado.
- ✗ No permita los juegos bruscos o el uso del equipo para fines diferentes a los fines para los que fue diseñado. Pararse, treparse o saltar desde el techo puede ser peligroso.

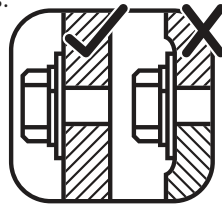
## Instrucciones para un mantenimiento adecuado

Su sistema de Juegos Cedar Summit está diseñado y construido con materiales de calidad, pensando en la seguridad de sus hijos. Como ocurre con todos los juegos para niños que quedan a la intemperie, sufrirá desgates. Para maximizar el disfrute, la seguridad y la vida útil de su Casa de Juegos, es importante que usted, como dueño, lo mantenga adecuadamente.

### Verifique lo siguiente al comienzo de la temporada de uso:

#### TORNILLOS Y ACCESORIOS:

- ✓ Verifique que no haya piezas metálicas oxidadas. Si encuentra alguna, líjela y vuelva a pintarla utilizando una pintura sin plomo que cumpla con las normas 16 CFR 1303.
- ✓ Revise y ajuste todas las piezas metálicas. En los ensambles de madera, **NO AJUSTE DE MÁS** las piezas metálicas ya que podría romper o astillar la madera.
- ✓ Verifique que no haya bordes filosos o roscas de tornillos sobresalientes; de ser necesario, agregue arandelas



#### PIEZAS DE MADERA:

- ✓ Verifique que las piezas de madera no estén deterioradas, tengan daños estructurales o estén astilladas. Lije las astillas y cambie las piezas deterioradas. Como con todas las maderas, es normal que haya alguna fisura o grieta pequeña.
- ✓ La aplicación de un impermeabilizante exterior o barniz (al agua) una vez al año es importante para mantener la máxima durabilidad y rendimiento del producto.

### Verifique lo siguiente dos veces al mes durante la temporada de uso:

#### TORNILLOS Y ACCESORIOS:

- ✓ Verifique que estén bien ajustados. Deben estar firmes pero sin triturar la madera, **NO AJUSTE DE MÁS** ya que podría astillar la madera.
- ✓ Verifique que no haya bordes filosos o roscas de tornillos sobresalientes. De ser necesario, coloque más arandelas.

**Si se va a deshacer de su casa de juegos:** Por favor, desmóntelo y deseche la unidad de manera de no generar ningún peligro. Asegúrese de cumplir con las ordenanzas locales sobre eliminación de desechos.



# KidKraft®

# Acerca de nuestra madera

KidKraft Netherlands B.V. utiliza solo madera para juegos de primera calidad, lo que garantiza la seguridad del producto que utilizan sus hijos. Si bien nos preocupamos por seleccionar la madera de mejor calidad, la madera es un producto de la naturaleza y susceptible al clima, que puede producir cambios en la estética de su juego.

## ¿Qué causa el deterioro? ¿Afecta la fortaleza de mi Sistema de Juegos?

Una de las principales razones del deterioro de la madera es el efecto del agua (humedad); el contenido de humedad de la madera en la superficie es diferente al de su interior. Con los cambios de clima, la humedad entra o sale de la madera provocando tensión, lo que puede ocasionar fisuras o pandeos. El efecto del clima puede producir los siguientes cambios, que no afectarán en absoluto la fortaleza del producto:

- 1. Fisuras:** son grietas en la superficie de la madera a lo largo de la veta. Un poste de 4" x 4" tendrá más fisuras que una tabla (1" x 4") porque el contenido de humedad de la superficie y el interior varía más que en la madera más delgada.
- 2. Pandeo:** es el resultado de una distorsión (torcedura, ahuecamiento) del plano original que suele ocurrir cuando la madera se moja y se seca rápidamente.
- 3. Decoloración:** ocurre como un cambio natural del color de la madera; cuando está expuesta al sol, con el tiempo adquiere un color grisáceo.

## ¿Cómo puedo reducir el deterioro de mi Sistema de Juegos?

En la fábrica hemos agregado un impermeabilizante a la tinte. Este impermeabilizante reduce la cantidad de agua que absorbe la madera durante las lluvias o nevadas, disminuyendo la tensión. La luz del sol resquebraja el impermeabilizante, por lo que recomendamos aplicar un impermeabilizante nuevo todos los años (pida a su proveedor local de barnices y pinturas que

le recomiende algún producto). Mayormente, el deterioro se produce como resultado de las fuerzas de la naturaleza y no afecta la seguridad ni la diversión de sus hijos. Pero, si está preocupado por alguna pieza en particular que haya sufrido algún problema grave de deterioro, por favor llame a nuestro departamento de atención al cliente para solicitar asistencia.

**Please complete your product registration online at <https://prdregistration.kidkraft.com/> to receive important product notifications and assure prompt warranty service.**

## Garantía Limitada por 5 Años

KidKraft Netherlands B.V. garantiza que este producto no contiene defectos en sus materiales ni mano de obra por un período de un año a partir de la fecha de compra original. Además, la madera tiene garantía por 5 años contra fallas estructurales por putrefacción y daños causados por insectos.

Todas las demás piezas, como las piezas metálicas, hamacas, juegos y accesorios y toboganes tienen garantía solo por un año.

Esta garantía se aplica al dueño original registrado y no es transferible.

Se requiere mantenimiento regular para asegurar la integridad del Sistema de Juegos. Si el dueño no mantiene el producto de acuerdo con las instrucciones de mantenimiento, esta garantía podrá quedar anulada. Esta garantía no cubre los costos de inspección.

Esta Garantía Limitada no cubre:

- Mano de obra por cambio de cualquier pieza fallada;
- Daños incidentales o emergentes;
- Defectos cosméticos que no afecten el rendimiento o la integridad;
- Vandalismo; uso o instalación inadecuados; actos de la naturaleza;
- Torceduras, pandeo o fisuras menores, o cualquier otra deformación que sufra la madera en forma natural que no afecte su rendimiento o integridad.

Los productos de KidKraft Netherlands B.V. han sido diseñados para ofrecer seguridad y calidad.

Cualquier modificación que se realice en el producto original podría dañar la integridad estructural de la unidad y provocar fallas y posibles accidentes. KidKraft Netherlands B.V. no puede asumir ninguna responsabilidad por los productos que han sido modificados. Asimismo, las modificaciones anulan todas y cada una de las garantías.

Este producto está garantizado **SOLO PARA USO RESIDENCIAL**. Bajo ninguna circunstancia se debe utilizar el Sistema de Juegos de KidKraft Netherlands B.V. en espacios públicos, como escuelas, iglesias, áreas de recreación, plazas, guarderías y lugares similares. El uso en dichos lugares podría generar una falla en el producto y potenciales accidentes. El uso público anulará esta garantía.

Esta Garantía le otorga derechos legales específicos. Usted puede tener otros derechos también, que al estado o provincia. Esta garantía excluye los daños emergentes, pero algunos estados no permiten exclusión de los daños emergentes, por lo que esta limitación puede no ser aplicable para usted.



# Instrucciones sobre las baterías - Garantía

Este dispositivo cumple con el Art. 15 de las Reglas de la FCC. Su operación está sujeta a las siguientes condiciones:

(1) Este dispositivo no podrá causar interferencias nocivas, y (2) este dispositivo deberá aceptar cualquier interferencia que reciba, incluso aquella que pueda afectar su funcionamiento.

NOTA: Este equipo ha sido evaluado y cumple con las especificaciones para un dispositivo digital clase B, conforme al artículo 15 de las reglas de la FCC. Estos límites han sido diseñados para brindar una protección razonable contra la interferencia nociva en una instalación residencial. Este equipo genera, utiliza y puede irradiar energía de radiofrecuencia y, si no se instala y utiliza de acuerdo con las instrucciones, podría causar interferencia nociva para las comunicaciones radiales. No obstante, no se garantiza la ausencia de interferencia en una instalación en particular. Si este equipo causa interferencias con la señal de recepción de la radio o televisión, lo cual se verifica apagando y encendiendo el equipo, el usuario puede intentar corregir la interferencia tomando una o más de las siguientes medidas:

- Reoriente o reubique la antena receptora.
- Aumente la distancia entre el equipo y el receptor.
- Conecte el equipo en un tomacorriente donde no esté enchufado el receptor.
- Consulte al distribuidor o a un técnico de radio/TV experimentado.

Nota: Los cambios o modificaciones que no estén expresamente aprobados por el fabricante responsable del cumplimiento pueden anular la autoridad del usuario para operar el equipo.

Por favor, conserve la información de este paquete para futuras consultas.

- Las baterías siempre deben instalarse y cambiarse bajo la supervisión de un adulto.
- Las baterías no recargables no deben recargarse.
- Las baterías recargables solo deben recargarse bajo la supervisión de un adulto.
- Solo se deben usar baterías del mismo tipo equivalentes al recomendado.
- Las baterías deben instalarse con la polaridad correcta.
- Las baterías gastadas deben quitarse y desecharse correctamente.
- No se deben cortocircuitar los terminales de alimentación.
- No se deben mezclar baterías de diferentes tipos o baterías nuevas con baterías usadas.
- NO mezcle baterías alcalinas, estándar (carbono-zinc) o recargables.
- Asegúrese de colocar las baterías nuevas con el lado positivo (+) hacia arriba.
- Las baterías recargables deben quitarse del juego para ser recargadas.
- Las reglamentaciones de la UE exigen que las baterías gastadas sean recolectadas por separado para que puedan tratarse con las mejores técnicas de recuperación y reciclado disponibles. De este modo, se minimiza el impacto en el medio ambiente y en la salud humana generado por la contaminación del suelo y el agua con sustancias peligrosas, se reduce la cantidad de recursos necesarios para fabricar productos nuevos y se evita usar los vertederos.
- Las baterías o los paquetes de baterías deben reciclarse o desecharse correctamente. Cuando las baterías de este producto hayan llegado al fin de su vida útil, no deben ser desechadas junto a los demás residuos domésticos.
- Por favor, colabore evitando que las baterías gastadas ingresen al sistema de tratamiento de desechos municipal.



# INSTRUCTIONS D'INSTALLATION ET D'UTILISATION



## AVERTISSEMENT

Pour réduire le risque de blessure grave ou de décès, vous devez lire et suivre toutes ces instructions. Conservez et référez-vous à ces instructions fréquemment, et remettez-les à tout futur propriétaire de cette structure. Information de contact du fabricant ci-dessous.

ZONE DE SÉCURITÉ SANS OBSTACLE - 17' 7 3/8" x 17' 7 3/8" (5.368m x 5.368m)

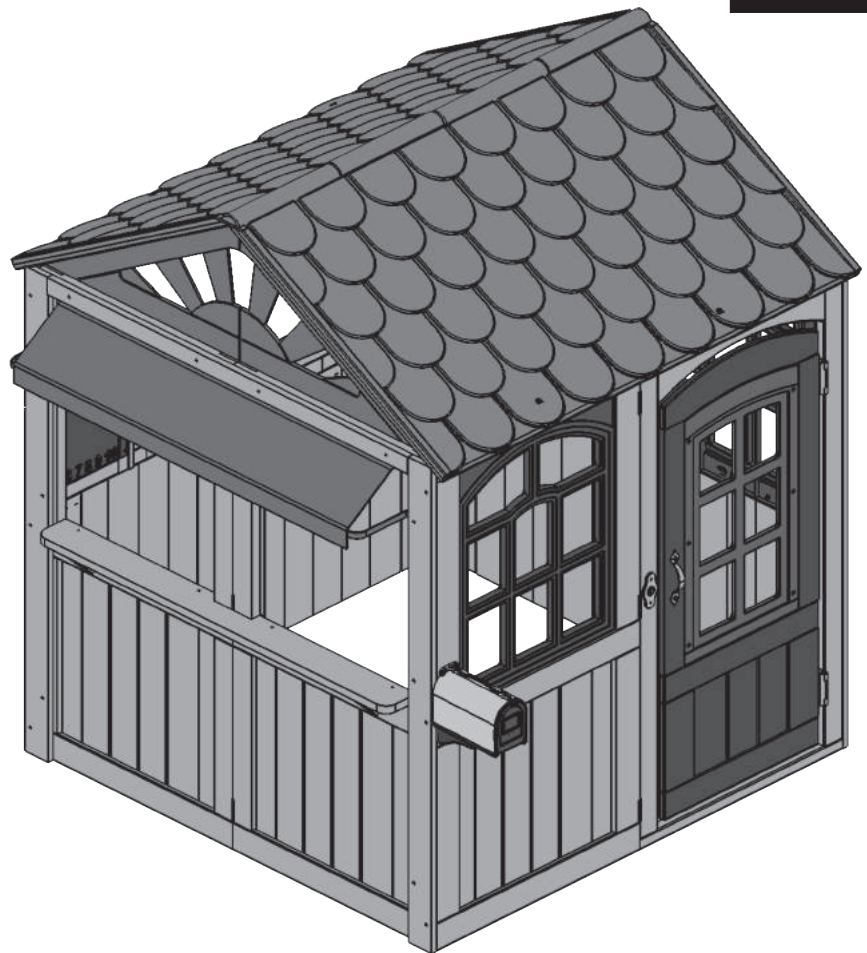
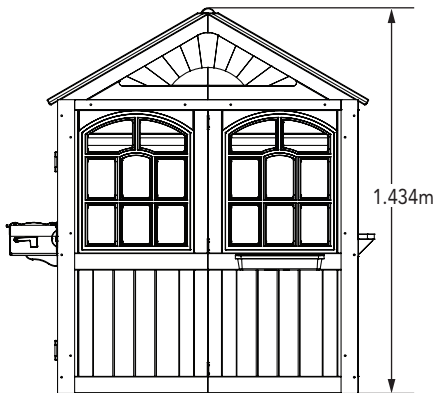
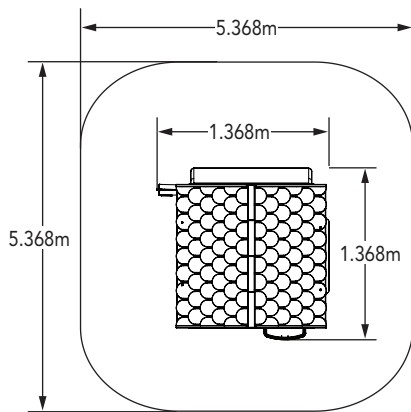
### AVERTISSEMENT:

CAPACITÉ - 4 utilisateurs maximum, Âge 3 à 10.

UTILISATION POUR LES RÉSIDENCES SEULEMENT. Non conçu pour les endroits publics tels qu'écoles, églises, services de garde, garderies ou parcs. Pour usage domestique seulement.

Nous recommandons de placer le jouet sur une surface plane éloignée d'au moins 2 m de toute structure ou de tout obstacle comme une clôture, un garage, une maison, des branches, des cordes à linge ou des fils électriques.

Veuillez conserver ces informations pour référence future.



1.5 - 2.5 heures

ASSEMBLAGE  
À DEUX

POUR UTILISATION FAMILIALE EXTÉRIEURE SEULEMENT



KidKraft®

# Avertissements et instructions de jeu sécuri

**SUPERVISION CONTINUE D'UN ADULTE REQUISE.** La plupart des blessures graves et des décès sur les équipements de terrain de jeu ont lieu lorsque les enfants sont laissés sans surveillance ! Nos produits sont conçus pour répondre aux normes de sécurité obligatoires et volontaires. Le respect de tous les avertissements et recommandations contenus dans ces instructions réduira le risque de blessures graves ou mortelles pour les enfants qui utilisent cette structure de jeu. Passez régulièrement en revue les avertissements et instructions de jeu sécuritaire avec vos enfants et assurez-vous qu'ils les comprennent et les suivent. Rappelez-vous que la supervision sur place des adultes est nécessaire pour les enfants de tous âges.



## AVERTISSEMENT

### RISQUE D'ÉTOUFFEMENT/BORDURES ET POINTES COUPANTES

Assemblage par un adulte requis. Ce produit contient de petites pièces, et des pièces présentant des bordures et pointes acérées.

Gardez les pièces à l'écart des enfants pendant l'assemblage.

### RISQUE DE STRANGULATION

- **NE JAMAIS** laisser les enfants jouer avec des cordes, fils à linge, laisses pour animaux, câbles, chaînes ou articles sous forme de corde lors de l'utilisation de la structure de jeux, et ne pas fixer de tels articles sur la structure de jeux.
- **NE JAMAIS** permettre aux enfants de porter des vêtements amples, ponchos, chandails à capuchon, foulards, capes, colliers, articles avec cordons, corde, ou attaches lors de l'utilisation de la structure de jeux
- **NE JAMAIS** permettre aux enfants de porter des casques de vélos ou de sport lors de l'utilisation de la structure de jeux.

Tout manquement à l'interdiction de ces articles, même les casques avec sangle au menton, augmente le risque de blessure grave ou de décès par étranglement ou strangulation chez les enfants.

### RISQUE DE RENVERSEMENT

Choisissez une zone plane pour l'équipement. Cela peut réduire le risque de renversement de la structure, et éviter quel que les matériaux de remplissage ne soient emportés lors de fortes pluies.

**NE PAS** laisser les enfants jouer sur la structure avant que l'assemblage ne soit terminé et que l'unité ait été ancrée.

### POSITIONNEMENT

Placez la structure sur une surface plane située à au moins 2m de toute structure ou obstruction, tel que clôtures, garages, maison, branches, cordes à linge ou fils électriques.

## AVERTISSEMENT – Instructions de jeu sécuritaires

✓ Assurez-vous que les enfants portent des chaussures fermées et bien ajustées.

✓ Vérifiez la structure afin de déceler tout bois fendu, fendillé, brisé ou craqué, ou encore toute quincaillerie manquante, mal fixée ou présentant des bordures acérées. Remplacez, serrez ou sablez tel que requis avant tout jeu.

✓ Remplacez les pièces défectueuses conformément aux instructions du fabricant.

✗ Ne laissez pas les enfants porter des chaussures à bout ouvert, telles que des sandales, des flip-flops ou des mules.

✗ Ne les laissez pas grimper sur l'équipement lorsque celui-ci est humide.

✗ Ne laissez pas l'équipement être utilisé de façon brutale, ou de toute façon n'étant pas prévue. Se tenir ou sauter du toit, des plateformes surélevées, balançoires, grimpeurs, échelles ou de la glissade pourrait s'avérer dangereux.

## Instructions pour un entretien adéquat

Votre système de jeu Cedar Summit est conçu et bâti avec des matériaux de qualité, afin d'assurer la sécurité de votre enfant. Comme pour tous les produits extérieurs pour enfants, celui-ci s'usera. Pour maximiser les heures de jeux, la sécurité et la durée de vie de votre structure de jeu, il est important que vous, le propriétaire, entreteniez adéquatement l'équipement.

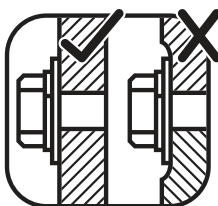
### Vérifiez les éléments suivants au début de la saison de jeu:

#### QUINCAILLERIE:

✓ Vérifiez si les parties métalliques sont rouillées. Si elles le sont, sablez-les et repeignez-les avec une peinture sans plomb répondant à la norme 16 CFR 1303

✓ Inspectez et resserrez toute la quincaillerie. Au niveau des assemblages de bois, **NE PAS TROP SERRER** car cela pourrait écraser le bois et celui-ci pourrait fendre.

✓ Vérifiez qu'il n'y ait pas de bordures acérées, de vis protubérantes, et ajoutez des rondelles au besoin.



#### PIÈCES DE BOIS:

✓ Vérifiez les pièces de bois pour déceler toute détérioration, dommage structurel et fendillement. Sablez les parties fendillées et remplacez les parties de bois détériorées. Comme pour tout bois, de petites fissures et des craquements sont normaux.

✓ L'application d'un vernis ou protecteur imperméabilisant à base d'eau sur une base annuelle est une étape d'entretien importante pour assurer une performance et durée de vie accrues de votre produit.

### À vérifier deux fois par mois pendant la saison de jeu:

#### QUINCAILLERIE:

✓ Assurez-vous qu'elle est bien fixée. Elle doit être fermement appuyée contre le bois, mais sans l'écraser. **NE PAS TROP SERRER.** Cela pourrait écraser le bois et celui-ci pourrait fendre.

✓ Vérifiez qu'il n'y ait pas de bordures acérées, de vis protubérantes, et ajoutez des rondelles au besoin.

**Si vous jetez votre structure de jeu:** Veuillez désassembler et disposer de votre unité de façon à ne pas poser de risque lorsque celle-ci sera jetée. Assurez-vous de vous conformer aux réglementations locales de mise aux rebuts.



# KidKraft®

# À propos de notre bois

KidKraft Netherlands B.V. utilise uniquement du bois de première qualité pour ses structures de jeu, assurant un produit des plus sécuritaires pour vos enfants. Même si nous mettons tout en oeuvre pour sélectionner le meilleur bois disponible, celui-ci demeure un produit naturel, sensible aux altérations, qui peuvent affecter l'apparence de votre structure de jeu.

## Par quoi sont causées les altérations ? Est-ce que celles-ci affectent la solidité de ma structure de jeu ?

L'une des principales causes des altérations sont les effets de l'eau (humidité) ; le contenu en humidité du bois à sa surface est différent que celui à l'intérieur du bois. Lorsque les conditions météo varient, l'humidité entre ou sort du bois, créant des tensions qui peuvent résulter en des fissures ou un gauchissement. Voici les effets que pourraient avoir les altérations du bois. Ces changements n'affectent en rien la solidité du produit:

1. Les fissures sont des fendillements de surface sur le bois, le long des grains. Un montant (4" x 4") sera plus affecté par les fissures qu'une planche (1" x 4"), car le contenu en humidité à la surface et à l'intérieur varie plus que pour un morceau de bois moins épais.
2. Le gauchissement résulte de toute déformation (torsion, bombage) de la forme originale du bois et survient fréquemment après une humidification et un séchage rapide du bois.
3. La décoloration constitue le changement naturel de couleur du bois lorsque celui-ci est exposé à la lumière du soleil, et qu'il devient gris avec le temps.

## Comment puis-je réduire l'impact des altérations sur ma structure de jeu ?

En usine, nous avons protégé le bois avec un imperméabilisant ou un vernis. Ce revêtement limite la quantité d'absorption d'eau lorsqu'il pleut ou neige, diminuant ainsi la tension dans le bois. La lumière du soleil crée une usure de ce revêtement, donc l'application annuelle d'un imperméabilisant ou un vernis est une tâche d'entretien importante. (consultez votre détaillant de peinture ou vernis local pour une recommandation de produit)

La plupart des altérations sont le résultat de la nature et n'affecteront pas la sécurité ou le plaisir de vos enfants. Toutefois, si vous avez des inquiétudes à propos d'une pièce ayant été grandement affectée par les altérations, veuillez appeler notre service des relations avec la clientèle pour obtenir de l'aide.

**Veillez compléter l'enregistrement de votre produit en ligne au <https://prdregistration.kidkraft.com/> pour recevoir les avis importants relatifs au produit et vous assurez un service de garantie rapide.**

## Garantie limitée de 5 ans

KidKraft Netherlands B.V. garantit que ce produit est exempt de défauts de fabrication ou de main d'oeuvre pour une période d'un an suivant la date de l'achat. De plus, le bois est garanti pendant 5 ans contre les défaillances structurelles causées par la pourriture et les dommages causés par les insectes. Toutes les autres pièces, tel que la quincaillerie, les balançoires, glissades, accessoires, et jeux sont uniquement couverts par la garantie d'un an.

Cette garantie s'applique uniquement au propriétaire enregistré original owner et n'est pas transférable.

Un entretien régulier est requis pour assurer l'intégrité de votre structure de jeu. Tout manquement au niveau de l'entretien de ce produit selon les normes d'entretien pourrait entraîner l'annulation de la garantie. Cette garantie ne couvre pas les coûts d'inspection

Cette Garantie limitée ne couvre pas:

- Main d'oeuvre pour le remplacement de tout élément défectueux ;
- Dommages indirects ou accessoires;
- Défauts cosmétiques n'affectant pas la performance ou l'intégrité du produit;
- Vandalisme; utilisation ou installation incorrecte; phénomènes naturels;
- Torsion , déformation, fissuration mineur ou tout autre affectation naturelle du bois n'affectant pas la performance ou l'intégrité du produit

Les produits KidKraft Netherlands B.V. ont été conçus dans une optique de sécurité et de qualité. Toute modification faite au produit original pourrait endommager l'intégrité structurelle de l'unité et engendrer des bris et de potentielles blessures. KidKraft Netherlands B.V. n'assume aucune responsabilité quant aux produits modifiés. De plus, toute modification annule l'ensemble des garanties.

Ce produit est garanti pour un **USAGE RÉSIDENTIEL SEULEMENT**. Sous aucune circonstance une structure de jeu KidKraft Netherlands B.V. ne doit être utilisée dans des lieux publics tels qu'écoles, églises, terrains de jeux, parcs, garderies et autres lieux similaires. Une telle utilisation pourrait engendrer un bris du produit et de potentielles blessures. Tout usage dans un lieu public rendra cette garantie invalide.

Cette garantie vous donne des servitudes légales précises. Vous pourriez aussi avoir d'autres servitudes variant d'un état à un autre ou d'une province à une autre. Cette garantie exclut tout dommage immatériel. Cependant, certains états ne permettent pas la prescription ou l'exclusion des dommages immatériels et pour cette raison, cette prescription pourrait ne pas s'appliquer à vous.



# Instructions sur la batterie et garantie

Cet appareil est conforme à la Partie 15 des règles FCC. Le fonctionnement est sujet aux deux conditions suivantes:

(1) Cet appareil ne doit pas générer d'interférences nuisibles, et (2) cet appareil doit accepter toute interférence reçue, incluant l'interférence qui pourrait causer un fonctionnement inadéquat.

NOTE: Cet équipement a été testé et répond aux limites pour appareil numérique de Classe B, en vertu de la partie 15 des règles FCC. Ces limites ont été établies pour offrir une protection raisonnable contre les interférences nuisibles dans une installation résidentielle. Cet équipement génère, utilise et peut émettre un rayonnement de fréquence radio et, s'il n'est pas installé adéquatement en conformément aux instructions, pourrait causer des interférences nuisibles aux communications radio. Toutefois, il n'est pas garanti que des interférences ne seront pas présentes dans une installation spécifique. Si cet équipement génère des interférences nuisibles avec la réception radio ou télévisuelle, ce qui peut être déterminé en allumant et éteignant l'équipement, l'utilisateur est invité à tenter de corriger l'interférence par le biais d'une ou de plusieurs de ces mesures:

- Réorienter ou relocaliser l'antenne de réception.
- Augmenter la distance entre l'équipement et le récepteur.
- Brancher l'équipement dans une prise se trouvant sur un circuit différent de celui sur lequel le récepteur est branché.
- Consulter le revendeur ou un technicien radio/télé expérimenté pour obtenir de l'assistance

Note: Tout changement ou modification n'ayant pas été expressément approuvé par le fabricant responsable de la conformité pourrait entraîner la révocation de l'autorisation d'utilisation de l'équipement.

Veuillez conserver les informations sur cet emballage pour référence ultérieure.

- Les batteries doivent être installées et chargées sous la supervision d'un adulte.
- Les batteries non-rechargeables ne doivent pas être chargées.
- Les batteries rechargeables doivent être chargées sous la supervision d'un adulte.
- Seules les batteries correspondant à la catégorie recommandée doivent être utilisées.
- Les batteries doivent être installées en respectant la polarité.
- Les batteries vides doivent être retirées et jetées selon les normes applicables.
- Les bornes d'alimentation ne doivent pas être court-circuitées.
- Il ne faut pas mélanger différents types de batteries, ou des batteries neuves avec des batteries usagées.
- NE PAS mélanger des batteries alcalines, régulières (carbone-zinc) et rechargeables.
- Assurez-vous d'installer les nouvelles batteries avec le signe positif (+) vers le haut.
- Les batteries rechargeables doivent être retirées du jouet avant d'être chargées.
- Les règlements de l'UE stipulent que les piles vides doivent être collectées séparément, afin qu'elles puissent être traitées à l'aide de techniques de récupération et de recyclage appropriées. Cela minimisera l'impact sur l'environnement et la santé humaine entraînés par la contamination des sols et de l'eau par toute substance dangereuse, réduira les ressources nécessaires pour fabriquer de nouveaux produits, et minimisera l'espace d'enfouissement requis.
- Les batteries ou emballages de batteries doivent être recyclés ou jetés selon les normes. Lorsque les batteries de ce produit ont atteint la fin de leur durée de vie utile, elles ne devraient pas être jetées dans les déchets domestiques.
- Contribuez à nous aider en évitant que les batteries finissent dans votre dépotoir municipal !





# INSTALLATIONS - UND BETRIEBSANLEITUNGEN



## WARNUNG

Um die Gefahr schwerer Verletzungen oder Todesfälle zu verringern, müssen Sie diese Anleitung lesen und befolgen, Bewahren Sie diese Anleitungen auf, schauen Sie sie regelmäßig an und geben Sie sie an zukünftige Besitzer der Spielset weiter. Die Kontaktinformationen des Herstellers folgen im Anschluss.

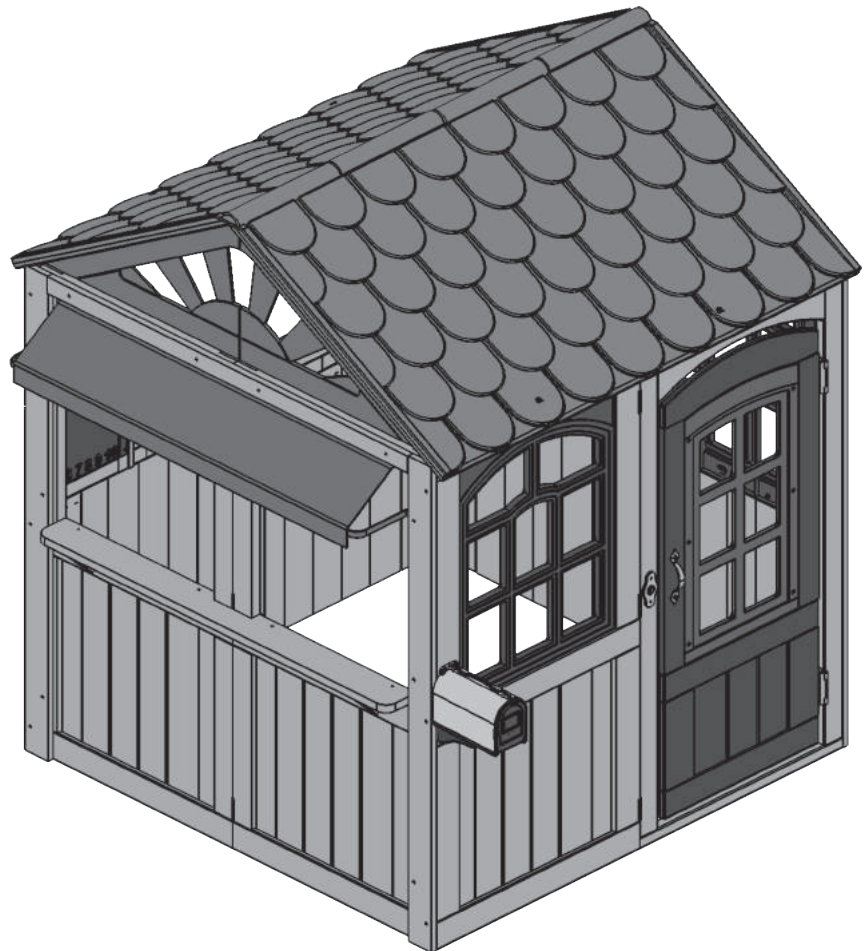
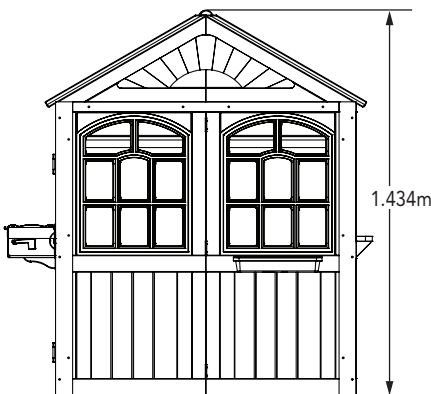
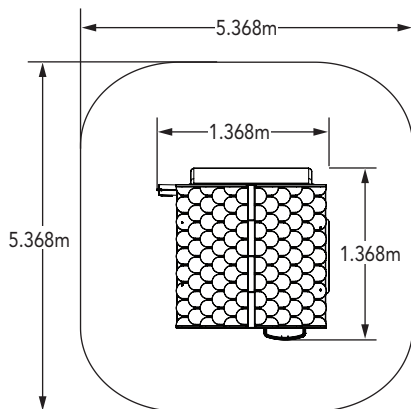
### WARNUNG:

KAPAZITÄT - Max. 4 Benutzer, Alter von 3 bis 10.

NUR FÜR DEN HAUSGEBRAUCH. Nicht für öffentliche Bereiche wie Schulen, Kirchen, Kindergärten, Tagesstätten oder Parks geeignet.

Wir empfehlen, das Aktivitätsspielzeug auf einer ebenen Oberfläche mit einem Mindestabstand von 2 m von Bauwerken und Objekten wie Zäunen, Garagen, Häusern, herunter hängenden Ästen, Wäscheleinen und elektrischen Kabeln aufzustellen.

Bitte bewahren Sie diese Informationen gut auf, damit Sie später



1.5 - 2.5 Std.

MONTAGE ZWEI  
PERSONEN



KidKraft®

# Warnungen und sichere Spielanleitungen

**MONTINUIERLICHE AUFSICHT DURCH ERWACHSENE ERFORDERLICH.** Die meisten Verletzungen und Todesfälle passierten an der Spielplatzanlage dann, wenn Kinder unbeaufsichtigt waren! Unsere Produkte sind so konzipiert, dass sie die vorgeschriebenen und freiwilligen Sicherheitsstandards erfüllen. Das Einhalten aller Warnungen und Empfehlungen dieser Anleitungen wird die Gefahr von Verletzungen oder Todesfällen bei Kindern verringern, die diesen Spielplatz benutzen. Gehen Sie mit Ihren Kindern regelmäßig die Warnungen und Anweisungen für ein sicheres Spielen durch und vergewissern Sie sich, dass sie sie verstanden haben und befolgen. Beachten Sie, dass für die Kinder aller Altersklassen ein beaufsichtigender Erwachsene präsent sein muss.



## **WARNUNG**

### **ERSTICKUNGSGEFAHR/SCHARFE KANTEN UND SPITZEN**

Montage nur durch Erwachsene. Dieses Produkt kann Kleinteile und Teile mit scharfen Kanten und Spitzen enthalten. Teile von Kindern fernhalten, bis die Anlage komplett aufgebaut ist.

### **STRANGULIERUNGSGEFAHR**

- Kindern NIE erlauben mit Seilen, Wäscheleinen, Hundeleinen, Kabeln, Ketten oder seilähnlichen Gegenständen zu Spielhaus, wenn sie diese Spielhaus benutzen oder diese Gegenstände an der Anlage anzubringen.
- Kindern NIE erlauben, lose Kleidung, Ponchos, Kapuzen, Schale, Halstücher, Gegenstände mit Spielhaus, Kordeln oder Krawatten zu tragen, wenn sie diese Spielhaus benutzen.
- Kindern NIE erlauben, Fahrrad- oder Sporthelme zu tragen, wenn sie diese Spielhaus benutzen.

Ein Nichtverbot dieser Gegenstände, einschließlich Helm mit Kinnriemen, erhöhen die Gefahr ernsthafter Verletzungen und Todesfällen von Kindern durch Erfassen und Strangulierung.

### **UMKIPPGEFAHR**

Wählen Sie für die Anlage einen ebenen Platz aus. Dies kann die Wahrscheinlichkeit verringern, dass die Spielanlage umkippt und lockeres Oberflächenfüllmaterial durch starke Regenfälle weggespült wird.

NICHT Kinder im Spielhaus spielen lassen, bevor die Montage abgeschlossen ist.

## **WARNUNG – Sichere Spielanleitungen**

- ✓ Kinder mit passenden Schuhen ausstatten, die den Fuß voll umfassen.
- ✓ Kindern nicht erlauben, Schuhe mit freien Zehen oder freier Ferse wie Sandalen, Flip-Flops oder Clogs zu tragen.
- ✓ Auf abgesplittertes, kaputtes oder brüchiges Holz und fehlende, lose oder scharfkantige Hardware überprüfen. Vordem Spielen ersetzen, festziehen oder abschleifen.
- ✗ Erlauben Sie nicht, an der Anlage hochzuklettern, wenn diese nass ist.
- ✓ Auf scharfe Kanten oder hervorstehende Schraubenköpfe prüfen und gegebenenfalls Unterlegscheiben hinzufügen.
- ✗ Raufereien oder die unsachgemäße Benutzung der Spielanlage untersagen. Auf dem Dach stehen, darauf klettern oder davon herunterspringen.

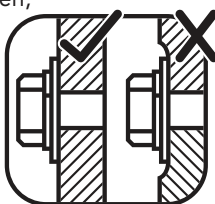
## **Ordnungsgemäße Wartungsanleitungen**

Ihre Spielanlage ist mit hochwertigen Materialien konzipiert und hergestellt, bei denen auf die Sicherheit Ihres Kindes geachtet wurde. Wie alle Produkte für Außenbereiche, die von Kindern benutzt werden, werden sie verwittern und verschleiben. Um die Freude, Sicherheit und Lebensdauer Ihrer Spielanlage zu maximieren, ist es wichtig, dass Sie sie als Besitzer korrekt warten.

### **Prüfen Sie die folgenden Punkte vor Saisonbeginn Während**

#### **EISENWAREN:**

- ✓ Metallteile auf Rost überprüfen. Sofern vorhanden, abschleifen und mit einer bleifreien Farbe gemäß der Norm 16CFR 1303 neu streichen.
- ✓ Die gesamte Hardware inspizieren und anziehen. Bei Holzaufbauten NICHT ZU STARK ANZIEHEN, da das Holz sonst brechen oder absplittern kann.
- ✓ Auf scharfe Kanten oder hervorstehende Schraubenköpfe prüfen und gegebenenfalls Unterlegscheiben hinzufügen.



#### **HOLZTEILE:**

- ✓ Alle Holzteile auf Verschleiß, strukturelle Beschädigung und Absplitterungen überprüfen. Spreißel wegschleifen und verschlissene Holzteile ersetzen. Wie bei jedem Holz sind eine Karorissbildung und kleine Risse in der Maserung normal. Ungeschützt werden sie mit der Zeit verwittern.
- ✓ Die jährliche Anwendung eines wasserabweisenden Mittels oder einer (wasserbasierten) Lasur ist für eine lange Lebensdauer des Produkts sehr wichtig.

### **Während der Spielsaison folgendes zweimal pro Monat überprüfen:**

#### **EISENWAREN:**

- ✓ Auf Festigkeit überprüfen. Sie muss fest am Holz anliegen, aber nicht brechen. NICHT ZU FEST ANZIEHEN. Dies führt zu einem Absplittern des Holzes.
- ✓ Auf scharfe Kanten oder hervorstehende Schraubenköpfe prüfen. Gegebenenfalls Unterlegscheiben hinzufügen.

**Wenn Sie Ihre Spielhaus entsorgen:** Bitte bauen Sie sie auseinander und entsorgen Ihre Anlage, damit bei der Entsorgung keine übermäßige Gefahren entstehen. Vergewissern Sie sich, Ihre örtlichen Müllbestimmungen zu befolgen.



**KidKraft®**

# Über unser Holz

KidKraft Netherlands B.V. verwendet bei Spielanlagen nur Premiumhölzer und gewährleistet die Produktsicherheit, damit sie von Kindern benutzt werden können. Obwohl wir bei der Auswahl der verfügbaren Hölzer der besten Qualität sehr sorgfältig handeln, ist Holz immer noch ein Naturprodukt, das verwittern und das Erscheinungsbild Ihrer Spielanlage verändern kann.

## Was führt zur Verwitterung? Wird die Festigkeit meiner Spielanlage dadurch beeinflusst?

Einer der Hauptgründe für Verwitterung sind die Auswirkungen des Wassers (Feuchtigkeit). Der Feuchtigkeitsgehalt von Holz ist an der Oberfläche anders als im Holzinneren. Durch die Klimawechsel dringt Feuchtigkeit in das Holz ein und tritt aus und sorgt für eine Spannung, die zur Karorissbildung oder zum Verziehen führen können. Aufgrund der Verwitterung können Sie von folgendem ausgehen. Diese Veränderungen werden die Festigkeit des Produkts nicht beeinflussen:

1. Karorissbildung sind Oberflächenrisse im Holz entlang der Maserung. Ein Pfosten (4" x 4") wird mehr Karorissbildung aufweisen, als ein Brett (1" x 4"), da die Oberfläche und die Feuchtigkeitsmenge im Holz deutlich mehr variieren wird, als in dünnem Holz.
2. Ein Verziehen entsteht durch irgendeine Deformation (Verwindung, Schüsselung) der Originalfläche des Bretts und passiert oft durch ein schnelles Nasswerden und Trocknen des Holzes.
3. Ein Verblassen passiert als natürliche Veränderung in der Holzfarbe, wenn es der Sonne ausgesetzt ist. Im Laufe der Zeit wird es grau.

## Wie kann ich das Verwittern an meiner Spielanlage einschränken?

Werkseitig haben wir das Holz mit einem wasserabweisenden Mittel oder einer Lasur beschichtet. Diese Beschichtung verringert die Menge des eindringenden Wassers bei Regen oder Schneefall, wodurch die Spannung im Holz abnimmt. Das Sonnenlicht wird die Beschichtung auflösen, deshalb ist ein jährliches Auftragen eines wasserabweisenden Mittels oder einer Lasur eine wichtige Instandhaltungsmaßnahme. (Kontaktieren Sie Ihren örtlichen Farbhändler, um sich ein Produkt empfehlen zu lassen)

Die meisten Verwitterungen sind einfach nur das normale Ergebnis der Natur und beeinflussen ein sicheres Spielen und das Vergnügen für Ihr Kind nicht. Sollten Sie dennoch Bedenken haben, das ein Bauteil ein bedeutendes Verwitterungsproblem aufweist, kontaktieren Sie bitte unsere Kundenabteilung für weitere Hilfe.

**Bitte füllen Sie Ihre Produktregistrierung auf <https://prdregistration.kidkraft.com/> online aus, um wichtige Produktnachrichten zu erhalten und einen prompten Garantieservice sicherzustellen**

## 5 Jahre beschränkte Garantie

KidKraft Netherlands B.V. garantiert für einen Zeitraum von einem Jahr ab dem Kaufdatum, dass dieses Produkt frei von Fehlern in der Verarbeitung, im Design oder von Materialfehlern ist. Zusätzlich gibt es für das Holz eine 5-jährige Garantie gegen Strukturfehler aufgrund von Schäden durch Fäulnis und Insekten. Alle anderen Bauteile wie Hardware, Schaukeln, Fahrten, Anbauten und Rutschen haben nur ein Jahr Garantie.

Diese Garantie gilt für den Originalbesitzer und die registrierte Person und ist nicht übertragbar. Eine regelmäßige Wartung ist erforderlich, um die Integrität Ihrer Spielanlage sicherzustellen. Ein Versäumnis des Besitzers, das Produkt gemäß der Wartungsanforderungen instandzuhalten, kann zum Erlöschen dieser Garantie führen. Diese Garantie deckt keine Inspektionskosten ab

Diese beschränkte Garantie deckt folgende Punkte nicht ab:

- Arbeitslohn für das Ersetzen fehlerhafter Teile.
- Neben- oder Folgeschäden.
- Kosmetische Mängel, die die Performance oder Integrität nicht beeinflussen
- Vandalismus, unsachgemäße Benutzung oder Installation, Naturereignisse.
- Geringfügige Verwindungen, Verziehen, Karorissbildung oder alle anderen natürlichen Holzeigenschaften, die die Performance oder Integrität nicht beeinflussen

Die Produkte von KidKraft Netherlands B.V. sind auf Sicherheit und Qualität ausgelegt. Alle Veränderungen, die am Originalprodukt vorgenommen werden, können die strukturelle Integrität der Anlage beschädigen und zum Ausfall und möglichen Verletzungen führen. KidKraft Netherlands B.V. kann für veränderte Produkte keinerlei Haftung übernehmen. Des Weiteren annulliert eine Veränderung alle Garantieansprüche.

Die Garantie dieses Produkts gilt **NUR FÜR DIE NUTZUNG ZUHAUSE**. Unter keinen Umständen darf eine Spielanlage von KidKraft Netherlands B.V. an öffentlichen Plätzen wie Schulen, Kirchen, Spielplätzen, Parks, Tagesstätten und dergleichen benutzt werden. Eine solche Benutzung kann zu einem Produktversagen und potenziellen Verletzungen führen. Jegliche öffentliche Benutzung führt zum Erlöschen dieser Garantie.



Bitte bewahren Sie diese Informationen so auf, dass Sie bei Bedarf auf sie zurückgreifen können.

- Batterien dürfen nur von Erwachsenen eingelegt und ausgetauscht werden.
- Nicht-aufladbare Batterien dürfen nicht wieder aufgeladen werden.
- Die Aufladung von aufladbaren Batterien darf nur unter Aufsicht von Erwachsenen erfolgen.
- Es dürfen nur Batterien des gleichen oder entsprechenden Typs verwendet werden.
- Batterien müssen gemäß den Polungszeichen korrekt einlegt werden.
- Verbrauchte Batterien bitte nicht im Spielzeug belassen und korrekt entsorgen.
- Die Anschlussklemmen dürfen nicht kurzgeschlossen werden.
- Ungleiche Batterietypen sowie neue und gebrauchte Batterien dürfen nicht zusammen verwendet werden.
- Alkaline-, Standard- (Zinkkohle)- und aufladbare Batterien dürfen NICHT zusammen verwendet werden.
- Stellen Sie sicher, dass Sie die neuen Batterien mit dem (+)-Pol nach oben einsetzen.
- Wiederaufladbare Batterien müssen aus dem Batteriefach des Spielzeugs genommen werden, bevor sie aufgeladen werden.
- Laut EU-Richtlinien müssen verbrauchte Batterien getrennt entsorgt werden, sodass sie auf die beste Art und Weise verwertet und recycelt werden können. Dies reduziert die Auswirkungen auf die Umwelt und die Gesundheit, sowie Wasserverunreinigung durch gefährliche Substanzen. Desweiteren werden weniger Ressourcen benötigt um neue Produkte herzustellen und Deponieraum kann eingespart werden.
- Batterien oder Akku-Packs müssen ordnungsgemäß recycelt werden. Wenn die Batterien ihr Lebensende erreicht haben, dürfen sie nicht im Hausmüll entsorgt werden.
- Bitte leisten auch Sie Ihren Beitrag indem Sie die leeren Batterien nicht in die kommunale Abfallentsorgung gelangen lassen.



# INSTALLATIE- EN BEDIENINGSINSTRUCTIES



## WAARSCHUWING

Om het risico op ernstig letsel of dodelijke ongevallen te beperken, moet u deze instructies lezen. Houdt u deze instructies bij de hand en overhandig ze aan de eventuele toekomstige eigenaar van dit speelhuis. Contactgegevens fabrikant zijn hieronder.

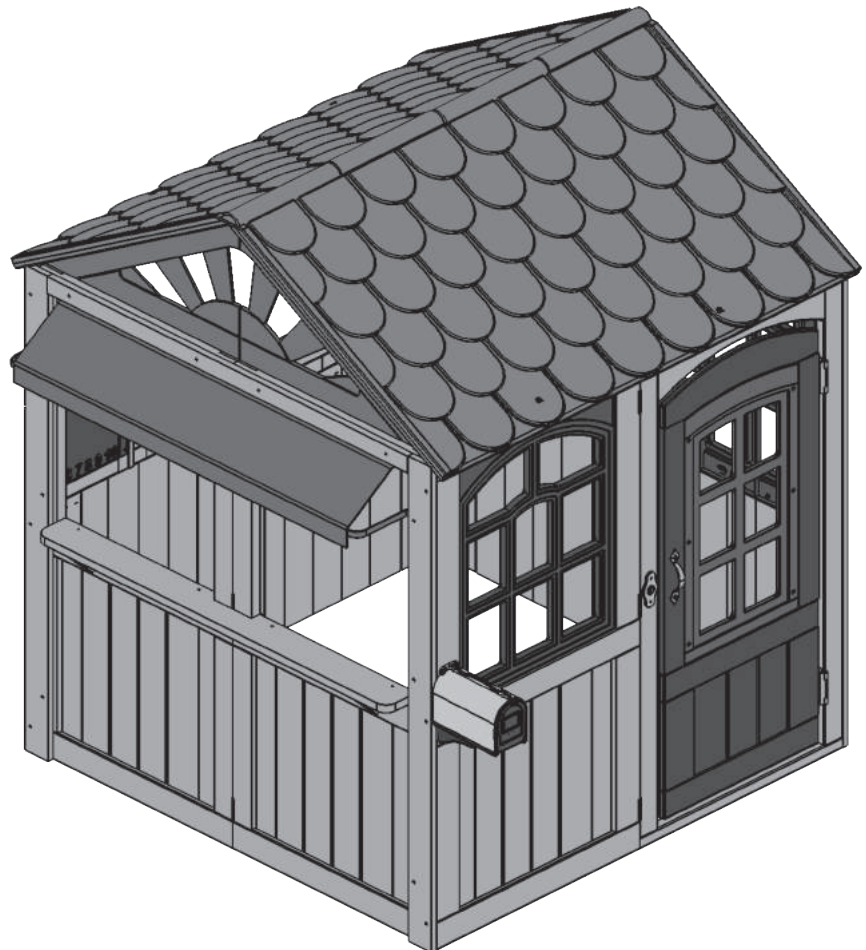
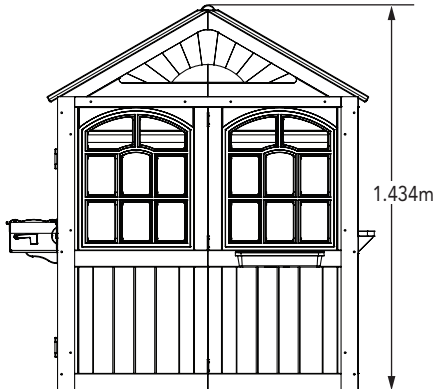
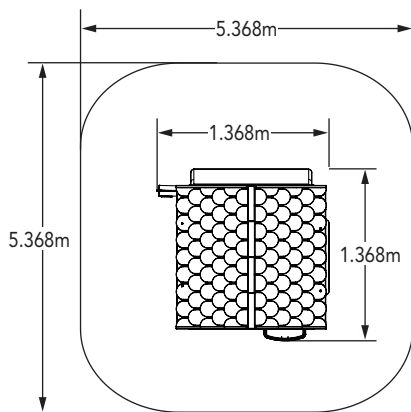
### WAARSCHUWING:

CAPACITEIT - Maximaal 4 gebruikers, Leeftijd van 3 tot 10 jaar.

ALLEEN VOOR THUISGEBRUIK. Niet bedoeld voor openbare ruimtes zoals scholen, kerken, kinderdagverblijven, crèches of parken.

We raden aan om het speeltoestel op een vlak oppervlak te plaatsen op minimaal 2 m vanaf elke constructie of obstakels, zoals hekken, garages, overhangende takken, waslijnen of elektrakabels.

Deze informatie bewaren voor toekomstig gebruik.



1.5 - 2.5 uur

TWEE-  
PERSOONSMONTAGE



KidKraft®



# Waarschuwingen en instructies voor veilig spelen

**CONTINU TOEZICHT VAN VOLWASSENEN VEREIST.** De meeste ernstige verwondingen en dodelijke ongevallen op speeltoestellen doen zich voor bij kinderen zonder toezicht! Onze producten zijn ontworpen om te voldoen aan verplichte en vrijwillige veiligheidsnormen. Als u alle waarschuwingen en aanbevelingen in deze handleiding navolgt, vermindert het risico op ernstig letsel of overlijden van kinderen bij gebruik van dit speeltoestel. Neem de waarschuwingen en de instructies voor veilig spelen goed en regelmatig met uw kinderen door en zorg ervoor dat ze die begrijpen en opvolgen. Vergeet niet dat toezicht ter plaatse van een volwassene vereist is voor kinderen van alle leeftijden.



## WAARSCHUWING

### VERSTIKKINGSGEVAAR/SCHERPE RANDEN EN PUNTEN

Montage door volwassenen vereist. Dit product bevat kleine onderdelen en onderdelen met scherpe randen en punten. Houd onderdelen uit de buurt van kinderen totdat het toestel volledig is gemonteerd.

### WURTINGSGEVAAR

- Laat **NOOIT** kinderen hechten spelen met touwen, waslijnen, zodiacs, kabels, kettingen of touw-achtige items bij gebruik van dit speelhuis van hechten items op de speeltoestellen.
- Zorg ervoor dat kinderen **NOOIT** loszittende kleding, poncho's, hoodie's, sjaals, capes, kettingen of items met koorden, veters of riemen dragen als ze het speelhuis gebruiken.
- Laat kinderen **NOOIT** fiets- of sporthelmen dragen bij gebruik van dit speelhuis.

Het negeren van het verbieden van deze items, zelfs het dragen van helmen met kinbandjes, verhoogt het risico op ernstig letsel en dood aan kinderen door verstrikking en wurging.

### KANTELGEVAAR

Selecteer een gelijkmatige locatie voor de constructie. Dit kan tijdens zware regenval de kans op kantelen van het speelhuis en het risico op wegspoelen van gevuld dekmateriaal verminderen.

Sta kinderen **NIET** toe om met het speelhuis te spelen tot de montage geheel voltooid is.

## WAARSCHUWING – Instructies voor veilig spelen

- ✓ Kinderen kleden met passende schoenen die de voet volledig bedekken.
- ✓ Controleer op versplinterd, gebroken of afbladderend hout en ontbrekende, los zittende of scherpe onderdelen. Vervang, draai vast of schuur als dat nodig is voorafgaand aan het spelen.
- ✗ Laat kinderen niet spelen met schoeisel met open tenen of hielen, zoals sandalen, slippers of klompen.
- ✗ Sta klimmen niet toe terwijl de apparatuur nat is.
- ✗ Sta geen ruw spel toe of het gebruik van de apparatuur op een manier waarvoor het niet bedoeld is. Op het dak staan, erop klimmen of eraf springen.

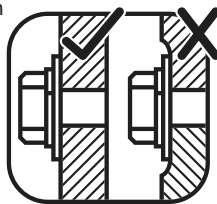
## Instructies voor correct onderhoud

Uw Speeltoestel is ontworpen en vervaardigd van hoogwaardige materialen met de veiligheid van uw kind in het achterhoofd. Zoals bij alle outdoorproducten die door kinderen worden gebruikt, zal het met de tijd slijten. Om het plezier, de veiligheid en levensduur van het speeltoestel te maximaliseren, is het belangrijk dat u het als eigenaar goed onderhoudt.

### Controleer het volgende aan het begin van het speelseizoen:

#### METALEN ONDERDELEN:

- ✓ Controleer metalen onderdelen op roest. Indien dit wordt gedetecteerd, schuur en herschildert u het met gebruik van een loodvrije verf die voldoet aan 16 CFR 1303.
- ✓ Inspecteer en draai alle onderdelen goed vast. Bevestig houten montages **NIET TE STRAK** omdat dit breuken en splinters van hout kan veroorzaken.
- ✓ Controleer op scherpe randen of uitstekende schroefdraden, voeg indien nodig, ringen toe.



#### HOUTEN ONDERDELEN:

- ✓ Controleer alle houten onderdelen op slijtage, structurele schade en splinters. Schuur splinters af en vervang verslechterde houtdelen. Zoals altijd met hout, zijn lichte scheuren en barsten normaal. Indien onbeschermd, zullen ze met de tijd verweerd lijken.
- ✓ Het jaarlijks aanbrengen van een waterafstotend middel of beitsmiddel (op waterbasis) is belangrijk onderhoud om de maximale levensduur en prestaties van het product te behouden.

### Controleer tijdens het speelseizoen twee keer per maand:

#### METALEN ONDERDELEN:

- ✓ Controleer of alles goed vastzit. Het moet stevig zijn, maar mag het hout niet breken. **DRAAI NIET TE VAST AAN.** Dit zal versplintering van hout veroorzaken.
- ✓ Controleer op scherpe randen of uitstekende schroefdraden. Voeg ringen toe indien nodig.

**Als u uw speelhuis weggooit:** Demonteer uw toestel zodanig dat het weggooien geen onredelijke risico's veroorzaakt op het moment dat het wordt weggegooid. Volg uw lokale verordeningen met betrekking tot afvalverwerking.



**KidKraft®**

# Over ons hout

KidKraft Nederland B.V. maakt alleen gebruik van premiumkwaliteit speeltoestelhout en staat borg voor het veiligste gebruiksproduct voor uw kinderen. Hoewel we veel zorg besteden aan de selectie van de best beschikbare kwaliteit hout, is hout nog steeds een natuurproduct en gevoelig voor weersinvloeden die het uiterlijk van uw toestel kunnen wijzigen.

## **Wat veroorzaakt verwerking? Heeft het invloed op de sterkte van mijn Speeltoestel?**

Een van de belangrijkste redenen voor verwerking is het effect van water (vocht), omdat het vochtgehalte van het hout aan het oppervlak anders dan het inwendige hout. Omdat het klimaat verandert, beweegt vocht in of uit het hout, waardoor spanning wordt veroorzaakt dat kan leiden tot scheuren en/of kromtrekken. U kunt het volgende verwachten als gevolg van verwerking. Deze veranderingen hebben geen invloed op de sterkte van het product:

1. Houtscheuren zijn scheuren aan het oppervlak van het hout langs de nerf. Een paal (10 x 10 cm) zal meer scheuren krijgen dan een plaat (2,5 x 10 cm), omdat het oppervlak en het inwendige vochtgehalte breder zal variëren dan in dunner hout.
2. Kromtrekken is het resultaat van vervorming (draaien, komvorming) van het originele vlak van de plaat en gebeurt vaak bij snelle bevochtiging en droging van het hout.
3. Vervaging gebeurt als een natuurlijke verandering in de houtkleur als het wordt blootgesteld aan zonlicht en zal met de tijd vergrijzen.

## **Ho e kan ik de hoeveelheid verwerking aan mijn Speeltoestel verminderen?**

In de fabriek hebben we het hout met een waterafstotend middel of beits behandeld. Deze coating vermindert de hoeveelheid waterabsorptie van regen of sneeuw waardoor de spanning in het hout vermindert. Zonlicht zal de coating aantasten, het op jaarbasis aanbrengen van een waterafstotend of vlekwerend middel is belangrijk voor het onderhoud. (Raadpleeg uw lokale leverancier van vlekwerende middelen en verf voor een aanbevolen product)

De meeste verwerking is gewoon het normale gevolg van de natuur en heeft geen invloed op veilig spelen en plezier voor uw kind. Als u zich echter zorgen maakt dat een onderdeel een zwaar verweringsprobleem heeft, kunt u bellen met onze afdeling consumentenrelaties voor verdere assistentie.

**Voltooi online uw productregistratie op <https://prdregistration.kidkraft.com/> om belangrijke productmeldingen te ontvangen en zorg te dragen voor snelle service onder de garantie.**

## **5 jaar fabrieksgarantie**

KidKraft Nederland B.V. garandeert dat dit product vrij is van materiaal- en fabricagefouten voor een periode van één jaar na de oorspronkelijke datum van aankoop. Bovendien heeft het hout een garantie van 5 jaar tegen structurele defecten als gevolg van rot en insectenschade. Alle andere onderdelen zoals metalen onderdelen, schommels, banen, accessoires en glijbanen hebben slechts een garantie van een jaar.

Deze garantie is van toepassing op de oorspronkelijke eigenaar en geregistreerde en is niet overdraagbaar.

Regelmatig onderhoud is nodig om de integriteit van uw Speeltoestel te verzekeren. Verzuim van de eigenaar om het product volgens de onderhoudsvoorschriften te onderhouden kan deze garantie ongeldig maken.

Deze Garantie dekt geen inspectiekosten.

Deze fabrieksgarantie dekt geen:

- Arbeidskosten voor vervanging van defecte items(s);
- Incidentele of gevolgschade;
- Cosmetische gebreken die geen invloed hebben op de prestaties of de integriteit;
- Vandalisme; oneigenlijk gebruik of installatie; handelingen van de natuur;
- Beperkt verdraaien, kromtrekken, scheuren of een andere natuurlijke voorkomende eigenschap van hout die invloed heeft op de prestaties of integriteit.

KidKraft Nederland B.V.-producten zijn ontworpen voor veiligheid en kwaliteit. Eventuele wijzigingen aan n het oorspronkelijke product kan de structurele integriteit van het toestel beschadigen wat leidt tot uitval en mogelijk letsel. KidKraft Nederland B.V. draagt geen enkele verantwoordelijkheid voor gewijzigde producten Bovendien vervallen bij wijziging alle garanties.

Dit product is ALLEEN VOOR THUISGEBRUIK gegarandeerd. Onder geen beding mag een KidKraft Nederland B.V. Speeltoestel worden gebruikt in openbare omgevingen zoals scholen, kerken, speeltuinen, parken, kinderdagverblijven en dergelijke. Een dergelijk gebruik kan leiden tot defecten en potentieel letsel. Enige en alle openbare gebruik maken deze garantie ongeldig.

Deze Garantie geeft u specifieke wettelijke rechten. U kunt ook andere rechten hebben die verschillen van land tot land of provincie tot provincie. Deze garantie sluit alle gevolgschade uit, maar sommige landen staan geen beperking of uitsluiting van gevolgschade toe en daarom is deze beperking mogelijk niet op u van toepassing.

Bewaar de informatie over dit pakket voor later gebruik.

- Batterijen plaatsen en vervangen moet altijd onder toezicht van een volwassene gebeuren.
- Niet-oplaadbare batterijen opladen is verboden.
- Oplaadbare batterijen opladen mag alleen onder toezicht van een volwassene gebeuren.
- Gebruik alleen dezelfde gelijkwaardige batterijen als aanbevolen.
- Breng de batterijen moeten met de juiste polariteit aan.
- Lege batterijen moeten uit het speelgoed worden gehaald en op de juiste manier worden afgevoerd.
- Schakel de voedingsterminals niet uit.
- Combineer geen verschillende soorten batterijen of nieuwe en gebruikte batterijen.
- Alkaline, standaard (zink-koolstof) of oplaadbare batterijen samen gebruiken, IS VERBODEN.
- Zorg ervoor dat de nieuwe batterijen met de positieve pool (+) naar boven worden geplaatst.
- Herlaadbare batterijen moeten uit het speelgoed worden verwijderd voor ze worden opgeladen.
- Volgens de EU richtlijnen dienen lege batterijen apart ingezameld te worden om ze zo op de beste manier te recyclen en te verwerken. Dit minimaliseert de impact op het milieu en de mens doordat er geen schadelijke stoffen in de grond terechtkomen, er minder grondstoffen voor de productie van nieuwe producten nodig zijn en omdat er minder afvalverwerking plaatsvindt.
- Batterijen of batterijpakken dienen op de juiste manier gerecycleerd en verwerkt te worden. Wanneer de batterijen in dit product opgebruikt zijn mogen ze niet met het gewone huishoudafval weggegooid worden.
- Draagt u alstublieft zelf uw steentje bij door batterijen uit het afvaltraject te houden!



# ИНСТРУКЦИИ ПО УСТАНОВКЕ И ЭКСПЛУАТАЦИИ



## ПРЕДУПРЕЖДЕНИЕ

Для снижения риска серьезной травмы или смерти прочитайте эти инструкции и следуйте им. Сохраните эти инструкции и при необходимости обращайтесь к ним, а также передайте их

ЗОНА, СВОБОДНАЯ ОТ ПРЕПЯТСТВИЙ — 5,368 м x 5,368 м (17' 7 3/8" x 17' 7 3/8")

### ВПРЕДУПРЕЖДЕНИЕ:

ВМЕСТИМОСТЬ - максимум 4 пользователей, возрастом от 3 до 10 лет

ТОЛЬКО ДЛЯ БЫТОВОГО ИСПОЛЬЗОВАНИЯ. Не предназначено для зон общественного пользования, например, школ, церкви, яслей, детских садов или парков.

Предназначено исключительно для использования в домашних условиях.

Рекомендуется размещать спортивно-игровое оборудование на горизонтальной поверхности на расстоянии не менее 2 м от любых объектов или препятствий, таких как забор, гараж, дом, выступающие кроны и ветви деревьев, бельевые веревки или электрические провода.

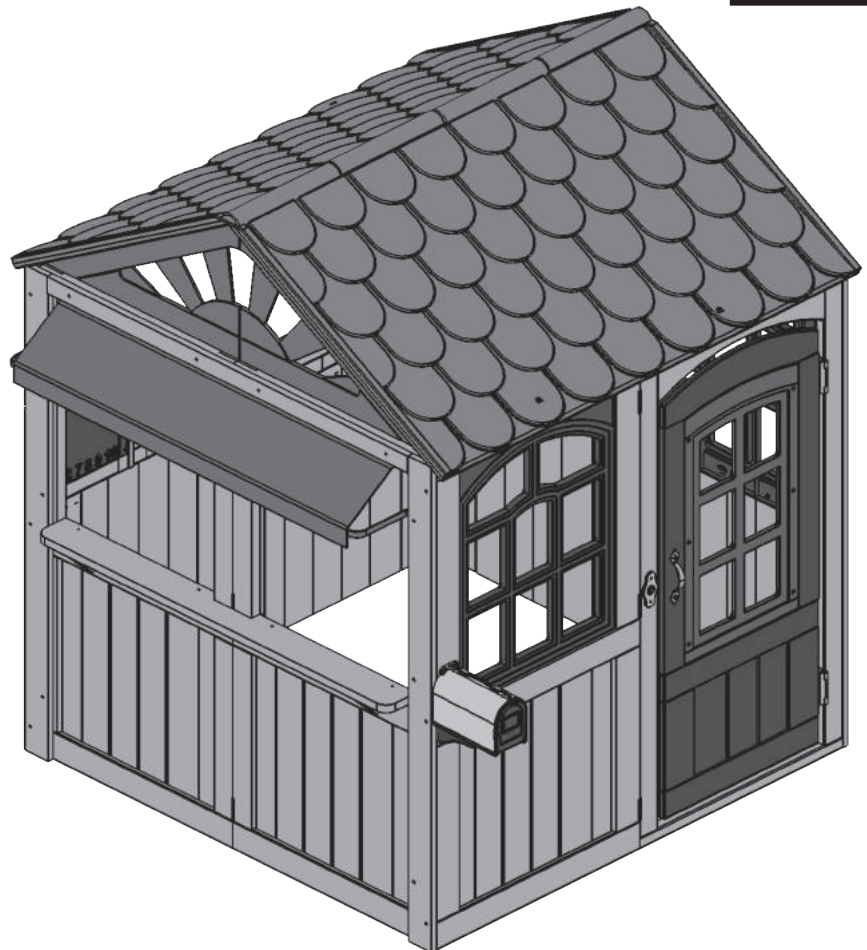
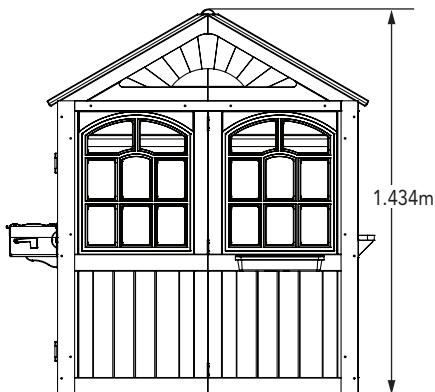
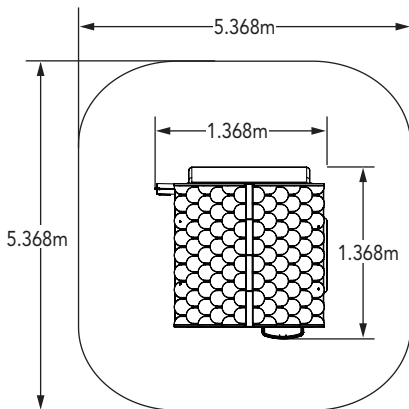
Запрещается устанавливать спортивно-игровое оборудование на бетон, асфальт или другие твердые поверхности.

Сохраните инструкции для последующего обращения.



1.5 - 2.5 часов

ДЛЯ СБОРКИ  
НУЖНО ДВА  
ЧЕЛОВЕКА



ИЗДЕЛИЕ ПРЕДНАЗНАЧЕНО ИСКЛЮЧИТЕЛЬНО ДЛЯ СЕМЕЙНОГО ИСПОЛЬЗОВАНИЯ НА ОТКРЫТОМ ВОЗДУХЕ



KidKraft®

## Предупреждения и инструкции по безопасному использованию



ДЕТИ ДОЛЖНЫ ВСЕГДА НАХОДИТЬСЯ ПОД ПРИСМОТРОМ ВЗРОСЛЫХ. Большинство серьезных травм и смертельных случаев на оборудовании игровых площадок происходят по причине отсутствия присмотра за детьми со стороны взрослых! Наша продукция отвечает всем обязательным и рекомендательным стандартам безопасности. Соблюдение всех предупреждений и рекомендаций в этих инструкциях позволяет снизить риск серьезной или смертельной травмы для детей при использовании данной игровой системы. Регулярно напоминайте детям обо всех предупреждениях и инструкциях по безопасному использованию, чтобы они понимали и выполняли их. Помните, что дети всех возрастов должны находиться на игровой площадке под присмотром взрослых.



### ПРЕДУПРЕЖДЕНИЕ

#### ОПАСНОСТЬ УДУШЬЯ/ОСТРЫЕ КРАЯ И КОНЦЫ

Сборку должны выполнять взрослые. Данный продукт содержит мелкие детали с острыми краями и концами. Храните детали в недоступном для детей месте до полной сборки.

#### ОПАСНОСТЬ УДУШЕНИЯ

- **НИКОГДА** не разрешайте детям играть со шнурами, бельевыми веревками, поводками домашних животных, кабелями, цепями или бечевками при использовании данного игрового домика, а также прикреплять эти предметы к игровому домику.
- **НИКОГДА** не разрешайте детям носить свободную одежду, пончо, капюшоны, шарфы, плащи, бусы, одежду с завязками, брюки из рубчатого плеса или галстуки при использовании данного игрового домика.
- **НИКОГДА** не разрешайте детям носить велосипедные или спортивные шлемы при использовании данного игрового домика.

Использование данных предметов, даже шлемов с подбородочными ремнями, увеличивает риск серьезной травмы и смерти детей вследствие зацепления и удушья.

#### ОПАСНОСТЬ ОПРОКИДЫВАНИЯ

Выберите ровное место для установки оборудования. Это позволит уменьшить вероятность опрокидывания детского городка и смывания амортизационных сыпучих материалов с поверхности во время сильных дождей.

**НЕ** разрешайте детям играть на детском городке до завершения его сборки и надлежащей фиксации.



### ПРЕДУПРЕЖДЕНИЕ – Инструкции по безопасному использованию

- ✓ Одевайте на детей плотно сидящую и полностью закрывающую ступню обувь.
- ✓ Проверьте наличие расколотых, поломанных или треснувших деревянных деталей; отсутствующих, незатянутых крепежных деталей, а также деталей с острыми краями. При необходимости замените, затяните или отшлифуйте эти детали перед началом игры.
- ✗ Не разрешайте детям носить обувь с открытым носком или пяткой, например, сандалии, вьетнамки или клоги.
- ✗ Не разрешайте взбираться на игровое оборудование, когда оно мокрое.
- ✗ Не разрешайте грубую игру или использование игрового оборудования в целях, для которых оно не предназначено. Запрещается стоять на крыше, взбираться на крышу или прыгать с нее.

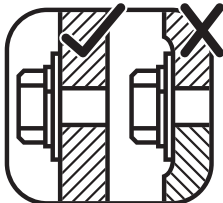
## Инструкции по правильному техобслуживанию

Ваша игровая система спроектирована и изготовлена из качественных материалов с учетом безопасности вашего ребенка. Поскольку эта продукция предназначена для установки на открытом воздухе, она подвержена воздействию погодных условий и износа. Для обеспечения максимального удовольствия, безопасности и срока службы вашего детского городка важно чтобы вы, владелец, правильно выполняли его техобслуживание.

В начале игрового сезона проверьте следующее:

#### КРЕПЕЖНЫЕ ДЕТАЛИ:

- ✓ Проверьте металлические детали на предмет ржавчины. При ее обнаружении отшлифуйте и повторно покрасьте детали с помощью не содержащей свинца краски, отвечающей требованиям стандарта 16 CFR 1303.
- ✓ Проверьте и затяните все крепежные детали. На деревянных узлах **ЧРЕЗМЕРНО НЕ ЗАТЯГИВАЙТЕ** крепежные детали, поскольку это может привести к разрушению и раскалыванию древесины.
- ✓ Проверьте наличие острых краев или выступающей резьбы винтов. При необходимости добавьте шайбы.



#### ДЕРЕВЯННЫЕ ДЕТАЛИ

- ✓ Проверьте все деревянные элементы на предмет разрушения, структурного повреждения и раскалывания. Отшлифуйте задиры и замените разрушившиеся деревянные элементы. Тонкие и небольшие трещины в волокне древесины считаются нормой.
- ✓ Ежегодное нанесение водоотталкивающего или красящего состава (на водной основе) помогает обеспечить максимальный срок службы изделия и сохранить его внешний вид.

Проверяйте два раза в месяц во время игрового сезона:

#### КРЕПЕЖНЫЕ ДЕТАЛИ:

- ✓ Проверьте плотность затяжки. Должны быть плотно затянуты, но не разрушать древесину. **ЗАПРЕЩАЕТСЯ ЧРЕЗМЕРНО ЗАТЯГИВАТЬ**, поскольку это приведет к раскалыванию древесины.
- ✓ Проверьте наличие острых краев или выступающей резьбы винтов. При необходимости добавьте шайбы.

**Утилизация игрового домика:** Разберите и демонтируйте игровое оборудование так, чтобы оно не создавало ненужных рисков во время его утилизации. Соблюдайте требования местных нормативных документов в области обращения с отходами.



# KidKraft®



# Информация о деревянных деталях

KidKraft Netherlands B.V. использует для изготовления детских городков древесину только высшего качества, гарантируя высокую безопасность продукции для детей. Несмотря на то, что мы принимаем все усилия для выбора древесины высшего качества, древесина является природным материалом и подвержена воздействию погодных условий, которые могут изменить внешний вид вашего детского городка.

## Какое влияние оказывают погодные условия? Влияют ли они на прочность игровой системы?

Одним из основных влияний погодных условий является воздействие воды (влаги); содержание влаги в древесине на поверхности отличается от содержания влаги в ее внутренней части. При изменении климатических условий влага перемещается вовнутрь или наружу древесины, создавая напряжение, которое может привести к растрескиванию или короблению. Погодные условия могут оказывать следующие воздействия. Эти изменения не влияют на прочность продукции.

1. Растрескивание – это поверхностные трещины в древесине вдоль ее волокон. Стойка (4" x 4") более подвержена растрескиванию, чем планка (1" x 4"), поскольку содержание влаги на поверхности и внутри древесины варьирует более широко, чем в более тонкой древесине.
2. Коробление происходит вследствие любых деформаций (скручивания, поперечного коробления) исходной плоскости планки и часто возникает из-за быстрого намокания и высыхания древесины.
3. Выгорание происходит как естественное изменение цвета древесины под воздействием солнечного света, которая со временем становится

## Как можно уменьшить влияние погодных условий на игровую систему?

На заводе деревянные детали покрываются водоотталкивающим или красящим составом. Это покрытие уменьшает величину поглощения воды во время дождя или снега, таким образом снижая напряжение в древесине. Под воздействием солнечного света защитное покрытие разрушается, поэтому необходимо ежегодно наносить на деревянные детали водоотталкивающий или красящий состав. (Обратитесь к вашему местному поставщику лакокрасочной продукции для приобретения рекомендованного продукта).

Воздействие погодных условий является нормальным природным процессом и не влияет на безопасность игры и удовольствие для вашего ребенка. Однако если какие-либо детали детского городка разрушаются под воздействием погодных условий, обратитесь в наш отдел по работе с клиентами для получения дополнительной технической поддержки.

**Заполните регистрационную форму для вашей продукции на вебсайте <https://prdregistration.kidkraft.com/>, чтобы получать важные уведомления о продукции и обеспечить оперативное гарантийное обслуживание.**

## 5-летняя ограниченная гарантия

KidKraft Netherlands B.V. гарантирует, что данная продукция не имеет дефектов материалов и качества изготовления на протяжении одного года с начальной даты покупки. Кроме того, на деревянные детали предоставляется 5-летняя гарантия на отсутствие неисправности конструкции вследствие гниения и повреждения насекомыми. На все остальные детали, такие как крепежные детали, качели, принадлежности и горки, предоставляется гарантия сроком только один год.

Настоящая гарантия предоставляется только начальному зарегистрированному владельцу и не подлежит передаче другому лицу. Для обеспечения целостности вашей игровой системы требуется ее регулярное техобслуживание. Невыполнение владельцем техобслуживания данной продукции в соответствии с установленными требованиями может привести к аннулированию этой гарантии. Данная гарантия не покрывает никакие расходы на выполнение технической проверки.

Данная ограниченная гарантия не покрывает:

- работы по замене любых дефектных деталей;
- случайные или косвенные убытки;
- косметические дефекты, которые не влияют на эксплуатационные характеристики или целостность продукции;
- вандализм; неправильное использование или установку, стихийные бедствия;
- незначительные искривления, коробление, растрескивание или любые другие природные изменения свойств древесины, не влияющие

Продукция KidKraft Netherlands B.V. спроектирована для обеспечения безопасности и качества. Любые выполненные изменения исходной продукции могут привести к нарушению ее структурной целостности, разрушению и возможной травме. KidKraft Netherlands B.V. не несет никакой ответственности за измененную продукцию. Кроме того, внесение изменений в конструкцию продукции аннулирует все гарантии.

Настоящая продукция предназначена ТОЛЬКО ДЛЯ БЫТОВОГО ИСПОЛЬЗОВАНИЯ. Запрещается использовать игровую систему KidKraft Netherlands B.V. в общественных местах, например, школах, церквях, игровых площадках, парках, детских садах и т. п. Такое использование может привести к разрушению продукции и возможной травме. При использовании этой продукции в общественных местах действие данной гарантии аннулируется.

Настоящая гарантия устанавливает конкретные юридические права потребителя. Потребитель может также иметь другие права, предусмотренные соответствующей

юрисдикцией. Настоящая гарантия исключает ответственность за любой случайный или косвенный ущерб. Однако в некоторых регионах ограничение или отказ от ответственности за случайный или косвенный ущерб запрещены законодательством, поэтому в некоторых случаях вышеизложенное может быть неприменимо.

## Инструкции по использованию батареи и гарантийные условия

Данное устройство соответствует требованиям Части 15 Правил Федеральной комиссии по связи США (FCC). При использовании устройства необходимо соблюдать два обязательных условия:

1) устройство не должно являться источником опасных помех; 2) устройство должно выдерживать любые помехи, включая помехи, вызывающие сбои в работе.

**ПРИМЕЧАНИЕ:** Данное оборудование по результатам испытаний признано соответствующим ограничениям для цифровых устройств класса В, установленным в Части 15 Правил Федеральной комиссии по связи США (FCC). Эти ограничения применяются для обеспечения необходимой степени защиты от интерференционных помех при установке оборудования в жилых помещениях. Оборудование генерирует, использует и может излучать энергию в радиочастотном диапазоне, которая, в случае использования или установки оборудования с нарушением инструкций, может создавать вредные радиопомехи. Однако отсутствие помех в каждом конкретном случае установки не гарантируется. Если данное оборудование препятствует приему радио- или телевизионного сигнала, в чем можно убедиться, выключив и снова включив оборудование, для устранения помех выполните одно или несколько следующих действий:

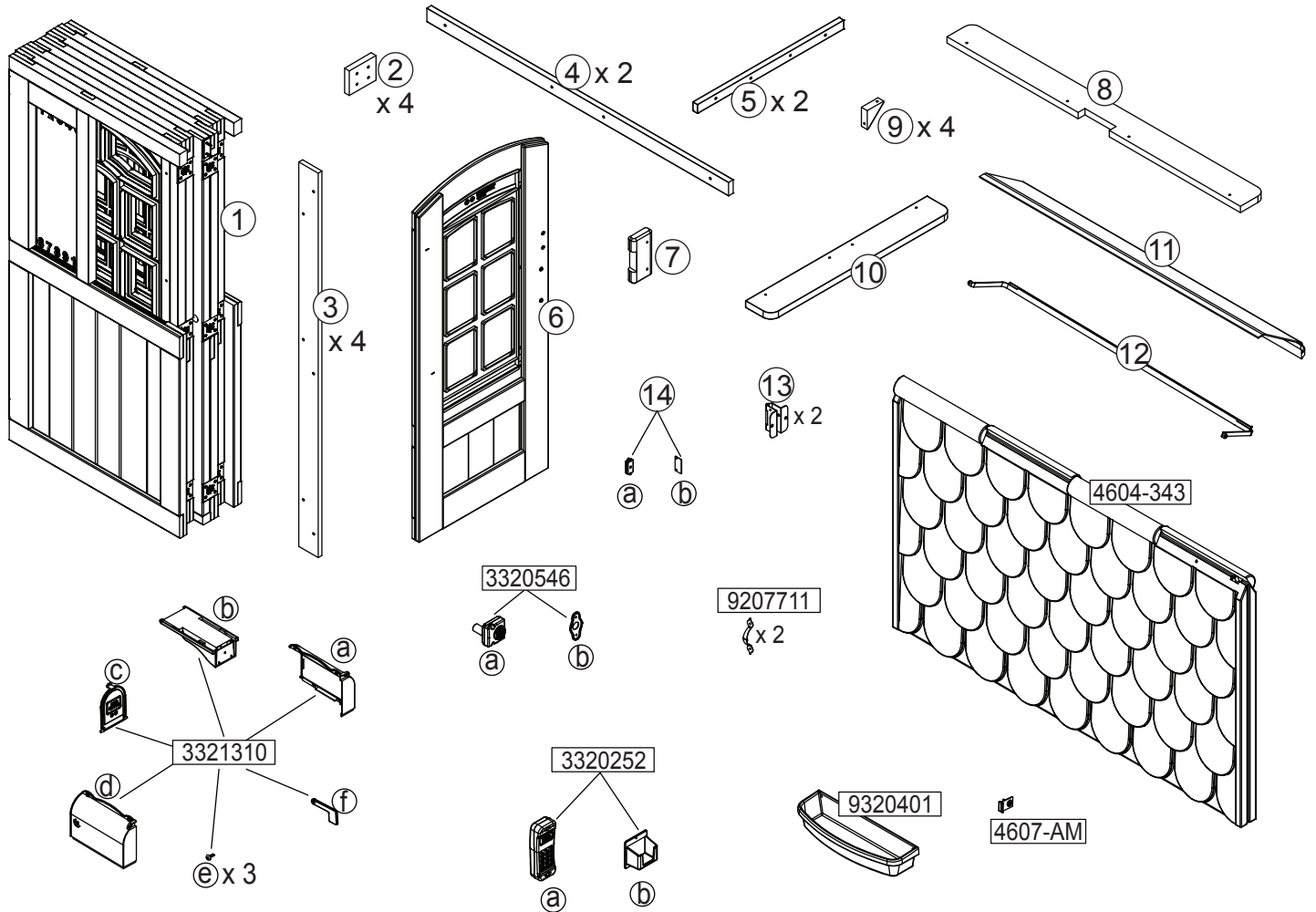
- Измените ориентацию или расположение приемной антенны.
  - Увеличьте расстояние между оборудованием и приемником.
  - Подключите оборудование к розетке сети, отличной от той, к которой подключен приемник.
  - Обратитесь к торговому агенту или опытному специалисту по радиотелевизионному оборудованию.
- Примечание: Несанкционированные со стороны производителя изменения в конструкции или модификации могут лишить пользователя права на эксплуатацию данного оборудования.


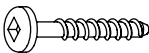
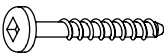
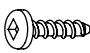
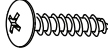

Сохраните следующую информацию в качестве памятки.

- Установка и замена элементов питания должны производиться только под наблюдением взрослых.
- Запрещается заряжать непerezаряжаемые батареи.
- Аккумуляторные батареи следует заряжать только под наблюдением взрослых.
- Необходимо использовать правильный размер и тип элементов питания согласно рекомендациям производителя.
- При установке элементов питания следует соблюдать полярность.
- Отработанные батареи следует извлечь из игрушки и утилизировать надлежащим образом.
- Запрещается вызывать короткое замыкание на клеммах питания.
- Запрещается использовать одновременно новые и использованные батареи, либо батареи разного типа.
- ЗАПРЕЩАЕТСЯ использовать вместе щелочные, стандартные (угольно-цинковые) и аккумуляторные батареи.
- При установке батарей убедитесь, что положительная клемма (+) направлена вверх.
- Для зарядки аккумуляторных батарей их следует предварительно извлечь из игрушки.
- Согласно европейским законодательным нормам, сбор отработанных элементов питания должен производиться раздельным способом для их дальнейшей утилизации и переработки по надлежащей технологии. Данное требование направлено на снижение негативного воздействия на окружающую среду и здоровье человека в результате загрязнения воды и почвы опасными веществами, а также на снижение количества ресурсов, необходимых для изготовления новых продуктов, и на сокращение площади полигонов для отходов.
- Первичные и вторичные элементы питания подлежат утилизации или переработке в соответствии с надлежащими технологиями. Непригодные и отслужившие элементы питания нельзя утилизировать совместно с бытовыми отходами.
- Утилизируя элементы питания отдельно от бытовых отходов, вы вносите вклад в защиту окружающей среды и ограничиваете негативные последствия для здоровья.

Item Number  
 Número del artículo  
 Description d'un article  
 Artikelnummern  
 Artikelnummers  
 Артикул изделия

00405



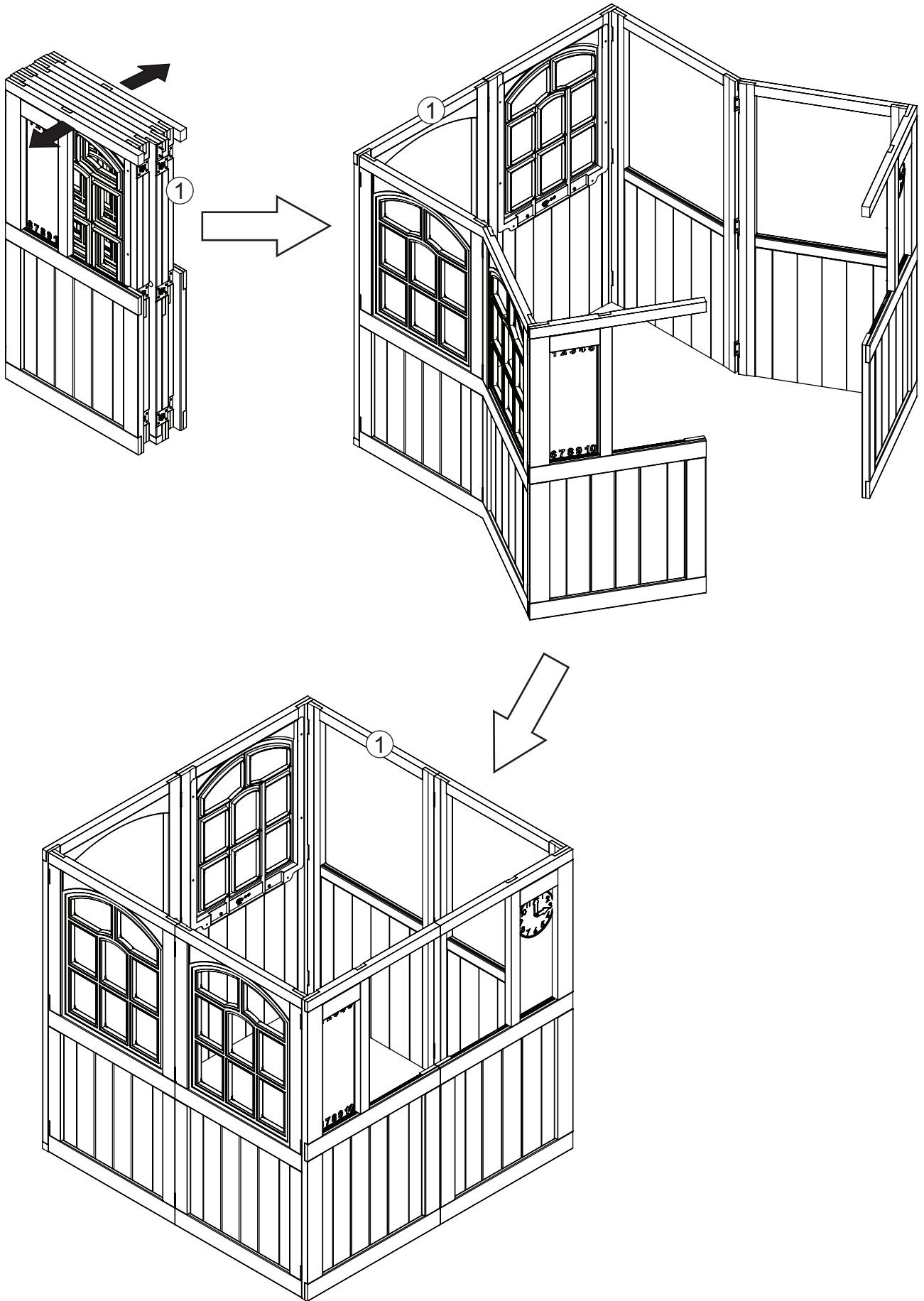
A	x 20	B	x 56	C	x 6	D	x 50	E	x 4	F	x 1
											
27 mm		32 mm		42 mm		17 mm		20 mm			

Parts and Hardware  
 Partes y Piezas Para Instalación  
 Pièces et matériel  
 Teile und Befestigungsmaterial  
 Onderdelen en Schroeven en Gereedschap  
 Комплекующие и крепежные элементы

All hardware dimensions are approximate.  
 Todas las dimensiones se las herramientas  
 son aproximaciones.  
 Toutes les dimensions du matériel  
 sont approximatives.  
 Размеры крепежных элементов округлены.

Step  
Paso  
Étape  
Schritt  
Stap  
Шаг

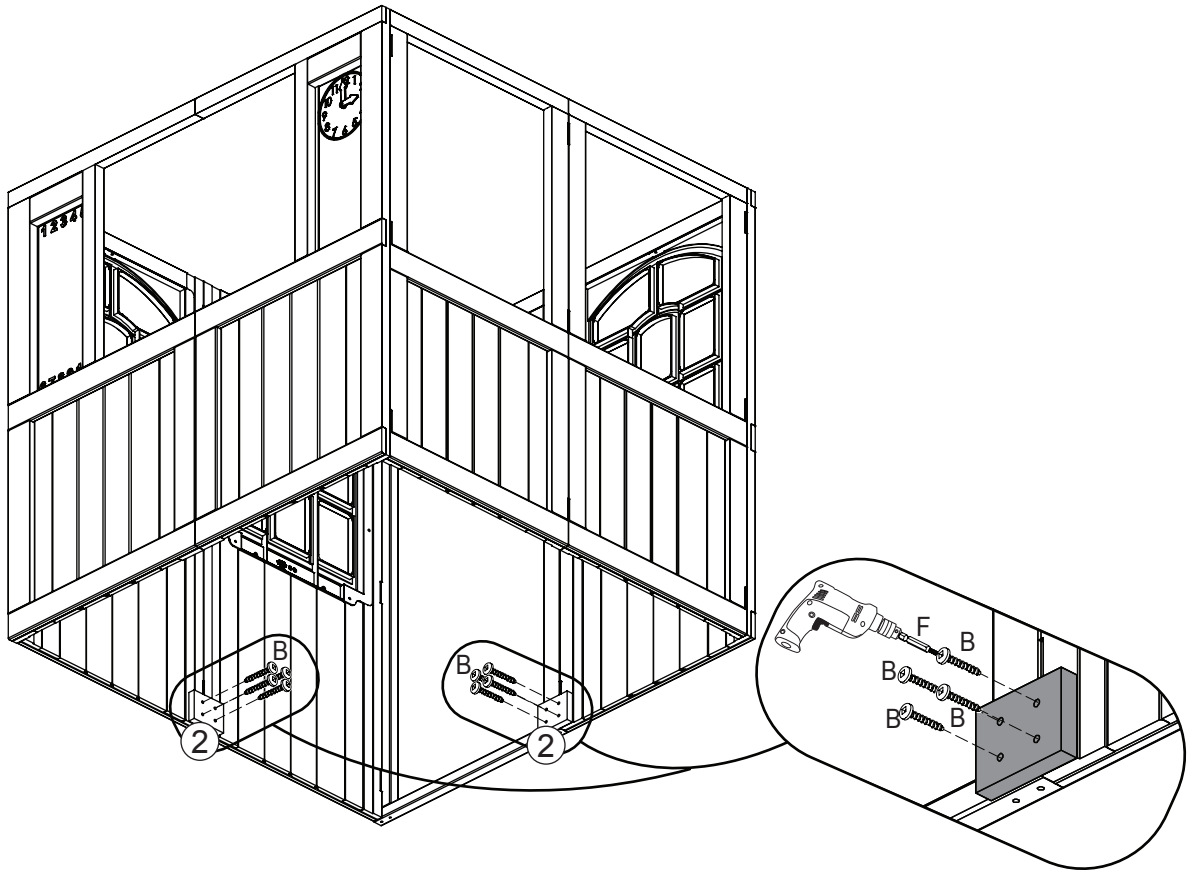
1



**KidKraft®**

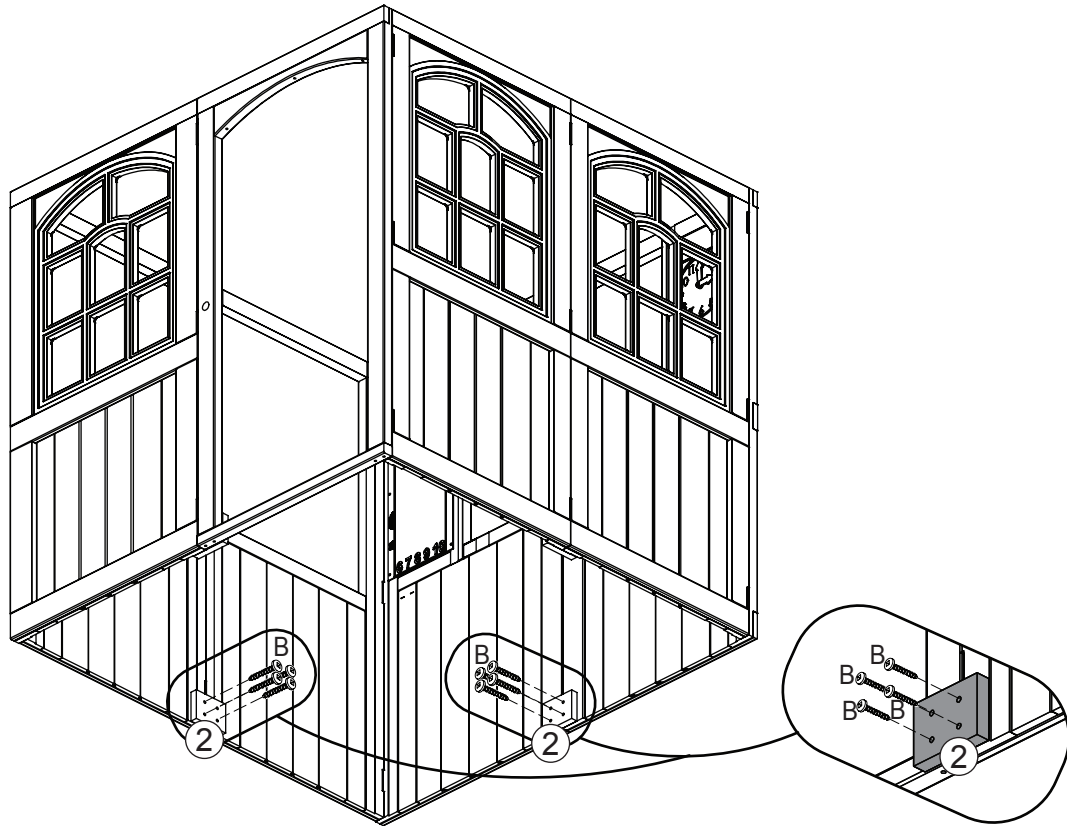
Step  
Paso  
Étape  
Schritt  
Stap  
Шаг

2



Step  
Paso  
Étape  
Schritt  
Stap  
Шаг

3

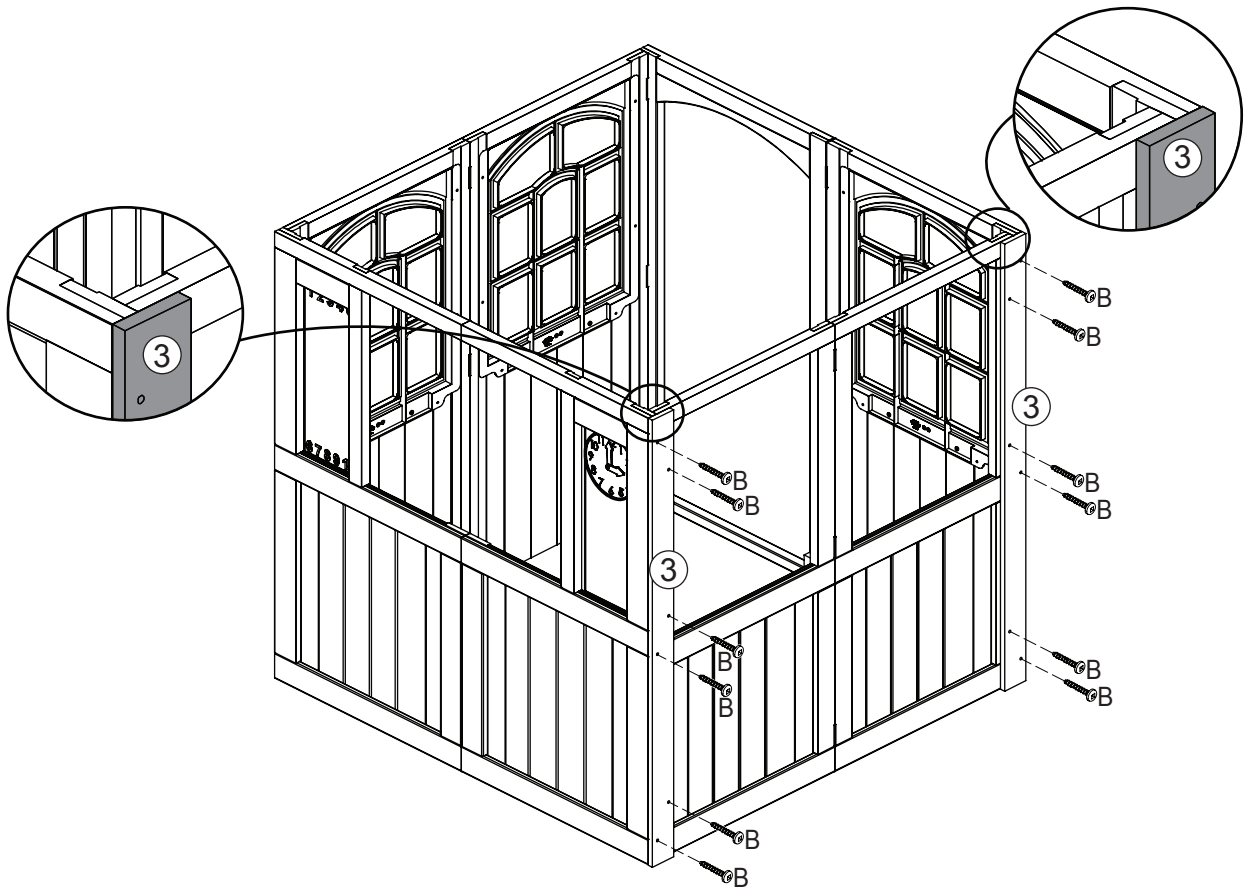


KidKraft®



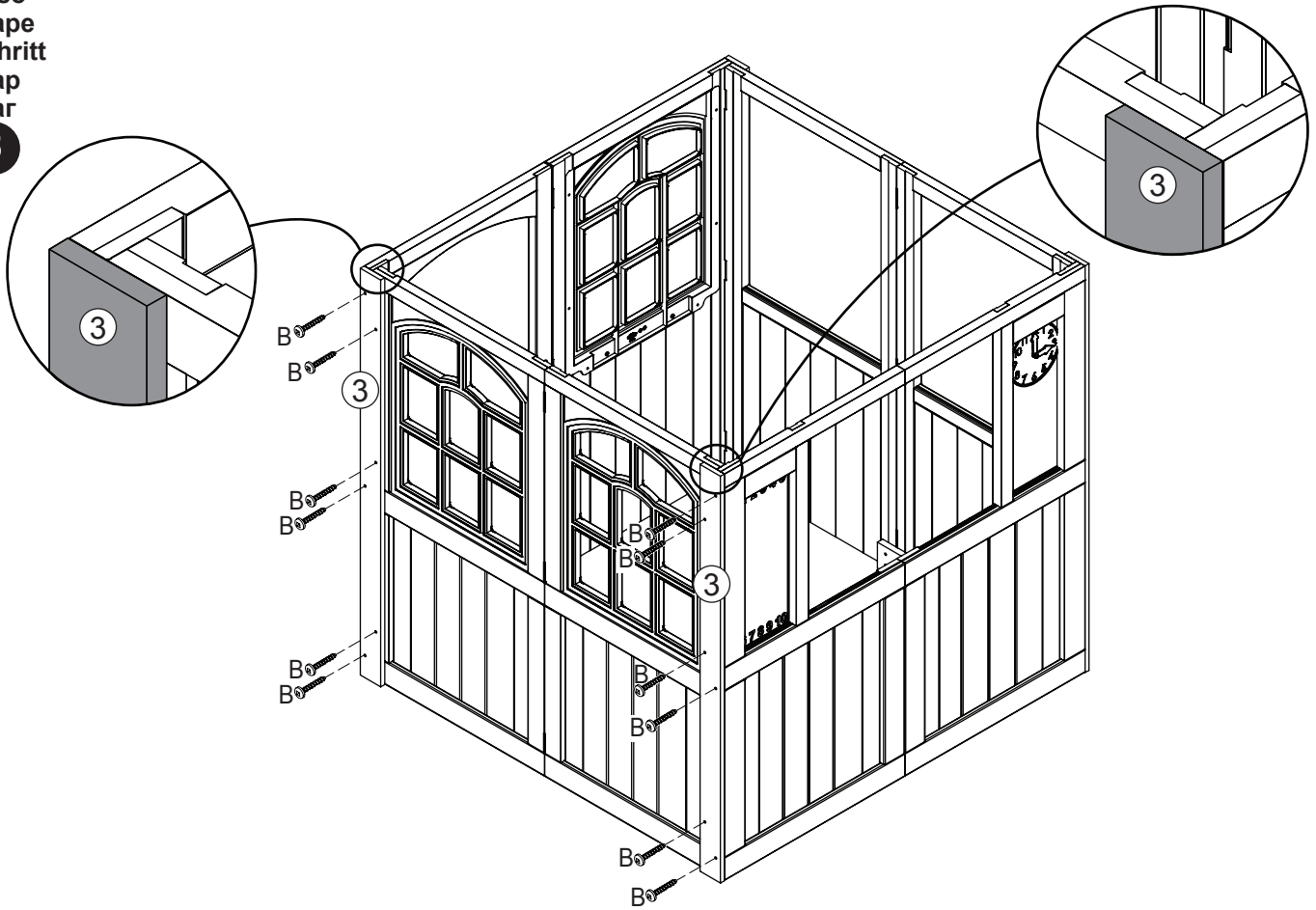
Step  
Paso  
Étape  
Schritt  
Stap  
Шаг

4



Step  
Paso  
Étape  
Schritt  
Stap  
Шаг

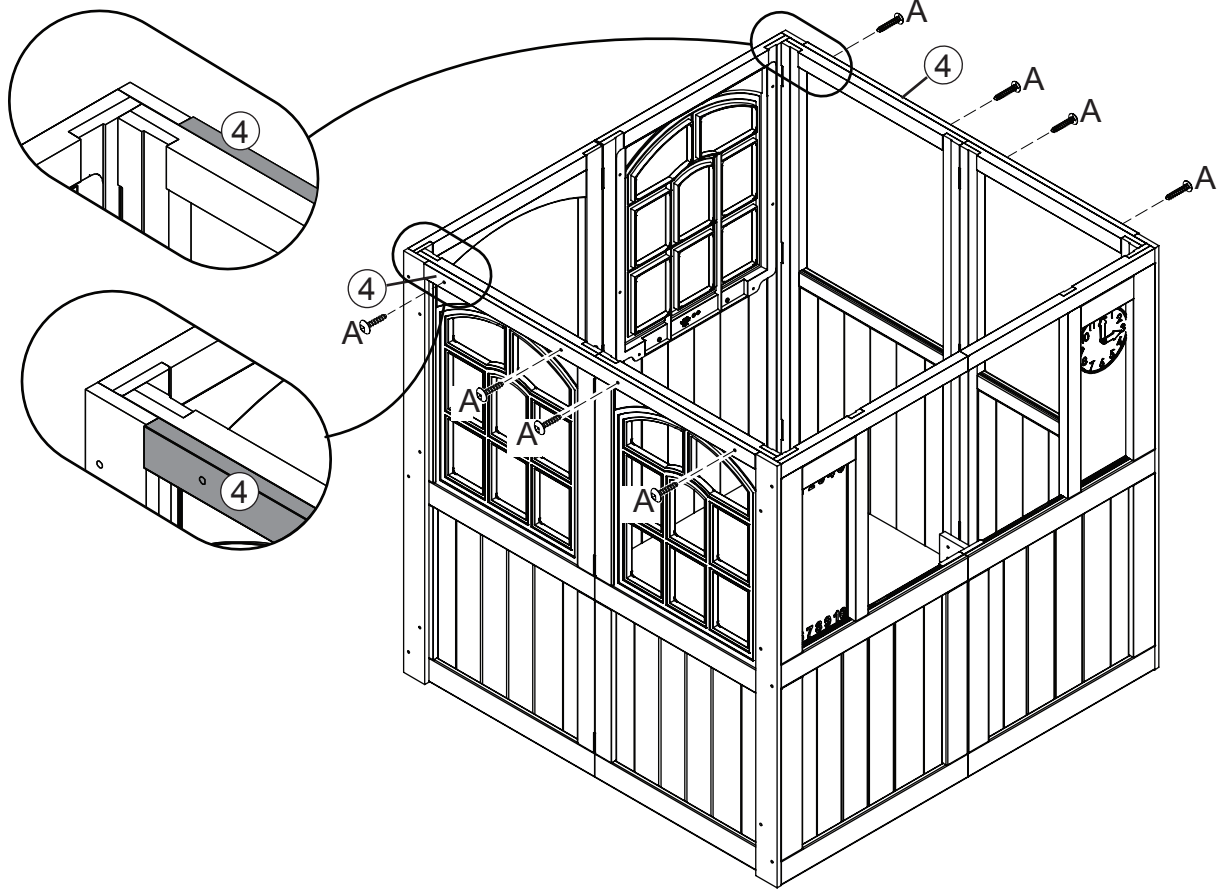
5



KidKraft®

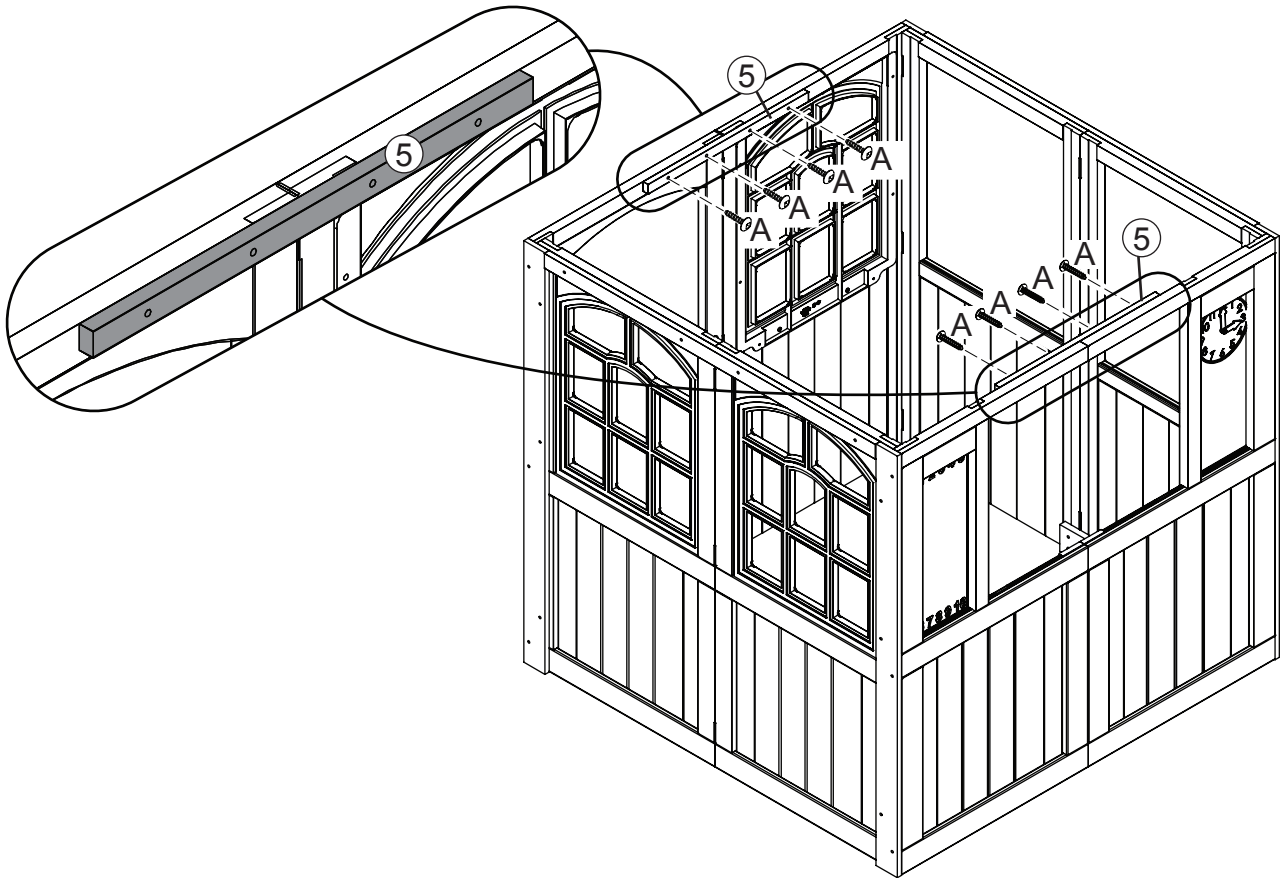
Step  
Paso  
Étape  
Schritt  
Stap  
Шаг

6



Step  
Paso  
Étape  
Schritt  
Stap  
Шаг

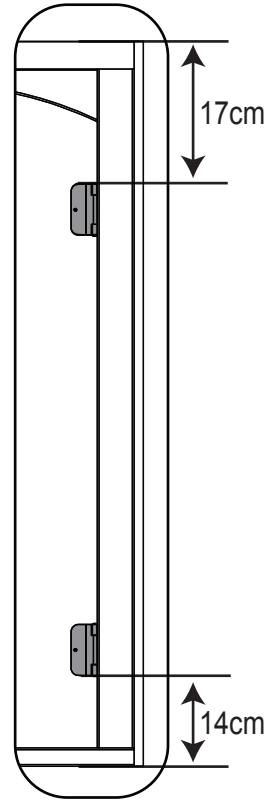
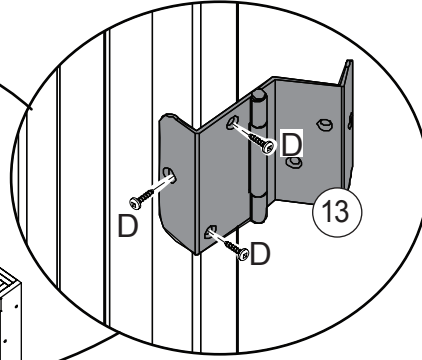
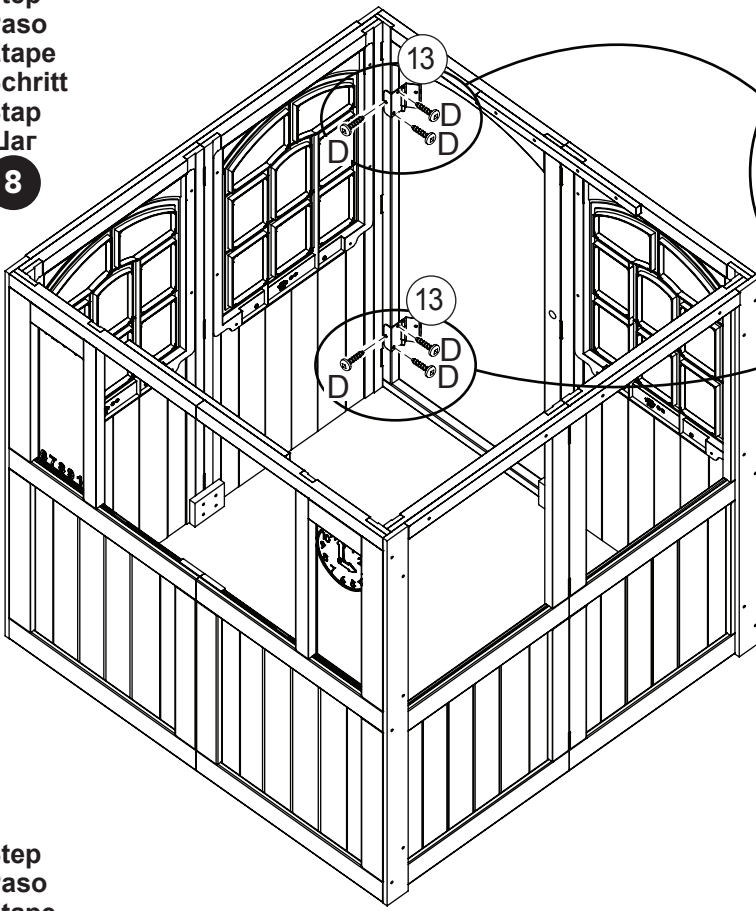
7



KidKraft®

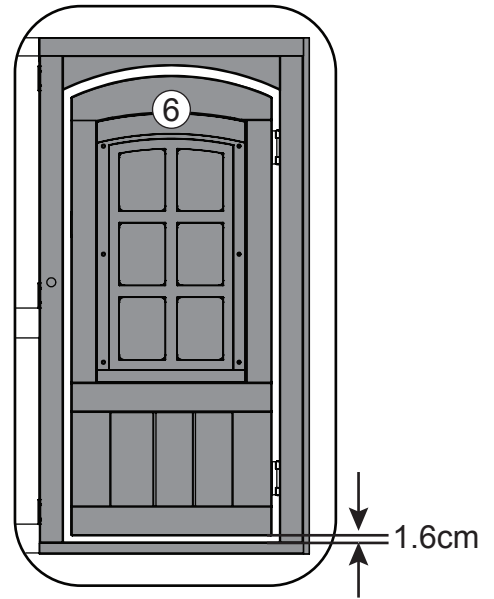
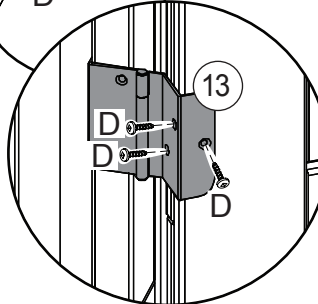
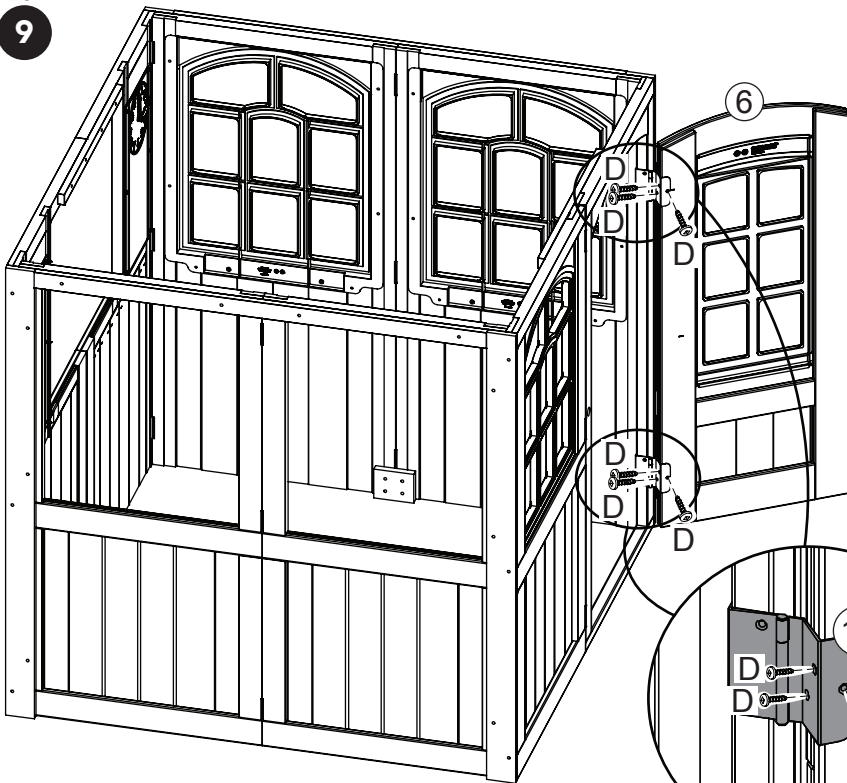
Step  
Paso  
Étape  
Schritt  
Stap  
Шаг

8



Step  
Paso  
Étape  
Schritt  
Stap  
Шаг

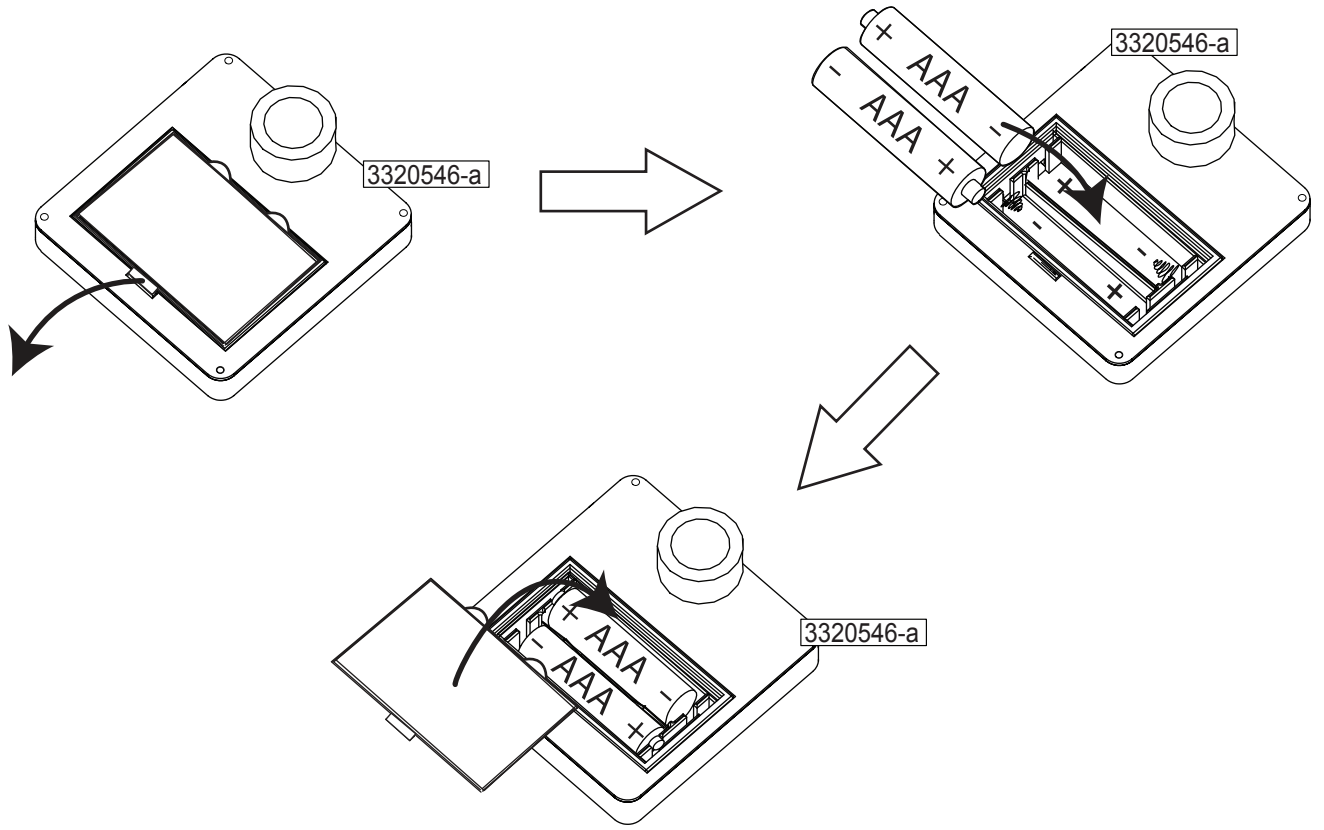
9



KidKraft®

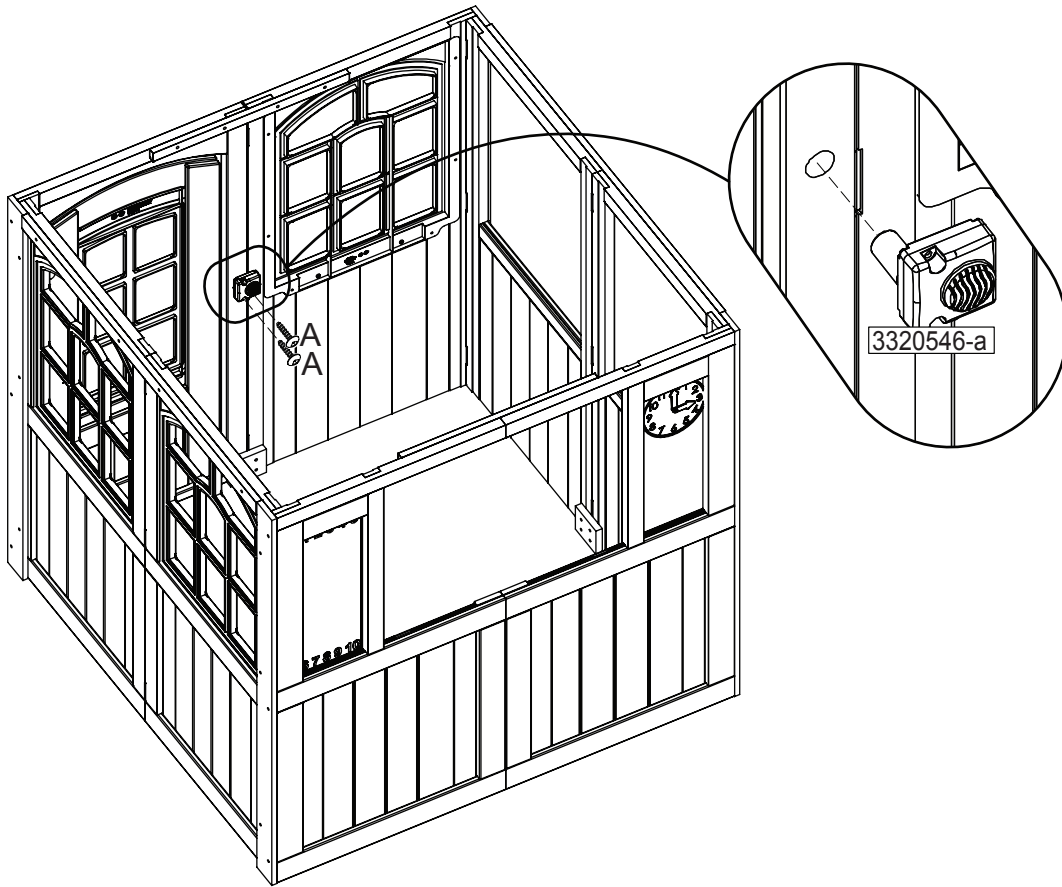
Step  
Paso  
Étape  
Schritt  
Step  
Шаг

10



Step  
Paso  
Étape  
Schritt  
Step  
Шаг

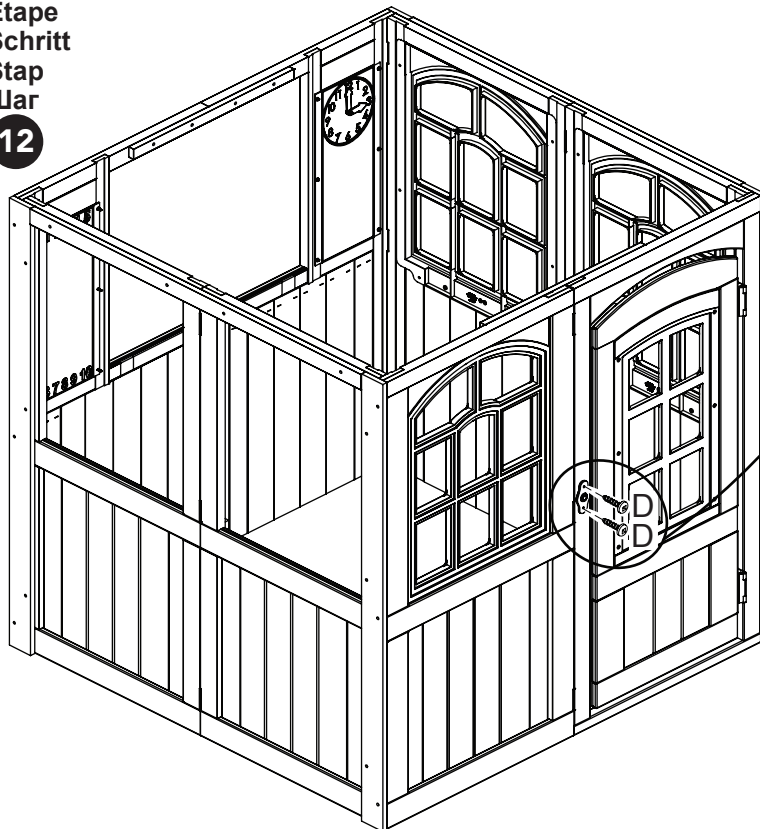
11



KidKraft®

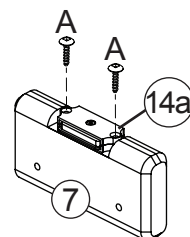
Step  
Paso  
Étape  
Schritt  
Stap  
Шаг

12



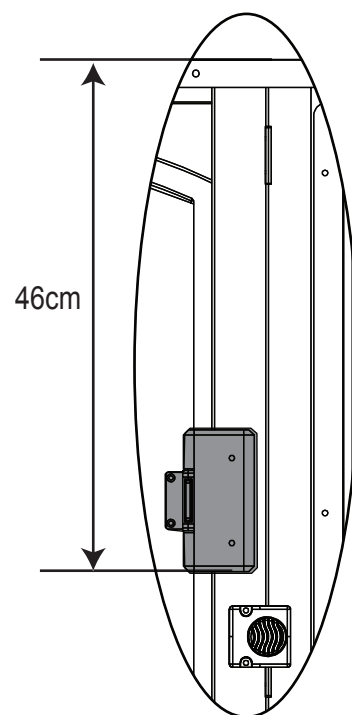
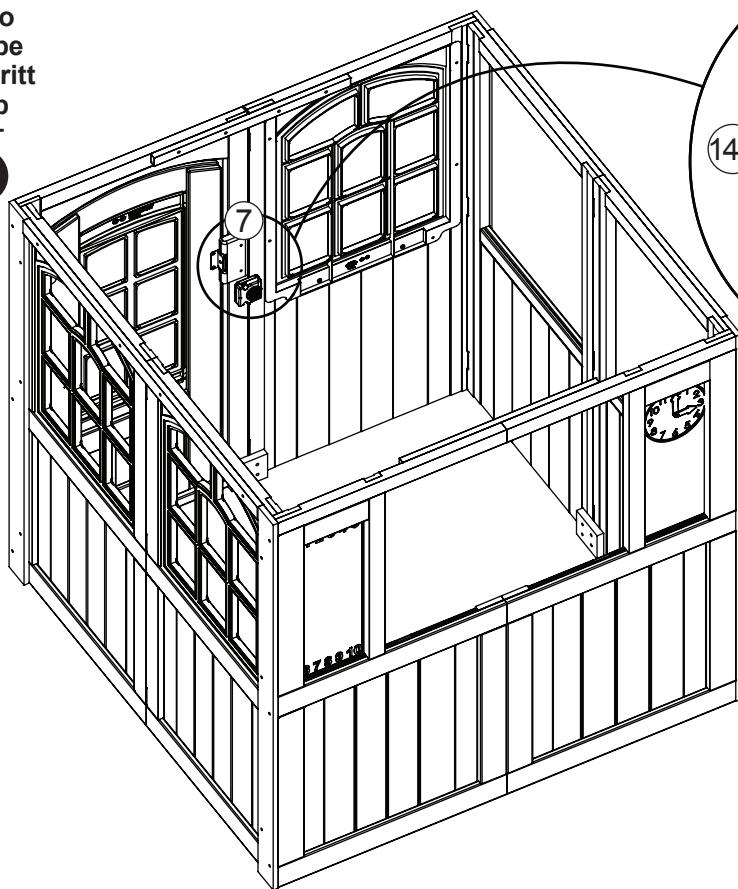
Step  
Paso  
Étape  
Schritt  
Stap  
Шаг

13



Step  
Paso  
Étape  
Schritt  
Stap  
Шаг

14

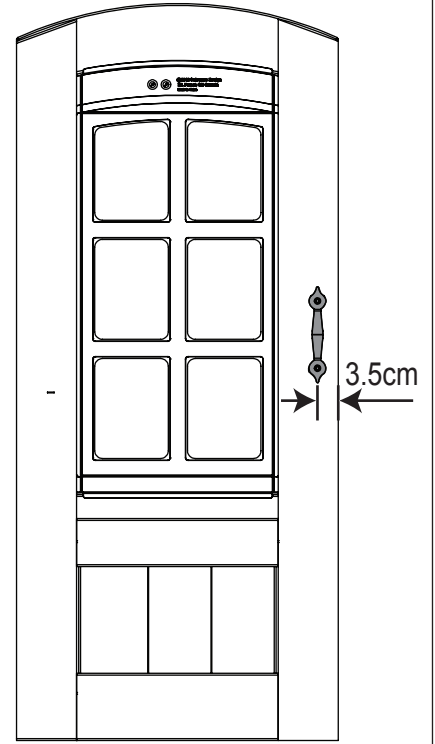
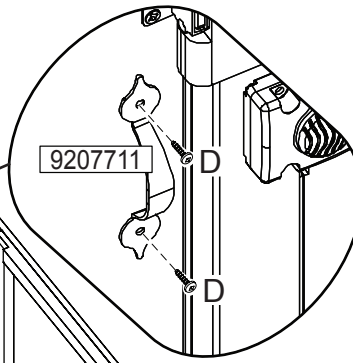
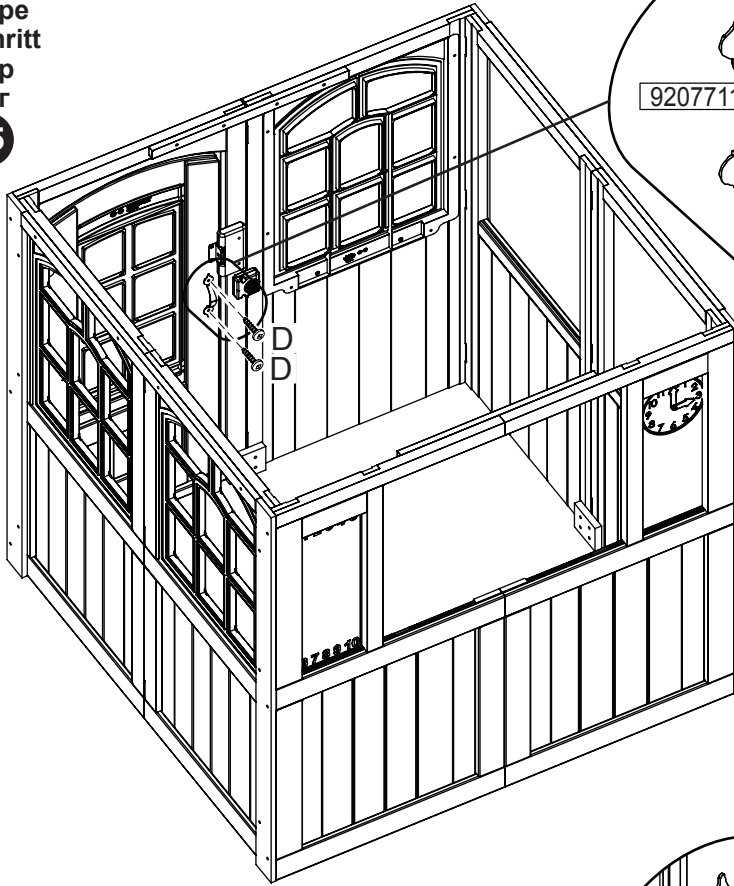


KidKraft®



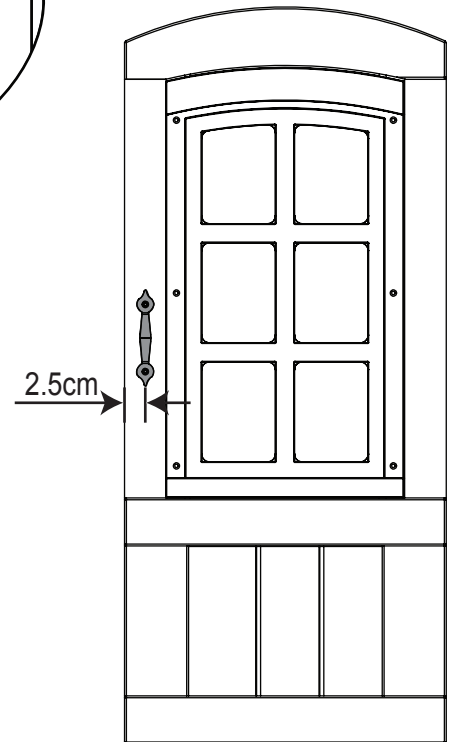
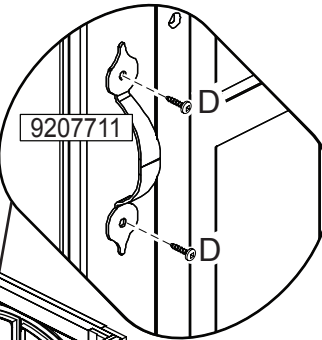
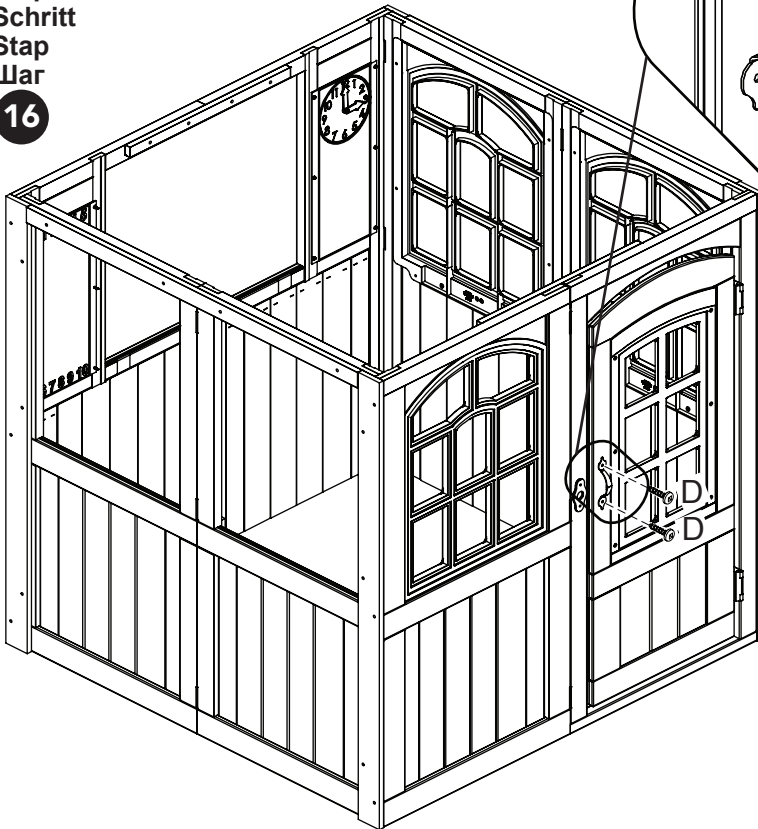
Step  
Paso  
Étape  
Schritt  
Stap  
Шаг

15



Step  
Paso  
Étape  
Schritt  
Stap  
Шаг

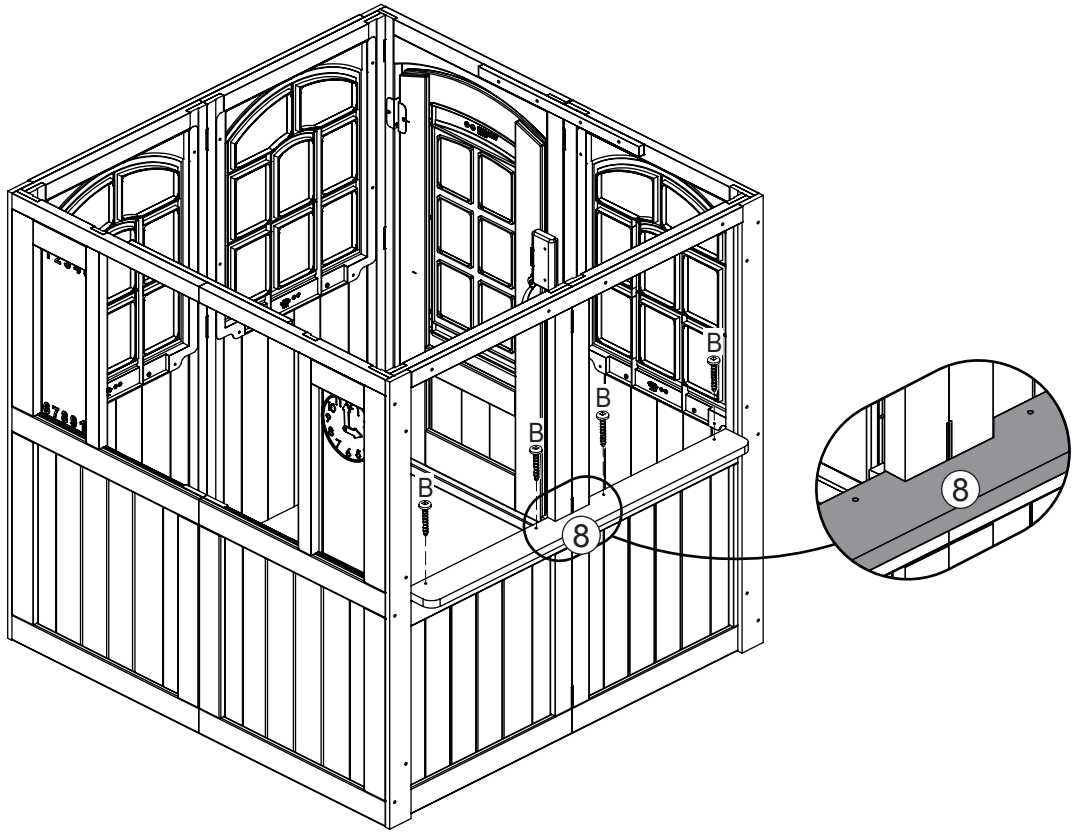
16



KidKraft®

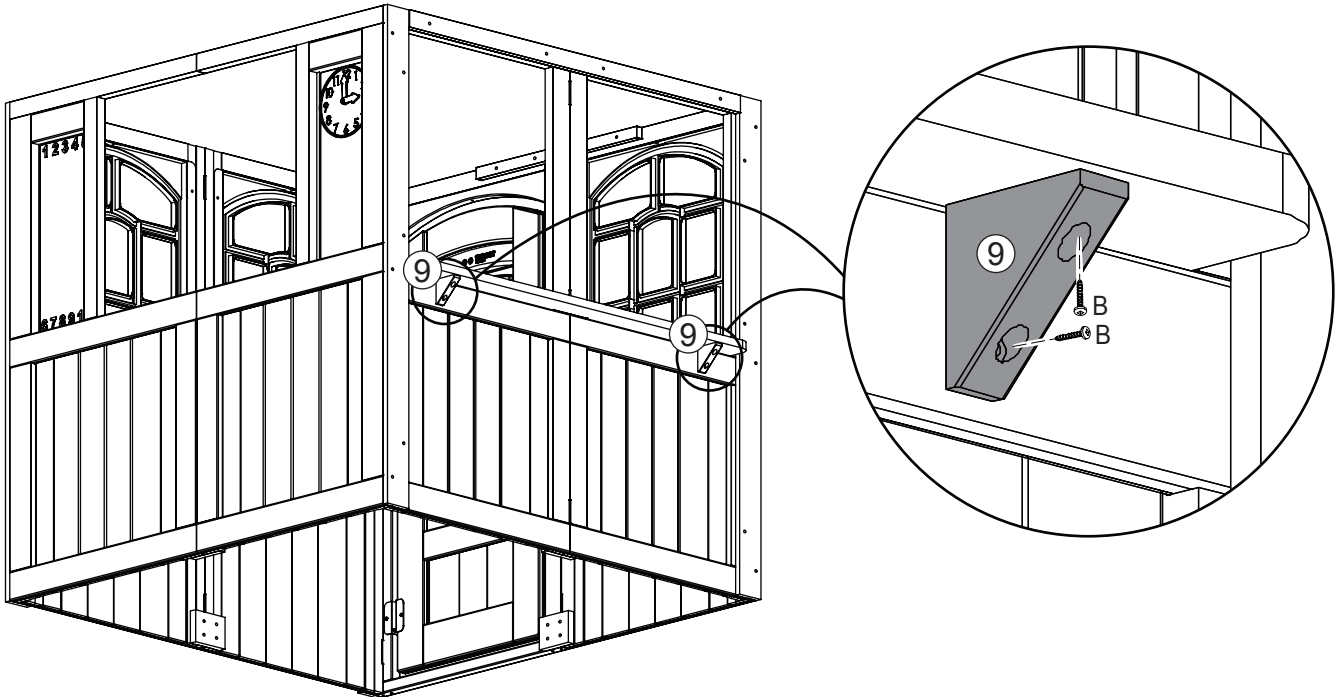
Step  
Paso  
Étape  
Schritt  
Stap  
Шаг

17



Step  
Paso  
Étape  
Schritt  
Stap  
Шаг

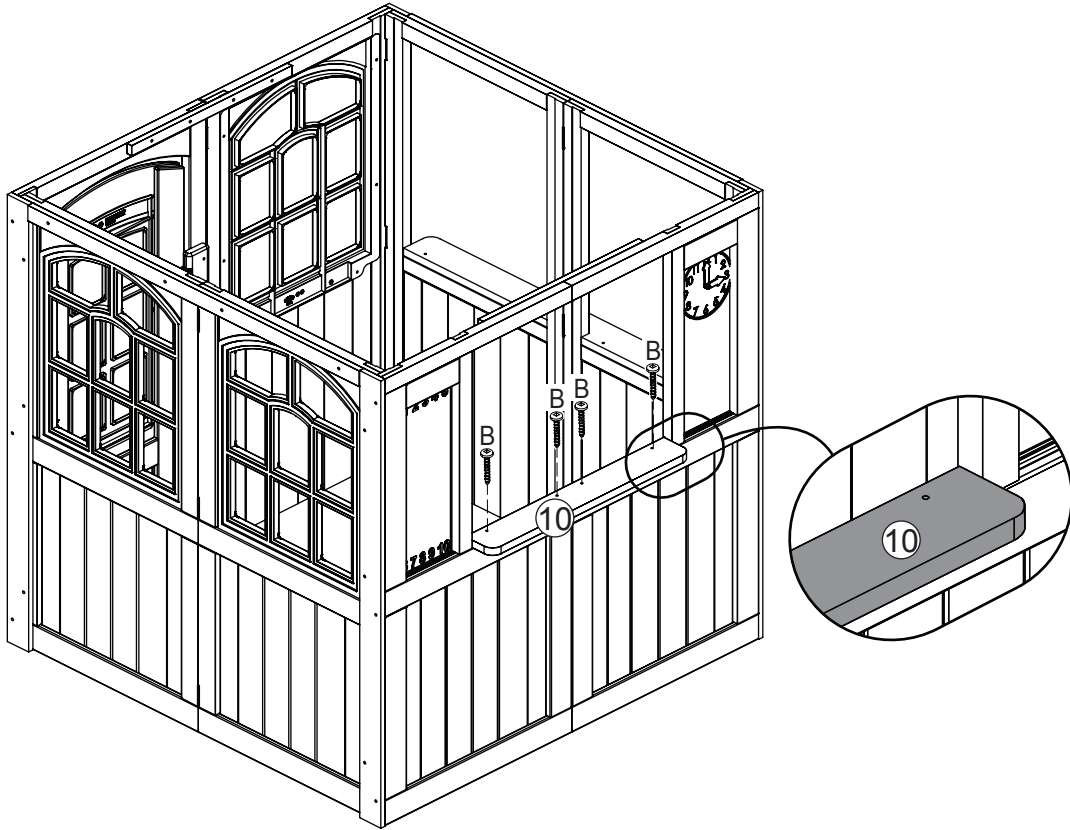
18



KidKraft®

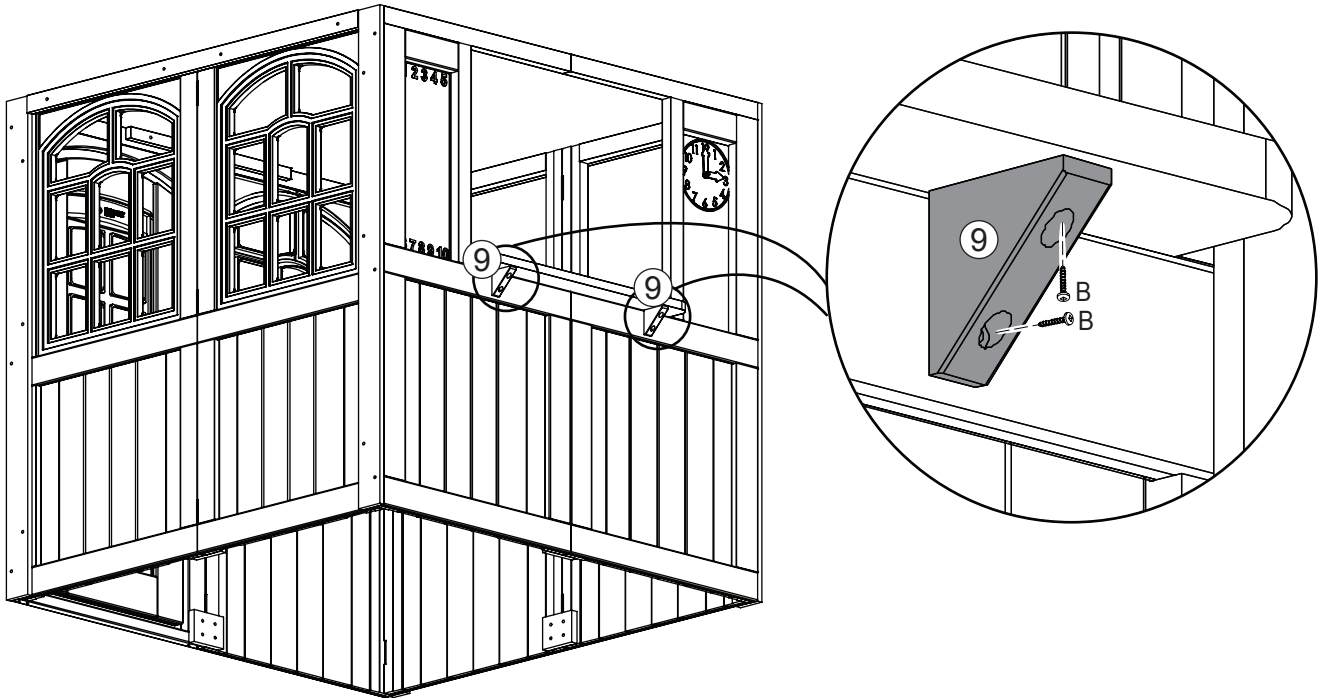
Step  
Paso  
Étape  
Schritt  
Stap  
Шаг

19



Step  
Paso  
Étape  
Schritt  
Stap  
Шаг

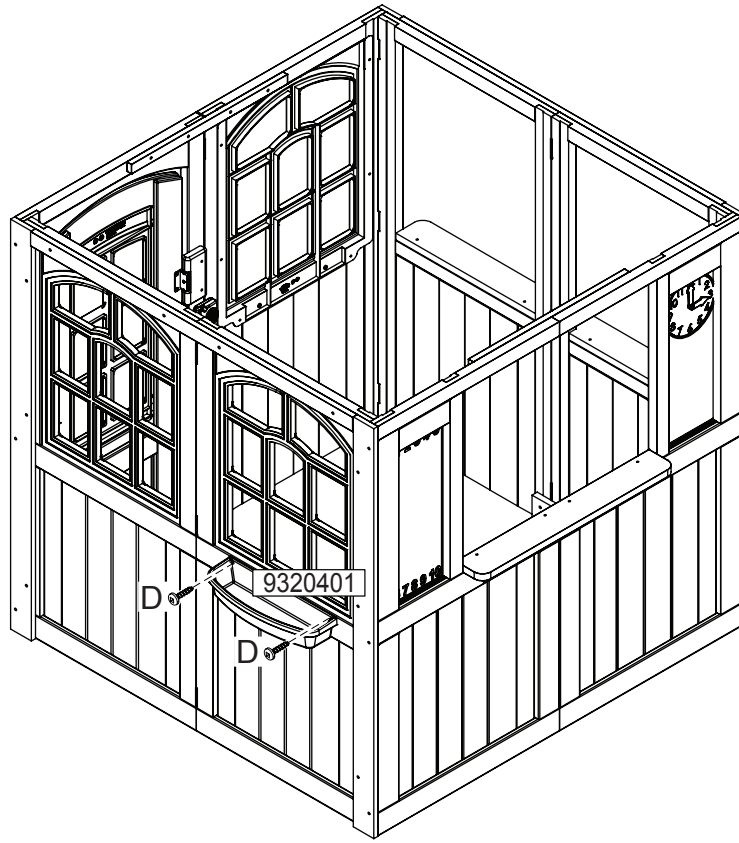
20



KidKraft®

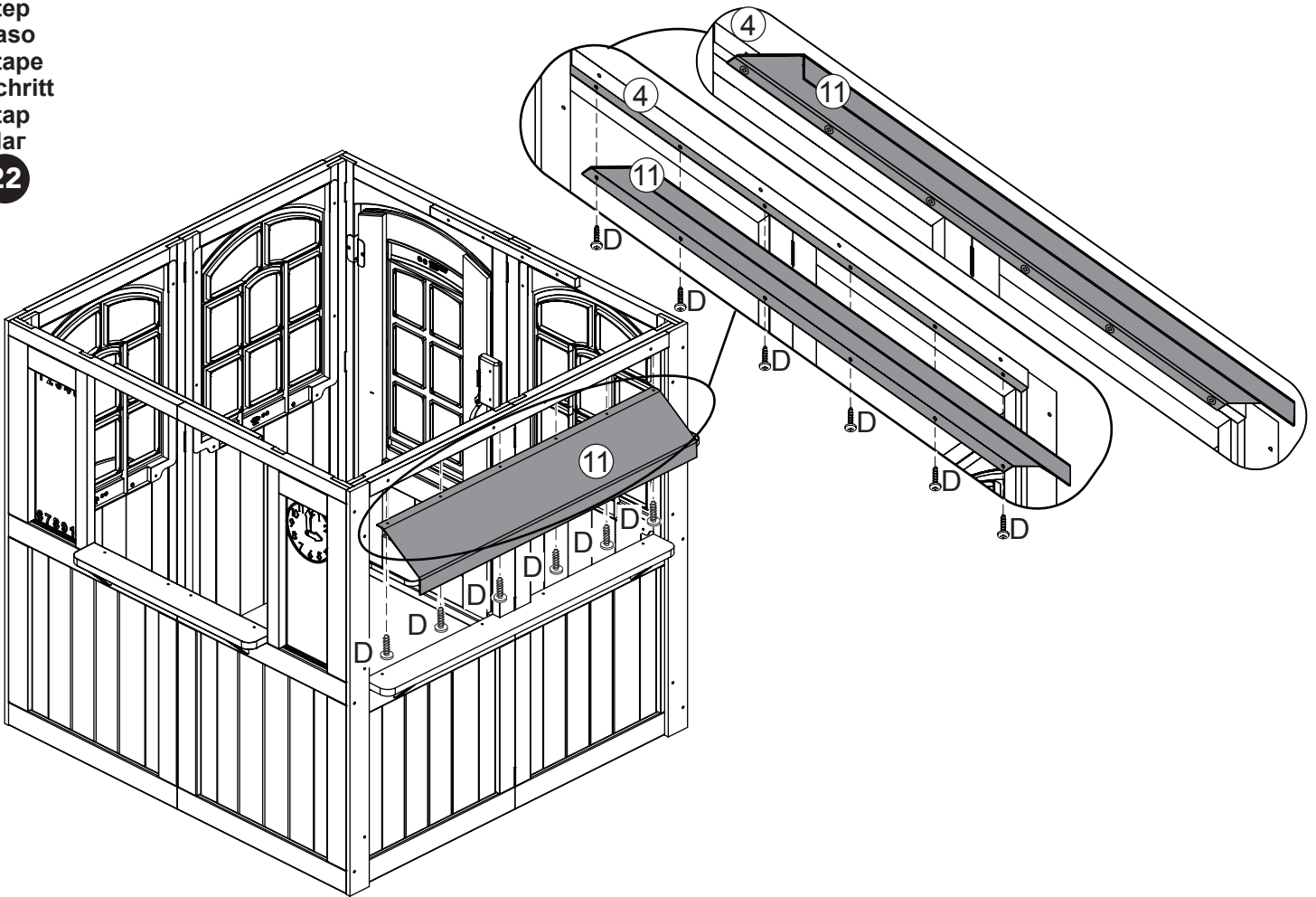
Step  
Paso  
Étape  
Schritt  
Stap  
Шаг

21



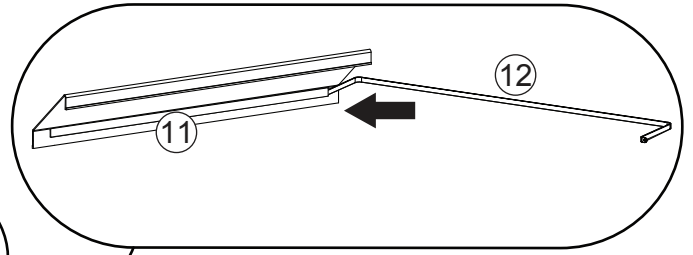
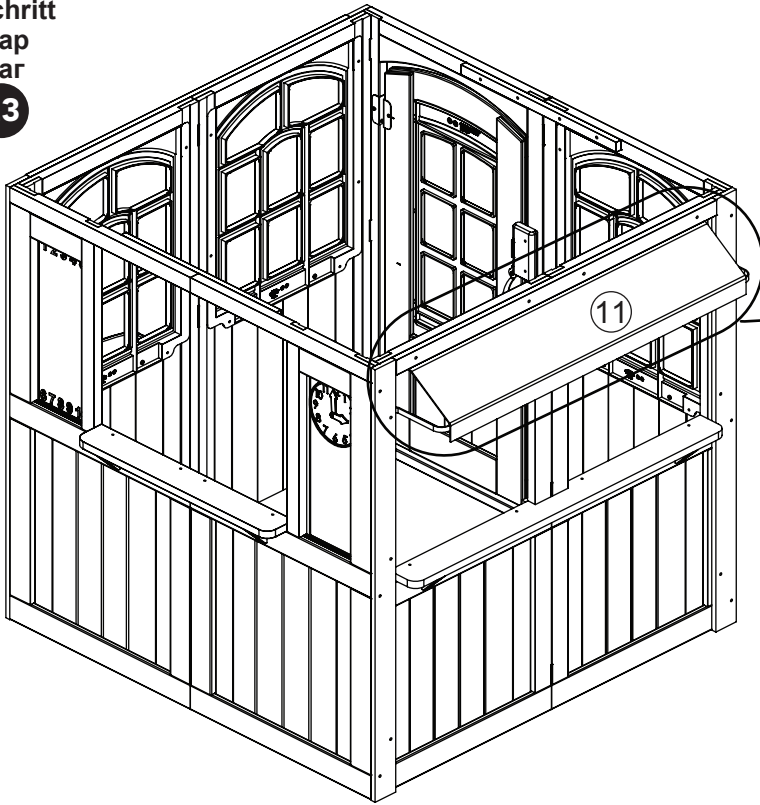
Step  
Paso  
Étape  
Schritt  
Stap  
Шаг

22

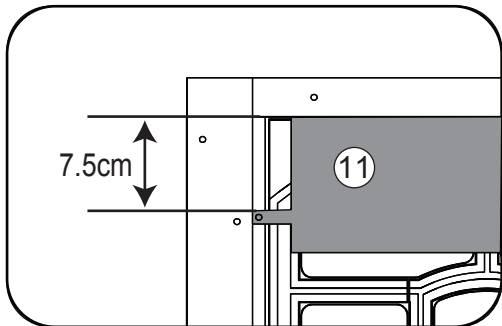
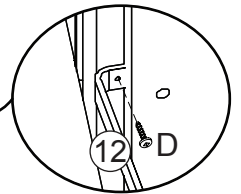
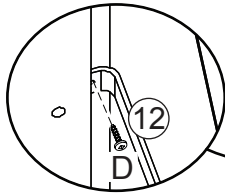
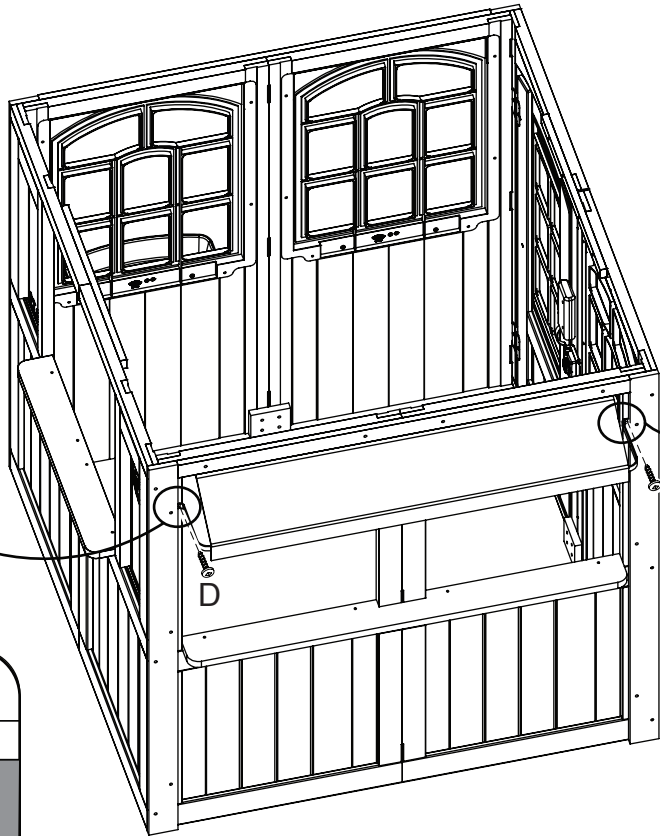


KidKraft®

Step  
Paso  
Étape  
Schritt  
Stap  
Шаг  
23



Step  
Paso  
Étape  
Schritt  
Stap  
Шаг  
24

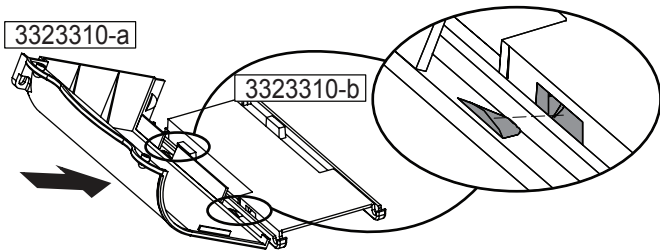


**KidKraft®**



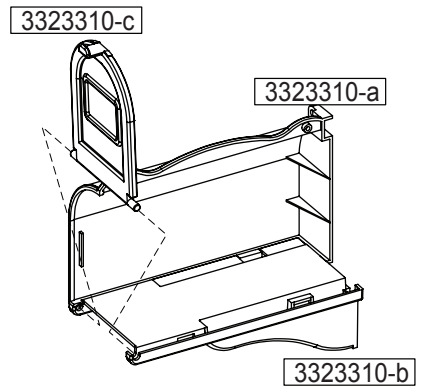
Step  
Paso  
Étape  
Schritt  
Stap  
Шаг

25



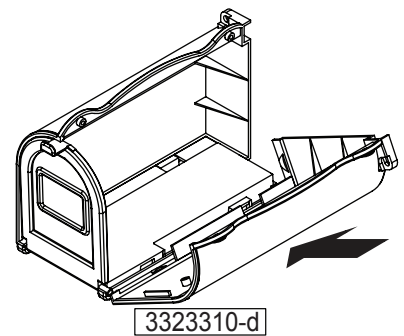
Step  
Paso  
Étape  
Schritt  
Stap  
Шаг

26



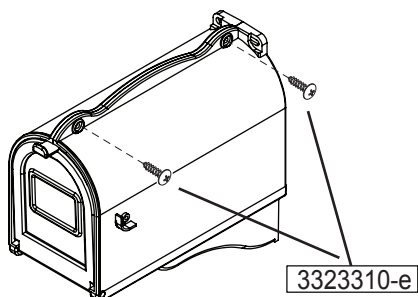
Step  
Paso  
Étape  
Schritt  
Stap  
Шаг

27



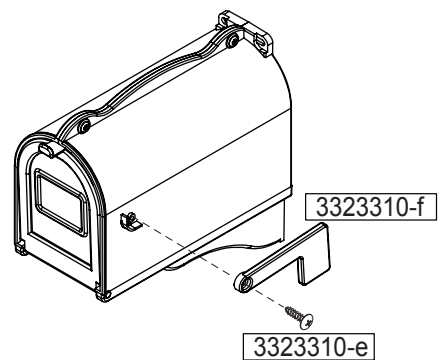
Step  
Paso  
Étape  
Schritt  
Stap  
Шаг

28



Step  
Paso  
Étape  
Schritt  
Stap  
Шаг

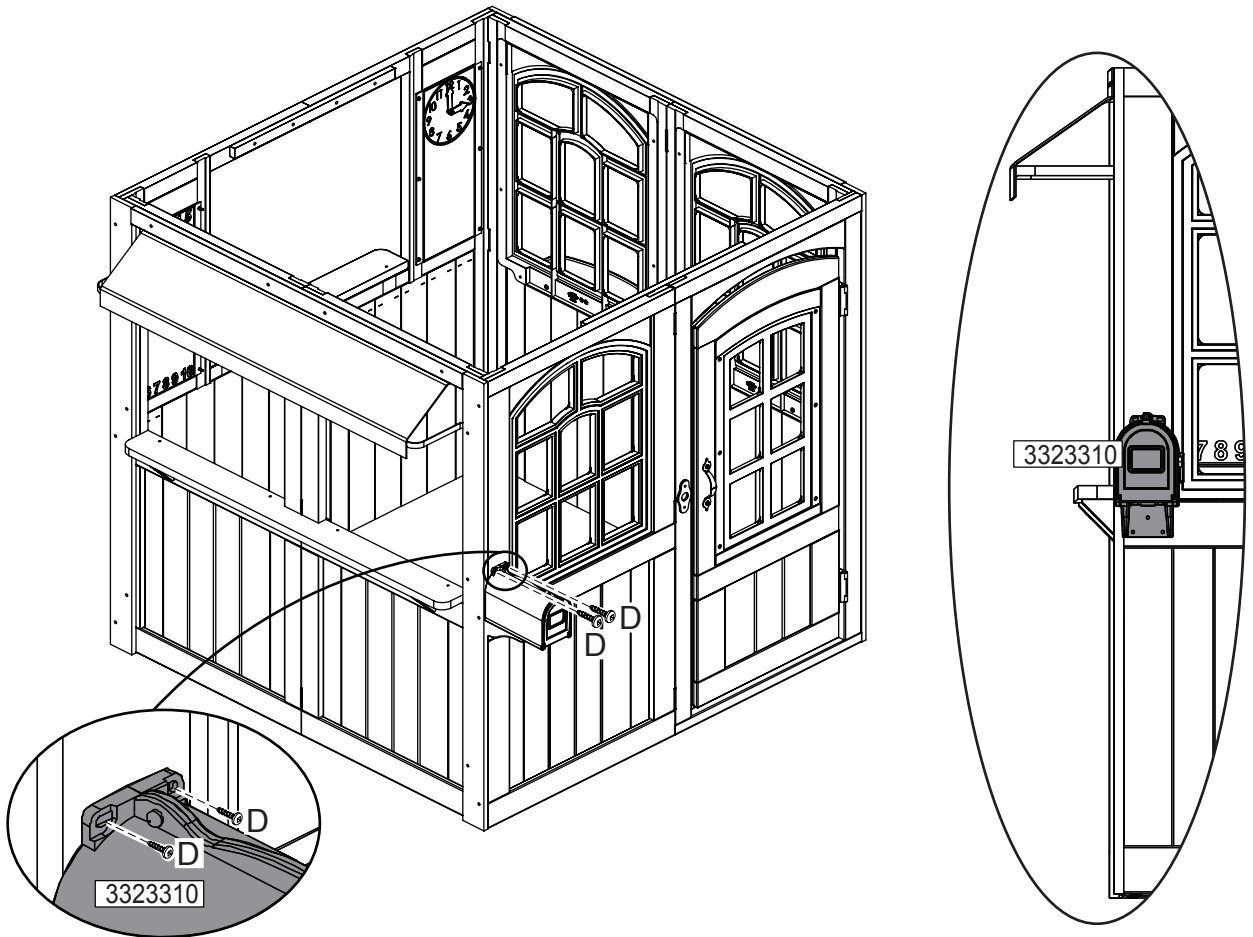
29



KidKraft®

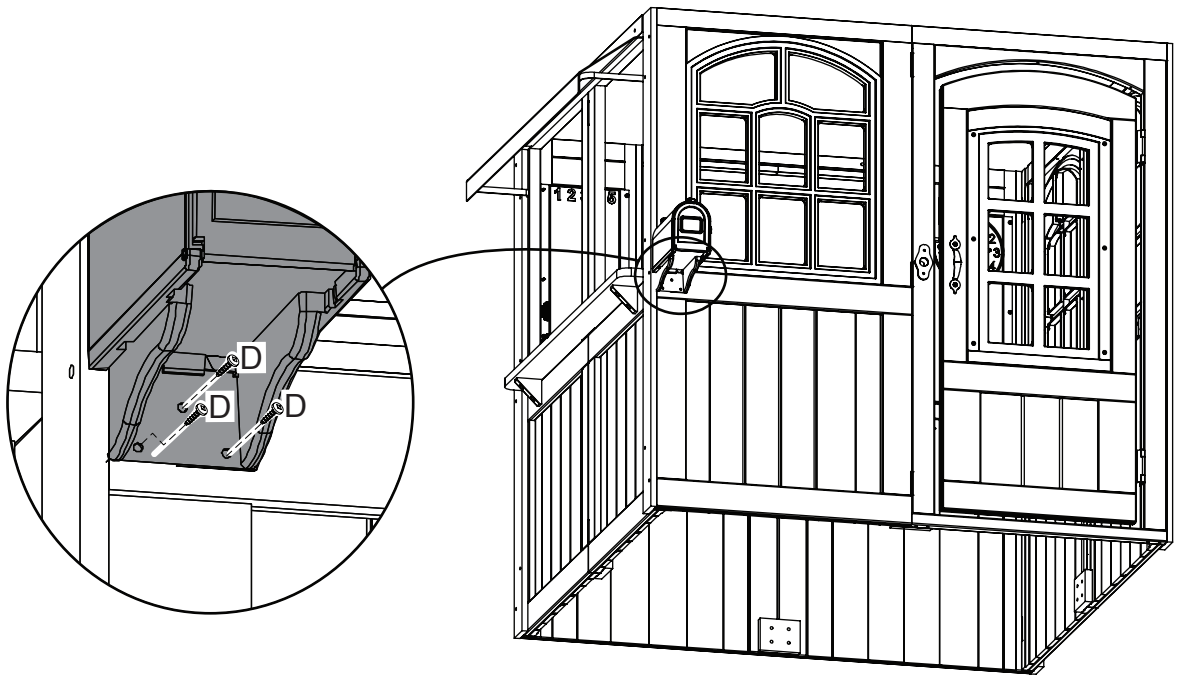
Step  
Paso  
Étape  
Schritt  
Stap  
Шаг

30



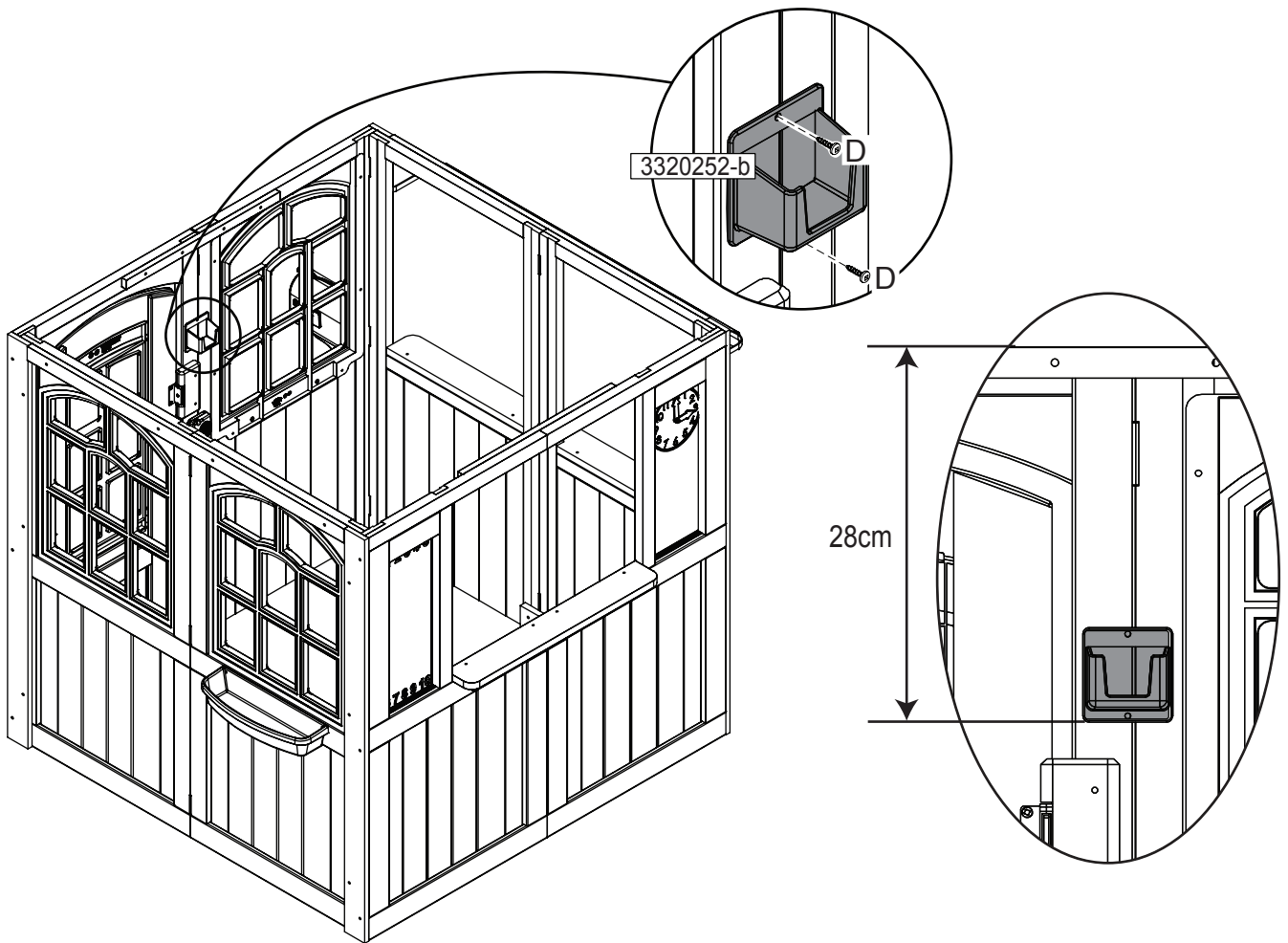
Step  
Paso  
Étape  
Schritt  
Stap  
Шаг

31

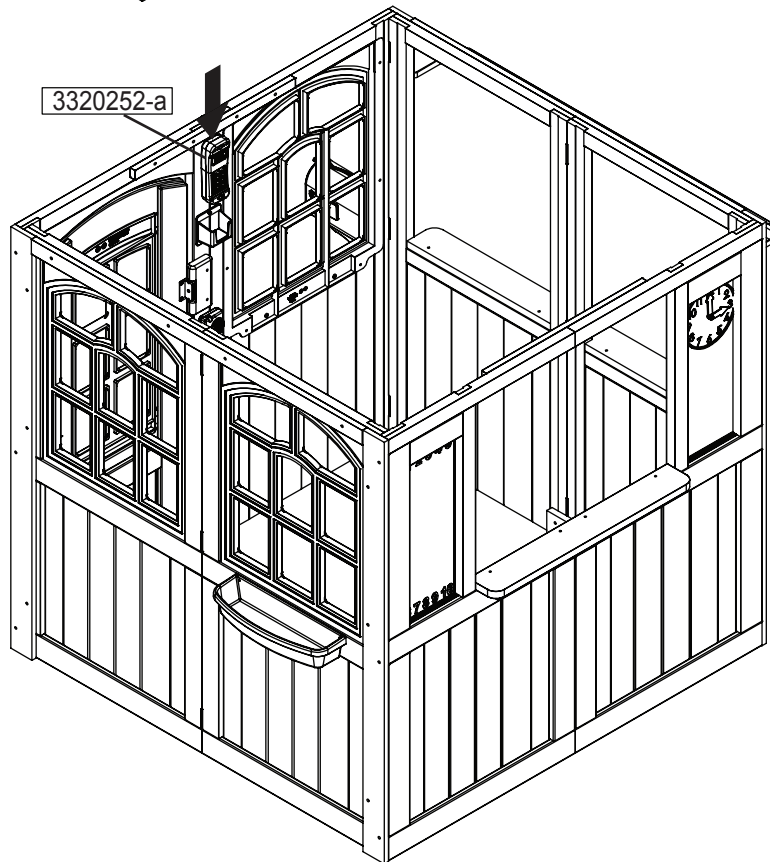


KidKraft®

Step  
Paso  
Étape  
Schritt  
Stap  
Шаг  
32



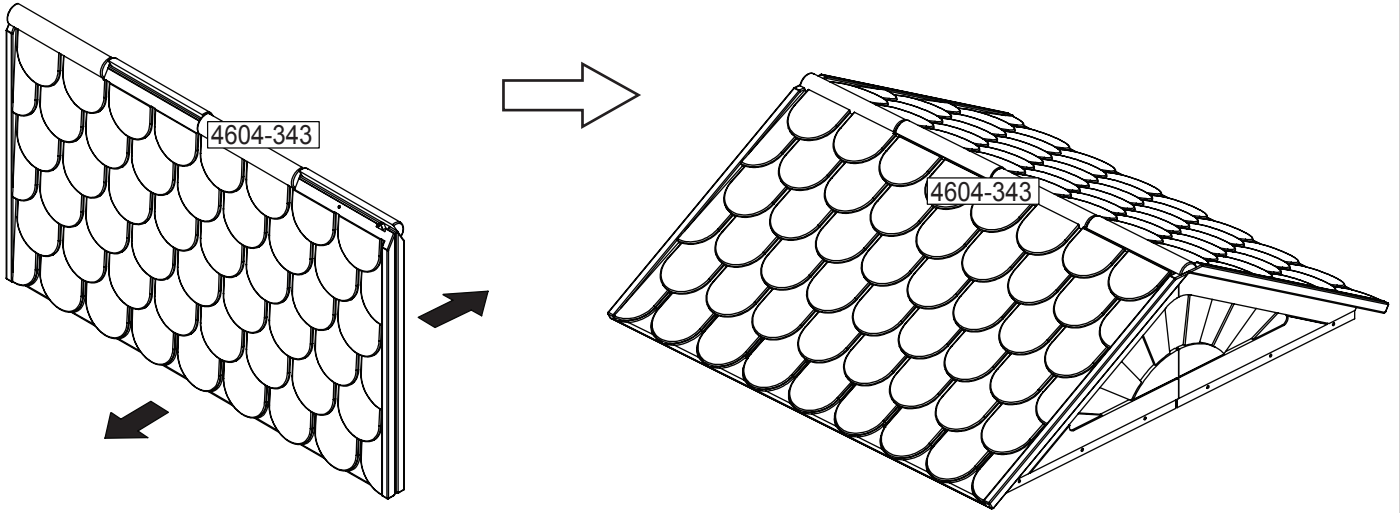
Step  
Paso  
Étape  
Schritt  
Stap  
Шаг  
33



KidKraft®

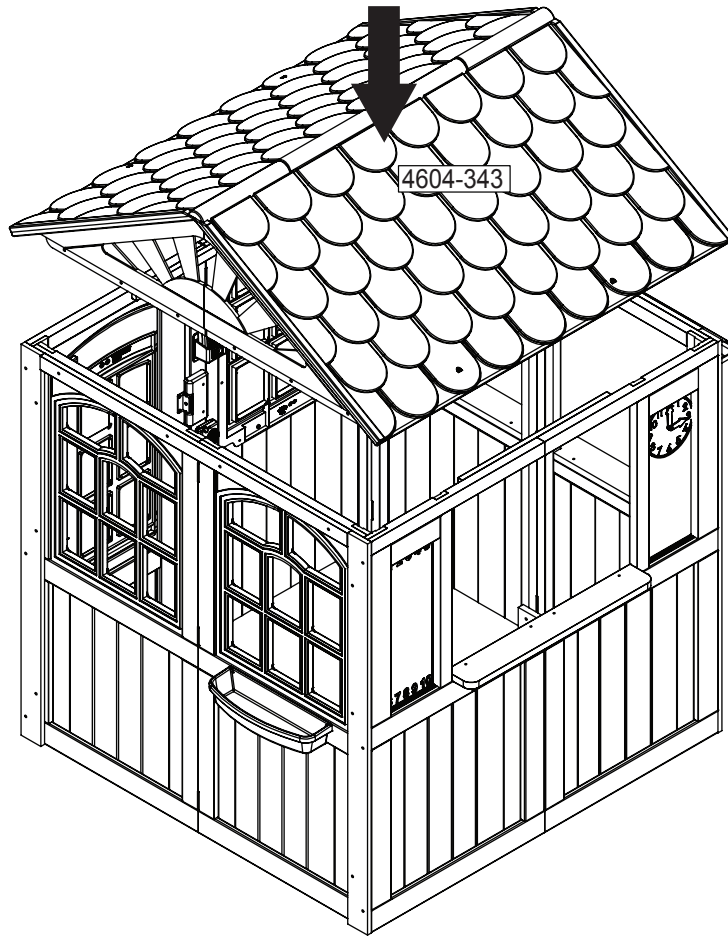
Step  
Paso  
Étape  
Schritt  
Stap  
Шаг

34



Step  
Paso  
Étape  
Schritt  
Stap  
Шаг

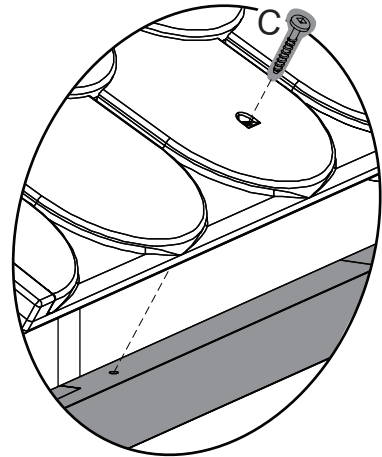
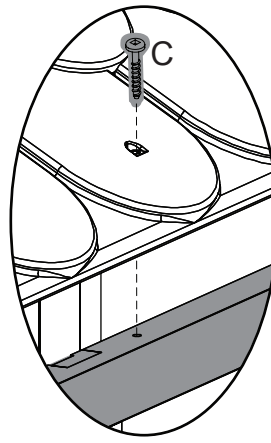
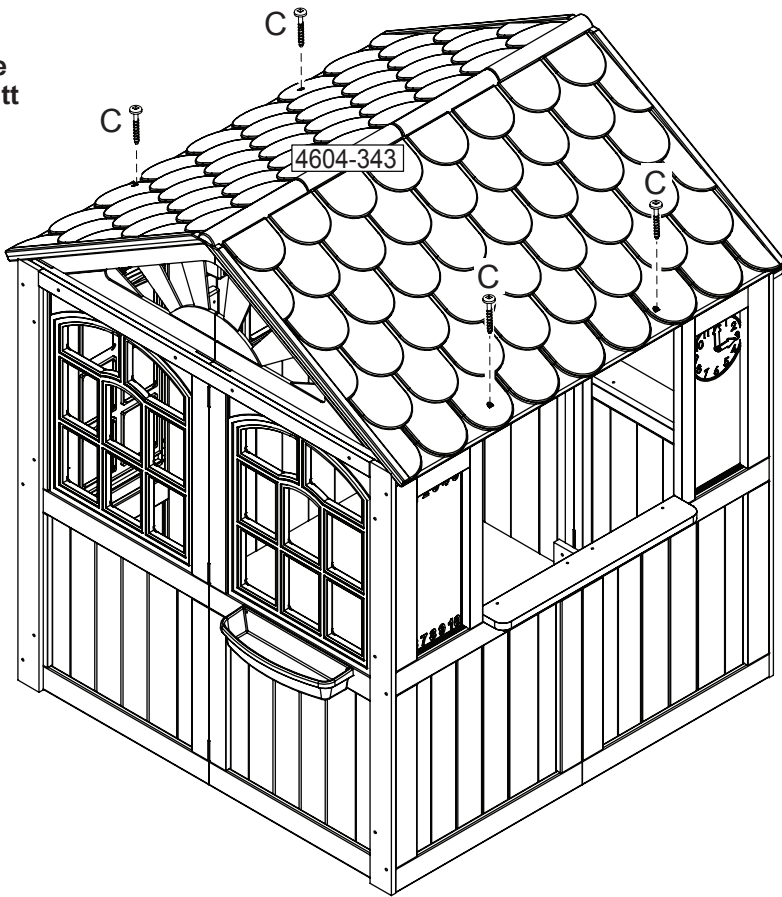
35



KidKraft®

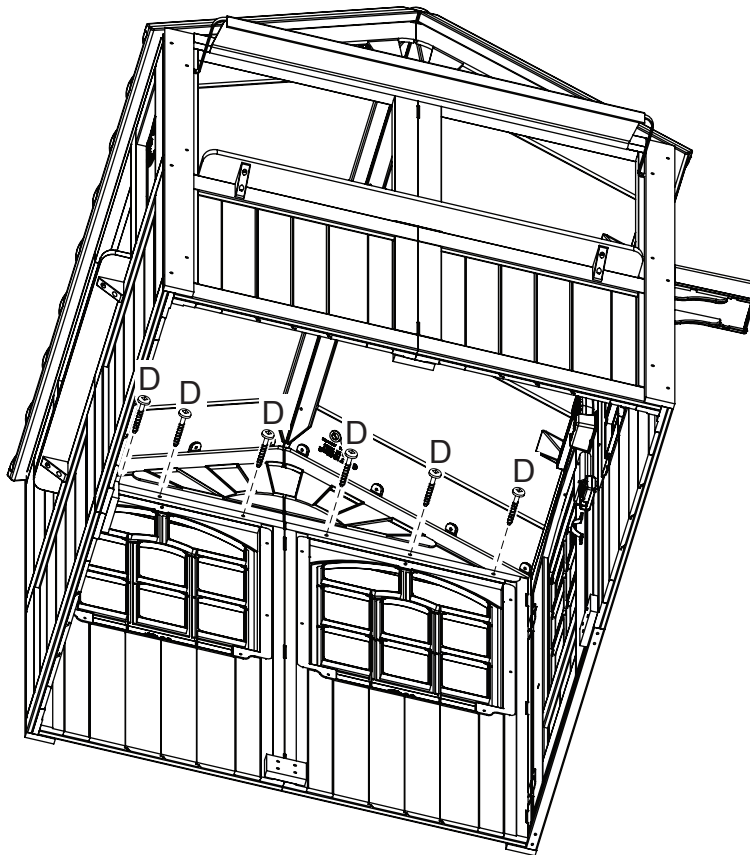
Step  
Paso  
Étape  
Schritt  
Stap  
Шаг

36



Step  
Paso  
Étape  
Schritt  
Stap  
Шаг

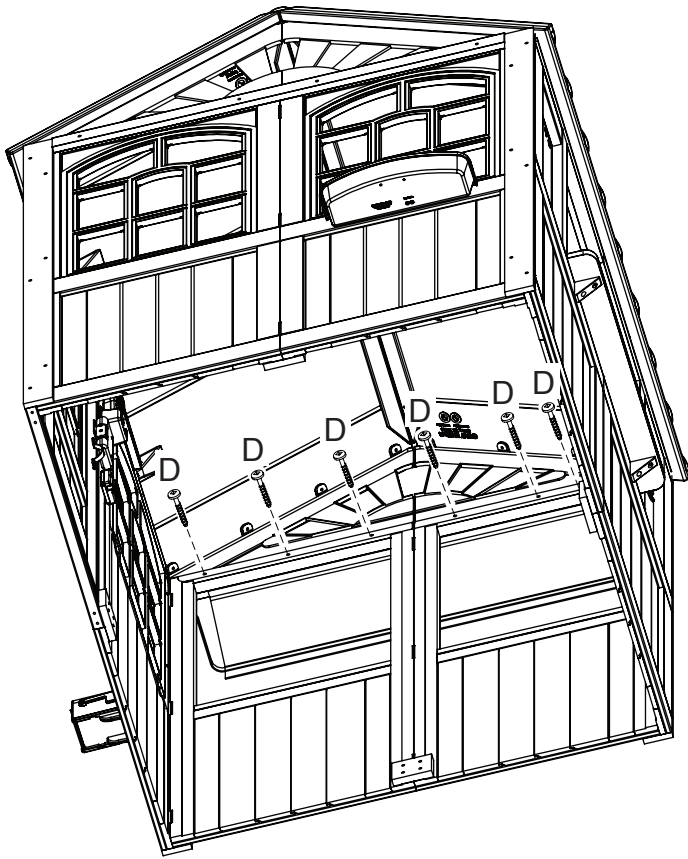
37



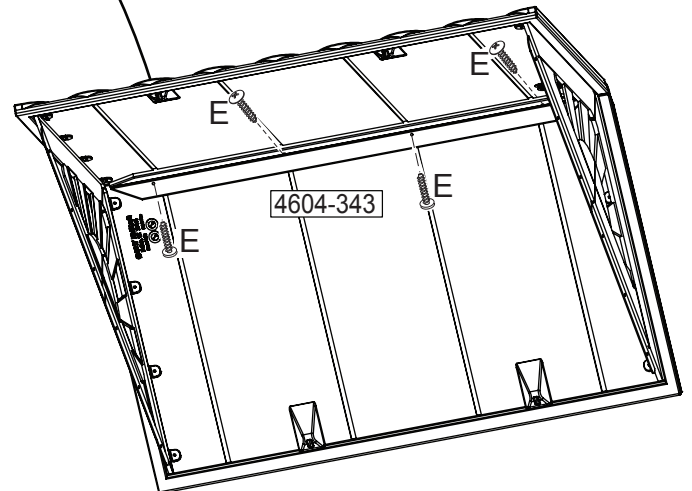
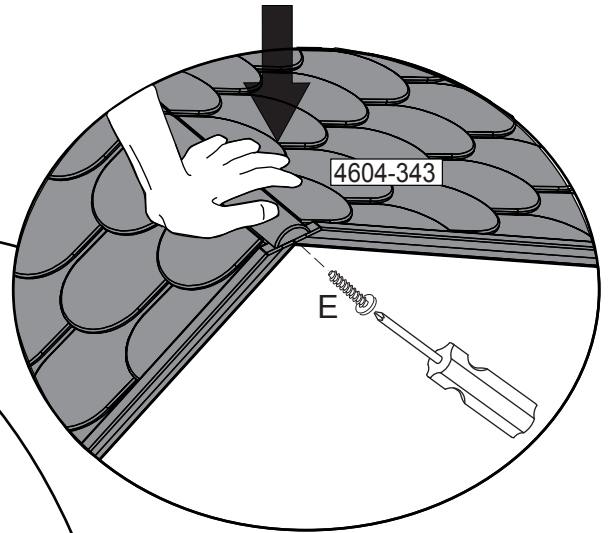
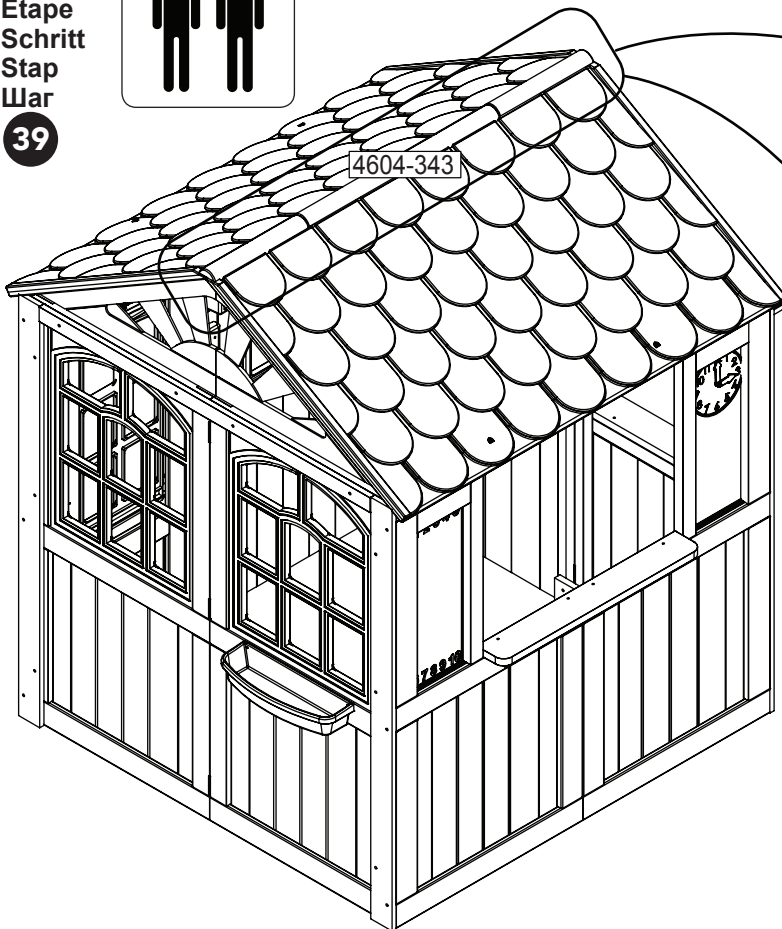
KidKraft®



Step  
Paso  
Étape  
Schritt  
Stap  
Шаг  
38



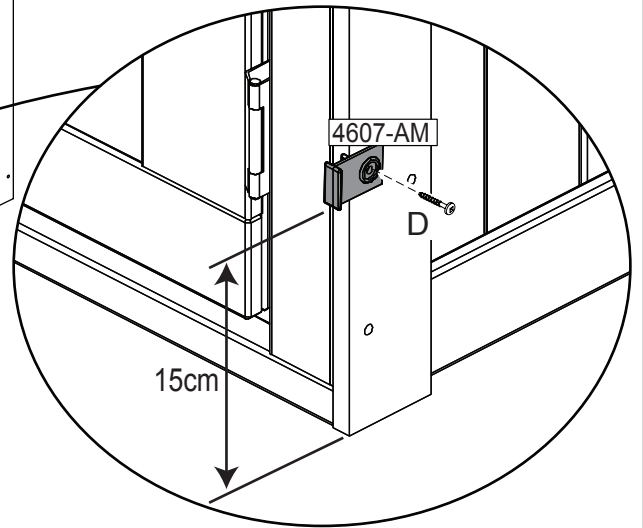
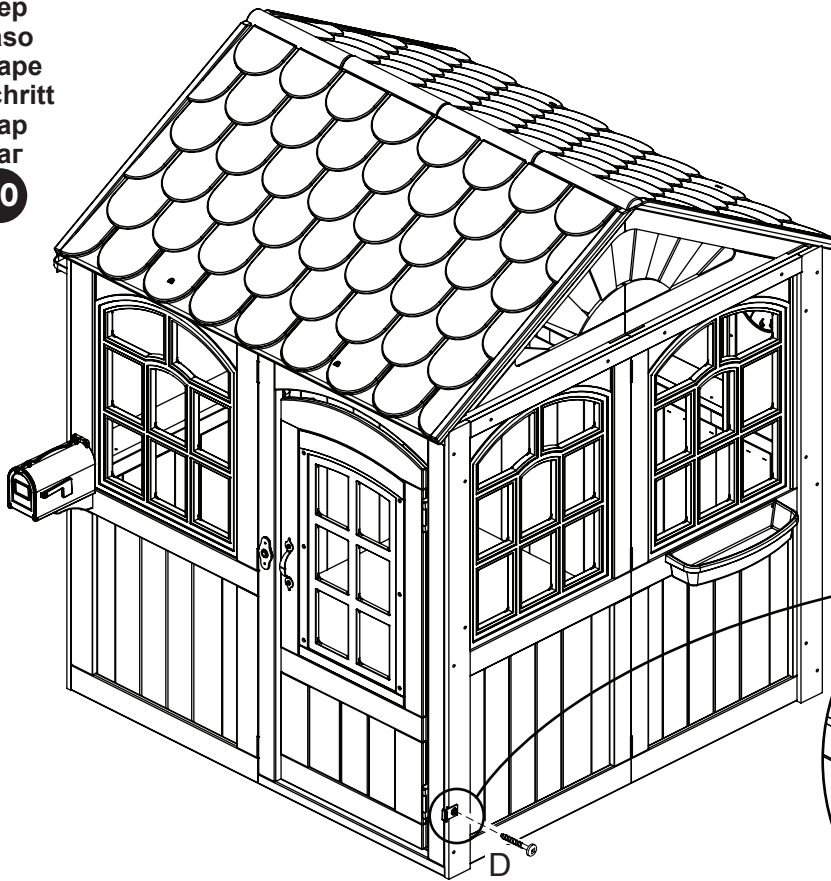
Step  
Paso  
Étape  
Schritt  
Stap  
Шаг  
39



KidKraft®

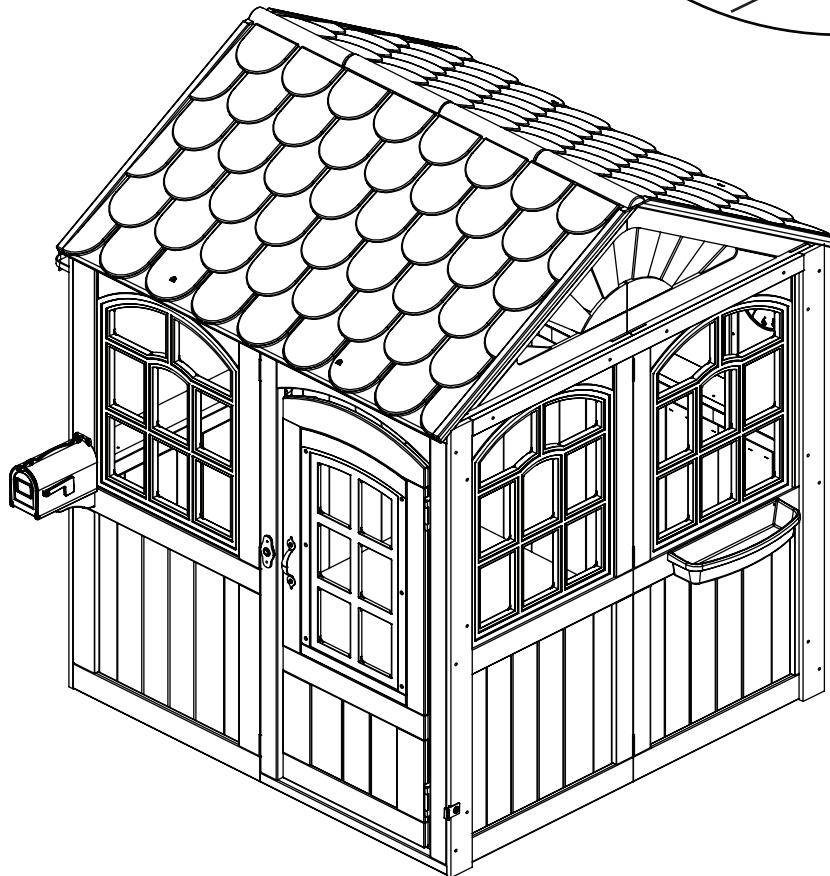
Step  
Paso  
Étape  
Schritt  
Stap  
Шаг

40



Step  
Paso  
Étape  
Schritt  
Stap  
Шаг

41



KidKraft®