



Heracles Seesaw

INSTRUCTION MANUAL

DO NOT DISCARD: IMPORTANT LITERATURE. KEEP THESE INSTRUCTIONS FOR FUTURE REFERENCE. OBSERVE ALL SAFETY WARNINGS AND CAUTIONARY STATEMENTS TO REDUCE THE RISK OF SERIOUS OR FATAL INJURY.



WARNING:

The toy is to be assembled by an adult. In unassembled state contain potentially hazardous small parts, so please keep out of baby's reach.

TO AVOID SERIOUS INJURY:

DO NOT install this product on a hard surface. Fall onto hard surfaces could result in head or other serious injuries. Never put on concrete, asphalt, wood, packed earth or other hard surfaces. Carpet over hard floors may not prevent injury.

SAFETY INSTRUCTIONS

WARNING: This product is designed for family domestic use only. Suitable for indoor and outdoor use. Adult assembly required.

WARNING: CHOKING HAZARD - Small parts. This product contains small parts and sharp points which are necessary for assembly. Prior to or during assembly of this product, keep all components out of children's reach. Small parts pose a choke hazard to children under 3 years of age.

- Recommend to place the activity toy on a level surface at least 2 m (6.5 feet) from any structure or obstruction such as a fence, garage, house, overhanging branches, laundry lines or electrical wires.
- Instruct children on proper use of this product, only after properly installed and assembled, and not in any manner other than intended.
- Adult supervision required at all time. DO NOT leave children unattended.
- Dress children appropriately while on and around this product. Use well-fitting shoes and full foot enclosing footwear. Examples of inappropriate footwear are clogs, flip flops, and sandals. DO NOT allow children to wear inappropriate items, such as but not limited to, loose fitting clothing, hood and neck drawstrings, scarves, cord-connected items, capes and ponchos. These items can cause death by strangulation.
- Teach and instruct children to sit at the center with their full weight on the seats.
- Instruct children to hold on to handle bar with both hands, and warn children not to get off the seesaw when it is in motion.
- Warn children not to get off the equipment while in motion.
- DO NOT swing or rotate empty seats. These may hit other children or yourself.
- DO NOT allow children to stand on, walk close to, behind, in front of, or between moving plays. Instruct children to keep a safe distance away from moving plays to avoid being hit by items in play.
- DO NOT allow children to climb on the product when the product is wet. Slippery can result in slips or potential fall.
- When temperature falls below 32°F/0°C, outdoor use of this product is not recommended. In extreme cold, plastic materials lose resilience and may become brittle and crack upon impact. Remove and store product indoors.
- Warnings. Maximum weight limit is 50 lbs. (23 kg) per seat. Maximum of one (1) user per seat.
- Warning! This product is intended for use by children ages 3 – 8 years.
- Warning! Falls from equipment placed over hard surfaces could cause serious head injury or death.
- Warning! Using helmets and other items that can wrap around a child's neck could become entangled or entrapped by the equipment, and lead to strangulation or death.
- Instruct children to remove their bike or other sports helmet before using this product.

CARE AND MAINTENANCE

- The owner of this product shall be responsible for maintaining the legibility of the warning labels.
- Check all coverings for bolts and sharp edges and replace when required.
- Replace defective parts in accordance with the manufacturer's instructions.
- Discard all packaging properly after unit has been assembled.
- Make sure all parts are securely snapped together before use.
- If the products are exposed to direct sunlight, always check to make sure they are not too hot for children to use. If the products are hot, pour cold water on the product until they cool and then wipe dry. Check product periodically during use.
- It is recommended that the products be placed in a position unlikely to injure child's eyes with respect to sun.
- Clean the product regularly with soapy water in order to avoid a build up of static electricity.
- DO NOT leave this item exposed to strong wind and inclement weather.
- NEVER attach any materials that are not specifically designed for use with this product, such as (but not limited to) jump ropes, clotheslines, pet leashes, cables and chains. These pose a potential strangulation hazards.
- This product should be installed over impact absorbing surfaces such as sand, wood-bark chips, rubber and foam.
- At the beginning of each play season: Rake and check depth of loose fill protective surfacing materials to prevent compaction and to maintain appropriate depth. Replace as necessary.
- At the beginning of each season as well as at regular intervals during the usage season:
 - check all nuts and bolts for tightness and tighten when required;
 - oil all metallic moving parts;
 - check all coverings and bolts for sharp edges and replace when required;
 - check seats and other means of attachment for evidence of deterioration; replace when required in accordance with the manufacturer's instructions;
 - Check metal parts for rust. If found, sand and repaint using a non lead-based paint meeting the requirements of 16 CFR 1303.
- Twice a month during play season:
 - Tighten all hardware.
 - Check all protective coverings on bolts, pipes, edges, and corners. Replace if they are loose, cracked or missing.
 - Rake and check depth of loose fill protective surfacing materials to prevent compaction and to maintain appropriate depth. Replace as necessary.
- Once a month during play season:
 - Check all moving parts including seats and metal parts for wear, rust, or other deterioration. Replace as needed.
- At the end of each play season or when the temperature drops below 32°F/0°C:
 - Rake and check depth of loose fill protective surfacing materials to prevent compaction and to maintain appropriate depth. Replace as necessary.
 - Remove the product and store indoor. In extreme cold weather, plastic materials lose resilience and may become brittle and crack upon impact.
- Never use pliers to tighten up screws – these can cause damages to both the paintwork and the special anti-corrosion painting.
- Tighten all nuts and bolts securely. Replace as necessary. If not checked regularly, bolts can be loose or missed and components can become detached and cause injuries.
- When the time comes to disassemble and dispose of this playground unit, please completely disassemble the unit and discard of it in a safe place and manner so as not to present any hazard to any individual.

CONSUMER INFORMATION

Information on Playground surfacing materials¹:

Select Protective Surfacing – One of the most important things you can do to reduce the likelihood of serious head injuries is to install shock-absorbing protective surfacing under and around your play equipment. The protective surfacing should be applied to a depth that is suitable for the equipment height in accordance with ASTM Specification F 1292. There are different types of surfacing to choose from; whichever product you select, follow these guidelines:

Loose-Fill Materials:

Maintain a minimum depth of 9 inches of loose fill materials such as wood mulch/chips, engineered wood fiber (EWF), or shredded/recycled rubber mulch for equipment up to 8 feet high; and 9 inches of sand or pea gravel for equipment up to 5 feet high. NOTE: An initial fill level of 12 inches will compress to about a 9 inch depth of surfacing over time. The surfacing will also compact, displace, and settle, and should be periodically refilled to maintain at least a 9 inch depth.

Use a minimum of 6 inches of protective surfacing for play equipment less than 4 feet in height. If maintained properly, this should be adequate. (At depths less than 6 inches, the protective material is too easily displaced or compacted.)

NOTE: Do not install home playground equipment over concrete, asphalt, or any other hard surface. A fall onto a hard surface can result in serious injury to the equipment user. Grass and dirt are not considered protective surfacing because wear and environmental factors can reduce their shock absorbing effectiveness. Carpeting and thin mats are generally not adequate protective surfacing. Ground level equipment – such as a sandbox, activity wall, playhouse or other equipment that has no elevated play surface – does not need any protective surfacing. Use containment, such as digging out around the perimeter and/or lining the perimeter with landscape edging. Don't forget to account for water drainage.

Check and maintain the depth of the loose-fill surfacing material. To maintain the right amount of loose-fill materials, mark the correct level on play equipment support posts. That way you can easily see when to replenish and/or redistribute the surfacing.

Do not install loose-fill surfacing over hard surfaces such as concrete or asphalt.

Poured-In-Place Surfaces or Pre-Manufactured Rubber Tiles – You may be interested in using surfacing other than loose-fill materials – like rubber tiles or poured-in-place surfaces.

Installations of these surfaces generally require a professional and are not “do-it-yourself” projects.

Review surface specifications before purchasing this type of surfacing. Ask the installer/manufacture for a report showing that the product has been tested to the following safety standard: ASTM F1292 Standard Specification for Impact Attenuation of Surfacing Materials within the Use Zone of Playground Equipment. This report should show the specific height for which the surface is intended to protect against serious head injury. This height should be equal to or greater than the fall height – vertical distance between a designated play surface (elevated surface for standing, sitting, or climbing) and the protective surfacing below – of your play equipment.

Check the protective surfacing frequently for wear.

Placement – Proper placement and maintenance of protective surfacing is essential. Be sure to:

Extend surfacing at least 6 feet from the equipment in all directions.

¹This information has been extracted from the CPSC publications “Playground Surfacing – Technical Information Guide” and “Handbook for Public Playground Safety.” Copies of these documents can be obtained by sending a postcard to the: Office of Public Affairs, U.S. Consumer Product Safety Commission, Washington, DC 20207 or by calling the toll free hotline: 1-800-638-2772.

Choose a level location for the equipment. This can reduce the likelihood of the play set tipping over and loose-fill surfacing materials washing away during heavy rains. Locate bare metal platforms and slides out of direct sunlight to reduce the likelihood of serious burns. A slide that faces north will receive the least direct sunlight. Provide enough room so that children can use the equipment safely. These items can cause death by strangulation.

Consumer information sheet for playground surfacing materials

Maximum fall height for this product is 2 ft 6 inch (781mm)

The US Consumer Product Safety Commission (CPSC) estimates that about 100 000 playground equipment related injuries resulting from falls to the ground surface are treated annually in US hospital emergency rooms. Injuries involving this hazard pattern tend to be among the most serious of all playground injuries, and have the potential to be fatal, particularly when the injury is to the head. The surface under and around playground equipment can be a major factor in determining the injury-causing potential of a fall. It is self-evident that a fall on to a shock-absorbing surface is less likely to cause a serious injury than a fall onto a hard surface.

Playground equipment should never be placed on hard surfaces, such as concrete or asphalt, and while grass may appear to be acceptable, it may quickly turn to hard-packed earth in areas of high traffic. Shredded bark mulch, wood chips, fine sand or fine gravel are considered to be acceptable shock absorbing surfaces when installed and maintained at a sufficient depth under and around playground equipment.

Table B.1 lists the maximum height from which a child would not be expected to sustain a life-threatening head injury in a fall on to four different loose-fill surfacing materials if they are installed and maintained at depths of 150 mm, 225 mm and 300 mm.

Table B.1 – Fall height in millimetres from which a life-threatening head injury would not be expected

Type of material	Depth of surfacing material		
	150 mm	225 mm	300 mm
Double shredded bark mulch	1800	3000	3300
Wood chips	1800	2100	3600
Fine sand	1500	1500	2700
Fine gravel	1800	2100	3000

However, it should be recognised that all injuries due to falls cannot be prevented, no matter what surfacing material is used.

It is recommended that a shock absorbing material extend a minimum of 1 800 mm in all directions from the perimeter of stationary equipment such as climbing frames and slides. However, because children may deliberately jump from a moving swing, the shock absorbing material should extend in the front and rear of a swing a minimum distance of twice the height of the pivot point measured from a point directly beneath the pivot on the supporting structure.

This information is intended to assist in comparing the relative shock-absorbing properties of various materials. No particular material is recommended over another. However, each material is only effective when properly maintained. Materials should be checked periodically and replenished to maintain correct depth as determined necessary for the equipment in question. The choice of a material depends on the type and height of the playground equipment, the availability of the material in a particular area, and its cost.

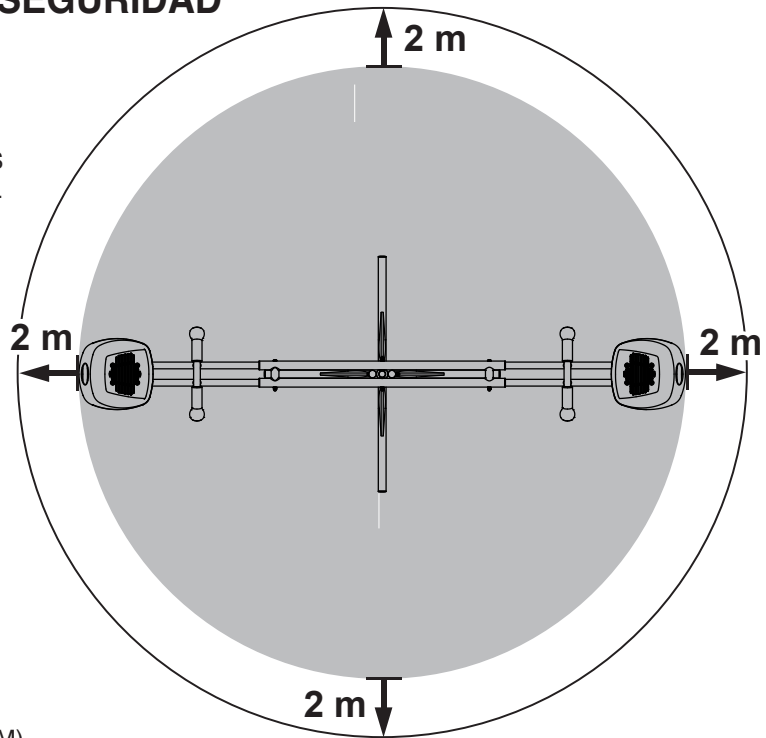
This information has been extracted from the CPSC publications “Playground Surfacing — Technical Information Guide” and “Handbook for Public Playground Safety”.

SAFETY SPACE REQUIREMENT / ESPACE DE SÉCURITÉ REQUIS / REQUISITOS DE ESPACIO DE SEGURIDAD

Place the seesaw on level ground NOT LESS THAN 6.5 ft (2 M) away from any other hard or fixed object. e.g. fence, shed, trees.

Placez la balançoire sur un sol plat À AU MOINS 2 MÈTRES de tout autre objet dur ou fixe, par ex. clôture, cabanon, arbres.

Coloque el columpio en un suelo nivelado y manteniendo una distancia NO INFERIOR A 2 METROS respecto a cualquier objeto duro o fijo, por ejemplo una valla, caseta, árboles.



Recommended play area : Diameter 19.7 ft (6 M)

Zone de jeu recommandée : Diamètre de 6 M

Área de juego recomendada: Diámetros: 19.7 ft (6 M)

EN LIMITED WARRANTY (Not applicable in Australia and New Zealand)

Our products are covered under warranty for a period of 1 year* from the date of purchase, under normal use and service, against defective workmanship and material. If you have recently purchased this product and find it to be defective in any way, kindly return it to the "Source of Purchase" for a Full Refund or Exchange.

Should the product no longer be covered by your Purchase Receipt, or should you have any questions pertaining to our product, please call our Toll Free Customer Service for assistance.

Keep a copy of the UPC Code with proof of purchase receipt for any future Warranty Service. Please retain packaging and instruction manual for future reference.

*The warranty period is three (3) months for daycare or commercial purchasers.

FR GARANTIE LIMITÉE (Non applicable en Australie et en Nouvelle-Zélande)

Nos produits sont couverts par la garantie pour une période de 1 année* à compter de la date d'achat, conditions normales d'utilisation et de service, contre tout défaut de fabrication et de matériau. Si vous avez récemment acheté ce produit et trouvé que c'était un défaut de toute façon, merci de le retourner à la «Source d'achat» pour un remboursement ou un échange.

Si le produit n'est plus couvert par votre reçu d'achat, ou si vous avez des questions concernant nos produits, s'il vous plaît communiquer avec notre service à la clientèle sans frais d'assistance. Conservez une copie du code CUP avec preuve d'achat à un Service de Garantie avenir. S'il vous plaît garder instructions d'emballage et d'assemblage pour référence future.

*La période de garantie est de trois (3) mois pour les acheteurs des garderies ou professionnels.

ES GARANTIA LIMITADA (No aplicable en Australia y Nueva Zelanda)

La garantía de nuestros productos cubre un periodo de 1 año* a partir de la fecha de compra, con uso y servicio normal, contra defectos de material y mano de obra. Si usted ha comprado este producto reciamente y le encuentra alguna clase de defecto, por favor, devuélvalo al «Sitio donde lo compro» para que le devuelvan el dinero o se lo cambien.

Si su Recibo de compra ya no cubre el producto o si tiene alguna pregunta pertinente a nuestro producto, por favor llame a nuestra Línea Gratuita de Servicio al Cliente para obtener ayuda.

Guarde una copia del Código UPC con el recibo de compra por si necesita Servicio de Garantía en el futuro.

Por favor guarde la caja y las instrucciones del ensamblaje para referencia futura.

*El periodo de garantía es tres (3) meses en guarderías o usos comerciales.

CUSTOMER SERVICE / ENQUIRIES

US/Canada toll free hotline:
1-888-468-9898
service@grow-n-up.com
Other countries:
support@grow-n-up.com
www.grow-n-up.com

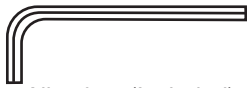
SERVICE À LA CLIENTÈLE / QUESTIONS

support@grow-n-up.com
www.grow-n-up.com

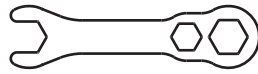
SERVICIO AL CLIENTE / CONSULTAS

support@grow-n-up.com
www.grow-n-up.com

TOOLS REQUIRED FOR ASSEMBLY / Outils Nécessaires Pour l'Assemblage / SE REQUIEREN HERRAMIENTAS PARA EL MONTAJE



Allen key (Included)
Clé Allen (Incluses)
Llave Allen (Incluida)



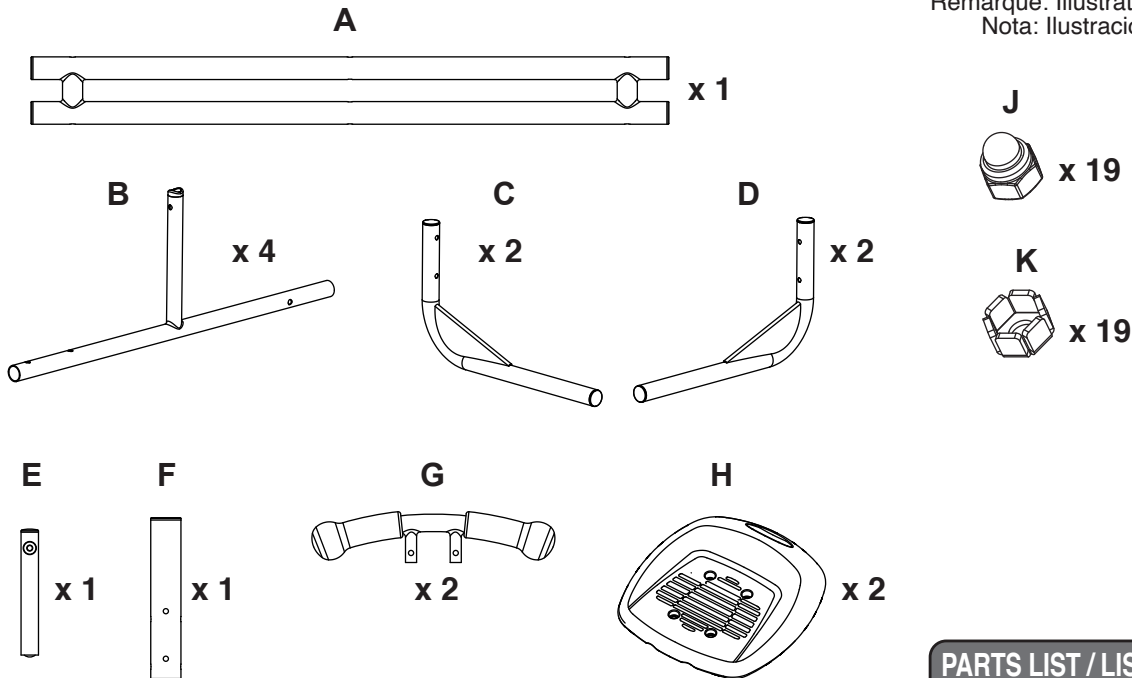
Spanner (Included)
Clé à molette (Incluses)
Llave de tuerca (Incluida)

Safety Glasses (Not Included)
Lunettes de sécurité (non incluses)
Gafas de Seguridad (No Incluidas)

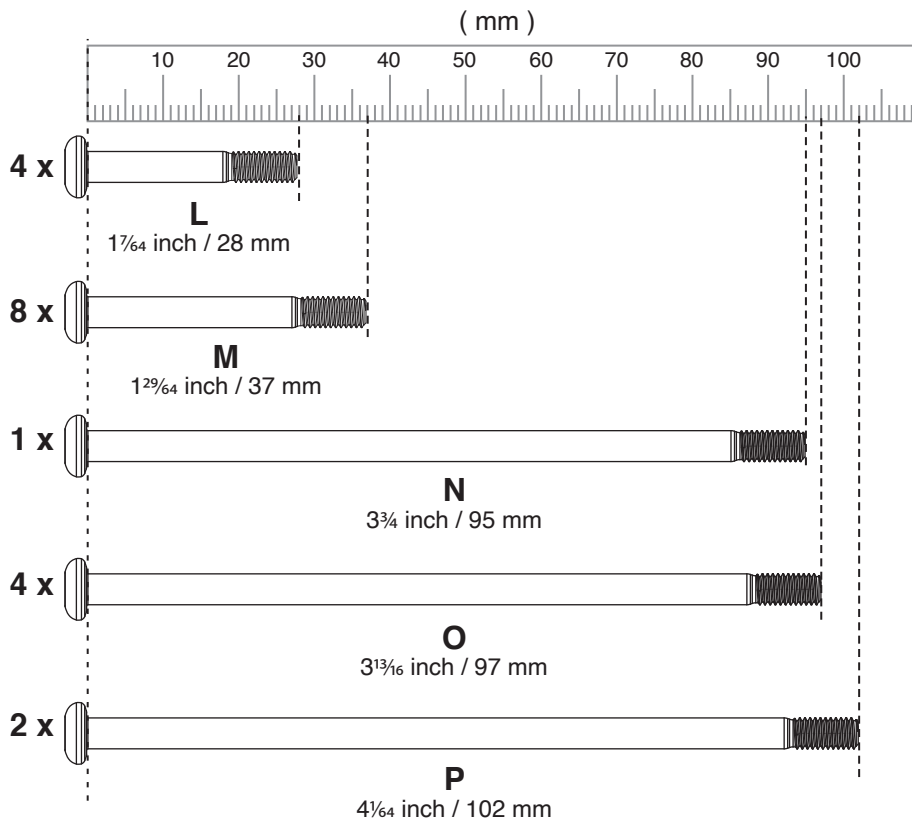
Protective Gloves (Not Included)
Gants de protection (non incluses)
Guantes de Protección (No Incluidos)

PARTS / PIÈCES / PIEZAS

Notes: Illustrations not to scale.
Remarque: Illustrations pas à l'échelle.
Nota: Ilustraciones no son escala.



FASTENER SHOWN ACTUAL SIZE LES FIXATIONS SONT ILLUSTRÉES À L'ÉCHELLE TAMAÑO REAL DE LA ABRAZADERA ILUSTRADA

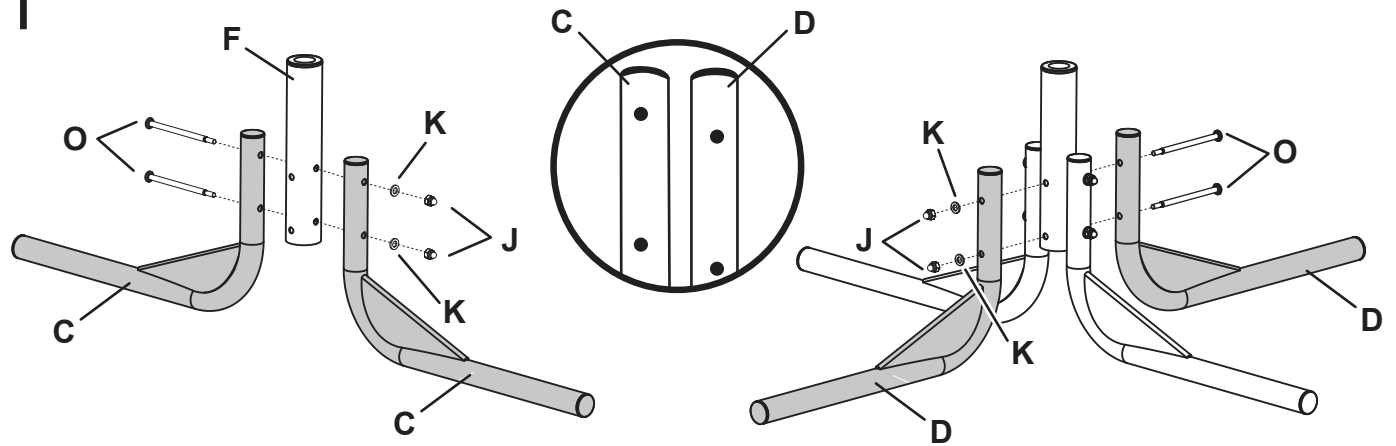


PARTS LIST / LISTE DES PIÈCES / LISTA DE LAS PARTES

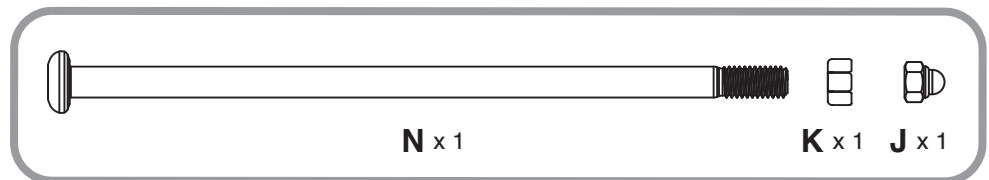
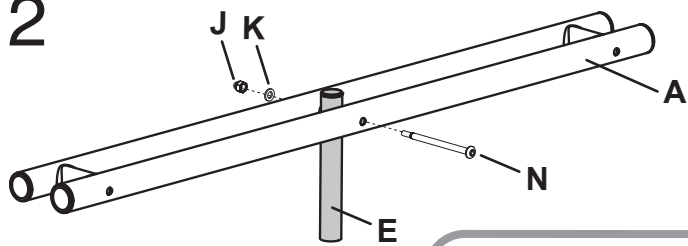
#	DESCRIPTION / DESCRIPTION / DESCRIPCIÓN	QTY/QTÉ/ Cant.
A	Main Horizontal Bars / Barres horizontales principales / Barras horizontales principales	1
B	Extendable Bar / Barre extensible / Barra Extensible	4
C	Base A / Base A / Base A	2
D	Base B / Base B / Base B	2
E	Rotating Bar / Barre pivotante / Barra Giratoria	1
F	Main Upright Bar / Barre verticale principale / Barra Superior Principal	1
G	Handle Bar / Barre de poignées / Manillar	2
H	Seat / Siège / Asiento	2
J	Acorn Nut / Noisette / Tuerca Ciega	19
K	Flower Washer / Rondelle de fleurs / Arandela de Flor	19
L	Bolt / Boulons / Perno (1 1/64 inch / 28 mm)	4
M	Bolt / Boulons / Perno (1 29/64 inch / 37 mm)	8
N	Bolt / Boulons / Perno (3 3/4 inch / 95 mm)	1
O	Bolt / Boulons / Perno (3 13/16 inch / 97 mm)	4
P	Bolt / Boulons / Perno (4 1/64 inch / 102 mm)	2

ASSEMBLY / ASSEMBLAGE / ENSAMBLAJE:

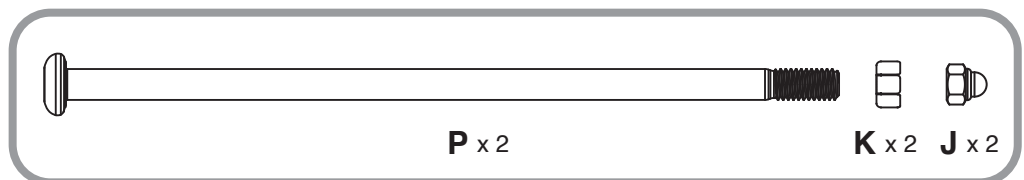
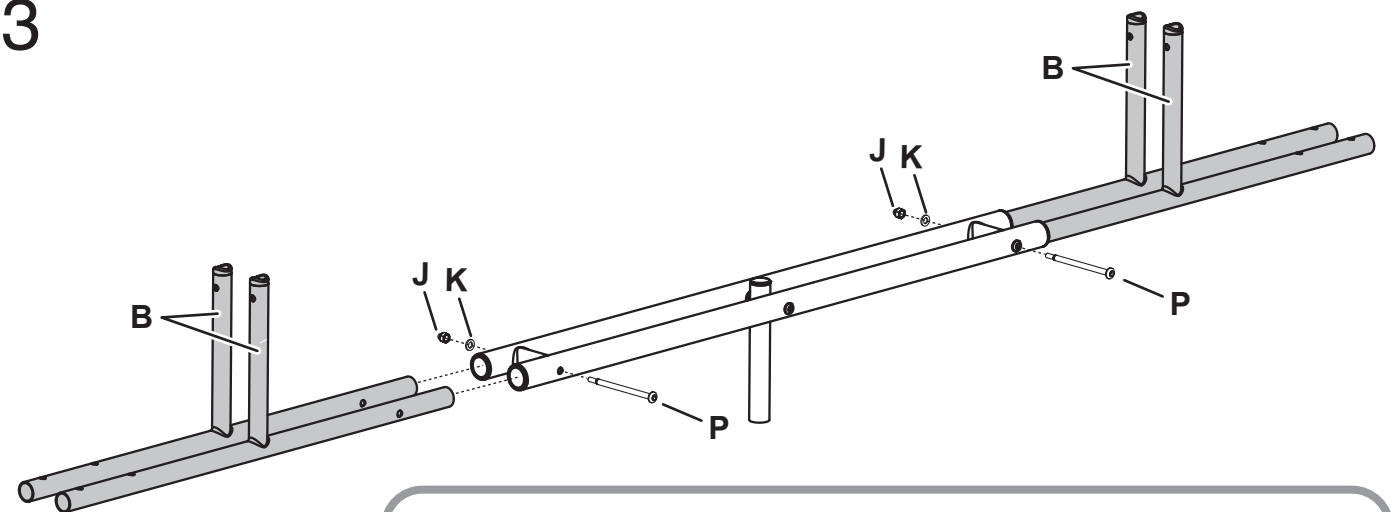
1



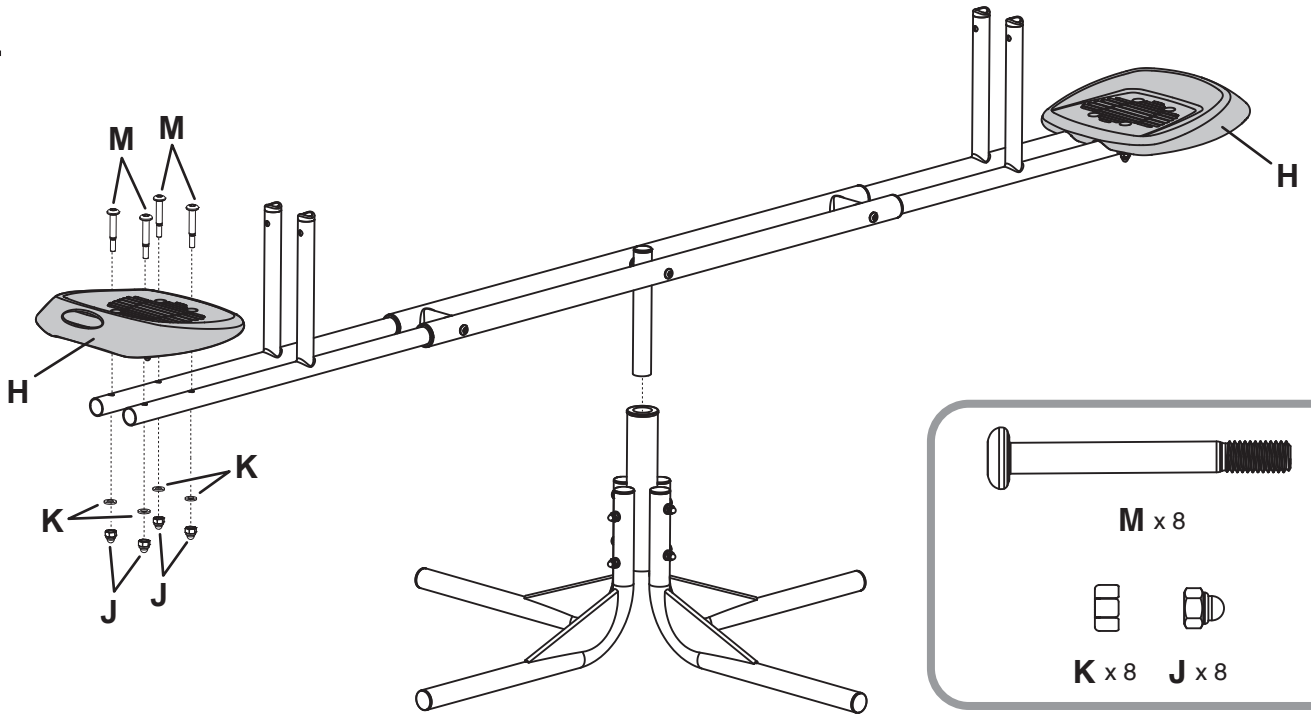
2



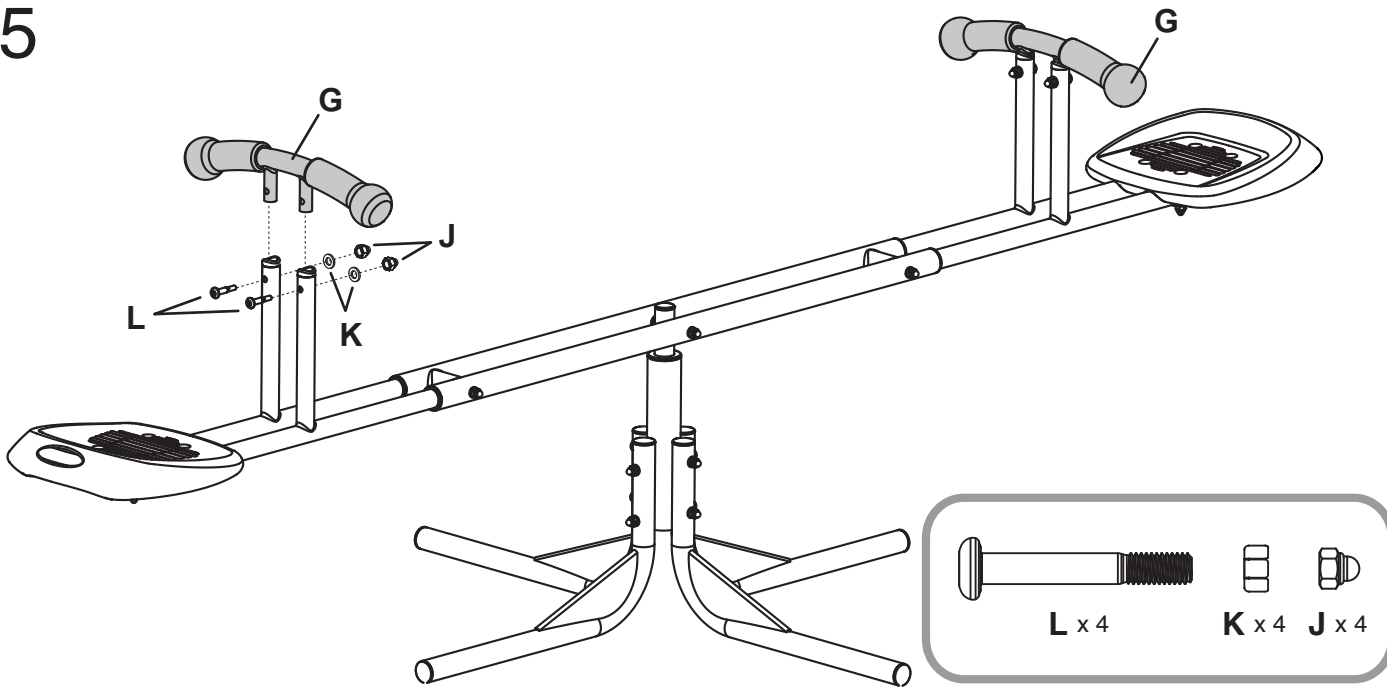
3



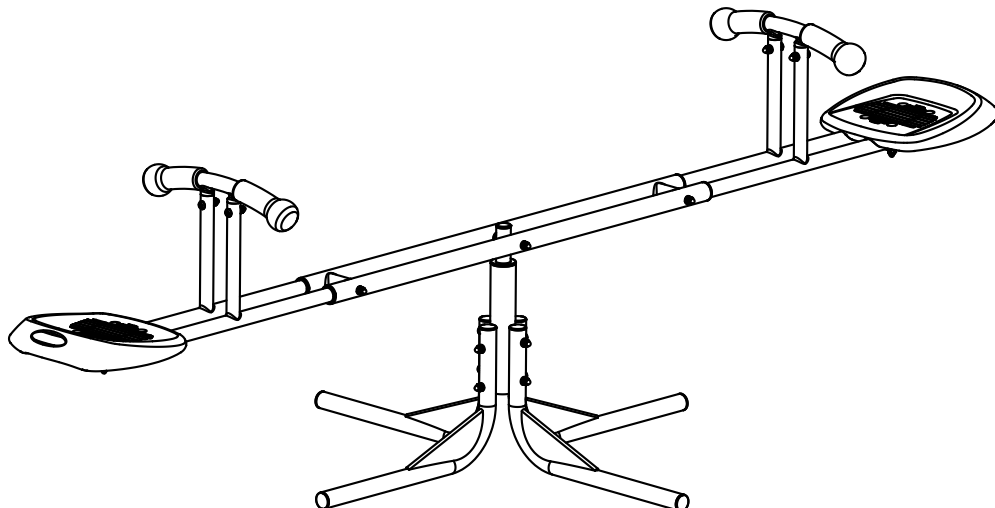
4



5



6





Balçoire à bascule

INSTRUCTIONS D'ASSEMBLAGE

NE PAS JETER LA DOCUMENTATION IMPORTANTE. CONSERVER CES INSTRUCTIONS POUR RÉFÉRENCE ULTÉRIEURE. LIRE ATTENTIVEMENT TOUS LES ÉNONCÉS D'AVERTISSEMENTS DE SÉCURITÉ ET DE MISE EN GARDE AFIN DE RÉDUIRE LE RISQUE DE BLESSURES GRAVES POUVANT CAUSER LA MORT.

AVERTISSEMENT :
Lorsqu'il n'est pas monté, il contient des petites pièces potentiellement dangereuses, veuillez garder hors de portée du bébé.

POUR ÉVITER DES BLESSURES GRAVES :

N'installez PAS ce produit sur une surface dure. Une chute sur surface dure peut entraîner des blessures à la tête ou autres blessures sérieuses. Ne placez jamais le produit sur du ciment, de l'asphalte, du bois, de la terre compactée ou toute autre surface dure. Recouvrir les surfaces dures de moquette peut ne pas suffire à empêcher les blessures.

CONSIGNES DE SECURITE

AVERTISSEMENT : Ce produit est conçu pour un usage résidentiel normal uniquement. Uniquement pour une utilisation domestique. Assemblage par un adulte requis.

AVERTISSEMENT : RISQUES D'ÉTOUFFEMENT - Petits éléments. Ce produit contient des petits éléments et des bouts pointus nécessaires pour le montage. Avant le montage et au cours du montage de ce produit, gardez tous les composants hors de portée des enfants. Les pièces de petites dimensions présentent un risque d'étouffement pour les enfants de moins de 3 ans.

- Mettre ce produit sur le sol nivelé et au mois 2 mètres (6.5 pieds) loin d'un obstacle, des branches au-dessus de tête, la ligne de la buanderie ou les câbles électriques.
- Apprendre aux enfants à utiliser correctement ce produit, uniquement après l'avoir correctement installé et assemblé, et pas d'une manière autre que celle prévue.
- Surveillance d'un adulte requise en tout temps. NE laissez PAS les enfants sans surveillance.
- Habillez les enfants de manière appropriée lorsqu'ils sont sur et autour de ce produit. Utilisez des chaussures bien ajustées et qui enserrant complètement le pied. Les sabots, tongs et sandales sont des exemples de chaussures inappropriées. NE PERMETTEZ PAS aux enfants de porter des articles inappropriés, tels que, mais sans s'y limiter, des vêtements amples, des cordons de capuche et de cou, des foulards, des articles à cordon, des capes et des ponchos. Ces articles peuvent causer la mort par étranglement.
- Expliquez aux enfants qu'ils doivent s'asseoir au centre avec tout leur poids sur les sièges.
- Expliquez aux enfants qu'ils doivent tenir le guidon à deux mains et prévenez-les qu'ils ne doivent pas descendre de la balançoire lorsqu'elle est en mouvement.
- Avertissez les enfants de ne pas descendre de l'équipement lorsqu'ils sont en mouvement.
- NE PAS balancer les sièges vides. Ceux-ci peuvent toucher d'autres enfants ou vous-même.
- NE laissez PAS les enfants se tenir debout, marcher près, derrière, devant ou entre des jeux en mouvement. Demandez aux enfants de se tenir à une distance sécuritaire des jeux en mouvement pour éviter d'être touchés par des objets en cours de jeu.
- NE laissez PAS les enfants grimper sur le produit lorsque celui-ci est mouillé. Glissant peut entraîner des glissades ou une chute potentielle.
- Lorsque la température descend en dessous de 32 ° F / 0 ° C, l'utilisation de ce produit à l'extérieur n'est pas recommandée. Par temps extrêmement froid, les matières plastiques perdent de leur élasticité et peuvent devenir cassantes et se fissurer à l'impact. Retirez et stockez le produit à l'intérieur.
- Mises en garde. La limite de poids maximale est de 50 lbs. (23 kg) par siège. Maximum d'un (1) utilisateur par siège.
- Attention. Ce produit est destiné à être utilisé par des enfants âgés de 3 à 8 ans.
- Attention ! Les chutes d'équipements placés sur des surfaces dures peuvent causer des blessures graves à la tête ou la mort.
- Attention ! L'utilisation de casques et d'autres éléments qui peuvent s'enrouler autour du cou d'un enfant, peuvent s'emmêler ou se coincer dans l'équipement et entraîner la strangulation ou la mort.
- Demandez aux enfants d'enlever leur casque de vélo ou d'autre sport pour utiliser ce produit.

SÉCURITÉ ET ENTRETIEN

- Le détenteur du produit est responsable du maintien sur le produit des étiquettes d'avertissements obligatoires.
- Vérifiez l'éventuelle présence de boulons et de bords pointus sur tous les couvercles, et remplacez si nécessaire.
- Remplacez les pièces défectueuses conformément aux instructions du fabricant.
- Jetez tous les emballages adéquatement après que l'unité soit assemblée.
- Assurez-vous que toutes les pièces sont bien assemblées avant utilisation
- Si les produit sont exposées à la lumière directe du soleil, assurez-vous toujours qu'elles ne sont pas trop chaudes pour que les enfants puissent les utiliser. Si les produit sont chaudes, versez de l'eau froide sur les produit jusqu'à ce qu'elles refroidissent, puis essuyez-les. Vérifiez périodiquement les produit pendant l'utilisation.
- Il est recommandé de placer les produit dans une position qui ne risque pas de blesser les yeux de l'enfant par rapport au soleil.
- Nettoyez régulièrement les produit avec de l'eau savonneuse afin d'éviter une accumulation d'électricité statique.
- NE laissez PAS cet article exposé au vent fort et aux intempéries.
- NE JAMAIS attacher des matériaux qui ne sont pas spécifiquement conçus pour être utilisés avec ce produit, tels que (mais sans s'y limiter) des cordes à sauter, des cordes à linge, des laisses pour animaux de compagnie, des câbles et des chaînes. Ceux-ci présentent un risque d'étranglement potentiel.
- Ce produit doit être installé sur des surfaces absorbant les chocs telles que le sable, les copeaux d'écorce de bois, le caoutchouc et la mousse.
- Au début de chaque saison de jeu: ratisser et vérifier la profondeur des matériaux de revêtement de protection en vrac pour éviter le compactage et maintenir une profondeur appropriée. Remplacez si nécessaire.
- Au début de chaque saison ainsi qu'à intervalles réguliers pendant la saison d'utilisation:
 - vérifier le serrage de tous les écrous et boulons et serrer si nécessaire;
 - huiler toutes les pièces métalliques mobiles;
 - vérifier tous les revêtements et boulons pour des arêtes vives et les remplacer si nécessaire;
 - vérifier les sièges de balançoire, les chaînes, les cordes et les autres moyens de fixation pour détecter des signes de détérioration; remplacer au besoin conformément aux instructions du fabricant;
 - Vérifiez la présence de rouille sur les pièces métalliques. Si trouvé, poncez et repeignez à l'aide d'une peinture sans plomb répondant aux exigences de 16 CFR 1303.
- Deux fois par mois pendant la saison de jeu:
 - Serrez tout le matériel.
 - Vérifiez tous les revêtements de protection sur les boulons, les tuyaux, les bords et les coins. Remplacez-les s'ils sont desserrés, fissurés ou manquants.
 - Ratissez et vérifiez la profondeur des matériaux de revêtement de protection en vrac pour éviter le compactage et maintenir une profondeur appropriée. Remplacez si nécessaire.
- Une fois par mois pendant la saison de jeu :
 - Vérifiez toutes les pièces mobiles, y compris les sièges de balançoire, les câbles et les chaînes, pour détecter toute usure, rouille ou autre détérioration. Remplacez au besoin.
- Al final de cada temporada de juego o cuando la temperatura descienda por debajo de 0°C / 32°F:
 - Ratissez et contrôlez la profondeur du matériau de la surface de protection en vrac pour empêcher son compactage et maintenir la profondeur appropriée. Remplacez si nécessaire.
 - Ne laissez pas le produit en extérieur et gardez le en intérieur. Dans des conditions météorologiques extrêmes, les parties en plastiques perdent de leur résistance et peuvent devenir friables et cassantes en cas d'impact.
- N'utilisez jamais de pinces pour serrer les vis - elles peuvent endommager la peinture et la peinture anticorrosion spéciale.
- Serrez fermement tous les écrous et boulons. Remplacez si nécessaire. S'ils ne sont pas vérifiés régulièrement, les boulons peuvent être desserrés ou manqués et les composants peuvent se détacher et causer des blessures.
- Lorsque le moment est venu de démonter et de mettre au rebut cette unité de jeu, veuillez démonter complètement l'unité et la jeter dans un endroit sûr et de manière à ne présenter aucun danger pour quiconque.

INFORMATION CONSOMMATEUR

Informations sur les matériaux de surface de l'aire de jeu:

Sélection de la surface de protection: L'une des mesures les plus importantes à observer pour réduire la possibilité de blessures sérieuses à la tête est d'installer une surface de protection absorbant les chocs au-dessous et autour de votre équipement de jeu. La surface de protection doit être appliquée à une profondeur adaptée à la hauteur de l'équipement conformément à la spécification F1292 de l'ASTM. Il existe différents types de surfaces. Quel que soit le produit de votre choix, suivez ces directives:

Matériaux en vrac:

Maintenez une profondeur minimum de 23 cm de matériau en vrac comme des écorces / copeaux d'arbres, de la fibre de bois reconstituée ou du paillis de caoutchouc déchiqueté / recyclé pour les équipements jusqu'à 2m40 et 15 cm de sable ou de gravillons pour les équipements jusqu'à 1m50.

REMARQUE: Un niveau initial de 30 cm se comprime dans le temps jusqu'à atteindre une profondeur d'environ 23 cm. La surface va également se compacter, se déplacer et se tasser. Elle doit être régulièrement remplie pour maintenir une profondeur minimum de 23 cm.

Utilisez un minimum de 15 cm de surface de protection pour les équipements de jeu d'une hauteur inférieure à 1m20. Cette protection doit convenir si elle est entretenue correctement. (A des profondeurs inférieures à 15 cm, le matériau de protection est trop facilement déplacé ou compacté.)

REMARQUE: N'installez pas l'aire de jeu à domicile sur du béton, de l'asphalte ou toute autre surface dure. Une chute sur une surface dure peut entraîner des blessures graves pour l'utilisateur de l'équipement. L'herbe et la terre ne sont pas considérées comme des surfaces de protection car leur usage et des facteurs environnementaux peuvent réduire leurs performances d'absorption des chocs. Les moquettes et fins tapis ne sont généralement pas des surfaces de protection appropriées. Les équipements au niveau du sol, comme le bac à sable, le mur d'activités, la maisonnette ou autre équipement ne comportant pas de surface de jeu en hauteur, ne nécessitent pas de surface de protection. Utilisez une technique d'endiguement, comme de creuser une rigole autour du périmètre ou entourez le périmètre d'une bordure paysagère. N'oubliez pas de tenir compte de l'évacuation des eaux. Contrôlez et maintenez la profondeur du matériau de surface en vrac. Pour maintenir la bonne quantité de matériau en vrac, indiquez le niveau correct sur les postes de support de l'équipement de jeu. Ainsi vous pourrez facilement voir quand remplir ou niveler la surface. N'installez pas de surface en vrac sur des surfaces dures comme du béton ou de l'asphalte. Surfaces à verser ou Carreaux de caoutchouc préfabriqués: vous pouvez souhaiter utiliser des surfaces autres que les matériaux en vrac, comme des carreaux de caoutchouc ou des surfaces à verser.

L'installation de ces surfaces nécessite généralement un professionnel et n'est pas un projet de « bricolage ». Consultez les spécifications de ces revêtements avant d'acheter ce type de surface. Demandez à l'installateur / au fabricant un rapport montrant que le produit a été testé selon la norme de sécurité suivante: ASTM F1292 Standard Specification for Impact Attenuation of Surfacing Materials within the Use Zone of Playground Equipment (Spécification standard pour l'atténuation des impacts sur les matériaux de surface dans la zone d'utilisation des équipements d'aires de jeux). Ce rapport doit montrer la hauteur spécifique pour laquelle la surface est conçue dans le cadre d'une protection contre les blessures graves à la tête. Cette hauteur doit être égale ou supérieure à celle de la hauteur de chute : la distance verticale entre une surface de jeu désignée (surface en hauteur pour se mettre debout, s'asseoir ou grimper) et la surface de protection située en dessous de votre équipement de jeu.

Contrôlez fréquemment l'usure de la surface de protection.

Emplacement : l'emplacement et la maintenance adéquats de la surface de protection sont essentiels. Assurez-vous de:

Étendre la surface de protection sur au moins 2 mètres de l'équipement dans toutes les directions.

Pour les balançoires, étendez la surface en un cercle d'un rayon égal à la hauteur de la chaîne ou de la corde suspendue plus deux Mètres dans toutes les directions. Ces informations sont tirées des publications du CPSC « Playground Surfacing - Technical Information Guide » (Surfaces des aires de jeux: Guide des informations techniques) et « Handbook for Public Playground Safety » (Livret sur la sécurité des aires de jeux publiques). Vous pouvez obtenir une copie de ces documents en envoyant un courrier à: Office of Public Affairs, U.S. Consumer Product Safety Commission, Washington, DC 20207 ou en appelant le numéro d'appel gratuit: 1-800-638-2772.

Choisissez un emplacement à niveau pour l'équipement. Cela peut réduire les risques que le jeu se renverse et que des matériaux de revêtement se perdent et s'effacent lors de fortes pluies. Placez les plateformes et les côtés en métal loin de la lumière directe du soleil pour réduire les risques de brûlures graves. Une glissoire orientée vers le nord recevra moins de lumière directe du soleil. Prévoyez suffisamment d'espace pour que les enfants puissent utiliser l'équipement en sécurité. Ces articles peuvent causer la mort par étranglement.

Fiche d'informations consommateur pour les parties apparentes du terrain de jeu La hauteur maximale de chute pour ce produit est de 781mm

La Commission de sécurité des produits des consommateurs américains (CPSC) estime qu'environ 100 000 accidents en relation avec les équipements de terrains de jeu résultant de chutes sur le sol sont traités chaque année dans les salles d'urgence des hôpitaux américains. Les blessures impliquant ce type de danger ont tendance à figurer parmi les plus graves sur les terrains de jeu et elles ont le potentiel d'être mortelles, particulièrement lors de blessures à la tête. La surface se trouvant sous et autour de la structure peut être un facteur majeur pour déterminer le potentiel de blessure causée lors d'une chute. Il est évident qu'une chute sur une surface absorbant les chocs a moins de risques de causer une blessure grave qu'une chute sur une surface dure. Un équipement de jeu ne devrait jamais être placé sur une surface dure telle que le béton ou l'asphalte, et si l'herbe peut sembler acceptable, elle peut rapidement se transformer en sol très dense dans les zones de passage fréquent. Du paillis d'écorce broyée, des copeaux de bois, du sable fin ou de petits graviers sont considérés comme des surfaces acceptables d'absorption des chocs lorsqu'elles sont installées et maintenues à une épaisseur suffisante sous et autour des terrains de jeu.

Le tableau B.1 liste la hauteur maximale depuis laquelle un enfant ne devrait pas subir une blessure à la tête dangereuse pour sa vie lors d'une chute sur quatre types différents de matières d'absorption si celles-ci sont installées et maintenues à des épaisseurs de 15, 22,5 et 30 cm.

Tableau B.1 - Hauteur de chute en cm depuis laquelle une blessure à la tête ne serait pas dangereuse pour la vie

Type de matière	Épaisseur de matière en surface		
	150 mm	225 mm	300 mm
Paillis d'écorce doublement broyé	1800	3000	3300
Copeaux de bois	1800	2100	3600
Sable fin	1500	1500	2700
Gravier fin	1800	2100	3000

Il faut toutefois reconnaître que toutes les blessures dues à une chute ne peuvent être prévenues quelle que soit la matière d'absorption utilisée.

Il est recommandé que la matière d'absorption des chocs s'étende à un minimum de 1,80 m dans toutes les directions depuis le périmètre d'installation de l'équipement tel que celui des parois d'escalade et des toboggans. Toutefois, comme les enfants peuvent délibérément sauter d'une balançoire en mouvement, la matière d'absorption des chocs doit s'étendre devant et à l'arrière d'une balançoire jusqu'à une distance minimale faisant deux fois la hauteur du point de pivot mesurée depuis un point directement dessous le pivot sur la structure de support.

Ces informations sont prévues pour aider à comparer les propriétés relatives d'absorption des chocs de différentes matières. Aucune matière en particulier n'est recommandée par rapport à une autre. Chaque matière n'est toutefois efficace que si elle est périodiquement vérifiée et restaurée pour maintenir l'épaisseur correcte déterminée comme nécessaire pour l'équipement en question.

Le choix d'une matière dépend du type et de la hauteur du terrain de jeu utilisé, de la disponibilité de la matière dans une zone donnée, et de son coût.

Ces informations proviennent des publications du CPSC "Surfaces des terrains de jeu - Guide d'information technique" et "Livret de sécurité publique sur les terrains de jeu.



Balancín Sube y Baja

MANUAL DE INSTRUCCIONES

MANTENGA LAS INSTRUCCIONES DEL ENSAMBLAJE PARA REFERENCIA FUTURA. CUMPLA TODAS LAS ADVERTENCIAS DE SEGURIDAD Y PRECAUCIONES PARA REDUCIR LA POSIBILIDAD DE SUFRIR LESIONES GRAVES O MORTALES. ADVERTENCIA: LA INSTALACIÓN INADECUADA O MOVIMIENTOS DE BALANCEO EN EL ARO PUEDEN CAUSAR LESIONES GRAVES O LA MUERTE.



ADVERTENCIA:

Cuando el juego está desmontado puede contener piezas pequeñas potencialmente peligrosas, por este motivo debe mantenerse fuera del alcance de los bebés.

PARA EVITAR LESIONES GRAVES:

No instale este producto sobre una superficie dura. Las caídas una superficie dura podría provocar heridas en cabeza u otras heridas graves. Nunca coloque en concreto, asfalto, madera, tierra u otra superficie dura. El alfombrado sobre el piso duro podría no prevenir las heridas.

INSTRUCCIONES DE SEGURIDAD

ADVERTENCIA: Solo para uso doméstico. Adecuado para el uso interior y exterior. Debe ser ensamblado por un adulto.

ADVERTENCIA: Peligro de atragantamiento - Pequeñas partes. Este producto tiene esquinas cortantes y piezas pequeñas necesarias para su ensamblaje. Antes de y durante el ensamblaje de este producto, guarde las pequeñas piezas fuera del alcance de los niños. Las piezas pequeñas son un peligro para niños menores de 3 años.

- Se recomienda colocar el juguete de actividades sobre una superficie nivelada a por lo menos 2m (6,5 pies) de cualquier estructura u obstrucción como una valla, un garaje, una casa, ramas sobresalientes, cuerdas para tender ropa o cables eléctricos.
- Instruya a los niños para que no utilicen el producto salvo que esté correctamente ensamblado. NO permita que los niños utilicen este producto en cualquier otra forma que no sea la mencionado en estas instrucciones.
- Se requiere de la supervisión directa de los niños de cualquier edad en cualquier momento cuando están alrededor de este producto. Nunca deje a los niños solos.
- Vista a los niños apropiadamente mientras estén en y alrededor de este producto. Deben usar zapatos que les queden bien y que cubran todo el pie. Ejemplos de calzado inapropiado son zuecos, chanclas, y sandalias. NO permita que los niños vistan artículos inapropiados, como, entre otros, ropa holgada, capuchas o ropas con cordones a la altura del cuello, bufandas, artículos conectados con cordones, capas y ponchos. Estos artículos pueden causar muerte por estrangulamiento.
- Enseñe e instruya a los niños a sentarse en el centro con todo el peso corporal en los asientos.
- Instruya a los niños a agarrarse del mango con ambas manos, y advierta a los niños para que no bajen del columpio en movimiento.
- Advierta a los niños para que no bajen del producto mientras esta en movimiento.
- No columpie ni rote el asiento vacío, ya que podría golpear a otros niños o a usted mismo.
- NO permita que los niños se paren sobre, caminen cerca de, permanezcan detrás, frente a, o entre el producto cuando esté en movimiento. Indique a los niños que se mantengan a una distancia de seguridad prudente.
- NO permita que los niños suban al producto mientras esté mojado. Si el juego está resbaladizo podrían producirse caídas potenciales.
- Cuando la temperatura es inferior a 32°F/0°C, no se recomienda el uso de este producto en el exterior. En caso de frío extremo, los materiales plásticos pierden resistencia y pueden volverse quebradizos y agrietarse con el impacto. Retire y guarde el producto en el interior.
- ¡Advertencia! peso máximo de 23 kg (50 lbs) por asiento. El número máximo de usuarios es 1 niño por asiento.
- ¡Advertencia! Este balancín sube y baja ha sido diseñado para ser utilizado por niños de 3 a 8 años de edad.
- ¡Advertencia! Las caídas desde equipos colocados sobre superficies duras pueden causar lesiones graves en la cabeza o la muerte.
- ¡Advertencia! Al usar cascos y otros artículos que se abrochen alrededor del cuello de un niño se podrían enredar o quedar atrapados en los equipos y provocar estrangulamiento o la muerte.
- Instruya a los niños para que se quiten el casco de bicicleta u otro tipo de casco, antes de utilizar este producto.

SEGURIDAD Y MANTENIMIENTO

- El propietario de este producto será responsable de mantener la legibilidad de las etiquetas de advertencia.
- Compruebe todos los tornillos, bordes y esquinas del juguete al principio de cada temporada de uso.
- Sustituya los componentes defectuosos de conformidad con las instrucciones del fabricante.
- Deseche todo el material de empaque correctamente después de montar la unidad.
- Antes de utilizar el producto, asegúrese de que todas las piezas estén correctamente instaladas.
- Si los producto están expuestos a la luz solar directa, asegúrese siempre de que no estén demasiado calientes para que los niños los usen. Si los producto están calientes, vierta agua fría en los producto hasta que se enfríen y séquelos posteriormente. Revise los producto de forma periódica durante el uso.
- Se recomienda colocar el producto en una posición en la que no se dañen los ojos del niño debido al sol.
- Limpie el producto regularmente con agua y jabón para evitar la acumulación de electricidad estática.
- NO deje este artículo expuesto a vientos fuertes y condiciones meteorológicas adversas.
- NO acople ningún material que no haya sido diseñado específicamente para ser utilizado con este producto, por ejemplo (pero no exclusivamente) cuerdas para saltar, hilo de tendedores de ropa, correas para perros, cables y cadenas, porque podrían provocar el estrangulamiento.
- Este producto debe instalarse sobre superficies que absorban los impactos tales como arena, corteza de madera, goma y espuma.
- Al comienzo de cada temporada de juego: Rastrille y verifique la profundidad de los materiales de revestimiento protector de relleno suelto para evitar su compactación y mantener la profundidad adecuada. Reemplácelos si fuera necesario.
- Al comienzo de cada temporada, así como a intervalos regulares durante la temporada de uso:
 - verifique que todas las tuercas y pernos estén apretados y apriételos cuando sea necesario;
 - lubrique todas las piezas móviles metálicas;
 - verifique que todos los revestimientos y tornillos no tengan bordes afilados y reemplácelos cuando sea necesario.
 - verifique los asientos y otros medios de sujeción para comprobar que no presentan signos de deterioro; reemplácelos cuando sea necesario siguiendo las instrucciones del fabricante; ;
 - Examine todas las piezas metálicas para detectar si están oxidadas. Si así fuera, debe lijar y repintar estas zonas utilizando pintura sin plomo que cumpla la normativa 16 CFR 1303.
- Dos veces al mes durante la temporada de juego:
 - Ajuste todas las piezas.
 - Examine todas las tapas que cubren pernos, tubos, bordes y esquinas. Sustitúyalas si estuvieran sueltas, agrietadas o si faltaran.
 - repase y compruebe la profundidad de los materiales de relleno protectores de la superficie para evitar su compactación y para mantener la profundidad adecuada. Sustitúyalos cuando sea necesario.
- Una vez al mes durante la temporada de juego:
 - Revise todas las partes móviles incluidos los asientos y partes de metal para verificar si están oxidados o deteriorados de alguna otra forma. Reemplácelos según sea necesario.
- Al final de cada temporada de juego o cuando la temperatura descienda por debajo de 32°F / 0°C:
 - Rasque y compruebe la profundidad del material suelto de relleno que compone la superficie protectora, para evitar que este material se compacte y poder mantener la profundidad adecuada. Sustituya cuando sea necesario.
 - Retire el producto y almacénalo en el interior. Cuando hace frío extremado, los materiales plásticos pierden elasticidad y pueden quebrarse y agrietarse con los impactos.
- No utilice alicates para ajustar los tornillos, porque podrían provocar daños en la pintura y el recubrimiento especial anticorrosión.
- Ajuste correctamente todas las tuercas y pernos. Sustitúyalos cuando sea necesario. Si no se examinan con regularidad, los pernos pueden aflojarse o se pueden perder y los componentes podrían desmontarse y provocar lesiones.
- Cuando sea el momento de desmontar y desechar este producto, debe desmontarlo por completo y desecharlo correctamente en un lugar adecuado y de modo que no suponga un peligro para ninguna persona.

INFORMACIÓN PARA EL CONSUMIDOR

Información sobre los materiales de revestimiento del patio de juegos:

Seleccione una superficie protectora - Una de las cosas más importantes que puede hacer para reducir la probabilidad de lesiones graves en la cabeza es instalar una superficie protectora amortiguadora debajo y alrededor de su equipo de juego. La superficie protectora debe ser aplicada a una profundidad que sea adecuada para la altura equipo de acuerdo con la especificación ASTM F 1292. Existen diferentes tipos de superficie para escoger; para cualquier producto que elija, siga estas pautas:

Los materiales de relleno suelto:

Mantener una profundidad mínima de 22,8 centímetros de materiales de relleno sueltos tales como el acolchado de madera, fibra de madera (EWF), o trozos de caucho reciclado para equipos de hasta 2,4 metros de altura; y 22,8 centímetros de arena o gravilla para equipos de hasta 5 pies de altura.

NOTA: Un nivel de llenado inicial de 30,4 centímetros se comprimirá hasta aproximadamente una profundidad de 22,8 centímetros de la superficie a través del tiempo. La superficie también se compactará, desplazará, y debe ser rellenado periódicamente para mantener al menos una profundidad de 22,8 centímetros. Use un mínimo de 15,2 centímetros de superficie protectora para equipos de juego de menos de 1,2 metros de altura. Si se mantienen adecuadamente, esto debería ser lo justo. (A profundidades de menos de 15,2 centímetros, El material protector es fácilmente desplazado o compactado.)

NOTA: No instale el equipo de juego en casa sobre el hormigón, asfalto o cualquier otra superficie dura. Una caída sobre una superficie dura puede provocar lesiones graves al usuario del equipo. La hierba y la suciedad no se consideran superficie protectora debido al desgaste y factores ambientales que pueden reducir la eficacia de la absorción a impactos. Las alfombras y estereras finas no son generalmente una superficie protectora adecuada. Para los equipos al nivel del suelo - como una caja de arena, pared de la actividad, casa de juegos u otro equipo que no tiene una superficie elevada - no se necesita ninguna superficie protectora. Utilícese contención, tal como la excavación de todo el perímetro y / o el revestimiento del perímetro con ribetes. No se olvide de tener en cuenta el drenaje del agua.

Verificar y mantener la profundidad del material de la superficie de relleno suelto. Para mantener la cantidad adecuada de materiales de relleno suelto, marque el nivel correcto de los equipos de juego en los postes de soporte.

De esa manera usted puede ver fácilmente cuando para reponer y / o redistribuir la superficie. No instale relleno suelto sobre superficies duras como el hormigón o el asfalto.

Usted puede estar interesado en el uso de superficies que no sean materiales de relleno suelto -como baldosas de caucho o superficies vertido en el lugar. Las instalaciones de estas superficies en general, requieren un profesional y no son proyectos de "hágalo usted mismo". Revisar las especificaciones de la superficie antes de comprar este tipo de superficie. Pedir al instalador / fabricante para un informe que muestra que el producto ha sido probado con el siguiente estándar de seguridad: ASTM F1292 Especificación Estándar para Atenuación del impacto de Superficies.

Los materiales dentro de la zona de uso de equipos de juegos. Este informe debe mostrar la altura específica para la cual la superficie es usada para proteger de lesiones graves en la cabeza. Esta altura debe ser igual o mayor que la altura de caída - distancia vertical entre una superficie designada de juego (superficie elevada para estar de pie, sentado o escalada) y la superficie protectora abajo - de su equipo de juego. Compruebe la superficie protectora con frecuencia en busca de desgaste.

Colocación - La correcta colocación y el mantenimiento de una superficie protectora son esenciales. Asegúrate de:

Extender la superficie por lo menos 15,2 centímetros de distancia de los equipos en todas las direcciones.

Esta información ha sido extraída de las publicaciones CPSC "Superficie de los Parques – Información Técnica Guía Informativa" y "Manual sobre Seguridad en los Parques Públicos." Puede obtener una copia de estos documentos enviando una tarjeta a: Office of Public Affairs, U.S. Consumer Product Safety Commission, Washington, DC 20207 o llamando al teléfono gratuito: 1-800-638-2772.

Seleccione una ubicación nivelada para el equipo. De este modo, se puede reducir la probabilidad de que el juguete vuelque y que los materiales sueltos de la superficie sean arrastrados por la lluvia, en caso de tormentas.

Coloque las plataformas metálicas y los toboganes fuera de la luz directa del sol para evitar posibles quemaduras graves. El tobogán que esté orientado hacia el norte recibirá el mínimo de la luz directa del sol.

Asegúrese de proporcionar suficiente espacio para que los niños puedan utilizar el equipo de modo seguro.

Estos artículos podrían provocar la muerte por estrangulación.

Hoja Informativa para el Consumidor sobre los materiales de la superficie de Parques

La altura máxima de caída para este producto es 2 ft 6 inch (781mm)

La Comisión sobre Seguridad en los Productos de Consumo de EEUU (CPSC) estima que anualmente en las urgencias de los hospitales de EEUU se atienden alrededor de 100.000 lesiones producidas por caídas al suelo desde equipamiento de juegos de jardín. Las lesiones ocasionadas por este tipo de accidentes tienden a ser las más peligrosas entre todas las lesiones producidas en equipamiento de juegos de jardín, y podrían ser mortales, especialmente cuando las lesiones se producen en la cabeza. La superficie debajo y alrededor del equipamiento de juegos de jardín es un factor clave a la hora de determinar las posibles lesiones de una caída. Es evidente que la caída sobre una superficie amortiguadora de golpes tiene menos probabilidad de provocar lesiones graves que una caída sobre una superficie dura. El equipamiento de juegos de jardín nunca se debe colocar en una superficie dura, como el cemento o asfalto, y aunque la hierba podría parecer una superficie aceptable, rápidamente se convertirá en zonas de tierra dura cuando exista mucho tránsito. Una capa de trozos de corteza de árbol, astillas de madera, arena fina o gravilla fina son superficies aceptables para la amortiguación de golpes cuando se instalan y se mantienen a suficiente profundidad debajo y alrededor del equipamiento de juegos de jardín.

La tabla B. 1 indica la altura máxima desde la que no sería previsible que un niño sufriera una lesión severa en la cabeza al caer sobre una superficie con uno de los cuatro materiales de relleno mencionados, siempre que se instalen y mantengan a profundidades de 150mm, 225mm y 300mm.

Tabla B.1 – Altura de caída en milímetros desde la que no sería previsible que se produjera una lesión mortal en la cabeza

Tipo de Material	Profundidad del material de superficie		
	150 mm	225 mm	300 mm
Trozos de corteza de árbol	1800	3000	3300
Astillas de madera	1800	2100	3600
Arena fina	1500	1500	2700
Gravilla fina	1800	2100	3000

No obstante, hay que reconocer que es imposible evitar por completo las lesiones de cabeza provocadas por caídas, independientemente del tipo de material de superficie utilizado.

Es recomendable que el material amortiguador cubra como mínimo 1800mm en todas las direcciones desde el perímetro del equipamiento fijo como por ejemplo estructuras para trepar y toboganes. No obstante, debido a que los niños podrían saltar de un columpio en movimiento, el material amortiguador de golpes debe extenderse hacia la parte delantera y posterior de un columpio hasta una distancia mínima equivalente al doble de la altura del punto de rotación medido a partir de un punto directamente debajo del eje de la estructura de soporte.

El propósito de esta información es ayudarle a comparar las propiedades amortiguadores relativas de distintos materiales. No se recomienda un determinado material frente a otro. No obstante, cada material será efectivo solo con un mantenimiento adecuado. Los materiales se deben examinar con regularidad y se debe rellenar para mantener la profundidad correcta tal y como se determina necesario para el equipamiento en cuestión.

La selección de un material depende del tipo y la altura del equipamiento, la disponibilidad de material en una determinada zona, y su coste.

Esta información ha sido obtenida de las publicaciones de CPSC "Superficies de las Áreas de Juego – Guía de Información Técnica" y el Folleto para la Seguridad en Parques Públicos".