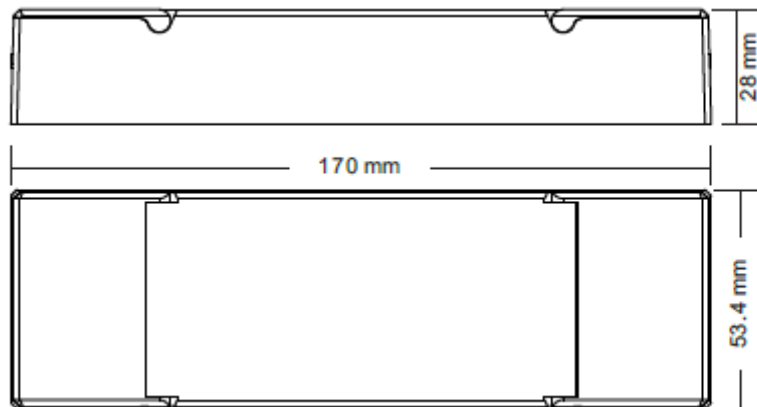


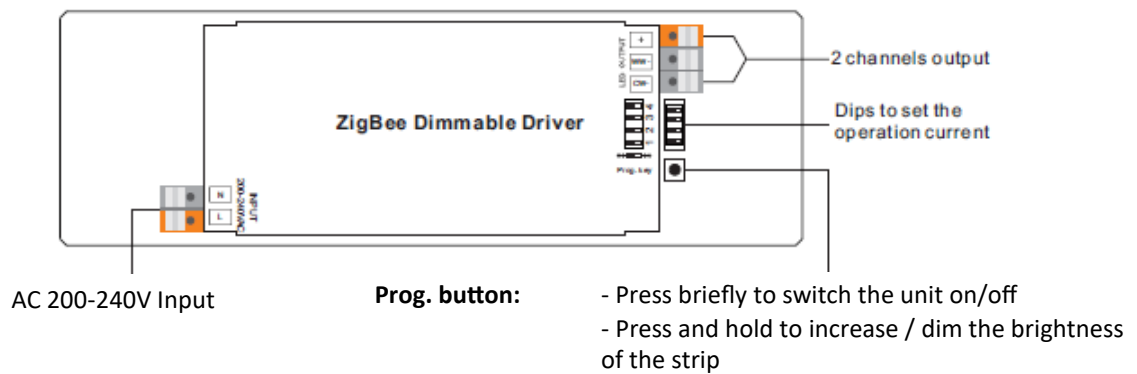
Technical Data

INPUT	Voltage Range	200-240VAC
	Frequency Range	50/60Hz
	Power Factor (typ.)	>0.9@230VAC
	Total Harmonic Distortion	THD ≤ 15% (@ full load /230VAC)
	Efficiency typ.	83% @ 230VAC full load
	AC Current (typ)	0.17A @ 230VAC
	Inrush Current (typ)	Cold start max. 2A@230VAC
	Leakage Current	< 0.5mA/230VAC
OUTPUT	LED Channel	2
	Selectable Current	250mA/300mA/350mA/400mA/450mA/500mA/600mA/ 700mA/800mA/900mA/1000mA/1100mA/1200mA/1300mA/ 1400mA/1500mA
	DC Voltage range	8-48VDC
	Rated Power	30W/CH, CH1+CH2=<30W
PROTECTION	Short Circuit	Yes, recovers automatically after fault condition is removed
	Over Temperature	Yes, recovers automatically after fault condition is removed
CONTROL	Dimming Interface	ZigBee 3.0, TouchLink
	Dimming Range	0.1% - 100%
	Dimming Methode	PWM, 1.5kHz
	Dimming Curve	Logarithmic
ENVIRONMENT	Working Tempetrature	-20°C - + 45°C
	Max. Case Temperature	85°C (Ta=45°C)
	Working Humidity	10%-95% RH non-condensing
	Storage Temperature	-40°C - +80°C
	Storage Humidity	10% - 95% RH
	IP Rating	IP20 (suitable for indoor LED lighting applications)
Safety & EMC	Safety Standards	ENEC EN61347-1, EN61347-2-13 approved
	Withstand Voltage	I/P-O/P: 3.75KVAC
	EMC Emission	EN55015, EN61000-3-2, EN61000-3-3
	EMC Immunity	EN61547, EN61000-4-2,3,4,5,6,8,11, , surge immunity Line-Line 1KV
Others	MTBF	189400H, MIL-HDBK-217F @ 230VAC at full load and 25°C ambient temperature
	Dimension	170 x 53.4 x 28mm
	Warranty	5 years

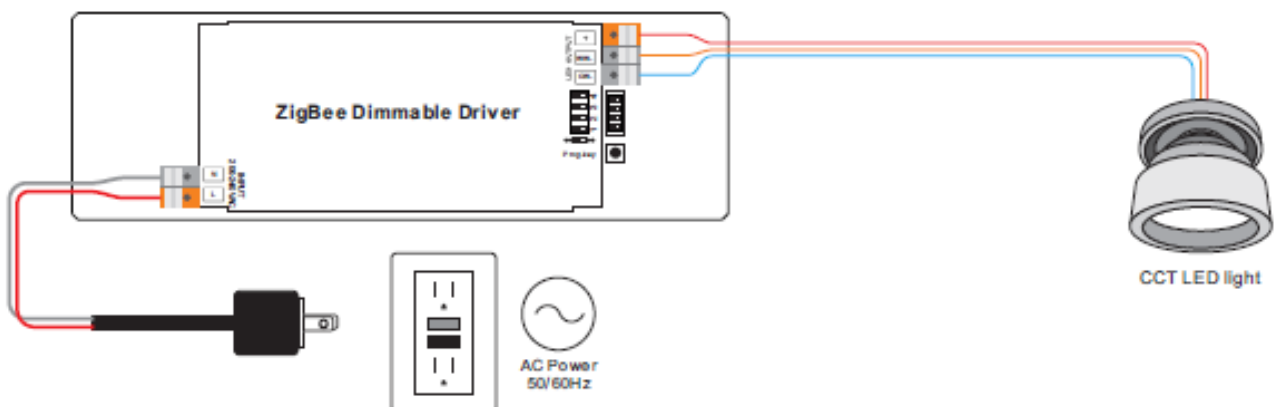
Product Dimension



Functions



Wiring Diagram

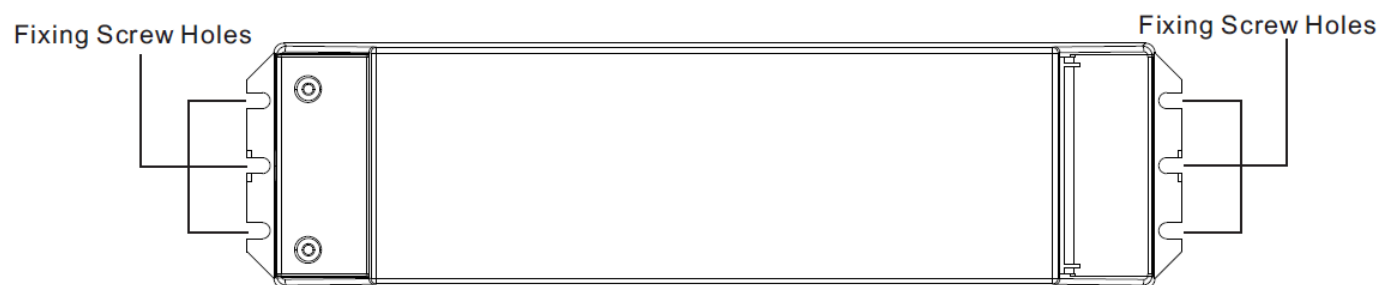


The ZigBee device is a wireless receiver that communicates with various ZigBee compatible systems.

Installation

SAFETY AND WARNINGS

- Do not install the unit when it is connected to the mains.
- Do not expose the unit to moisture (incl. splashing or dripping water).



- Approved cable diameter: AWG16—AWG20 / 0.5mm²-1.5mm²

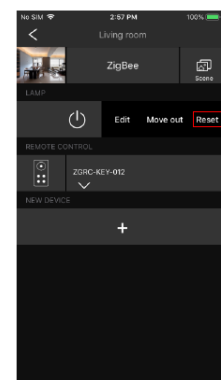
0.5-1.5mm² (AWG20-16)



6-7mm (0.24-0.28in)

Connecting to / disconnecting from the ZigBee network

1. If the device was already in operation, remove the device from a previous ZigBee network. To do this, follow point A "Removing a device from a ZigBee network".
2. In your ZigBee controller/hub programme, select "add lighting" and activate the pairing mode. The exact instructions for this can be found in the manual of the hub/controller.
3. Disconnect the unit from the mains for 15 seconds and then reconnect it.
4. The connected LED strip will flash 5 times and then light up. You will now find the device in the controller menu and can operate it. In the Philips Hue app, the light is displayed as Extended colour light.

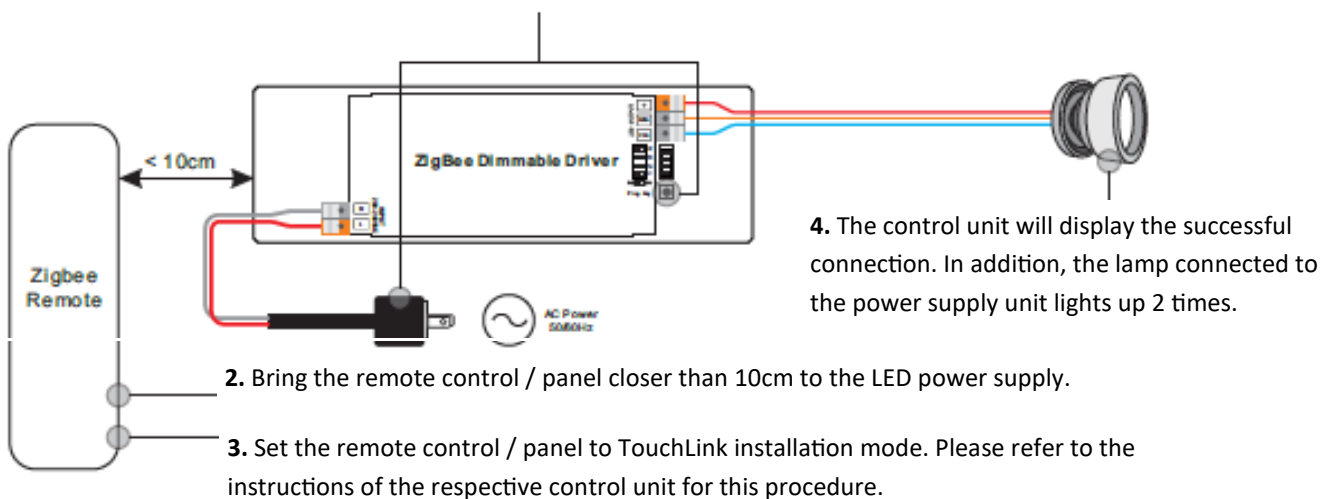


A: Remove the device from the ZigBee network: In the menu of your controller, select "delete or reset lighting". If the connected strip then lights up three times, the deletion process was successful.

Connecting via TouchLink with a ZigBee remote control

1. Method 1: Press the Prog. button 4 times in succession (or disconnect the unit from the mains 4 times). The connected strip flashes 2 times. You have 180s for the further steps.

Method 2: Disconnect the unit from the power supply and reconnect it. If the unit is not integrated in a ZigBee network, the connection mode starts after 15s. 165s remain for the further steps. If the unit is integrated in a ZigBee network, the unit is in connection mode immediately after plugging it in. 180s remain for the remaining steps.

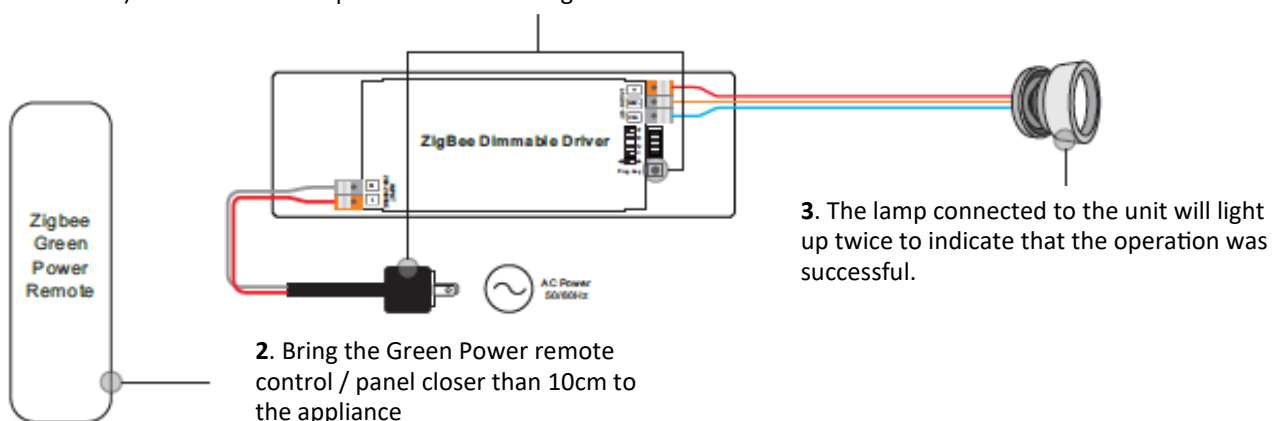


If the remote control and the receiver only communicate via TouchLink (not in a ZigBee network), a receiver can be connected to a maximum of one remote control. If the receiver and remote control are in a ZigBee network, a receiver can be connected to a maximum of 30 remote controls.

When using Hue Bridge & Amazone Echo Plus, the remote control and the power supply must be registered in the network before the TouchLink installation.

Connecting to a ZigBee Green Power remote control / panel

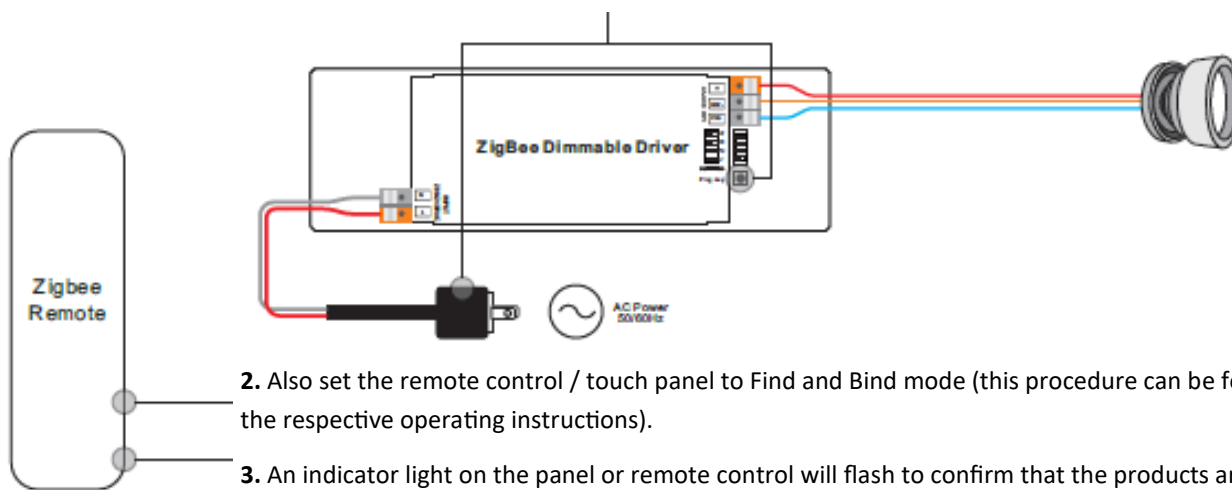
1. Press the Prog. button 4 times in quick succession (or disconnect the unit from the mains 4 times in succession and reconnect it). You have 180s to perform the following actions.



Info: Each unit can be connected to a maximum of 20 ZigBee Green Power remote controls / panels.

Find and Bind Mode

1. Press the Prog. button 3 times in quick succession (or disconnect the unit from the mains 3 times) to start the Find and Bind mode (the Connected light flashes slowly). You now have 180 seconds for the following actions.

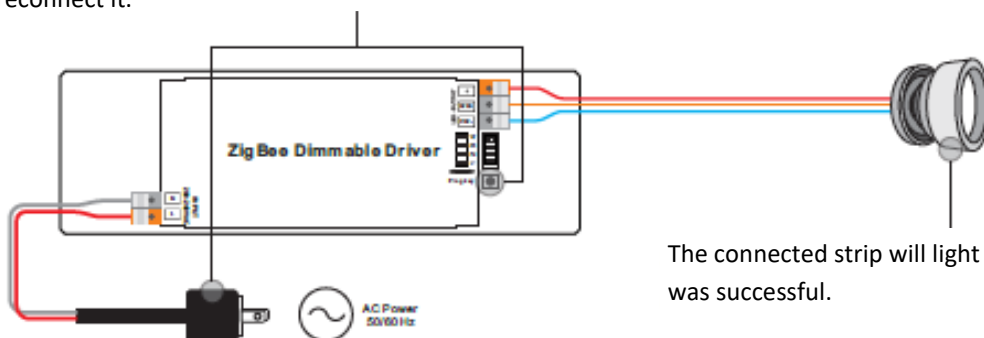


2. Also set the remote control / touch panel to Find and Bind mode (this procedure can be found in the respective operating instructions).

3. An indicator light on the panel or remote control will flash to confirm that the products are now connected.

Manually reset to factory settings

1. Press the Prog. button on the unit 5 times in quick succession or disconnect the unit from the mains 5 times in succession and reconnect it.



The connected strip will light up 3 times if the operation was successful.

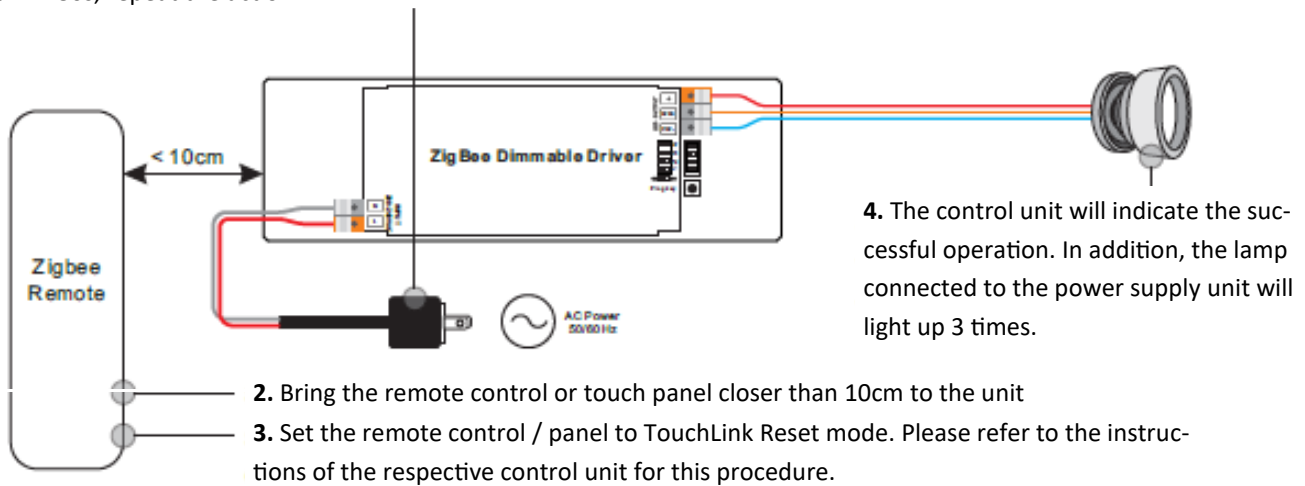
If the unit is already set to factory default, the strip will not light up during the reset procedure.

If the unit is removed from a network or reset, all configurations will be lost.

Disconnecting a ZigBee TouchLink remote control

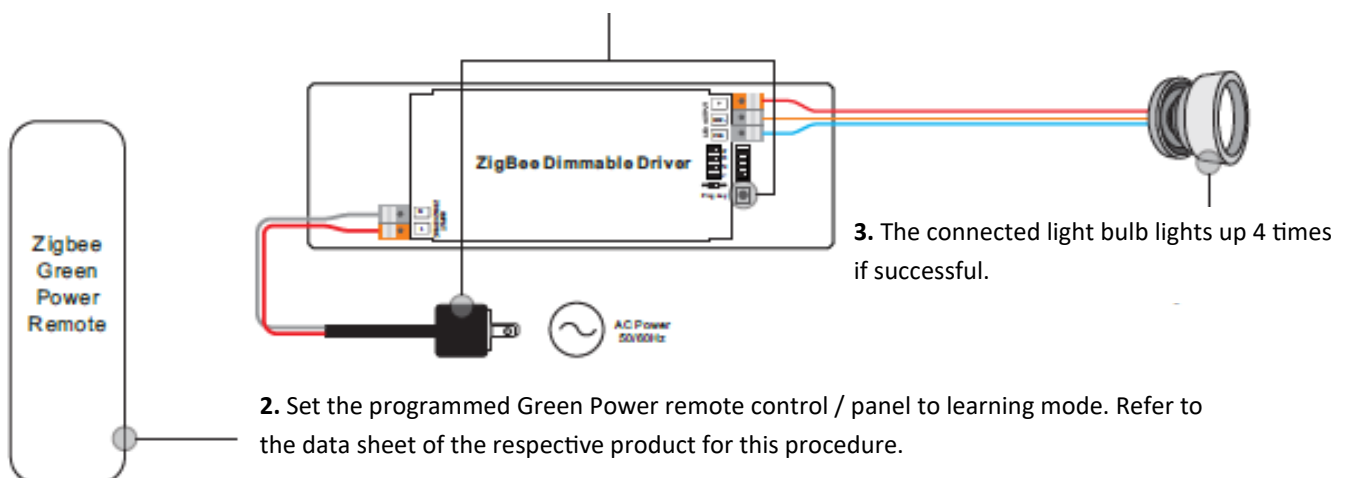
Check that the unit is on a network. The remote control must be integrated in the same network or not connected to any other network.

1. Disconnect the unit from the mains and reconnect it after 15 seconds. If you could not perform the following actions within 180s, repeat the action.



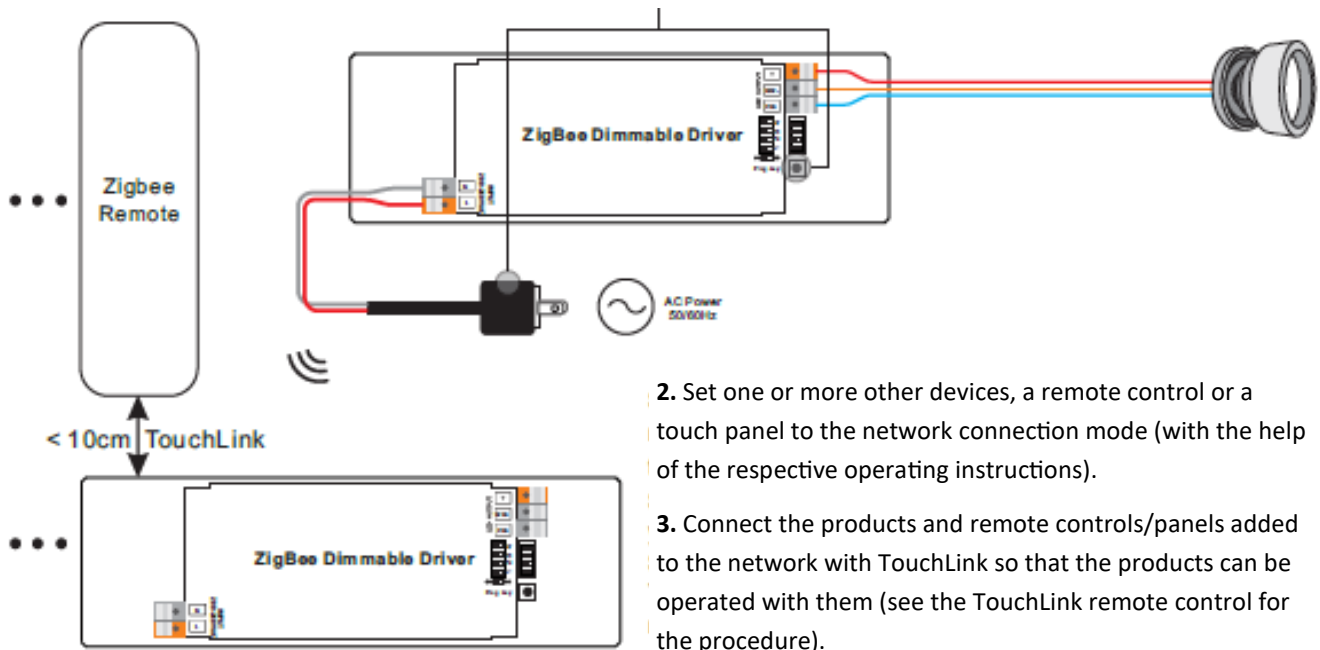
Disconnect from a Green Power remote control

1. Press the Prog. button 3 times in quick succession (or disconnect the unit from the power supply 3 times and reconnect it). You have 180s for the following actions.



Create a ZigBee network & integrate other products to the network without a hub

1. Press the Prog. button 3 times in quick succession (or disconnect the unit from the power supply 3 times and reconnect it). You have 180s for the following actions.



2. Set one or more other devices, a remote control or a touch panel to the network connection mode (with the help of the respective operating instructions).

3. Connect the products and remote controls/panels added to the network with TouchLink so that the products can be operated with them (see the TouchLink remote control for the procedure).

Info: 1. each unit can be operated / linked with a maximum of 30 remote controls.

2. each remote control can be linked to a maximum of 30 devices and control a maximum of 30 devices.

ZigBee clusters supported by the unit

Input Clusters:

- 0 x 0000: Basic
- 0 x 0003: Identify
- 0 x 0004: Groups
- 0 x 0005: Scenes
- 0 x 0006: On/Off
- 0 x 0008: Level Control
- 0 x 0300: Color Control
- 0 x 0b05: Diagnostics

Output Clusters:

- 0 x 0019: OTA

OTA devices support firmware updates via OTA and automatically obtain new firmware from the ZigBee controller or hub every 10 minutes.