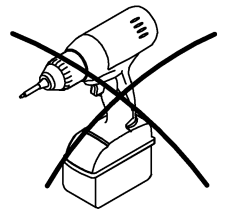
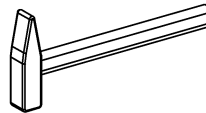
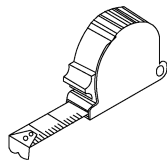
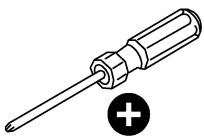
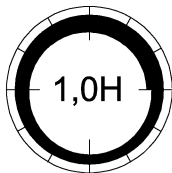
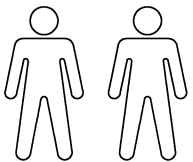
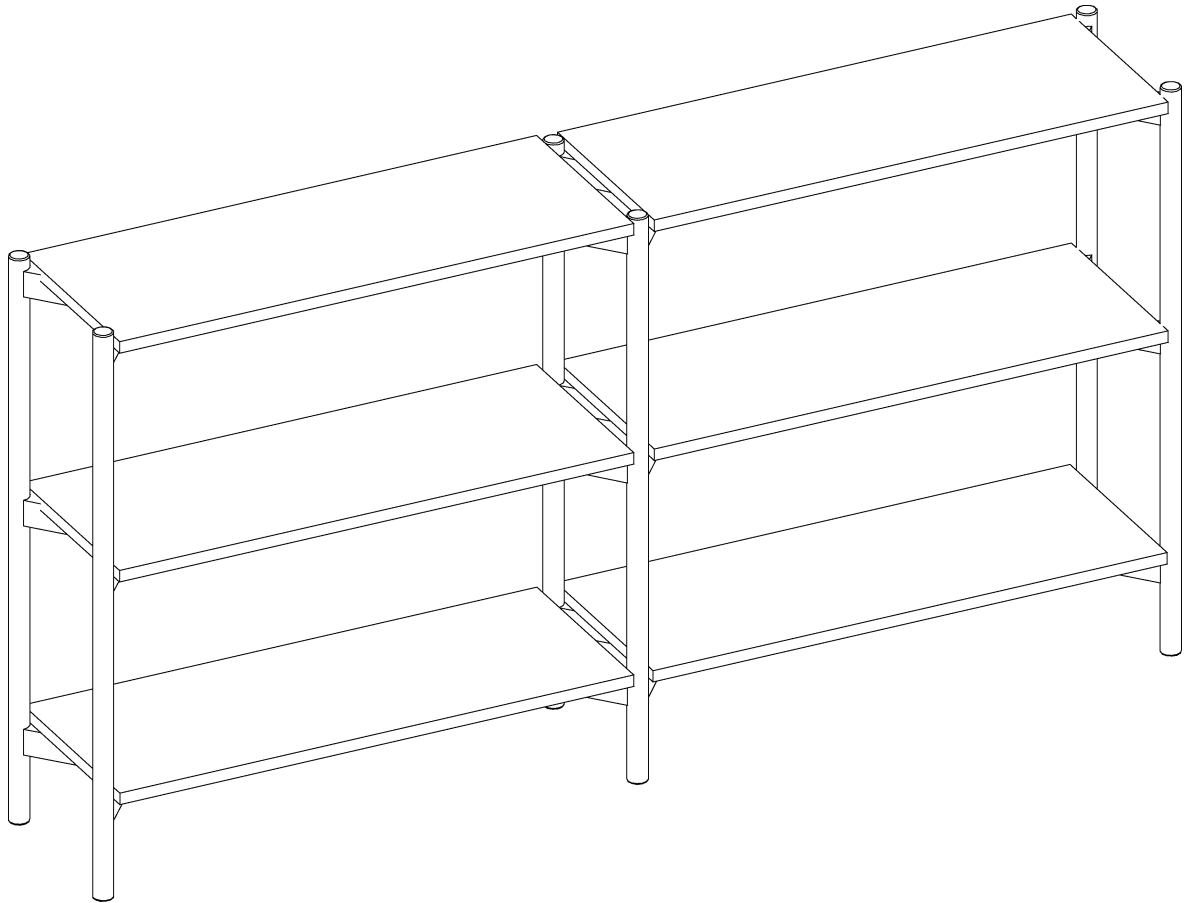
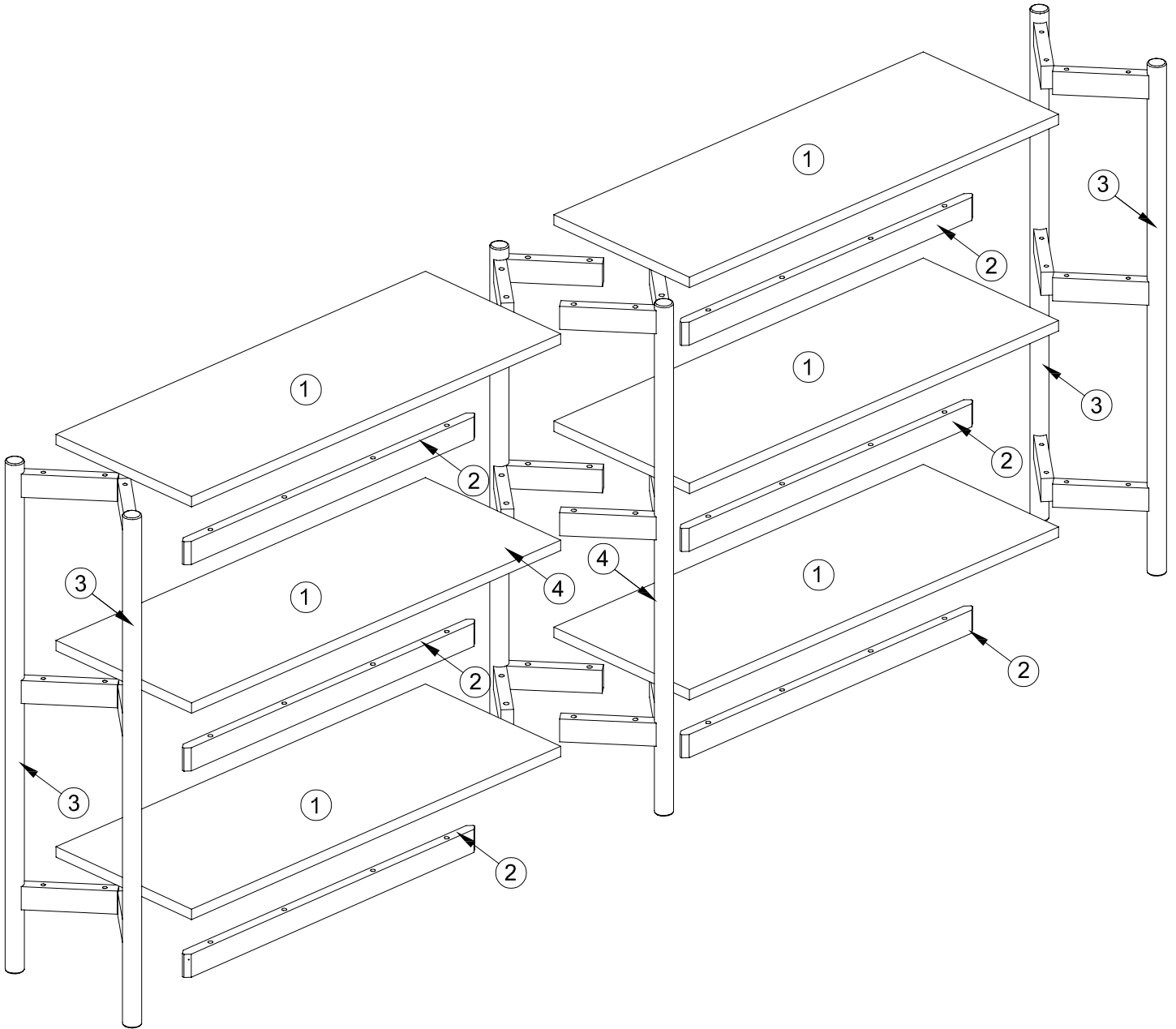
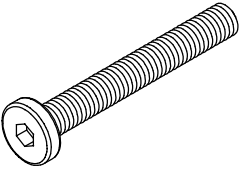
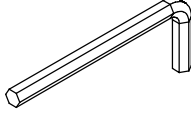
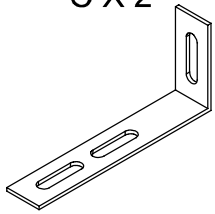
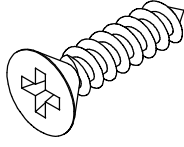
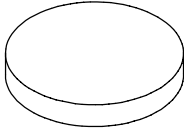
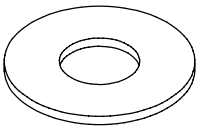


# KIMO

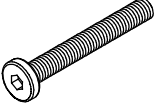

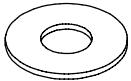


			✓
①	6	800x300x18	
②	6	630x40x18	
③	4	885x176x30	
④	2	885x176x176	

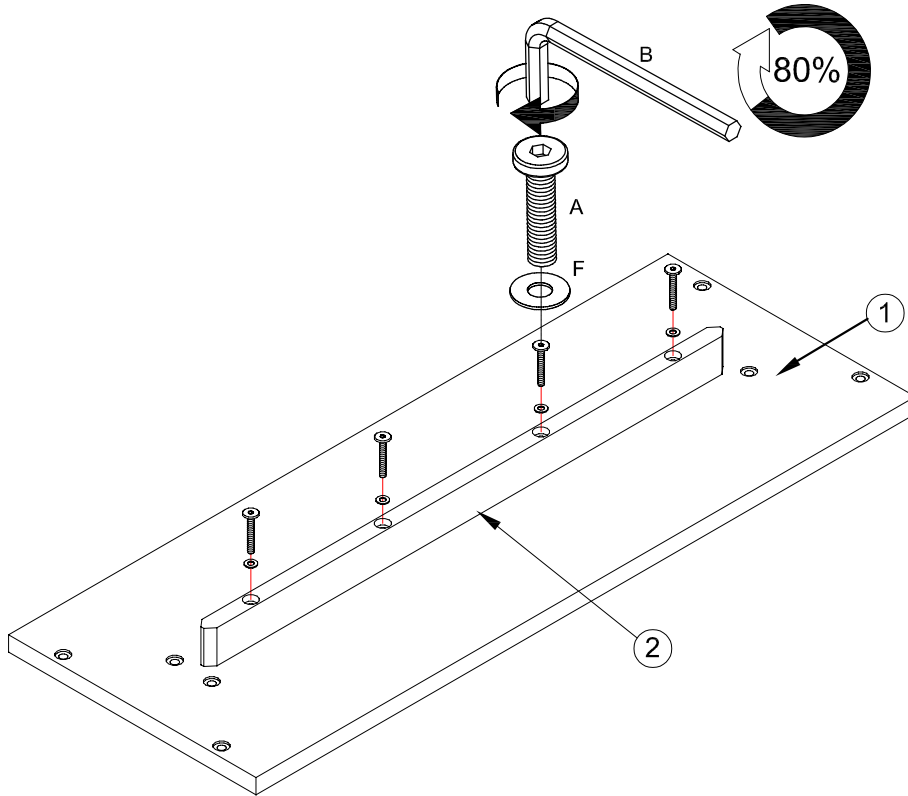


<p>A X 72</p>  <p>M6X45 mm</p>	<p>B X 1</p>  <p>4 mm</p>	<p>C X 2</p>  <p>85X30X15 mm</p>	<p>D X 4</p>  <p>Ø3.5X14 mm</p>	<p>E X 6</p>  <p>Ø25X3 mm</p>
<p>F X 24</p>  <p>Ø6/Ø12 mm</p>				

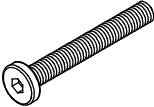
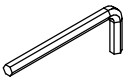
# 1

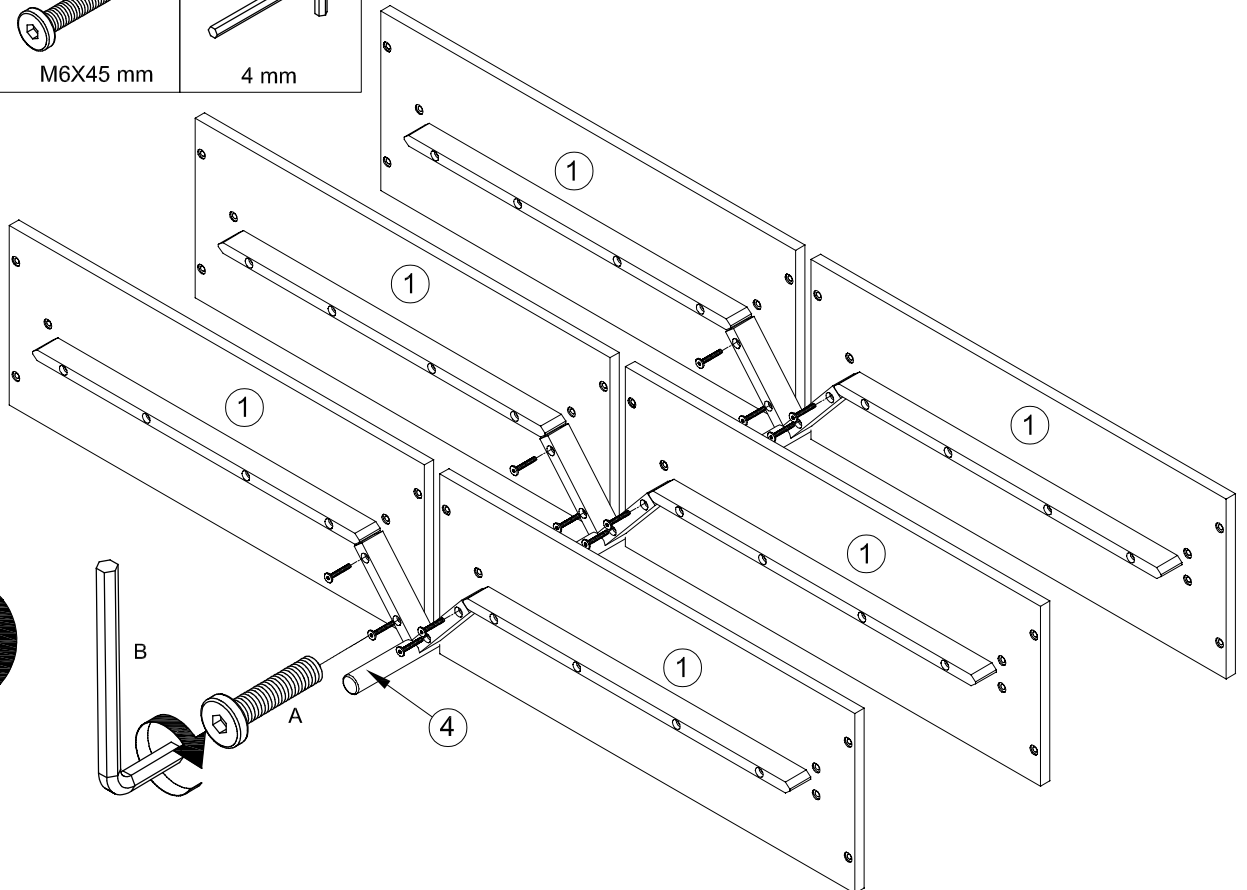
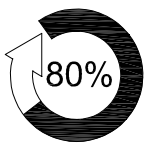
A X 24  M6X45 mm	B X 1  4 mm	F X 24  Ø6/Ø12 mm
---	--	--

x6

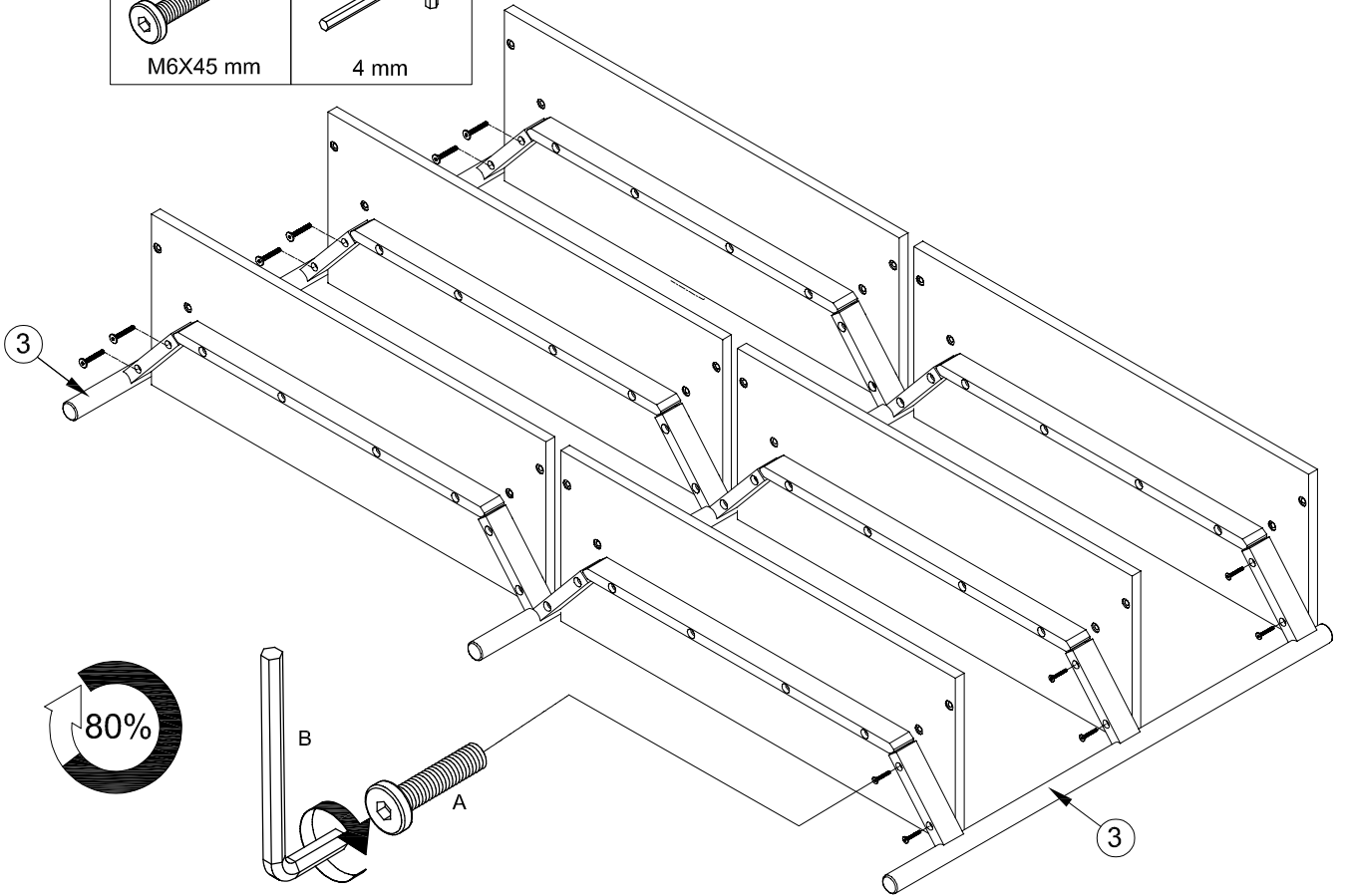
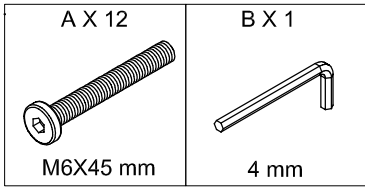


# 2

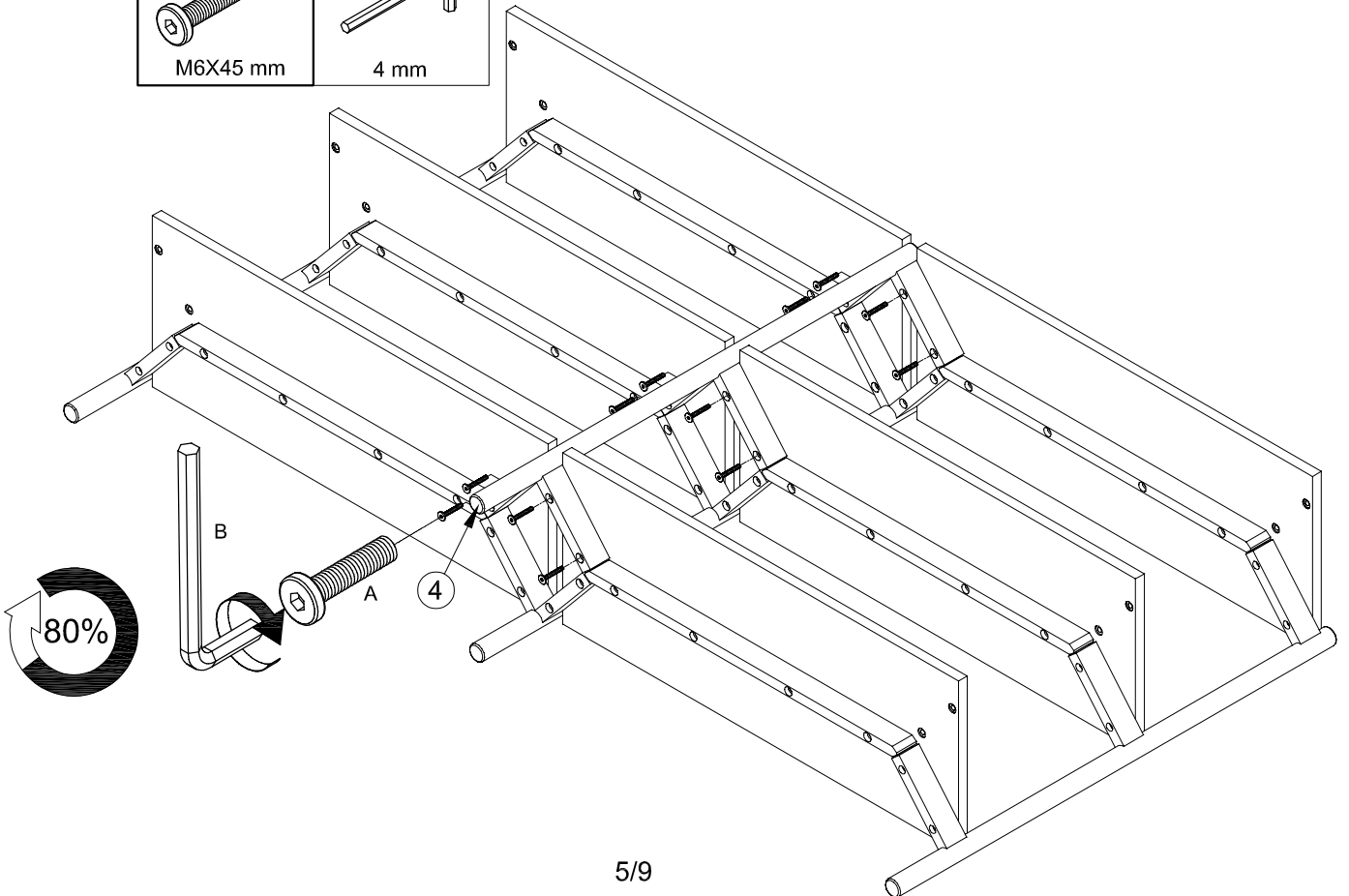
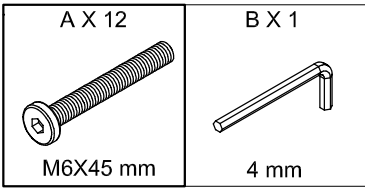
A X 12  M6X45 mm	B X 1  4 mm
---	--



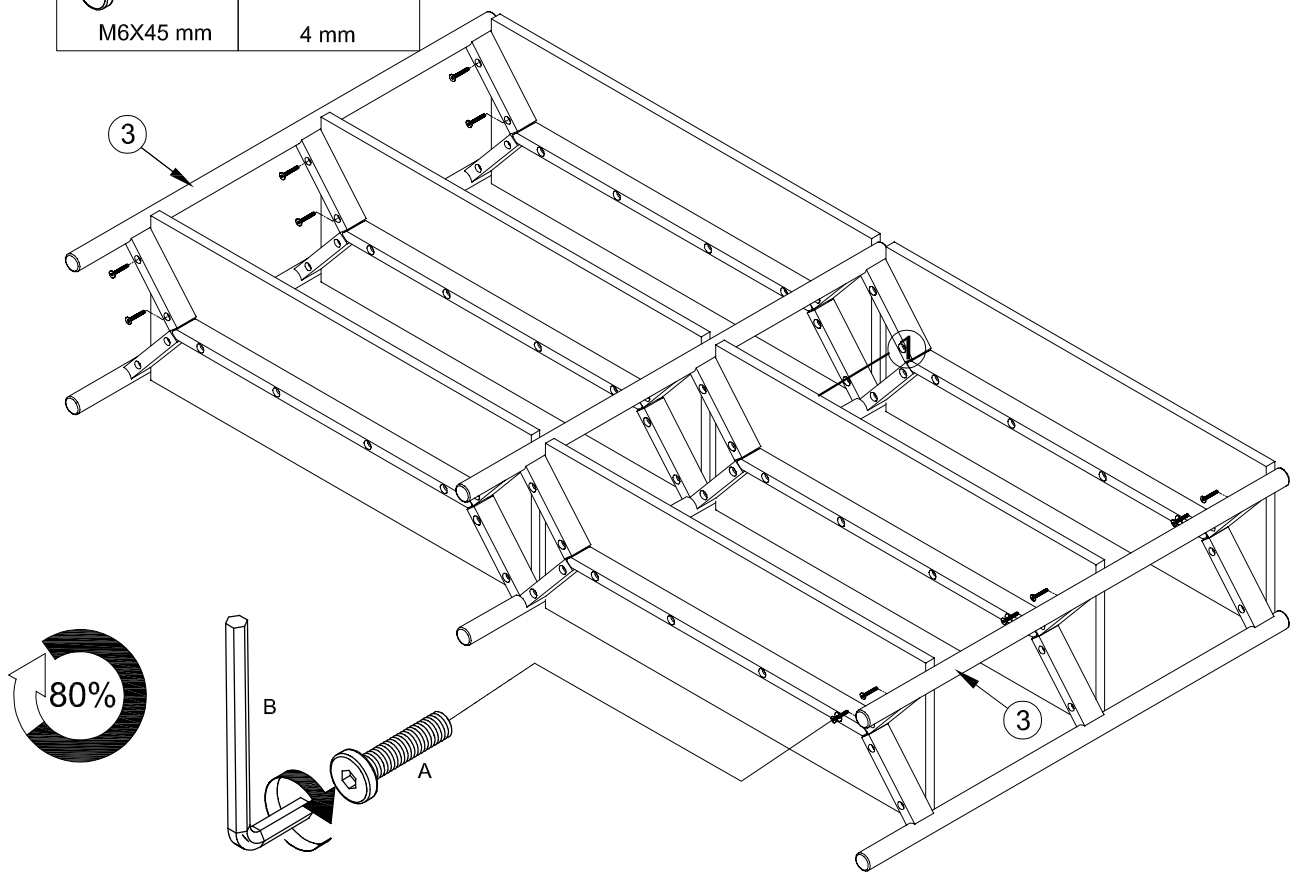
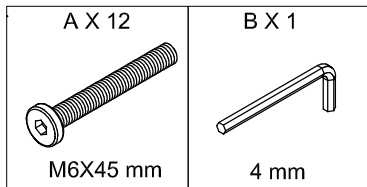
# 3



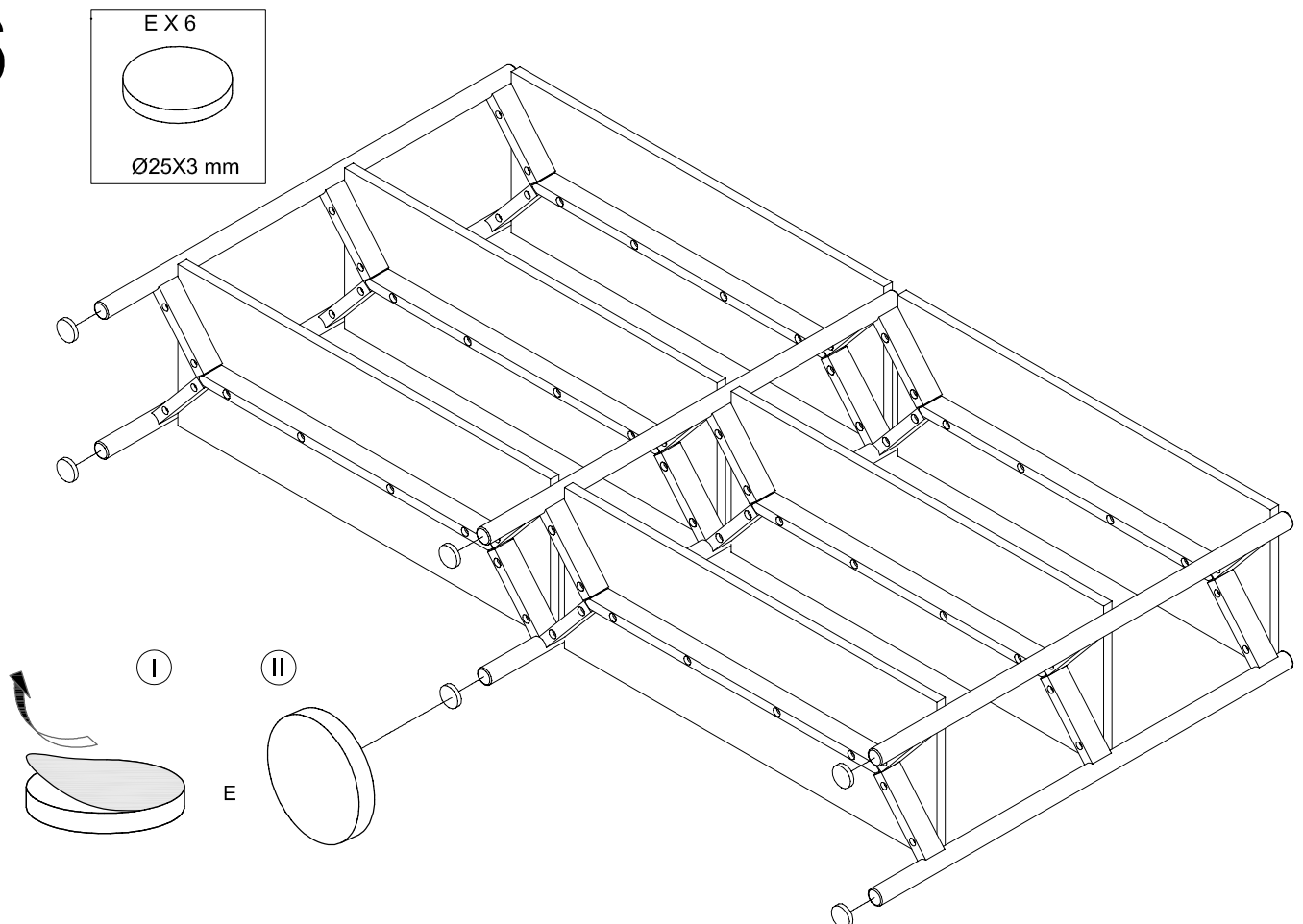
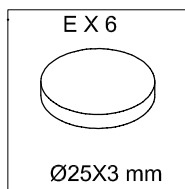
# 4



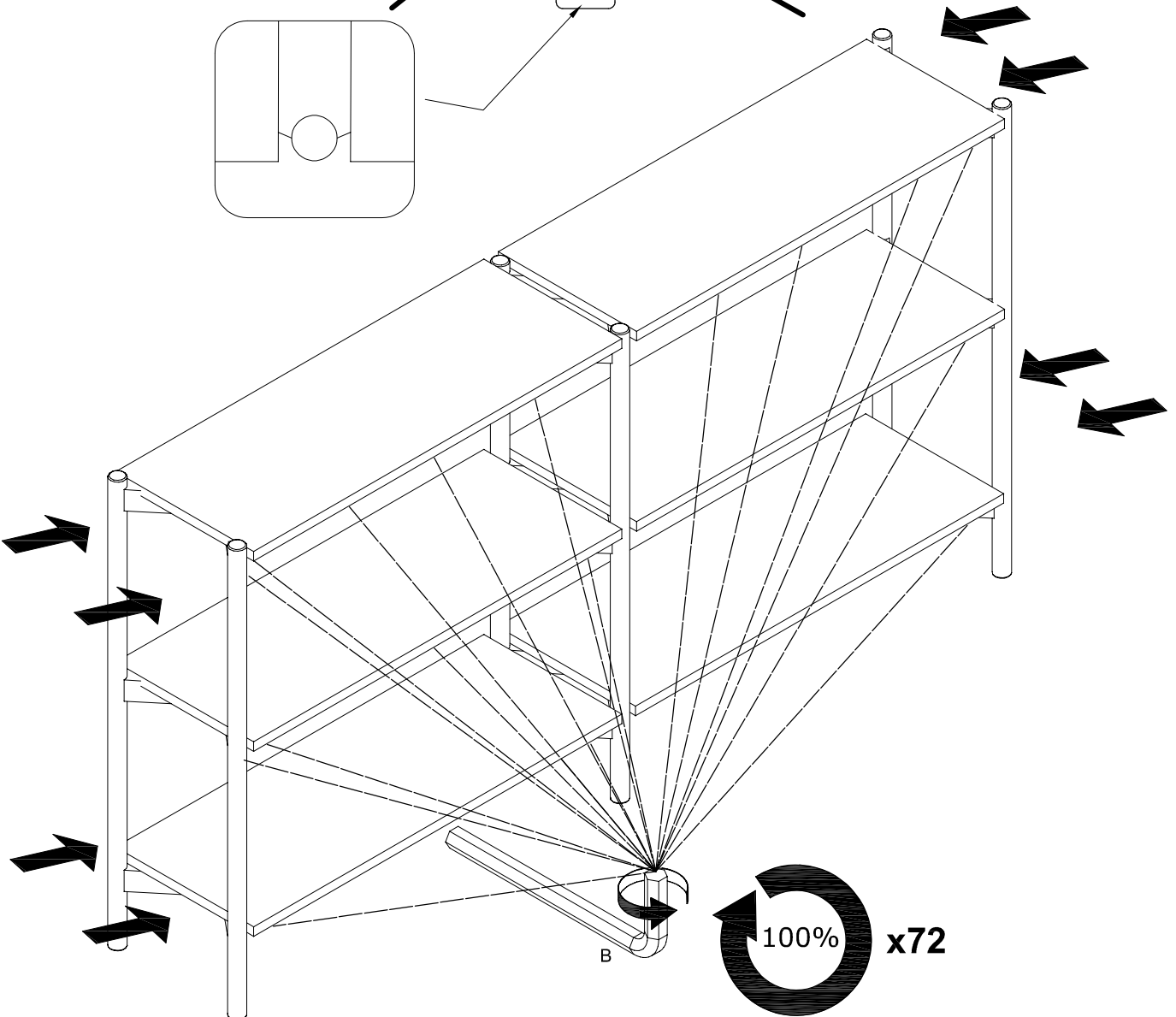
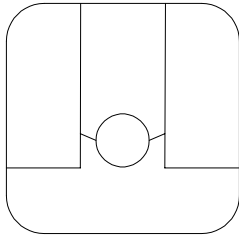
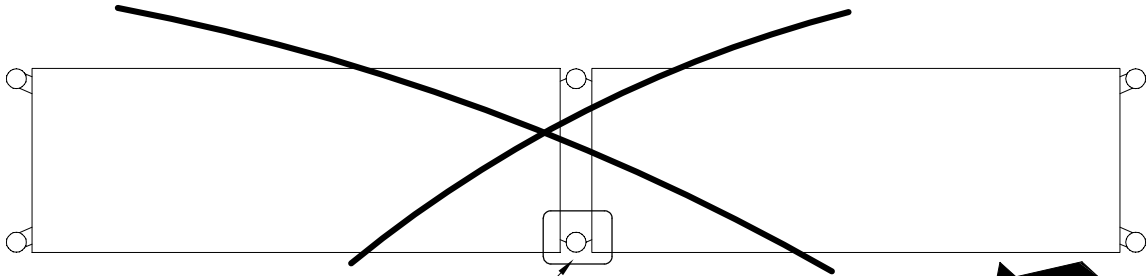
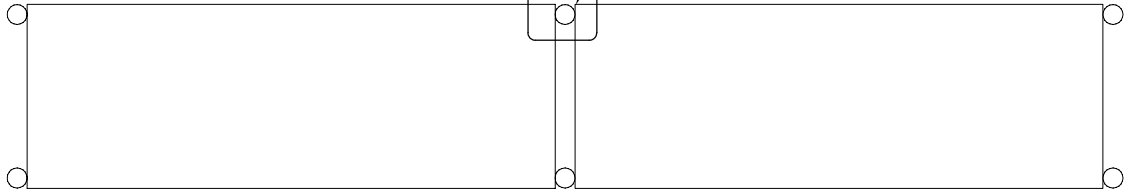
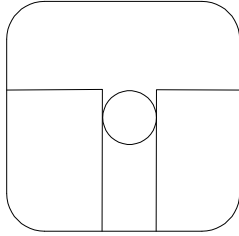
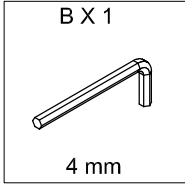
# 5



# 6



7



8

