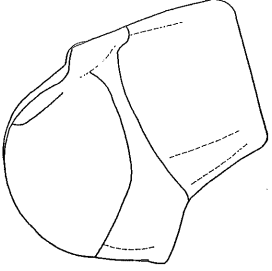
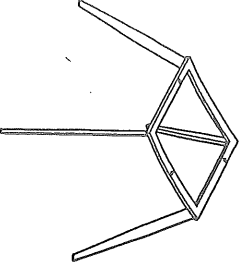

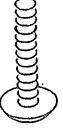
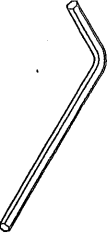


Accessories

Model No: EC14005 Assembly Instruction

1	 1PC
2	 1PC
3	 3PCS
4	 3PCS M6*25
5	 1PC

