

⇒ Andres

TDL 100 - Moro

Combination examples

Chair 2000



Chair 2000



Chair 2000



Footrest 2050



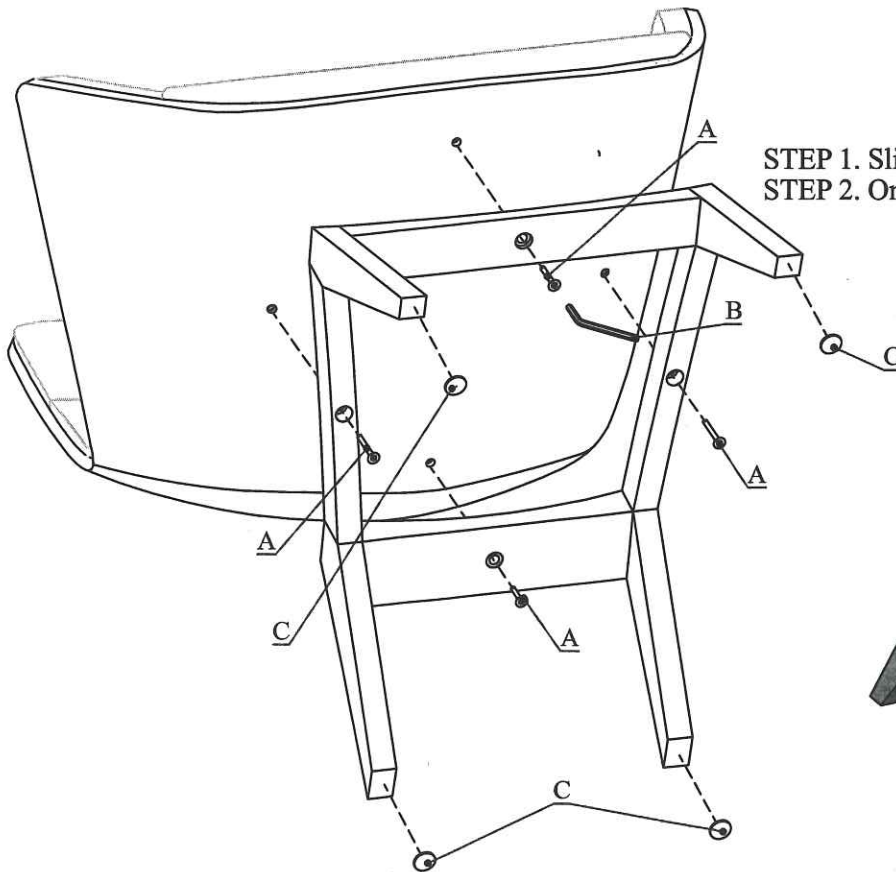
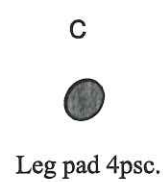
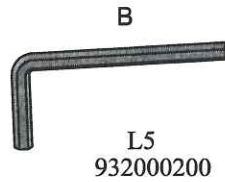
Footrest 2050



Footrest 2050

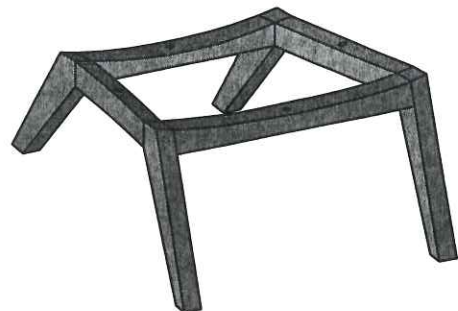


Legs attachment - leg 33310260003 / 33310260001



STEP 1. Slightly screw all bolts
STEP 2. Only then screw all bolts by 100%.


Leg oak oiled 33310260003
Leg birch black 33310260001

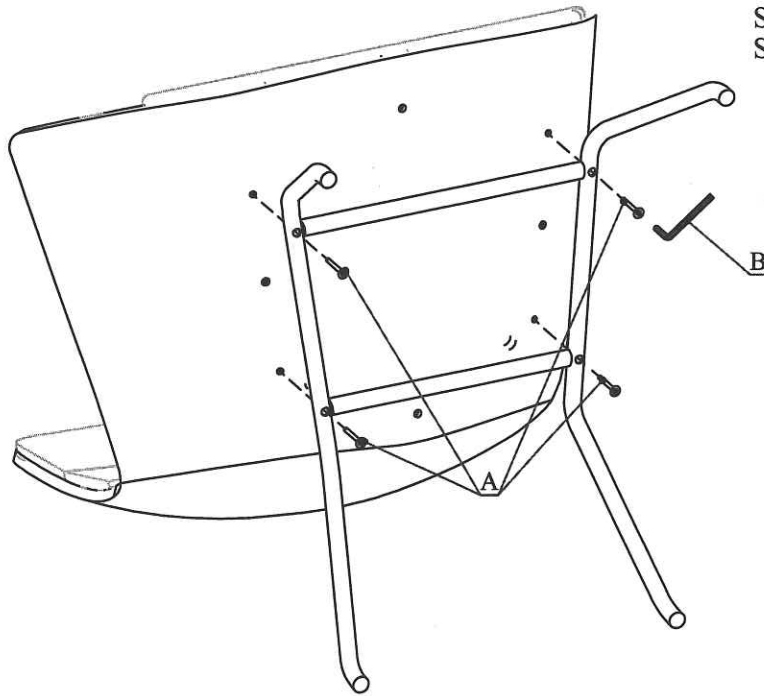


Legs attachment - leg 33310260010 / 33310260011

A

 M6 x 25mm 4psc.
 932000204

B

 L4 key
 932000329



STEP 1. Slightly screw all bolts
 STEP 2. Only then screw all bolts by 100%.

Leg metal shiny chrome
 33310260010
 Leg metal matt chrome
 33310260011



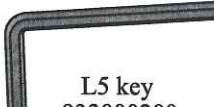
Legs attachment - leg 33310260050

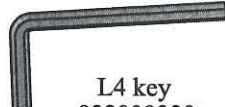
A

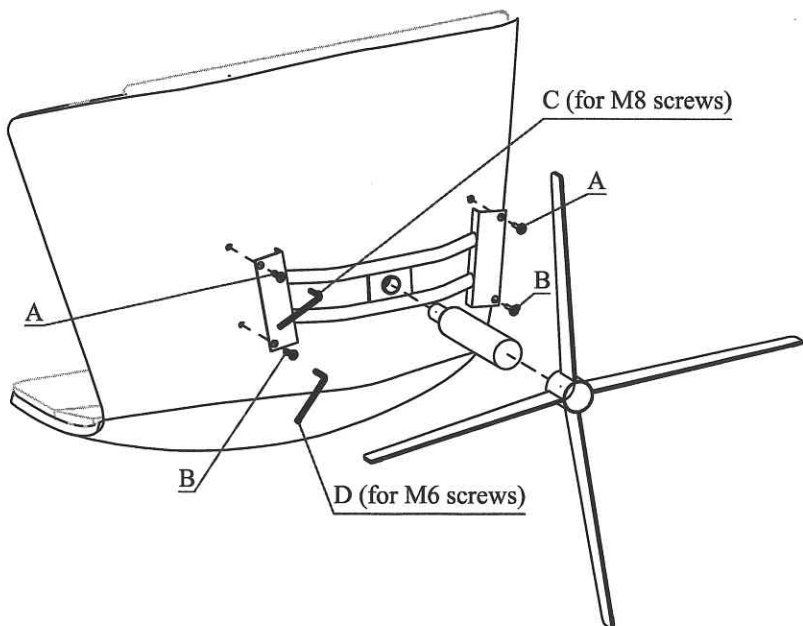
 M8 x 30mm 2psc.
 932000304

B

 M6 x 30mm 2psc.
 932000272


C

 L5 key
 932000200

D

 L4 key
 932000329



Set of leg 33310260050:

Bridge
 930031023


Center pipe
 930031022


Leg base
 333103505
