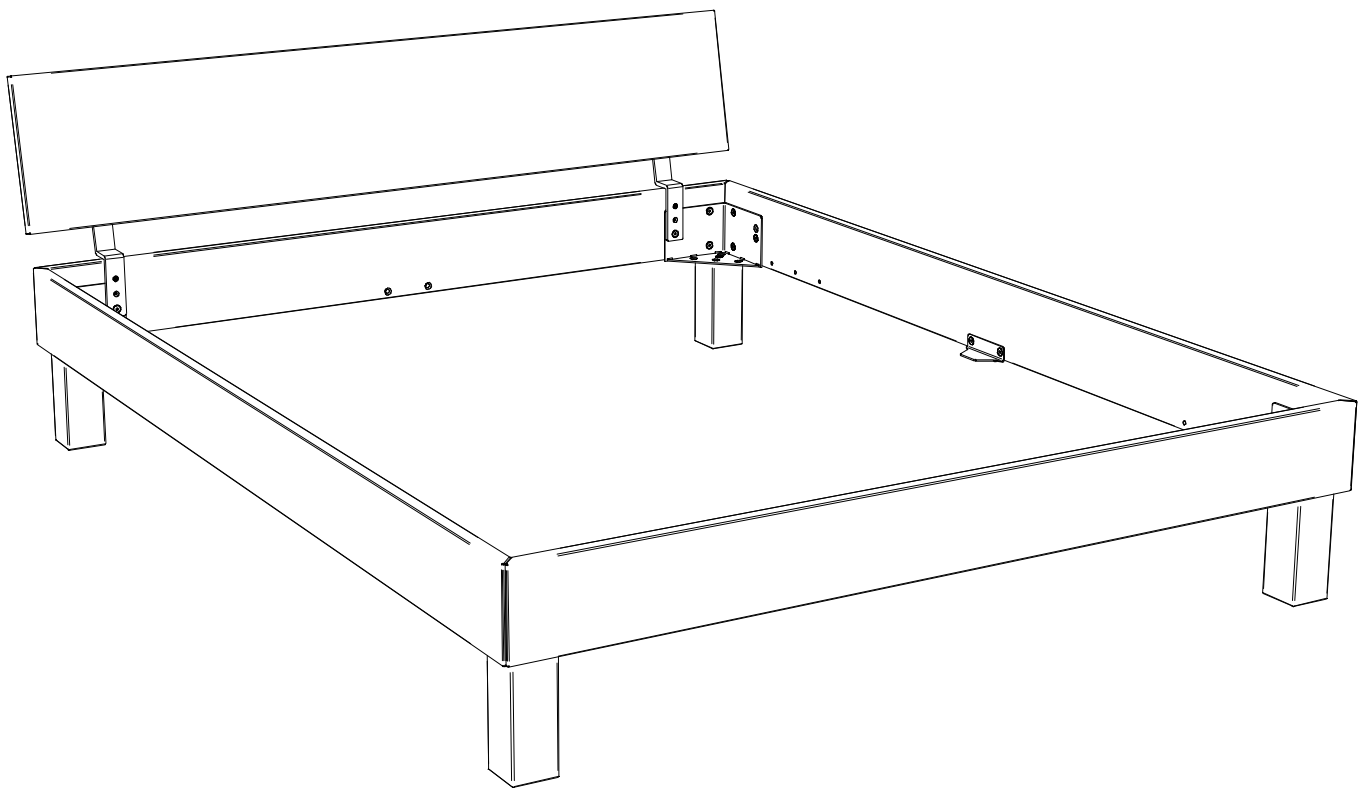
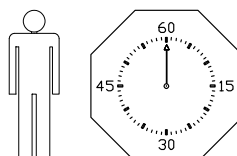
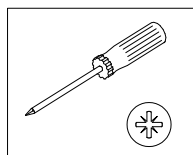


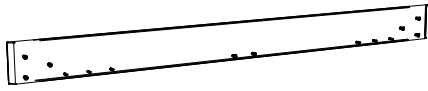
Forti



Benötigte Werkzeuge – Outils Nécessaires – Tools Required – Attrezzi Necessari



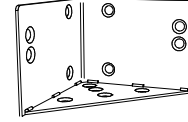
A x2



B x2

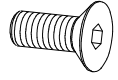


C x4



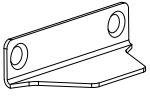
630.10142

D x26
M8x20



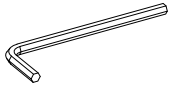
631.87200

E x2

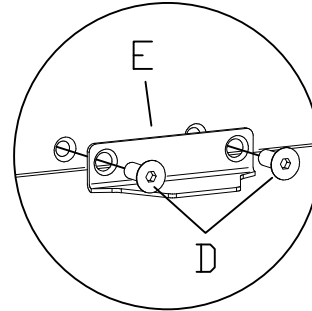


630.09942

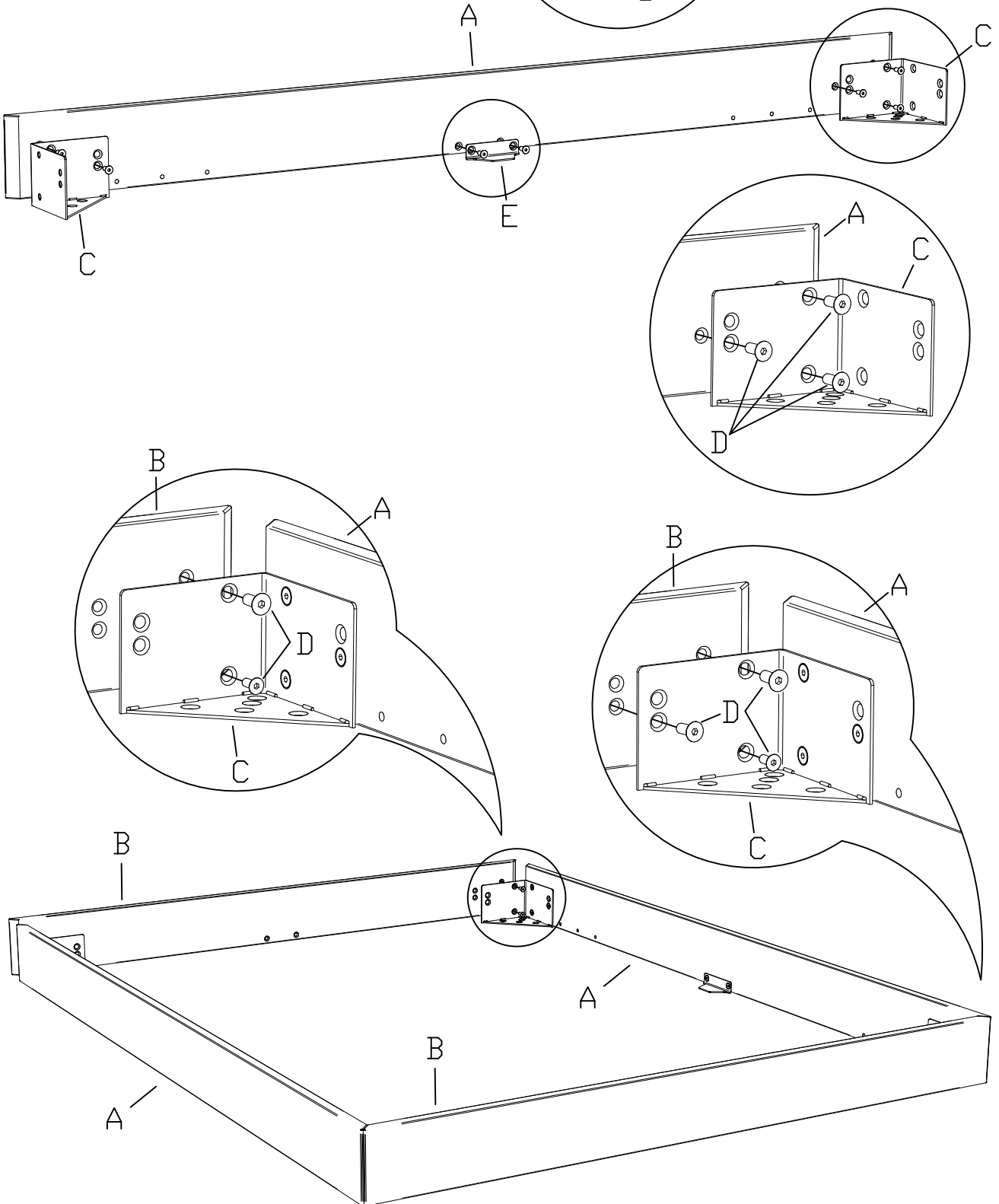
Z x1



631.10000



1.

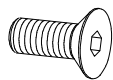


660.01132

F ×4

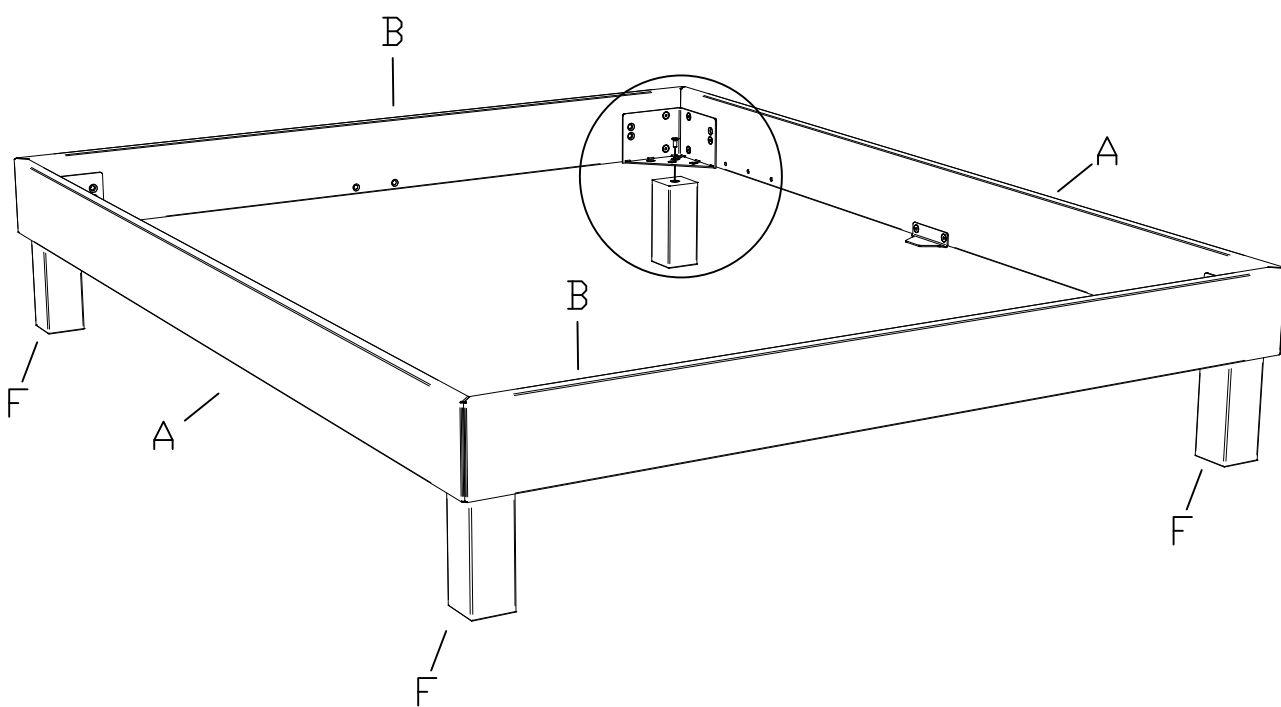
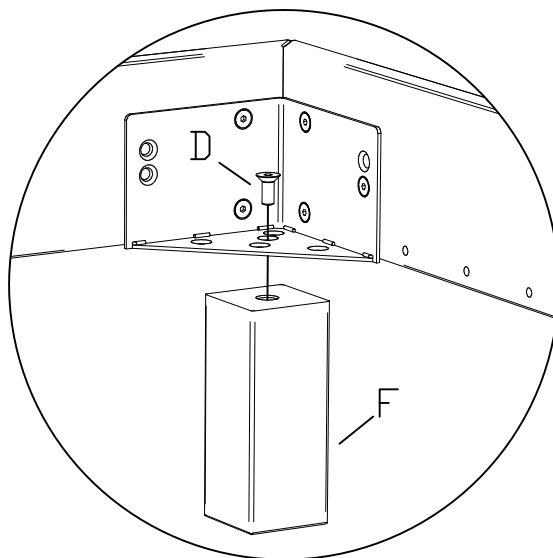


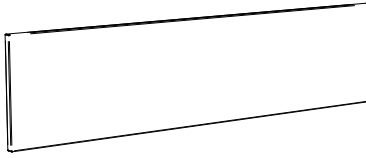
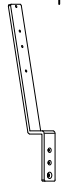
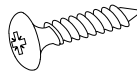
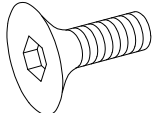
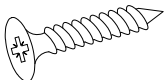
D ×4
M8×20

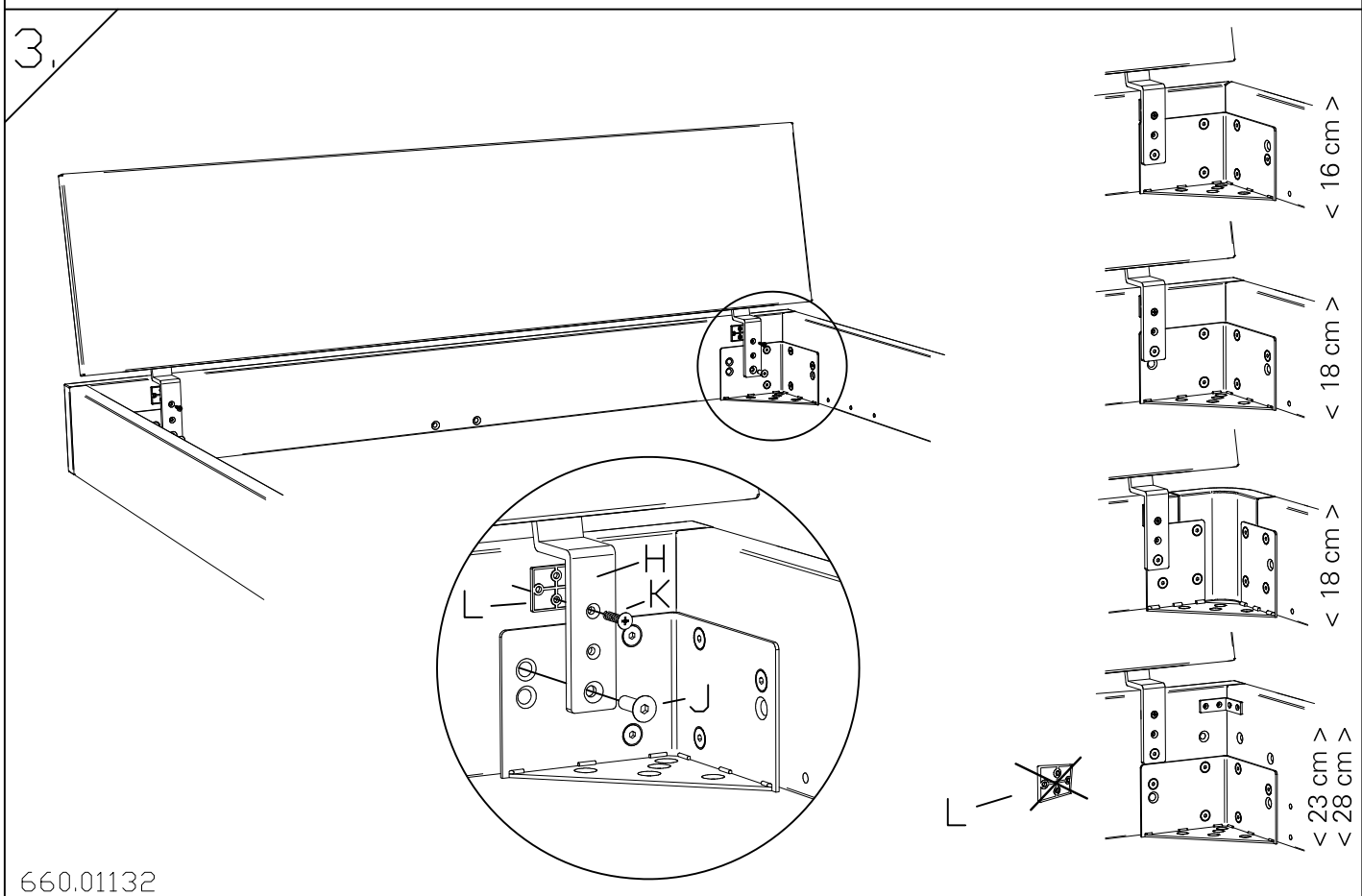
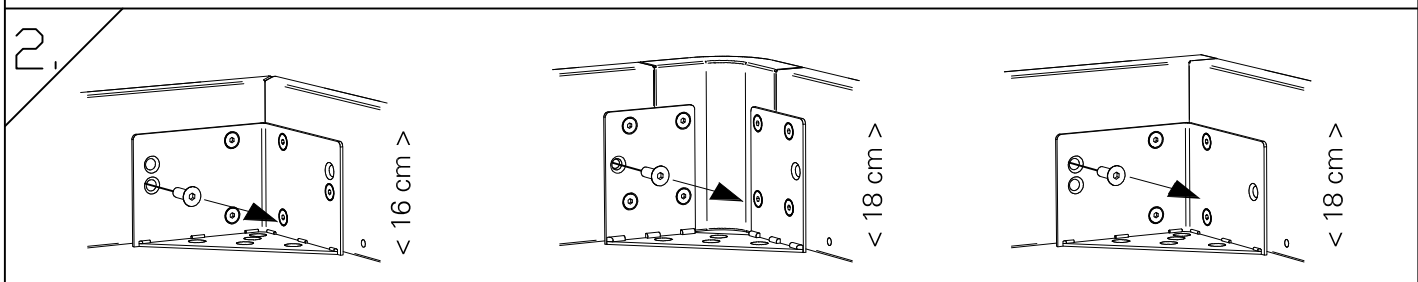
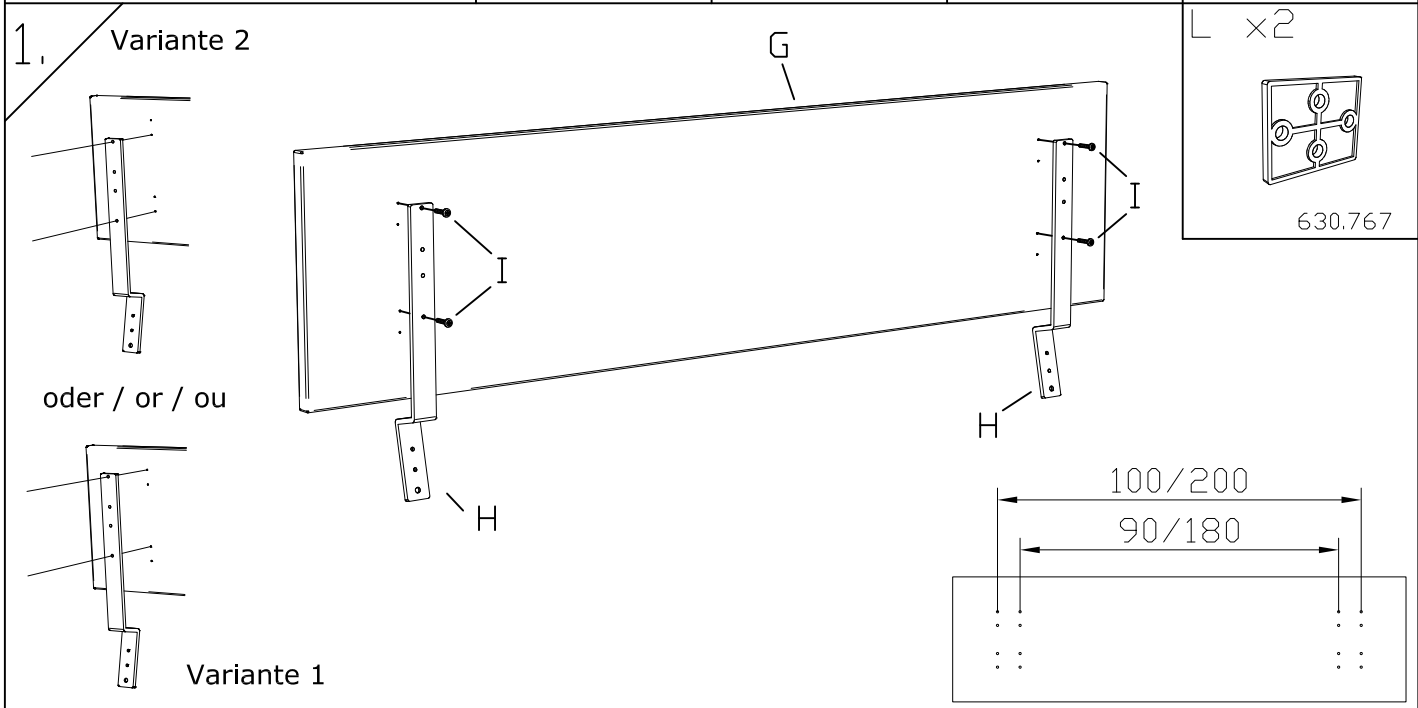


631.87200

2.

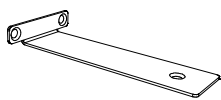


<p>G x1</p> 	<p>H x2</p>  <p>790.010</p>	<p>I x4 Ø5x25</p>  <p>631.16500</p>	<p>J x2 M8x25</p>  <p>631.10600</p>	<p>K x2 Ø5x25</p>  <p>631.32100</p>
---	---	--	--	--



bei Breiten ab 160cm
for widths from 160cm
à partir des dimensions 160cm
della misura 160cm

M x2

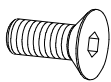


790.023

N x2



D x6
M8x20



631.87200

