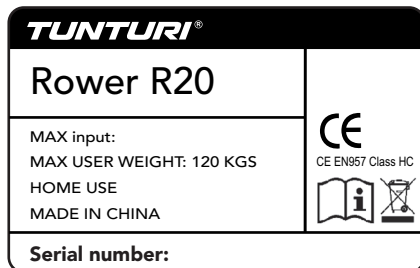


# TUNTURI®

## R20 Rower

|    |                         |         |
|----|-------------------------|---------|
| GB | User manual             | 19 - 24 |
| DE | Benutzerhandbuch        | 25 - 31 |
| FR | Manuel de l'utilisateur | 32 - 37 |
| NL | Gebruikershandleiding   | 38 - 43 |
| IT | Manuale d'uso           | 44 - 49 |
| ES | Manual del usuario      | 50 - 56 |
| SV | Bruksanvisning          | 57 - 61 |
| SU | Käyttöohje              | 62 - 67 |

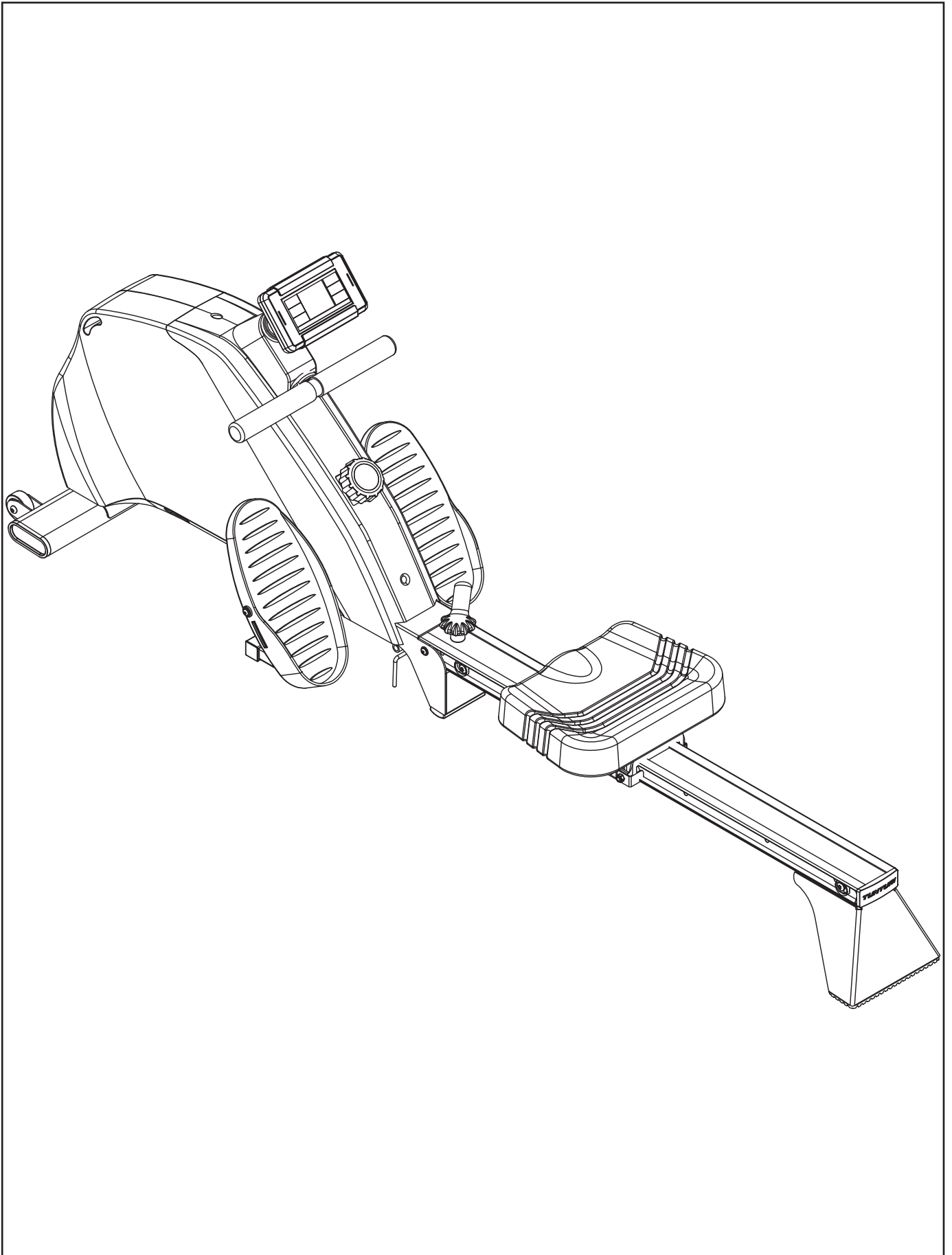


### Attention, Achtung, Attention, Attentie, Atención, Giv akt, Huomio

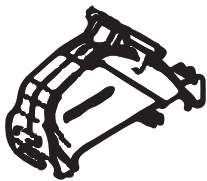
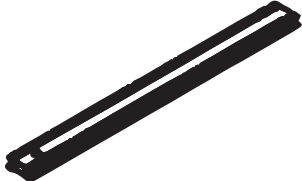





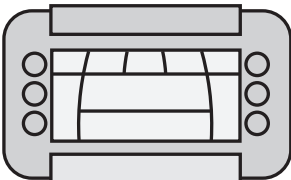
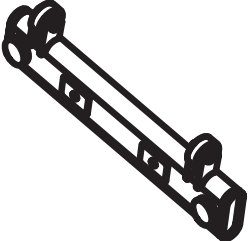
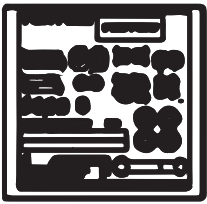



- Please read this Owner's manual before assembling this product.
- Bitte lesen Sie dieses Handbuch durch, bevor Sie mit er Montage dieses Produkts beginnen.
- Veuillez lire ce manuel avant de commencer le montage de ce produit.
- Leest u deze handleiding voordat u dit apparaat installeert.
- Lea este manual antes de montar este producto
- Läs bruksanvisningen innan du monterar denna produkt
- Lue tämä käsikirja ennen kokoamista tuotetta



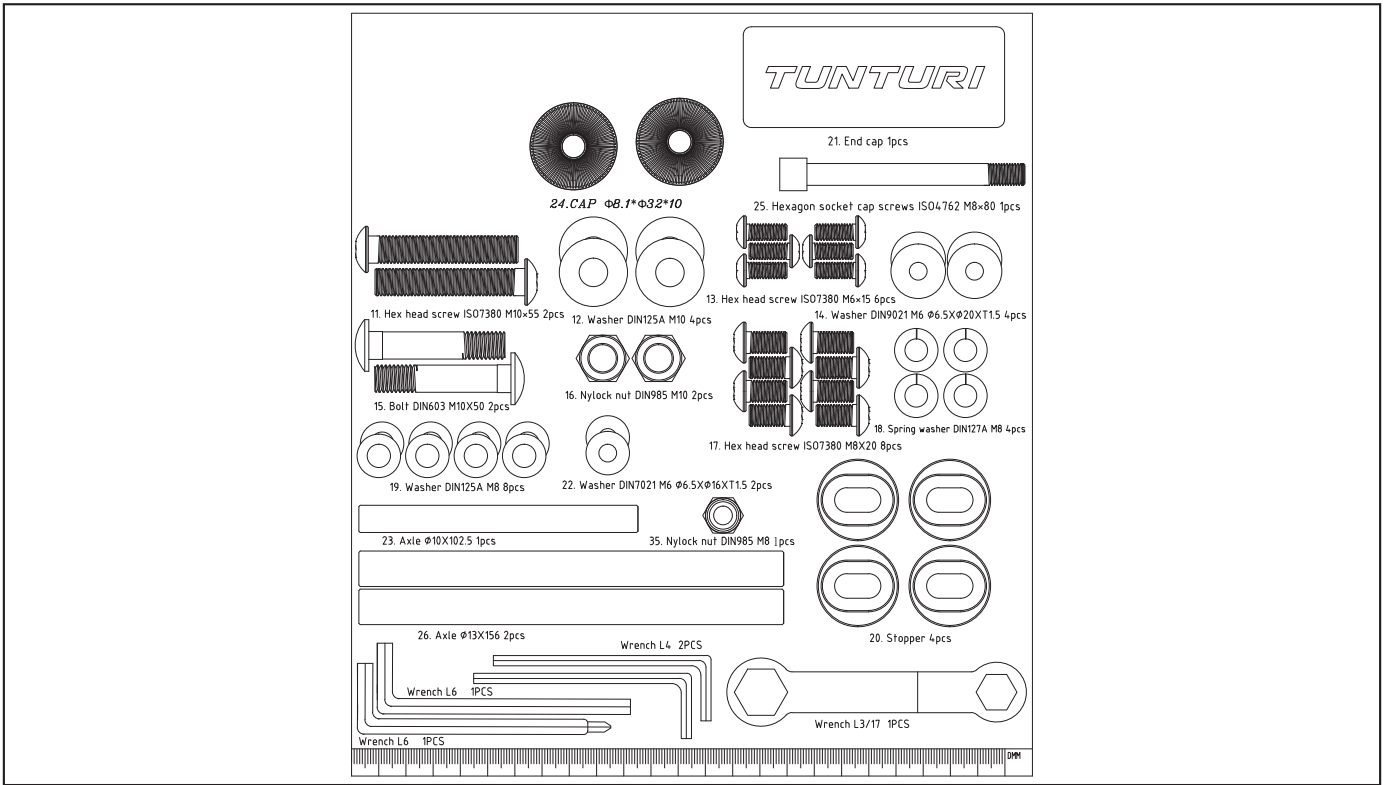
A



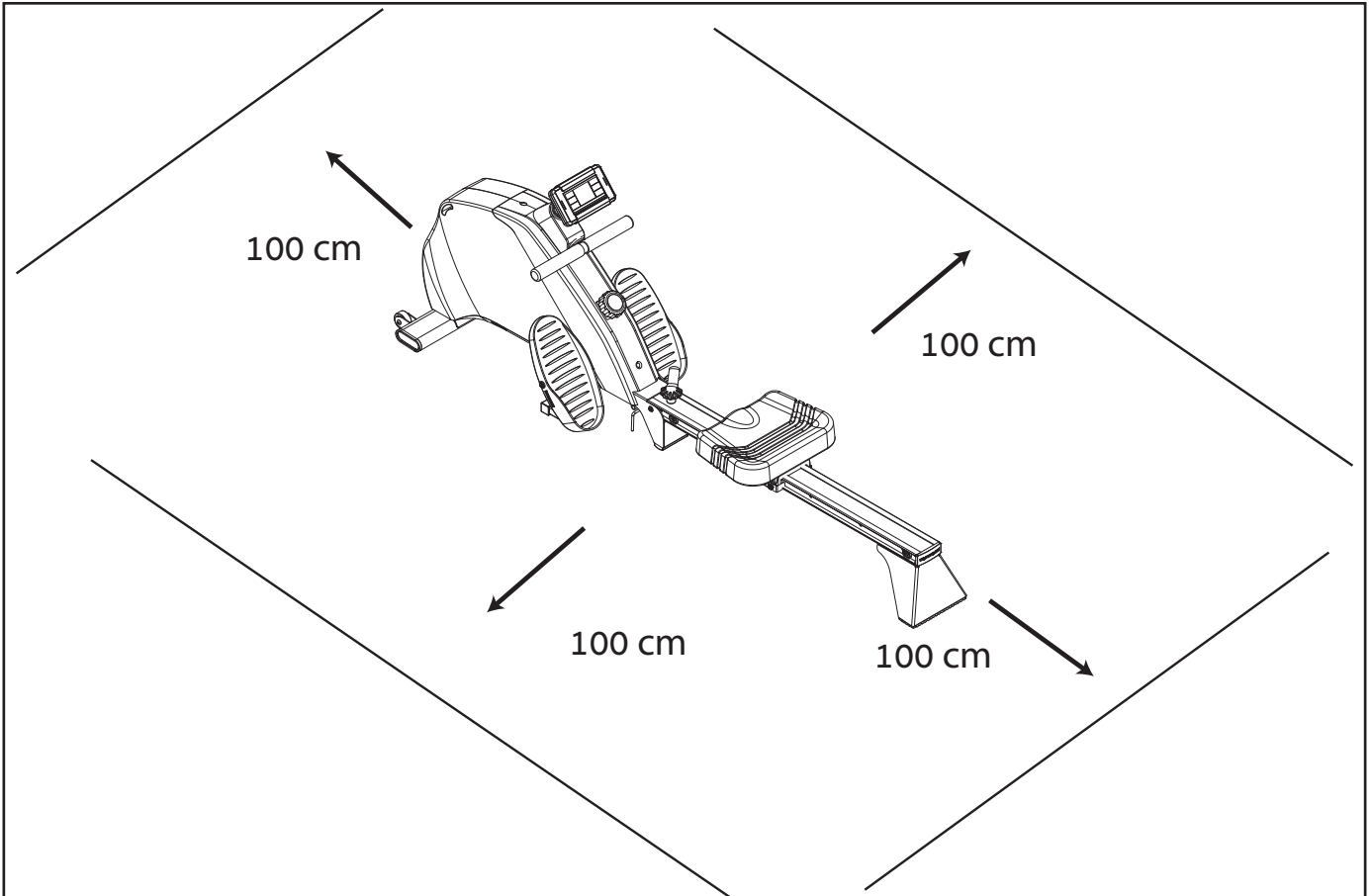
**B**

|   |   |   |   |
|---|---|---|---|
|    | 1 |     | 1 |
|    | 1 |    | 1 |
|   | 1 |    | 1 |
|  | 1 |   | 1 |
|  | 1 |  | 1 |
|  | 1 |  | 1 |
|  | 1 |   |   |

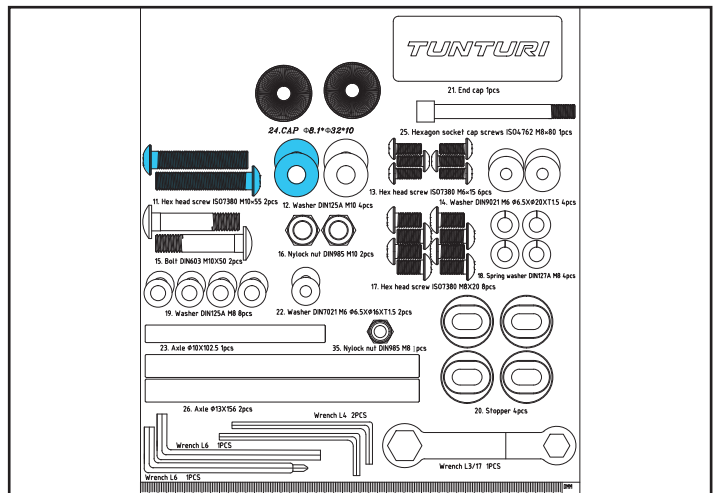
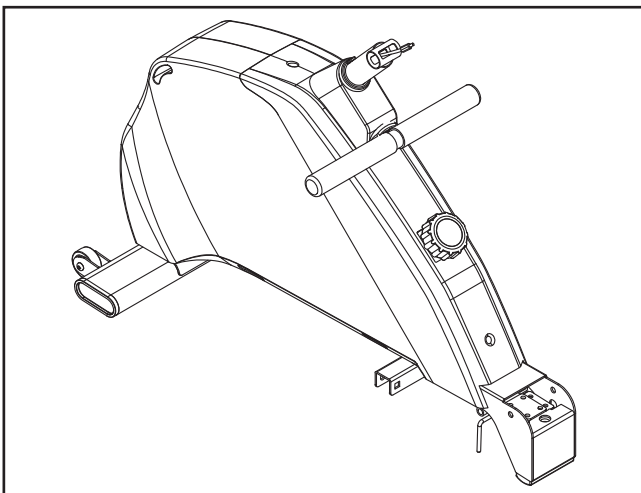
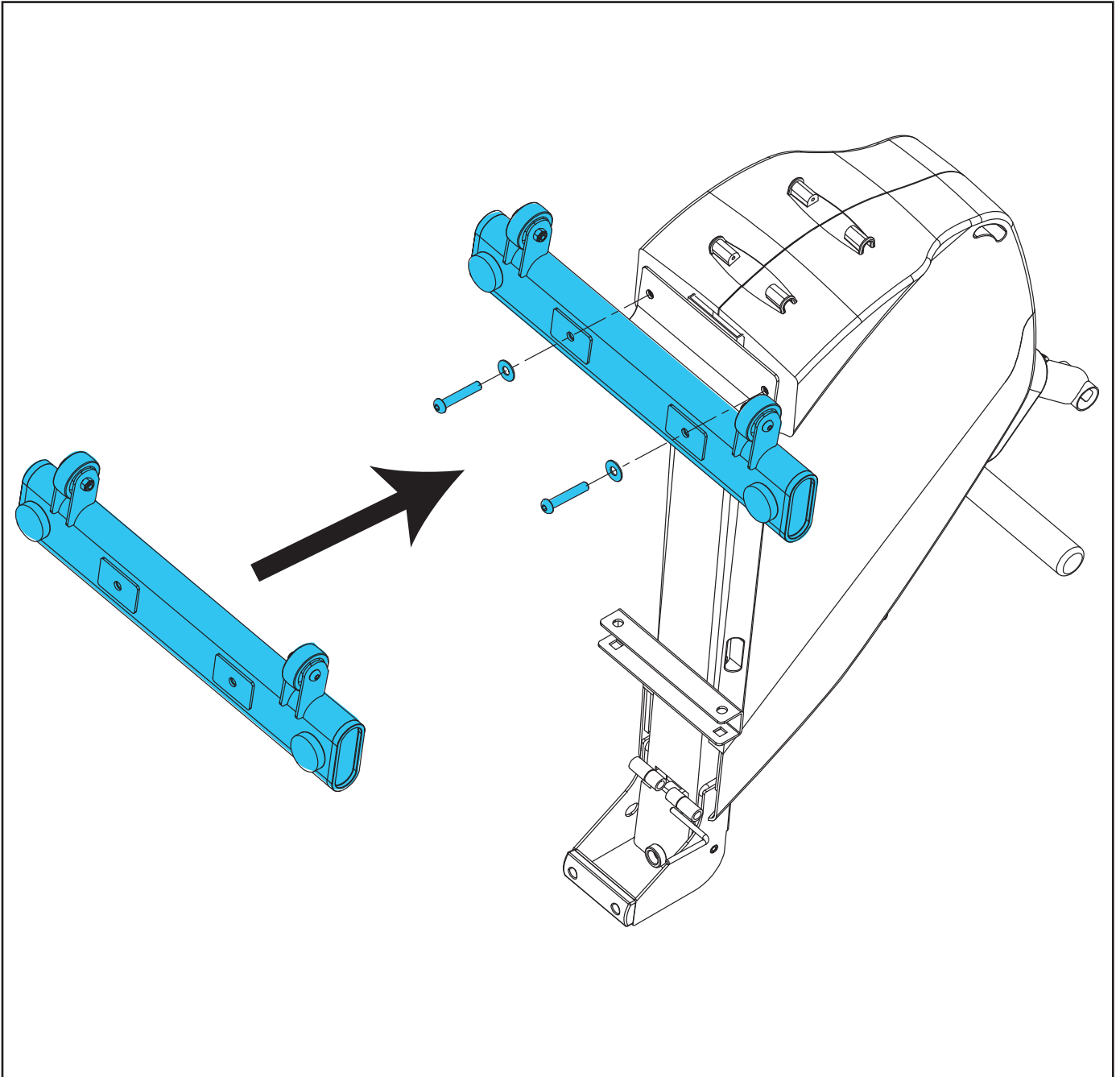
C



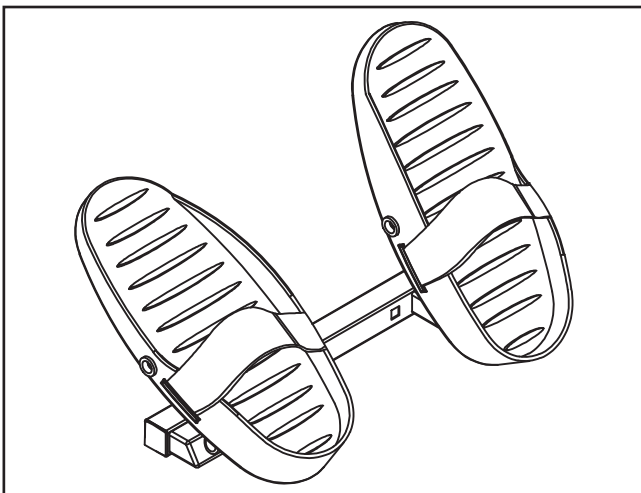
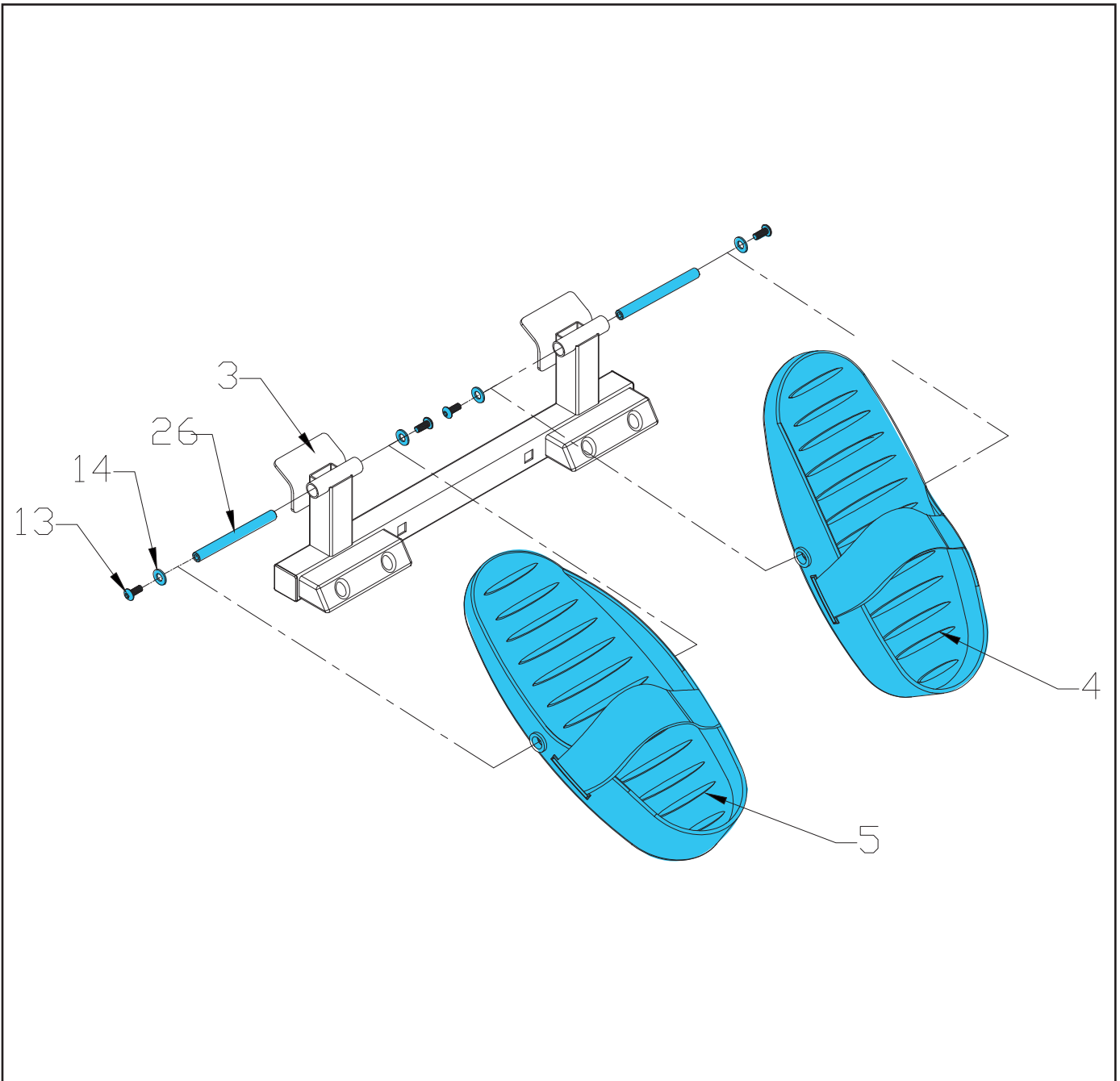
D-0



# D-1



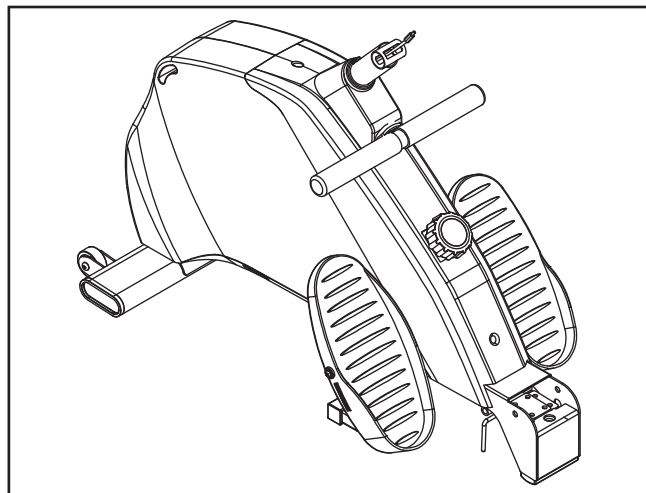
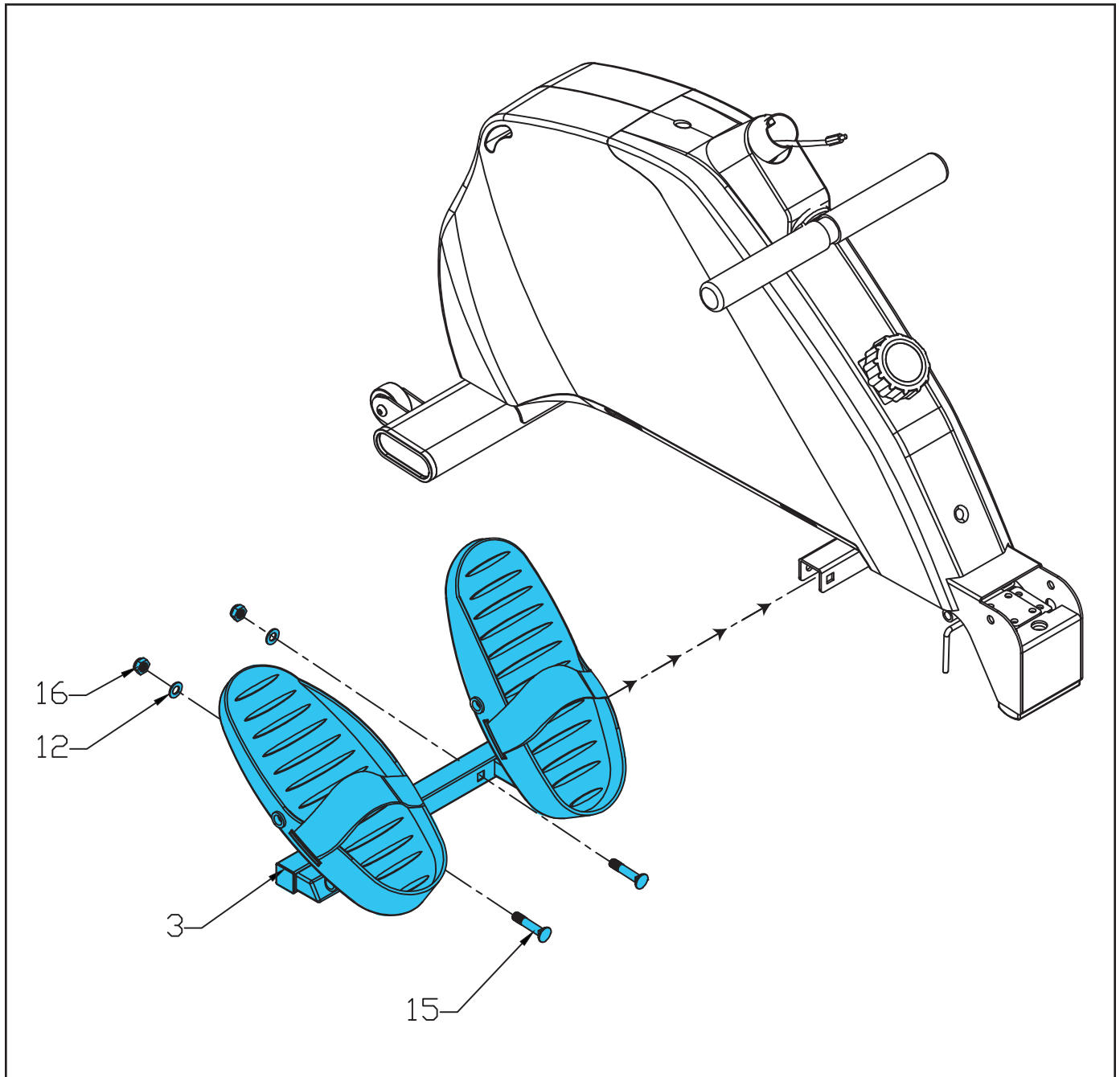
D-2



**TUNTURI**

- 24. CAP - Ø8,1" x Ø2" x 10
- 25. Hexagon socket cap screws ISO 4762 M8-80 1pcs
- 21. End cap 1pcs
- 11. Hex head screw ISO 7380 M10-55 2pcs
- 12. Washer DIN 1254 M10 4pcs
- 13. Hex head screw ISO 7380 M6-15 6pcs
- 14. Washer DIN 9021 M6 46.5X9.2X11.5 4pcs
- 15. Ball DIN 6163 M10X50 2pcs
- 16. Nylock nut DIN 985 M10 2pcs
- 17. Hex head screw ISO 7380 M8X20 8pcs
- 18. Spring washer DIN 1218 M8 4pcs
- 19. Washer DIN 1254 M8 8pcs
- 22. Washer DIN 7021 M6 46.5X9.6X11.5 2pcs
- 20. Stopper 4pcs
- 23. Axle Ø18X102.5 1pcs
- 35. Nylock nut DIN 985 M8 1pcs
- 26. Axle Ø18X156 2pcs
- Wrench L4 2PCS
- Wrench L6 1PCS
- Wrench L3/17 1PCS
- Wrench L6 1PCS

# D-3

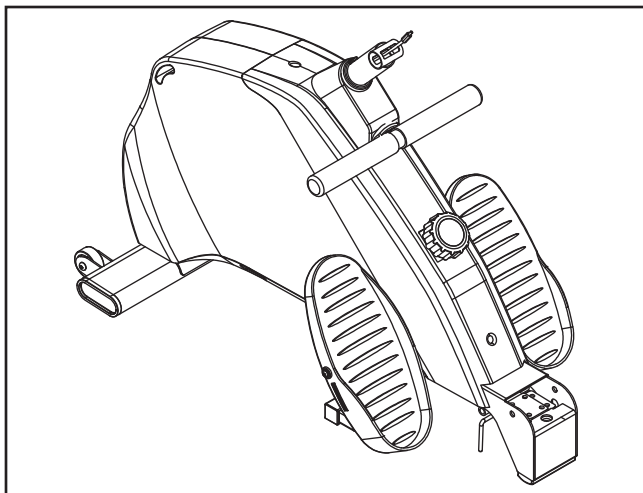
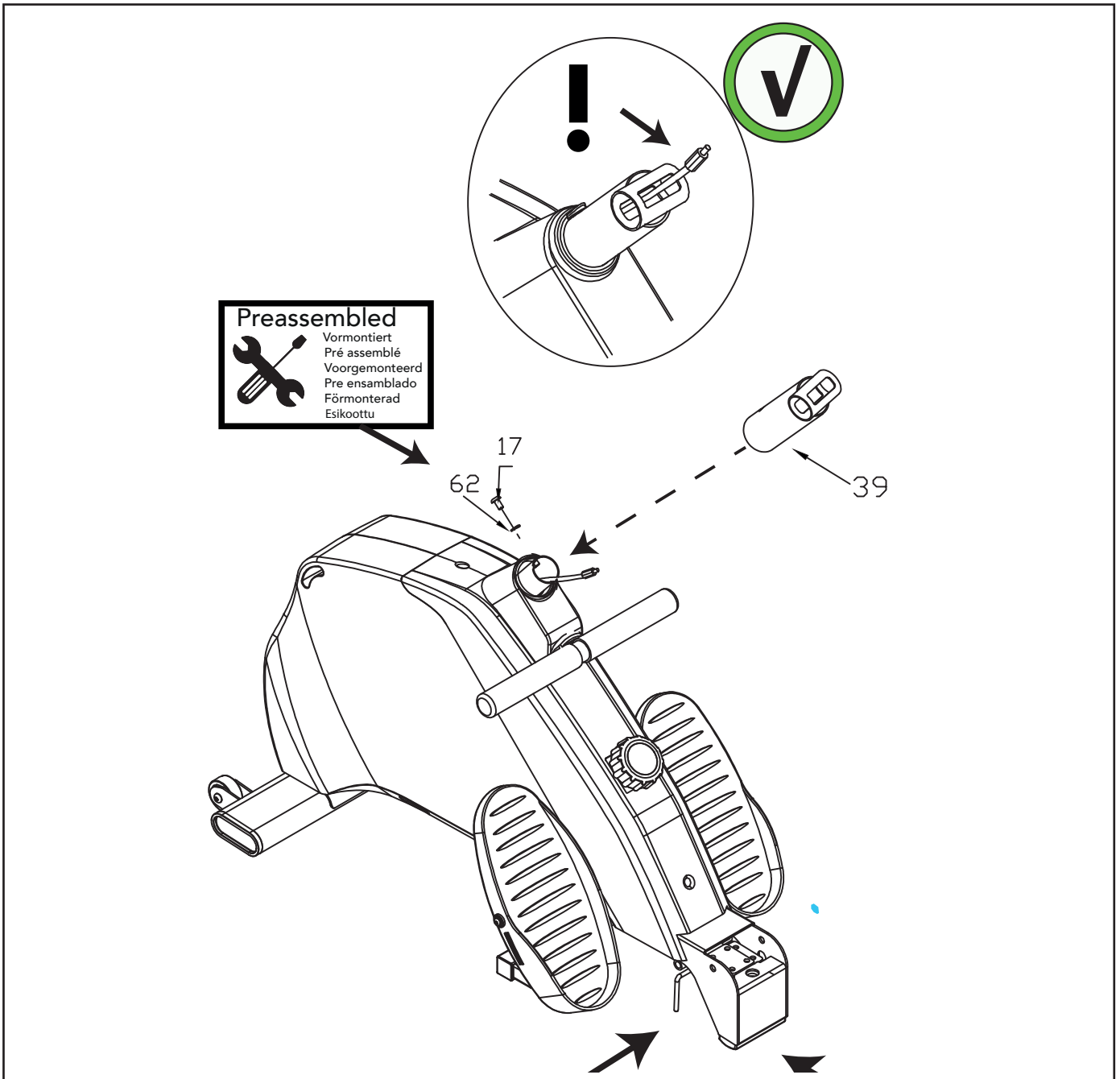


**TUNTURI**

- 21. End cap 1 pcs
- 24. CAP #8.1\*0.32\*10
- 25. Hexagon socket cap screws ISO4762 M6-80 1 pcs
- 11. Hex head screw ISO7380 M10-55 2 pcs
- 12. Washer DIN125A M10 4 pcs
- 13. Hex head screw ISO7380 M6-15 5 pcs
- 14. Washer DIN921 M6-6.5X9.20X1.5 4 pcs
- 15. Bolt DIN934 M10X50 2 pcs
- 16. Nylock nut DIN985 M10 2 pcs
- 17. Hex head screw ISO7380 M8X20 8 pcs
- 18. Spring washer DIN121A M8 4 pcs
- 19. Washer DIN125A M8 8 pcs
- 22. Washer DIN7021 M6-6.5X9.6X1.5 2 pcs
- 23. Axle #10X102.5 1 pcs
- 35. Nylock nut DIN985 M8 1 pcs
- 26. Axle #13X156 2 pcs
- 27. Axle #13X156 2 pcs
- 28. Stopper 4 pcs
- Wrench L6 2 PCS
- Wrench L6 1 PCS
- Wrench L6 1 PCS
- Wrench L3/17 1 PCS



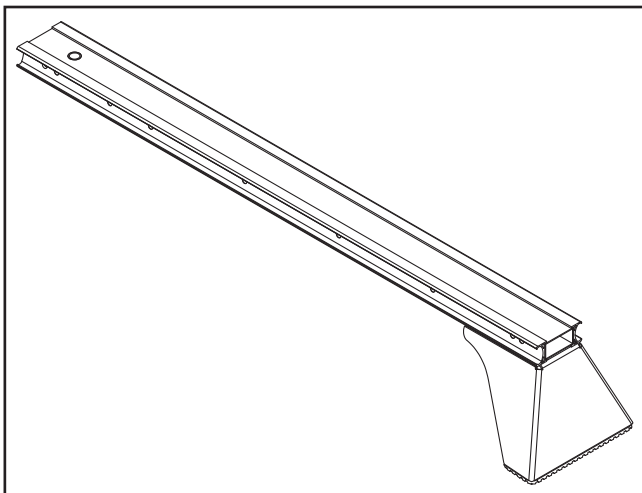
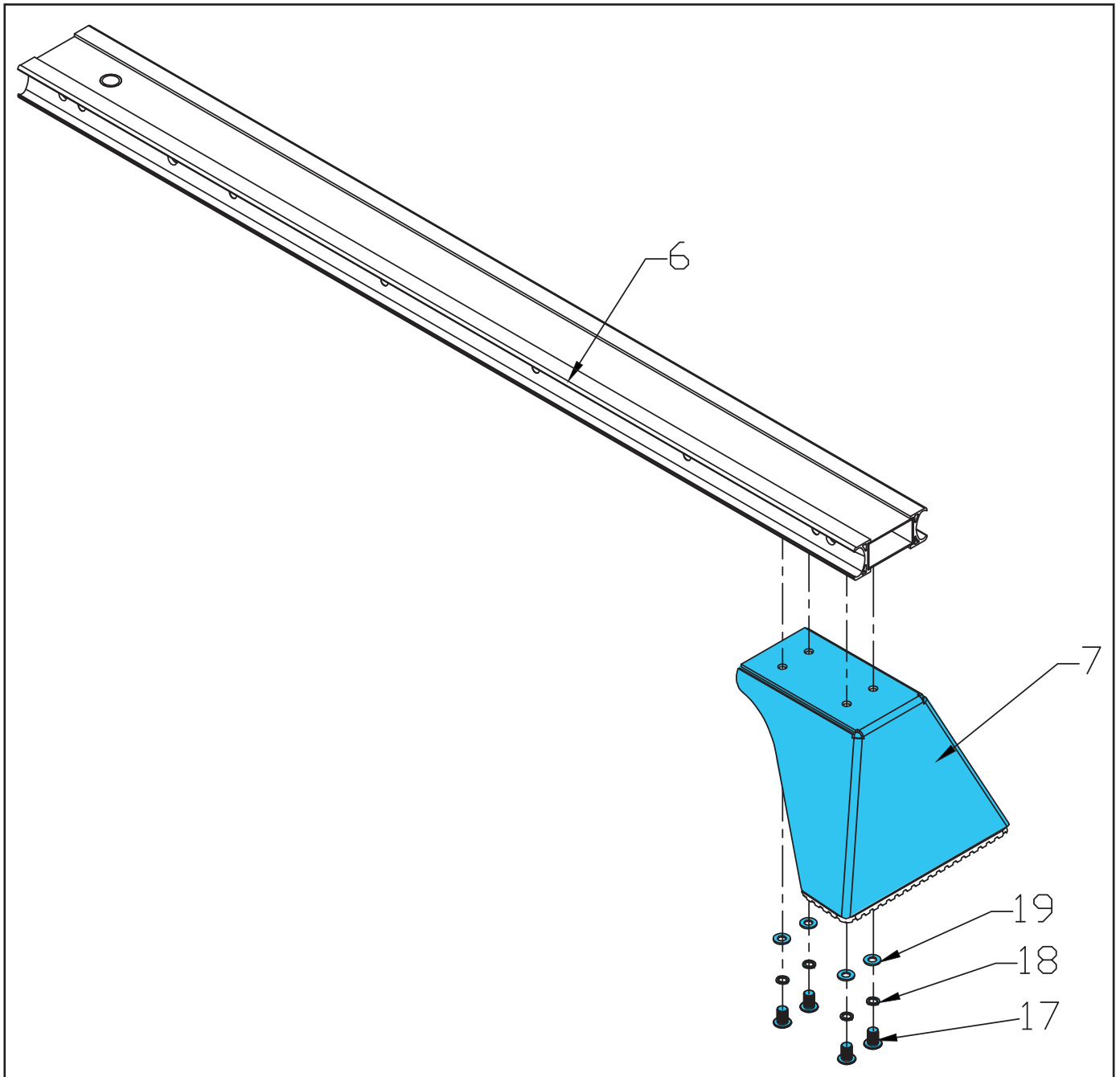
D-4



**TUNTURI**

- 21. End cap 1pcs
- 24. CAP -Ø8,1\*Ø32\*10
- 25. Hexagon socket cap screws ISO4762 M8-80 1pcs
- 11. Hex head screw ISO7380 M10-55 2pcs
- 12. Washer DIN125A M10 4pcs
- 13. Hex head screw ISO7380 M6-15 6pcs
- 14. Washer DIN9021 M6 46.5X9.2X11.5 4pcs
- 15. Bolt DIN63 M10X50 2pcs
- 16. Nylock nut DIN985 M12 2pcs
- 17. Hex head screw ISO7380 M8X20 8pcs
- 18. Spring washer DIN121A M8 4pcs
- 19. Washer DIN125A M8 8pcs
- 22. Washer DIN7021 M6 46.5X9.6X11.5 2pcs
- 23. Axle Ø18X102.5 1pcs
- 35. Nylock nut DIN985 M8 1pcs
- 20. Stopper 4pcs
- 26. Axle Ø15X156 2PCS
- Wrench L4 2PCS
- Wrench L6 1PCS
- Wrench L6 1PCS
- Wrench L3/17 1PCS

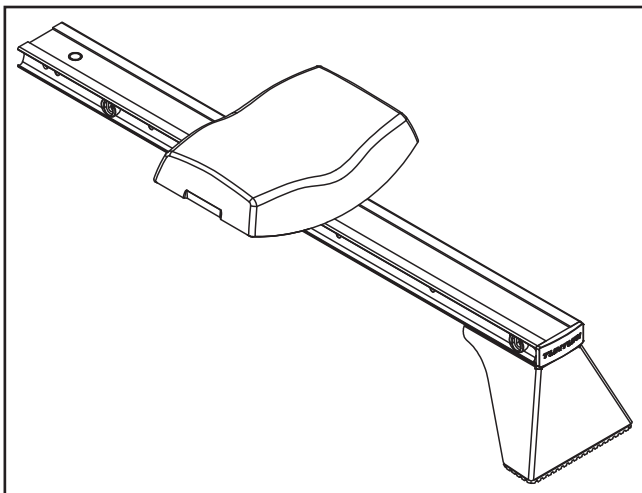
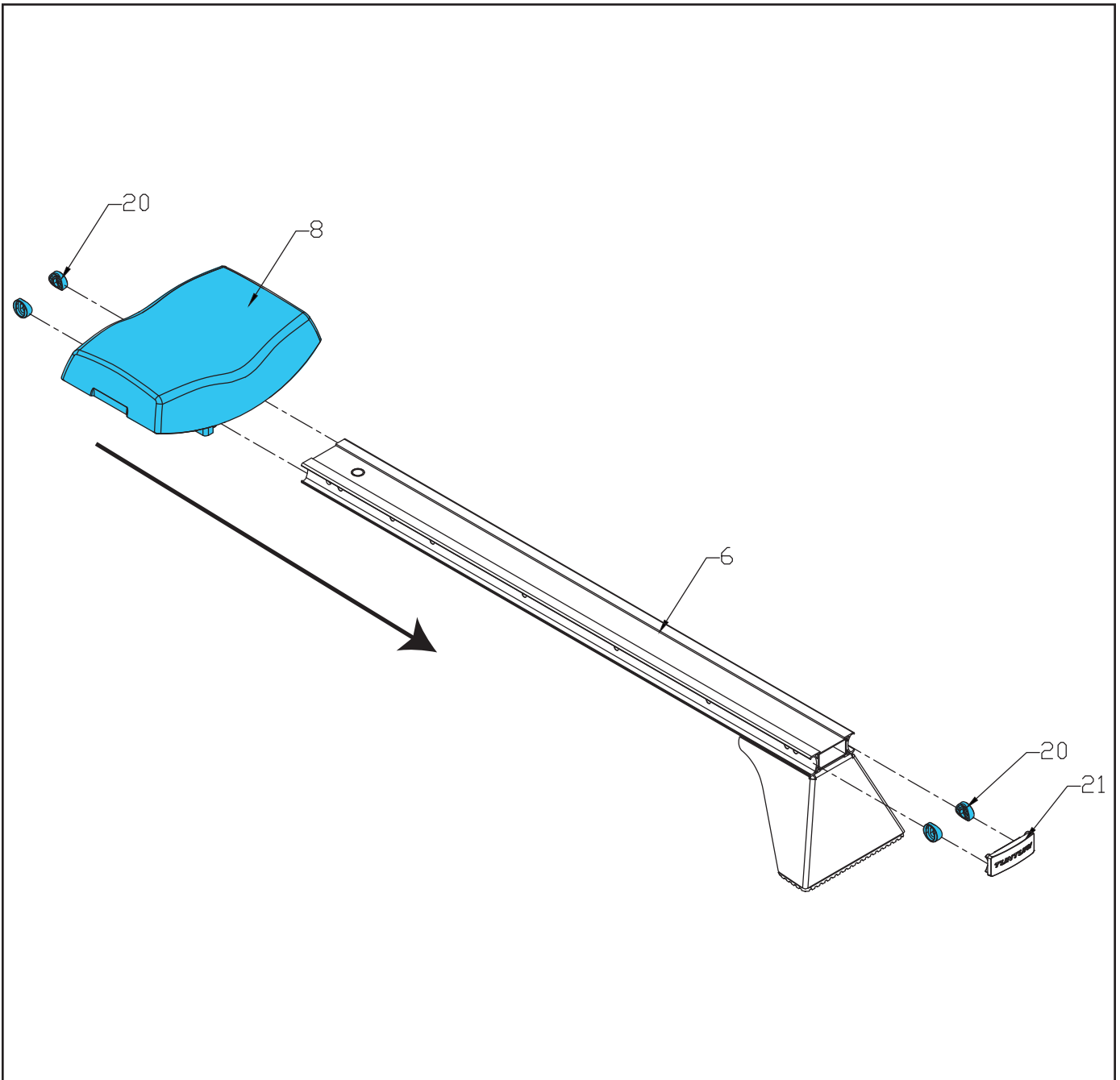
# D-5



TUNTURI

- 24. CAP - Ø8.8\*102\*10
- 21. End cap 1pcs
- 25. Hexagon socket cap screws ISO4762 M8-80 1pcs
- 11. Hex head screw ISO7380 M10-55 2pcs
- 12. Washer DIN125A M10 1pcs
- 13. Hex head screw ISO7380 M6-15 6pcs
- 14. Washer DIN9021 M6-Ø6.5XØ10X1.5 1pcs
- 15. Bolt DIN633 M10X50 2pcs
- 16. Nylock nut DIN958 M10 2pcs
- 17. Hex head screw ISO7380 M8X20 8pcs
- 18. Spring washer DIN927A M8 1pcs
- 19. Washer DIN125A M8 8pcs
- 22. Washer DIN7021 M6-Ø6.5XØ6X1.5 2pcs
- 20. Stopper 1pcs
- 23. Axle Ø10X102.5 1pcs
- 35. Nylock nut DIN958 M8 1pcs
- 26. Axle Ø13X106 2pcs
- Wrench L4 2PCS
- Wrench L6 1PCS
- Wrench L8 1PCS
- Wrench L1/T1 1PCS

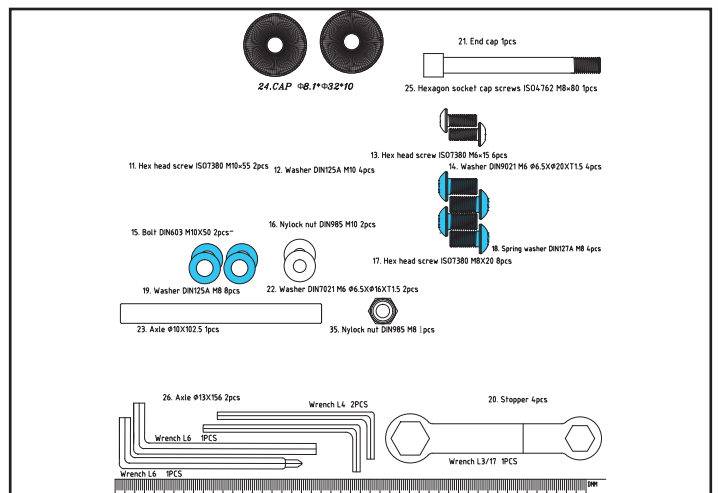
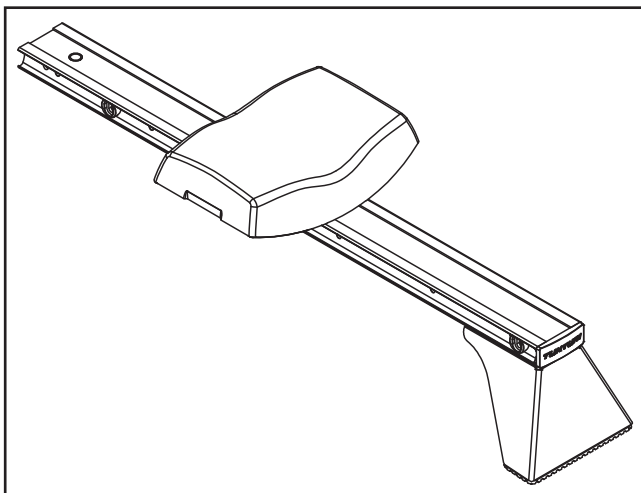
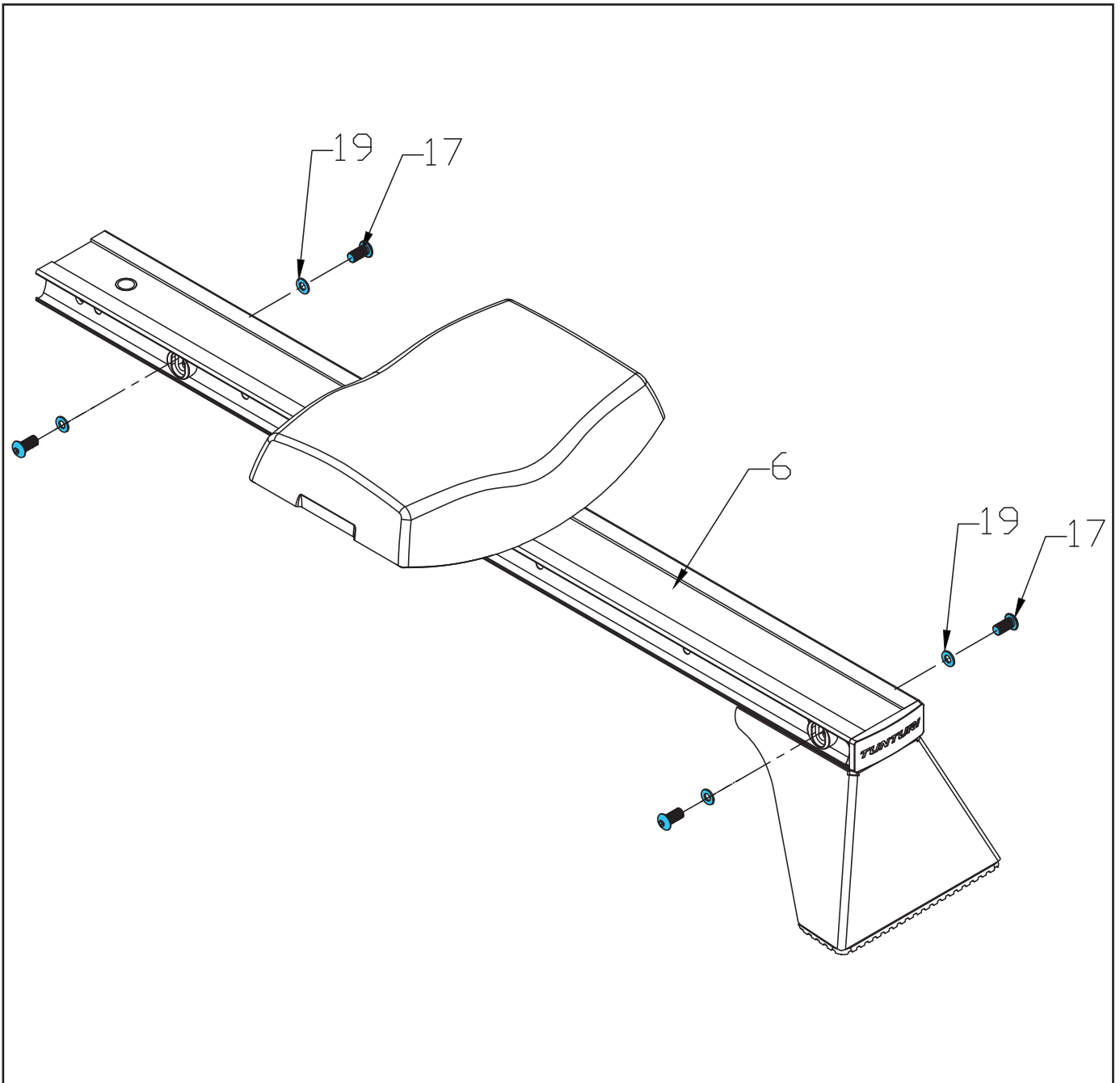
# D-6



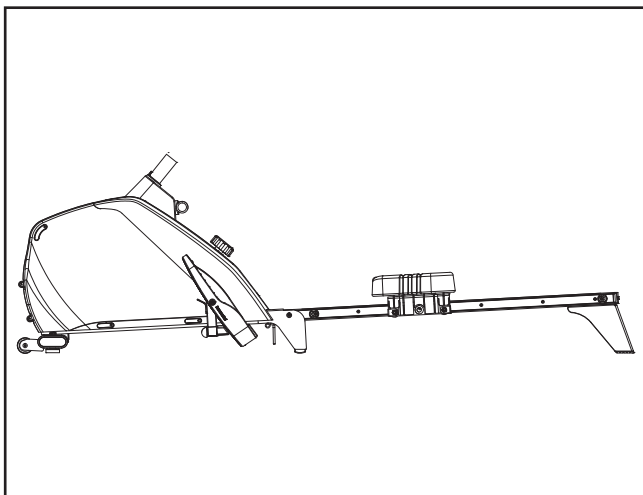
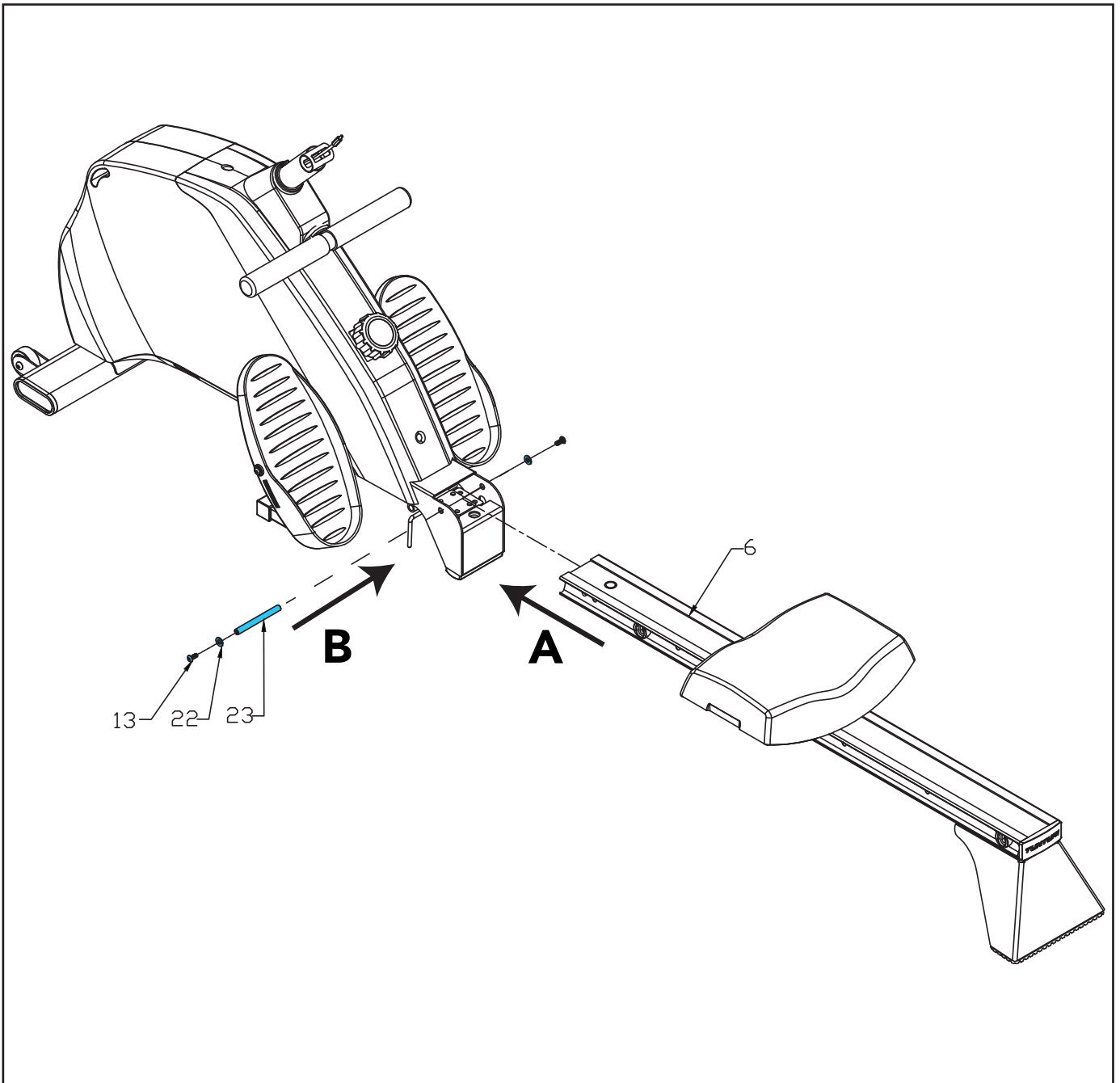
**TUNTURI**

- 24. CAP - Ø8.1\*Ø27\*10
- 25. Hexagon socket cap screws ISO4762 M8-80 8pcs
- 21. End cap 1pcs
- 11. Hex head screw ISO7380 M10-55 2pcs
- 12. Washer DIN125A M10 4pcs
- 13. Hex head screw ISO7380 M6-15 6pcs
- 14. Washer DIN9021 M6-Ø6.5XØ20X1.5 4pcs
- 15. Bolt DIN603 M10X50 2pcs
- 16. Nylock nut DIN954 M10 2pcs
- 17. Hex head screw ISO7380 M8X20 8pcs
- 18. Spring washer DIN927A M8 4pcs
- 19. Washer DIN125A M8 8pcs
- 22. Washer DIN7021 M6-Ø6.5XØ16X1.5 2pcs
- 20. Stopper 4pcs
- 23. Axle Ø10X102.5 1pcs
- 35. Nylock nut DIN954 M8 1pcs
- 26. Axle Ø13X106 2pcs
- Wrench L4 2PCS
- Wrench L6 1PCS
- Wrench L6 1PCS
- Wrench L1/T1 1PCS

# D-7

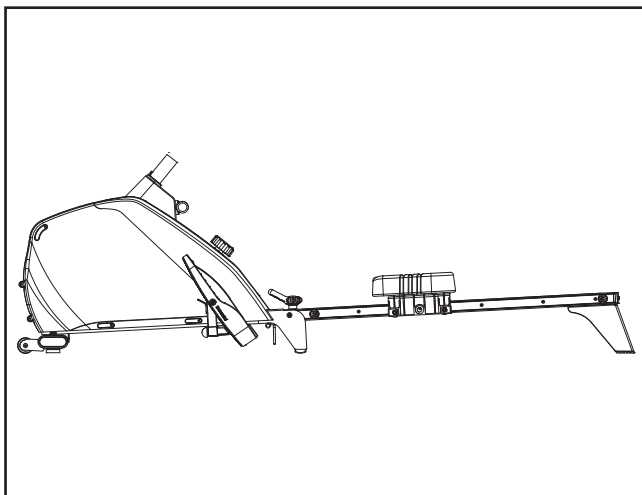
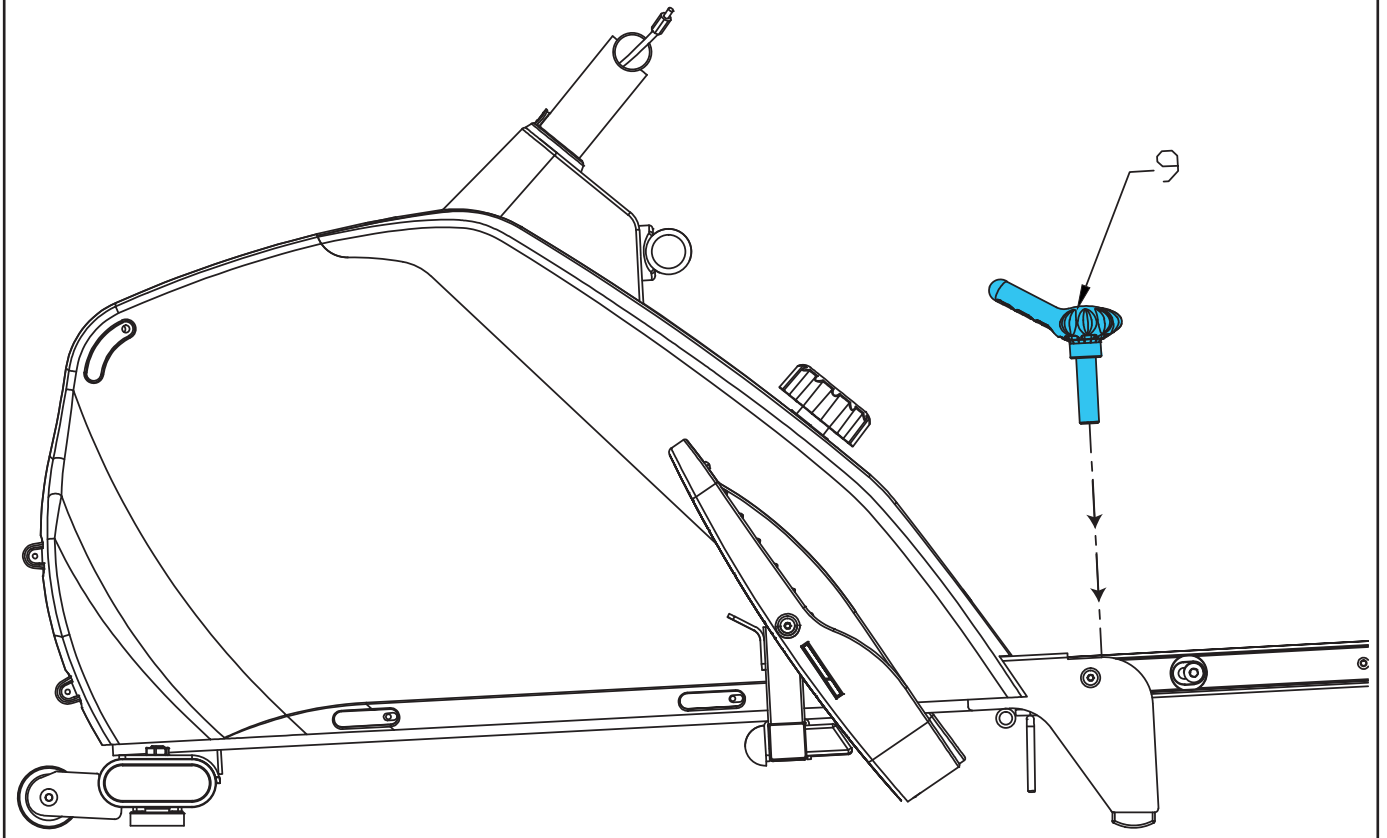
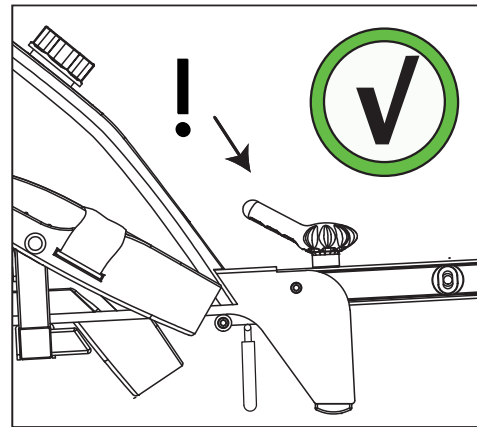
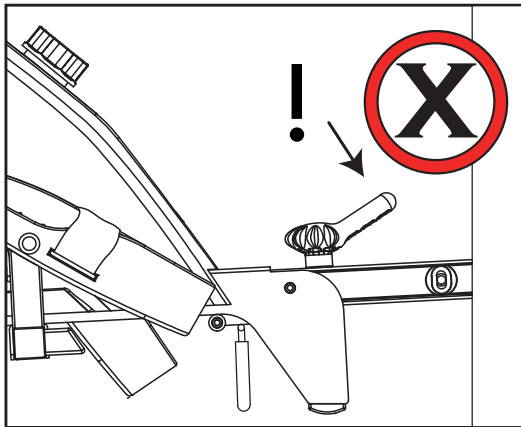


# D-8



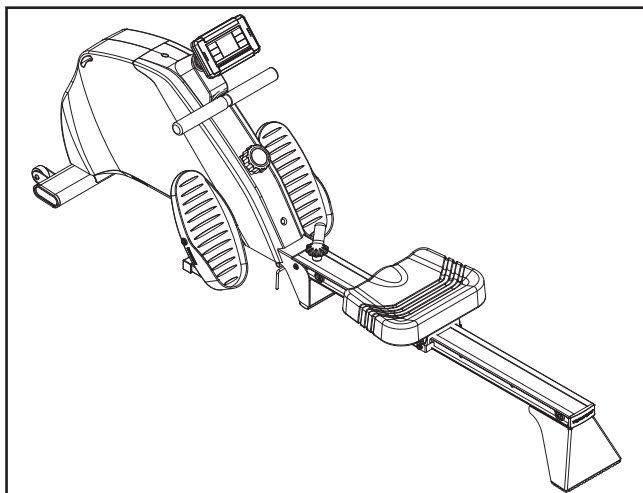
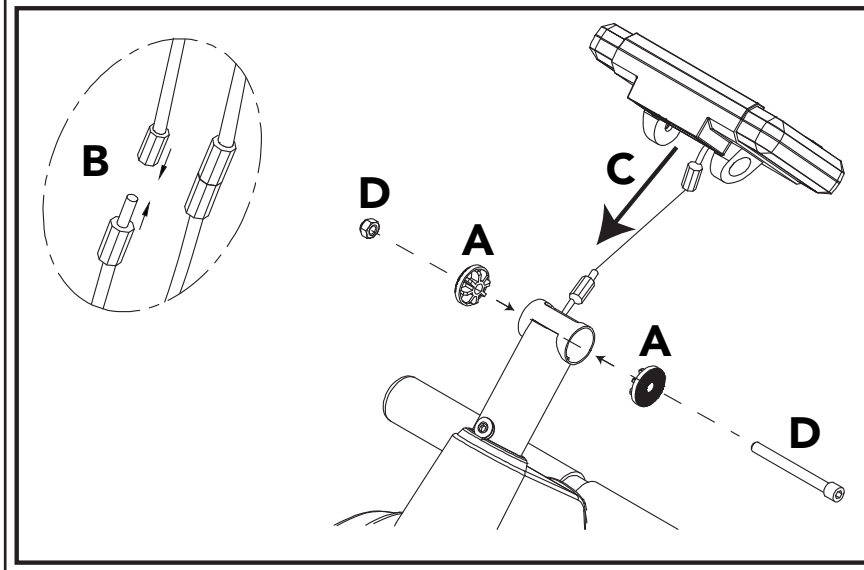
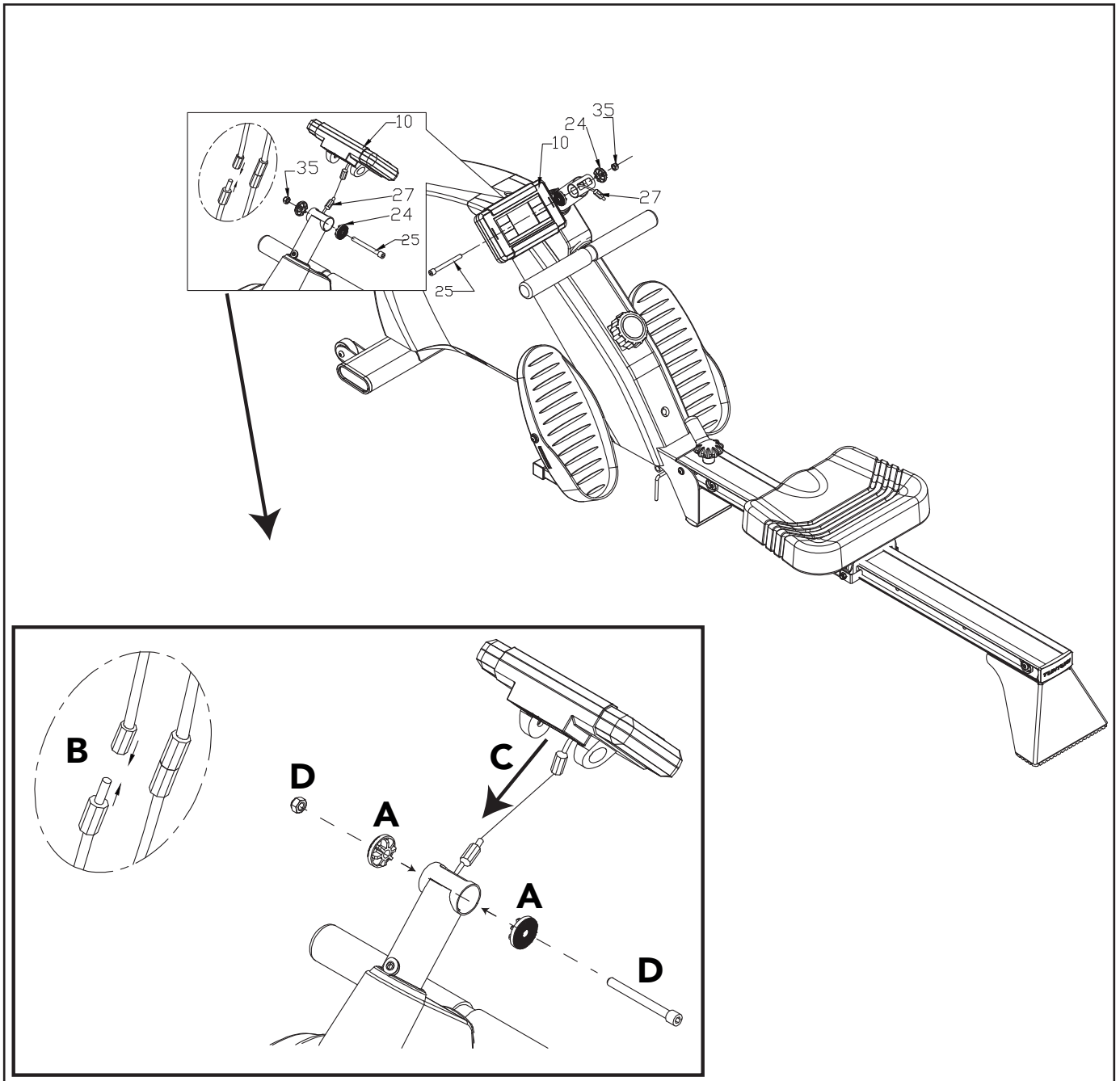
|  |  |
|--|--|
|  |  |
| 24. CAP Ø6.1*Ø32*10                              | 21. End cap 1pcs                       |
|  |  |
| 25. Hexagon socket cap screws ISO-702 MB-80 1pcs | 11. Hex head screw ISO7380 M10-S5 2pcs |
|  |  |
| 13. Hex head screw ISO7380 M6x15 6pcs            | 12. Washer DIN125A M10 4pcs            |
|  |  |
| 14. Washer DIN9021 M6 9x5xØ20xT15 6pcs           | 15. Bolt DIN693 M10x50 2pcs            |
|  |  |
| 16. Nylock nut DIN985 M10 2pcs                   | 17. Hex head screw ISO7380 M8x20 8pcs  |
|  |  |
| 18. Spring washer DIN127A M8 4pcs                | 19. Washer DIN125A M8 8pcs             |
|  |  |
| 22. Washer DIN1021 M6 9x5xØ16xT15 2pcs           | 23. Axle Ø10x102.5 1pcs                |
|  |  |
| 35. Nylock nut DIN985 M8 1pcs                    | 26. Axle Ø13x156 2pcs                  |
|  |  |
| 20. Stopper 4pcs                                 | Wrench L4 2PCS                         |
|  |  |
| Wrench L6 1PCS                                   | Wrench L3/17 1PCS                      |
|  |  |
| Wrench L6 1PCS                                   |  |



# D-9



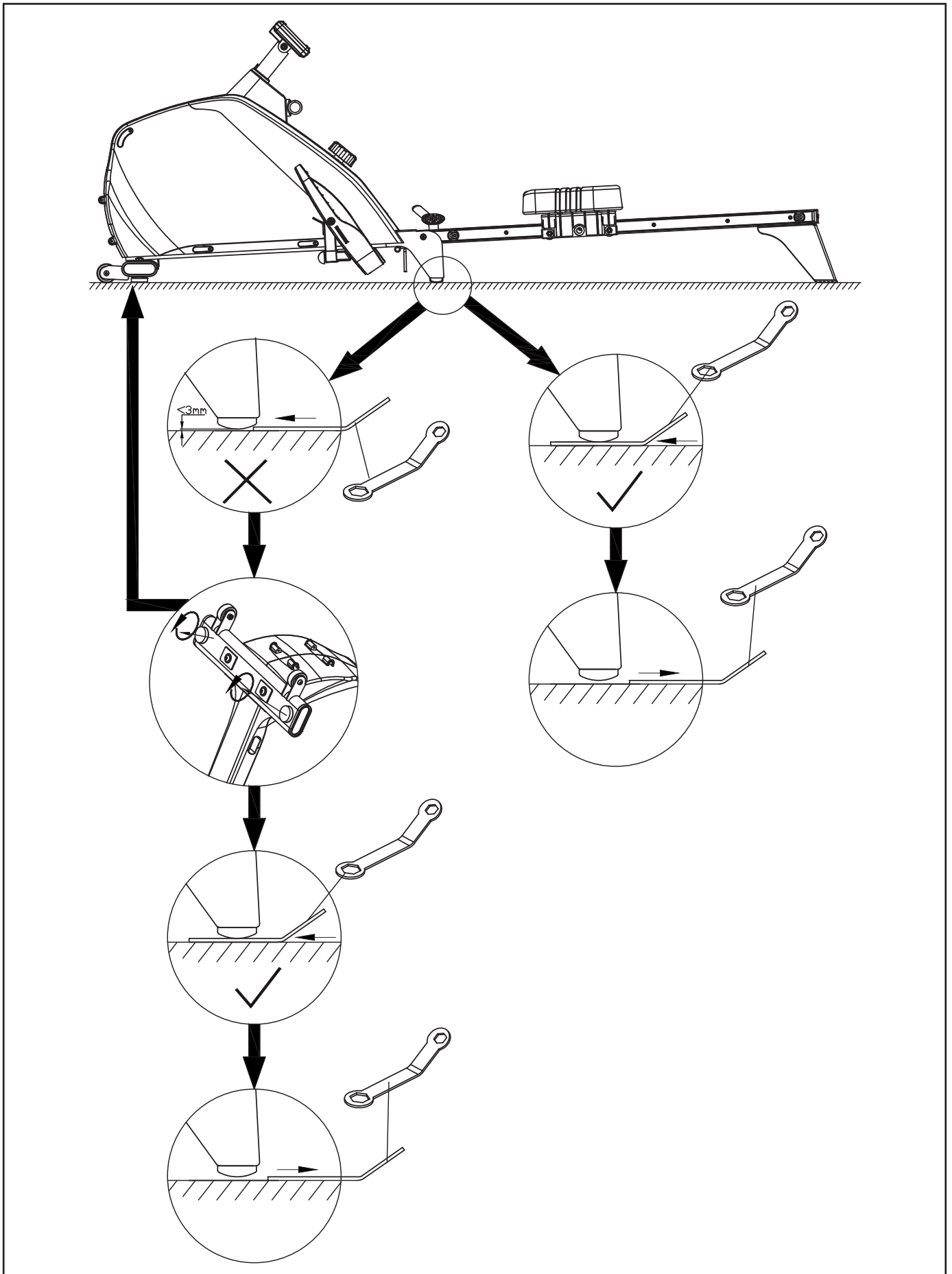
|  |   |  |  |
|--|---|--|--|
|  |   |  |  |
|  | <b>24. CAP</b> $\varnothing 8,1 \times \varnothing 8,2 \times 10$ |  | <b>25. Hexagon socket cap screws</b> ISO 4762 M8-80 1PCS |
| <b>11. Hex head screw</b> ISO7380 M10-55 2PCS    | <b>12. Washer</b> DNT25A M10 4PCS                                 | <b>13. Hex head screw</b> ISO7380 M6-15 6PCS       | <b>14. Washer</b> DIN9021 M6 06.5X020X1.5 4PCS           |
| <b>15. Bolt</b> DIN693 M10X50 2PCS               | <b>16. Nylock nut</b> DIN985 M10 2PCS                             | <b>17. Hex head screw</b> ISO7380 M8X20 8PCS       | <b>18. Spring washer</b> DIN127A M8 4PCS                 |
| <b>19. Washer</b> DIN125A M8 8PCS                | <b>22. Washer</b> DNT021 M6 06.5X016X1.5 2PCS                     | <b>23. Axle</b> $\varnothing 10 \times 102,5$ 1PCS | <b>35. Nylock nut</b> DIN985 M8 1PCS                     |
| <b>26. Axle</b> $\varnothing 13 \times 156$ 2PCS | <b>Wrench L4</b> 2PCS   | <b>20. Stopper</b> 4PCS                            |  |
| <b>Wrench L6</b> 1PCS                            | <b>Wrench L3/17</b> 1PCS  |  |  |
| <b>Wrench L6</b> 1PCS                            |   |  |  |

# D-10



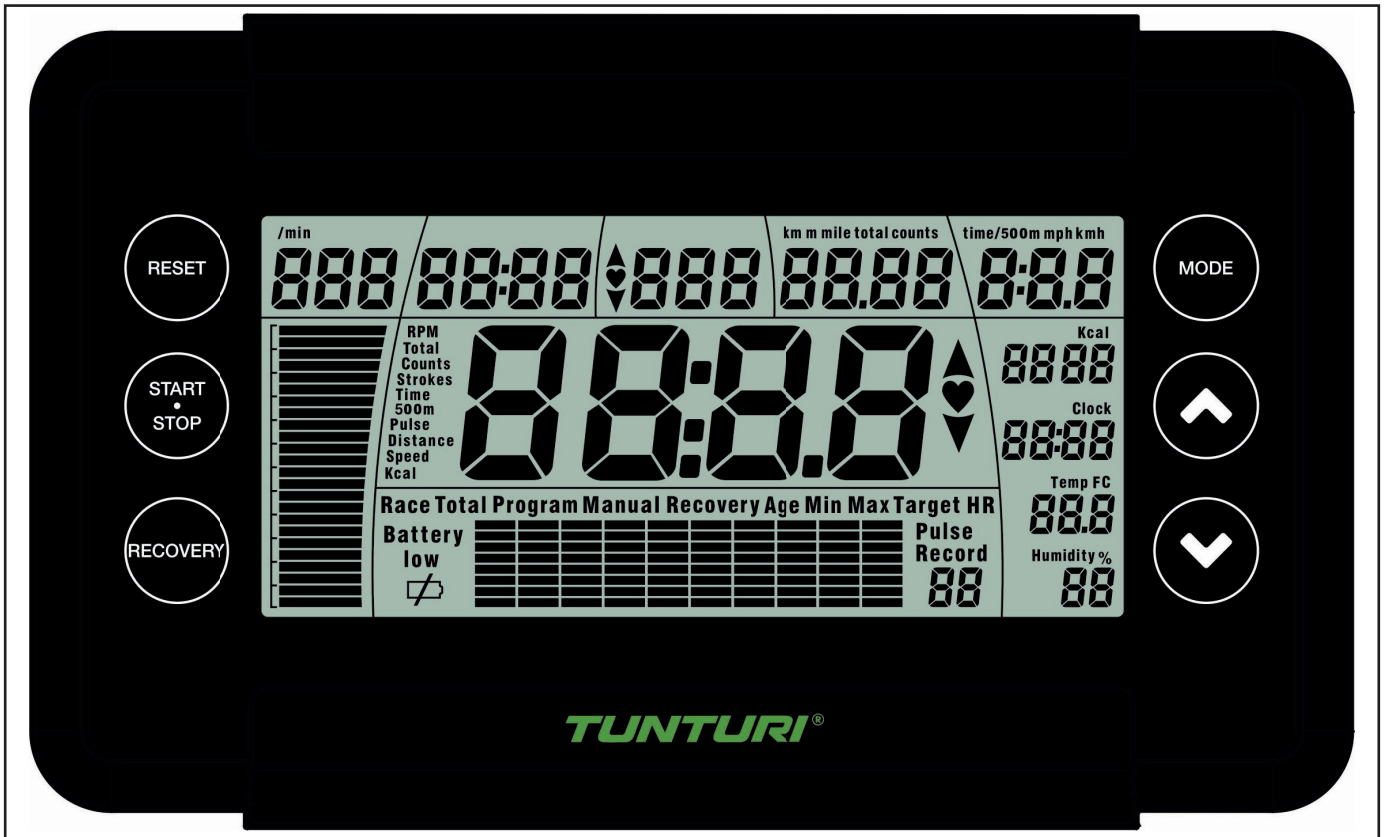
|   |   |
|---|---|
|  |  |
| 24.CAP $\varnothing 8.1 \times 32 \times 10$  | 21. End cap 1pcs  |
|   | 25. Hexagon socket cap screws ISO4762 M8-80 1pcs                                      |
| 11. Hex head screw ISO7380 M10x55 2pcs  | 13. Hex head screw ISO7380 M6x15 6pcs   |
| 12. Washer DIN125A M10 4pcs   | 14. Washer DIN9021 M6 9x5x9x20xT15 4pcs   |
| 15. Bolt DIN693 M10x50 2pcs   | 16. Nylock nut DIN985 M10 2pcs  |
| 17. Hex head screw ISO7380 M8x20 8pcs   | 18. Spring washer DIN27A M8 4pcs  |
| 19. Washer DIN125A M8 8pcs  | 22. Washer DIN7021 M6 9x5x9x16xT15 3pcs   |
| 23. Axle $\varnothing 10 \times 102.5$ 1pcs   | 35. Nylock nut DIN985 M8 1pcs   |
| 26. Axle $\varnothing 13 \times 156$ 2pcs   | 20. Stopper 4pcs  |
| Wrench L6 1PCS  | Wrench L4 2PCS  |
| Wrench L6 1PCS  | Wrench L3/L7 1PCS   |

E

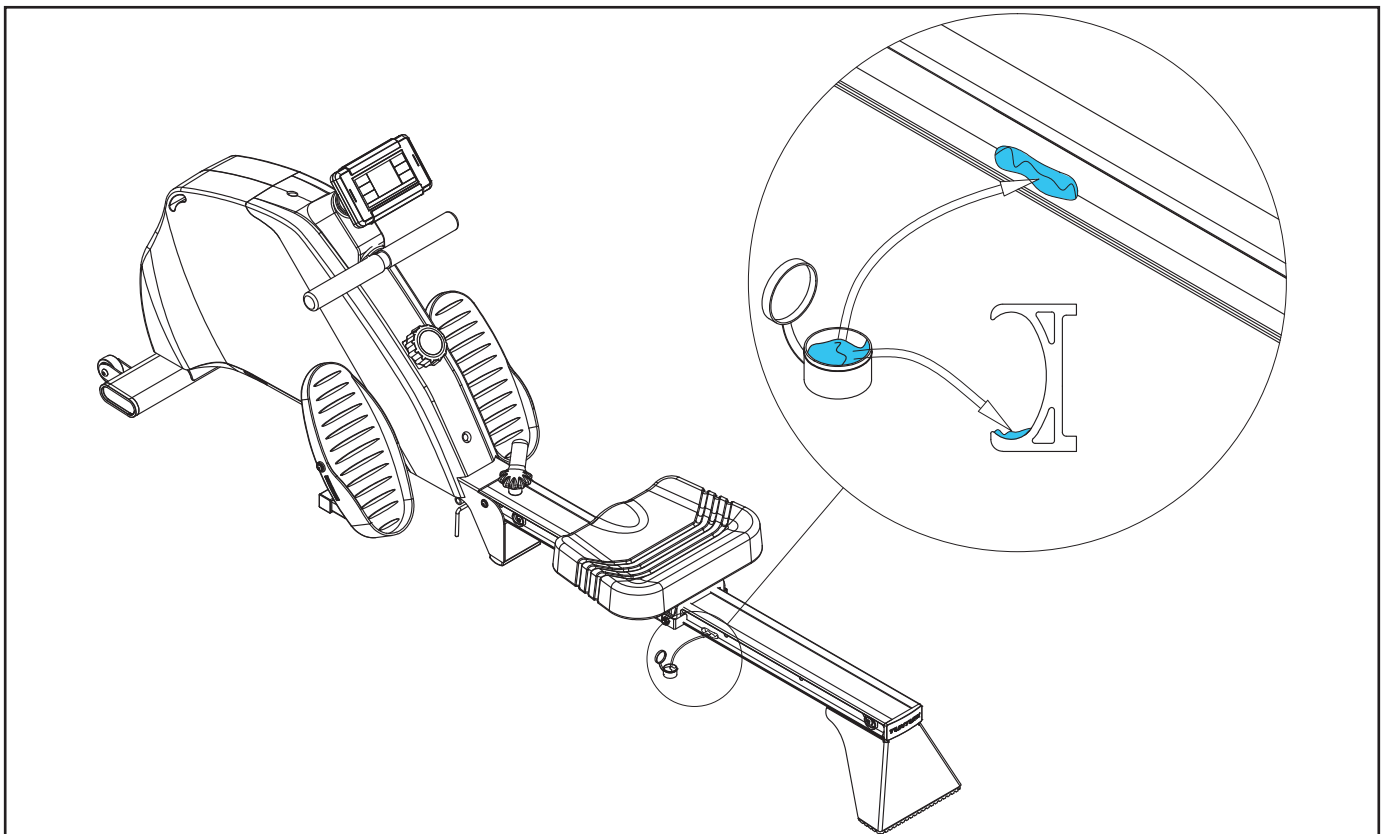




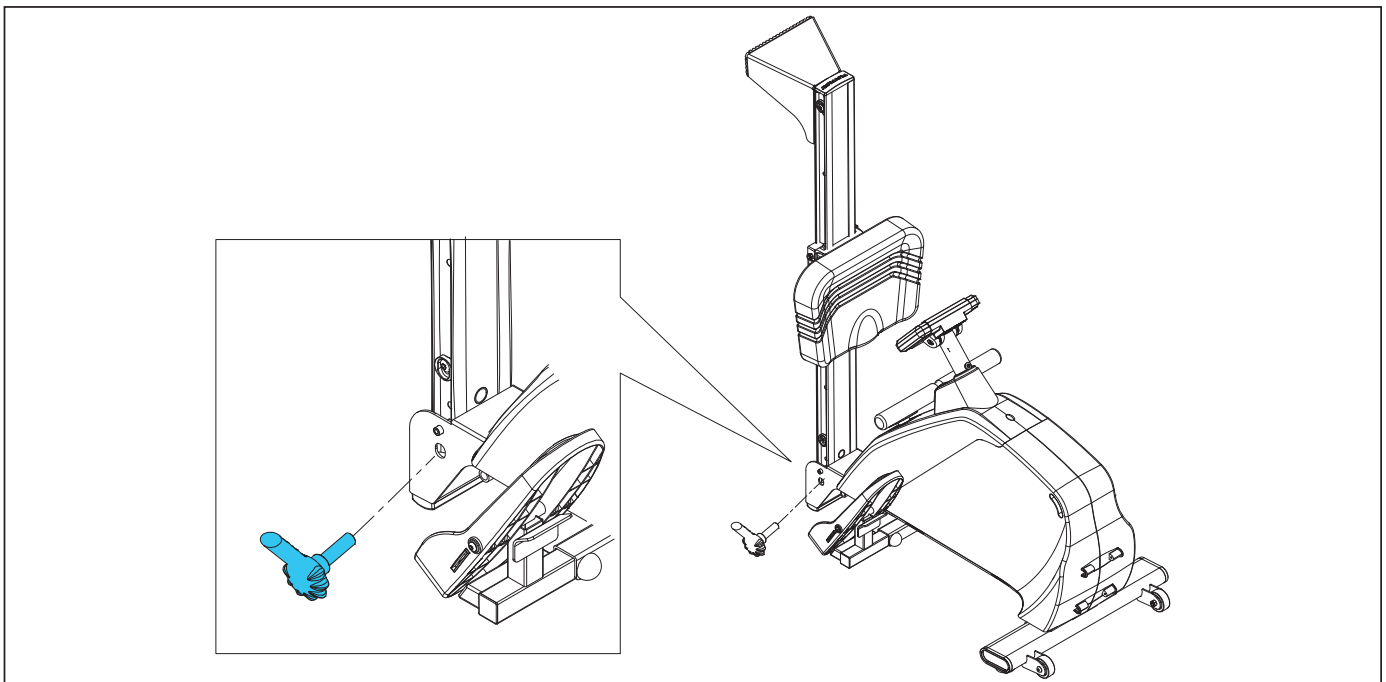
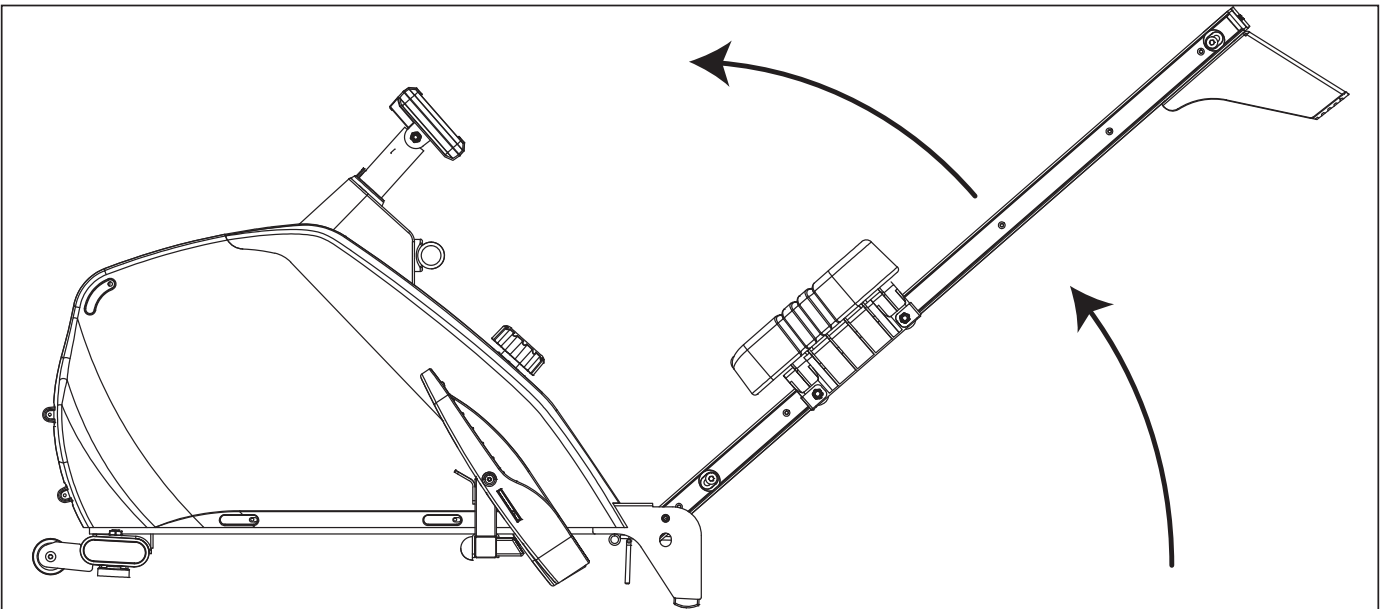
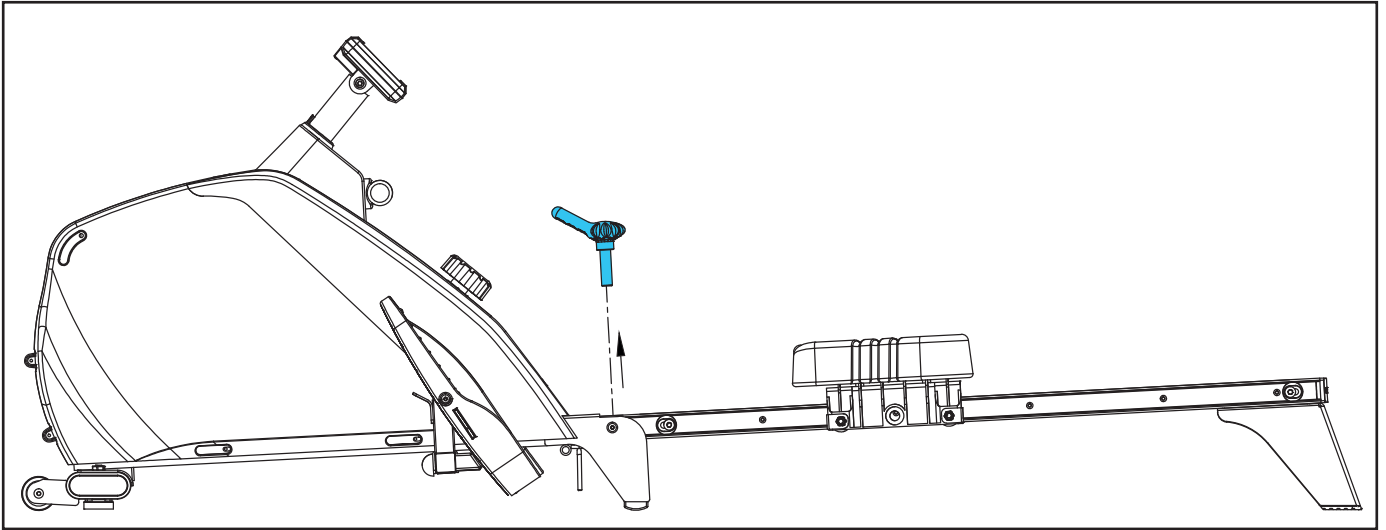
F



G



# H



## Index

|  |           |
|--|-----------|
| <b>Rower</b> .....                           | <b>19</b> |
| <b>Safety warnings</b> .....                 | <b>19</b> |
| <b>Assembly instructions</b> .....           | <b>19</b> |
| Description (fig. A)                         | 19        |
| Package contents (fig. B & C)                | 19        |
| Assembly (fig. D)                            | 20        |
| <b>Workouts</b> .....                        | <b>20</b> |
| Exercise Instructions                        | 20        |
| Heart rate                                   | 20        |
| <b>Use</b> .....                             | <b>21</b> |
| Adjusting the support feet                   | 21        |
| Adjusting resistance                         | 21        |
| Setting clock                                | 21        |
| <b>Console (fig F)</b> .....                 | <b>21</b> |
| Explanation of buttons                       | 21        |
| Explanation of display items                 | 22        |
| Operation                                    | 22        |
| <b>Programs</b> .....                        | <b>22</b> |
| Manual Program                               | 22        |
| Recovery.                                    | 22        |
| <b>Cleaning and maintenance</b> .....        | <b>23</b> |
| Lubrication (fig. G)                         | 23        |
| Replacing the batteries                      | 23        |
| Defects and malfunctions                     | 23        |
| <b>Transport and storage</b> .....           | <b>23</b> |
| Additional information                       | 23        |
| <b>Technical data</b> .....                  | <b>23</b> |
| <b>Warranty</b> .....                        | <b>24</b> |
| <b>Declaration of the manufacturer</b> ..... | <b>24</b> |
| <b>Disclaimer</b> .....                      | <b>24</b> |

## Rower

Welcome to the world of Tunturi!

Thank you for purchasing this piece of Tunturi equipment.

Tunturi offers a wide range of home fitness equipment, including crosstrainers, treadmills, exercise bikes and rowers. The Tunturi equipment is suitable for the entire family, no matter what fitness level. For more information, please visit our website

[www.tunturi.com](http://www.tunturi.com)

## Safety warnings

### ⚠ WARNING

- Read the safety warnings and the instructions. Failure to follow the safety warnings and the instructions can cause personal injury or damage to the equipment. Keep the safety warnings and the instructions for future reference.

### ⚠ WARNING

- Heart rate monitoring systems may be inaccurate.
- Over exercise may result in serious injury or death. If you feel faint stop exercising immediately.

- The equipment is suitable for domestic use only. The equipment is not suitable for commercial use.
- Max. usage is limited to 3 hrs a day.
- The use of this equipment by children or persons with a physical, sensory, mental or motorial disability, or lack of experience and knowledge can give cause to hazards. Persons responsible for their safety must give explicit instructions or supervise the use of the equipment.
- Before starting your workout, consult a physician to check your health.
- If you experience nausea, dizziness or other abnormal symptoms, immediately stop your workout and consult a physician.
- To avoid muscular pain and strain, start each workout by warming up and finish each workout by cooling down. Remember to stretch at the end of the workout.
- The equipment is suitable for indoor use only. The equipment is not suitable for outdoor use.
- Only use the equipment in environments with adequate ventilation. Do not use the equipment in draughty environments in order not to catch a cold.
- Only use the equipment in environments with ambient temperatures between 10 °C and 35 °C. Only store the equipment in environments with ambient temperatures between 5 °C and 45 °C.
- Do not use or store the equipment in humid surroundings. The air humidity must never be more than 80%.
- Only use the equipment for its intended purpose. Do not use the equipment for other purposes than described in the manual.
- Do not use the equipment if any part is damaged or defective. If a part is damaged or defective, contact your dealer.
- Keep your hands, feet and other body parts away from the moving parts.
- Keep your hair away from the moving parts.
- Wear appropriate clothing and shoes.
- Keep clothing, jewellery and other objects away from the moving parts.
- Make sure that only one person uses the equipment at a time. The equipment must not be used by persons weighing more than 120 kg (265 lbs).
- Do not open equipment without consulting your dealer.

## Assembly instructions

### Description (fig. A)

Your upright bike is a piece of stationary fitness equipment used to simulate cycling without causing excessive pressure to the joints.

### Package contents (fig. B & C)

- The package contains the parts as shown in fig. B.
- The package contains the fasteners as shown in fig. C. Refer to the section "Description"

### 📌 NOTE

- If a part is missing, contact your dealer.

## Assembly (fig. D)

### ⚠ WARNING

- Assemble the equipment in the given order.
- Carry and move the equipment with at least two persons.

### ⚠ CAUTION

- Place the equipment on a firm, level surface.
- Place the equipment on a protective base to prevent damage to the floor surface.
- Allow at least 100 cm of clearance around the equipment.
- Refer to the illustrations for the correct assembly of the equipment.

### 🔧 NOTE

- Save the tools provided with this product, after you completed the product assembly, for future service purposes.

## Workouts

The workout must be suitably light, but of long duration. Aerobic exercise is based on improving the body's maximum oxygen uptake, which in turn improves endurance and fitness. You should perspire, but you should not get out of breath during the workout.

To reach and maintain a basic fitness level, exercise at least three times a week, 30 minutes at a time. Increase the number of exercise sessions to improve your fitness level. It is worthwhile to combine regular exercise with a healthy diet. A person committed to dieting should exercise daily, at first 30 minutes or less at a time, gradually increasing the daily workout time to one hour. Start your workout at low speed and low resistance to prevent the cardiovascular system from being subjected to excessive strain.

As the fitness level improves, speed and resistance can be increased gradually. The efficiency of your exercise can be measured by monitoring your heart rate and your pulse rate.

### Exercise Instructions

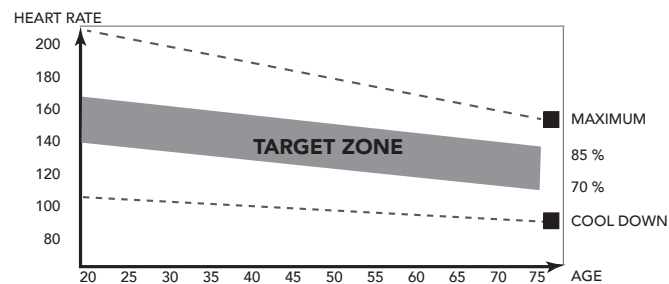
Using your fitness trainer will provide you with several benefits, it will improve your physical fitness, tone muscle and in conjunction with a calorie controlled diet help you lose weight.

#### The warming up phase

This stage helps get the blood flowing around the body and the muscles working properly. It will also reduce the risk of cramp and muscle injury. It is advisable to do a few stretching exercises as shown below. Each stretch should be held for approximately 30 seconds, do not force or jerk your muscles into a stretch - if it hurts, STOP

#### The exercise phase

This is the stage where you put the effort in. After regular use, the muscles in your legs will become more flexible. Work to your but it is very important to maintain a steady tempo throughout. The rate of work should be sufficient to raise your heart beat into the target zone shown on the graph below.



This stage should last for a minimum of 12 minutes though most people start at about 15-20 minutes

#### The cool down phase

This stage is to let your Cardiovascular System and muscles wind down. This is a repeat of the warm up exercise e.g. reduce your tempo, continue for approximately 5 minutes. The stretching exercises should now be repeated, again remembering not to force or jerk your muscles into the stretch.

As you get fitter you may need to train longer and harder. It is advisable to train at least three times a week, and if possible space your workouts evenly throughout the week.

#### Muscle toning

To tone muscle while on your fitness trainer you will need to have the resistance set quite high. This will put more strain on our leg muscles and may mean you cannot train for as long as you would like. If you are also trying to improve your fitness you need to alter your training program. You should train as normal during the warm up and cool down phases, but towards the end of the exercise phase you should increase resistance making your legs work harder. You will have to reduce your speed to keep your heart rate in the target zone.

#### Weight loss

The important factor here is the amount of effort you put in. The harder and longer you work the more calories you will burn. Effectively this is the same as if you were training to improve your fitness, the difference is the goal.

### Heart rate

#### Heart rate measurement (heart rate chest belt)

##### 🔧 NOTE

- A chest strap does not come standard with this trainer. When you like to use a wireless chest strap you need to purchase this as an accessory.

The most accurate heart rate measurement is achieved with a heart rate chest belt. The heart rate is measured by a heart rate receiver in combination with a heart rate transmitter belt. Accurate heart rate measurement requires that the electrodes on the transmitter belt are slight moist and constantly touching the skin. If the electrodes are too dry or too moist, the heart rate measurement will become less accurate.

##### ⚠ WARNING

- If you have a pacemaker, consult a physician before using a heart rate chest belt.

**⚠ CAUTION**

- If there are several heart rate measurement devices next to each other, make sure that the distance between them is at least 1.5 metres.
- If there is only one heart rate receiver and several heart rate transmitters, make sure that only one person with a transmitter is within transmission range.

**🔧 NOTE**

- Always wear the heart rate chest belt under your clothes directly in contact with your skin. Do not wear the heart rate chest belt above your clothes. If you wear the heart rate chest belt above your clothes, there will be no signal.
- If you set a heart rate limit for your workout, an alarm will sound when it is exceeded.
- The transmitter transmits the heart rate to the console up to a distance of 1 metre. If the electrodes are not moist, the heart rate will not appear on the display.
- Some fibers in clothes (e.g. polyester, polyamide) create static electricity which can prevent accurate heart rate measurement.
- Mobile phones, televisions and other electrical appliances create an electromagnetic field which can prevent accurate heart rate measurement.

**Maximum heart rate  
(during training)**

The maximum heart rate is the highest heart rate a person can safely achieve through exercise stress. The following formula is used to calculate the average maximum heart rate:  $220 - \text{AGE}$ . The maximum heart rate varies from person to person.

**⚠ WARNING**

- Make sure that you do not exceed your maximum heart rate during your workout. If you belong to a risk group, consult a physician.

**Beginner****50-60% of maximum heart rate**

Suitable for beginners, weight-watchers, convalescents and persons who have not exercised for a long time. Exercise at least three times a week, 30 minutes at a time.

**Advanced****60-70% of maximum heart rate**

Suitable for persons who want to improve and maintain fitness. Exercise at least three times a week, 30 minutes at a time.

**Expert****70-80% of maximum heart rate**

Suitable for the fittest of persons who are used to long-endurance workouts.

**Use****Adjusting the support feet**

The equipment is equipped with 2 support feet. If the equipment is not stable, the support feet can be adjusted.

- Turn the support feet as required to put the equipment in a stable position.
- Tighten the locknuts to lock the support feet.

**🔧 NOTE**

- The machine is the most stable when all support feet are turned fully in. Therefore start to level the machine by turning all support feet fully in, before turning out the required support feet to stable the machine.

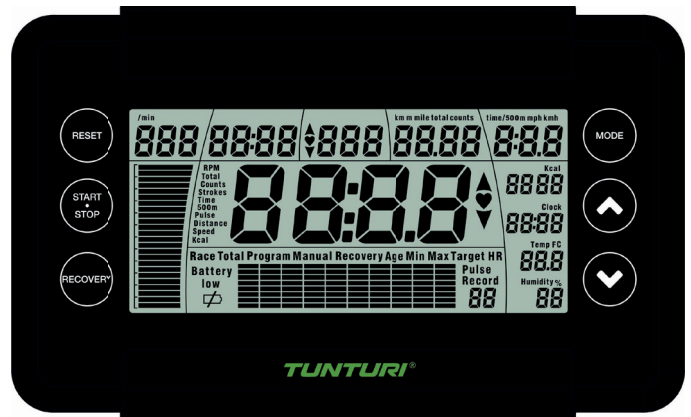
**Adjusting resistance**

To increase or decrease resistance, turn the adjustment knob at the top of the handlebar support tube clockwise (+ direction) to increase resistance and counter-clockwise (- direction) to decrease resistance.

The scale above the knob (1-8) helps you find and set a suitable resistance.

**Setting clock**

- Press and hold the MODE button and the RESET button for 2 seconds to reset the meter.
- Press the UP button or the DOWN button to set the clock.

**Console (fig F)****⚠ CAUTION**

- Keep the console away from direct sunlight.
- Dry the surface of the console when it is covered with drops of sweat.
- Do not lean on the console.
- Only touch the display with the tip of your finger. Make sure that your nails or sharp objects do not touch the display.

**🔧 NOTE**

- The console switches to standby mode when the equipment is not used for 4 minutes. If the console is in standby mode, the display shows the room temperature

**Explanation of buttons****Mode**

Press the button to confirm your selection.

**Start/ Stop**

Press the button to start the training.

Press the button again to pause the training (max. 5 minutes).

Press the button again to continue the training.

Press and hold the button to stop the training.

**Recovery**

Press the button to calculate your recovery heart rate after a workout.

**Reset**

Press the button to return to the menu.

Press and hold the button to reset the meter.

**Up**

Setting the goal values

**Down**

Setting the goal values

**Explanation of display items****Strokes**

Strokes per minute as a numbered value (/min) and as a graphical representation (bars).

**Time**

Duration (hh:mm and mm:ss) for the workout.

**Pulse**

Heart rate limit (bpm) during the workout. The heart symbol flashes simultaneously with your own heart rate. The arrow sign appears when your heart rate reaches above or below the set heart rate limits.

**Distance**

Distance (km) for the workout.

**Speed/ RPM**

Speed (km/h) or RPM (rev/min) for the workout.

**Calories**

Energy consumption (kcal) for the workout.

**NOTE**

- This data is a rough guide for comparison of different exercise sessions which cannot be used in medical treatment.

**Clock**

Real-time clock.

**Temperature**

Room temperature (°C)

**Humidity**

Room humidity (%).

**Workout value**

Selected workout value.

**Workout profile**

Selected workout profile.

**Cumulative heart rate**

Heart rate profile during the workout.

**Battery low warning**

Warning sign to replace the batteries.

**Operation****Power on**

- Press any key to power on the console when being in sleep mode.

**Before use**

- Press the UP button or the DOWN button to select a menu item.
- Press the MODE button to confirm.
- Press the UP button or the DOWN button to change the value for the selected menu item.
- Press the MODE button to confirm.

**During use**

The menu constantly shows the values for the menu items. The different values flash on the display one after another every 6 seconds.

- Press the MODE button to stop automatic scanning of the values for the different menu items.
- Press the MODE button as many times as required to show information for a specific menu item.
- Turn the resistance adjustment knob to change the resistance.

**NOTE**

- If you set target values, an alarm will sound and the training stops automatically when the first of the specified target values is reached.

**Programs****Manual Program**

- Press the UP button or the DOWN button to set the time. Press the MODE button to confirm.
- Press the UP button or the DOWN button to set the distance. Press the MODE button to confirm.
- Press the UP button or the DOWN button to set the energy consumption. Press the MODE button to confirm.
- Press the UP button or the DOWN button to set the heart rate limit. Press the MODE button to confirm.
- Press the START/STOP button to start the workout. If you have set target values, the values start to count down.

**Recovery**

Measuring the recovery pulse.

Measure your recovery pulse rate at the end of the workout.

- The RECOVERY function will only be valid if pulse is detected.
- To start the measuring of the recovery pulse rate, press RECOVERY. The display also shows the word "Recovery".
- The measuring starts automatically and takes two minutes.
- Upon completion of the measurement, the display shows the recovery rate as a percentage. The smaller the rate, the fitter you are. Please note that your results are in a relation to the pulse level in the beginning of the measurement, and that your results are personal and cannot directly be compared with any other person's results. In order to improve the reliability of recovery pulse measurement, always try to standardize the measurement situation as accurately as possible; start measuring at the same heart rate level as precisely as possible.
- To switch back to the main display by pressing RESET. The console

will also automatically switch to the main display one minute after the completion of the measurement.

#### NOTE

- When the Recovery result shows a negative figure, it means that your heart rate at the end of the measurement was higher than at the start.
- ERR is shown when there is no heart rate detected.

## Cleaning and maintenance

The equipment does not require special maintenance. The equipment does not require recalibration when it is assembled, used and serviced according to the instructions.

#### WARNING

- Do not use solvents to clean the equipment.
- Clean the equipment with a soft, absorbent cloth after each use.
- Regularly check that all screws and nuts are tight.
- If necessary, lubricate the joints.

#### Lubrication (fig. G)

The equipment must be lubricated regularly, but only if necessary.

- If necessary, apply a little lubricant as shown.

#### Replacing the batteries

The console is equipped with 2 AA batteries at the rear of the console.

- Remove the cover.
- Remove the old batteries.
- Insert the new batteries. Make sure that batteries match the (+) and (-) polarity markings.
- Mount the cover.

#### Defects and malfunctions

Despite continuous quality control, defects and malfunctions caused by individual parts can occur in the equipment. In most cases, it will be sufficient to replace the defective part.

- If the equipment does not function properly, immediately contact the dealer.
- Provide the model number and the serial number of the equipment to the dealer. State the nature of the problem, conditions of use and purchase date.

#### Trouble shooting:

- When the display of LCD is dim, it means the batteries need to be changed.
- If there is no signal when you pedal, please check if the cable is well connected.

#### NOTE

- When stop training for 4 minutes, the main screen will be off.
- If the computer displays abnormally, please re-install the batteries and try again.

## Transport and storage

#### WARNING

- Carry and move the equipment with at least two persons.
- Remain standing in front of the equipment on each side and take a sturdy grip at the handlebars. Tilt the front of the equipment so as to lift the rear of the equipment on the wheels. Move the equipment and carefully put the equipment down. Place the equipment on a protective base to prevent damage to the floor surface.
- Move the equipment carefully over uneven surfaces. Do not move the equipment upstairs using the wheels, but carry the equipment by the handlebars.
- Store the equipment in a dry place with as little temperature variation as possible.

## Additional information

#### Packaging disposal

Government guidelines ask that we reduce the amount of waste material disposed of in land fill sites. We therefore ask that you dispose of all packaging waste responsibly at public recycling centres.

#### End of life disposal

We at Tunturi hope you enjoy many years of enjoyable use from your fitness trainer. However, a time will come when your fitness trainer will come to the end of its useful life. Under 'European WEEE Legislation you are responsible for the appropriate disposal of your fitness trainer to a recognised public collection facility.

## Technical data

| Parameter        | Unit of measurement | Value      |
|------------------|---------------------|------------|
| Length           | cm<br>inch          | 201<br>79  |
| Width            | cm<br>inch          | 54<br>21   |
| Height           | cm<br>inch          | 80<br>31   |
| Weight           | kg<br>lbs           | 31,6<br>70 |
| Max. user weight | kg<br>lbs           | 120<br>265 |
| Battery size     | 2pcs                | AA         |

## Warranty

---

### Tunturi purchaser's warranty

#### Warranty terms

The consumer is entitled to the applicable legal rights stated in the national legislation concerning the commerce of consumer goods. This warranty does not restrict these rights. The Purchaser's Warranty is only valid if the item is used in an environment approved by Tunturi New Fitness BV for that particular equipment. The product-specific approved environment is stated in the Owner's Manual provided with your equipment.

#### Warranty conditions

The warranty conditions commence from the date of purchase. Warranty conditions may vary per country, so please consult your local dealer for the warranty conditions.

#### Warranty coverage

Under no circumstances shall Tunturi New Fitness BV or the Tunturi Distributor be liable by virtue of this warranty or otherwise for any special, indirect, secondary or consequential damages of any nature arising out of any use or inability to use this equipment.

#### Warranty limitations

This warranty covers manufacturing defects in the fitness equipment as originally packed by Tunturi New Fitness BV. The warranty shall apply only under conditions of normal, recommended use of the product as described in the Owner's Manual and providing that Tunturi New Fitness BV's instructions for installation, maintenance and use have been complied with. Neither Tunturi New Fitness BV's nor the Tunturi Distributors' obligations apply to defects due to reasons beyond their control. The warranty applies only to the original purchaser and is valid only in countries where Tunturi New Fitness BV has an authorised importer. The warranty does not extend to fitness equipment or components that have been modified without the consent of Tunturi New Fitness BV. Defects resulting from normal wear, misuse, abuse, corrosion, or damage incurred during loading or transportation are not covered.

The warranty does not cover sounds or noises emitted during use where these do not substantially impede the use of the equipment and where they are not caused by a fault in the equipment. The warranty does not cover defects arising from the failure to carry periodic maintenance as outlined within the Owner's Manual for the product. Furthermore, the warranty does not cover defects arising from usage and storage within an unsuitable environment as described within the Owner's Manual which should be indoors, dry, dust and grit free and within a temperature range of +15°C to +35°C. The warranty does not cover maintenance activities, such as cleaning, lubricating, and normal part adjustments, nor installation

procedures that customers can accomplish themselves, such as changing uncomplicated meters, pedals and other similar parts not requiring any dismantling/reassembling of the fitness equipment. Warranty repairs carried out by other than authorised Tunturi representatives are not covered. Failure to follow the instructions given in the Owner's Manual will invalidate the product's warranty.

## Declaration of the manufacturer

---

Tunturi New Fitness BV declares that the product is in conformity with the following standards and directives: EN 957 (HB), 89/336/EEC. The product therefore carries the CE label.

01-2017

Tunturi New Fitness BV  
Purmerweg 1  
1311 XE Almere  
The Netherlands

## Disclaimer

---

© 2017 Tunturi New Fitness BV  
All rights reserved.

The product and the manual are subject to change. Specifications can be changed without further notice.



## Deutsch

Diese deutsche Bedienungsanleitung ist eine Übersetzung des englischen Textes. Es können keine Rechte auf diese Übersetzung abgeleitet werden.

## Index

|  |           |
|--|-----------|
| <b>Ruderggerät .....</b>                 | <b>25</b> |
| <b>Warnhinweise zur Sicherheit .....</b> | <b>25</b> |
| <b>Montageanleitungen .....</b>          | <b>26</b> |
| Beschreibung (fig. A)                    | 26        |
| Verpackungsinhalt (Abb. B & C)           | 26        |
| Zusammenbau (Abb. D)                     | 26        |
| <b>Trainings .....</b>                   | <b>26</b> |
| Trainingsanleitung                       | 26        |
| Herzfrequenz                             | 27        |
| <b>Gebrauch .....</b>                    | <b>27</b> |
| Einstellen der Stützfüße                 | 27        |
| Widerstand einstellen                    | 27        |
| Einstellen der Uhr                       | 27        |
| <b>Konsole (Abb F).....</b>              | <b>28</b> |
| Erklärung der Tasten                     | 28        |
| Erklärung der Anzeigefunktionen          | 28        |
| Bedienung                                | 28        |
| <b>Programs .....</b>                    | <b>29</b> |
| Manuelles Programm                       | 29        |
| Recovery                                 | 29        |
| <b>Reinigung und Wartung.....</b>        | <b>29</b> |
| Schmierung (Abb. G)                      | 29        |
| Erneuerung der Batterien                 | 29        |
| Störungen und Fehlfunktionen             | 29        |
| <b>Transport und Lagerung .....</b>      | <b>30</b> |
| Zusätzliche Informationen                | 30        |
| <b>Technische Daten.....</b>             | <b>30</b> |
| <b>Garantie.....</b>                     | <b>30</b> |
| <b>Herstellereklärung.....</b>           | <b>31</b> |
| <b>Haftungsausschluss.....</b>           | <b>31</b> |

## Ruderggerät

Willkommen in der Welt von Tunturi!

Danke, dass Sie dieses Gerät von Tunturi erworben haben. Tunturi bietet eine breite Palette an Heim-Fitnessgeräten wie beispielsweise Crosstrainer, Laufbänder, Trainingsfahrräder und Ruderggeräte an. Die Tunturi Geräte sind für die ganze Familie geeignet - ganz egal, wie fit man ist. Weitere Informationen finden Sie auf unserer Website unter [www.tunturi.com](http://www.tunturi.com)

## Warnhinweise zur Sicherheit

### ⚠️ WARNUNG

- Lesen Sie die Warnhinweise zur Sicherheit und die Anweisungen. Werden die Warnhinweise zur Sicherheit und die Anweisungen nicht befolgt, kann dies zu Personenverletzungen und Schäden am Gerät führen. Bewahren Sie die Warnhinweise zur Sicherheit und die Anweisungen zur künftigen Bezugnahme auf.

### ⚠️ WARNUNG

- Herzfrequenz-Überwachungssysteme können ungenau sein.
  - Eine Überanstrengung kann zu schweren Schädigungen oder zum Tod führen. Wenn Sie sich schwach oder ohnmächtig fühlen, stellen Sie die Übungen unverzüglich ein.
- Das Gerät ist nur für den Hausgebrauch geeignet. Das Gerät ist nicht für den gewerblichen Gebrauch geeignet.
  - Die maximale Verwendung ist auf 3 Stunden pro Tag beschränkt
  - Wenn dieses Gerät von Kindern oder Personen mit körperlicher, sensorischer, geistiger oder motorischer Behinderung verwendet wird, oder wenn nicht genügend Erfahrung und Kenntnisse vorhanden sind, kann dies zu Gefahrensituationen führen. Personen, die für deren Sicherheit verantwortlich sind, müssen klare Anweisungen geben oder den Gebrauch des Geräts beaufsichtigen.
  - Bevor Sie Ihr Training starten, nehmen Sie Kontakt mit einem Arzt auf, um Ihre Gesundheit kontrollieren zu lassen.
  - Falls Sie Übelkeit, ein Schwindelgefühl oder andere anormale Symptome verspüren, hören Sie unverzüglich mit Ihrem Training auf und wenden Sie sich an einen Arzt.
  - Um einen Muskelkater zu vermeiden, starten Sie jedes Training mit Aufwärmen und beenden Sie es mit Abkühlen. Denken Sie daran, sich am Ende des Trainings zu dehnen.
  - Das Gerät ist nur für den Gebrauch in geschlossenen Räumen geeignet. Das Gerät ist nicht für den Gebrauch im Freien geeignet.
  - Verwenden Sie das Gerät nur in Umgebungen mit ausreichender Belüftung. Verwenden Sie das Gerät nicht in zugiger Umgebung, damit Sie sich nicht erkälten.
  - Verwenden Sie das Gerät nur in Umgebungen mit Umgebungstemperaturen zwischen 10 °C und 35 °C. Lagern Sie das Gerät nur in Umgebungen mit einer Umgebungstemperatur zwischen 5 °C und 45 °C.
  - Verwenden und lagern Sie das Gerät nicht in feuchten Umgebungen. Die Luftfeuchtigkeit darf niemals 80% überschreiten.
  - Verwenden Sie das Gerät nur bestimmungsgemäß. Verwenden Sie das Gerät nicht für einen anderen als für den in diesem Handbuch beschriebenen Zweck.
  - Verwenden Sie das Gerät nicht, falls Teile beschädigt oder defekt sind. Ist ein Teil beschädigt oder defekt, wenden Sie sich an Ihren Händler.
  - Halten Sie Ihre Hände, Füße und andere Körperteile von den beweglichen Teilen fern.
  - Halten Sie Ihr Haar von den beweglichen Teilen fern.
  - Tragen Sie entsprechende Kleidung und Schuhe.
  - Halten Sie Kleidung, Schmuck und andere Gegenstände von den beweglichen Teilen fern.
  - Vergewissern Sie sich, dass das Gerät nur von einer Person auf einmal verwendet wird. Das Gerät darf nicht von Personen verwendet werden, deren Gewicht 120 kg (265 lbs) überschreitet.

- Öffnen Sie das Gerät nicht, ohne vorher mit Ihrem Händler zu sprechen.

## Montageanleitungen

### Beschreibung (fig. A)

Ihr Standfahrrad ist ein ortsgebundenes Fitnessgerät, das zur Simulation des Fahrradfahrens verwendet wird, ohne dabei einen übermäßigen Druck auf die Gelenke auszuüben.

### Verpackungsinhalt (Abb. B & C)

- Die Verpackung enthält die in Abb. B dargestellten Teile.
- Die Verpackung enthält die Befestigungsteile gemäß Abb. C. Siehe Abschnitt "Beschreibung".

#### ⚠ HINWEIS

- Fehlt ein Teil, wenden Sie sich an Ihren Händler.

### Zusammenbau (Abb. D)

#### ⚠ WARNUNG

- Bauen Sie das Gerät in der angegebenen Reihenfolge zusammen.
- Tragen und bewegen Sie das Gerät mit mindestens zwei Personen.

#### ⚠ VORSICHT

- Stellen Sie das Gerät auf festen, ebenen Boden.
- Stellen Sie das Gerät auf eine schützende Unterlage, um Schäden am Bodenbelag zu vermeiden.
- Sorgen Sie rund um das Gerät für einen Freiraum von mindestens 100 cm.
- Der richtige Zusammenbau des Geräts geht aus den Abbildungen hervor.

#### ⚠ HINWEIS

- Heben Sie die Werkzeuge für künftige Zwecke auf, die zu diesem Produkt geliefert wurden, wenn Sie die Montage beendet haben.

## Trainings

Das Training muss leicht und geeignet, aber von langer Dauer sein. Aerobic-Übungen basieren auf der Verbesserung der maximalen Sauerstoffaufnahme des Körpers, was wiederum die Ausdauer und Fitness verbessert. Sie sollten während des Trainings zwar ins Schwitzen, aber nicht außer Atem kommen.

Um eine Basisfitness zu erreichen und zu halten, üben Sie mindestens drei mal pro Woche 30 Minuten lang an einem Stück. Erhöhen Sie die Anzahl der Übungssitzungen, um Ihre Fitness zu verbessern. Es lohnt sich, die regelmäßigen Übungen mit einer gesunden Diät zu kombinieren. Personen, die Diät machen, sollten täglich zuerst 30 Minuten oder weniger an einem Stück üben und die tägliche Trainingszeit allmählich auf eine Stunde verlängern. Beginnen Sie Ihr Training mit niedriger Geschwindigkeit und geringem Widerstand, um zu vermeiden, dass das Herzkreislaufsystem einer übermäßigen Belastung ausgesetzt wird. Mit sich verbessernder Fitness können Geschwindigkeit und Widerstand allmählich erhöht werden. Die Wirksamkeit Ihrer Übungen kann durch Überwachung der Herzfrequenz und Ihrer Pulsfrequenz gemessen werden.

## Trainingsanleitung

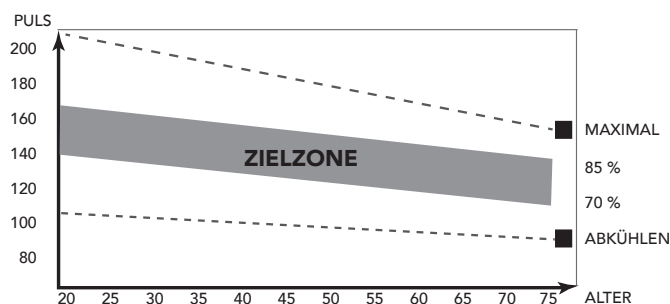
Die Verwendung des Fitnesstrainers wird Ihnen viele Vorteile bieten: Er verbessert Ihre körperliche Fitness, formt die Muskeln und hilft Ihnen, in Verbindung mit einer kalorienreduzierten Diät, Gewicht zu verlieren.

### Die Aufwärm-Phase

Der Blutkreislauf wird angeregt und die Muskelfunktionen werden unterstützt. Außerdem wird das Risiko von Krämpfen und Muskelverletzungen gesenkt. Sie sollten, wie unten angezeigt, einige Dehnungsübungen machen. Sie sollten weder die Dehnungsbewegung erzwingen noch die Muskeln dabei ruckweise bewegen - wenn Sie Schmerzen haben, sollten Sie AUFHÖREN.

### Die Trainings-Phase

In dieser Phase strengen Sie sich an. Nach regelmäßiger Verwendung werden die Muskeln in Ihren Beinen beweglicher. In dieser Phase ist es sehr wichtig, immer ein gleichmäßiges Tempo beizubehalten. Die Anstrengung sollte ausreichen, um Ihren Herzschlag bis in die Zielzone zu erhöhen, die im folgenden Diagramm dargestellt ist.



Diese Phase sollte mindestens 12 Minuten dauern; die meisten Menschen beginnen mit ca. 15 bis 20 Minuten.

### Die Abkühlungs-Phase

Sie dient der Entspannung Ihres Herz-Kreislaufsystems und Ihrer Muskeln. Dabei werden die Aufwärmübungen wiederholt, reduzieren Sie zum Beispiel Ihr Tempo und machen Sie ca. 5 Minuten weiter. Jetzt sollten die Dehnübungen wiederholt werden. Denken Sie wiederum daran, weder die Dehnungsbewegung zu erzwingen noch die Muskeln dabei ruckweise zu bewegen.

Wenn Sie fitter werden, kann es sein, dass Sie länger und härter trainieren müssen. Sie sollten mindestens drei Mal die Woche trainieren und, falls möglich, Ihre Trainingseinheiten gleichmäßig über die Woche verteilen.

### Muskelformung

Um Ihre Muskeln beim Training auf dem Fitnesstrainer zu formen, müssen Sie den Widerstand ziemlich hoch einstellen. Dadurch werden die Beinmuskeln mehr angestrengt und Sie können möglicherweise nicht so lange trainieren, wie Sie möchten. Wenn Sie außerdem Ihre Fitness verbessern möchten, müssen Sie Ihr Trainingsprogramm ändern. Sie sollten in den Aufwärm- und Abkühlphasen normal trainieren, jedoch gegen Ende der Trainingsphase den Widerstand erhöhen, damit Ihre Beine härter arbeiten müssen. Sie müssen die Geschwindigkeit verringern, damit Ihre Herzfrequenz in der Zielzone bleibt.

### Gewichtsabnahme

Der wichtige Faktor ist, wie sehr Sie sich anstrengen. Je härter und je länger Sie trainieren, desto mehr Kalorien verbrennen Sie. Dies ist im

Grunde dasselbe, wie wenn zur Verbesserung Ihrer Fitness trainieren, nur das Ziel ist ein anderes.

## Herzfrequenz

### Herzfrequenzmessung (Herzfrequenz-Brustgürtel)

#### ⚠ HINWEIS

- Ein Brustgurt wird nicht Standardmäßig bei diesem Trainer geliefert. Wenn Sie einen kabellosen Brustgurt verwenden möchten, müssen Sie diesen als Zubehör erwerben

Die genaueste Herzfrequenzmessung lässt sich mit einem Herzfrequenz-Brustgürtel erzielen. Die Herzfrequenz wird mit einem Herzfrequenzempfänger in Kombination mit einem Herzfrequenz-Sendegürtel gemessen. Für eine genaue Herzfrequenzmessung ist es erforderlich, dass die Elektroden am Sender etwas feucht sind und die Haut konstant berühren. Sind die Elektroden zu trocken oder zu feucht, wird die Herzfrequenzmessung weniger genau.

#### ⚠ WARNUNG

- Falls Sie einen Schrittmacher haben, wenden Sie sich zunächst an einen Arzt, bevor Sie einen Herzfrequenz-Brustgürtel verwenden.

#### ⚠ VORSICHT

- Falls sich mehrere Herzfrequenz-Messgeräte in gegenseitiger Nähe befinden, vergewissern Sie sich, dass der Abstand zwischen ihnen mindestens 1,5 Meter beträgt.
- Falls nur ein Herzfrequenzempfänger und mehrere Herzfrequenzsender vorhanden sind, vergewissern Sie sich, dass nur eine Person mit einem Sender in Sendereichweite ist.

#### ⚠ HINWEIS

- Tragen Sie den Herzfrequenz-Brustgürtel stets mit direktem Hautkontakt unter Ihrer Kleidung. Tragen Sie den Herzfrequenz-Brustgürtel nicht auf Ihrer Kleidung. Falls Sie den Herzfrequenz-Brustgürtel auf Ihrer Kleidung tragen, gibt es kein Signal.
- Wenn Sie sich einen Herzfrequenz-Grenzwert für Ihr Training setzen, ertönt beim Überschreiten ein Signal.
- Der Sender überträgt die Herzfrequenz in einem Abstand bis zu 1 Meter zur Konsole. Sind die Elektroden nicht feucht, erscheint die Herzfrequenz nicht auf der Anzeige.
- Einige Fasern in der Kleidung (z.B. Polyester, Polyamid) erzeugen statische Elektrizität, die eine genaue Herzfrequenzmessung verhindern kann.
- Mobiltelefone, Fernsehgeräte und andere Elektrogeräte erzeugen ein elektromagnetisches Feld, das eine genaue Herzfrequenzmessung verhindern kann.

### Maximale Herzfrequenz (während des Trainings)

Die maximale Herzfrequenz ist die höchste Herzfrequenz, die eine Person durch Übungsbelastung sicher erzielen kann. Folgende Formel wird zur Berechnung der durchschnittlichen maximalen Herzfrequenz verwendet:  $220 - \text{ALTER}$ . Die maximale Herzfrequenz variiert von Person zu Person.

#### ⚠ WARNUNG

- Stellen Sie sicher, dass Sie während des Trainings Ihre maximale Herzfrequenz nicht überschreiten. Falls Sie einer Risikogruppe angehören, wenden Sie sich an einen Arzt.

### Anfänger

#### 50-60% der maximalen Herzfrequenz

Geeignet für Anfänger, Gewicht- Beobachter, Genesende und Personen, die schon lange nicht mehr trainiert haben. Trainieren Sie mindestens dreimal pro Woche 30 Minuten an einem Stück.

### Fortgeschritten

#### 60-70% der maximalen Herzfrequenz

Geeignet für Personen, die ihre Fitness verbessern und halten wollen. Trainieren Sie mindestens dreimal pro Woche 30 Minuten an einem Stück.

### Experte

#### 70-80% der maximalen Herzfrequenz

Geeignet für die fittesten Personen, die sich an lange Ausdauertrainings gewöhnt haben.

## Gebrauch

### Einstellen der Stützfüße

Das Gerät hat 2 Stützfüße. Steht das Gerät nicht stabil, kann es mit den Stützfüßen eingestellt werden.

- Drehen Sie die Stützfüße wie erforderlich, um das Gerät in eine stabile Position zu bringen.
- Ziehen Sie die Sicherungsmuttern an, um die Stützfüße zu sichern.

#### ⚠ HINWEIS

- Die Maschine steht am stabilsten, wenn alle Stützfüße vollständig eingeschraubt sind. Nivellieren Sie die Maschine daher, indem Sie alle Stützfüße vollständig eindrehen, bevor Sie die entsprechenden Füße zur Stabilisierung der Maschine wieder herausdrehen.

### Widerstand einstellen

Zum Erhöhen oder Verringern des Widerstands. Drehen Sie den Widerstandstaste am Lenker in der + (Uhrzeigersinn) oder - (gegen den Uhrzeigersinn)

Die Verteilung (1-8) hilft mit dem Suchen der richtigen Einstellung

### Einstellen der Uhr

- Drücken und halten Sie die MODE-Taste und die RESET-Taste 2 Sekunden
- lang, um das Messgerät zurückzusetzen.
- Drücken Sie auf die UP- oder DOWN-Taste, um die Uhr einzustellen.

## Konsole (Abb F)



### ⚠ VORSICHT

- Halten Sie die Konsole von direkter Sonneneinstrahlung fern.
- Trocknen Sie die Oberfläche der Konsole, wenn Sie mit Schweißtropfen bedeckt ist.
- Lehnen Sie sich nicht auf die Konsole.
- Berühren Sie die Anzeige nur mit Ihrer Fingerspitze. Vergewissern Sie sich, dass Ihre Nägel oder andere scharfe Gegenstände die Anzeige nicht berühren.

### ⓘ HINWEIS

- Die Konsole schaltet in den Standby-Modus, wenn das Gerät 4 Minuten lang nicht verwendet wird.

## Erklärung der Tasten

### Mode

Einstellung oder Auswahl bestätigen.

### Start/ Stop

Drücken Sie auf die Taste, um das Training zu starten.

Drücken Sie erneut auf die Taste, um eine Trainingspause einzulegen (max. 5 Minuten).

Drücken Sie erneut auf die Taste, um das Training fortzusetzen.

Drücken und halten Sie die Taste, um das Training zu stoppen.

### Recovery

Drücken Sie auf die Taste, um Ihre Erholungs- Herzfrequenz nach dem Training berechnen zu lassen.

### Reset

Drücken Sie auf die Taste, um zum Menü zurückzugelangen.

Drücken und halten Sie die Taste, um das Messgerät zurückzusetzen.

### Up

Einstellung der Zielwerte

### Down

Einstellung der Zielwerte

## Erklärung der Anzeigefunktionen

### Strokes (Ruderbewegungen)

Ruderbewegungen pro Minute als Zahlenwert (/min) und als grafische Darstellung (Balken)..

### Time (Zeit)

Dauer (hh:mm und mm:ss) des Trainings.

### Pulse (Puls)

Herzfrequenz-Grenzwert (BPM) während des Trainings. Das Herzsymbol blinkt gleichzeitig mit Ihrer eigenen Herzfrequenz. Das Pfeilsymbol erscheint, wenn Ihre Herzfrequenz den eingestellten Herzfrequenz-Grenzwert über- oder unterschreitet.

### Distance (Distanz)

Distanz (km) des Trainings.

### Speed/ RPM (Geschwindigkeit/ U/minM)

Geschwindigkeit (km/h) oder U/min des Trainings.

### Calories (Kalorien)

Energieverbrauch (kcal) durch das Training.

### ⓘ HINWEIS

- Diese Daten sind ein grober Anhaltspunkt für den Vergleich verschiedener Trainingssitzungen. Sie können jedoch nicht für eine medizinische Behandlung verwendet werden.

### Clock (Uhr)

Echtzeituhr.

### Temperature (Temperatur)

Raumtemperatur (°C)

### Humidity (Feuchtigkeit)

Raumluftfeuchtigkeit (%).

### Trainingswert

Gewählter Trainingswert.

### Trainingsprofil

Gewähltes Trainingsprofil..

### Kumulative Herzfrequenz

Herzfrequenzprofil während des Trainings..

### Warnung - Batterie schwach

Warnzeichen, das auf den Batteriewechsel aufmerksam macht.

## Bedienung

### Einschalten

- Drücken Sie auf eine beliebige Taste, wenn sich die Konsole im Ruhemodus befindet.

### Vor dem Gebrauch

- Drücken Sie auf die UP- oder DOWN-Taste, um eine Menüfunktion zu wählen.
- Drücken Sie zur Bestätigung auf die MODE-Taste.
- Drücken Sie auf die UP- oder DOWN-Taste, um den Wert für die gewählte Menüfunktion zu ändern.
- Drücken Sie zur Bestätigung auf die MODE-Taste..

## Während des Gebrauchs

Das Menü zeigt konstant die Werte für die Menüfunktionen an. Die unterschiedlichen Werte blinken alle 6 Sekunden nacheinander auf der Anzeige.

- Drücken Sie auf die MODE-Taste, um das automatische Scannen der Werte für die unterschiedlichen Menüfunktionen zu stoppen.
- Drücken Sie so oft wie erforderlich auf die MODE-Taste, um die Information für eine bestimmte Menüfunktion anzeigen zu lassen.
- Drehen Sie den Widerstandseinstellknopf, um den Widerstand zu ändern.

### HINWEIS

Wenn Sie Zielwerte einstellen, ertönt ein Warnsignal und das Training stoppt automatisch, wenn der erste der angegebenen Zielwerte erreicht ist.

## Programms

### Manuelles Programm

- Drücken Sie auf die UP- oder DOWN-Taste, um die Zeit einzustellen. Drücken Sie zur Bestätigung auf die MODE-Taste.
- Drücken Sie auf die UP- oder DOWN-Taste, um die Distanz einzustellen. Drücken Sie zur Bestätigung auf die MODE-Taste.
- Drücken Sie auf die UP- oder DOWN-Taste, um den Energieverbrauch einzustellen. Drücken Sie zur Bestätigung auf die MODE-Taste.
- Drücken Sie auf die UP- oder DOWN-Taste, um den Herzfrequenz-Grenzwert einzustellen. Drücken Sie zur Bestätigung auf die MODE-Taste.
- Drücken Sie auf die START/STOP-Taste, um das Training zu starten. Wenn Sie die Zielwerte eingestellt haben, werden diese jetzt heruntergezählt.

### Recovery

Messung der Erholungsherzfrequenz

Messen Sie Ihre Erholungsherzfrequenz nach dem Training.

- Die Funktion RECOVERY ist nur aktiv, wenn ein Puls erkannt wurde.
- Die Messung der Erholungsherzfrequenz wird durch Drücken die "RECOVERY"-Taste gestartet. Auch das Display zeigt "Recovery" an.
- Die Messung startet automatisch und dauert zwei Minuten.
- Nach dem Ende der Messung zeigt das Display die Erholungsbeziehung als ein Prozentzahl. Je kleiner dieser Zahl ist, desto besser ist Ihre Kondition! Beachten Sie, dass Ihre Ergebnisse in Beziehung mit dem Pulsniveau vom Messungsanfang steht, und dass Ihre Ergebnisse immer persönliche Ergebnisse sind, die nicht mit Ergebnissen anderer Menschen direkt vergleichbar sind. Zur Verbesserung der Zuverlässigkeit der Messung sollten Sie stets versuchen, den Messvorgang möglichst genau zu standardisieren; beginnen Sie die Messung möglichst genau auf dem gleichen Herzfrequenzniveau.
- Der Rückkehr zum Hauptdisplay geschieht durch Drücken der RESET-Taste. Das Hauptdisplay stellt auch automatisch auf die Normalanzeige nach einem Minut um.

### HINWEIS

- Wenn das Ergebnis der Wiederherstellung einen negativen Wert anzeigt, bedeutet dies, dass Ihre Herzfrequenz am Ende der Messung höher war als zu Beginn.
- ERR wird angezeigt, wenn keine Herzfrequenz erkannt wird.

## Reinigung und Wartung

Das Gerät bedarf keiner besonderen Wartung. Das Gerät muss nicht neu kalibriert werden, wenn es gemäß den Anweisungen zusammengebaut, verwendet und gewartet wird.

### WARNUNG

- Entfernen Sie vor der Reinigung und Wartung den Adapter.
- Verwenden Sie zur Reinigung des Geräts keine Lösungsmittel.
- Reinigen Sie das Gerät nach dem Gebrauch mit einem weichen aufnahmefähigen Lappen.
- Prüfen Sie regelmäßig, ob alle Schrauben und Muttern fest sind.
- Schmieren Sie die Gelenke, falls erforderlich.

### Schmierung (Abb. G)

Das Gerät muss regelmäßig geschmiert werden, jedoch nur, wenn dies erforderlich ist.

- Tragen Sie wie angegeben ggf. etwas Schmiermittel auf.

### Erneuerung der Batterien

Die Konsole hat hinten 2 AA-Batterien.

- Entfernen Sie die Abdeckung.
- Entfernen Sie die alten Batterien.
- Setzen Sie die neuen Batterien ein. Vergewissern Sie sich, dass die Batterien entsprechend den (+) und (-) Polaritätszeichen eingesetzt werden.
- Bringen Sie die Abdeckung an.

### Störungen und Fehlfunktionen

Trotz ständiger Qualitätskontrolle können durch Einzelteile verursachte Störungen und Fehlfunktionen am Gerät auftreten. In den meisten Fällen ist es ausreichend, das defekte Teil zu erneuern.

- Falls das Gerät nicht ordnungsgemäß funktioniert, wenden Sie sich unverzüglich an den Händler.
- Nennen Sie dem Händler Modell- und Seriennummer des Geräts. Schildern Sie die Art des Problems, die Gebrauchsbedingungen und das Kaufdatum.

### Fehlersuche:

- Wenn die LCD-Anzeige verdunkelt ist, sollten die Batterien ausgetauscht werden.  
Wenn Sie in die Pedale treten und kein Signal erfolgt, überprüfen Sie bitte, ob das Kabel richtig angeschlossen ist.

### HINWEIS

- Der Hauptbildschirm wird vier Minuten nach einem Trainingstopp ausgeschaltet.
- Wenn der Computer ungewöhnliche Dinge anzeigt, legen Sie die Batterien bitte erneut ein und versuchen Sie es noch einmal.

## Transport und Lagerung

### ⚠️ WARNUNG

- Entfernen Sie vor dem Transport und der Lagerung den Adapter.
  - Tragen und bewegen Sie das Gerät mit mindestens zwei Personen.
- Bleiben Sie vor dem Gerät auf beiden Seiten und halten Sie die Handgriffe sicher fest. Heben Sie die Vorderseite des Geräts an, damit die Hinterseite auf die Räder gehoben wird. Bewegen Sie das Gerät und setzen Sie es vorsichtig ab. Stellen Sie das Gerät auf eine schützende Unterlage, um Schäden am Bodenbelag zu vermeiden.
- Bewegen Sie das Gerät vorsichtig über unebene Böden. Bewegen Sie das Gerät nicht auf den Rädern Treppen herauf, sondern tragen Sie es an den Handgriffen.
- Lagern Sie das Gerät an einem trockenen Ort mit möglichst wenig Temperaturschwankungen.

## Zusätzliche Informationen

### Verpackungsentsorgung

Staatliche Vorschriften sagen, dass wir die in Deponien entsorgen Abfallmengen verringern sollen. Daher bitten wir Sie, den gesamten Verpackungsabfall an öffentlichen Recyclingstellen abzugeben

### Entsorgung am ende der Lebensdauer

Wir bei Tunturi hoffen, dass Sie Ihren Fitnesstrainer viele Jahre mit Freude nutzen werden. Jedoch wird irgendwann die Zeit kommen, wenn die Ende der Nutzungsdauer des Fitnesstrainers erreicht ist. Gemäß den europäischen WEEE-Gesetzen sind Sie für eine geeignete Entsorgung des Fitnesstrainers bei einer anerkannten öffentlichen Entsorgungsstelle verantwortlich.

## Technische Daten

| Parameter            | Maßeinheit | Wert       |
|----------------------|------------|------------|
| Länge                | cm<br>inch | 201<br>79  |
| Breite               | cm<br>inch | 54<br>21   |
| Körpergröße          | cm<br>inch | 80<br>31   |
| Gewicht              | kg<br>lbs  | 31,6<br>70 |
| Max. Benutzergewicht | kg<br>lbs  | 120<br>265 |
| Batteriegröße        |            | AA         |

## Garantie

### Eigentümer-garantie für Tunturi fitnessgeräte.

#### Garantiebedingungen

Der Käufer ist berechtigt die den Handel mit Konsumgütern betreffenden gesetzlichen Rechte gemäß der nationalen Gesetzgebung in Anwendung zu bringen. Diese Rechte werden durch die Garantie nicht eingeschränkt. Bedingungen zu ersetzen. Die Eigentümer-Garantie gilt nur dann, wenn das Gerät in einer für entsprechende Geräte der Tunturi New Fitness BV zugelassenen Anwendungsumgebung verwendet wird. Die für das Gerät zugelassene Anwendungsumgebung wird in der Bedienungsanleitung des Geräts genannt.

#### Garantiedauer

Die Garantie gilt ab Kaufdatum. Die Garantiedauer kann sich je nach Land unterscheiden. Bitte wenden Sie sich an Ihren zuständigen Händler, um die Garantiedauer zu erfahren.

#### Garantieumfang

Unter keinen Umständen haften die Tunturi New Fitness BV oder der Tunturi-Vertragshändler für dem Käufer möglicherweise zugefügte indirekte Schäden wie Gebrauchsbeeinträchtigung oder Einkommensverlust oder anderen wirtschaftlichen Folgeschäden.

#### Einschränkungen der garantie

Die Garantie deckt durch Herstellung oder Material hervorgerufene Fehler des Fitnessgeräts in dessen ursprünglicher Zusammensetzung. Unter Voraussetzung, dass die Aufbau-, Pflege- und Gebrauchsanweisungen von Tunturi befolgt wurden, erstreckt sich die Garantie auf solche Fehler, die bei normaler und einem dem Gerät beiliegenden Anleitungsbuch entsprechender Benutzung auftreten können. Die Tunturi New Fitness BV und der Tunturi-Vertragshändler haften nicht für Fehler, die durch Faktoren außerhalb ihrer Einflussmöglichkeiten hervorgerufen wurden. Die Garantie gilt nur für den ursprünglichen Eigentümer und nur in den Ländern, in denen es einen von der Tunturi New Fitness BV autorisierten Importeur gibt. Die Garantie gilt nicht für solche Fitnessgeräte oder Teile, an denen ohne Zustimmung der Tunturi New Fitness BV Veränderungen vorgenommen worden sind. Die Garantie betrifft auch nicht solche Schäden, die durch natürlichen Verschleiß, fehlerhaften Gebrauch, Benutzung unter für das Gerät nicht vorgesehenen Umständen, Korrosion, Verladung oder Transport hervorgerufen wurden.

Ersatzleistungen aufgrund von Geräuschen, die beim Einsatz des Geräts auftreten, sind von der Garantie ausgeschlossen, sofern diese Geräusche den Gebrauch des Geräts nicht wesentlich beeinträchtigen und nicht durch einen Gerätefehler bedingt sind.

Die Garantie beinhaltet keine Wartungsmaßnahmen, wie Reinigung, Schmieren oder normales Kontrollieren der Teile, auch nicht solche Aufbaumaßnahmen, die der Kunde selbst ausführen kann und die kein spezielles Auseinander- oder Zusammenbauen des Fitnessgeräts erfordern. Zu solchen Maßnahmen gehört beispielsweise das Austauschen von Cockpits, Pedalen oder anderer entsprechender einfacher

Teile. Andere als die durch einen autorisierten Tunturi-Vertreter ausgeführten Garantieleistungen werden nicht ersetzt. Durch unsachgemäße, d.h. nicht der Bedienungsanleitung entsprechenden, Bedienung, verfällt jedweder Garantieanspruch.

## **Herstellereklärung**

---

Tunturi New Fitness BV erklärt hiermit, dass das Produkt folgenden Normen und Richtlinien entspricht: EN 957 (HB), 89/336/EWG. Das Produkt trägt daher das CE-Kennzeichen.

01-2017

Tunturi New Fitness BV  
Purmerweg 1  
1311 XE Almere  
The Netherlands

## **Haftungsausschluss**

---

© 2017 Tunturi New Fitness BV  
Alle Rechte vorbehalten.

Produkt und Handbuch können geändert werden. Die technischen Daten können ohne Vorankündigung geändert werden.

## Français

Ce manuel français est une traduction de la version anglaise. Notez que la version anglaise est en tête dans le contenu lorsque des différences sont trouvées.

## Indice

|   |           |
|---|-----------|
| <b>Rameur</b> .....                     | <b>32</b> |
| <b>Avertissements de sécurité</b> ..... | <b>32</b> |
| <b>Instructions de montage</b> .....    | <b>32</b> |
| Description (fig. A)                    | 32        |
| Contenu de l'emballage (fig. B & C)     | 33        |
| Assemblage (fig. D)                     | 33        |
| <b>Exercices</b> .....                  | <b>33</b> |
| Instructions d'entraînement             | 33        |
| Fréquence cardiaque                     | 34        |
| <b>Usage</b> .....                      | <b>34</b> |
| Réglage des pieds de support            | 34        |
| Régler la résistance                    | 34        |
| Réglage de l'horloge                    | 34        |
| <b>Console (fig F)</b> .....            | <b>35</b> |
| Explication des boutons                 | 35        |
| Explication of display items            | 35        |
| Fonctionnement                          | 35        |
| <b>Programs</b> .....                   | <b>36</b> |
| Programme manuel                        | 36        |
| Recovery.                               | 36        |
| <b>Nettoyage et maintenance</b> .....   | <b>36</b> |
| Lubrification (fig. G)                  | 36        |
| Remplacement des piles                  | 36        |
| Défauts et dysfonctionnements           | 36        |
| <b>Transport et rangement</b> .....     | <b>36</b> |
| Informations supplémentaires            | 37        |
| <b>Données techniques</b> .....         | <b>37</b> |
| <b>Garantie</b> .....                   | <b>37</b> |
| <b>Déclaration du fabricant</b> .....   | <b>37</b> |
| <b>Limite de responsabilité</b> .....   | <b>37</b> |

## Rameur

Bienvenue dans l'univers de Tunturi Fitness !

Merci pour votre achat de cet élément d'équipement Tunturi. Tunturi offre toute une gamme d'équipements de fitness professionnels, notamment des vélos elliptiques, tapis de course, vélos d'appartement, rameurs et accessoires. Les équipements Tunturi sont parfaits pour toute la famille, quel que soit le niveau de forme de ses membres. Pour en savoir plus, visitez notre site Web [www.tunturi.com](http://www.tunturi.com)

## Avertissements de sécurité

### ⚠ AVERTISSEMENT

- Lisez les avertissements de sécurité et les instructions. Le non respect des avertissements de sécurité et des instructions est une source de blessure et de dégâts de l'équipement. Conservez les avertissements de sécurité et les instructions pour référence ultérieure.

### ⚠ AVERTISSEMENT

- Les systèmes de suivi de la fréquence cardiaque peuvent être inexacts. Un exercice excessif peut entraîner des blessures graves voire mortelles. Si vous vous sentez défaillir, interrompez immédiatement l'exercice.
- L'équipement est adapté à un usage domestique. L'équipement ne convient pas à un usage commercial.
- La durée d'utilisation maximum est limitée à 3 heures par jour.
- L'emploi de cet équipement par des enfants ou des personnes affectés d'un handicap physique, sensoriel, mental ou moteur, voire dont l'expérience ou les connaissances s'avèrent insuffisantes est une source de risques. Les personnes chargées de leur sécurité doivent leur fournir des instructions explicites ou superviser leur usage de l'équipement.
- Avant de commencer vos exercices, effectuez un bilan de santé auprès d'un médecin.
- Si vous êtes pris de nausées ou de vertiges ou sentez d'autres symptômes normaux pendant l'entraînement, interrompez immédiatement la session et consultez votre médecin.
- Afin d'éviter toutes douleurs et tensions musculaires, commencez vos séances par des échauffements et terminez-les par une récupération. N'oubliez pas de vous étirer après vos exercices.
- L'équipement est uniquement adapté à un usage intérieur. L'équipement ne convient pas à un usage extérieur.
- Utilisez l'équipement uniquement dans des environnements correctement ventilés. N'utilisez pas l'équipement dans des endroits exposés aux courants d'air afin de ne pas vous enrhumier.
- Utilisez l'équipement uniquement à une température ambiante entre 10 °C et 35 °C. Rangez l'équipement uniquement à une température ambiante entre 5 °C et 45 °C.
- N'utilisez et ne rangez pas l'équipement dans un environnement humide. L'humidité de l'air ne doit jamais dépasser 80 %.
- Utilisez l'équipement uniquement pour son usage prévu. N'utilisez pas l'équipement pour d'autres usages que ceux décrits dans le manuel.
- N'utilisez pas l'équipement si l'une de ses pièces est endommagée ou défectueuse. Si une pièce est endommagée ou défectueuse, contactez votre revendeur.
- Maintenez vos mains, vos pieds et les autres parties de votre corps à l'écart des pièces mobiles.
- Maintenez votre chevelure à l'écart des pièces mobiles.
- Portez des vêtements et des chaussures adaptés.
- Maintenez les vêtements, bijoux et autres objets à l'écart des pièces mobiles.
- Assurez-vous qu'une seule personne utilise l'équipement à la fois. L'équipement ne doit pas être utilisé par des personnes pesant plus de 120 kg (265 lbs).
- N'ouvrez pas l'équipement sans consulter votre revendeur.

## Instructions de montage

### Description (fig. A)

Votre vélo vertical est un élément d'équipement de fitness stationnaire servant à simuler le cyclisme sans exercer de pression excessive sur les jointures.



## Contenu de l'emballage (fig. B & C)

- L'emballage contient les pièces illustrées en fig. B.
- L'emballage contient les fixations illustrées en fig. C. Voir la section "Description".

### NOTE

- Si une pièce manque, contactez votre revendeur.

## Assemblage (fig. D)

### AVERTISSEMENT

- Assemblez l'équipement dans l'ordre indiqué.
- Deux personnes au moins sont nécessaires pour transporter et déplacer l'équipement.

### PRÉCAUTION

- Placez l'équipement sur une surface plane et ferme.
- Placez l'équipement sur une base protectrice pour éviter d'endommager la surface du sol.
- Prévoyez un dégagement d'au moins 100 cm autour de l'équipement.
- Consultez les illustrations pour l'assemblage correct de l'équipement.

### NOTE

- Conservez les outils livrés avec ce produit après son montage, pour d'éventuels entretiens.

## Exercices

Un exercice doit être suffisamment léger mais prolongé. L'exercice aérobic repose sur l'amélioration de l'absorption maximum d'oxygène par le corps, améliorant à son tour l'endurance et la forme. Vous devez transpirer mais sans jamais être à bout de souffle durant l'exercice.

Pour atteindre et entretenir un niveau de forme basique, exercez-vous au moins 3 fois par semaine, par session de 30 minutes. Accroissez le nombre des sessions d'exercice pour améliorer votre niveau de forme. Il est profitable de combiner un exercice régulier et un régime sain. Une personne suivant un régime doit s'exercer au quotidien, au début 30 minutes ou moins pour chaque session afin d'accroître ensuite progressivement le temps d'exercice quotidien pour atteindre une heure. Commencez vos exercices à une vitesse lente et avec une faible résistance pour éviter de soumettre le système cardiovasculaire à une contrainte excessive. À mesure de l'amélioration de votre forme, accroissez progressivement la vitesse et la résistance. L'efficacité de votre exercice est mesurable en suivant votre fréquence cardiaque et votre pouls.

## Instructions d'entraînement

L'utilisation de votre appareil de fitness vous procurera plusieurs avantages : il vous permettra d'améliorer votre forme physique, de tonifier vos muscles et, associé à un régime hypocalorique, de perdre du poids.

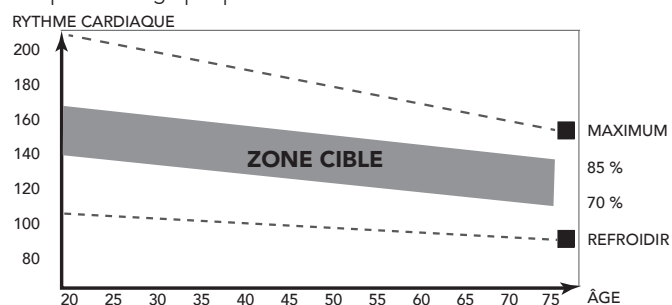
### Phase d'échauffement

Cette étape favorise la circulation du sang dans tout le corps et le bon fonctionnement des muscles. Elle réduit également le risque de crampes et de lésions musculaires. Il est conseillé de faire quelques

exercices d'étirement, comme ceux qui sont indiqués ci-dessous. Chaque étirement doit être maintenu pendant environ 30 secondes. Ne forcez pas ou n'étirez pas excessivement un muscle. Si vous sentez qu'une position vous fait mal, ARRÊTEZ.

### Phase d'exercice

C'est l'étape principale de votre entraînement. Après une utilisation régulière de l'appareil, vous sentirez que les muscles de vos jambes ont gagné en souplesse. Il est très important de maintenir un rythme régulier tout au long de la séance. Le rythme de travail doit être suffisant pour faire monter votre rythme cardiaque dans la zone cible indiquée sur le graphique ci-dessous.



Cette étape doit durer au moins 12 minutes, bien que l'on commence généralement à environ 15-20 minutes.

### Phase de refroidissement

Cette étape a pour objectif de laisser votre système cardiovasculaire et vos muscles reprendre leur rythme normal. Il s'agit d'une répétition de l'exercice d'échauffement. Baissez le rythme et continuez pendant environ 5 minutes. Vous devez ensuite refaire les exercices d'étirement et souvenez-vous de ne pas forcer ou trop étirer un muscle dans une certaine position.

À mesure que vous améliorerez votre forme, vous ressentirez peut-être le besoin de vous entraîner plus longtemps ou de faire des entraînements plus poussés. Il est conseillé de s'entraîner au moins trois fois par semaine et, si possible, d'espacer les séances régulièrement tout au long de la semaine.

### Tonification musculaire

Pour tonifier vos muscles à l'aide de l'appareil de fitness, vous devrez sélectionner une résistance assez élevée. Les muscles de vos jambes seront davantage sollicités et vous ne pourrez peut-être pas vous entraîner aussi longtemps que vous le voudriez. Si vous souhaitez également améliorer votre forme, vous devrez modifier votre programme d'entraînement. Entraînez-vous normalement pendant les phases d'échauffement et de refroidissement, mais vers la fin de l'exercice, augmentez la résistance en faisant travailler vos jambes davantage. Vous devrez réduire la vitesse pour maintenir votre rythme cardiaque dans la zone cible.

### Perte de poids

Ici, le facteur important est l'effort que vous déployez. Plus vous entraînez longtemps et de manière soutenue, plus vous brûlerez de calories. C'est en réalité le même principe que pour l'entraînement d'amélioration de la forme ; la différence est l'objectif recherché.

## Fréquence cardiaque

### Mesure de la fréquence cardiaque (sangle thoracique de fréquence cardiaque)

#### NOTE

- Une sangle de poitrine ne vient pas standard avec cet entraîneur. Lorsque vous souhaitez utiliser une sangle de poitrine sans fil, vous devez l'acheter en tant qu'accessoire.

La sangle thoracique de fréquence cardiaque assure la mesure de fréquence cardiaque la plus précise. La fréquence cardiaque est mesurée par un récepteur combiné à la sangle thoracique de fréquence cardiaque. Une mesure précise de la fréquence cardiaque nécessite des électrodes de sangle émettrice légèrement humides et en contact constant avec la peau. Si les électrodes sont trop sèches ou humides, la mesure de la fréquence cardiaque peut devenir moins précise.

#### AVERTISSEMENT

- Si vous portez un stimulateur cardiaque, consultez votre médecin avant d'utiliser une sangle thoracique de fréquence cardiaque.

#### PRÉCAUTION

- Si plusieurs dispositifs de mesure de la fréquence cardiaque sont proches les uns des autres, assurez-vous qu'ils sont au moins distants de 2 mètres.
- En présence d'un récepteur unique de fréquence cardiaque pour plusieurs émetteurs, assurez-vous qu'une seule personne avec un émetteur est à portée de transmission.

#### NOTE

- Portez toujours la sangle thoracique de fréquence cardiaque sous vos vêtements, en contact direct avec votre peau. Ne portez pas votre sangle thoracique de fréquence cardiaque par-dessus vos vêtements. Si vous portez la sangle thoracique de fréquence cardiaque sur vos vêtements, il n'y a pas de signal.
- Si vous réglez une fréquence cardiaque limite pour votre exercice, une alarme retentit dès qu'elle est dépassée.
- L'émetteur transmet la fréquence cardiaque à une console jusqu'à une distance de 1,5 mètre. Si les électrodes ne sont pas suffisamment mouillées, votre fréquence cardiaque ne s'affiche pas.
- Certaines fibres des vêtements (par ex. polyester, polyamide) créent de l'électricité statique qui peut empêcher la mesure précise de la fréquence cardiaque.
- Les téléphones portables, télévisions et autres appareils électriques créent un champ électromagnétique susceptible d'empêcher une mesure précise de la fréquence cardiaque.

### Fréquence cardiaque maximum (durant l'exercice)

La fréquence cardiaque maximum est la fréquence la plus élevée qu'une personne peut atteindre en toute sécurité sous la contrainte de l'exercice. La formule suivante sert à calculer la fréquence cardiaque maximum moyenne :  $220 - \text{ÂGE}$  La fréquence cardiaque maximum varie d'une personne à l'autre.

#### AVERTISSEMENT

- Assurez-vous de ne pas dépasser votre fréquence cardiaque maximum durant l'exercice. Si vous appartenez à un groupe à risque, consultez un médecin.

### Débutant

#### 50-60% de fréquence cardiaque maximum

Adapté aux débutants, aux personnes suivant leur poids, aux convalescents et aux personnes ne s'exerçant pas depuis un certain temps. Exercez-vous au moins trois fois par semaine, par session de 30 minutes.

### Avancé

#### 60-70% de fréquence cardiaque maximum

Adapté aux personnes souhaitant améliorer et entretenir leur forme. Exercez-vous au moins trois fois par semaine, par session de 30 minutes.

### Expert

#### 70-80% de fréquence cardiaque maximum

Adapté aux personnes les plus en forme, habituées aux exercices d'endurance prolongés.

## Usage

### Réglage des pieds de support

L'équipement comporte 2 pieds de support. Si l'équipement est instable, vous pouvez régler les pieds de support.

- Tournez les pieds de support, selon les besoins, pour placer l'équipement en position stable.
- Serrez les écrous d'arrêt pour bloquer les pieds de support.

#### NOTE

- La stabilité de la machine est maximisée lorsque tous les pieds de support sont complètement tournés vers l'intérieur. Vous devez donc commencer à mettre la machine de niveau en tournant tous les pieds de support vers l'intérieur avant de sortir les pieds de support requis pour stabiliser la machine.

### Régler la résistance

Pour augmenter ou diminuer la résistance, tournez le bouton de réglage situé sur le tube de support du guidon dans le sens des aiguilles d'une montre (vers le +) pour augmenter la résistance et dans le sens inverse des aiguilles d'une montre (vers le -) pour réduire la résistance.

L'échelle au-dessus du bouton (1-8) vous aide à trouver et à redéfinir une résistance adaptée.

### Réglage de l'horloge

- Appuyez sur les boutons MODE et RESET sans les relâcher pendant 2 secondes pour réinitialiser le compteur.
- Appuyez sur le bouton UP ou DOWN pour régler l'horloge.

## Console (fig F)



### ⚠ PRÉCAUTION

- Maintenez la console à l'écart de la lumière directe du soleil.
- Séchez la surface de la console dès qu'elle est couverte de gouttes de sueur.
- Ne vous appuyez pas sur la console.
- Touchez l'affichage uniquement avec le bout du doigt. Assurez-vous de ne pas toucher l'affichage avec vos ongles ou des objets coupants.

### ℹ NOTE

- La console passe en mode de veille si l'équipement n'est pas utilisé pendant 4 minutes.

## Explication des boutons

### Mode

Appuyez sur le bouton pour confirmer votre sélection.

### Start/ Stop

Appuyez sur le bouton pour commencer l'exercice. Appuyez sur le bouton à nouveau pour effectuer une pause (maxi. 5 minutes). Appuyez sur le bouton à nouveau pour poursuivre la session. Appuyez sur le bouton sans le relâcher pour arrêter la session.

### Recovery

Appuyez sur le bouton pour calculer votre taux de récupération cardiaque après une session.

### Reset

Appuyez sur le bouton pour revenir au menu. Appuyez sur le bouton sans le relâcher pour réinitialiser le compteur.

### Up

Réglage des valeurs souhaitées

### Down

Réglage des valeurs souhaitées

## Explication of display items

### Strokes (Course)

Courses par minute sous forme de valeur numérique (/ min) et de représentation graphique (barres).

### Time (Temps)

Durée (hh:mm et mm:ss) de la session.

### Pulse (Pouls)

Limite de fréquence cardiaque (bpm) durant la session. Le symbole du coeur clignote simultanément avec votre propre fréquence cardiaque. La flèche s'affiche si votre fréquence cardiaque dépasse les limites inférieures et supérieures définies pour la fréquence cardiaque.

### Distance (Distance)

Distance (km ou ml) de la session.

### Speed/ RPM (Vitesse/ régime)

Vitesse (km/h) ou Rythme (courses/min) de la session.

### Calories (Calories)

Consommation d'énergie (kcal) de la session.

### ℹ REMARQUE

- Ces données sont fournies à titre indicatif pour comparer entre différentes séances d'entraînement ; elles ne doivent pas être utilisées dans le cadre d'un traitement médical.

### Clock (Horloge)

Horloge en temps réel.

### Temperature (Température)

Température ambiante (°C)

### Humidity (Humidité)

Humidité ambiante (%).

### Valeur d'exercice

Valeur d'exercice sélectionné.

### Profil d'exercice

Profil d'exercice sélectionné.

### Cumul de fréquence cardiaque

Profil de fréquence cardiaque (bpm) durant la session.

### Avertissement de pile faible

Signal avertissant de la nécessité de changer les piles.

## Fonctionnement

### Marche

- Appuyer sur une touche pour mettre en marche la console en mode veille.

### Durant l'usage

Le menu affiche constamment les valeurs des éléments de menu. Les différentes valeurs clignotent à l'affichage pendant 6 secondes, les unes après les autres.

- Appuyez sur le bouton MODE pour arrêter le balayage automatique des valeurs des différents éléments de menu.
- Appuyez sur le bouton MODE le nombre de fois nécessaire pour afficher les informations d'un élément de menu spécifique.
- Tournez le bouton de réglage de résistance pour modifier la résistance.

## NOTE

- Si vous réglez des valeurs cibles, une alarme retentit et l'exercice s'arrête automatiquement dès que la première des valeurs cibles spécifiées est atteinte.

## Programs

### Programme manuel

- Appuyez sur le bouton UP ou DOWN pour régler l'heure. Appuyez sur le bouton MODE pour confirmer.
- Appuyez sur le bouton UP ou DOWN pour régler la distance. Appuyez sur le bouton MODE pour confirmer.
- Appuyez sur le bouton UP ou DOWN pour régler la consommation d'énergie. Appuyez sur le bouton MODE pour confirmer.
- Appuyez sur le bouton UP ou DOWN pour régler la limite de fréquence cardiaque. Appuyez sur le bouton MODE pour confirmer.
- Appuyez sur le bouton START/STOP pour commencer l'exercice. Si vous avez défini des valeurs cibles, leur compte à rebours démarre.

### Recovery

Mesure de rythme cardiaque de récupération.

Mesurez votre rythme cardiaque de récupération à la fin de l'exercice.

- La fonction RECOVERY (récupération) est valide si un pouls est décelé.
- Appuyez sur la touche RECOVERY pour accéder à la mesure du rythme cardiaque de récupération. L'écran affiche le texte Recovery.
- La mesure démarre automatiquement et dure deux minutes.
- À la fin de la période de mesure, l'écran affiche le rapport de récupération du rythme cardiaque en pourcentage. Plus ce chiffre est faible, meilleure est votre forme physique. Notez que votre résultat est en rapport avec votre niveau cardiaque à l'instant du démarrage de la mesure et que votre résultat est personnel et donc non comparable avec les éventuels résultats d'autres personnes. Pour améliorer la fiabilité de la mesure du pouls de récupération, essayez de toujours procéder de manière pratiquement identique; commencez la mesure à un niveau cardiaque similaire.
- Pour quitter la fonction de mesure du rythme cardiaque de récupération et revenir à l'écran général, appuyez sur la touche RESET ; le compteur revient automatiquement en mode d'affichage général une minute après la fin de la mesure.

## NOTE

- Lorsque le résultat de la récupération affiche un chiffre négatif, cela signifie que votre fréquence cardiaque à la fin de la mesure était supérieure à celle du début.
- ERR est affiché lorsqu'il n'y a pas de fréquence cardiaque détectée.

## Nettoyage et maintenance

Cet équipement ne nécessite aucune maintenance spéciale.

L'équipement n'a besoin d'aucune calibration après son assemblage, son utilisation et son entretien conformément aux instructions.

## AVERTISSEMENT

- Avant le nettoyage et la maintenance, retirez l'adaptateur.
- N'utilisez aucun solvant pour nettoyer l'équipement.

- Nettoyez l'équipement avec un chiffon doux et absorbant après chaque usage.
- Vérifiez régulièrement le serrage de tous les écrous et vis.
- Si nécessaire, lubrifiez les joints.

### Lubrification (fig. G)

L'équipement doit être lubrifié régulièrement mais uniquement si cela s'avère nécessaire.

- Si nécessaire, appliquez un peu de lubrifiant comme illustré.

### Remplacement des piles

La console comporte 2 piles AA sur sa partie arrière.

- Retirez le cache.
- Retirez les piles usagées.
- Insérez les nouvelles piles. Assurez-vous de respecter les indications de polarité (+) et (-). Montez le cache.

### Défauts et dysfonctionnements

Malgré un contrôle continu de la qualité, des défauts ou des dysfonctionnements peuvent être occasionnés par des composants individuels. La plupart du temps, il vous suffit de remplacer la pièce défectueuse.

- Si l'équipement ne fonctionne pas correctement, contactez immédiatement le revendeur.
- Fournissez le numéro de modèle et le numéro de série de l'équipement au revendeur. Mentionnez la nature du problème, les conditions d'usage et la date d'achat.

### Résolution des pannes :

- Les piles doivent être changées lorsque l'affichage LCD devient sombre.
- Vérifier que le câble est bien branché s'il n'y a aucun signal lorsque vous pédalez.

## NOTE

- L'écran principal s'éteindra si l'entraînement est à l'arrêt pendant 4 minutes.
- Si l'affichage de l'ordinateur n'est pas normal, veuillez réinstaller les piles et réessayer.

## Transport et rangement

### AVERTISSEMENT

- Avant le transport et le stockage, retirez l'adaptateur.
- Deux personnes au moins sont nécessaires pour transporter et déplacer l'équipement.

- En vous tenant devant l'équipement de chaque côté, saisissez fermement ses guidons. Levez l'avant de l'équipement pour que l'arrière repose sur les roues. Déplacez l'équipement et reposez-le prudemment. Placez l'équipement sur une base protectrice pour éviter d'endommager la surface du sol.
- Déplacez prudemment l'équipement sur les surfaces irrégulières. Ne déplacez pas l'équipement sur ses roues pour monter des escaliers mais transportez-le par les guidons.

- Rangez l'équipement dans un endroit sec exposé à des variations de température minimales.

## Informations supplémentaires

### Élimination des emballages

Les réglementations gouvernementales nous demandent de réduire la quantité de matériaux déposés dans les décharges. C'est pour cela que nous faisons appel à votre responsabilité et vous demandons de déposer les emballages dans des centres de recyclage publics.

### Élimination du produit

Chez Tunturi, nous espérons que vous profiterez longtemps de votre appareil de fitness. Cependant, nous savons bien qu'un jour ou l'autre votre machine arrivera au terme de sa vie utile. Selon la directive européenne sur les DEEE, vous êtes responsable de vous séparer correctement de votre appareil de fitness en le déposant dans un site public agréé de récupération des déchets.

## Données techniques

| Paramètre               | Unité de mesure | Valeur     |
|-------------------------|-----------------|------------|
| Longueur                | cm<br>inch      | 201<br>79  |
| Largeur                 | cm<br>inch      | 54<br>21   |
| Hauteur                 | cm<br>inch      | 80<br>31   |
| Poids                   | kg<br>lbs       | 31,6<br>70 |
| Poids maxi. utilisateur | kg<br>lbs       | 120<br>265 |
| Taille de pile          |                 | AA         |

## Garantie

### Garantie du propriétaire d'un équipement de Tunturi

#### Conditions de garantie

Le consommateur dispose des droits légaux accordés par la législation nationale applicable au commerce des produits de consommation courante et cette garantie ne limite ces droits en aucun cas. La « Garantie du propriétaire » est valable uniquement si l'équipement est utilisé dans l'environnement correspondant à celui déterminé par Tunturi New Fitness BV. L'environnement d'utilisation de chaque appareil est mentionné dans le mode d'emploi fourni avec l'appareil en question.

#### Conditions de garantie

Les conditions de garantie sont applicables à compter de la date d'achat et peuvent varier selon les pays. Demandez conseil à votre revendeur.

#### Étendue de la garantie

En aucun cas Tunturi New Fitness BV, le revendeur ou le distributeur Tunturi ne répondra des éventuels dommages spéciaux, indirects, secondaires ou consécutifs, de quelque nature que ce soit, liés à l'utilisation de ou à l'inaptitude à utiliser cet équipement.

### Restrictions de garantie

La garantie couvre les défauts de fabrication et de matériaux dans un équipement d'origine, sorti d'usine et conditionné par Tunturi New Fitness BV. La garantie couvre uniquement les défauts apparaissant lors d'une utilisation normale et conforme aux instructions du manuel du propriétaire, à condition que les instructions de montage, de maintenance et d'utilisation établies par Tunturi New Fitness BV aient été respectées. Tunturi New Fitness BV et les revendeurs Tunturi ne répondent pas des défauts occasionnés par des conditions indépendantes de leur volonté. La garantie est applicable uniquement au premier acheteur et est valable uniquement dans les pays où Tunturi New Fitness BV dispose d'un distributeur agréé. La garantie ne s'étend pas aux équipements de fitness ou aux pièces qui ont été modifiées sans l'autorisation de Tunturi New Fitness BV. La garantie ne s'applique pas aux défauts provenant d'une usure normale, d'une utilisation inadaptée, d'une utilisation dans des conditions non prévues par le fabricant, de la corrosion ou d'un dommage intervenu lors du chargement ou du transport.

La garantie ne couvre pas les sons ou les bruits émis par l'équipement s'ils ne gênent pas son utilisation et s'ils ne sont pas provoqués par un dysfonctionnement.

La garantie ne couvre pas non plus les mesures de maintenance, telles que le nettoyage, la lubrification ou la vérification normale des pièces, ni les actions que le client peut effectuer lui-même et qui n'exigent pas particulièrement de monter/ démonter l'équipement. Ces actions sont par exemple le changement des compteurs, des pédales ou autres pièces similaires faciles à changer. Seules les réparations sous garantie effectuées par un revendeur ou par le distributeur agréé Tunturi seront prises en charge. Le non-respect des instructions décrites dans le Manuel de l'Utilisateur entraînera l'annulation de la garantie.

## Déclaration du fabricant

Tunturi Fitness BV déclare que le produit est conforme aux directives et normes suivantes : EN 957 (HB), 89/336/CEE. Ce produit porte donc la marque CE.

01-2017

Tunturi New Fitness BV

Purmerweg 1

1311 XE Almere

Pays-Bas

## Limite de responsabilité

© 2017 Tunturi New Fitness BV

Tous les droits réservés.

Le produit et le manuel sont sujets à modifications. Les spécifications peuvent changer sans préavis.

## Nederlands

Deze Nederlandse handleiding is een vertaling van de Engelse tekst. Aan deze vertaling kunnen geen rechten ontleend worden. De originele Engelse tekst blijft leidend.

## Inhoud

|  |           |
|--|-----------|
| <b>Roeistrainer .....</b>                | <b>38</b> |
| <b>Veiligheidswaarschuwingen.....</b>    | <b>38</b> |
| <b>Montage instructies.....</b>          | <b>39</b> |
| Beschrijving (fig. A)                    | 39        |
| Inhoud van de verpakking (fig. B & C)    | 39        |
| Assemblage (fig. D)                      | 39        |
| <b>Trainingen .....</b>                  | <b>39</b> |
| Instructies                              | 39        |
| Hartslag..                               | 40        |
| <b>Gebruik.....</b>                      | <b>40</b> |
| Afstellen van de steunvoeten             | 40        |
| Weerstand aanpassen                      | 40        |
| Instellen van de klok                    | 40        |
| <b>Console (fig F) .....</b>             | <b>40</b> |
| Uitleg van de knoppen                    | 41        |
| Uitleg van displayitems                  | 41        |
| Bediening                                | 41        |
| <b>Programs .....</b>                    | <b>42</b> |
| Handmatig programma                      | 42        |
| Recovery                                 | 42        |
| <b>Reiniging en onderhoud .....</b>      | <b>42</b> |
| Smering (fig.G)                          | 42        |
| Vervangen van de batterijen              | 42        |
| Defecten en storingen                    | 42        |
| <b>Transport en opslag.....</b>          | <b>42</b> |
| Aanvullende informatie                   | 43        |
| <b>Technische gegevens .....</b>         | <b>43</b> |
| <b>Garantie.....</b>                     | <b>43</b> |
| <b>Verklaring van de fabrikant .....</b> | <b>43</b> |
| <b>Disclaimer .....</b>                  | <b>43</b> |

## Roeistrainer

Welkom in de wereld van Tunturi Fitness!

Hartelijk dank voor uw aankoop van dit Tunturi-toestel. Tunturi biedt een grote verscheidenheid aan professionele toestellen zoals crosstrainers, loopbanden, fietstrainers, roeimachines en accessoires. Het Tunturi-toestel is geschikt voor de hele familie, onafhankelijk van de conditie. Meer informatie vindt u op de website [www.tunturi.com](http://www.tunturi.com)

## Veiligheidswaarschuwingen

### ⚠ WAARSCHUWING

- Lees de veiligheid-waarschuwingen en de instructies. Het niet opvolgen van de veiligheid-waarschuwingen en de instructies kan persoonlijk letsel of beschadiging van het toestel veroorzaken. Bewaar de veiligheid-waarschuwingen en instructies voor toekomstig gebruik.

### ⚠ WAARSCHUWING

- Hartslag-bewakingssystemen kunnen onnauwkeurig zijn. Overmatig trainen kan leiden tot ernstig letsel of de dood. Als u zich duizelig voelt, stop dan onmiddellijk met trainen.
- Het toestel is uitsluitend geschikt voor huishoudelijk gebruik. Het toestel is niet geschikt voor commercieel gebruik.
- Het maximum gebruik is beperkt tot 3 uur per dag
- Het gebruik van dit toestel door kinderen of personen met fysieke, sensorische, geestelijke of motorische handicaps, of met gebrek aan ervaring en kennis kan gevaar veroorzaken. De personen die verantwoordelijk zijn voor hun veiligheid moeten uitdrukkelijke instructies geven of toezicht houden op het gebruik van het toestel.
- Laat uw gezondheid door een arts controleren voordat u met uw training begint.
- Als u misselijkheid, duizeligheid of andere abnormale symptomen ervaart, stop dan onmiddellijk met uw training en raadpleeg een arts.
- Om spierpijn en te zware belasting te voorkomen, moet u elke training beginnen met een warming-up en eindigen met een cooling-down. Vergeet niet om uw spieren te strekken aan het einde van de training.
- Het toestel is uitsluitend geschikt voor gebruik binnenshuis. Het toestel is niet geschikt voor gebruik buitenshuis.
- Gebruik het toestel alleen in een omgeving met voldoende ventilatie. Gebruik het toestel niet in een tochtige omgeving om geen kou te vatten.
- Gebruik het toestel alleen in een omgeving met een omgevingstemperatuur tussen 10 °C en 35 °C. Berg het toestel alleen op bij een omgevingstemperatuur tussen 5 °C en 45 °C.
- Gebruik het toestel niet in een vochtige omgeving. Berg het toestel niet op in een vochtige omgeving. De luchtvochtigheid mag nooit meer zijn dan 80%.
- Gebruik het toestel alleen voor het doel waarvoor het gemaakt is. Gebruik het toestel niet voor andere doelstellingen dan beschreven in de handleiding.
- Gebruik het toestel niet als een onderdeel is beschadigd of niet goed werkt. Raadpleeg uw dealer als een onderdeel is beschadigd of niet goed werkt.
- Houd uw handen, voeten en andere lichaamsdelen uit de buurt van de bewegende delen.
- Houd uw haar uit de buurt van de bewegende delen.
- Draag geschikte kleding en schoenen.
- Houd kleding, sieraden en andere voorwerpen uit de buurt van de bewegende delen.
- Zorg ervoor dat het toestel slechts door één persoon tegelijk wordt gebruikt. Het toestel mag niet worden gebruikt door personen die meer dan 120 kg (265 lbs) wegen.
- Maak het toestel niet open zonder eerst uw dealer te raadplegen.

## Montage instructies

### Beschrijving (fig. A)

Uw roeitrainer is een stationair fitnessstoelstel dat wordt gebruikt voor het nabootsen van roeien zonder dat de gewrichten te veel belast worden.

### Inhoud van de verpakking (fig. B & C)

- De verpakking bevat de onderdelen zoals aangegeven in fig. B.
- De verpakking bevat de bevestigingsmiddelen zoals aangegeven in fig. C. Raadpleeg het gedeelte "Beschrijving".

#### ⚠ LET OP

- Raadpleeg uw dealer als een onderdeel ontbreekt.

### Assemblage (fig. D)

#### ⚠ WAARSCHUWING

- Monteer het apparaat in de aangegeven volgorde.
- Draag en verplaats het toestel met minstens twee personen.

#### ⚠ VOORZICHTIG

- Zet het toestel op een stevige, vlakke ondergrond.
  - Zorg voor een beschermende laag onder het toestel om schade aan het vloeroppervlak te voorkomen.
  - Houd rondom de apparatuur ten minste een bewegingsruimte van 100 cm.
- Raadpleeg de illustraties voor de juiste assemblage van het toestel.

#### ⚠ LET OP

- Bewaar, nadat u het apparaat in elkaar hebt gezet, het gereedschap dat bij dit product is geleverd. Dit met het oog op service op een later tijdstip.

## Trainingen

De training moet licht genoeg zijn, maar wel langdurig. Aerobische training is gebaseerd op verbetering van de maximale zuurstofopname van het lichaam, die dan het uithoudingsvermogen en de conditie weer verbetert. U moet tijdens de training wel transpireren, maar u mag niet buiten adem raken.

- Voor het bereiken en in stand houden van een basisconditie moet u minstens drie keer per week steeds 30 minuten trainen. Verhoog het aantal trainingssessies ter verbetering van uw conditie. Het is de moeite waard om regelmatige lichaamsbeweging met gezonde voeding te combineren. Iemand die zich goed aan een dieet houdt, zou elke dag moeten trainen te beginnen met 30 minuten of korter, en de dagelijkse trainingsduur geleidelijk opvoeren tot één uur. Begin uw training bij een lage snelheid en een lage weerstand om te voorkomen dat uw hart en bloedvaten te sterk belast worden. Naarmate uw conditie verbetert, kunnen snelheid en weerstand geleidelijk worden verhoogd. De doelmatigheid van uw training kan worden gemeten door uw hartslag.

## Instructies

Het gebruik van dit fitness apparaat biedt meerdere voordelen: u verbetert uw fysieke conditie, u versterkt uw spieren en u valt in combinatie met een caloriearm dieet af.

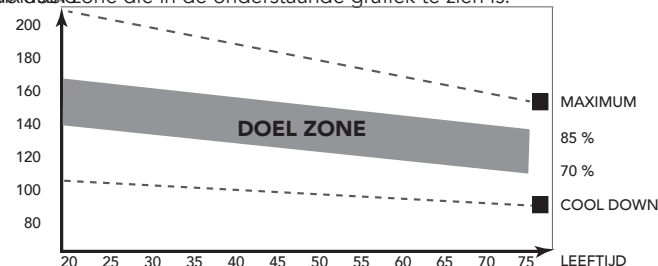
### De warming-up

In deze fase wordt uw bloedsomloop gestimuleerd voor een juiste werking van de spieren. Tevens wordt het risico op kramp en spierletsel verminderd. Wij raden u aan enkele stretch oefeningen te doen, zoals hieronder beschreven. Houd elke stretch oefening ongeveer 30 seconden vol. Forceer uw spieren niet bij het stretchen. STOP als het pijn doet

### De training fase

Dit is de fase waarin u de meeste inspanning levert. Na regelmatig gebruik worden de spieren in uw benen flexibeler. Het is in deze fase zeer belangrijk dat u een gelijkmatig tempo aanhoudt.

De snelheid moet voldoende zijn om uw hartslag te laten stijgen naar de doelzone die in de onderstaande grafiek te zien is.



Deze fase moet minimaal 12 minuten duren, maar de meeste mensen beginnen met ongeveer 15-20 minuten.

### De cooling down

In deze fase ontspant u uw cardiovasculaire systeem en spieren. Dit is een herhaling van de warming-uptraining. Verlaag dus uw tempo en ga ongeveer 5 minuten door. Herhaal nu de stretch-oefeningen. Forceer uw spieren niet tijdens het stretchen.

Naarmate u fitter wordt, moet u langer en harder trainen. Het is raadzaam minstens drie keer per week te trainen en zo nodig uw oefeningen gelijkmatig over de week te verspreiden.

### Spierversteviging

Als u uw spieren wilt verstevigen met behulp van dit fitnessapparaat, stelt u de weerstand in op hoog. Zo komt er meer spanning op uw beenspieren. Mogelijk kunt u niet zo lang trainen als u zou willen. Als u ook uw conditie wilt verbeteren, moet u het trainingsprogramma aanpassen. Tijdens de warming-up en cooling-down traint u zoals normaal, maar tegen het eind van de trainingsfase verhoogt u de weerstand zodat uw benen harder moeten werken. Verlaag hierbij de snelheid zodat uw hartslag in de doelzone blijft.

### Gewichtverlies

Hierbij is het van belang hoeveel inspanning u levert. Hoe harder en langer u werkt, hoe meer calorieën u verbrandt. In feite is dit hetzelfde als wanneer u zou trainen om uw conditie te verbeteren. Het doel is alleen anders.

## Hartslag

### Hartslagmeting (hartslagborstband)

#### ⚠ LET OP

- Een hartslagborstband is niet standaard bij deze trainer mee geleverd. Als u een hartslagborstband wilt gebruiken, zult u deze als accessoire moeten aanschaffen.

De meest nauwkeurige hartslagmeting wordt bereikt met een hartslagborstband. De hartslag wordt gemeten met een hartslagontvanger in combinatie met een band die de hartslag verzendt. Voor een nauwkeurige hartslagmeting moeten de elektroden op de borstband enigszins vochtig zijn en de huid constant aanraken. Bij te droge of te natte elektroden kan de hartslagmeting minder nauwkeurig worden.

#### ⚠ WAARSCHUWING

- Als u een pacemaker hebt, moet u het eerst met uw dokter bespreken voordat u een hartslagborstband gebruikt.

#### ⚠ VOORZICHTIG

- Als er verscheidene hartslagmeetapparaten naast elkaar staan, zorg er dan voor dat de tussenafstand minstens 2 meter is.
- Als er slechts één hartslagontvanger en verscheidene hartslagzenders zijn, zorg dan dat er slechts één persoon met een zender in het zendbereik is.

#### ⚠ LET OP

- Draag de hartslagborstband altijd onder uw kleding, direct op uw huid. Draag de hartslagborstband niet boven uw kleding. Als u de hartslagborstband boven uw kleding draagt, zal er geen signaal komen.
- Als u een hartslaglimiet hebt ingesteld voor uw training, klinkt er een alarm wanneer deze wordt overschreden.
- De zender verzendt de hartslag naar de console tot over een afstand van 1,5 meter. Als de elektroden niet vochtig zijn, verschijnt de hartslag niet op de display.
- Sommige vezels in kleding (bijv. polyester, polyamide) produceren statische elektriciteit die een nauwkeurige hartslagmeting kan hinderen.
- Mobiele telefoons, televisies en andere elektrische apparaten creëren een elektromagnetisch veld dat een nauwkeurige hartslagmeting kan hinderen.

### Maximale hartslag (tijdens de training)

De maximale hartslag is de hoogste hartslag die iemand veilig kan bereiken door de belasting van de training. De volgende formule wordt gebruikt voor het berekenen van de gemiddelde maximale hartslag:  $220 - \text{LEEFTIJD}$ . De maximale hartslag varieert van persoon tot persoon.

#### ⚠ WAARSCHUWING

- Zorg ervoor dat u tijdens uw training niet boven uw maximale hartslag komt. Als u bij een risicogroep hoort, moet u een arts raadplegen.

### Beginner

#### 50-60% van de maximale hartslag

Geschikt voor beginners, mensen die willen afvallen, herstellende

patiënten en personen die lange tijd niet getraind hebben. Train minstens drie keer per week, 30 minuten per keer.

### Gevorderd

#### 60-70% van de maximale hartslag

Geschikt voor personen die hun conditie willen verbeteren en in stand houden. Train minstens drie keer per week, 30 minuten per keer.

### Expert

#### 70-80% van de maximale hartslag

Geschikt voor de fitste personen die gewend zijn aan langdurige duurtraining.

## Gebruik

### Afstellen van de steunvoeten

Het toestel is voorzien van 2 steunvoeten. Als het toestel niet stabiel is, kunnen de steunvoeten worden versteld.

- Draai de steunvoeten zo ver in of uit als nodig is om het toestel in een stabiele positie te krijgen.
- Draai de borgmoeren vast om de steunvoeten te vergrendelen..

#### ⚠ LET OP

- Het toestel is het meest stabiel wanneer alle steunvoeten volledig zijn ingedraaid. Nivelleer het toestel eerst door alle steunvoeten volledig in te draaien alvorens de nodige steunvoeten uit te draaien om het toestel te stabiliseren.

### Weerstand aanpassen

Om de weerstand te verhogen of verlagen draait u de weerstandsknop aan de stuurbuis met de klok mee (+ richting) om de weerstand te verhogen en tegen de klok in (- richting) om de weerstand te verlagen.

De schaalverdeling boven de knop (1-8) helpt u bij het vinden en opnieuw instellen van een passende weerstand.

### Instellen van de klok

- Houd de MODE-knop en de RESET-knop 2 seconden ingedrukt om de meter te resetten.
- Druk op de UP-knop of de DOWN-knop om de klok in te stellen.

## Console (fig F)





**⚠ VOORZICHTIG**

- Houd de console uit de buurt van direct zonlicht.
- Droog het oppervlak van de console wanneer het met zweetdruppels is bedekt.
- Leun niet op de console.
- Raak de display alleen met uw vingertop aan. Raak de display niet aan met uw nagels of een scherp voorwerp.

**🔔 LET OP**

- De console gaat naar standby wanneer het toestel gedurende 4 minuten niet wordt gebruikt.

**Uitleg van de knoppen****Mode**

Druk op de knop om uw selectie te bevestigen.

**Start/ Stop**

Druk op de knop om met de training te starten.

Druk nogmaals op de knop om de training te pauzeren (max. 5 minuten).

Druk nogmaals op de knop om met de training verder te gaan.

Houd de knop ingedrukt om de training te stoppen.

**Recovery**

Druk op de knop om na een training uw herstelhartslag berekenen..

**Reset**

Druk op de knop om terug te keren naar het menu.

Houd de knop ingedrukt om de meter te resetten.

**Up**

Instelling van de streefwaarden.

**Down**

Instelling van de streefwaarden.

**Uitleg van displayitems****Strokes (Slagen)**

Slagen per minuut als numerieke waarde (/min) en als grafische weergave (staven).

**Time (Tijd)**

Tijdsduur (hh:mm en mm:ss) voor de training.

**Pulse (Hartslag)**

Hartslaglimiet (bpm) tijdens de training. Het hartsymbool knippert gelijktijdig met uw eigen hartslag. Het pijlteken verschijnt wanneer uw hartslag boven of onder de ingestelde hartslaglimiet komt.

**Distance (Afstand)**

Afstand (km) voor de training.

**Speed/ RPM (Snelheid / RPM)**

Snelheid (km/h) of RPM (omw/min) voor de training.

**Calories (Calorieën)**

Energieverbruik (kcal) voor de training..

**🔔 LET OP**

- Deze gegevens zijn een richtlijn voor de vergelijking van verschillende trainingssessies en kunnen niet voor medische behandelingen worden gebruikt.

**Clock (Klok)**

Real-time klok.

**Temperature (Temperatuur)**

Temperatuur in het vertrek (°C)

**Humidity (Lucht-vochtigheid)**

Vochtigheid in het vertrek (%).

**Trainingswaarde**

Geselecteerde trainingswaarde.

**Trainingsprofiel**

Geselecteerd trainingsprofiel.

**Cumulatieve hartslag**

Hartslagprofiel tijdens de training.

**Waarschuwing batterij bijna leeg**

Waarschuwingsteken voor het vervangen van de batterijen.

**Bediening****Inschakelen**

- Wanneer het apparaat zich in de slaapmodus bevindt, drukt u op een willekeurige toets op de console om het apparaat in te schakelen.

**Voor gebruik**

- Druk op de UP-knop of de DOWN-knop om een menu-item te selecteren.
- Druk op de MODE-knop om te bevestigen.
- Druk op de UP-knop of de DOWN-knop om de waarde voor het geselecteerde menu-item te veranderen.
- Druk op de MODE-knop om te bevestigen.

**Tijdens gebruik**

Het menu toont voortdurend de waarden voor de menu-items. De verschillende waarden knipperen elke 6 seconden achter elkaar op de display.

- Druk op de MODE-knop om met het automatische scannen van waarden voor de verschillende menu-items te stoppen.
- Druk zo vaak als nodig op de MODE-knop om informatie voor een specifiek menu-item te tonen.
- Draai de stelknop voor de weerstand voor het veranderen van de weerstand.

**🔔 LET OP**

- Als u streefwaarden instelt, klinkt er een alarm en stopt de training automatisch wanneer de eerste van de gespecificeerde streefwaarden is bereikt.

## Programs

### Handmatig programma

- Druk op de UP-knop of de DOWN-knop om de tijd in te stellen. Druk op de MODE-knop om te bevestigen.
- Druk op de UP-knop of de DOWN-knop om de afstand in te stellen. Druk op de MODE-knop om te bevestigen.
- Druk op de UP-knop of de DOWN-knop om het energieverbruik in te stellen. Druk op de MODE-knop om te bevestigen.
- Druk op de UP-knop of de DOWN-knop om de hartslaglimiet in te stellen. Druk op de MODE-knop om te bevestigen.
- Druk op de START/STOP-knop om de training te starten. Als u streefwaarden heeft ingesteld, beginnen de waarden met aftellen.

### Recovery

Meten van de conditie-hartslag.

Meet uw conditie-hartslag bij het beëindigen van de training.

- De functie RECOVERY is enkel beschikbaar wanneer een hartslag gesignaleerd wordt.
- U meet uw conditie-hartslag door op de RECOVERY –knop te drukken. Op de display verschijnt dan de tekst Recovery.
- De meting start automatisch en duurt twee minuten.
- Aan het einde van de meettijd verschijnt het herstel percentage op het scherm. Hoe kleiner dit percentage is, des te beter is uw conditie. Denkt u er wel om, dat het resultaat afhankelijk is van uw hartslag snelheid bij het begin van de meting, en dat het resultaat zeer persoonlijk is en in geen geval direct vergelijkbaar met het resultaat van andere personen. Om de betrouwbaarheid van de meting van de hartslag reactie te verbeteren, moet u altijd proberen om de meting zo nauwkeurig mogelijk en altijd op dezelfde wijze uit te voeren; begin de meting zoveel mogelijk op hetzelfde hartslag niveau.

#### LET OP

- Wanneer het herstelresultaat een negatief cijfer toont, betekent dit dat uw hartslag aan het einde van de meting hoger was dan aan het begin.
- ERR wordt weergegeven als er geen hartslag is gedetecteerd.

### Reiniging en onderhoud

Het toestel vereist geen speciaal onderhoud. Het toestel behoeft geen kalibratie wanneer het wordt geassembleerd, gebruikt en onderhouden overeenkomstig de instructies.

#### WAARSCHUWING

- Verwijder voor reiniging of onderhoud de adapter.
- Gebruik geen oplosmiddelen om het toestel te reinigen.
- Reinig het toestel na elk gebruik met een zachte absorberende doek.
- Controleer regelmatig of alle schroeven en moeren goed vast zitten.
- Smeer indien nodig de draaipunten.

### Smering (fig.G)

Het toestel moet regelmatig worden gesmeerd, maar alleen indien nodig.

- Breng indien nodig een beetje smeervet aan zoals afgebeeld.

### Vervangen van de batterijen

De console is uitgerust met 2 AA-batterijen aan de achterkant van de console..

- Verwijder het deksel.
- Verwijder de oude batterijen.
- 3. Plaats de nieuwe batterijen. Zorg ervoor dat de (+) en (-) polariteitsmarkeringen van de batterijen op de goede plaats zitten.
- Monteer het deksel.

### Defecten en storingen

Ondanks voortdurende kwaliteitscontrole kan het gebeuren dat het toestel door individuele onderdelen defect is of niet goed werkt. In de meeste gevallen zal het voldoende zijn om het defecte onderdeel te vervangen.

- Als het toestel niet goed werkt, neem dan onmiddellijk contact op met de dealer.
- Geef het modelnummer en serienummer van het toestel op aan de dealer. Vertel wat de aard van het probleem is, hoe het toestel wordt gebruikt en wanneer u het toestel heeft gekocht.

### Problemen oplossen

- Wanneer het LCD-display wordt gedimd, moeten de batterijen worden vervangen.
- Als er geen signaal is wanneer u fietst, controleer dan of de kabel goed is aangesloten.

#### LET OP

- Wanneer u gedurende 4 minuten stopt met de training, wordt het hoofdscherm uitgeschakeld.
- Wanneer de computerweergave niet normaal is, installeert u de batterijen opnieuw en probeert u het nogmaals.

### Transport en opslag

#### WAARSCHUWING

- Verwijder voor transport en opslag de adapter.
- Draag en verplaats het toestel met minstens twee personen.
- Blijf aan weerskanten aan de voorkant van het toestel staan en pak de handgrepen stevig vast. Til de voorkant van het toestel op zodat de achterkant van het toestel op de wielen komt te rusten. Verplaats het toestel en zet het voorzichtig neer. Zorg voor een beschermende laag onder het toestel om schade aan het vloeroppervlak te voorkomen.
- Verplaats het toestel voorzichtig over een ongelijke ondergrond. Breng het toestel niet met behulp van de wielen naar boven, maar draag het toestel bij de handgrepen.
- Berg het toestel op een droge plaats op met zo weinig mogelijk temperatuurwisselingen.

## Aanvullende informatie

### Afvoeren van verpakkingsmateriaal

Overheids-richtlijnen geven aan dat we de hoeveelheid afvalmateriaal afgevoerd naar stortplaatsen moeten verminderen. Daarom vragen we u al het afvalmateriaal op verantwoordelijke wijze af te voeren naar openbare recycling-centra.

### Verrwijdering aan het eind van de levensduur.

We hopen dat u jarenlang plezier hebt van uw fitnessapparaat. Er komt echter een moment waarop het fitnessapparaat het eind van de bruikbare levensduur heeft bereikt. Onder de Europese AEEA-wetgeving bent u verantwoordelijk voor het op de juiste wijze afvoeren van uw fitnessapparaat naar een erkend openbaar inzamelpunt.

## Technische gegevens

| Parameter              | Meeteenheid | Waarde     |
|------------------------|-------------|------------|
| Lengte                 | cm<br>inch  | 201<br>79  |
| Breedte                | cm<br>inch  | 54<br>21   |
| Hoogte                 | cm<br>inch  | 80<br>31   |
| Gewicht                | kg<br>lbs   | 31,6<br>70 |
| Max. gewicht gebruiker | kg<br>lbs   | 120<br>265 |
| Batterijen maat        |             | AA         |

## Garantie

### Garantie voor eigenaars van Tunturi trainingsapparatuur

#### Garantievoorwaarden

De consument ontleent wettelijke rechten aan de van toepassing zijnde nationale wetgeving aangaande de handel in consumentengoederen en de garantie zal deze rechten niet beperken.

De "Garantie voor de Eigenaar" geldt alleen dan wanneer het toestel wordt gebruikt in de door Tunturi New Fitness BV voor dat toestel toegestane gebruiksomgeving. Voor elk toestel wordt de toegestane gebruiksomgeving beschreven in de gebruiksaanwijzing van het toestel.

#### Garantievoorwaarden

De garantievoorwaarden gaan in vanaf de datum van aankoop. Deze kunnen per land verschillen. Vraag in de winkel bij u in de buurt naar de garantievoorwaarden.

#### Garantiedekking

In geen enkele omstandigheid zal Tunturi New Fitness BV of een wederverkoper van Tunturi aansprakelijk zijn voor eventuele indirecte schade geleden door de koper, zoals verlies van gebruiksnuut of inkomstenderving of andere indirecte economische gevolgen.

### Garantiebeperkingen

De garantie dekt defecten van het toestel die het gevolg zijn van materiaalfouten of onjuist uitgevoerd werk, mits het toestel zijn originele samenstelling heeft. De garantie betreft alleen defecten die blijken tijdens normaal gebruik overeenkomstig de meegeleverde gebruiksaanwijzing, mits de montage-, onderhouds- en gebruiksaanwijzingen van Tunturi zijn opgevolgd. Tunturi New Fitness BV en zijn wederverkopers zijn niet aansprakelijk voor defecten tengevolge van factoren waarop zij geen invloed kunnen uitoefenen. De garantie betreft alleen de eerste eigenaar van het toestel en is alleen geldig in landen waar een geautoriseerde importeur van Tunturi New Fitness BV is gevestigd. De garantie betreft geen trainingstoestellen of onderdelen die zijn gewijzigd zonder toestemming van Tunturi New Fitness BV. De garantie dekt geen defecten tengevolge van normale slijtage, onjuist gebruik, gebruik in omstandigheden waarvoor het toestel niet is bedoeld, corrosie of schade ontstaan tijdens laden of transport.

De garantie geldt niet voor geluiden die ontstaan door het gebruik, als ze het gebruik van het apparaat niet wezenlijk belemmeren en niet veroorzaakt zijn door een defect aan het apparaat.

De garantie omvat ook geen onderhoudsmaatregelen, zoals reiniging, smering of normale inspectie van onderdelen, noch dergelijke montagewerkzaamheden die de klant zelf kan uitvoeren en die geen speciale demontage en montage van het toestel vereisen. Dit soort maatregelen zijn bijv. vervanging van monitoren, pedalen of andere vergelijkbare eenvoudige onderdelen. Garantieherstel dat is uitgevoerd door een ander dan de geautoriseerde Tunturi-vertegenwoordiger wordt niet vergoed. De garantie geldt alleen voor normaal, voorgeschreven gebruik van het product zoals beschreven in de handleiding.

## Verklaring van de fabrikant

Tunturi New Fitness BV verklaart dat het product voldoet aan de volgende normen en richtlijnen: EN 957 (HB), 89/336/EEG. Het product is derhalve voorzien van het CE-label.

01-2017

Tunturi New Fitness BV  
Purmerweg 1  
1311 XE Almere  
The Netherlands

## Disclaimer

© 2017 Tunturi New Fitness BV  
Alle rechten voorbehouden.

Het product en de handleiding zijn aan veranderingen onderhevig. Specificaties kunnen zonder verdere kennisgeving worden veranderd.

## Italiano

Questo manuale in lingua italiana è una traduzione dalla versione originale del manuale in lingua inglese.  
Non si possono trarre diritti di traduzione dalla presente traduzione.

## Indice

|  |           |
|--|-----------|
| <b>Vogatore.....</b>                                 | <b>44</b> |
| <b>Precauzioni di sicurezza.....</b>                 | <b>44</b> |
| <b>Istruzioni di montaggio.....</b>                  | <b>44</b> |
| Descrizione (fig. A)                                 | 44        |
| Contenuto dell'imballaggio (fig. B & C)              | 45        |
| Assemblaggio (fig. D)                                | 45        |
| <b>Allenamenti.....</b>                              | <b>45</b> |
| Istruzioni per l'esercizio                           | 45        |
| Frequenza cardiaca                                   | 45        |
| <b>Utilizzo.....</b>                                 | <b>46</b> |
| Regolazione dei piedi di supporto                    | 46        |
| Regolazione della resistenza                         | 46        |
| Impostare l'orologio (clock)                         | 46        |
| <b>Console (fig F) .....</b>                         | <b>46</b> |
| Spiegazione dei pulsanti                             | 47        |
| Spiegazione delle funzioni di visualizzazione        | 47        |
| Utilizzo....   | 47        |
| <b>Programmi .....</b>                               | <b>47</b> |
| Programma manuale                                    | 47        |
| Recovery.  | 48        |
| <b>Pulizia e manutenzione .....</b>                  | <b>48</b> |
| Lubrificazione (fig. G)                              | 48        |
| Sostituzione delle batterie                          | 48        |
| Difetti e malfunzionamenti                           | 48        |
| <b>Trasporto e stoccaggio .....</b>                  | <b>48</b> |
| Informazioni aggiuntive                              | 48        |
| <b>Dati tecnici.....</b>                             | <b>49</b> |
| <b>Garanzia.....</b>                                 | <b>49</b> |
| <b>Dichiarazione del fabbricante.....</b>            | <b>49</b> |
| <b>Clausola di esonero della responsabilità.....</b> | <b>49</b> |

## Vogatore

Benvenuti nel mondo di Tunturi Fitness!  
Grazie per aver acquistato questo apparecchio Tunturi. Tunturi offre un'ampia gamma di apparecchi per fitness professionale, fra cui crosstrainer, tapis roulant, cyclette, e vogatori e. Questo apparecchio Tunturi è adatto per tutta la famiglia, a prescindere dal livello di forma fisica. Per ulteriori informazioni, visitare il sito Web [www.tunturi.com](http://www.tunturi.com)

## Precauzioni di sicurezza

### ⚠ ATTENZIONE

- Leggere le precauzioni di sicurezza e le istruzioni. La mancata osservanza delle precauzioni di sicurezza e delle istruzioni può causare lesioni personali o danni all'apparecchio. Conservare gli avvisi di sicurezza e le istruzioni per future consultazioni.

### ⚠ ATTENZIONE

- Il sistema di monitoraggio della frequenza cardiaca può essere impreciso. L'eccessivo esercizio può causare serie lesioni o perfino il decesso. Se si avverte spossatezza, interrompere immediatamente l'allenamento.
- L'apparecchio è adatto esclusivamente per un uso domestico, non professionale. L'apparecchio non è idoneo per scopi commerciali.
- L'utilizzo massimo è limitato fino a 3 ore al giorno
- L'uso di questo apparecchio da parte di bambini o persone con handicap fisici, sensoriali, mentali o motori o privi di esperienza e di competenze può causare pericoli. Le persone responsabili per la loro sicurezza devono fornire esplicite istruzioni o supervisionare l'uso dell'apparecchio.
- Prima di iniziare l'allenamento, consultare un medico per verificare il proprio stato di salute.
- Se si avvertono nausea, vertigini o altri sintomi anomali, interrompere immediatamente l'allenamento e consultare un medico.
- Per evitare dolori muscolari e sforzi, iniziare ogni allenamento con una fase di riscaldamento e terminare ogni allenamento con una fase di defaticamento. Ricordarsi di eseguire lo stretching al termine dell'allenamento.
- L'apparecchio è adatto esclusivamente per un uso in interni. L'apparecchio non è idoneo per un uso all'aperto.
- Utilizzare l'apparecchio in un ambiente con ventilazione adeguata. Non utilizzare in ambienti esposti alle correnti d'aria per non prendere un raffreddore.
- Utilizzare l'apparecchio esclusivamente in ambienti con temperature comprese fra 10 °C e 35 °C. Conservare l'apparecchio esclusivamente in ambienti con temperature comprese fra 5°C~45°C/ 41°F~113°F.
- Non utilizzare o riporre l'apparecchio in ambienti umidi. L'umidità dell'aria non deve mai superare l'80%.
- Utilizzare l'apparecchio solo per lo scopo previsto. Non utilizzare l'apparecchio per scopi diversi da quelli descritti nel manuale.
- Non usare l'apparecchio se presenta parti danneggiate o difettose. In caso di parti danneggiate o difettose contattare il rivenditore.
- Mantenere mani, piedi e le altre parti del corpo lontani dalle parti in movimento.
- Tenere i capelli lontani dalle parti in movimento.
- Indossare indumenti e scarpe adatti.
- Mantenere abiti, gioielli e altri oggetti lontani dalle parti in movimento.
- Controllare che l'apparecchio venga utilizzato da una sola persona alla volta. L'apparecchio non deve essere utilizzato da persone di peso superiore a 120 kg (264 lbs)
- Non smontare l'apparecchio senza aver consultato il rivenditore..

## Istruzioni di montaggio

### Descrizione (fig. A)

Il vogatore è un apparecchio fisso per il fitness utilizzato per simulare la voga senza causare eccessiva pressione sulle giunture.

## Contenuto dell'imballaggio (fig. B & C)

- L'imballaggio contiene i componenti illustrati nella fig. B.
- L'imballaggio contiene gli elementi di fissaggio illustrati nella fig. C. Consultare la sezione "Descrizione".

### ⚠️ NOTA

- Se una parte manca, contattare il rivenditore.

## Assemblaggio (fig. D)

### ⚠️ ATTENZIONE

- Assemblare l'apparecchio nell'ordine indicato.
- Per trasportare e spostare l'apparecchio sono necessarie almeno due persone.

### ⚠️ AVVISO

- Collocare l'apparecchio su una superficie stabile e in piano.
- Collocare l'apparecchio su una base protettiva per evitare danni alla superficie del pavimento.
- Mantenere uno spazio libero di almeno 1 m intorno all'apparecchio.
- Consultare le illustrazioni per il corretto assemblaggio dell'apparecchio.

### ⚠️ NOTA

- Conservare tutti gli utensili forniti con questo prodotto, dopo aver completato il montaggio del prodotto, per eventuali necessità di assistenza in futuro.

## Allenamenti

L'allenamento deve essere adeguatamente leggero ma di lunga durata. L'esercizio aerobico si basa sul miglioramento del consumo massimo di ossigeno del corpo che a sua volta migliora resistenza e forma fisica. Durante l'allenamento è necessario sudare ma non arrivare all'affanno. Per raggiungere e mantenere una forma fisica di base, allenarsi almeno tre volte alla settimana, per 30 minuti alla volta. Aumentare il numero di sessioni di esercizio per migliorare il livello di forma fisica. È importante combinare l'esercizio regolare con una dieta salutare. Una persona impegnata a seguire una dieta dovrà allenarsi quotidianamente, iniziando con 30 minuti o meno e aumentando gradualmente l'allenamento giornaliero fino ad un'ora. Iniziare l'allenamento a bassa velocità e con scarsa resistenza per evitare di sottoporre a uno stress eccessivo il sistema cardiovascolare. Man mano che il livello di forma fisica aumenta, è possibile aumentare gradualmente anche velocità e resistenza. L'efficienza dell'allenamento può essere misurata monitorando la frequenza cardiaca e le pulsazioni.

## Istruzioni per l'esercizio

L'utilizzo del vostro fitness trainer vi darà diversi benefici, migliorerà la vostra forma fisica, tono muscolare e, insieme a una dieta con le calorie sotto controllo, vi aiuterà a perdere peso.

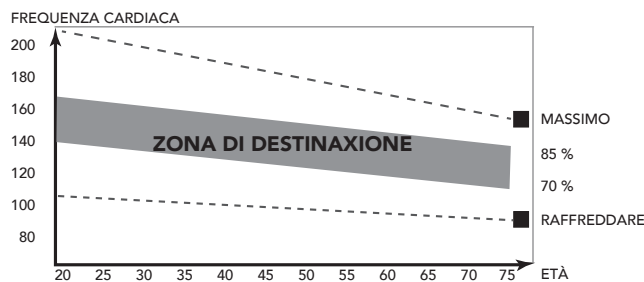
### La fase di riscaldamento

Questa fase aiuta a far scorrere il sangue nel corpo e a far funzionare correttamente i muscoli. Ridurrà anche il rischio di crampi e di lesioni muscolari. Si consiglia di fare qualche esercizio di stretching come

mostrato qui di seguito. Ogni esercizio di stretching andrebbe mantenuto per circa 30 secondi, non forzare o strappare i muscoli durante l'esercizio, se si sente un dolore FERMARSI SUBITO

### La fase dell'esercizio

Questa è la fase dove fate il vostro sforzo. Dopo un uso regolare, i muscoli delle vostre gambe diventeranno più flessibili. Lavorare nell'ottica del vostro obiettivo è molto importante per mantenere un ritmo costante durante l'esercizio. La velocità del vostro lavoro dovrebbe essere sufficiente per aumentare il vostro battito cardiaco nella zona target mostrata sul grafico qui sotto.



Questa fase dovrebbe durare almeno 12 minuti anche se la maggior parte delle persone inizia a circa 15-20 minuti

### La fase di defaticamento

Questa fase consente al vostro sistema cardiovascolare e ai vostri muscoli di rilassarsi. Questa è una ripetizione dell'esercizio di riscaldamento, cioè riduce il vostro ritmo, e continua per circa 5 minuti. Gli esercizi di stretching adesso andrebbero ripetuti, ricordandosi sempre di non forzare o strappare i vostri muscoli nello stretching.

A mano a mano che sarete più in forma, potrete aver bisogno di allenarvi di più e più a lungo. Si consiglia di allenarsi almeno tre volte alla settimana, e se possibile, spalmare gli esercizi in

### Tono muscolare

Per tonificare i muscoli mentre siete sul vostro fitness trainer dovrete impostare la resistenza abbastanza alta. Questo sforzerà di più i muscoli delle vostre gambe e potrebbe voler dire che non potrete allenarvi per il tempo che avreste desiderato. Se anche voi state cercando di migliorare la vostra forma dovrete modificare il vostro programma di allenamento. Dovreste allenarvi normalmente durante le fasi di riscaldamento e di defaticamento, ma verso la fine della fase dell'esercizio dovrete aumentare la resistenza, per fare lavorare di più le vostre gambe. Dovrete ridurre la vostra velocità per mantenere la vostra frequenza cardiaca nella zona target.

### Perdere peso

Qui il fattore importante è la quantità di sforzo che mettete. Più forte e a lungo lavorate e più calorie brucerete. In effetti è uguale a come se stesse allenandovi per migliorare la vostra forma, la differenza è l'obiettivo.

## Frequenza cardiaca

### Misurazione della frequenza cardiaca (fascia toracica)

#### ⚠️ NOTA

- La fascia toracica non è di serie con questa macchina. Se si desidera utilizzare una fascia toracica wireless, è necessario acquistarla come accessorio.

tramite una fascia cardiaca. La misurazione viene effettuata da un ricevitore della frequenza cardiaca combinato con una fascia toracica trasmittente. Per un'accurata misurazione della frequenza cardiaca, gli elettrodi sulla fascia del trasmettitore devono essere leggermente umidi e costantemente a contatto con la pelle. Se gli elettrodi sono troppo asciutti o troppo bagnati, la misurazione della frequenza cardiaca diventa meno accurata.

**⚠ ATTENZIONE**

- Se l'utente è portatore di pacemaker, consultare un medico prima di utilizzare una fascia toracica per la misurazione della frequenza cardiaca.

**⚠ AVVISO**

- In presenza di numerosi dispositivi per la misurazione della frequenza cardiaca vicini, verificare che siano almeno ad una distanza di 1,5 metri uno dall'altro.
- In presenza di un solo ricevitore e numerosi trasmettitori di frequenza cardiaca, verificare che solo una persona con un trasmettitore sia all'interno del campo di trasmissione.

**🔧 NOTA**

- Indossare sempre la fascia toracica sotto gli abiti a diretto contatto con la pelle. Non indossare la fascia toracica sopra gli abiti. Indossando la fascia toracica sopra gli abiti, non sarà trasmesso alcun segnale.
- Impostando un limite per la frequenza cardiaca, viene generato un allarme acustico al superamento di tale limite.
- Il trasmettitore trasmette la frequenza cardiaca alla console fino ad una distanza di 1 metro. Se gli elettrodi non sono umidi, la frequenza cardiaca non viene visualizzata sul display.
- Alcune fibre negli abiti (ad es. poliestere, poliammide) creano elettricità statica che può impedire un'accurata misurazione della frequenza cardiaca.
- Cellulari, TV e altri apparecchi elettrici creano un campo magnetico che può impedire un'accurata misurazione della frequenza cardiaca.

**Massima frequenza cardiaca (durante l'allenamento)**

La massima frequenza cardiaca è la frequenza cardiaca più elevata che una persona può raggiungere in sicurezza durante lo stress dell'allenamento. Per calcolare la massima frequenza cardiaca media, viene utilizzata la seguente formula:  $220 - ET\grave{A}$ . La massima frequenza cardiaca varia da persona a persona.

**⚠ ATTENZIONE**

- Porre attenzione a non superare la massima frequenza cardiaca durante l'allenamento. In caso di appartenenza ad un gruppo a rischio, consultare un medico.

**Principianti**

**50-60% della massima frequenza cardiaca**

Adatta per persone in fase di dieta dimagrante, principianti, convalescenti e per chi non fa esercizio da molto tempo. Allenarsi almeno tre volte alla settimana, per 30 minuti alla volta.

**Livello avanzato**

**60-70% della massima frequenza cardiaca**

Adatta per coloro che desiderano migliorare e mantenere la forma fisica. Allenarsi almeno tre volte alla settimana, per 30 minuti alla volta.

**70-80% della massima frequenza cardiaca**

Adatta per le persone in perfetta forma fisica abituate ad allenamenti che richiedono molta resistenza.

**Utilizzo**

**Regolazione dei piedi di supporto**

L'apparecchio è dotato di 2 piedi di supporto. Se l'apparecchio non è stabile, è possibile regolare i piedi di supporto.

- Ruotare i piedi di supporto come necessario per rendere stabile il tapis roulant.

**🔧 NOTA**

- La stabilità della macchina è maggiore quando tutti i piedi di supporto sono completamente avvitati. Pertanto iniziare a livellare la macchina avvitando completamente tutti i piedi di supporto, prima di svitare il piede di supporto necessario a stabilizzarla.

**Regolazione della resistenza**

Per aumentare o diminuire la resistenza, ruotare la manopola di regolazione nella parte superiore del tubo di supporto del manubrio

- Senso orario (direzione +) per aumentare la resistenza.
- Senso antiorario (direzione -) per diminuire la resistenza.

La scala sopra la manopola (1-8) vi aiuta a trovare e azzerare una resistenza adatta.

**Impostare l'orologio (clock)**

- Tenere premuto il pulsante MODE e il pulsante RESET per 2 secondi per ripristinare lo strumento.
- Premere il pulsante SU o GIÙ per impostare l'orologio.

**Console (fig F)**



**⚠ AVVISO**

- Non esporre la console alla luce solare diretta.
- Asciugare la superficie della console se è coperta da gocce di sudore.
- Non appoggiarsi sulla console.
- Toccare il display solo con la punta delle dita. Non toccare il display con le unghie o con oggetti appuntiti.

**🔧 NOTA**

- La console passa in modalità standby quando l'apparecchio non viene utilizzato per 4 minuti.

## Spiegazione dei pulsanti

---

### Mode

- Scegliere ogni funzione premendo il tasto MODE.

### Start/ Stop

Inizio o conclusione dell'esercizio.

### Recovery

- Una volta che console rileva il segnale d'impulso, premere il tasto RECOVERY per accedere in modalità recupero e monitorare la capacità di recupero della frequenza cardiaca.

### Reset

- In modalità impostazione, premere una volta il tasto RESET per azzerare i valori della funzione corrente.
- Premere il tasto RESET e tenerlo premuto per 2 secondi per azzerare tutti i valori di tutte le funzioni.

### Up

- Selezione impostazione.

### Down

- Selezione impostazione.

## Spiegazione delle funzioni di visualizzazione

---

### Strokes

Il numero di vogate/min. È presente anche una barra al di sotto del display di lettura che indica la velocità delle vogate.

### Time

Durata esercizio

00:00~99:59: misurazione ogni 1 secondo,

h1:40~h9:59 misurazione ogni 1 minuto.

### Pulse

L'icona del cuore lampeggia in base al ritmo della frequenza cardiaca. Le icone che raffigurano le frecce indicano se la frequenza supera per eccesso o difetto il valore di riferimento impostato.

### Distance

Distanza (km) d'esercizio.

### Speed/ RPM

- Visualizza la velocità di allenamento corrente/ Visualizza i giri al minuto.

### Calories

- Accumula automaticamente le calorie bruciate quando si fanno gli esercizi.

### ⚠️ NOTA

- Questo dato è una guida approssimativa per confrontare le differenti sedute di esercizi che non può essere usato in un trattamento medico.

### Clock

Orologio.

### Temperature

La temperatura ambiente viene visualizzata (°C)

### Humidity

Misurazione dell'umidità ambientale, 0-100%

### Valore di allenamento

Valore di allenamento selezionato.

### Profilo di allenamento

Profilo di allenamento selezionato.

### Cumulative heart rate

Se durante l'allenamento si utilizza il cardiofrequenzimetro, sul display sarà visualizzato il profilo della frequenza cardiaca registrata.

### Battery low (Sostituzione pile)

Questo messaggio avverte l'utente della necessità di sostituire le pile.

## Utilizzo

---

### Accensione

- Premere qualsiasi tasto per accendere la console mentre si trova in modalità sleep.

### Prima dell'uso

- Premere il pulsante SU o GIÙ per selezionare una voce di menu.
- Premere il pulsante MODE per confermare.
- Premere il pulsante SU o GIÙ per modificare il valore per la voce di menu selezionata.
- Premere il pulsante MODE per confermare.

### Durante l'uso

Il menu mostra costantemente i valori per le voci di menu. I diversi valori lampeggiano sul display uno dopo l'altro ogni 6 secondi.

- Premere il pulsante MODE per interrompere la scansione automatica dei valori per le diverse voci di menu.
- Premere il pulsante MODE tutte le volte necessarie per visualizzare le informazioni per una voce di menu specifica.
- Ruotare la manopola di regolazione della resistenza per modificare la resistenza.

### ⚠️ NOTA

- Quando si impostano più obiettivi, l'allenamento si concluderà al primo obiettivo raggiunto.

## Programmi

---

### Programma manuale

---

- Premere il pulsante SU o GIÙ per impostare l'ora. Premere il pulsante MODE per confermare.
- Premere il pulsante SU o GIÙ per impostare la distanza. Premere il pulsante MODE per confermare.
- Premere il pulsante SU o GIÙ per impostare il consumo di energia. Premere il pulsante MODE per confermare.
- Premere il pulsante SU o GIÙ per impostare il limite della frequenza

cardiaca. Premere il pulsante MODE per confermare.

- Premere il pulsante START/ STOP per iniziare l'allenamento. Se hai impostato valori target, i valori iniziano a contare.

## Recovery

Serve per misurare la frequenza cardiaca di recupero alla fine dell'allenamento.

- La funzione RECOVERY sarà valida solo se viene rilevato un impulso.
- Per passare alla misurazione della frequenza cardiaca di recupero, bisogna premere il tasto RECOVERY.
- La misurazione inizia automaticamente e dura due minuti.
- Alla fine della misurazione, verrà visualizzato il rapporto della frequenza cardiaca di recupero come valore percentuale. Minore sarà questo valore, migliore sarà la condizione fisica dell'utente. Ricordate che i valori rilevati sono collegati con la frequenza cardiaca iniziale e che i vostri risultati sono personali e non confrontabili con quelli degli altri. Al fine di migliorare l'attendibilità della misurazione frequenza cardiaca di recupero, cerca sempre di standardizzare l'atto collegato alla misurazione, il più precisamente possibile; incomincia a misurare, con estrema precisione, partendo da uno stesso livello pulsazioni.
- Dalla misurazione della frequenza cardiaca di recupero si può passare alla schermata principale, premendo il tasto RESET; il pannello tornerà automaticamente alla schermata principale un minuto dopo la fine della misurazione.

### ⚠️ NOTA

- Quando il risultato del recupero mostra una cifra negativa, significa che la frequenza cardiaca alla fine della misurazione era maggiore rispetto all'inizio.
- ERR viene visualizzato quando non viene rilevata la frequenza cardiaca.

## Pulizia e manutenzione

L'apparecchio non richiede manutenzione speciale. L'apparecchio non richiede ricalibrazione quando viene assemblato, utilizzato e sottoposto a assistenza in conformità con le istruzioni.

### ⚠️ ATTENZIONE

- Non utilizzare solventi per pulire l'apparecchio.
- Pulire l'apparecchio con un panno morbido e assorbente dopo ogni uso.
- Verificare regolarmente che tutte le viti e i dadi siano serrati.
- Se necessario, lubrificare i raccordi.

## Lubrificazione (fig. G)

L'apparecchio deve essere lubrificato regolarmente, ma solo se necessario.

- Se necessario, applicare un po' di lubrificante come indicato.

## Sostituzione delle batterie

La console è dotata di 2 batterie stilo AA sul retro della console.

- Rimuovere il coperchio.
- Rimuovere le vecchie batterie.
- Inserire le nuove batterie. Verificare che le batterie rispettino i simboli della polarità (+) e (-).
- Montare il coperchio.

## Difetti e malfunzionamenti

Nonostante il costante controllo di qualità, i singoli componenti possono causare difetti e malfunzionamenti all'apparecchio. Nella maggior parte dei casi, è sufficiente sostituire i componenti difettosi.

- Se l'apparecchio non funziona correttamente, contattare immediatamente il rivenditore.
- Fornire il numero di modello e il numero di serie dell'apparecchio al rivenditore. Comunicare la natura del problema, le condizioni d'uso e la data d'acquisto.

### Risoluzione dei problemi:

- Se la visualizzazione dello schermo LCD è debole, significa che le batterie devono essere cambiate.
- Se non c'è nessun segnale quando si pedala, controllare se il cavo è connesso bene.

### ⚠️ NOTA

- Se si interrompe l'allenamento per 4 minuti, la schermata principale si spegnerà.
- Se il computer visualizza le cose in modo anomalo, reinsertire le batterie e riprovare.

## Trasporto e stoccaggio

### ⚠️ ATTENZIONE

- Per trasportare e spostare l'apparecchio sono necessarie almeno due persone.
- Posizionarsi in piedi davanti all'apparecchio da entrambi i lati e afferrare saldamente le impugnature. Sollevare la parte anteriore dell'apparecchio in modo da sollevare il retro sulle ruote. Spostare l'apparecchio e abbassarlo con cura. Collocare l'apparecchio su una base protettiva per evitare danni alla superficie del pavimento.
- Spostare l'apparecchiatura con attenzione sulle superfici irregolari. Non spostare l'apparecchio al piano superiore utilizzando le ruote ma sostenerlo per le impugnature.
- Riporre l'apparecchio in un luogo asciutto con la minore variazione di temperatura possibile.

## Informazioni aggiuntive

### Smaltimento dell'imballo

Le linee guide governative chiedono di ridurre la quantità di rifiuti smaltiti nelle discariche. Per questo vi chiediamo di smaltire in modo responsabile tutti i rifiuti d'imballo presso dei centri di riciclaggio pubblici.



## Smaltimento a fine vita

Noi di Tunturi speriamo che possiate godervi molti anni di piacevole uso dal nostro fitness trainer. Tuttavia, arriverà il momento quando il vostro fitness trainer arriverà alla fine della sua vita utile. Secondo la Legislazione Europea WEEE voi siete responsabili per uno smaltimento appropriato del vostro fitness trainer presso una struttura di raccolta pubblica autorizzata.

## Dati tecnici

| Parametro  | Unità di misura | Valore     |
|--|-----------------|------------|
| Ricevitore per la frequenza cardiaca telemetrico | Frequenza       | 5.3 KHz    |
| Lunghezza  | cm<br>inch      | 201<br>79  |
| Larghezza  | cm<br>inch      | 54<br>21   |
| Altezza  | cm<br>inch      | 80<br>31   |
| Peso   | kg<br>lbs       | 31,6<br>70 |
| Peso massimo utente                              | kg<br>lbs       | 120<br>265 |
| Battery size                                     |                 | AA         |

## Garanzia

### Garanzia dell'attrezzo sportivo Tunturi

#### Condizioni di garanzia

Il consumatore è tutelato da tutti i diritti previsti dalla legislazione nazionale e riguardanti l'acquisto di beni di consumo. Questi diritti fondamentali non sono limitati dalle condizioni di garanzia. La garanzia entra in vigore solo se l'attrezzo in questione prodotto dall'azienda Tunturi Ltd. viene utilizzato in linea con le condizioni ambientali d'uso specificate dal fabbricante. Le condizioni ambientali d'uso degli attrezzi son

#### Condizioni per la garanzia

La garanzia entra in vigore dalla data dell'acquisto dell'attrezzo. Le condizioni per la garanzia possono variare in funzione del paese. Rivolgersi al rivenditore di zona per maggiori informazioni sulle condizioni per la garanzia.

#### Copertura della garanzia

L'azienda Tunturi Ltd ed i suoi rappresentanti non rispondono per nessun motivo dei danni indiretti causati all'acquirente dall'attrezzo. Per danni indiretti s'intendono quelli relativi al mancato sfruttamento dell'attrezzo, mancato guadagno o altri danni di natura economica.

#### Limiti di garanzia

La garanzia copre i difetti di materiale e fabbrica dell'attrezzo che si manifestano subito dopo l'acquisto. La garanzia copre solo i difetti che si manifestano durante l'uso normale e conforme alle istruzioni del manuale di installazione, manutenzione ed uso fornito da Tunturi. L'azienda Tunturi Ltd ed i suoi rivenditori non rispondono dei danni causati da eventi al di fuori del loro controllo. La garanzia riguarda

solo il proprietario originario dell'attrezzo ed è in vigore solo in quei paesi in cui Tunturi Ltd dispone di un proprio rappresentante autorizzato.

La garanzia non copre i difetti di quegli attrezzi o componenti che sono stati modificati senza l'espressa autorizzazione del fabbricante Tunturi Ltd. La garanzia non copre i difetti causati dalla normale usura, da un uso in condizioni non previste, dalla corrosione, dalla movimentazione e dal trasporto.

La garanzia non copre rumori o suoni emessi durante l'uso a meno che non impediscano l'uso dell'attrezzo e che non siano causati da un guasto all'attrezzo stesso.

La garanzia non comprende nemmeno i normali interventi di servizio dell'attrezzo, come per esempio la pulizia, lubrificazione, controllo periodico dei componenti né le piccole installazioni che può effettuare il cliente stesso e che non richiedono lo smontaggio/montaggio dell'attrezzo. Questi interventi sono, per esempio, la sostituzione del pannello, dei pedali o di altri componenti analoghi. La garanzia non copre gli interventi di riparazione previsti, se non vengono eseguiti da un rappresentante autorizzato Tunturi. Se sbagliate a seguire le istruzioni del manuale d'uso, decade subito la garanzia sul prodotto.

## Dichiarazione del fabbricante

Tunturi New Fitness BV dichiara che questo prodotto è conforme ai seguenti standard e direttive: EN 957 (HB), 89/336/CEE. Pertanto sul prodotto è apposto il marchio CE.

01-2017

Tunturi New Fitness BV  
Purmerweg 1  
1311 XE Almere  
Paesi Bassi

## Clausola di esonero della responsabilità

© 2017 Tunturi New Fitness BV  
Tutti i diritti riservati.

Il prodotto e il manuale sono soggetti a modifiche. Le specifiche tecniche possono essere modificate senza preavviso.

**Español**

Este manual español es una traducción del texto inglés. No se pueden derivar derechos de esta traducción. El texto original en inglés prevalecerá.

## Índice

|  |           |
|--|-----------|
| <b>Remo .....</b>                        | <b>50</b> |
| <b>Advertencias de seguridad.....</b>    | <b>50</b> |
| <b>Instrucciones de montaje.....</b>     | <b>50</b> |
| Descripción (fig. A)                     | 50        |
| Package contents (fig. B & C)            | 51        |
| Montaje (fig. D)                         | 51        |
| <b>Sesiones de ejercicio .....</b>       | <b>51</b> |
| Ejercicio Instrucciones                  | 51        |
| Del ritmo cardíaco                       | 51        |
| <b>Uso .....</b>                         | <b>52</b> |
| Ajuste de los pies de soporte            | 52        |
| Ajuste de la resistencia                 | 52        |
| Ajuste del reloj                         | 52        |
| <b>Consola (fig F).....</b>              | <b>52</b> |
| Explicación de los botones               | 53        |
| Explicación de los elementos en pantalla | 53        |
| Funcionamiento                           | 53        |
| <b>Programs .....</b>                    | <b>54</b> |
| Programa manual                          | 54        |
| Recovery.                                | 54        |
| <b>Limpieza y mantenimiento.....</b>     | <b>54</b> |
| Sustitución de las pilas                 | 54        |
| Defectos y fallos                        | 54        |
| <b>Transporte y almacenamiento.....</b>  | <b>54</b> |
| Información adicional                    | 55        |
| <b>Datos técnicos .....</b>              | <b>55</b> |
| <b>Garantía .....</b>                    | <b>55</b> |
| <b>Declaración del fabricante .....</b>  | <b>55</b> |
| <b>Descargo de responsabilidad .....</b> | <b>55</b> |

## Remo

¡Bienvenido al mundo de Tunturi Fitness!

Le agradecemos la compra de esta máquina Tunturi. Tunturi ofrece una amplia gama de máquinas de fitness profesionales como bicicletas elípticas, cintas de correr y bicicletas de ejercicio. La máquina Tunturi es adecuada para toda la familia, independientemente del nivel de forma física. Si desea información adicional, visite nuestro sitio web [www.tunturi.com](http://www.tunturi.com)

## Advertencias de seguridad

### ⚠ ADVERTENCIA

- Lea las advertencias de seguridad y las instrucciones. De no seguirse las advertencias de seguridad y las instrucciones pueden producirse lesiones personales o daños en la máquina. Conserve las advertencias de seguridad y las instrucciones para su consulta posterior.

### ⚠ ADVERTENCIA

- Los sistemas de motorización de frecuencia cardíaca pueden ser imprecisos. Un exceso de ejercicio puede provocar lesiones graves o incluso la muerte. Si se siente mareado, deje de hacer ejercicio inmediatamente.
- La máquina es adecuada únicamente para uso doméstico. La máquina no es adecuada para un uso comercial.
  - El uso máx. Está limitado a 3 horas al día.
  - El uso de esta máquina por niños o por personas con una discapacidad física, sensorial o motora, o falta de experiencia y conocimientos, puede dar lugar a situaciones de riesgo. Las personas responsables de su seguridad deben dar instrucciones explícitas o supervisar el uso de la máquina.
  - Antes de empezar a hacer ejercicio, consulte con un médico para comprobar su estado de salud.
  - Si experimenta náuseas, mareos u otros síntomas anormales, deje de hacer ejercicio inmediatamente y consulte con un médico.
  - Para evitar dolor y tensión muscular, realice un calentamiento antes de empezar a hacer ejercicio y termine haciendo relajación. Recuerde hacer estiramientos al final de la sesión de ejercicio.
  - La máquina es adecuada únicamente para uso en interior. La máquina no es adecuada para un uso en exterior.
  - Utilice la máquina únicamente en lugares con una ventilación adecuada. No utilice la máquina en lugares donde haya corriente para no resfriarse.
  - Utilice la máquina únicamente en lugares con una temperatura ambiente entre 10 °C y 35 °C. Almacene la máquina únicamente en lugares con una temperatura ambiente entre 5 °C y 45 °C.
  - No utilice ni almacene la máquina en espacios húmedos. La humedad del aire no debe ser superior al 80%.
  - Utilice la máquina sólo para su uso previsto. No la utilice para otros fines que no sean los descritos en el manual.
  - La máquina no debe utilizarse si alguna de las piezas ha sufrido daños o tiene algún defecto. Contacte con su proveedor si alguna de las piezas ha sufrido daños o tiene algún defecto.
  - Mantenga las manos, los pies y demás partes del cuerpo alejadas de las piezas móviles.
  - Mantenga el pelo alejado de las piezas móviles.
  - Lleve ropa y calzado adecuado.
  - Mantenga la ropa, las joyas y otros objetos alejados de las piezas móviles.
  - Asegúrese de que sólo una persona utilice la máquina cada vez. La máquina no debe ser utilizada por personas cuyo peso supere los 120 kg (265 lbs).
  - No abra la máquina sin consultar con su proveedor.

## Instrucciones de montaje

### Descripción (fig. A)

El remo es una máquina estacionaria de fitness que se utiliza para simular la acción de remar sin generar una presión excesiva en las articulaciones.

## Package contents (fig. B & C)

- El paquete contiene los elementos que se muestran en la fig. B.
- El paquete contiene los elementos de fijación que se muestran en la fig. C. consulte la sección "Descripción".

### ⚠️ NOTA

- Si falta una pieza, contacte con su proveedor.

## Montaje (fig. D)

### ⚠️ ADVERTENCIA

- Monte la máquina en el orden indicado.
- Al menos dos personas deben transportar y mover la máquina.

### ⚠️ PRECAUCIÓN

- Coloque la máquina sobre una superficie firme y nivelada.
  - Coloque la máquina sobre una base protectora para evitar daños en la superficie del suelo.
  - Deje unos 100 cm de espacio alrededor de la máquina.
- Consulte las ilustraciones para el correcto montaje de la máquina.

### ⚠️ NOTA

- Guarde las herramientas suministradas con este producto una vez que haya completado el montaje del producto, para futuros fines de servicio.

## Sesiones de ejercicio

La sesión de ejercicio debe ser ligera, pero de larga duración. El ejercicio aeróbico se basa en mejorar el consumo de oxígeno máximo del cuerpo, lo que a su vez mejora la resistencia y la forma física. Debe transpirar, pero no debe quedarse sin aliento durante la sesión de ejercicio. Para lograr y mantener un nivel de forma física básico, debe realizar ejercicio al menos tres veces a la semana, 30 minutos cada vez. Aumente el número de sesiones de ejercicio para mejorar su nivel de forma física. Vale la pena combinar el ejercicio regular con una dieta sana. Una persona que se encuentre a dieta debe realizar ejercicio a diario, al principio 30 minutos o menos cada vez, aumentando gradualmente el tiempo de ejercicio diario hasta una hora. Empiece la sesión de ejercicio a velocidad baja y resistencia baja para evitar que el sistema cardiovascular se vea sometido a una tensión excesiva. A medida que mejore el nivel de forma física, pueden aumentarse gradualmente la velocidad y la resistencia. La eficiencia de su ejercicio puede medirse supervisando su frecuencia cardíaca y sus pulsaciones.

## Ejercicio Instrucciones

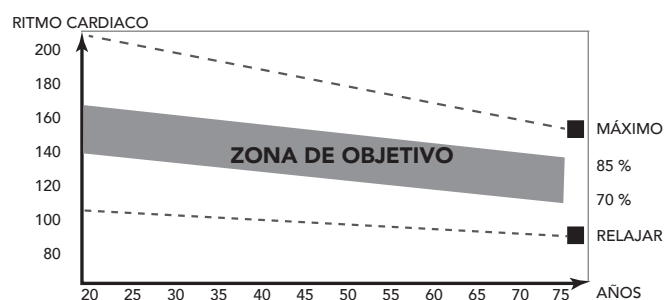
El uso de su entrenador le aportará muchas ventajas, mejorará su tono físico, tonificará los músculos y, combinado con una dieta con un consumo controlado de calorías, le ayudará a perder peso.

### Fase de calentamiento

Esta fase mejora la circulación y favorece el buen funcionamiento de los músculos. Asimismo, reduce el riesgo de calambres y de lesiones musculares. Es conveniente realizar una serie de ejercicios de estiramiento, como se muestra más abajo. Al estirar se debe mantener la posición durante unos 30 segundos; no fuerce los músculos ni realice movimientos bruscos para estirarlos, si duele, PARE inmediatamente.

### Fase de ejercicio

Esta es la fase de esfuerzo. Tras un uso regular, los músculos de las piernas irán ganando flexibilidad. Es importante mantener un ritmo estable durante toda esta fase. El ejercicio debe ser lo suficientemente fuerte como para incrementar el ritmo cardíaco hasta el objetivo que se muestra en el siguiente cuadro.



Esta fase debe tener una duración mínima de 12 minutos, aunque la mayoría de las personas empiezan a los 15-20 minutos.

### Fase de enfriamiento

La finalidad de esta fase es permitir que se relaje el sistema cardiovascular y los músculos. Es una repetición del ejercicio de calentamiento, por lo que debe ir reduciendo el ritmo de manera constante durante unos 5 minutos. En este momento debe repetir también los ejercicios de estiramiento, evitando de nuevo forzar los músculos o hacer movimientos bruscos.

A medida que vaya mejorando su forma física, es posible que el entrenamiento tenga que ser más largo e intenso. Es aconsejable entrenarse al menos tres veces a la semana, espaciando de manera uniforme, en la medida de lo posible, los entrenamientos durante la semana.

### Tonificación muscular

Si quiere tonificar los músculos mientras trabaja con el aparato, deberá ajustar la resistencia en un nivel bastante alto. Así aumentará la tensión sobre los músculos de las piernas, con lo que es posible que no pueda entrenarse durante todo el tiempo que le gustaría. Si quiere mejorar su condición física, tendrá que modificar también el programa de entrenamiento. El entrenamiento durante las fases de calentamiento y enfriamiento será igual, pero debe aumentar la resistencia hacia el final de la fase de ejercicio para incrementar el esfuerzo del tren inferior. Tendrá que reducir la velocidad para mantener el ritmo cardíaco en la zona objetivo.

### Pérdida de peso

El factor determinante en este sentido es el esfuerzo realizado. Cuanto más intenso y prolongado sea el ejercicio físico, más calorías quemará. En realidad, es lo mismo que si se entrenara para mejorar la condición física, lo que cambia es el objetivo.

## Del ritmo cardíaco

### Medición de la frecuencia cardíaca (correa en el pecho para la frecuencia cardíaca)

#### ⚠️ NOTA

- Una correa de pecho no viene de serie con este entrenador. Cuando te gusta usar una correa de cofre inalámbrica, debes comprarla como accesorio.

La medición más precisa de la frecuencia cardíaca se logra con una correa en el pecho para la frecuencia cardíaca. La frecuencia cardíaca se mide con un receptor de frecuencia cardíaca en combinación con una correa transmisora de la frecuencia cardíaca. Para una medición precisa de la frecuencia cardíaca es necesario que los electrodos de la correa transmisora estén ligeramente húmedos y que toquen constantemente la piel. Si los electrodos están demasiado secos o demasiado húmedos, la medición de la frecuencia cardíaca puede resultar menos precisa.

#### ⚠ ADVERTENCIA

- Si usted tiene un marcapasos, consulte con un médico antes de utilizar una correa en el pecho para la frecuencia cardíaca.

#### ⚠ PRECAUCIÓN

- Si hay varios dispositivos de medición de frecuencia cardíaca en proximidad, asegúrese de que la distancia entre ellos sea de al menos 2 metros.
- Si sólo hay un receptor de frecuencia cardíaca y varios transmisores, asegúrese de que sólo una persona con un transmisor se encuentre en la zona de transmisión.

#### 🗣 NOTA

- Lleve siempre la correa en el pecho para la frecuencia cardíaca debajo de la ropa, en contacto directo con la piel. No lleve la correa en el pecho para la frecuencia cardíaca por encima de la ropa. Si lleva la correa en el pecho para la frecuencia cardíaca por encima de la ropa, no habrá señal.
- Si define un límite de frecuencia cardíaca para su sesión de ejercicio, cada vez que éste se supere sonará una alarma.
- El transmisor transmite la frecuencia cardíaca a la consola hasta una distancia de 1,5 metro. Si los electrodos no están húmedos, la frecuencia cardíaca no aparece en la pantalla.
- Algunas fibras de la ropa (p. ej. poliéster, poliamida) generan electricidad estática, la cual puede impedir la medición precisa de la frecuencia cardíaca.
- Los teléfonos móviles, las televisiones y otros aparatos eléctricos generan un campo electromagnético que puede impedir la medición precisa de la frecuencia cardíaca.

#### Frecuencia cardíaca máxima (durante el entrenamiento)

alcanzar una persona de forma segura por la tensión del ejercicio. Se utiliza la siguiente fórmula para calcular la frecuencia cardíaca máxima media:  $220 - \text{EDAD}$ . La frecuencia cardíaca máxima varía según la persona.

#### ⚠ ADVERTENCIA

- Asegúrese de no superar la frecuencia cardíaca máxima durante la sesión de ejercicio. Si usted se encuentra en un grupo de riesgo, consulte con un médico.

#### Principiante

##### 50-60% de frecuencia cardíaca máxima

Adecuada para principiantes, personas que cuidan la línea, convelescentes y personas que no han hecho ejercicio en mucho tiempo. Haga ejercicio al menos tres veces a la semana, 30 minutos cada vez.

#### Avanzado

##### 60-70% de frecuencia cardíaca máxima

Adecuada para personas que desean mejorar y mantener la forma física. Haga ejercicio al menos tres veces a la semana, 30 minutos cada vez.

#### Experto

##### 70-80% de frecuencia cardíaca máxima

Adecuado para personas con muy buena forma física que están acostumbradas a sesiones de ejercicio de gran resistencia.

### Uso

#### Ajuste de los pies de soporte

La máquina está equipada con 2 pies de soporte. Si la máquina no está estable, es posible ajustar los pies de soporte.

- Gire los pies de soporte tanto como sea necesario para estabilizar la máquina.
- Apriete las contratueras para bloquear los pies de soporte.

#### 🗣 NOTA

- La máquina es más estable cuando todos los pies de soporte están totalmente girados hacia dentro. Por tanto, empiece a nivelar la máquina girando totalmente hacia dentro todos los pies de soporte, antes de girar hacia fuera el pie de soporte necesario para estabilizar la máquina.

#### Ajuste de la resistencia

Para aumentar o disminuir la resistencia, gire la perilla de ajuste situada en la parte superior del tubo de soporte del manillar en el sentido de las agujas del reloj (dirección +) para aumentarla y en el sentido contrario (dirección -) para disminuirla.

La escala que aparece encima de la perilla (1-8) le permite buscar y reajustar un grado adecuado de resistencia.

#### Ajuste del reloj

- Pulse y mantenga el botón MODE y el botón RESET durante 2 segundos para restablecer el contador.
- Pulse el botón UP o el botón DOWN para ajustar el reloj.

### Consola (fig F)



**⚠ PRECAUCIÓN**

- Mantenga la consola alejada de la luz solar directa.
- Seque la superficie de la consola cuando esté cubierta de gotas de sudor.
- No se apoye en la consola.
- Toque la pantalla únicamente con la punta del dedo. Asegúrese de no tocar la pantalla con las uñas ni objetos afilados.

**🔔 NOTA**

- La consola pasa al modo de espera activa cuando la máquina no se usa durante 4 minutos.

**Explicación de los botones****Mode**

Pulse el botón para confirmar su selección.

**Start/ Stop**

Pulse el botón para iniciar el entrenamiento.

Pulse el botón de nuevo para poner en pausa el entrenamiento (máx. 5 minutos).

Pulse el botón de nuevo para continuar el entrenamiento.

Pulse y mantenga el botón para detener el entrenamiento.

**Recovery**

Pulse el botón para calcular su frecuencia cardíaca de recuperación tras una sesión de ejercicio.

**Reset**

Pulse el botón para volver al menú.

Pulse y mantenga el botón para restablecer el contador.

**Up**

Selección de los valores objetivo

**Down**

Selección de los valores objetivo

**Explicación de los elementos en pantalla****Strokes (Remadas)**

Remadas por minuto como un valor numerado (/min) y una representación gráfica (barras).

**Time (Tiempo)**

Duración (hh:mm y mm:ss) de la sesión de ejercicio.

**Pulse (Pulsaciones)**

Límite de frecuencia cardíaca (lpm) durante la sesión de ejercicio. El símbolo del corazón parpadea simultáneamente con su propia frecuencia cardíaca. El símbolo de flecha aparece cuando su frecuencia cardíaca está por encima o por debajo de los límites de frecuencia cardíaca establecidos.

**Distance (Distancia)**

Distancia (km) de la sesión de ejercicio.

**Speed/ RPM (Velocidad/ RPM)**

Velocidad (km/h) o RPM (rev/min) de la sesión de ejercicio.

**Calories (Calorías)**

Consumo de energía (kcal) de la sesión de ejercicio.

**🔔 NOTA**

- Estos datos son una guía aproximada para la comparación de distintas sesiones de ejercicios que no pueden utilizarse en tratamientos médicos.

**Clock Reloj)**

Reloj en tiempo real.

**Temperature (Temperatura)**

Temperatura ambiental (°C)

**Humidity (Humedad)**

Humedad ambiental (%).

**Valor de sesión de ejercicio**

Valor de sesión de ejercicio seleccionado.

**Perfil de sesión de ejercicio**

Perfil de sesión de ejercicio seleccionado.

**Frecuencia cardíaca acumulada**

Perfil de frecuencia cardíaca durante la sesión de ejercicio.

**Advertencia de pila baja**

Símbolo de advertencia para sustituir las pilas.

**Funcionamiento****Encendido**

- Pulse cualquier tecla para encender la consola cuando se está en el modo dormir

**Antes del uso**

- Pulse el botón UP o el botón DOWN para seleccionar un elemento del menú.
- Pulse el botón MODE para confirmar.
- Pulse el botón UP o el botón DOWN para cambiar el valor del elemento del menú seleccionado.
- Pulse el botón MODE para confirmar.

**Durante el uso**

El menú muestra constantemente los valores para los elementos del menú. Los diferentes valores parpadean en la pantalla uno tras otro cada 6 segundos.

- Pulse el botón MODE para detener el barrido automático de los valores para los diferentes elementos del menú.
- Pulse el botón MODE tantas veces como sea necesario para mostrar la información de un elemento del menú específico.
- Gire el pomo de ajuste de resistencia para cambiar la resistencia.

**🔔 NOTA**

- Si define valores objetivo, suena una alarma y el entrenamiento se detiene automáticamente cuando se alcanza el primero de los valores objetivo especificado.

## Programs

### Programa manual

- Pulse el botón UP o el botón DOWN para ajustar el tiempo. Pulse el botón MODE para confirmar.
- Pulse el botón UP o el botón DOWN para ajustar la distancia. Pulse el botón MODE para confirmar.
- Pulse el botón UP o el botón DOWN para ajustar el consumo de energía. Pulse el botón MODE para confirmar.
- Pulse el botón UP o el botón DOWN para ajustar el límite de frecuencia cardíaca. Pulse el botón MODE para confirmar.
- Pulse el botón START/STOP para iniciar la sesión de ejercicio. Si ha definido valores objetivo, comienza la cuenta atrás de dichos valores.

### Recovery

Medición del ritmo cardíaco de recuperación.

Mide su ritmo cardíaco de recuperación una vez concluido el ejercicio.

- La tecla de "RECOVERY" solo será válida si se detecta pulso.
- Podrá acceder a la medición del ritmo cardíaco de recuperación presionando la tecla RECOVERY. En el monitor aparecerá el texto Recovery.
- La medición comienza automáticamente y dura dos minutos.
- Al término del periodo de medición aparecerá en el monitor la relación de recuperación del ritmo cardíaco expresada en forma de porcentaje. Cuánto más pequeña sea la cifra indicada, mejor es la condición física de que goza. Observe que su resultado está en relación con el ritmo cardíaco que tenía en el momento inicial de la medición y que su resultado es personal y por consiguiente no comparable directamente con los resultados de otras personas. Para garantizar la veracidad del resultado de la medición procure no cambiar las circunstancias de la misma. Siempre empiece la medición en el mismo nivel del pulso.
- Para pasar de la medición del ritmo cardíaco de recuperación a la visualización general del monitor, presione la tecla RESET; el contador pasará al monitor general automáticamente después de transcurrido

#### ⚠ NOTA

- Cuando el resultado de Recuperación muestra una cifra negativa, significa que su frecuencia cardíaca al final de la medición fue más alta que al comienzo.
- ERR se muestra cuando no se detecta frecuencia cardíaca.

## Limpeza y mantenimiento

La máquina no requiere un mantenimiento especial. No es necesario recalibrar la máquina cuando ésta se ha montado, utilizado y mantenido según las instrucciones.

#### ⚠ ADVERTENCIA

- Antes de la limpieza y el mantenimiento, retire el adaptador.
- No utilice disolventes para limpiar la máquina.

- Limpie la máquina con un paño suave y absorbente tras cada uso.
- Compruebe periódicamente que todos los tornillos y las tuercas estén apretados.
- En caso necesario, lubrique las juntas.

### Lubricación (fig. G)

La máquina debe lubricarse periódicamente, pero sólo si es necesario.

- En caso necesario, aplique un poco de lubricante como se muestra.

### Sustitución de las pilas

La consola está equipada con 2 pilas AA en la parte posterior de la misma.

- Retire la cubierta.
- Retire las pilas usadas.
- Inserte pilas nuevas. Asegúrese de que coincidan las marcas de polaridad (+) y (-).
- Monte la cubierta.

### Defectos y fallos

A pesar del control de calidad continuo, la máquina puede presentar defectos y fallos ebidos a piezas individuales. En la mayoría de los casos, será suficiente sustituir la pieza defectuosa.

- Si la máquina no funciona correctamente, contacte inmediatamente con su proveedor.
- Facilite al proveedor el número de modelo y el número de serie de la máquina. Indique la naturaleza del problema, las condiciones de uso y la fecha de compra.

### Solución de problemas:

- Si la pantalla LCD está oscurecida, significa que las pilas deben cambiarse.
- Si no hay señal al pedalear, por favor compruebe que el cable esté bien conectado.

#### ⚠ NOTA

- Al detener el entrenamiento durante 4 minutos, la pantalla principal se apagará.
- Si el ordenador presenta información anormal en pantalla, por favor vuelva a instalar las pilas y prueba de nuevo.

## Transporte y almacenamiento

#### ⚠ ADVERTENCIA

- Antes del transporte y el almacenamiento, retire el adaptador.
  - Al menos dos personas deben transportar y mover la máquina.
- Hay que colocarse de pie delante de la máquina en cada lado y agarrar bien por los manillares. Levante la parte delantera de la máquina para poder levantar la parte trasera sobre las ruedas. Mueva la máquina y bájela con cuidado. Coloque la máquina sobre una base protectora para evitar daños en la superficie del suelo.
  - Mueva la máquina con cuidado sobre superficies irregulares. No suba la máquina por las escaleras usando las ruedas; transporte la máquina por los manillares.
  - Almacene la máquina en un lugar seco con la menor variación de temperatura posible.

## Información adicional

### Eliminación de embalajes

Las pautas gubernamentales exigen reducir la cantidad de residuos que se depositan en los basureros. Por este motivo, le rogamos que deseche los embalajes de manera responsable en centros públicos de reciclaje.

### Eliminación al final de la vida útil

Desde Tunturi esperamos que disfrute de su equipo de entrenamiento durante muchos años. No obstante, llegará un momento en que éste llegue al final de su vida útil. Conforme a la Directiva WEEE (relativa a la gestión de residuos procedentes de equipos eléctricos y electrónicos) le corresponde a usted la responsabilidad de desechar adecuadamente su equipo de entrenamiento en un centro público autorizado de recogida.

## Datos técnicos

| Parámetro             | Unidad de medición | Valor      |
|-----------------------|--------------------|------------|
| Longitud              | cm<br>inch         | 201<br>79  |
| Anchura               | cm<br>inch         | 54<br>21   |
| Altura                | cm<br>inch         | 80<br>31   |
| Peso                  | kg<br>lbs          | 31,6<br>70 |
| Peso máx. del usuario | kg<br>lbs          | 120<br>265 |
| Tamaño de pila        |                    | AA         |

## Garantía

### Garantía del propietario del equipo Tunturi

#### Condiciones de la garantía

El consumidor tiene derecho a la aplicación de los derechos legales específicos de la legislación nacional concernientes al comercio de bienes de consumo y esta garantía no limita dichos derechos. La Garantía del Propietario sólo estará en vigor cuando el equipo se utilice en el entorno de uso permitido por Tunturi New Fitness BV para dicho equipo de ejercicio. En las instrucciones de uso de cada aparato se especifica el entorno de uso permitido para el mismo.

#### Términos de la garantía

Los términos de la garantía comenzarán el día de la compra. Los términos de garantía pueden variar por país, así que consulte con su distribuidor local para ver cuáles son los términos de la garantía.

#### Cobertura de la garantía

Tunturi New Fitness BV o los distribuidores Tunturi no responderán en ninguna circunstancia a causa de esta garantía por los eventuales daños indirectos, secundarios, resultantes o especiales de ningún tipo derivados del uso o la imposibilidad de uso de este equipo.

### Restricciones a la garantía

La garantía cubre los fallos debidos a la fabricación y los materiales en un equipo de ejercicio que esté en su ensambladura original. La garantía cubre solamente defectos que se manifiesten durante un uso normal, conforme a las instrucciones dadas en la guía suministrada con el equipo, a condición de que se hayan observado las instrucciones de montaje, mantenimiento y utilización proporcionadas por Tunturi. Tunturi New Fitness BV y los distribuidores Tunturi no pueden responder de fallos ocasionados por circunstancias ajenas a su control. La presente garantía sólo es válida para el comprador original del equipo de ejercicio y tiene vigencia solamente en los países en los que Tunturi New Fitness BV cuenta con un importador autorizado. La garantía no cubre los equipos de ejercicio o sus partes que hayan sido modificados sin el consentimiento previo de Tunturi New Fitness BV. La garantía no cubre fallos derivados del desgaste normal, de un uso indebido, de su uso en condiciones para las que el equipo no ha sido concebido, corrosión o daños sufridos durante la carga o el transporte.

La garantía no cubre los sonidos o ruidos emitidos durante el uso que no impidan de forma sustancial la utilización del equipo y que no estén provocados por un fallo del mismo

La garantía no cubre las actividades de mantenimiento tales como limpieza, lubricación o el ajuste normal de las piezas, ni los procedimientos de instalación que el cliente pueda realizar por sí mismo y que no requieran un desmontaje / montaje especial del equipo de ejercicio. Estos procedimientos son, por ejemplo, el cambio de contadores, pedales o de otras piezas simples similares. No se reembolsarán las reparaciones realizadas durante el periodo de garantía por agentes no autorizados por Tunturi. Si no se siguen adecuadamente las instrucciones dadas en el Manual del Propietario se invalidará la garantía del producto.

## Declaración del fabricante

Tunturi New Fitness BV declara que el producto es conforme con las siguientes normas y directivas: EN 957 (HB), 89/336/CEE. Por tanto, el producto dispone de marcado CE.

01-2017

Tunturi New Fitness BV  
Purmerweg 1  
1311 XE Almere  
The Netherlands

## Descargo de responsabilidad

© 2017 Tunturi New Fitness BV  
Reservados todos los derechos.

El producto y el manual están sujetos a cambios. Las especificaciones pueden cambiarse sin previo aviso.

**På svenska**

Denna handbok är en översättning av den engelska texten. Vi förbehåller oss rätten till eventuella översättningsfel. Den engelska originaltexten råder.

## Index

|  |           |
|--|-----------|
| <b>Roddmaskin</b> .....                  | <b>56</b> |
| <b>Säkerhetsvarningar</b> .....          | <b>56</b> |
| <b>Monteringsanvisningar</b> .....       | <b>56</b> |
| Beskrivning (fig. A)                     | 56        |
| Förpackningens innehåll (fig. B & C)     | 56        |
| Montering (fig. D)                       | 57        |
| <b>Träning</b> .....                     | <b>57</b> |
| Övning Instruktioner                     | 57        |
| Hjärtfrekvens                            | 57        |
| <b>Användning</b> .....                  | <b>58</b> |
| Justera stödfötterna                     | 58        |
| Justering af motståndet                  | 58        |
| Ställa in klocka                         | 58        |
| <b>Panel (fig F)</b> .....               | <b>58</b> |
| Explicación de los botones               | 58        |
| Förklaring av displayen                  | 59        |
| Manövrering                              | 59        |
| <b>Programs</b> .....                    | <b>59</b> |
| Manuellt program                         | 59        |
| Recovery.                                | 59        |
| <b>Rengöring och underhåll</b> .....     | <b>60</b> |
| Smörjning (fig. G)                       | 60        |
| Byta ut batterier                        | 60        |
| Fel och funktionsstörningar              | 60        |
| <b>Transport och lagring</b> .....       | <b>60</b> |
| Ytterligare information                  | 60        |
| <b>Teknisk information</b> .....         | <b>60</b> |
| <b>Garanti</b> .....                     | <b>61</b> |
| <b>Försäkran från tillverkaren</b> ..... | <b>61</b> |
| <b>Friskrivning</b> .....                | <b>61</b> |

## Roddmaskin

Välkommen till Tunturi Fitness värld!

Tack för att du köpte denna utrustning från Tunturi. Tunturi erbjuder ett stort utbud av professionell träningsutrustning, exempelvis crosstrainers, löpband, träningscyklar och roddmaskiner. Utrustning från Tunturi passar hela familjen, oavsett träningsnivå. Mer information finns på vår webbplats, [www.tunturi.com](http://www.tunturi.com)

## Säkerhetsvarningar

**⚠ VARNING**

- Läs säkerhetsvarningarna och instruktionerna. Om inte säkerhetsvarningarna och instruktionerna följs kan det medföra skador på personer eller utrustningen. Behåll säkerhetsvarningarna och instruktionerna för framtida bruk.

**⚠ VARNING**

- System för övervakning av hjärtfrekvensen är inte alltid exakta. Överträning kan medföra allvarlig skada eller död. Sluta omedelbart att träna om du känner dig svag.
- Utrustningen är endast anpassad för hemmabruk. Utrustningen är inte anpassad
- Maximal användning är begränsad till 3 timmar per dag.
- Om utrustningen används av barn eller personer med fysiska, sensoriska, mentala eller motoriska handikapp, eller som saknar erfarenhet och kunskap, kan detta medföra risker. Personer som är ansvariga för deras säkerhet måste ge tydliga instruktioner, eller övervaka användningen av utrustningen.
- Innan du påbörjar din träning, uppsök en läkare som kan kontrollera din hälsa.
- Om du upplever illamående, yrsel eller andra onormala symptom, avsluta genast din träning och kontakta en läkare.
- Börja varje träningspass med att värma upp och avsluta varje träningspass med nedvarning för att undvika muskelsmärter och sträckningar. Kom ihåg att stretcha i slutet av träningen.
- Utrustningen är endast anpassad för användning inomhus. Utrustningen är inte anpassad för användning utomhus.
- Använd endast utrustningen i miljöer med god ventilation. Använd inte utrustningen i dragiga miljöer för att undvika att bli förkyld.
- Använd endast utrustningen i miljöer med temperatur mellan 10 °C och 35 °C. Förvara endast utrustningen i miljöer med temperatur mellan 5 °C och 45a °C.
- Använd inte och förvara inte utrustningen i fuktig miljö. Luftfuktigheten får aldrig överstiga 80%.
- Använd endast utrustningen för dess avsedda ändamål. Använd inte utrustningen för andra ändamål än de som beskrivs i handboken.
- Använd inte den här utrustningen om någon del är trasig eller skadad. Om någon del är trasig eller skadad, kontakta din återförsäljare.
- Håll undan händer, fötter och andra kroppsdelar från de rörliga delarna.
- Håll undan håret från de rörliga delarna.
- Bär passande kläder och skor.
- Håll undan kläder, smycken och andra föremål från de rörliga delarna.
- Låt bara en person åt gången använda utrustningen. Utrustningen får inte användas av personer som väger mer än 120 kg (265 lbs).
- Öppna inte utrustningen utan att kontakta din återförsäljare.

## Monteringsanvisningar

**Beskrivning (fig. A)**

Din roddmaskin är en stationär träningsmaskin som används för att simulera rodd utan att orsaka kraftigt tryck på lederna.

**Förpackningens innehåll (fig. B & C)**

- Förpackningen innehåller delarna som visas i fig. B.
- Förpackningen innehåller de fästdon som visas i fig. C. Se avsnittet "Beskrivning".

**🔧 ANMÄRKNING**

- Om någon del saknas, kontakta din återförsäljare.



## Montering (fig. D)

### ⚠ VARNING

- Montera utrustningen i angiven ordning.
- Var två om att bära och förflytta utrustningen.

### ⚠ OBS.

- Placera utrustningen på en stabil och jämn yta.
- Placera utrustningen på en skyddande grund för att förhindra att golvet skadas.
- Lämna åtminstone 100 cm fritt runt utrustningen.

- Illustrationerna visar det korrekta sättet att montera utrustningen.

### 🔧 ANMÄRKNING

- Spara verktygen som följer med denna produkt när monteringen är klar så att du kan använda dem för framtida servicearbeten.

## Träning

Träningen måste vara lagom lätt, men hålla på länge. Aerobisk träning är till för att förbättra kroppens maximala syreupptag, vilket förbättrar uthålligheten och konditionen. Du ska svettas, men du ska inte bli andfådd under träningen. För att uppnå och behålla en grundkondition, träna åtminstone tre gånger i veckan, 30 minuter åt gången. Öka antalet träningspass för att förbättra din kondition. Det är bra att kombinera regelbunden träning med hälsosam kost. En person som har bestämt sig för att banta bör träna dagligen, 30 minuter eller mindre till en början och sedan öka den dagliga träningstiden till en timme. Börja din träning i låg hastighet och med lågt motstånd för att förhindra att hjärtkärlets utsäts för kraftig belastning. När konditionen förbättras, kan hastigheten och motståndet ökas gradvis. Din tränings effektivitet kan mätas genom att kontrollera din hjärtfrekvens och din puls.

## Övning Instruktioner

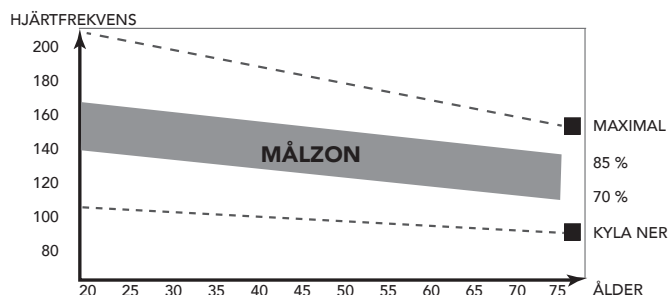
Användningen av ditt träningsredskap kommer att ge dig många fördelar; det kommer att förbättra din fysiska kondition, tona musklerna och tillsammans med en kalorikontrollerad diet hjälpa dig att gå ned i vikt.

### Uppvärmningsfasen

Denna fas får blodet att börja pumpa runt i kroppen och förbereder musklerna på aktivitet. Den minskar även risken för kramp och muskelskada. Det är tillrådligt att göra några stretchövningar som visas nedan. Varje stretchövning ska hållas i ungefär 30 sekunder. Tvinga eller tryck inte in musklerna i en stretchövning. Om det gör ont, SLUTA

### Träningsfasen

Detta är fasen där du jobbar. Efter regelbunden användning, kommer musklerna i dina ben att bli mer flexibla. I denna fas är det mycket viktigt att bibehålla ett jämnt tempo från början till slut. Ansträngningsnivån ska vara tillräcklig för att höja din puls till målzonen som visas i nedanstående figur



Denna fas bör pågå i minst 12 minuter, även om de flesta börjar med ungefär 15-20 minuter.

### Nedvarningsfasen

Under denna fas får ditt kardiovaskulära system och dina muskler varva ned. Den är en upprepning av uppvärmningsövningen, t.ex. minska ditt tempo, fortsätt i ca 5 minuter. Stretchövningarna ska nu upprepas. Kom ihåg att inte tvinga eller trycka in musklerna i stretchövningen.

När du blir mer vältränad, kan du träna längre och hårdare. Vi rekommenderar att träna minst tre gånger i veckan, och, om möjligt, fördela dina träningsstillfällen jämnt under hela veckan.

### Muskeltoning

För att tona musklerna när du använder träningsredskapet, måste du ställa in en ganska hög belastning. Detta belastar benmusklerna mer och kan innebära att du inte kan träna så länge som du vill. Om du även försöker förbättra din kondition, måste du ändra ditt träningsprogram. Du bör träna som vanligt under uppvärmnings- och nedvarningsfaserna, men mot slutet av träningsfasen kan du öka belastningen så att dina ben får jobba hårdare. Du måste minska hastigheten för att hålla pulsen i målzonen.

### Viktminskning

Den viktigaste faktorn här är hur mycket du anstränger dig. Ju hårdare och längre du tränar, desto fler kalorier bränner du. Detta är i princip detsamma som om du tränade för att förbättra din kondition, skillnaden är målet.

## Hjärtfrekvens

### Hjärtfrekvensmätning (pulsbälte)

#### 🔧 ANMÄRKNING

- Ett bröstband är inte standard med denna tränare. När du gillar att använda ett trådlöst bröstband måste du köpa detta som tillbehör.

Den mest exakta mätningen av hjärtfrekvensen uppnås med ett pulsband. Hjärtfrekvensen mäts av en hjärtfrekvensmottagare i kombination med ett pulsband med sändare. Korrekt pulsmätning kräver att elektroderna på sändarbandet är en aning fuktiga och i ständig kontakt med skinnet. Om elektroderna är för torra eller för fuktiga kan pulsmätningen bli mindre exakt.

#### ⚠ VARNING

- Kontakta en läkare innan du använder ett pulsband om du har pacemaker.

**⚠ OBS.**

- Om det finns flera enheter för hjärtfrekvensmätning bredvid arandra, kontrollera att avståndet mellan dem är minst 2 meter.
- Om det bara finns en hjärtfrekvensmottagare och flera hjärtfrekvenssändare, kontrollera att bara en person med sändare är inom mottagningsområdet.

**⚠ ANMÄRKNING**

- Bär alltid pulsbeltet under dina kläder, i direktkontakt med huden. Bär inte pulsbeltet utanpå kläderna. Om du bär pulsbeltet utanpå kläderna kommer det inte att bli någon signal.
- Om du har ställt in en begränsning av hjärtfrekvensen för din träning, kommer ett larm att ljuda när den överskrids.
- Sändaren sänder hjärtfrekvensen till panelen upp till ett avstånd på 1,5 meter. Om elektroderna inte är fuktiga, kommer inte hjärtfrekvensen att visas på displayen.
- Vissa klädfibrer (t.ex. polyester eller polyamid) skapar statisk elektricitet som kan förhindra en korrekt mätning av hjärtfrekvensen.
- Mobiltelefoner, tv-apparater och andra elektriska apparater skapar ett elektromagnetiskt fält som kan förhindra en korrekt mätning av hjärtfrekvensen.

**Maximal hjärtfrekvens (under träning)**

Den maximala hjärtfrekvensen är den högsta hjärtfrekvens en person säkert kan få vid träning. Följande formel används för att beräkna den genomsnittliga maximala hjärtfrekvensen:  $220 - \text{ÅLDER}$ . Den maximala hjärtfrekvensen varierar från person till person.

**⚠ VARNING**

- Kontrollera att du inte överskrider din maximala hjärtfrekvensen under din träning. Kontakta en läkare om du tillhör en riskgrupp.

**Nybjörjarnivå****50-60% av den maximala hjärtfrekvensen**

Passar nybjörjare, viktvaktare, konvalescenter och personer som inte har tränat på länge. Träna åtminstone tre gånger i veckan, 30 minuter åt gången.

**Avanceradnivå****60-70% av den maximala hjärtfrekvensen**

Passar personer som vill förbättra och underhålla konditionen. Träna åtminstone tre gånger i veckan, 30 minuter åt gången.

**Expert****70-80% av den maximala hjärtfrekvensen**

Passar de mest vältränade, som är vana vid långa och tunga träningspass.

**Användning****Justera stödfötterna**

Utrustningen är utrustad med 2 stödfötter. Om utrustningen inte är stabil, kan stödfötterna justeras..

- Vrid stödfötterna för att placera utrustningen i en stabil position.
- Vrid åt låsmutterna för att låsa stödfötterna.

**⚠ ANMÄRKNING**

- Maskinen är i maximalt stabilt läge när alla stödfötter vrids helt inåt. Örja därför att placera maskinen helt plant genom att vrida alla stödfötter helt inåt, innan du vrider ut de nödvändiga stödfötterna för att stabilisera maskinen.

**Justering af motståndet**

Du kan öka eller minska motståndet med hjälp av reglaget upptill på handstödet. Om du vrider medsols (+) ökar motståndet och om du vrider motsols (-) minskar motståndet.

Med hjälp av skalan (1-8) är det lätt att ställa in önskat motstånd.

**Ställa in klocka**

- Håll MODE-knappen och RESET-knappen intryckt i 2 sekunder för att återställa mätaren.
- Tryck på UPP-knappen eller DOWN-knappen för att ställa in klockan.

**Panel (fig F)****⚠ OBS**

- Skydda panelen från direkt solljus.
- Torka av panelens yta när den är täckt av svett droppar.
- Luta dig inte mot panelen.
- Vidrör endast displayen med din fingertopp. Var noga med att inte dina naglar eller vassa föremål vidrör displayen.

**⚠ ANMÄRKNING**

- Panelen övergår till viloläge när utrustningen inte har använts på 4 minuter.

**Explicación de los botones****Mode**

Pulse el botón para confirmar su selección.

**Start/ Stop**

Pulse el botón para iniciar el entrenamiento.

Pulse el botón de nuevo para poner en pausa el entrenamiento (máx. 5 minutos).

Pulse el botón de nuevo para continuar el entrenamiento.

Pulse y mantenga el botón para detener el entrenamiento.

**Recovery**

Pulse el botón para calcular su frecuencia cardíaca de recuperación tras una sesión de ejercicio.

**Reset**

Pulse el botón para volver al menú.

Pulse y mantenga el botón para restablecer el contador.

**Up**

Selección de los valores objetivo

**Down**

Selección de los valores objetivo

**Förklaring av displayen****Strokes (Drag)**

Drag per minut, dels som en siffra (/min) och dels visas det grafiskt (streck).

**Time (Tid)**

Träningens varaktighet (hh:mm och mm:ss).

**Pulse (Puls)**

Begränsning för hjärtfrekvens (bpm) under träningen. Hjärtsymbolen blinkar i takt med din egen hjärtfrekvens. Pilen visas när din hjärtfrekvens överskrider eller underskrider den inställda gränsen för hjärtfrekvens.

**Distance (Avstånd)**

Avstånd (km eller engelska mil) under träningen.

**Speed/ RPM (Hastighet/ RPM)**

Hastighet (km/h eller ml/h) eller RPM (varv/min) under träningen.

**Calories (Kalorier)**

Energiförbrukningen (kcal) under träningen.

**⚠ OBS!**

- Dessa data är en ungefärligt värde för att kunna jämföra olika övningsessioner och kan inte användas inom medicinsk behandling.

**Clock (Klocka)**

Klocka för vanlig tid.

**Temperature (Temperatur)**

Rumstemperatur (°C)

**Humidity (Fuktighet)**

Rummets fuktighet (%).

**Träningsvärde**

Valt träningsvärde.

**Träningsprofil**

Vald träningsprofil.

**Kumulativ hjärtfrekvens**

Hjärtfrekvensprofil under träningen.

**Varning för dåligt batteri**

Varnar att det är dags att byta ut batterierna.

**Manövrering****Ström på**

- Tryck på valfri knapp för att sätta på strömmen om enheten befinner sig i läget SLEEP.

**Före användning**

- Tryck på knappen UP eller DOWN för att välja menyvalet.
- Tryck på knappen MODE för att bekräfta.
- Tryck på knappen UP eller DOWN för att ändra värde på det valda menyvalet.
- Tryck på knappen MODE för att bekräfta.

**Vid användning**

Menyn visar hela tiden värdena för menyvalen. De olika värdena visas på displayen, ett efter ett, var sjätte sekund.

- Tryck på knappen MODE för att stoppa den automatiska visningen av samtliga värden för de olika menyvalen.
- Tryck på knappen MODE så många gånger som behövs för att visa informationen för ett visst menyval.
- Vrid vredet för justering av motståndet för att ändra motståndet.

**⚠ ANMÄRKNIN**

- Om du ställer in målvärden, kommer ett larm att ljuda och träningen avslutas automatiskt när det första av de angivna målvärdena nås.

**Programs****Manuellt program**

- Tryck på knappen UP eller DOWN för att ställa in tiden. Tryck på knappen MODE för att bekräfta.
- Tryck på knappen UP eller DOWN för att ställa in avståndet. Tryck på knappen MODE för att bekräfta.
- Tryck på knappen UP eller DOWN för att ställa in energiförbrukningen. Tryck på knappen MODE för att bekräfta.
- Tryck på knappen UP eller DOWN för att ställa in begränsningen av hjärtfrekvens. Tryck på knappen MODE för att bekräfta.
- Tryck på knappen START/STOP för att påbörja träningen. Om du har ställt in målvärden börjar värdena att räknas ned.

**Recovery**

mätningen av återhämtningspuls

Mäta återhämtningspuls efter träningen.

- Knappen RECOVERY fungerar endast om puls detekteras.
- Mätningen kan du börja med att trycka på knappen RECOVERY. På displayen står "Recovery".
- Mätningen börjar automatiskt och varar två minuter.
- Till slutet av mätningen visar displayen pulsens återhämtningsrelation som procenttal. Ju mindre avläsning, desto bättre kondition har du. Beakta att dina resultat befinner sig i en relation till inledningsmomentens pulsnivå och att dina resultat är personliga prestationer som inte kan direkt jämföras med andras resultat. För att förbättra tillförlitligheten i mätningen av återhämtningspuls bör du sträva efter att alltid göra mätningen på samma sätt och så noggrant som möjligt; börja mätningen så exakt som möjligt vid samma pulsnivå.

- Återvändningen från återhämtningsmätningen sker genom att trycka på knappen RESET; för övrigt återgår mätaren till den allmänna displayen en minut efter återhämtningsmätningen slutförts.

### ⚠ OBS!

- När återhämtningsresultatet visar en negativ siffra betyder det att din hjärtfrekvens i slutet av mätningen var högre än i början.
- ERR visas när det inte upptäcks någon puls.

## Rengöring och underhåll

Utrustningen kräver inte något särskilt underhåll. Utrustningen kräver inte omkalibrering när den monteras, används eller servas i enlighet med instruktionerna.

### ⚠ VARNING

- Innan rengöring och underhåll, avlägsna adaptorn.
  - Använd inte lösningsmedel för att rengöra utrustningen.
- Rengör utrustningen med en mjuk och absorberande trasa efter varje användning.
  - Kontrollera regelbundet att alla skruvar och muttrar är åtdragna.
  - Smörj vid behov.

### Smörjning (fig. G)

Utrustningen måste smörjas regelbundet, men bara vid behov.

- Vid behov kan lite smörjmedel appliceras, se bilden.

### Byta ut batterier

Panelen är utrustad med 2 AA-batterier på panelens baksida.

- Avlägsna luckan.
- Avlägsna de gamla batterierna.
- Sätt i de nya batterierna. Försäkra dig om att batterierna är rätt placerade mot (+) och (-) polerna.
- Montera luckan.

### Fel och funktionsstörningar

Trots ständig kvalitetskontroller, kan fel och funktionsstörningar inträffa som orsakas av enstaka delar. I de flesta fallen räcker det med att byta ut den felaktiga delen.

- Om utrustningen inte fungerar korrekt, kontakta omedelbart återförsäljaren.
- lämna utrustningens modellnummer och serienummer till återförsäljaren. Ange problemets art, förhållanden vid användning och inköpsdatum.

### Felsökning:

- Om LCD-displayen lyser svagt betyder det att batteriet måste bytas ut.
- Om det inte kommer någon signal när du trampar måste du kontrollera om kabeln sitter i riktigt.

### ⚠ OBS!

- Om träningen stoppas i 4 minuter sloknar huvudskärmen.
- Om datorn uppvisar onormala värden, sätt i batteriet på nytt och försök igen.

## Transport och lagring

### ⚠ VARNING

- Innan transport och förvaring, avlägsna adaptorn.
- Var två om att bära och förflytta utrustningen.

- Stå framför utrustningen på vardera sidan och ta ett fast grepp i handtagen. Lyft utrustningens framsida så att baksidan lyfts på hjulen. Förflytta utrustningen och sätt ner den försiktigt. Placera utrustningen på en skyddande grund för att förhindra att golvet skadas.
- Förflytta utrustningen försiktigt över ojämna ytor. Förflytta inte utrustningen till övervåningen med hjulen, utan bär utrustningen med handtagen.
- Förvara utrustningen på en torr plats med så liten temperaturvariation som möjligt.

### Ytterligare information

#### Bortskaffande av förpackning

Riktlinjer från myndigheter uppmanar att vi minskar mängden avfall som placeras i deponier. Vi ber dig därför att bortskaffa allt förpackningsavfall på ett ansvarsfullt sätt på allmänna återvinningscentraler.

#### Bortskaffande av uttjänt redskap

Vi på Tunturi hoppas att du får många års trevlig användning av ditt träningsredskap. Men det kommer en tid när ditt träningsredskap är uttjänt. Enligt den europeiska WEEE-lagstiftningen, ansvarar du för korrekt bortskaffande av ditt träningsredskap på en allmän återvinningsanläggning.

## Teknisk information

| Parameter        | Måttenhet  | Värde      |
|------------------|------------|------------|
| Längd            | cm<br>inch | 201<br>79  |
| Bredd            | cm<br>inch | 54<br>21   |
| Höjd             | cm<br>inch | 80<br>31   |
| Vikt             | kg<br>lbs  | 31,6<br>70 |
| Max användarvikt | kg<br>lbs  | 120<br>265 |
| Batteristorlek   |            | AA         |

## Garanti

---

### Tunturis ágargarantitunt

#### Garantivillkor

Konsumenten har rätt att tillämpa de nationellt lagstadgade rättigheterna gällande konsumentvaror och denna garanti begränsar inte dessa rättigheter.

Ägargarantin är giltig endast om Tunturis träningsredskap används i de miljöer som tillåts enligt Tunturi. Vilka miljöer som är tillåtna står i träningsredskapets bruksanvisning.

#### Garantivillkor

Garantivillkoren börjar att gälla från inköpsdatumet. Garantivillkoren kan variera mellan olika länder. Kontakta en lokal återförsäljare om garantivillkoren.

#### Garantins omfattning

Oavsett omständigheter, ansvarar inte Tunturi New Fitness BV eller Tunturis återförsäljare för uppkomna personskador som påverkar köparen, och som innebär inkomstförlust eller andra ekonomiska följdverkningar.

#### Gegränsningar i garantin

Garantin gäller för arbets- och materialfel, förutsatt att redskapet är i originalmonterat skick. Garantin gäller endast fel som uppstår vid normalt bruk och då den använts enligt Tunturis instruktioner gällande montering, skötsel och användning. Tunturi New Fitness BV och Tunturis återförsäljare ansvarar ej för fel som uppkommer utanför deras kontroll.

Garantin gäller endast redskapets ursprungliga ägare och är gällande endast i de länder där det finns en godkänd Tunturi New Fitness BV återförsäljare.

Garantin gäller ej för redskap eller delar som har ändrats utan Tunturi New Fitness BV:s godkännande. Garantin gäller ej för fel som beror på normalt slitage, felaktig användning, användning i förhållanden som inte är avsett för redskapet, korrosion eller lastnings- och transportskador.

Garantin täcker inte ljud som uppstår under användning såvida dessa inte väsentligt hindrar utrustningens användning eller har orsakas av ett fel i utrustningen.

Garantin gäller inte för underhållsarbete, som rengöring, smörjning eller normal kontroll av komponenterna och inte heller för monteringsarbete som kunden själv kan göra och som inte kräver att redskapet plockas isär/sätts ihop. Det gäller till exempel byte av mätare, trampor eller andra motsvarande enkla delar. Garantireparationer utförda av andra än en godkänd Tunturi-representant, ersätts inte. Ifall instruktionerna i manualen inte följs upphävs produktens garanti.

## Försäkran från tillverkaren

---

Tunturi New Fitness BV försäkrar att produkten uppfyller följande standarder och direktiv: EN 957 (HB), 89/336/EEG. Produkten är därför CE-märkt.

01-2017

Tunturi New Fitness BV  
Purmerweg 1  
1311 XE Almere  
Nederländerna

## Friskrivning

---

© 2017 Tunturi New Fitness BV  
Alla rättigheter förbehållna.

Produkten och handboken kan komma att ändras. Specifikationer kan ändras utan förvarning.

## Suomeksi

Tämä suomennettu käyttöohje on käännetty Englannin kielestä. Pidätämme oikeudet mahdollisiin käännösvirheisiin. Käännös tehty virallisen, englanninkielisen version pohjalta.

## Sisältö

|                                      |           |
|--------------------------------------|-----------|
| <b>Soutulaite .....</b>              | <b>62</b> |
| <b>Turvallisuusvaroitukset .....</b> | <b>62</b> |
| <b>Kokoamisohjeet.....</b>           | <b>62</b> |
| Kuvaus (kuva A)                      | 62        |
| Pakkauksen sisältö (kuva. B & C)     | 62        |
| Kokoonpano (kuva. D)                 | 62        |
| <b>Harjoitukset.....</b>             | <b>63</b> |
| Ohjeita harjoittelua varten          | 63        |
| Syke.....                            | 63        |
| Käyttö.....                          | 64        |
| Tukijalkojen säätäminen              | 64        |
| Vastuksen säätäminen                 | 64        |
| Kellon asettaminen                   | 64        |
| <b>Ohjauspaneeli (kuva F) .....</b>  | <b>64</b> |
| Painikkeiden merkitykset             | 64        |
| Näyttöaiheiden merkitykset           | 65        |
| Toiminta..                           | 65        |
| <b>Programs .....</b>                | <b>65</b> |
| Manuaalinen ohjelma                  | 65        |
| Recovery.                            | 65        |
| <b>Puhdistus ja huolto .....</b>     | <b>66</b> |
| Voitelu (kuva G)                     | 66        |
| Paristojen vaihto                    | 66        |
| Viat ja häiriöt                      | 66        |
| <b>Kuljetus ja säilytys .....</b>    | <b>66</b> |
| Lisätietoa laitteen omistajalle      | 66        |
| <b>Tekniset tiedot.....</b>          | <b>66</b> |
| <b>Takuu .....</b>                   | <b>66</b> |
| <b>Valmistajan vakuutus .....</b>    | <b>67</b> |
| <b>Vastuuvapauslauseke.....</b>      | <b>67</b> |

## Soutulaite

Tervetuloa Tunturi Fitness -maailmaan!

Kiitämme sinua tämän Tunturi-laitteen ostosta. Tunturi tarjoaa laajan valikoiman ammattimaisia kuntoilulaitteita, mukaan lukien crosstrainerit, juoksumatot, kuntopyörät ja soutulaitteet.

Tunturi-laite sopii koko perheelle kuntotasosta riippumatta. Katso lisätiedot verkkosivuiltamme [www.tunturi.com](http://www.tunturi.com)

## Turvallisuusvaroitukset

### ⚠ VAROITUS

- Lue turvallisuusvaroitukset ja -ohjeet. Turvallisuusvaroitusten ja -ohjeiden jättäminen noudattamatta voi aiheuttaa henkilön loukkaantumisen tai laitevaurion. Säilytä turvallisuusvaroitukset ja -ohjeet myöhempää käyttöä varten.

### ⚠ VAROITUS

- Sykkeenvälvontajärjestelmät saattavat olla epätarkkoja. Liiallinen harjoittelu saattaa aiheuttaa vakavia vammoja tai kuoleman. Jos tunnet olosi heikoksi, lopeta harjoittelu heti.
- Laite on sopiva vain kotikäyttöön. Laite ei ole sopiva kaupalliseen käyttöön.
- Enimmäiskäyttö on rajoitettu 5 tuntiin päivässä
- Tämän laitteen käyttö lasten tai fyysisesti, aistillisesti, henkisesti, tai liikunnallisesti rajoittuneiden, tai kokemukseltaan ja tiedoiltaan puutteellisten henkilöiden toimesta voi aiheuttaa vaaratilanteita. Heidän turvallisuudestaan vastuussa olevien henkilöiden on annettava selkeät ja tarkat ohjeet laitteen käytöstä ja valvottava laitteen käyttöä.
- Ennen harjoituksen aloittamista ota yhteys lääkäriin terveystarkastusta varten.
- Jos sinulla on pahoinvointia, huimausta, tai muita epätavallisia oireita, lopeta välittömästi harjoitus ja ota yhteys lääkäriin.
- Vältä lihaskipuja ja venähdyksiä aloittamalla jokainen harjoitus lämmittelyjaksolla ja pääätä jokainen harjoitus jäähdyttelyjaksolla. Muista venytellä harjoittelun lopuksi.
- Laite on sopiva vain sisäkäyttöön. Laite ei ole sopiva ulkokäyttöön.
- Käytä laitetta riittävällä tuuletuksella varustetuissa tiloissa. Älä käytä laitetta vetoisissa tiloissa välttääksesi kylmettymisen.
- Käytä laitetta vain ympäristölämpötilassa 10 °C - 35 °C. Säilytä laitetta vain ympäristölämpötilassa 5 °C - 45 °C.
- Älä käytä tai säilytä laitetta kosteissa tiloissa. Ilmankosteus ei saa koskaan olla yli 80 %.
- Käytä laitetta vain sen aiottuun tarkoitukseen. Älä käytä laitetta muihin, kuin tässä käyttöoppaassa esitettyihin tarkoituksiin.
- Älä käytä laitetta, jos sen jokin osa on vaurioitunut tai viallinen. Jos osa on vaurioitunut tai viallinen, ota yhteys jälleenmyyjään.
- Pidä kätesi, jalkasi ja kehon muut osat pois liikkuvista osista.
- Pidä hiuksesi pois liikkuvista osista.
- Käytä asianmukaista vaatetusta ja kenkiä.
- Pidä vaatteet, korut ja muut esineet pois liikkuvista osista.
- Varmista, että vain yksi henkilö kerrallaan käyttää laitetta. Yli 120 kg (265 lbs) ainava henkilö ei saa käyttää laitetta.
- Älä avaa laitetta ilman yhteydenottoa jälleenmyyjäsi.

## Kokoamisohjeet

### Kuvaus (kuva A)

Soutulaitteesi on paikallaan pysyvä kuntoilulaite, jota käytetään simuloimaan soutua ilman liiallista rasitusta niveliin.

### Pakkauksen sisältö (kuva. B & C)

- Pakkaus sisältää kuvassa B näytetyt osat.
- Pakkaus sisältää kuvassa C näytetyt kiinnittimet. Katso "Kuvaus"-osiota.

### 🔧 ILMOITUS

- Jos osa puuttuu, ota yhteys jälleenmyyjään.

### Kokoonpano (kuva. D)

#### ⚠ VAROITUS

- Kokoonpane laite esitettyssä järjestyksessä.
- Vähintään kahden henkilön on kannettava ja siirrettävä laitetta.

### ⚠ HUOMAUTUS

- Sijoita laite kovalle, tasaiselle alustalle.
- Asettakaa laite suojalustalle lattiapinnan vaurioiden estämiseksi.
- Varaa vähintään 100 cm tilaa laitteen ympärille.

- Katso piirroksesta laitteen oikea asennus.

### 🔧 ILMOITUS

- Kun olet suorittanut asennuksen loppuun, pane tämän tuotteen mukana toimitetut työkalut talteen tulevia huoltotöitä varten.

## Harjoitukset

Harjoituksen on oltava sopivan kevyt, mutta pitkäkestoinen. Aerobic-harjoitus perustuu kehon maksimi hapenottokyvyn parantamiseen, mikä puolestaan parantaa kestävyyttä ja kuntotasoa. Harjoituksen aikana sinun tulisi hikoilla, mutta sinun ei tulisi hengästyä. Harjoittele vähintään kolme kertaa viikossa 30 minuuttia peruskuntotason saavuttamiseksi ja ylläpitämiseksi. Paranna kuntotasoasi lisäämällä harjoituskertojen määrää. On hyödyllistä yhdistää säännöllinen harjoitus terveelliseen dieettiin. Dieettiin sitoutuneen henkilön tulisi harjoitella päivittäin, ensi alkuun korkeintaan 30 minuuttia ja vähitellen lisäten päivittäinen harjoitusaika yhteen tuntiin. Aloita harjoituksesi hitaalla nopeudella ja pienellä vastuksella estääksesi liiallisen rasituksen sydän-verisuonijärjestelmään. Nopeutta ja vastusta voidaan vähitellen lisätä kuntotason parantuessa. Harjoituksesi tehokkuus voidaan mitata seuraamalla sydämesi lyöntinopeutta ja pulssisi nopeutta. Lisää nopeutta ja vastusta vähitellen oman kuntosi mukaan. Pidä pää pystyssä ja kaula suorana välttääksesi stressiä kaulassa, hartioissa ja selässä. Pidä selkäsi suorana. Varmista, että jalkasi ovat keskellä polkimia ja että lantio, polvet, nilkat ja varpaat ovat suoraan eteenpäin. Pidä painosi alaruumiin yläpuolella, huolimatta siitä, nojaatko eteenpäin vai seisotko suorana. Lopeta harjoitusjaksoi vähentämällä nopeutta ja vastusta vähitellen. Muista venyttellä harjoittelun loppuksi.

### Ohjeita harjoittelua varten

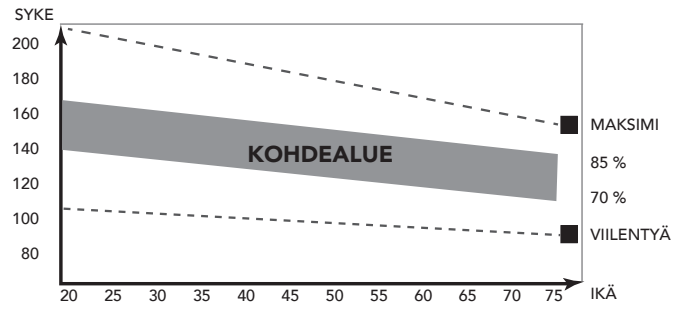
Kuntolaitteen käyttö tarjoaa monia etuja: se parantaa fyysistä kuntoa, kiinteyttää lihaksia ja hallittuun ruokavalion yhdistettynä se auttaa myös pudottamaan painoa.

#### Lämmittelyvaihe

Tämän vaiheen tarkoituksena on saada veri virtaamaan nopeammin ympäri kehoa ja panna lihakset tekemään työtä. Lämmittely vähentää myös kramppien ja lihasvammojen riskiä. Suosittelemme, että teet muutaman venyttelyharjoituksen alla olevan kuvan mukaisesti. Jokaisen venytyksen tulisi kestää noin 30 sekuntia. Älä tee venytyksiä väkisin tai nykäisten - jos tunnet kipua, LOPETA.

#### Harjoitteluvaihe

Tämä on se vaihe, jossa ponnistelet. Säännöllisen harjoittelun tuloksena jalkojesi lihakset tulevat joustavammiksi. Tässä vaiheessa on hyvin tärkeää ylläpitää tasaista nopeutta koko ajan. Rasituksen tulisi olla riittävän suuri, jotta sykkeesi nousee tavoitealueelle alla olevan kaavion mukaisesti



Tämän vaiheen tulisi kestää vähintään 12 minuuttia, mutta useimmilla aloittelijoilla se on noin 15-20 minuuttia.

#### Jäähdyttelyvaihe

Tämän vaiheen tarkoituksena on antaa verenkiertojärjestelmäksi ja lihaksiesi palautua. Jäähdyttelyssä toistetaan lämmittelyvaiheen harjoitukset vähentämällä ensin nopeutta ja jatkamalla tällä nopeudella noin 5 minuuttia. Toista sitten venyttelyharjoitukset pitäen mielessä, että venytyksiä ei saa tehdä väkisin tai nykäisten. Kun kuntosi nousee, voit tarvita pidempiä ja raskaampia harjoituksia. On suositeltavaa treenata vähintään kolme kertaa viikossa, ja harjoittelut olisi hyvä jakaa tasaisesti viikon varrelle.

#### Lihasten kiinteytys

Jos tavoitteenasi on lihasten kiinteytys, sinun pitää asettaa vastus suureksi. Silloin jalkojesi lihakset rasittuvat enemmän, etkä ehkä pysty treenaamaan niin pitkään kuin haluaisit. Jos tavoitteenasi on myös kunnan kohentaminen, sinun pitää muuttaa harjoitteluohjelmaasi. Harjoittele lämmittely- ja jäähdyttelyvaiheissa normaalisti, mutta lisää vastusta harjoitteluvaiheissa, jotta jalkasi joutuvat tekemään enemmän työtä. Vähennä tarvittaessa nopeutta, jotta sykkeesi pysyy tavoitealueella.

#### Painon pudotus

Ratkaisevaa on se, miten rasittavaa harjoittelu on. Mitä enemmän ja mitä pidempään harjoittelet, sitä enemmän poltat kaloreita. Vaikutus on sama kuin jos harjoittelisit kunnan kohentamiseksi, vaikka tavoite on nyt toinen.

### Syke

#### Sykkeen mittaus (sykevyö)

##### 🔧 ILMOITUS

- Tämän laitteen vakiotoimitukseen ei sisälly sykevyötä. Jos haluat käyttää langatonta sykevyötä, sinun on ostettava se erikseen.

Tarkin sydämen lyöntinopeus saadaan sykevyöllä. Sykemittaus tapahtuu käyttöliittymän sykevastaanottimen ja sykevyön lähettimen avulla. Tarkka sydänmittaus edellyttää lähetyksen elektrodien olevan hieman kosteita ja jatkuvassa kosketuksessa ihoon. Jos elektrodit ovat liian kuivia tai liian kosteita, sykkeen mittaus voi olla epätarkempi.

##### ⚠ VAROITUS

- Jos sinulla on sydäntahdistin, ota yhteys lääkäriin ennen sykevyön käyttöä.

##### ⚠ HUOMAUTUS

- Jos useita sykemittauslaitteita on vierekkäin, varmista, että niiden keskinäinen etäisyys on vähintään 2 metriä.

- Varmistu, että laitteen sykevastaanottimen ja sykeyyön lähettimen kantomatkan sisällä ei ole muita lähettämiä, jotka voisivat aiheuttaa häiriöitä mittauksessa.

## ⚠ ILMOITUS

- Pidä aina sykeyyötä vaatteittesi alla suorassa kosketuksessa ihoosi. Älä pidä sykeyyötä vaatteittesi päällä. Jos pidät sykeyyötä vaatteittesi päällä, signaalia ei ole.
- Jos asetat rajan sydämen lyöntinopeudelle, rajan ylittyessä kuuluu äänihälytys.
- Lähetin lähettää sykkeen korkeintaan 1,5 metrin etäisyydellä olevaan ohjauspaneeliin. Jos elektrodit eivät ole kosteita, sydämen lyöntinopeus ei tule näytölle.
- Jotkin vaatteiden kuidut (esim. polyesteri, polyamidi) synnyttävät staattista sähköä, mikä voi estää tarkan sydämen lyöntinopeuden mittauksen.
- Matkapuhelimet, televisiot ja muut sähkölaitteet luovat sähkömagneettisen kentän, joka voi estää tarkan sydämen lyöntinopeuden mittauksen.

## Suurin sallittu sydämen lyöntinopeus (harjoituksen aikana)

Suurin sallittu sydämen lyöntinopeus on suurin lyöntinopeus, jonka henkilö voi turvallisesti saavuttaa harjoituksen rasituksella. Seuraavaa kaavaa käytetään laskemaan keskimääräinen suurin sallittu sydämen lyöntinopeus: 220 - IKÄ. Suurin sallittu sydämen lyöntinopeus vaihtelee henkilöstä toiseen.

## ⚠ VAROITUS

- Varmista, ettet ylitä sydämesi suurinta sallittua lyöntinopeutta harjoituksen aikana. Jos kuulut riskiryhmään, ota yhteys lääkäriin.

## Aloittelija

### 50-60% suurimmasta sallitusta sydämen lyöntinopeudesta

Sopiva aloittelijoille, painonvartijoille, toipilaille, ja henkilöille, jotka eivät ole harjoitelleet pitkään aikaan. Harjoittele vähintään kolme kertaa viikossa, 30 minuuttia kerrallaan.

## Edistynyt

### 60-70% suurimmasta allitusta sydämen lyöntinopeudesta

Sopiva henkilöille, jotka haluavat parantaa ja ylläpitää kuntoaan. Harjoittele vähintään kolme kertaa viikossa, 30 minuuttia kerrallaan..

## Ekspertti

### 70-80 % suurimmasta sallitusta sydämen lyöntinopeudesta

Sopiva kunnoltaan erittäin hyvälle henkilöille, jotka ovat tottuneet pitkäkestoisiiin harjoituksiin.

## Käyttö

### Tukijalkojen säätäminen

Laitte on varustettu 2 tukijalalla. Tukijalkoja voidaan säätää, jos laite ei ole vakaa.

- Käännä tukijalkoja tarpeen mukaan, jotta laite on vakaasti lattialla.
- Lukitse tukijalat kiristämällä lukkomutterit.

## ⚠ ILMOITUS

- Laitte on vakain, kun kaikki tukijalat on kierretty täysin sisään. Tämän vuoksi, aloita laitteen säätäminen vaakasuooraan kiertämällä kaikki tukijalat ensin täysin sisään, ennen kuin kierrät tarvittavia jalkoja ulospäin laitteen saamiseksi vakaaksi.

## Vastuksen säätäminen

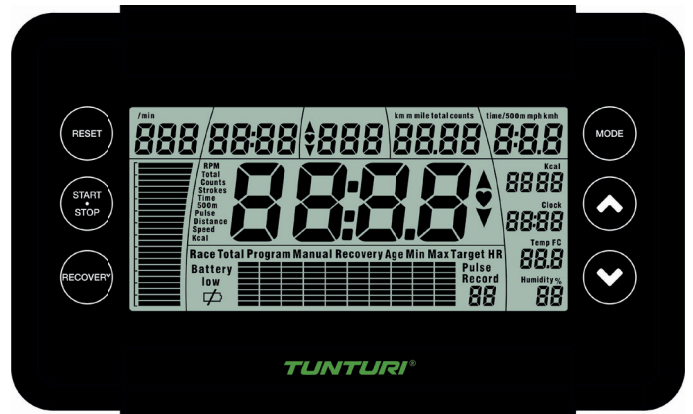
Kasvattaaksesi tai pienentääksesi vastusta, käännä putken säätönupista. Myötäpäivään kääntämällä (+) lisää vastusta ja vastapäivään (-) kääntämällä pienennät vastusta.

Nupin yläpuolella oleva asteikko (1-8) auttaa sopivan vastuksen asettamisessa.

## Kellon asettaminen

- Nollaa mittari painamalla ja pitämällä painettuna MODE-painiketta ja RESET-painiketta 2 sekuntia.
- Aseta kello painamalla UP-painiketta tai DOWN-painiketta.

## Ohjauspaneeli (kuva F)



## ⚠ HUOMAUTUS

- Pidä ohjauspaneeli pois suorasta auringonvalosta.
- Kuivaa ohjauspaneelin pinta, jos siihen on tippunut hikeä.
- Älä nojaa ohjauspaneeliin.
- Kosketa näyttöä vain sormenpäälläsi. Älä kosketa näyttöä kynsilläsi tai terävillä esineillä.

## ⚠ ILMOITUS

- Ohjauspaneeli siirtyy valmiustilaan, kun laitetta ei ole käytetty 4 minuuttiin.

## Painikkeiden merkitykset

### Mode

Vahvista valintasi painamalla tätä painiketta.

### Start/ Stop

Käynnistä harjoitus painamalla painiketta.

Keskeytä harjoitus (korkeintaan 5 minuutiksi) painamalla painiketta uudestaan.

Jatka harjoitusta painamalla painiketta uudelleen. Lopeta harjoitus painamalla ja pitäen painiketta painettuna.

### Recovery

Paina tätä painiketta laskeaksesi sydämesi palautumisnopeus harjoituksen jälkeen.

### Reset

Palaa valikkoon painamalla tätä painiketta.

Nollaa mittari painamalla ja pitäen painiketta painettuna.



**Up**

Tavoitearvojen asetus.

**Down**

Tavoitearvojen asetus.

**Näyttöaiheiden merkitykset****Strokes (Vetot)**

Vetoa minuutissa numeroarvona (/min) ja graafisena esityksenä (palkit).

**Time (Aika)**

Harjoituksen kesto aika (hh:mm ja mm:ss).

**Pulse (Pulssi)**

Sydämen lyöntinopeuden raja (bpm) harjoituksen aikana. Sydänsymboli vilkkuu samanaikaisesti sydämesi lyöntinopeuden kanssa. Nuolisymboli tulee näkyviin sydämesi lyöntinopeuden noustessa yli tai laskiessa alle asetettujen sydämen lyöntinopeuden rajojen.

**Distance (Matka)**

Harjoituksen matka (km).

**Speed/ RPM (Nopeus/ RPM)**

Harjoituksen nopeus (km/h tai mph) tai RPM (kierr./ min).

**Calories (Kalorit)**

Harjoituksen energiankulutus (kcal).

**⚠ HUOM**

- Nämä tiedot ovat karkeita ohjeita erilaisten harjoittelujen vertailua varten, eikä niitä voida käyttää lääketieteellisen hoidon pohjana.

**Clock (Kello)**

Reaaliaikainen kello.

**Temperature (Lämpötila)**

Huoneen lämpötila (°C)

**Humidity (Kosteus)**

Huoneen kosteus (%).

**Harjoitusarvo**

Valittu harjoitusarvo..

**Harjoitusprofiili**

Valittu harjoitusprofiili.

**Kumulatiivinen sydämen lyöntinopeus**

Sydämen lyöntinopeuden profiili harjoituksen aikana.

**Paristo lähes tyhjä varoitus**

Varoitusmerkki paristojen vaihtamista varten.

**Toiminta****Laitteen kytkeminen päälle**

- Voit aktivoida virransäätötilassa olevan konsolin painamalla mitä tahansa näppäintä.

**Ennen käyttöä**

- Valitse aihe painamalla UP-painiketta tai DOWN-painiketta.
- Vahvasta painamalla MODE-painiketta.
- Muuta valitun aiheen arvo painamalla UP-painiketta tai DOWN-painiketta.
- Vahvasta painamalla MODE-painiketta.

**Käytön aikana**

Valikko näyttää jatkuvasti valikon aiheiden arvot. Eri arvot tulevat näytölle peräkkäin 6 sekunnin välein.

- Pysäytä automaattinen valikon eri aiheiden arvojen skannaus painamalla MODE-painiketta.
- Katso valikon tietyn aiheen tiedot painamalla MODE-painiketta riittävän monta kertaa.
- Muuta vastusta kääntämällä vastuksen säätönuppia.

**⚠ ILMOITUS**

- Jos asetat tavoitearvot, saavuttaessasi ensimmäisen tavoitearvon annetaan äänihälytys ja harjoitus pysäytetään automaattisesti.

**Programs****Manuaalinen ohjelma**

- Aseta aika painamalla UP-painiketta tai DOWN-painiketta. Vahvasta painamalla MODE-painiketta.
- Aseta matka painamalla UP-painiketta tai DOWN-painiketta. Vahvasta painamalla MODE-painiketta.
- Aseta energiankulutus painamalla UP-painiketta tai DOWN-painiketta. Vahvasta painamalla MODE-painiketta.
- Aseta sydämen lyöntinopeuden raja painamalla UP-painiketta tai DOWN-painiketta. Vahvasta painamalla MODE-painiketta.
- Käynnistä harjoitus painamalla START/STOP-painiketta. Jos olet asettanut tavoitearvoja, arvot alkavat laskea alaspäin.

**Recovery****PALAUTUSSYKKEEN MITTAUS**

Mittaa palautussykkeesi harjoituksen päätteeksi.

- RECOVERY-näppäin toimii vain, jos konsoli havaitsee sykkeen signaalin.
- Palautussykkeen mittaukseen siirryt painamalla RECOVERY-näppäintä. Näyttöön tulee teksti Recovery.
- Mittaus alkaa automaattisesti ja kestää kaksi minuuttia.
- Mittausjakson päätteeksi näyttöön ilmestyy sykkeen palautumissuhde prosenttilukuna. Mitä pienempi lukema on, sitä paremmassa kunnossa olet. Huomaa, että tuloksesi on suhteessa mittauksen alkuketken syketasoon, ja että tuloksesi on henkilökohtainen, eikä suoraan verrattavissa muiden tuloksiin. Palautussykkeen mittauksen luotettavuuden parantamiseksi pyri aina vakioimaan mittaustapahtuma mahdollisimman tarkasti; aloita mittaus mahdollisimman tarkasti samalta syketasolta. Pysy mahdollisimman liikkumatta paikallasi koko mittauksen ajan.
- Palautussykemittauksesta siirryt takaisin yleisnäyttöön painamalla RESET-painiketta; mittari siirtyy yleisnäyttöön automaattisesti minuutin kuluttua mittauksen päättymisestä.

**⚠ HUOM**

- Kun palautumistulos näyttää negatiivisen luvun, se tarkoittaa, että sykesi mittauksen lopussa oli korkeampi kuin alussa.

- ERR näkyy, kun sykettä ei ole havaittu.

## Puhdistus ja huolto

Laite ei vaadi erityishuoltoa. Laite ei vaadi uudelleenkalibrointia kokoonpanon, käytön ja ohjeiden mukaan suoritetun huollon jälkeen.

### ⚠ VAROITUS

- Irrota adapteri ennen puhdistusta ja huoltoa.
  - Älä käytä liuottimia laitteen puhdistukseen.
- Puhdista laite pehmeällä, imukykyisellä kankaalla jokaisen käytön jälkeen.
  - Tarkista säännöllisesti kaikkien ruuvien ja mutterien olevan tiukasti kiinni.
  - Voitele nivelet tarvittaessa.

## Voitelu (kuva G)

Laite on voideltava säännöllisesti, mutta vain tarpeen mukaan.

- Lisää tarvittaessa hieman voiteluainetta näytetyn mukaisesti.

## Paristojen vaihto

Ohjauspaneeli on varustettu 2:llä AA-paristolla ohjauspaneelin takaosassa.

- Poista kansi.
- Poista vanhat paristot.
- Laita uudet paristot paikalleen. Varmista paristojen olevan asennettu (+) ja (-) napaisuusmerkintöjen mukaisesti.
- Asenna kansi paikalleen.

## Viat ja häiriöt

Huolimatta jatkuvasti laadunvarmistuksesta laitteessa voi tapahtua yksittäisen osan aiheuttamia vikoja ja häiriöitä. Useimmissa tapauksissa viallisen osan vaihtaminen on riittävää

- Jos laite ei toimi normaalisti, ota välittömästi yhteys jälleenmyyjään.
- Anna jälleenmyyjälle laitteen malli- ja sarjanumero. Kerro ongelman luonne, käyttöolosuhteet ja ostopäivä.

### Vianmääritys:

- Nestekidenäytön himmeys on osoitus siitä, että paristot pitää vaihtaa. Jos konsoli ei vastaanota signaalia polkemisen aikana, tarkista että johto on liitetty kunnolla.

### ⚠ HUOM

- Kun keskeytät harjoittelun 4 minuutiksi, päänäyttö kytkeytyy pois päältä.
- Jos tietojen esitys näytössä on epätavallista, asenna paristot uudestaan ja katso onko ongelma poistunut.

## Kuljetus ja säilytys

### ⚠ VAROITUS

- Irrota adapteri ennen kuljetusta ja varastointia.
- Vähintään kahden henkilön on kannettava ja siirrettävä laitetta.

- Seisokaa laitteen edessä sen kummallakin puolella ja tarttukaa tiukasti kiinni käsitangoista. Nostakaa laitetta siten, että laitteen takapää on pyöriällä. Siirtäkää laite ja laskekaa se varovasti alas. Asettakaa laite suojajalustalle lattiapinnan vaurioiden estämiseksi.
- Siirrä laitetta varovasti epätasaisilla pinnoilla. Älä siirrä laitetta yläkertaan pyöriä käyttäen. Suorita siirto kahvatuista kantaen.
- Säilytä laitetta kuivassa, mahdollisimman tasalämpötilaisessa paikassa.

## Lisätietoa laitteen omistajalle

### Pakkauksen hävittäminen

Lainsäädäntö ohjeistaa meitä vähentämään kaatopaikoille toimitetun jätteen määrää. Sen vuoksi pyydämme sinua toimittamaan kaikki pakkausjätteet sitä varten tarkoitettuun kierrätyspisteeseen.

### Laitteen hävittäminen käyttöiän päättyessä

Me Tunturilla toivomme, että iloitset kuntolaitteestasi vuosia. Jokainen kuntolaite tulee kuitenkin aikanaan oman käyttöikänsä loppuun. Kotitalouksien sähkö- ja elektroniikkalaiteromua käsittelevien eurooppalaisten määräysten (WEEE) mukaan sinun kuuluu toimittaa kuntolaitteesi sitä varten tarkoitettuun keräyspaikkaan.

## Tekniset tiedot

| Parametri                       | Mittayksikkö | Arvo       |
|---------------------------------|--------------|------------|
| Pituus                          | cm<br>inch   | 201<br>79  |
| Leveys                          | cm<br>inch   | 54<br>21   |
| Korkeus                         | cm<br>inch   | 80<br>31   |
| Paino                           | kg<br>lbs    | 31,6<br>70 |
| Suurin sallittu käyttäjän paino | kg<br>lbs    | 120<br>265 |
| Paristokoko                     |              | AA         |

## Takuu

### Tunturi-kuntolaitteen omistajan takuu

#### Takuuehdot

Kuluttajalla on sovellettavan kulutustavaroiden kauppaa koskevan kansallisen lainsäädännön mukaiset lailliset oikeudet, eikä takuulla rajoiteta näitä oikeuksia. Omistajan Takuu on voimassa vain, mikäli laitetta käytetään Tunturi New Fitness BV:n kyseiselle laitteelle sallimassa käyttöympäristössä. Kunkin laitteen sallittu käyttöympäristö mainitaan laitteen käyttöohjeessa.

#### Takuuehdot

Takuuehdot tulevat voimaan tuotteen ostopäivästä lukien. Takuuehdot voivat olla erilaiset eri maissa, joten pyydä takuuehdot paikalliselta jälleenmyyjältä.

### **Takuun kattavuus**

Missään olosuhteissa Tunturi New Fitness BV tai Tunturi-jälleenmyyjä ei vastaa ostajalle mahdollisesti aiheutuvista välillisistä vahingoista, kuten käyttöhyödyn tai tulojen menetyksestä taikka muista taloudellisista seurausvahingoista.

### **Takuun rajoitukset**

Takuu kattaa työstä ja materiaalista johtuvat virheet kuntolaitteessa, joka on alkuperäisessä kokoonpanossaan.

Takuu koskee vain virheitä, jotka ilmenevät normaalissa ja laitteen mukana tulleen ohjekirjan mukaisessa käytössä edellyttäen, että Tunturin asennus-, huolto- ja käyttöohjeita on noudatettu. Tunturi New Fitness BV:n ja Tunturin jälleenmyyjät eivät vastaa virheistä, jotka aiheutuvat heidän vaikutusmahdollisuuksiensa ulkopuolella olevista seikoista. Takuu on voimassa vain niissä maissa, joissa Tunturi New Fitness BV:llä on valtuutettu maahantuojia. Takuu ei koske sellaisia kuntolaitteita tai osia, joita on muutettu ilman Tunturi New Fitness BV:n suostumusta. Takuu ei koske virheitä, jotka johtuvat luonnollisesta kulumisesta, virheellisestä käytöstä, käytöstä olosuhteissa, joihin kuntolaitetta ei ole tarkoitettu, korroosiosta tai lastaus- tai kuljetusvahingoista.

Takuu ei koske käyttöäniä, jotka eivät olennaisesti haittaa laitteen käyttöä eivätkä johdu laitteessa olevasta virheestä.

Takuu ei myöskään sisällä kunnossapitotoimenpiteitä, kuten puhdistusta, voitelua tai sen osien normaalia tarkistamista, eikä sellaisia asennustoimenpiteitä, jotka asiakas voi suorittaa itse ja jotka eivät edellytä erityistä kuntolaitteen purkamista / kokeamista. Tällaisia toimenpiteitä ovat esim. mittareiden, polkimien tai muiden vastaavien yksinkertaisten osien vaihdot. Muun kuin valtuutetun Tunturi-edustajan suorittamia takuukorjauksia ei korvata. Laitteen käyttöohjeen noudattamatta jättäminen aiheuttaa takuun raukeamisen.

## **Valmistajan vakuutus**

---

Tunturi New Fitness BV vakuuttaa tuotteen täyttävän seuraavien standardien ja direktiivien vaatimukset: EN 957 (HB), 89/336/ETY. Tässä tuotteessa on sen vuoksi CE-merkki..

01-2017

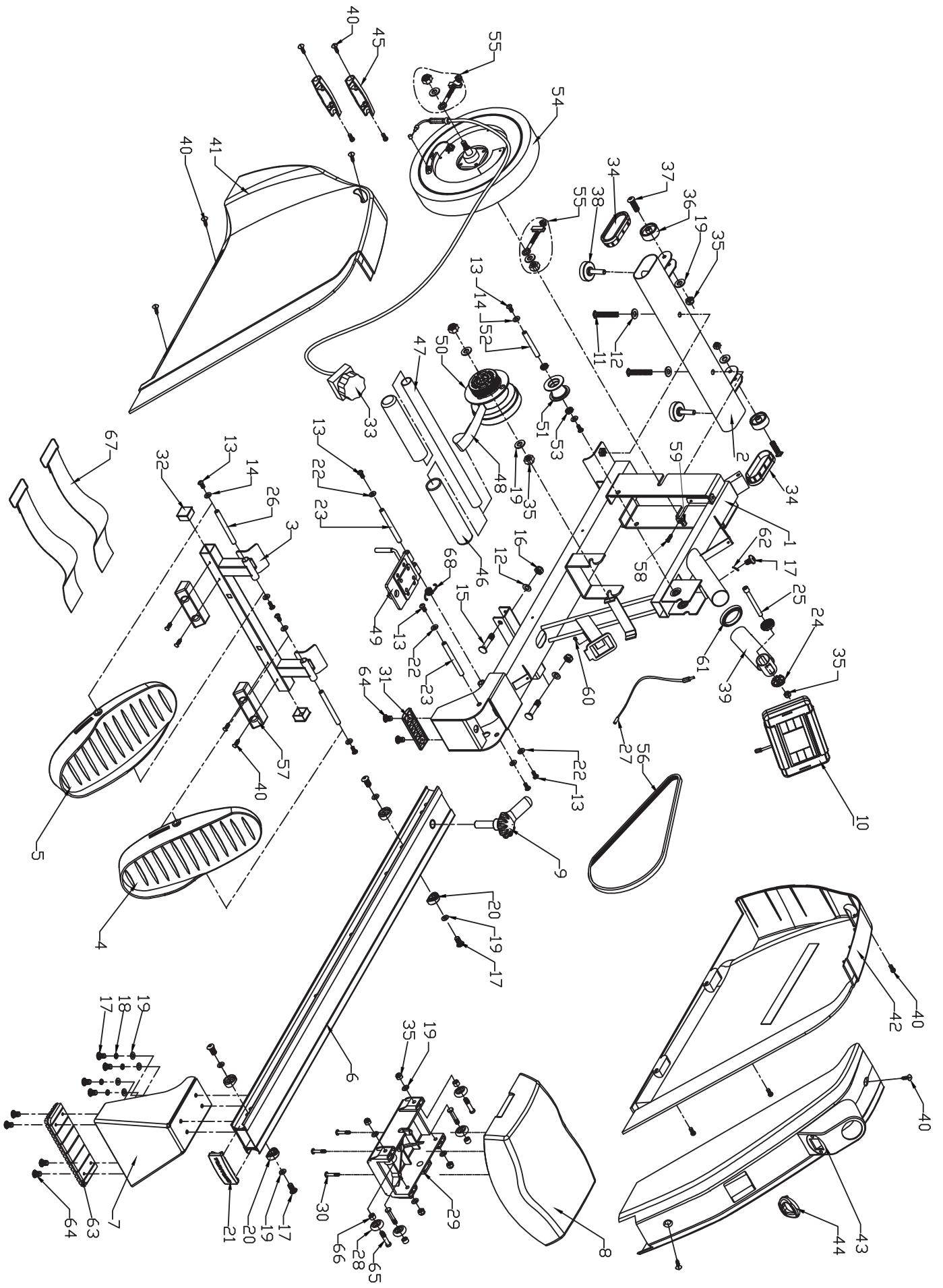
Tunturi New Fitness BV  
Purmerweg 1  
1311 XE Almere  
Alankomaat

## **Vastuuvapauslauseke**

---

© 2017 Tunturi New Fitness BV  
Kaikki oikeudet pidätetään.

Tuote ja käyttöopas saattavat muuttua. Teknisiä tietoja saatetaan muuttaa ilman eri ilmoitusta.



| Buble | Description               | Size                     | Qty |
|-------|---------------------------|--------------------------|-----|
| 1     | Frame                     |                          | 1   |
| 2     | Front foot                |                          | 1   |
| 3     | Pedal support             |                          | 1   |
| 4     | Right pedal               |                          | 1   |
| 5     | Left pedal                |                          | 1   |
| 6     | Rail tube                 |                          | 1   |
| 7     | Rear foot                 |                          | 1   |
| 8     | Seat                      |                          | 1   |
| 9     | Locking knob              |                          | 1   |
| 10    | User interface            |                          | 1   |
| 11    | Hex head screw            | M10*55                   | 2   |
| 12    | Washer                    | M10 Ø10.5*<br>Ø25*T1.5   | 4   |
| 13    | Hex head screw            | ISO 7380 M6*15           | 10  |
| 14    | Washer                    | M6 Ø6.5*Ø20*<br>T1.5T1.5 | 6   |
| 15    | Bolt                      | M10*50                   | 2   |
| 16    | Nylock nut                | M10                      | 2   |
| 17    | Hex head screw            | M8*20                    | 9   |
| 18    | Spring washer             | M8 Ø8                    | 4   |
| 19    | Washer                    | M8 Ø8.5* Ø16*T1.5        | 16  |
| 20    | Stopper                   |                          | 4   |
| 21    | End cap                   |                          | 1   |
| 22    | Washer                    | M6Ø6.5* Ø16*T1.5T        | 5   |
| 23    | Axle                      | Ø10*102.5                | 2   |
| 24    | cap                       |                          | 1   |
| 25    | Hexagon socket cap screws | M8*80                    | 1   |
| 26    | Axle                      | Ø13*156                  | 2   |
| 27    | Sensor wire               |                          | 1   |
| 28    | Seat roller               |                          | 4   |
| 29    | Seat frame                |                          | 1   |
| 30    | Bolt                      | M6*40                    | 3   |
| 31    | Middle rubber foot        |                          | 1   |
| 32    | End cap                   |                          | 2   |
| 33    | Tension controller        |                          | 1   |
| 34    | Cap, foot tube            |                          | 1   |
| 35    | Nylon nut                 | M8                       | 9   |
| 36    | Transport wheel           |                          | 2   |
| 37    | Hex head screw            | M8*40                    | 2   |
| 38    | Height Adjustment screw   |                          | 2   |
| 39    | Console bracket           |                          | 1   |
| 40    | Screw                     | M5*15                    | 16  |
| 41    | Side cover(Left)          |                          | 1   |
| 42    | Side cover(Right)         |                          | 1   |
| 43    | Top cover                 |                          | 1   |
| 44    | Handle bar stopper        |                          | 1   |
| 45    | Screw cover               |                          | 2   |
| 46    | Handle bar grip           |                          | 2   |
| 47    | Handle bar                |                          | 1   |
| 48    | Rope                      |                          | 1   |

|    |                   |                 |   |
|----|-------------------|-----------------|---|
| 49 | Locking plate     |                 | 1 |
| 50 | Spring assembly   |                 | 1 |
| 51 | Rope pulley       |                 | 1 |
| 52 | Axle              | Ø10*41          | 4 |
| 53 | Bearing           | 6000Z           | 2 |
| 54 | Flywheel          |                 | 1 |
| 55 | Flywheel adjuster |                 | 2 |
| 56 | Belt              |                 | 1 |
| 57 | Pedal stopper     |                 | 2 |
| 58 | Screw             | M5*10           | 1 |
| 59 | Bracket           |                 | 1 |
| 60 | Bolt              | M5*25           | 1 |
| 61 | Rubber ring       |                 | 1 |
| 62 | Arc washer        | Ø16*Ø8.5* T1.5  | 1 |
| 63 | Rear rubber foot  |                 | 1 |
| 64 | Bolt              | M5*10           | 6 |
| 65 | Axle              | Ø18*11* Ø12*5.8 | 4 |
| 66 | Rataining ring    | 8mm             | 4 |
| 67 | Foot strap        |                 | 2 |
| 68 | Spring            | Ø3*Ø16.5* 16.0  | 1 |
| 69 | Pedal stopper     |                 | 2 |
|    | Wrench            | L6              | 1 |
|    | Wrench            | L6              | 1 |
|    | Wrench            | L13-L17         | 1 |
|    | Wrench            | L4              | 2 |
|    |                   |                 |   |
|    |                   |                 |   |







## **Tunturi New Fitness BV**

Purmerweg 1 NL - 1311 XE Almere  
P.O. Box 60001 NL - 1320 AA Almere  
The Netherlands

[www.tunturi.com](http://www.tunturi.com)  
[info@tunturi.com](mailto:info@tunturi.com)

