

# TUNTURI®

## WB40 Compact Width Weight Bench

GB	User manual	09 - 13
DE	Benutzerhandbuch	14 - 18
FR	Manuel de l'utilisateur	19 - 23
NL	Gebruikershandleiding	24 - 28
IT	Manuale d'uso	29 - 33
ES	Manual del usuario	34 - 39
SV	Bruksanvisning	40 - 44
SU	Käyttöohje	45 - 49

<b>TUNTURI®</b>	
<b>WB40 Compact width weight bench</b>	
ITEM NUMBER	: 17T5CT4000
MAX LOAD WEIGHT	: 150 kg/ 330 lbs
HOME USE	Made in China
Serial number:	

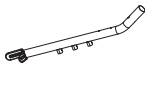
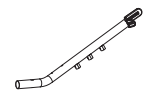
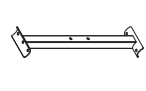


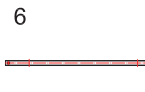
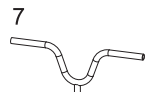


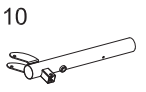
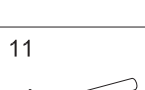





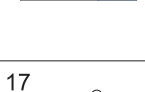
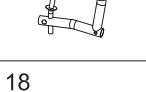
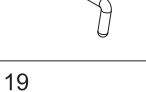






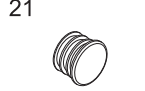
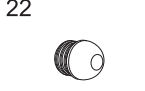








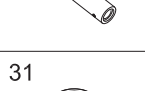


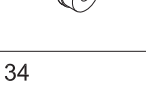
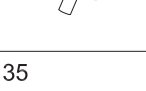
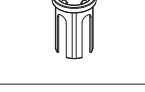
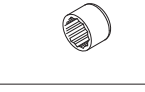
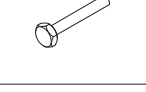
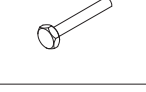
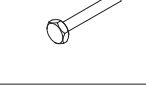
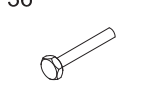
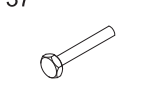
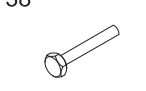



### Attention, Achtung, Attention, Attentie, Attenzione, Atención, Giv akt, Huomio

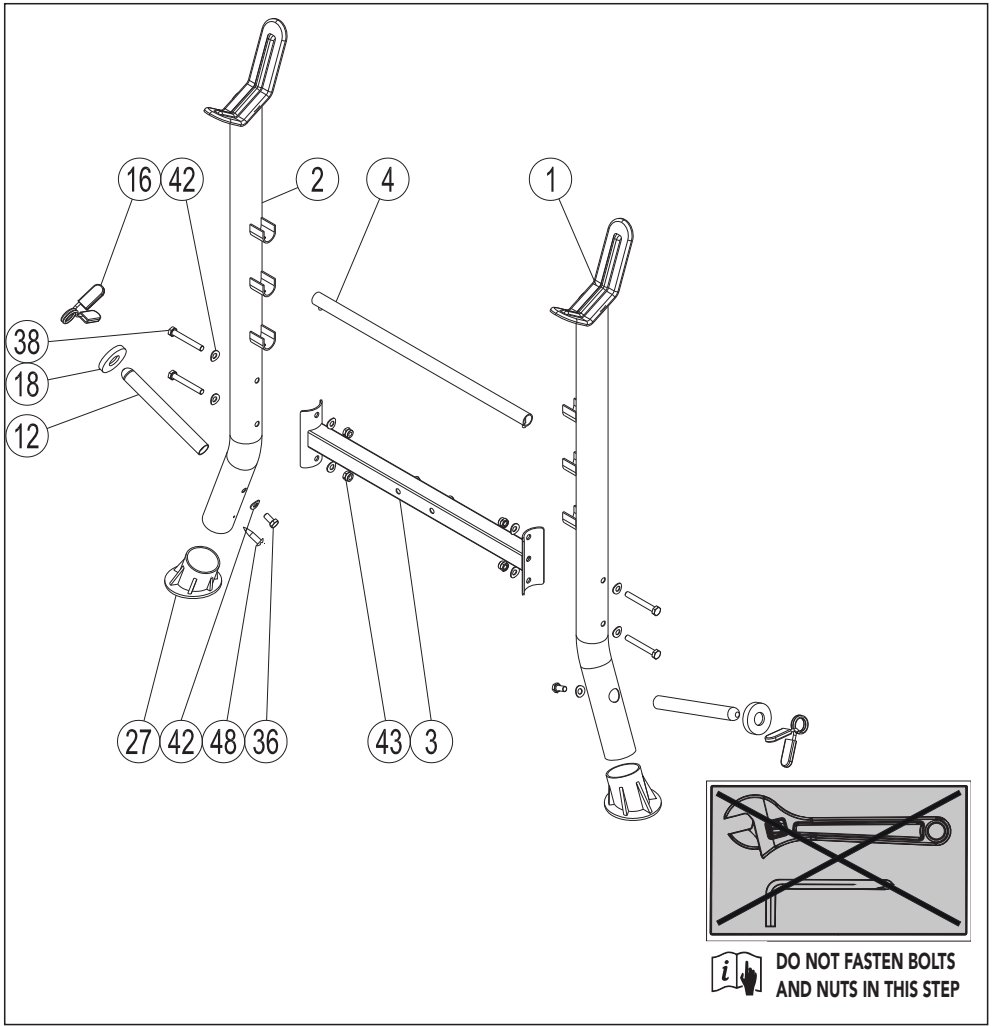
- Please read this Owner's manual before assembling this product.
- Bitte lesen Sie dieses Handbuch durch, bevor Sie mit er Montage dieses Produkts beginnen.
- Veuillez lire ce manuel avant de commencer le montage de ce produit.
- Leest u deze handleiding voordat u dit apparaat installeert.
- Leggere questo manuale prima di assemblare questo prodotto.
- Lea este manual antes de montar este producto.
- Läs bruksanvisningen innan du monterar denna produkt.
- Lue tämä käsikirja ennen kokoamista tuotetta.



## A #0

1 	2 	3 	4 	5 
6 	7 	8 	9 	10 
11 	12 	13 	14 	15 
16 	17 	18 	19 	20 
21 	22 	23 	24 	25 
26 	27 	28 	29 	30 
31 	32 	33 	34 	35 
36 	37 	38 	39 	40 
41 	42 	43 	44 	45 
46 	47 	48 	49 	

A #1

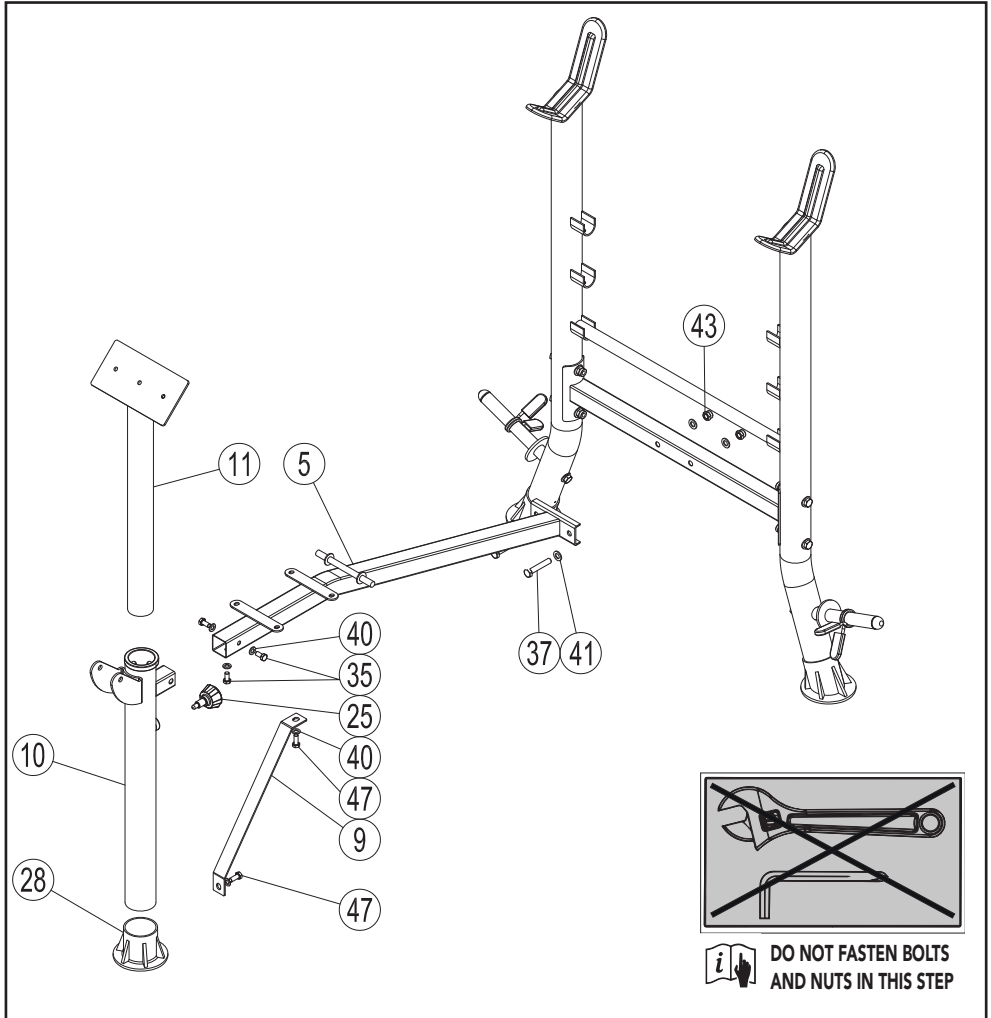


1#		Qty:1
2#		Qty:1
3#		Qty:1
4#		Qty:1

12#		Qty:2
16#		Qty:2
18#		Qty:2
27#		Qty:2

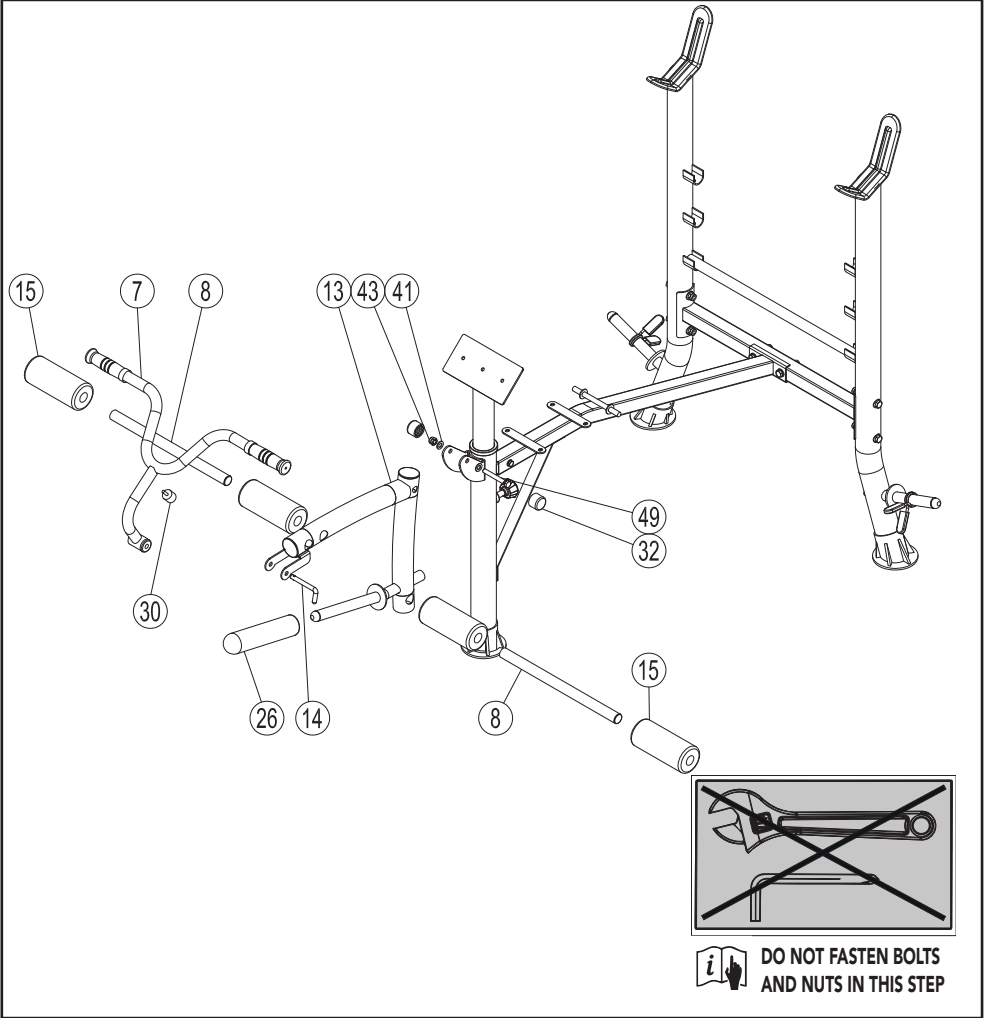
36#		M10*20	Qty:2
38#		M10*75	Qty:4
42#		10	Qty:10
43#		M10	Qty:4
48#		ST4.2*20	Qty:2

## A #2



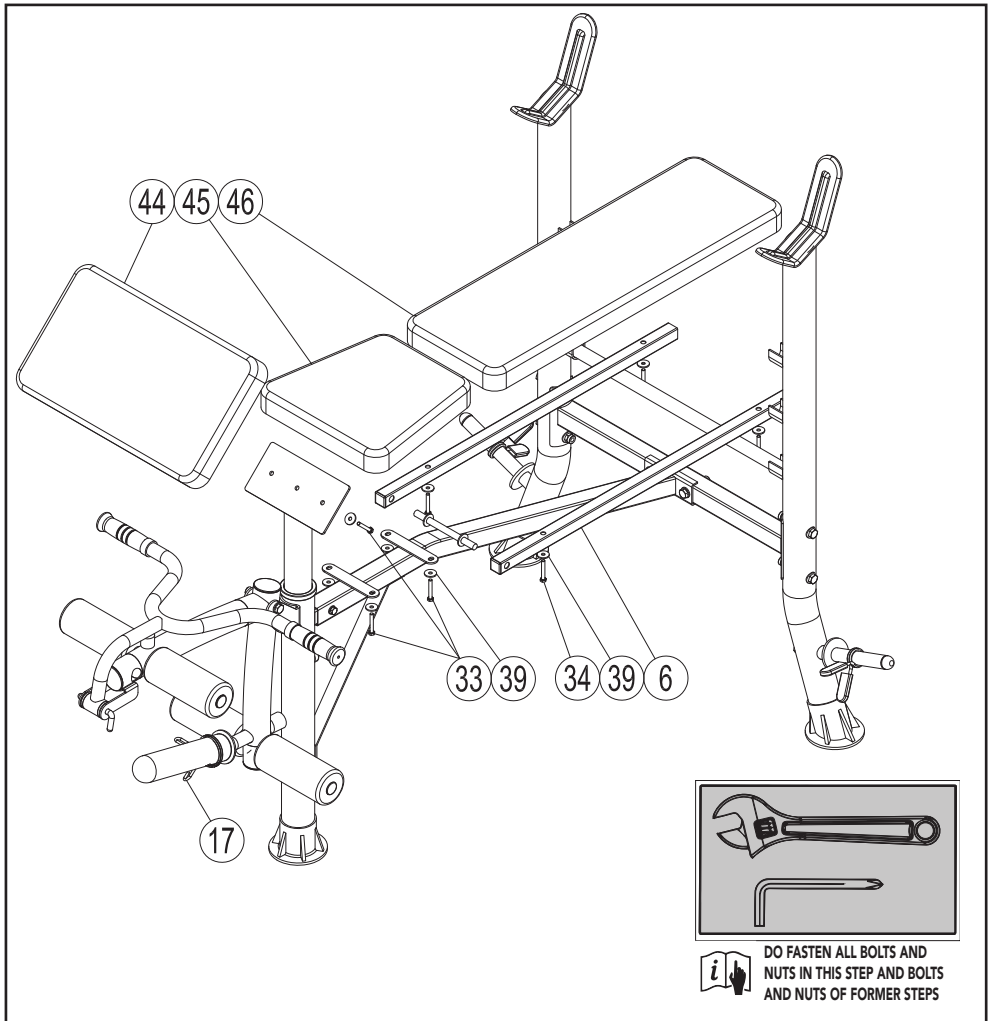
5#		Qty:1	25#		Qty:1	40#		8	Qty:5	
9#		Qty:1	28#		Qty:1	41#		10	Qty:4	
10#		Qty:1	35#		M8*16	Qty:3	43#		M10	Qty:2
11#		Qty:1	37#		M10*55	Qty:2	47#		M8*20	Qty:2




A #3

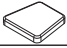



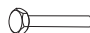


7#		Qty:1	15#		Qty:4	32#		10	Qty:2
8#		Qty:2	26#		Qty:1	41#		10	Qty:2
13#		Qty:1	30#		Qty:1	43#		M10	Qty:1
14#		Qty:1				49#		M10*70	Qty:1

## A #4

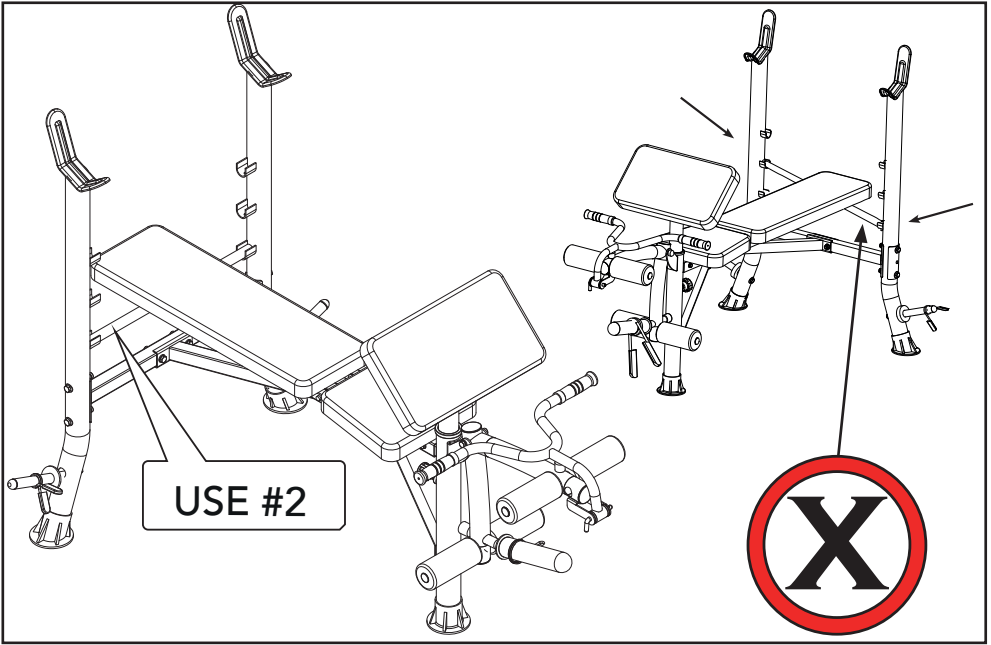


6#		Qty:2
17#		Qty:1
44#		Qty:1

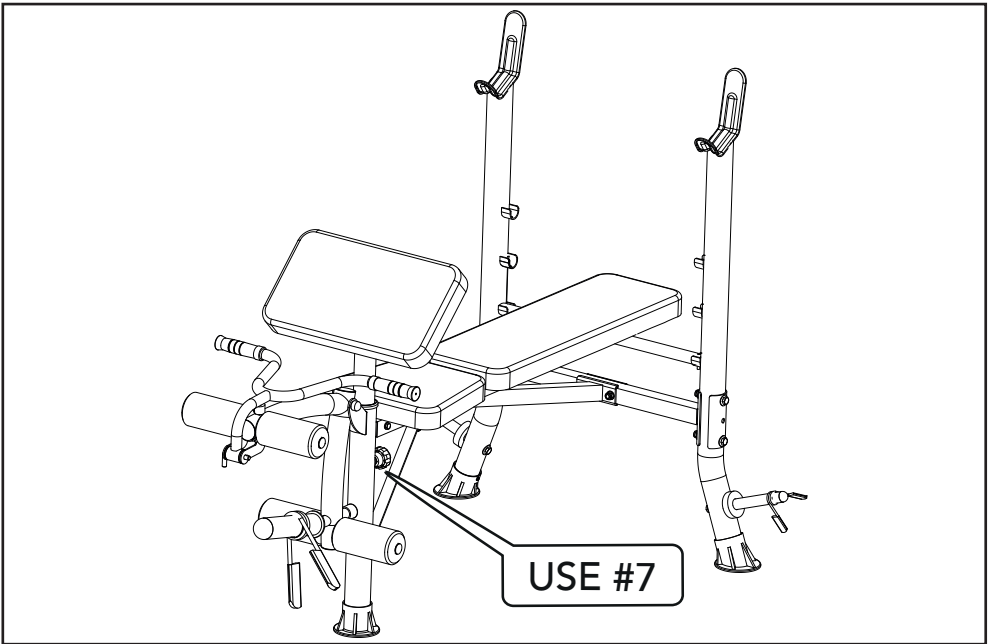
45#		Qty:1
46#		Qty:1

33#		M6*20	Qty:6
34#		M6*40	Qty:4
39#		big 6	Qty:10

Use #2

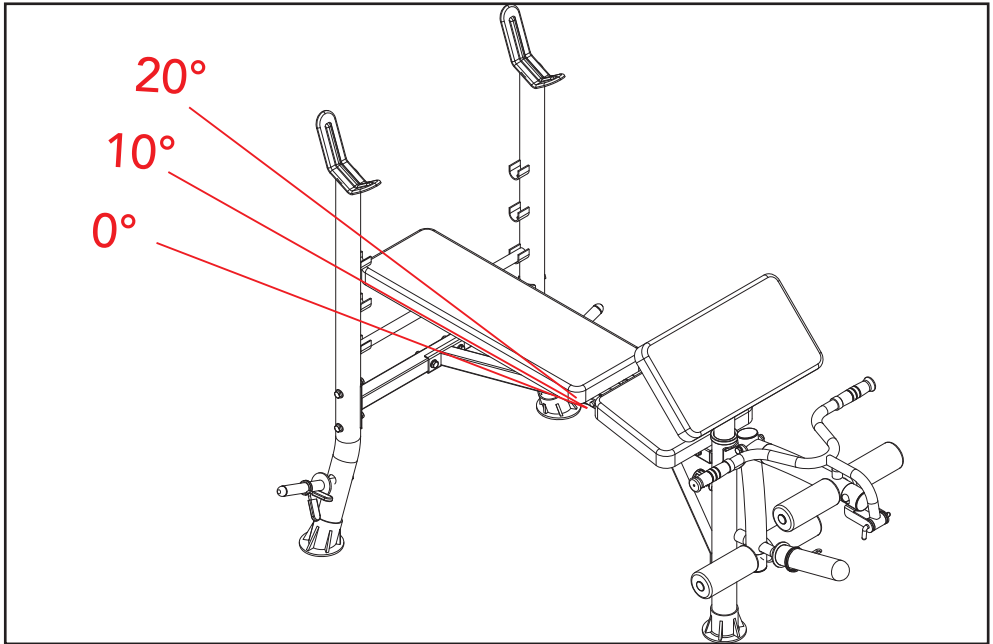


Use #7

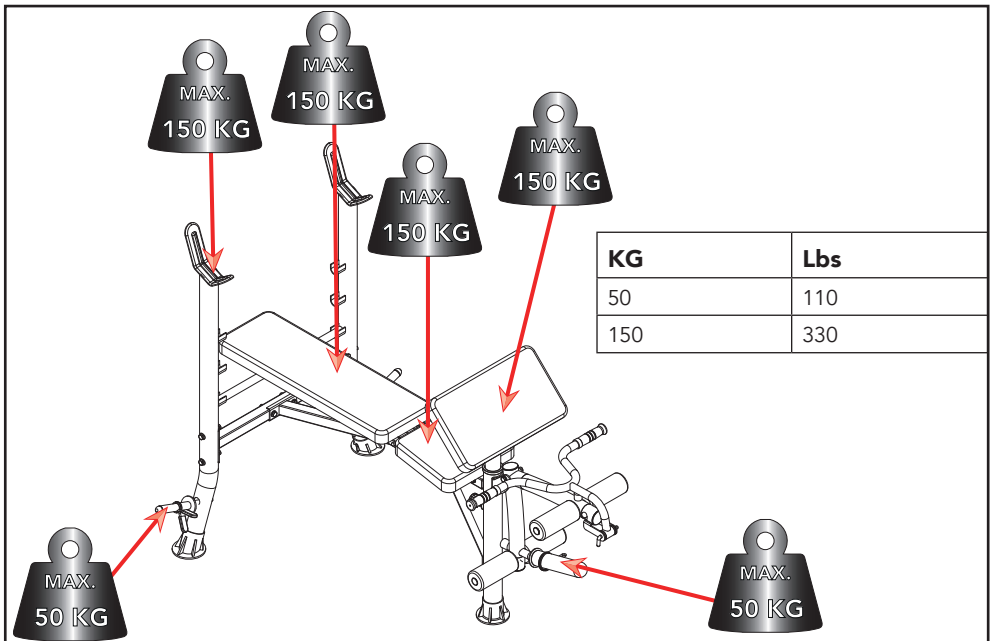




## Use



## W #1



## Index

<b>Before you begin</b> .....	<b>10</b>
<b>Important safety notice</b> .....	<b>10</b>
<b>Important assembly information</b> ....	<b>11</b>
Assembly..	11
Fasten Nuts and Bolts	11
<b>Use</b> .....	<b>11</b>
Using weight plates	11
Weight plate storage bars	12
Adjusting the backrest inclination	12
Adjusting the arm curl pad height.	12
<b>Exercise guidelines</b> .....	<b>12</b>
Building Muscle and Gaining Weight	12
Muscle Strength and Endurance	12
Training Intensity	12
Beginning a Strength Building Program	13
<b>Care and maintenance</b> .....	<b>13</b>
Additional information	13
<b>Limited warranty</b> .....	<b>13</b>
<b>Ordering replacement parts</b> .....	<b>14</b>
<b>Weight capacity and dimension</b> .....	<b>14</b>
<b>Disclaimer</b> .....	<b>14</b>

## Before you begin

Thank you for selecting the Tunturi WB40 Compact Width Weight Bench. For your safety and benefit, read this manual carefully before using the equipment. We are committed to provide you complete customer satisfaction. If you have any questions, or find there are missing or damaged parts, we guarantee you complete satisfaction through direct assistance.

To avoid unnecessary delays, please contact our customer service department, Monday to Friday 9am – 5pm GMT + 1 hour.

Tunturi New Fitness B.V.

E mail: [service.international@tunturi.com](mailto:service.international@tunturi.com)

[www.tunturi.com](http://www.tunturi.com)

## Important safety notice

This exercise equipment is built for optimum safety. However, certain precautions apply whenever you operate a piece of exercise equipment. Be sure to read the entire manual before you assemble or operate your equipment. In particular, note the following safety precautions:

- Keep children and pets away from the equipment at all times. DO NOT leave children unattended in the same room with the equipment.
- Only one person at a time should use the equipment.
- If the user experiences dizziness, nausea, chest pain, or any other abnormal symptoms, STOP the workout at once. CONSULT A PHYSICIAN IMMEDIATELY.  
Position the equipment on a clear, levelled surface. DO NOT use the equipment near water or outdoors.
- Keep hands away from all moving parts.
- Always wear appropriate workout clothing when exercising. DO NOT wear robes or other clothing that could become caught in the equipment. Running or aerobic shoes are also required when using the equipment.  
Use the equipment only for its intended use as described in this manual. DO NOT use attachments not recommended by the manufacturer.

- Do not place any sharp object around the equipment.
- Disabled person should not use the equipment.
- Before using the equipment to exercise, always do stretching exercises to properly warm up.
- Never operate the equipment if the equipment is not functioning properly.
- A spotter is recommended during exercise.
- This equipment is designed and intended for home and consumer use only, not for commercial use.

### Warning:

Before beginning any exercise program, consult your physician. This is especially important for individuals over the age of 35 or persons with pre-existing health problems.

Read all instructions before using any fitness equipment.

Tunturi New fitness bv. assumes no responsibility for personal injury or property damage sustained by or through the use of this product.

### Save these instructions!

## Important assembly information

Tools Required for Assembling the Bench:  
Two Adjustable Wrenches.

### NOTE

- It is strongly recommended that this equipment is assembled by two or more people to avoid possible injury.
- Ensure Carriage Bolts are inserted through the SQUARE holes on components that need to be assembled. Attach washer only to end of the Carriage Bolt.
- Use Allen Bolts or Hex Bolts inserted through the ROUND hole on components that need to be assembled.
- Always wait until all bolts are assembled onto the bench before tightening the bolts. Do not tighten each bolt right after it is installed

## Assembly

(Fig. A)

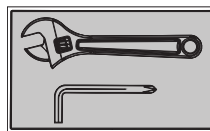
### WARNING

- Assemble the equipment in the given order.
- Carry and move the equipment with at least two persons.

### CAUTION

- Place the equipment on a firm, level surface.
- Place the equipment on a protective base to prevent damage to the floor surface.
- Allow at least 100 cm of clearance around the equipment.
- Refer to the illustrations for the correct assembly of the equipment.

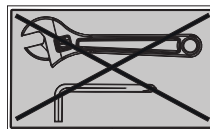
## Fasten Nuts and Bolts



Securely tighten all Nuts and Bolts after all components have been assembled in current and previous steps.

### NOTE

- Do not over tighten any component with pivoting function.
- Make sure all pivoting components are able to move freely.



Do not tighten all Nuts and Bolts in this step.

## Use

### Using weight plates

- When using weight plates, do make sure to use sufficient locking supports to secure your weight plates at all times before use.
- When using weight plates on a barbell bar, do make sure you divide the weigh-plates evenly over left and right side.
- Never exceed the maximum weight capacity of the barbell bar and or bench.  
To take not of your own body weight too.

## Weight plate storage bars

- When using the weight-plates storage bars for weight plates, do make sure to use sufficient locking supports to secure your weight plates at all times.
- When store weight-plates on the storage bars, do make sure you divide the weigh-plates evenly over left and right side.
- Never exceed the maximum weight capacity of the weight plate storage bar.

## Adjusting the backrest inclination

(Fig. Use #2)

- Tilt the backrest slightly and tilt the adjusting bar out of the toothed plates.
- Move the backrest into the required position.
- Position the adjusting bar in the toothed plates to secure it.

## Adjusting the arm curl pad height.

(Fig. Use #7)

- Pull the adjustment knob.
- Move the arm curl pad to the required position.
- Release the adjustment knob.

### ⚠ WARNING

- Never leave a barbell bar stored on the spotters unattended.

## Exercise guidelines

### Building Muscle and Gaining

#### Weight

Unlike aerobic exercise, which emphasizes endurance training, anaerobic exercise focuses on strength training. A gradual weight gain can occur while building the size and strength of muscles. While developing muscle mass, your body adapts to the stress placed upon it. You can modify your diet to include foods such as meat, fish and vegetables.

These foods help muscles recover and replenish important nutrients after a strenuous workout.

## Muscle Strength and Endurance

To achieve the greatest benefit from exercise, it is important to develop an exercise program that allows you to work all of the major muscle groups equally.

To increase muscles strength; follow this principle: Increasing resistance and maintaining the number of repetitions of an exercise results in increased muscle strength.

To tone your body, follow the principle:

Decreasing resistance plus increasing the number of repetitions of an exercise results in increased body tone.

Once you feel comfortable with an exercise, you can change the resistance, the number of repetitions, or the speed at which you do the exercise. It is not necessary to change all three variables. For example, let's say that you are training at 10 kg. and performing the exercise 10 times in 3 minutes. When this becomes too easy, you may decide to move up lifting 12 kg. for the same number of repetitions in the same amount of time. Lifting more weights fewer times most often develops muscle strength. To gain both muscle strength and endurance, it is recommended that you perform each exercise 15 to 20 reps per set.

## Training Intensity

How hard you begin to train depends on your overall level of fitness. The soreness you experienced can be lessened by decreasing the load you place on your muscles and by performing fewer sets.

To avoid injury, you should gradually work into an exercise program and set the load to your individual fitness level. The load should increase as your fitness level increases.

Muscle soreness is common, especially when you first start exercising. If you are painfully sore for a long time, it may be time to change your program. Eventually, your muscle system will become accustomed to the stress and strain placed on it

## Beginning a Strength Building

### Program

#### Warming Up

To begin strength training, it is important to stretch and perform light exercise for 5 to 10 minutes. This helps prepare the body for more strenuous exercise by increasing circulation, raising your body temperature and developing more oxygen to your muscles.

#### Workout

Each workout to keep in mind that muscle soreness that lasts for a long period is not desirable and may mean that injury has occurred.

#### Cool Down

At the end of each workout, perform slow stretching exercises for 5 to 10 minutes. Ease into each stretch only going as far as you can. This stage allows your muscles wind down after training.

To provide a total workout program it is also recommended that 2 to 3 days of aerobic exercise is performed in addition to the strength training.

#### Drinking Water

For the body to function properly, it must be properly hydrated. If you are exercising, you should increase your fluid intake. The reason for this is that the water you take in will leave your system through the sweating mechanism that cools your body during exercise. The water you lose through exercise must be replaced so that the muscles can recover properly.

#### Rest Day

Although you may not feel like doing it, taking a rest day at least once a week is important because it gives your body a chance to heal itself. Continuously working your muscle will result in over training which will not benefit in the long run.

## Care and maintenance

- Lubricate moving parts with WD-40 or light oil periodically.
- Inspect and tighten all parts before using the equipment.
- The equipment can be cleaned using a damp

cloth and mild non-abrasive detergent. DO NOT use solvents.

- Examine the equipment regularly for signs of damages or wear.
- Replace any defective components immediately and/or keep the equipment out of use until repair.
- Failure to examine regularly may affect the safety level of the equipment.

## Additional information

### Packaging disposal

Government guidelines ask that we reduce the amount of waste material disposed of in land fill sites. We therefore ask that you dispose of all packaging waste responsibly at public recycling centres.

### End of life disposal

We at Tunturi hope you enjoy many years of enjoyable use from your fitness trainer. However, a Time will come when your fitness trainer will come to the end of its useful life. Under 'European WEEE Legislation you are responsible for the appropriate disposal of your fitness trainer to a recognised public collection facility.

## Limited warranty

Tunturi New Fitness warrants this product to be free from defects in workmanship and material, under normal use and service conditions, for a period of two years on the frame and one year on all other parts and components from the date of purchase. This warranty extends only to the original purchaser. Tunturi New Fitness's obligation under this Warranty is limited to replacing damaged or faulty parts at Tunturi New Fitness's option.

All returns must be pre-authorised by Tunturi New Fitness. This warranty does not extend to any product or damage to a product caused by or attributable to freight damage, abuse, misuse, improper or abnormal usage, purchasers own repairs or for products used for commercial or rental purposes. No other warranty beyond that specifically set forth above is authorised by Tunturi New Fitness.

Tunturi New Fitness is not responsible or liable for indirect, special or consequential damages arising out of or in connection with the use or performance of the product or other damages with respect to any economic loss, loss of property, loss of revenues or profits, loss of enjoyments or use, costs of removal, installation or other consequential damages or whatsoever natures.

The warranty extended hereunder is in lieu of any and all other warranties and any implied warranties of merchantability or fitness for a particular purpose is limited in its scope and duration to the terms set forth herein.

**Your statutory rights are not affected.**

## Ordering replacement parts

Replacement parts can be ordered by contacting our Customer Support Department, Monday to Friday, 9am – 5pm GMT +1 hour:

E mail: [service.international@tunturi.com](mailto:service.international@tunturi.com)

When ordering replacement parts, please give the following information,

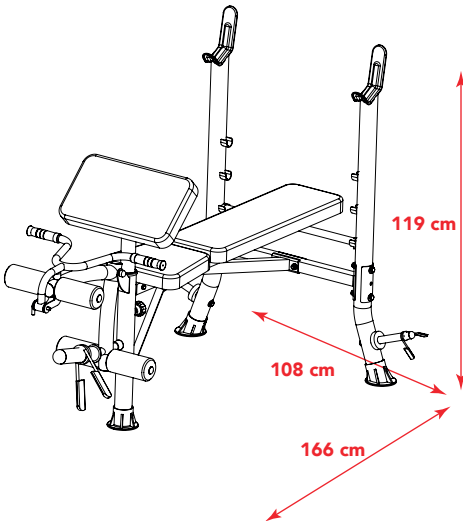
- Model
- Description of Parts
- Part Number
- Date of Purchase

Further contact information or user manuals in other languages can be found on our website.

## Weight capacity and dimension

*(Fig. W#1)*

- Maximum load weight: 150 kg.  
Assembled Dimension: 166 x 108 x 119 cm.



## Disclaimer

© 2018 Tunturi New Fitness BV  
All rights reserved.

The product and the manual are subject to change. Specifications can be changed without further notice.

## Deutsch

Diese deutsche Bedienungsanleitung ist eine Übersetzung des englischen Textes. Es können keine Rechte auf diese Übersetzung abgeleitet werden.

## Index

### Bevor Sie beginnen..... 15

### Wichtiger Sicherheitshinweis..... 15

### Wichtige Montageinformationen.... 16

Zusammenbau	16
Fasten Nuts and Bolts	17

### Gebrauch ..... 17

Umgang mit Hantelscheiben	17
Hantelscheibenablagegestangen	17
Einstellen der Rückensehnenneigung	17
Einstellen der arm curl pad Höhe.	17

### Übungsrichtlinie..... 17

Muskelaufbau und Gewichtszunahme	17
Muskelstärke und Ausdauer	17
Trainingsintensität	18
Beginn eines Programms zum Kraftaufbau	18

### Pflege und Wartung ..... 19

Zusätzliche Informationen	19
---------------------------	----

### Eingeschränkte Garantie ..... 19

### Bestellung von Ersatzteilen ..... 19

### Tragkraft und Abmessung ..... 20

### Haftungsausschluss..... 20

## Bevor Sie beginnen

Vielen Dank, dass Sie sich für den Tunturi WB40 Compact Width Weight Bench entschieden haben.

Zu Ihrer Sicherheit sollten Sie dieses Handbuch vor Verwendung des Geräts sorgfältig durchlesen. Als Händler sind wir um vollständige Kundenzufriedenheit bemüht. Sollten Sie Fragen haben oder sollten Teile fehlen oder beschädigt sein, garantieren wir Ihnen vollständige Zufriedenheit durch direkte Unterstützung. Um unnötige Verzögerungen zu vermeiden, wenden Sie sich an unsere Kundendienstabteilung, Montag bis Freitag, 9.00 Uhr - 17.00 Uhr GMT 1 Stunde.

Tunturi New Fitness B.V.

E mail: [service.international@tunturi.com](mailto:service.international@tunturi.com)

[www.tunturi.com](http://www.tunturi.com)

## Wichtiger Sicherheitshinweis

Das Trainingsgerät ist für optimale Sicherheit konstruiert. Jedoch gelten bestimmte Vorsichtsmaßnahmen, wenn Sie ein Trainingsgerät betreiben. Lesen Sie das gesamte Handbuch durch, bevor Sie das Gerät montieren oder betreiben. Beachten Sie insbesondere die folgende Sicherheitsmaßnahmen:

- Halten Sie Kinder und Haustiere immer vom Gerät fern. Lassen Sie Kinder NICHT unbeaufsichtigt mit dem Gerät in einem Raum.
- Das Gerät darf nur jeweils von einer Person gleichzeitig verwendet werden.
- Wenn sich Schwindel, Übelkeit, Brustschmerzen oder andere abnorme Symptome beim Benutzer einstellen, sollte das Training sofort beendet werden. SUCHEN SIE SOFORT EINEN ARZT AUF.
- Stellen Sie das Gerät auf eine saubere, ebene Fläche. Verwenden Sie das Gerät NICHT in der Nähe von Wasser oder im Freien.
- Halten Sie die Hände von beweglichen Teilen fern.  
Tragen Sie während des Trainings immer geeignete Sportkleidung. Tragen Sie keine langen Röcke oder andere Kleidung, die sich im Gerät verfangen kann. Tragen Sie bei

Verwendung des Geräts Lauf- oder Aerobic-Schuhe.

- Verwenden Sie das Gerät nur für den beabsichtigten Gebrauch wie in diesem Handbuch beschrieben. Verwenden Sie keine Anbauteile, die NICHT vom Hersteller empfohlen sind.
- Stellen Sie keine spitzen Gegenstände rund um das Gerät auf.
- Behinderte Personen dürfen das Gerät nicht ohne Beaufsichtigung durch eine qualifizierte Person oder einen Arzt benutzen.
- Machen Sie vor Verwendung des Geräts immer Dehnübungen, um sich aufzuwärmen.
- 11. Verwenden Sie das Gerät nicht, wenn es nicht richtig funktioniert.
- Für das Training wird ein Helfer empfohlen.
- Stecken Sie den Gewichtsauswahlstift nicht hinein, während sich der Gewichtsstapel oder die obere Platte in einer erhöhten Position befinden.
- Achten Sie darauf, dass der Auswahlstift vollständig hineingesteckt ist.
- Verwenden Sie keine Hanteln oder andere Mittel, um den Gewichtswiderstand zu erhöhen. Verwenden Sie nur vom Hersteller gelieferte Gewichtsplatten.
- Das Gerät ist für den privaten Gebrauch und nicht für den gewerblichen Gebrauch gedacht.

### Warnung:

Ziehen sie vor Durchführung eines Übungsprogramms ihren Arzt zu rate. dies gilt insbesondere für Personen über 35 Jahre oder für Personen mit bestehenden gesundheitlichen Problemen.

lesen sie vor Verwendung von Fitnessgeräten die gesamte Anleitung durch.

Tunturi New Fitness bv übernimmt keine Verantwortung für Verletzungen oder Sachschäden, die durch dieses Produkt oder durch Verwendung dieses Produkts entstehen.

**Bewahren sie diese Anleitung auf!**

## Wichtige

### Montageinformationen

Für die Montage der Bank erforderliche Werkzeuge: Zwei verstellbare Schraubenschlüssel.

#### HINWEIS

- Dieses Gerät sollte unbedingt von mindestens zwei Personen montiert werden, um Verletzungen zu vermeiden.
- Achten Sie darauf, dass Schlossschrauben durch die QUADRATISCHEN Löcher an den zu montierenden Komponenten gesteckt werden. Bringen Sie Beilagscheiben nur am Ende der Schlossschrauben an.
- Stecken Sie Inbusschrauben oder Sechstankschrauben durch das RUNDE Loch an den zu montierenden Komponenten.
- Warten Sie immer, bis alle Schrauben an der Bank montiert sind, bevor Sie die Schrauben festziehen. Ziehen Sie die einzelnen Schrauben nicht direkt nach ihrer Montage an.

### Zusammenbau

(Abb. A)

#### WARNUNG

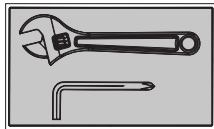
- Bauen Sie das Gerät in der angegebenen Reihenfolge zusammen.
- Tragen und bewegen Sie das Gerät mit mindestens zwei Personen.

#### VORSICHT

- Stellen Sie das Gerät auf festen, ebenen Boden.
- Stellen Sie das Gerät auf eine schützende Unterlage, um Schäden am Bodenbelag zu vermeiden.
- Sorgen Sie rund um das Gerät für einen Freiraum von mindestens 100 cm.
- Der richtige Zusammenbau des Geräts geht aus den Abbildungen hervor.



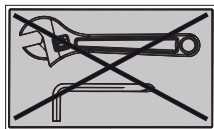
## Fasten Nuts and Bolts



Ziehen Sie die Muttern und Schrauben fest an, nachdem alle Komponenten im aktuellen und in den vorherigen Schritten montiert wurden.

### ⚠ HINWEIS

- Ziehen Sie Komponenten mit Drehfunktion nicht zu fest an.
- Vergewissern Sie sich, dass sich alle Drehkomponenten frei drehen können.



Ziehen Sie nicht alle Muttern und Schrauben in diesem Schritt fest.

## Gebrauch

### Umgang mit Hantelscheiben

- Achten Sie bei der Verwendung von Hantelscheiben darauf, dass Sie vor dem Gebrauch immer genügend Sicherungen verwenden, um Ihre Hantelscheiben zu sichern.
- Wenn Sie Hantelscheiben an einer Langhantelstange verwenden, achten Sie darauf, dass Sie die Hantelscheiben gleichmäßig auf der linken und rechten Seite verteilen.
- Überschreiten Sie niemals die maximale Tragfähigkeit der Langhantelstange und/oder der Bank.  
Beachten Sie dabei auch ihr eigenes Körpergewicht.

### Hantelscheibenablagegestangen

- Achten Sie bei der Verwendung von Hantelscheibenablagegestangen darauf, dass Sie immer genügend Sicherungen verwenden, um Ihre Hantelscheiben zu sichern.
- Wenn Sie Hantelscheiben auf die Ablagegestangen schieben, achten Sie darauf, dass Sie die Hantelscheiben gleichmäßig auf der linken und rechten Seite verteilen.

- Überschreiten Sie niemals die maximale Tragfähigkeit der Hantelscheibenablagegestangen.

## Einstellen der

### Rückensehnenneigung

(Fig. Use #2)

- Ziehen Sie den Einstellknopf.
- Bewegen Sie die Rückenlehne in die erforderliche Position.
- Lassen Sie den Einstellknopf los.

### Einstellen der arm curl pad Höhe.

(Fig. Use #7)

- Ziehen Sie den Einstellknopf.
- Bewegen Sie die arm curl pad in die erforderliche Position.
- Lassen Sie den Einstellknopf los

### ⚠ HINWEIS

- Vergewissern Sie sich, dass sich beide Spotter in der gleichen Höhe befinden.

## Übungsrichtlinie

### Muskelaufbau und

### Gewichtszunahme

Anders als aerobe Übungen, die das Training der Ausdauer betonen, konzentrieren sich anaerobe Übungen auf das Krafttraining. Eine allmähliche Gewichtszunahme kann eintreten, wenn die Größe und die Stärke der Muskeln aufgebaut wird. Während der Entwicklung von Muskelmasse passt sich der Körper an die Belastung an, die auf ihn wirkt. Sie können Ihre Ernährung so ändern, dass sie Lebensmittel wie Fleisch, Fisch und Gemüse beinhaltet. Diese Lebensmittel helfen Muskeln bei der Regeneration und bieten wichtige Nährstoffe nach einem anstrengenden Training.

### Muskelstärke und Ausdauer

Um den größten Nutzen aus dem Training zu ziehen, ist es wichtig, ein Übungsprogramm zu

entwickeln, das es Ihnen ermöglicht, alle größeren Muskelgruppen gleichmäßig zu trainieren.

Um die Muskelkraft zu steigern, befolgen Sie dieses Prinzip: Zunehmender Widerstand und Beibehaltung der Anzahl der Wiederholungen einer Übung führen zu erhöhter Muskelkraft. Um Ihren Körper zu formen, befolgen Sie dieses Prinzip: Abnehmender Widerstand und plus Steigerung der Anzahl der Wiederholungen einer Übung führen zu erhöhter Körperspannung. Sobald Sie sich an eine Übung gewöhnt haben, können Sie den Widerstand, die Anzahl der Wiederholungen oder die Geschwindigkeit, mit der Sie die Übung durchführen, ändern. Es ist nicht nötig, alle drei Variablen zu ändern. Nehmen wir an, dass Sie zum Beispiel mit 10 kg. trainieren und die Übung 10 Mal in 3 Minuten durchführen. Wenn dies zu einfach wird, können Sie sich entscheiden, 12 kg. mit derselben Anzahl an Wiederholungen in derselben Zeit durchzuführen. Wenn Sie mehr Gewichte weniger oft heben, entwickeln Sie Muskelkraft. Um sowohl Muskelstärke als auch Ausdauer zu gewinnen, sollten Sie jede Übung mit 15 bis 20 Wiederholungen pro Satz durchführen.

## **Trainingsintensität**

Auf welcher Stufe Sie Ihr Training beginnen, hängt von Ihrem gesamten Fitnessniveau ab. Eventuelle Schmerzen können durch Verringerung der Last gemildert werden, die Sie auf Ihre Muskeln wirken lassen, und durch Ausführung weniger Sätze. Um Verletzungen zu vermeiden, sollten Sie in ein Übungsprogramm nach und nach einsteigen und die Last Ihrem individuellen Fitnessniveau anpassen. Die Last sollte mit steigendem Fitnessniveau erhöht werden. Muskelschmerzen sind häufig, insbesondere wenn Sie mit einer Übung erstmals beginnen. Wenn Sie längere Zeit Schmerzen haben, kann es Zeit sein, das Programm zu ändern. Schließlich gewöhnen sich Ihre Muskeln an die Belastung und den Druck, der auf sie wirkt.

## **Beginn eines Programms zum**

### **Kraftaufbau**

---

#### **Aufwärmen**

Vor Beginn des eigentlichen Krafttrainings ist es wichtig, 5 bis 10 Minuten Dehn- und leichte Übungen durchzuführen. Dies bereitet den Körper auf die anstrengendere Übung vor, indem der Kreislauf angeregt, die Körpertemperatur gesteigert und in den Muskeln mehr Sauerstoff erzeugt wird.

#### **Training**

Denken Sie bei jedem Training daran, dass Muskelschmerzen, die längere andauern, nicht wünschenswert sind und bedeuten können, dass es eine Verletzung vorliegt.

#### **Abkühlen**

Führen Sie am Ende jedes Trainings 5 bis 10 Minuten langsame Dehnübungen durch. Führen Sie jede Dehnung nur so weit durch, wie Sie können. In dieser Phase können sich Ihre Muskeln nach dem Training entspannen. Für ein komplettes Trainingsprogramm sollten neben dem Krafttraining an 2 bis 3 Tagen aerobe Übungen durchgeführt werden.

#### **Getränke**

Damit der Körper richtig funktioniert, muss er mit Wasser versorgt werden. Wenn Sie trainieren, sollten Sie die Flüssigkeitsaufnahme erhöhen. Der Grund dafür ist, dass das Wasser, das Sie zu sich nehmen, Ihren Körper durch das Schwitzen verlässt, das den Körper während der Übung abkühlt. Das Wasser, das Sie während der Übung verlieren, muss ersetzt werden, damit sich die Muskeln richtig regenerieren können.

#### **Ruhetag**

Auch wenn Sie keine Lust dazu haben, ist mindestens ein Ruhetag pro Woche wichtig, da dies zur Selbstheilung Ihres Körpers beiträgt. Wenn Sie Ihre Muskeln ohne Pause trainieren, werden sie übertrainiert, was langfristig nicht gut ist.n.

## Pflege und Wartung

- Schmieren Sie bewegliche Teile regelmäßig mit WD-40 oder Leichtöl.
- Überprüfen Sie vor Verwendung des Geräts alle Teile und ziehen Sie sie fest.
- Das Gerät kann mit einem feuchten Tuch und einem milden, nicht scheuernden Reinigungsmittel gereinigt werden. Verwenden Sie KEINE Lösungsmittel.
- Überprüfen Sie das Gerät regelmäßig auf Anzeichen von Schäden oder Verschleiß.
- Tauschen Sie defekte Teile umgehend aus und/ oder verwenden Sie das Gerät nicht, bis es repariert ist.
- Fehlende Überprüfung kann die Sicherheit des Geräts beeinträchtigen.

## Zusätzliche Informationen

### Verpackungsentsorgung

Staatliche Vorschriften sagen, dass wir die in Deponien entsorgen Abfallmengen verringern sollen. Daher bitten wir Sie, den gesamten Verpackungsabfall an öffentlichen Recyclingstellen abzugeben

### Entsorgung am ende der Lebensdauer

Wir bei Tunturi hoffen, dass Sie Ihren Fitnesstrainer viele Jahre mit Freude nutzen werden. Jedoch wird irgendwann die Zeit kommen, wenn die Ende der Nutzungsdauer des Fitnesstrainers erreicht ist. Gemäß den europäischen WEEE-Gesetzen sind Sie für eine geeignete Entsorgung des Fitnesstrainers bei einer anerkannten öffentlichen Entsorgungsstelle verantwortlich.

## Eingeschränkte Garantie

Tunturi New Fitness garantiert, dass dieses Produkt bei normalen Gebrauchs- und Wartungsbedingungen für einen Zeitraum von zwei Jahren (Gestell) bzw. einem Jahr (alle anderen Teile und Komponenten) ab Kaufdatum frei von Material- und Fertigungsfehlern ist. Diese Garantie gilt nur für den ursprünglichen Käufer und nur bei nicht gewerblichem Gebrauch. Die Verpflichtung von Tunturi Fitness unter dieser Garantie ist auf den Austausch beschädigter oder

defekter Teil nach Wahl von Tunturi New Fitness beschränkt.

Alle Rücksendungen müssen vorher von Tunturi New Fitness genehmigt werden. Diese Garantie gilt nicht für Schäden an einem Produkt, die durch den Transport, missbräuchliche Verwendung, Missbrauch, falsche oder abnormale Verwendung oder Eigenreparaturen des Käufers verursacht wurden oder diesen zuzuschreiben sind oder für Produkte, die für gewerbliche oder Mitzwecke verwendet werden. Tunturi New Fitness gibt keine weiteren Garantien außer den oben beschriebenen.

Tunturi New Fitness übernimmt keine Verantwortung oder Haftung für indirekte, besondere oder Folgeschäden, die sich aus und in Verbindung mit der Verwendung oder Leistung des Produkts ergeben, oder für andere Schäden in Bezug auf wirtschaftliche Verluste, Eigentumsverlust, entgangene Umsätze oder Gewinne, entgangenen Genuss oder entgangene Nutzung, Kosten der Beseitigung, Installation oder andere Folgeschäden jeglicher Art.

Die hierunter angegebene Garantie ersetzt alle anderen Garantien. Alle stillschweigenden Garantien der Marktgängigkeit oder Eignung für einen bestimmten Zweck sind in Umfang und Dauer auf die hierin angegebene Laufzeit beschränkt.

**Ihre gesetzlichen Rechte werden davon nicht beeinflusst.**

## Bestellung von Ersatzteilen

Ersatzteile können von unserer Kundendienstabteilung bestellt werden, Montag bis Freitag, 9.00 Uhr - 17.00 Uhr GMT +1 Stunde:

E mail: [service.international@tunturi.com](mailto:service.international@tunturi.com)

Bitte geben Sie bei der Bestellung von Ersatzteilen die folgenden Informationen an:

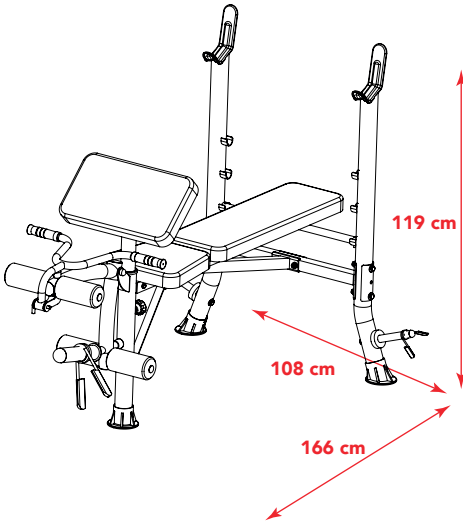
- Modell
- Beschreibung der Teile
- Teilenummer
- Kaufdatum

Kontaktinformationen und Produkthandbücher in weiteren Sprachen finden Sie auf unseren Websites:

## Tragkraft und Abmessung

(Fig. W#1)

- Maximales Ladegewicht: 150 kg.
- Abmessungen im montierten Zustand: 166 x 108 x 119 cm.



## Haftungsausschluss

© 2018 Tunturi New Fitness BV  
Alle Rechte vorbehalten.

Produkt und Handbuch können geändert werden. Die technischen Daten können ohne Vorankündigung geändert werden.

## Français

Ce manuel français est une traduction de la version anglaise. Notez que la version anglaise est en tête dans le contenu lorsque des différences sont trouvées.

## Indice

### Avant de commencer..... 21

### importants de sécurité ..... 21

### Informations importantes concernant

### l'assemblage ..... 22

Assemblage 22

Serrer les écrous et les boulons/vis 22

### Usage..... 23

Utiliser des poids 23

Barre de rangement pour poids 23

Ajuster l'inclinaison du dossier 23

Réglage du arm curl pad hauteur. 23

### Conseils d'entraînement..... 23

Structuration musculaire et gain de poids. 23

Force musculaire et endurance 23

Intensité de l'entraînement 24

Commencer un programme de structuration musculaire 24

### Entretien et maintenance ..... 24

Informations supplémentaires 24

### Garantie limitée ..... 25

### Commande de pièces de rechange. 25

### Charge et dimensions ..... 25

### Limite de responsabilité ..... 26

## Avant de commencer

Nous vous remercions d'avoir choisi le Tunturi WB40 Compact Width Weight Bench..

Pour votre sécurité et dans votre intérêt, veuillez lire attentivement ce manuel avant d'utiliser l'équipement. En tant que distributeur, nous nous engageons à garantir votre entière satisfaction. Si vous avez des questions, ou constatez des pièces manquantes ou défectueuses, nous veillerons à votre entière satisfaction grâce à notre assistance directe.

Afin d'éviter des retards inutiles, veuillez contacter notre service clientèle, du lundi au vendredi de 9h00 à 17h00 GMT + 1 heure.

Tunturi New Fitness B.V.

E mail: [service.international@tunturi.com](mailto:service.international@tunturi.com)

[www.tunturi.com](http://www.tunturi.com)

## importants de sécurité

Cet appareil de musculation est conçu pour garantir une sécurité optimale. Toutefois, certaines précautions doivent être respectées chaque fois que vous utilisez un élément de cet équipement de musculation. Assurez-vous d'avoir lu l'intégralité du manuel avant d'assembler ou d'utiliser votre machine. Veuillez noter en particulier les précautions de sécurité suivantes :

- Veuillez à éloigner les enfants et animaux de la machine à tout moment. VEILLEZ A NE PAS LAISSER les enfants sans surveillance dans la pièce où se trouve la machine.
- La machine ne doit être utilisée que par une seule personne à la fois.
- Si l'utilisateur ressent des étourdissements, éprouve des nausées, des douleurs pectorales ou tout autre symptôme anormal, il DOIT ARRÊTER l'entraînement sans attendre et CONSULTER UN MÉDECIN SANS DÉLAI.
- Placez l'appareil sur une surface aussi plane et dégagée que possible. N'UTILISEZ PAS la machine près de l'eau ou à l'extérieur.
- Veuillez à éloigner vos mains et vos pieds de toute pièce en mouvement.
- Portez toujours des vêtements de sport adaptés lors des exercices VEILLEZ A NE PAS PORTER de robes ou autre vêtement qui pourrait se prendre dans la machine. Des chaussures de

- sport ou d'aérobic sont également requises lors de l'utilisation de la machine.
- Utilisez la machine uniquement pour l'usage auquel elle est destinée et qui est décrit dans le présent manuel. N'UTILISEZ PAS de fixations non recommandées par le fabricant.
  - Ne placez aucun objet tranchant à proximité de la machine.
  - Les personnes handicapées ne doivent pas utiliser l'équipement.
  - Avant d'utiliser la machine, effectuez toujours auparavant des étirements pour vous échauffer correctement.
  - N'utilisez jamais la machine si celle-ci ne fonctionne pas correctement.
  - Il est recommandé d'effectuer les exercices sous la vigilance d'une autre personne.
  - Cette machine est conçue et destinée à la pratique de la musculation à domicile et privée uniquement, pas à un usage à des fins commerciales.

### Avertissement:

Avant d'entamer un programme d'exercices, consultez votre médecin. Ceci s'adresse particulièrement aux personnes de plus de 5 ans ou celles qui présentent des problèmes de santé pré-existants. Lisez toutes les instructions avant d'utiliser n'importe quel équipement de musculation. Tunturi New Fitness bv décline toute responsabilité quant aux blessures aux personnes ou aux dommages aux biens du fait ou découlant de l'utilisation de ce produit.

### Gardez ces instructions en lieu sûr!

## Informations importantes concernant l'assemblage

Outils nécessaires pour l'assemblage du banc : deux clés à molette.

### NOTE

- Il est fortement recommandé de faire assembler cet équipement par deux personnes ou plus afin d'éviter tout accident/blessure.

- Veillez à ce que les vis à tête ronde soient insérées dans les orifices carrés des composants devant être assemblés. Ne placer la rondelle qu'à l'extrémité de la vis à tête ronde.
- Utilisez des vis à tête bombée à six pans creux ou des vis hexagonales qui seront insérées dans l'orifice rond des composants devant être assemblés.
- Veillez toujours à installer toutes les vis sur le banc avant de les serrer. Ne pas serrer une vis ou un boulon sitôt après l'avoir installé.

## Assemblage

(Fig. A)

### AVERTISSEMENT

- Assemblez l'équipement dans l'ordre indiqué.
- Deux personnes au moins sont nécessaires pour transporter et déplacer l'équipement.

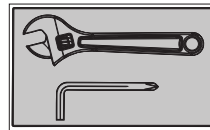
### PRÉCAUTION

- Placez l'équipement sur une surface plane et ferme.
- Placez l'équipement sur une base protectrice pour éviter d'endommager la surface du sol.
- Prévoyez un dégagement d'au moins 100 cm autour de l'équipement.
- Consultez les illustrations pour l'assemblage correct de l'équipement.

### NOTE

- Conservez les outils livrés avec ce produit après son montage, pour d'éventuels entretiens.

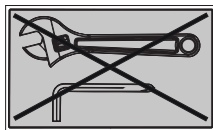
## Serrer les écrous et les boulons/vis



Serrez fermement tous les écrous et vis après que tous les composants aient été assemblés au cours des étapes actuelles et précédentes.

### NOTE

- Ne pas serrer excessivement les composants présentant une fonction pivotante.
- Assurez-vous que tous les composants mobiles pivotent sans entrave.



Ne pas serrer les écrous et les vis/boulons à cette étape.

## ⚠ AVERTISSEMENT

- Ne laissez jamais une barre à disques sur les guides sans surveillance.

## Usage

### Utiliser des poids

- Lorsque vous utilisez des poids, veillez à utiliser des dispositifs de verrouillage suffisants afin de les fixer à tout moment avant chaque utilisation.
- Lorsque vous utilisez des poids sur une barre à disques, veillez à répartir les poids uniformément du côté gauche et du côté droit.
- Ne dépassez jamais la capacité de poids maximale de la barre à disques et/ou du banc. Tenez compte aussi du poids de votre corps.

### Barre de rangement pour poids

- Lorsque vous utilisez la barre de rangement pour poids, veillez à utiliser des dispositifs de verrouillage suffisants afin de les fixer à tout moment.
- Lorsque vous rangez des poids sur les barres de rangement, veillez à répartir les poids uniformément du côté gauche et du côté droit.
- Ne dépassez jamais la capacité de poids maximale de la barre de rangement pour poids.

### Ajuster l'inclinaison du dossier

*(Fig. Use #2)*

- Inclinez légèrement le dossier et inclinez la barre de réglage hors des plaques dentées.
- Déplacez le dossier dans la position requise.
- Positionnez la barre de réglage dans les plaques dentées pour la fixer.

### Réglage du arm curl pad hauteur.

*(Fig. Use #7)*

- Tirez sur le bouton de réglage.
- Amenez le arm curl pad à la position requise.
- Relâchez le bouton de réglage

## Conseils d'entraînement

### Structuration musculaire et gain de poids.

A la différence des exercices aérobies, qui mettent l'accent sur l'amélioration de l'endurance, les exercices anaérobies se concentrent sur le développement musculaire. Un gain de poids graduel peut se produire en développant la taille et la force des muscles. En développant la masse musculaire, votre corps s'adapte au stress auquel il est soumis. Vous pouvez modifier votre régime pour inclure des aliments tels que viandes, poissons et légumes. Ces aliments aident les muscles à récupérer et reconstituer les nutriments importants après un exercice éprouvant.

### Force musculaire et endurance

Pour tirer le meilleur parti des exercices, il est important de développer un programme d'exercices vous permettant de travailler tous les groupes musculaires majeurs de manière égale. Pour augmenter la force musculaire, suivez ce principe : augmenter la résistance et garder le même nombre de répétitions d'un exercice permet d'augmenter la force musculaire. Pour tonifier votre corps, suivez ce principe: diminuer la résistance et augmenter la cadence de répétitions d'un exercice permet d'augmenter la tonicité du corps.

Une fois que vous vous êtes bien habitué à un exercice, vous pouvez modifier la résistance, la cadence de répétition ou la vitesse à laquelle vous effectuez l'exercice. Il n'est pas nécessaire de modifier les trois variables. Par exemple, supposons que vous vous entraînez avec 10 kg. et effectuez l'exercice 10 fois en 3 minutes. Lorsque celui-ci devient trop facile, vous pouvez envisager de passer à un levage de 12 kg. pour le même nombre de répétitions pendant la même période de temps. Lever plus de poids moins de fois développe le plus souvent la force musculaire. Pour gagner à la fois en force musculaire et en endurance, il est recommandé d'effectuer chaque exercice 15 à 20 fois par série.

## Intensité de l'entraînement

Le niveau auquel vous commencez à vous entraîner dépend de votre niveau général de forme. Les douleurs éprouvées peuvent être atténuées en réduisant la charge que vous faites supporter à vos muscles et en effectuant moins d'exercices. Pour éviter les blessures, vous devez appliquer graduellement votre programme d'exercices et régler la charge à votre niveau personnel de forme. La charge doit augmenter à mesure que votre niveau de forme augmente. Les douleurs musculaires sont chose courante, spécialement lorsque vous commencez à vous exercer. Si vous éprouvez durablement des douleurs, il peut être temps de modifier votre programme. Au final, votre système musculaire s'habitue aux contraintes qu'il subit.

## Commencer un programme de structuration musculaire

### Échauffement

Pour commencer l'entraînement musculaire, il est important de s'étirer et d'effectuer des exercices faciles entre 5 et 10 minutes. Cela aide à préparer le corps à des exercices plus contraignants en augmentant la circulation, ce qui fait monter votre température corporelle et oxygène mieux vos muscles.

### Entraînement

Il faut se rappeler que pour chaque exercice, les douleurs musculaires qui durent pendant une très longue période ne sont pas souhaitables et peuvent causer des lésions.

### Récupération

À la fin de chaque exercice, effectuez des étirements lents entre 5 et 10 minutes. Relâchez-vous entre chaque étirement et en l'effectuant aussi loin que vous le pouvez. Cette étape permet d'oxygéner vos muscles après l'entraînement. Pour un programme d'exercice complet, il est également recommandé d'effectuer 2 à 3 jours d'exercices aérobies en plus de l'entraînement pour le développement musculaire.

### Boire de l'eau

Pour que le corps fonctionne correctement, il doit être correctement hydraté. Si vous faites des exercices, vous devez augmenter votre

consommation de liquides. La raison est que l'eau que vous absorbez sera éliminée par la transpiration qui refroidit votre organisme durant les exercices. L'eau que vous perdez du fait des exercices doit être remplacée pour que les muscles puissent récupérer correctement.

### Jours de repos

Bien que vous puissiez ne pas en avoir envie, il est important de prendre un jour de repos au moins une fois par semaine car cela permet à votre corps de se régénérer. Faire travailler vos muscles continuellement conduira à un surentraînement qui ne vous apportera aucun bénéfice à long terme.

## Entretien et maintenance

- Lubrifiez périodiquement les parties mobiles avec de la wd-40 ou de l'huile légère.
- Contrôlez et resserrez tous les éléments avant d'utiliser cet équipement.
- La machine se nettoie à l'aide d'un chiffon humide et de produit détergent doux et non-abrasif. N'utilisez pas de solvants.
- Examinez l'équipement régulièrement pour détecter tous dommages ou signes d'usure.
- Remplacez les éléments défectueux sans délai et/ou n'utilisez pas l'équipement jusqu'à réparation.
- Le fait de négliger l'examen régulier de l'équipement peut compromettre le niveau de sécurité de celui-ci.

## Informations supplémentaires

### Élimination des emballages

Les réglementations gouvernementales nous demandent de réduire la quantité de matériaux déposés dans les décharges. C'est pour cela que nous faisons appel à votre responsabilité et vous demandons de déposer les emballages dans des centres de recyclage publics.

### Élimination du produit

Chez Tunturi, nous espérons que vous profiterez longtemps de votre appareil de fitness. Cependant, nous savons bien qu'un jour ou l'autre votre machine arrivera au terme de sa vie utile. Selon la directive européenne sur les DEEE, vous êtes responsable de vous séparer correctement



de votre appareil de fitness en le déposant dans un site public agréé de récupération des déchets.

## Garantie limitée

Tunturi New Fitness garantit que ce produit est exempt de défauts dans sa qualité et ses matériaux, dans le cas d'une utilisation et de conditions de service normaux, pour une période de deux ans pour le châssis et d'un an pour toutes les autres pièces et composants et ce à compter de la date d'achat. Cette garantie ne s'applique qu'à l'acheteur original et est valable uniquement dans le cas d'un usage domestique. L'obligation de Tunturi New Fitness aux termes de cette garantie se limite au remplacement des pièces endommagées ou défectueuses à la discrétion de Tunturi New Fitness.

Tout retour doit être au préalable autorisé par Tunturi New Fitness. Cette garantie ne s'applique pas aux produits ou aux dommages à un produit causés par ou attribuables à des dégâts lors du transport, un abus, une mauvaise utilisation ou une utilisation anormale, ni aux réparations effectuées par l'acheteur ou encore aux produits utilisés à des fins commerciales ou de location. Aucune autre garantie que celle précisée ci-dessus n'est autorisée par Tunturi New Fitness.

Tunturi New Fitness n'assume aucune responsabilité pour les dommages indirects, spéciaux ou consécutifs survenant du fait de ou en relation avec l'utilisation ou la performance du produit ou pour tout autre dommage relatif à une perte économique, une perte de propriété, un manque-à-gagner, une perte des bénéfices ou une utilisation réduite, des coûts de démontage, d'installation ou autre dommage consécutif de quelque nature que ce soit

La garantie étendue ci-après s'applique en lieu et place des autres garanties et toutes les autres garanties de qualité marchande et de compatibilité à des fins particulières sont limitées dans leur champ d'application et leur durée aux termes définis dans le présent document.

**Vos droits légaux ne sont pas affectés.**

## Commande de pièces de rechange

Pour commander des pièces de rechange, veuillez contacter notre service clientèle, du lundi au vendredi de 9h00 à 17h00 gmt + +1 heure :

E-mail : [service.international@tunturi.com](mailto:service.international@tunturi.com)

Lors de la commande de pièces de rechange, veuillez indiquer les informations suivantes

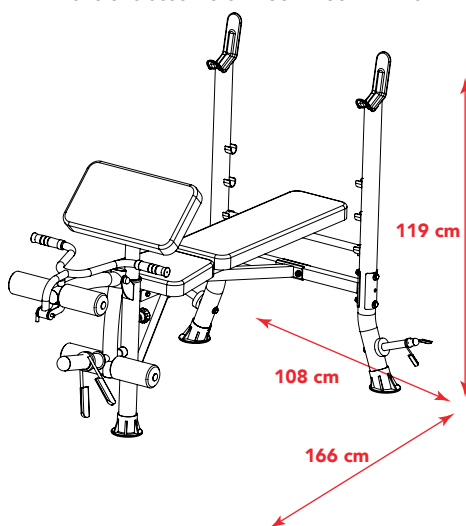
- Modèle
- Description des pièces
- Référence de pièce
- Date d'achat

Si vous souhaitez obtenir des données de contact ou des manuels de produit dans une autre langue, veuillez vous rendre sur nos sites internet:

## Charge et dimensions

(Fig. W#1)

- Poids maximum charge : 150 kg.
- Dimensions assemblé : 166 x 108 x 119 cm.



## **Limite de responsabilité**

---

© 2018 Tunturi New Fitness BV  
Tous les droits réservés.

Le produit et le manuel sont sujets à modifications. Les spécifications peuvent changer sans préavis.

## Nederlands

Deze Nederlandse handleiding is een vertaling van de Engelse tekst. Aan deze vertaling kunnen geen rechten ontleend worden. De originele Engelse tekst blijft leidend.

## Inhoud

<b>Voordat u begint .....</b>	<b>27</b>
<b>Belangrijke veiligheidsinstructie .....</b>	<b>27</b>
<b>Belangrijke montage-informatie .....</b>	<b>28</b>
Assemblage	28
Bouten en moeren aandraaien	29
<b>Gebruik.....</b>	<b>29</b>
Gebruik van halterschijven	29
Opbergstangen voor halterschijven	29
Afstellen van de rugleuning	29
Afstellen van de arm curl pad hoogte.	29
<b>Richtlijnen voor oefeningen.....</b>	<b>29</b>
Spierontwikkeling en gewichtstoename	29
Spierkracht en uithoudingsvermogen	29
Trainingsintensiteit	30
Beginnen met een krachtraining programma	30
<b>Zorg en onderhoud .....</b>	<b>30</b>
Aanvullende informatie	31
<b>Beperkte garantie.....</b>	<b>31</b>
<b>Vervangende onderdelen bestellen</b>	<b>31</b>
<b>Maximale belasting en afmetingen.</b>	<b>32</b>
<b>Disclaimer .....</b>	<b>32</b>

## Voordat u begint

Bedankt dat u voor de Tunturi WB40 Compact Width Weight Bench. heeft gekozen. Neem deze handleiding zorgvuldig door voordat u dit apparaat gaat gebruiken. Als distributeur hechten we veel waarde aan de tevredenheid van onze klanten. Als u vragen hebt of als er onderdelen ontbreken of beschadigd zijn, staan de medewerkers van onze klantenservice voor u klaar. Voorkom onnodige vertraging en neem contact op met onze klantenservice: maandag t/m vrijdag van 9:00 tot 17:00 uur GMT +1 uur.

Tunturi New Fitness B.V.

E mail: [service.international@tunturi.com](mailto:service.international@tunturi.com)

[www.tunturi.com](http://www.tunturi.com)

## Belangrijke veiligheidsinstructie

### Voorzorgsmaatregelen

Dit fitnessapparaat is ontworpen voor optimale veiligheid. Neem echter bepaalde voorzorgsmaatregelen in acht wanneer u fitnessapparatuur gebruikt. Lees de volledige handleiding voordat u het apparaat gaat monteren of gebruiken. Let met name op de volgende veiligheidsinstructies:

- Houd kinderen en huisdieren te allen tijde uit de buurt van het apparaat. Laat kinderen NOOIT zonder toezicht in dezelfde ruimte als het apparaat.
- Het apparaat mag door slechts één persoon per keer worden gebruikt.
- Als de gebruiker last krijgt van duizeligheid, misselijkheid, pijn op de borst of enige andere abnormale symptomen, dient de oefening direct te worden gestaakt. NEEM ONMIDDELIJK CONTACT OP MET EEN ARTS.
- Plaats het apparaat op een vlak oppervlak. Gebruik het apparaat NIET buitenshuis of in de buurt van water.
- Houd handen uit de buurt van de bewegende delen.
- Draag tijdens de training altijd geschikte

sportkleding. Draag GEEN lange kamerjas of andere kleding die vast kan komen te zitten. Draag tijdens de oefeningen hardloop- of aerobicschoenen.

- Dit apparaat is alleen bedoeld voor het gebruik zoals beschreven in deze handleiding. Gebruik alleen accessoires aanbevolen door de fabrikant.
- Plaats geen scherpe objecten in de buurt van het apparaat.
- Gehandicapte of minder valide personen mogen het apparaat alleen gebruiken onder toezicht van een gekwalificeerde persoon of arts.
- Voer voordat u het apparaat gaat gebruiken strekoefeningen uit als warming-up.
- Gebruik het apparaat niet als het niet naar behoren functioneert.
- Tijdens oefeningen wordt de aanwezigheid van een spotter aangeraden.
- Steek de gewichtselector-pen niet in de platen wanneer de gewichtenkolom of de bovenste plaat in de hoogste positie staat.
- Controleer of de gewichtselector-pen helemaal in de gewichtplaten is gestoken.
- Gebruik nooit dumbbells of andere accessoires om de weerstand te verhogen. Gebruik alleen gewichtplaten geleverd door de fabrikant.
- Dit apparaat is ontworpen en bedoeld voor thuisgebruik en niet voor commerciële doeleinden.

### Waarschuwing:

Raadpleeg eerst uw arts voordat u aan een Trainingsprogramma begint. Dit is met name belangrijk voor personen Ouder dan 35 of personen met bepaalde gezondheidsklachten. Lees alle Instructies voordat u fitnessapparatuur gebruikt. Tunturi New fitness bv is Niet aansprakelijk voor persoonlijk letsel of schade aan eigendommen Veroorzaakt door of ten gevolge van het gebruik van dit product.

### Bewaar deze instructies goed!

## Belangrijke montage-informatie

Gereedschap benodigd voor het monteren van de bank: twee verstelbare steeksleutels en een set inbussleutels.

### ⚠ LET OP

- Voorkom letsel en monteer dit apparaat met twee of meer personen.
- Gebruik slotbouten voor de vierkante gaten in de te monteren componenten. Gebruik alleen aan het einde van de slotbout een onderlegging.
- Gebruik inbusbouten of zeskantbouten in de ronde gaten in de te monteren componenten.
- Wacht tot alle bouten zijn gemonteerd voordat u ze vastdraait. Draai een bout niet direct naar het plaatsen vast.

## Assemblage

(Fig. A)

### ⚠ WAARSCHUWING

- Monteer het apparaat in de aangegeven volgorde.
- Draag en verplaats het toestel met minstens twee personen.

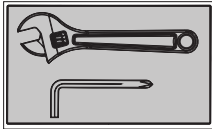
### ⚠ VOORZICHTIG

- Zet het toestel op een stevige, vlakke ondergrond.
- Zorg voor een beschermende laag onder het toestel om schade aan het vloeroppervlak te voorkomen.
- Houd rondom de apparatuur ten minste een bewegingsruimte van 100 cm.
- Raadpleeg de illustraties voor de juiste assemblage van het toestel.

### ⚠ LET OP

- Bewaar, nadat u het apparaat in elkaar hebt gezet, het gereedschap dat bij dit product is geleverd. Dit met het oog op service op een later tijdstip.

## Bouten en moeren aandraaien

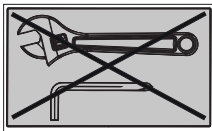


Draai de bouten en moeren pas aan nadat alle componenten zijn gemonteerd.



### LET OP

- Componenten die moeten kunnen scharnieren, mogen niet te strak worden aangedraaid.
- Alle scharnierende componenten moeten vrij kunnen bewegen.



Draai de bouten en moeren in deze stap niet aan.

## Gebruik

### Gebruik van halterschijven

- Let er bij het gebruik van halterschijven op dat u voldoende borgsteunen plaatst om de halterschijven te allen tijde op hun plek te houden.
- Zorg bij het gebruik van halterschijven op een halterstang voor een evenwichtige verdeling van schijven links en rechts.
- Overschrijd in geen enkel geval het maximale gewicht van de halterstang of -bank. Houd hierbij ook rekening met uw eigen lichaamsgewicht.

### Opbergstangen voor halterschijven

- Let er bij het gebruik van opbergstangen voor halterschijven op dat u voldoende borgsteunen plaatst om de halterschijven te allen tijde op hun plek te houden.
- Zorg bij het opbergen van halterschijven op opbergstangen voor een evenwichtige verdeling van schijven links en rechts.
- Overschrijd in geen enkel geval het maximale gewicht van de opbergstang voor halterschijven.

## Afstellen van de rugleuning

(Fig. Use #2)

- Kantel de rugleuning licht en schuif de stelstang uit de tandplaten.
- Zet de rugleuning op de gewenste positie.
- Plaats de stelstang in de tandplaten om deze vast te zetten.

## Afstellen van de arm curl pad

### hoogte.

(Fig. Use #7)

- Trek aan de verstelknop.
- Zet de arm curl pad in de gewenste positie.
- Laat de verstelknop los.



### WAARSCHUWING

- Laat een halterstang nooit onbeheerd op de spotters achter.

## Richtlijnen voor oefeningen

### Spierontwikkeling en

### gewichtstoename

In tegenstelling tot aerobicoefeningen, waarbij de nadruk ligt op uithoudingsvermogen, zijn anaerobicsoefeningen gericht op krachttraining. Wanneer u uw spieren traint, neemt u mogelijk iets toe in gewicht. Tijdens het ontwikkelen van spiermassa past uw lichaam zich aan de belasting aan. U kunt uw voedingspatroon wijzigen en bijvoorbeeld extra vlees, vis en groenten toevoegen. Deze voedingsmiddelen helpen bij het herstel van de spieren en vullen belangrijke voedingsstoffen aan na een zware workout.

### Spijkracht en

### uithoudingsvermogen

Een oefening levert het beste resultaat op als u zich aan een trainingsprogramma houdt waarbij alle grote spiergroepen met dezelfde intensiteit worden getraind. Als u uw spierkracht wilt verbeteren, houdt u zich aan dit principe: het verhogen van de weerstand in combinatie met

hetzelfde aantal herhalingen van een oefening leidt tot sterkere spieren. Als u uw lichamelijke conditie wilt verbeteren, houdt u zich aan dit principe: het verlagen van de weerstand en het verhogen van het aantal herhalingen van een oefening leidt tot een betere lichamelijke conditie.

Wanneer een oefening makkelijk wordt voor u, kunt u de weerstand, het aantal herhalingen of de snelheid verhogen waarmee u de oefening uitvoert. U hoeft niet alle drie de variabelen te veranderen. Stel u traint met 10 kg. en voert de oefening tien keer uit in drie minuten. Wanneer dit te makkelijk wordt, kunt u het gewicht bijvoorbeeld verhogen naar 12 kg. voor hetzelfde aantal oefeningen in dezelfde tijd. Het tillen van meer gewicht in minder tijd vergroot doorgaans de spierkracht. Als u niet alleen uw spierkracht maar ook uw uithoudingsvermogen wilt verbeteren, wordt u aangeraden elke oefening 15 tot 20 keer uit te voeren per set.

## Trainingsintensiteit

---

Hoe hard u begint met trainen, is afhankelijk van uw algehele conditie. U kunt de pijn die u ervaart, verminderen door uw spieren minder te belasten en minder sets uit te voeren. Voorkom letsel door geleidelijk aan te beginnen met een trainingsprogramma en de belasting aan te passen aan uw algehele conditie. Wanneer uw conditie verbetert, kunt u de druk opvoeren. Spierpijn is heel gewoon, vooral wanneer u pas net begint met trainen. Als u echter lang last hebt van spierpijn, moet u het programma mogelijk aanpassen. Uw spieren zullen uiteindelijk gewend raken aan de belasting.

## Beginnen met een krachttraining

### programma

---

#### Warming-up

Voordat u begint met een krachttraining, moet u vijf tot tien minuten strekoefeningen en andere lichte oefeningen doen. Zo wordt de bloedsomloop verbeterd, wordt uw lichaamstemperatuur verhoogd en wordt meer zuurstof naar uw spieren getransporteerd als voorbereiding op de zwaardere oefeningen.

#### Workout

Houd bij elke workout in gedachten dat angaanhoudende spierpijn ongewenst is en kan betekenen dat u een blessure hebt opgelopen.

#### Cooling-down

Doe aan het eind van elke workout vijf tot tien minuten lang langzame strekoefeningen. Strek nooit zo ver dat het pijn doet. In deze fase van de training kunnen uw spieren ontspannen. Het wordt aangeraden in een volledig trainingsprogramma ook twee of drie dagen aerobicsoefeningen te doen naast de krachttraining.

#### Water drinken

Uw lichaam kan alleen goed functioneren als u voldoende water drinkt. Drink dus meer water wanneer u traint. Het water dat u drinkt, wordt namelijk uitgescheiden via het zweet dat het lichaam produceert om koel te blijven tijdens het trainen. Het water dat u zo verliest, moet worden aangevuld zodat de spieren goed kunnen herstellen.

#### Rustdag

Het nemen van een rustdag eenmaal per week is belangrijk omdat uw lichaam zo de kans krijgt om te herstellen. Het constant trainen van de spieren kan leiden tot overbelasting.

## Zorg en onderhoud

---

- Smeer bewegende onderdelen regelmatig met wd-40 of lichte olie.
- Inspecteer en draai alle onderdelen aan voordat u het apparaat gebruikt.
- Maak het apparaat schoon met een doek bevochtigd met een mild, niet-schurend schoonmaakmiddel. Gebruik geen oplosmiddelen.
- Controleer het apparaat regelmatig op tekenen van slijtage of beschadiging.
- Vervang defecte componenten direct en/of stel het apparaat buiten gebruik tot het is gerepareerd.
- Indien het apparaat niet regelmatig wordt gecontroleerd, kan het gebruik ervan onveilig worden.

## Aanvullende informatie

### Afvoeren van verpakkingsmateriaal

Overheids-richtlijnen geven aan dat we de hoeveelheid afvalmateriaal afgevoerd naar stortplaatsen moeten verminderen. Daarom vragen we u al het afvalmateriaal op verantwoordelijke wijze af te voeren naar openbare recycling-centra.

### Verrwijdering aan het eind van de levensduur.

We hopen dat u jarenlang plezier hebt van uw fitnessapparaat. Er komt echter een moment waarop het fitnessapparaat het eind van de bruikbare levensduur heeft bereikt. Onder de Europese AEEA-wetgeving bent u verantwoordelijk voor het op de juiste wijze afvoeren van uw fitnessapparaat naar een erkend openbaar inzamelpunt.

## Beperkte garantie

Tunturi New Fitness garandeert dat dit product, bij normaal gebruik en onderhoud, vrij is van defecten in materiaal en fabricage voor een periode van twee jaar op het frame en één jaar op alle andere onderdelen en componenten na de datum van aankoop. Deze garantie geldt alleen voor de oorspronkelijke koper en geldt alleen voor thuisgebruik. De aansprakelijkheid van Tunturi New Fitness onder deze garantie is beperkt tot het vervangen van beschadigde of defecte onderdelen, zulks uitsluitend ter beoordeling door Tunturi New Fitness.

Alle retourzendingen moeten vooraf worden geautoriseerd door Tunturi New Fitness. Deze garantie is niet toepasbaar voor een product of schade aan een product ten gevolge van het transport, misbruik, verkeerd of oneigenlijk gebruik, eigen reparaties door de koper of voor producten gebruikt voor commerciële doeleinden of verhuurdoeleinden.

Enkel de bovengenoemde specifieke garanties zijn goedgekeurd door Tunturi New Fitness.

Tunturi NewFitness is niet verantwoordelijk of aansprakelijk voor bijzondere, indirecte of gevolgschade die voortkomt uit of verband houdt met het gebruik of de prestaties van het

product of andere schade met betrekking tot verlies van eigendom of kapitaal, winstderving of inkomstenverlies, gebruiks- of genotsderving, kosten voor verwijdering, installatie of andere gevolgschade van welke aard dan ook.

Bovenbedoelde garantie komt in de plaats van alle overige garanties. Het bereik en de duur van alle impliciete garanties van verkoopbaarheid en geschiktheid voor een bepaald doel zijn beperkt tot de voorwaarden beschreven in dit document.

Uw wettelijke rechten worden niet beïnvloed door deze voorwaarden.

## Vervangende onderdelen bestellen

Neem voor het bestellen van vervangende onderdelen contact op met onze klantenservice: Maandag t/m vrijdag van 9:00 tot 17:00 uur gmt +1 uur.  
E-mailadres: [service.international@tunturi.com](mailto:service.international@tunturi.com)

Houd de volgende informatie bij de hand wanneer u vervangende onderdelen bestelt:

- Model
- Omschrijving van onderdelen
- Onderdeelnummer
- Datum van aankoop

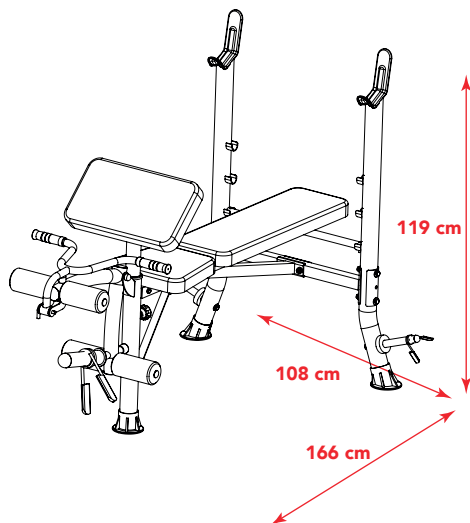
Ga voor contactgegevens en producthandleidingen in andere talen naar onze websites:

## Maximale belasting en afmetingen

---

(Fig. W#1)

- Maximum belasting gewicht : 150 kg.
- Afmetingen na montage: 166 x 108 x 119 cm.



## Disclaimer

---

© 2018 Tunturi New Fitness BV  
Alle rechten voorbehouden.

Het product en de handleiding zijn aan veranderingen onderhevig. Specificaties kunnen zonder verdere kennisgeving worden veranderd.



## Italiano

Questo manuale in lingua italiana è una traduzione dalla versione originale del manuale in lingua inglese.

Non si possono trarre diritti di traduzione dalla presente traduzione.

## Indice

### Prima di iniziare ..... 33

### Avviso importante sulla sicurezza... 33

### Informazioni importanti

### sull'assemblaggio ..... 34

Assemblaggio 34

Serrare dadi e bulloni 35

### Utilizzo..... 35

Utilizzo dei dischi 35

Barre di stoccaggio per i dischi 35

Regolazione dell'inclinazione dello schienale 35

Regolazione dell'altezza del cuscinetto per

piegamenti delle braccia 35

### Linee guida per gli esercizi ..... 35

Sviluppo muscolare e aumento di peso 35

Forza e resistenza muscolare 36

Allenamento dell'intensità 36

Inizio di un programma di sviluppo della forza. 36

### Cura e manutenzione ..... 37

Informazioni aggiuntive 37

### Garanzia limitata..... 37

### Ordini di parti di ricambio ..... 37

### Capacità peso e dimensioni ..... 38

### Dichiarazione di non responsabilità 38

## Prima di iniziare

Grazie per avere scelto lo

Sviluppatore per glutei e cosce Tunturi WB40 Compact Width Weight Bench..

Per la propria sicurezza e per il proprio vantaggio, leggere attentamente questo manuale prima di utilizzare l'attrezzatura. Ci impegniamo a garantire una completa soddisfazione del cliente. Per eventuali domande, o nel caso in cui siano presenti parti mancanti o danneggiate, garantiamo al cliente una soddisfazione completa tramite assistenza diretta.

Per evitare ritardi non necessari, contattare il nostro reparto servizio clienti, dal lunedì al venerdì dalle 9.00 alle 17.00 GMT+1.

Tunturi New Fitness B.V.

E mail: [service.international@tunturi.com](mailto:service.international@tunturi.com)

[www.tunturi.com](http://www.tunturi.com)

## Avviso importante sulla sicurezza

Questa attrezzatura per l'esercizio fisico è stata progettata per garantire una sicurezza ottimale.

Tuttavia, è necessario applicare alcune precauzioni ogni volta che si utilizza un'attrezzatura per l'esercizio fisico. Assicurarsi di leggere interamente il manuale prima di assemblare o utilizzare l'attrezzatura. In particolare, tenere presente le seguenti precauzioni di sicurezza:

- Mantenere i bambini e gli animali sempre lontani dall'attrezzatura. NON lasciare i bambini senza sorveglianza nella stanza in cui è presente l'attrezzatura.
- L'attrezzatura deve essere utilizzata da una sola persona alla volta.
- Se l'utente presenta stordimenti, nausea, dolori al petto o qualsiasi altro sintomo anomalo, TERMINARE l'allenamento immediatamente. CONSULTARE IMMEDIATAMENTE UN MEDICO.  
Posizionare l'attrezzatura in una superficie pulita e piana. NON usare l'attrezzatura vicino all'acqua o all'esterno.
- Mantenere le mani lontane da tutte parti in movimento.

- Indossare sempre un abbigliamento appropriato per l'esercizio fisico durante l'allenamento. NON indossare accappatoi o altro tipo di abbigliamento che potrebbe impigliarsi nell'attrezzatura. Quando si utilizza l'attrezzatura è richiesto l'uso di scarpe da corsa o aerobica.
- Utilizzare l'attrezzatura solo per lo scopo previsto come descritto in questo manuale. NON utilizzare allegati non consigliati dal produttore.
- Non posizionare oggetti appuntiti vicino all'attrezzatura.
- I disabili non devono usare l'attrezzatura.
- Prima di utilizzare l'attrezzatura per l'allenamento, eseguire sempre esercizi di stretching per il riscaldamento.
- Non utilizzare mai l'attrezzatura se non funziona correttamente.
- Durante la sessione di allenamento è consigliata la presenza di un osservatore.
- Questa attrezzatura è stata progettata e pensata solo per l'uso in casa e da parte del consumatore, non per l'uso commerciale.

**Avviso:**

Prima di iniziare qualsiasi programma di allenamento, consultare il proprio medico. Ciò risulta particolarmente importante per gli individui di età superiore ai 35 anni o per le persone con problemi di salute preesistenti. Leggere tutte le istruzioni prima di utilizzare una qualsiasi attrezzatura per l'allenamento. Tunturi New fitness bv. non si assume alcuna responsabilità per ferite personali o per danni alle proprietà causati dal prodotto o dal suo utilizzo.

**Conservare queste istruzioni!**

**Informazioni importanti  
sull'assemblaggio**

Strumenti richiesti per assemblare la panca:  
Due chiavi regolabili.



**NOTA**

- È fortemente consigliato che l'assemblaggio di questa attrezzatura venga effettuato da due o più persone per evitare eventuali ferite.
- Assicurarsi di inserire bulloni a testa tonda attraverso i fori QUADRATI nei componenti da assemblare. Collegare le rondelle solo alla parte finale dei bulloni a testa tonda.
- Assicurarsi di inserire bulloni Allen o a testa esagonale attraverso i fori ROTONDI nei componenti da assemblare.
- Attendere sempre che tutti i bulloni vengano assemblati nella panca prima di fissarli. Non fissare ciascun bullone non appena installato.

**Assemblaggio**

(Fig. A)



**ATTENZIONE**

- Assemblare l'apparecchio nell'ordine indicato.
- Per trasportare e spostare l'apparecchio sono necessarie almeno due persone.



**AVVISO**

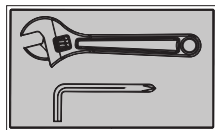
- Collocare l'apparecchio su una superficie stabile e in piano.
- Collocare l'apparecchio su una base protettiva per evitare danni alla superficie del pavimento.
- Mantenere uno spazio libero di almeno 1 m intorno all'apparecchio.
- Consultare le illustrazioni per il corretto assemblaggio dell'apparecchio.



**NOTA**

- Conservare tutti gli utensili forniti con questo prodotto, dopo aver completato il montaggio del prodotto, per eventuali necessità di assistenza in futuro.

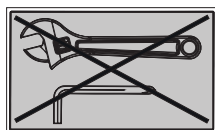
## Serrare dadi e bulloni



Fissare saldamente dadi e bulloni una volta che tutti i componenti sono stati assemblati nei passaggi correnti e precedenti.

### ⚠ NOTA

- Non serrare eccessivamente qualsiasi componente avente la funzione di perno.
- Assicurarvi che tutti i componenti siano in grado di muoversi liberamente.



Non fissare tutti i dadi e i bulloni in questo passaggio.

## Utilizzo

### Utilizzo dei dischi

- Se si utilizzano dei dischi, accertarsi di utilizzare dei supporti di bloccaggio sufficienti per bloccarli bene prima dell'uso.
- Se si utilizzano dei dischi su una barra Barbell, accertarsi di ripartirli equamente sul lato destro e sinistro.
- Non superare mai la capacità di peso massima della barra Barbell e/o della panca. Bisogna anche considerare il peso del proprio corpo.

### Barre di stoccaggio per i dischi

- Se si utilizzano delle barre di stoccaggio per i dischi, accertarsi di utilizzare dei supporti di bloccaggio sufficienti per bloccare sempre i dischi prima dell'uso.
- Se si ripongono i dischi sulle barre di stoccaggio, accertarsi di ripartirli equamente sul lato destro e sinistro.
- Non superare mai la capacità di peso massima della barra di stoccaggio per i dischi.

## Regolazione dell'inclinazione dello schienale

(Fig. Use #2)

- Inclinare leggermente lo schienale e inclinare la barra di regolazione fuori dalle piastre dentate.
- Spostare lo schienale nella posizione desiderata.
- Posizionare la barra di regolazione nelle piastre dentate per bloccarla.

## Regolazione dell'altezza del cuscinetto per piegamenti delle braccia

(Fig. Use #7)

- Tirare la manopola di regolazione.
- Spostare il cuscinetto per piegamenti delle braccia nella posizione richiesta.
- Rilasciare la manopola di regolazione.

### ⚠ AVVISO

- Non lasciare mai una barra Barbell non bloccata sui supporti.

## Linee guida per gli esercizi

### Sviluppo muscolare e aumento di peso

A differenza degli esercizi aerobici, che enfatizzano l'allenamento alla resistenza, gli esercizi anaerobici si focalizzano sull'allenamento della forza. Durante lo sviluppo delle dimensioni e della forza dei muscoli si può verificare un graduale aumento di peso. Mentre si sviluppa la massa muscolare, il corpo si adatta allo stress ricevuto. È possibile modificare la propria dieta includendo cibo come carne, pesce e verdura. Questo cibo consente il recupero dei muscoli e il reintegro di importanti nutrienti dopo un allenamento intenso.

## Forza e resistenza muscolare

---

Per ottenere i vantaggi migliori dagli esercizi, è importante sviluppare un programma di esercizi che consenta di far lavorare in modo equo tutti i principali gruppi di muscoli.

Per aumentare la forza dei muscoli, seguire questo principio:

L'aumento della resistenza e il mantenimento del numero di ripetizioni di un esercizio comporta un aumento della forza muscolare.

Per tonificare il corpo, seguire questo principio: La diminuzione della resistenza e l'aumento del numero di ripetizioni di un esercizio comporta un aumento del tono muscolare.

Una volta che ci si trova a proprio agio con un esercizio, è possibile modificare la resistenza, il numero di ripetizioni o la velocità di esecuzione dell'esercizio. Non è necessario cambiare tutte e tre le variabili. Facciamo l'esempio di un allenamento con 10 kg e con l'esecuzione dell'esercizio per 10 volte in 3 minuti. Quando l'esercizio diventa troppo facile, si potrebbe decidere di iniziare a sollevare 12 kg per lo stesso numero di ripetizioni e nello stesso periodo di tempo. Il sollevamento di un peso maggiore per un tempo minore spesso sviluppa forza muscolare. Per ottenere sia forza che resistenza muscolare, si consiglia di eseguire ciascun esercizio con un numero di ripetizioni da 15 a 20 per serie.

## Allenamento dell'intensità

---

L'intensità dell'allenamento dipende dal proprio livello di fitness complessivo. L'eventuale dolore provato può essere diminuito riducendo il carico sui muscoli ed eseguendo un numero minore di serie.

Per evitare ferite, è necessario lavorare in modo graduale a un programma di esercizi e definire il carico per il proprio livello di forma individuale. Il carico deve essere aumentato assieme all'aumento del livello di forma.

Il dolore muscolare è abbastanza comune, specialmente quando si inizia per la prima volta a eseguire gli esercizi. Se il dolore continua per un lungo periodo, potrebbe essere necessario cambiare programma. Dopo un po', il proprio sistema muscolare si abituerà alla sollecitazione e allo sforzo che riceve.

## Inizio di un programma di sviluppo della forza

---

### Riscaldamento

Per iniziare ad allenare la forza, è importante effettuare stretching ed eseguire esercizi leggeri per un periodo da 5 a 10 minuti. Ciò consente di preparare il corpo all'esecuzione di esercizi più intensi aumentando la circolazione, aumentando la temperatura corporea e sviluppando più ossigeno nei muscoli.

### Allenamento

Per ciascun allenamento è importante ricordare che non è desiderabile la presenza di un dolore muscolare prolungato, poiché ciò potrebbe significare la presenza di una lesione.

### Raffreddamento

Al termine di ciascun allenamento, eseguire esercizi di stretching lenti per 5 - 10 minuti. Eseguire ciascun esercizio di stretching solo per l'intensità sopportata. Ciò consente ai propri muscoli di rilassarsi dopo l'allenamento.

Per ottenere un programma di allenamento totale si consiglia inoltre di eseguire da 2 a 3 giorni di esercizi aerobici in aggiunta all'allenamento della forza.

### Assunzione di acqua

Per un funzionamento ottimale, è necessario che il corpo venga idratato in modo corretto. Durante gli esercizi è necessario aumentare l'assunzione di fluidi. Il motivo è che l'acqua assunta uscirà dal sistema attraverso il meccanismo di sudorazione che raffredda il corpo durante gli esercizi. L'acqua persa attraverso gli esercizi deve essere sostituita per consentire un recupero corretto dei muscoli.

### Giorno di riposo

Anche se si pensa che potrebbe non essere necessario, prendersi un giorno di riposo almeno una volta alla settimana è importante perché offre al corpo la possibilità di risanarsi. Un allenamento continuo dei muscoli comporterà un sovrallenamento che nel lungo periodo non porterà vantaggi.

## Cura e manutenzione

- Lubrificare periodicamente le parti in movimento con WD-40 o olio leggero.
- Ispezionare e fissare tutte le parti prima di usare l'attrezzatura.
- L'attrezzatura può essere pulita utilizzando un panno umido e un detergente lieve non abrasivo. NON utilizzare solventi.
- Esaminare regolarmente l'attrezzatura per rilevare la presenza di segni di danneggiamento o usura.
- Sostituire immediatamente i componenti difettosi e/o evitare di utilizzare l'attrezzatura finché non sarà riparata.
- Se l'attrezzatura non viene esaminata regolarmente, ciò potrebbe influire sul livello di sicurezza.

## Informazioni aggiuntive

### Smaltimento dell'imballo

Le linee guide governative chiedono di ridurre la quantità di rifiuti smaltiti nelle discariche. Per questo vi chiediamo di smaltire in modo responsabile tutti i rifiuti d'imballo presso dei centri di riciclaggio pubblici.

### Smaltimento a fine vita

Noi di Tunturi speriamo che possiate godervi molti anni di piacevole uso dal nostro fitness trainer. Tuttavia, arriverà il momento quando il vostro fitness trainer arriverà alla fine della sua vita utile. Secondo la Legislazione Europea WEEE voi siete responsabili per uno smaltimento appropriato del vostro fitness trainer presso una struttura di raccolta pubblica autorizzata.

## Garanzia limitata

Tunturi New Fitness garantisce che questo prodotto è privo di difetti di costruzione e materiali, in base all'uso e alle condizioni di servizio normali, per un periodo di due anni per il telaio e di un anno per tutte le altre parti e componenti dalla data di acquisto. Questa garanzia si estende solo all'acquirente originale. L'obbligo di Tunturi New Fitness in base alla

presente Garanzia è limitato alla sostituzione di parti danneggiate o guaste a discrezione di Tunturi New Fitness.

Tutti i resi devono essere preventivamente autorizzati da Tunturi New Fitness. La presente garanzia non si estende ad alcun prodotto o danno a prodotto causato o attribuibile a danneggiamento per carico, abuso, cattivo utilizzo, uso improprio o anomalo, riparazioni autonome da parte dell'acquirente o a prodotti utilizzati per scopi commerciali o di noleggio. Tunturi New Fitness non autorizza alcuna altra garanzia oltre a quella indicata sopra.

Tunturi New Fitness non è responsabile né si assume alcun obbligo per danni indiretti, speciali o consequenziali derivanti dall'uso o dalle prestazioni del prodotto, o ad essi connessi, o altri danni in relazione a qualsiasi perdita economica, perdita di proprietà, perdita di entrate o profitti, perdita di godimento o uso, costo di rimozione, installazione o altri danni consequenziali o di qualsiasi altra natura.

La garanzia qui esposta sostituisce qualsiasi altra garanzia, mentre qualsiasi garanzia implicita di commerciabilità o idoneità per uno scopo particolare è limitata nel proprio ambito e durata ai termini qui indicati.

### Ciò non influisce sui propri diritti legali.

## Ordini di parti di ricambio

Per ordinare parti di ricambio, contattare il nostro reparto servizio clienti, dal lunedì al venerdì dalle 9.00 alle 17.00 GMT+1:

E mail: [service.international@tunturi.com](mailto:service.international@tunturi.com)

In fase di ordinazione di parti di ricambio, fornire le informazioni seguenti:

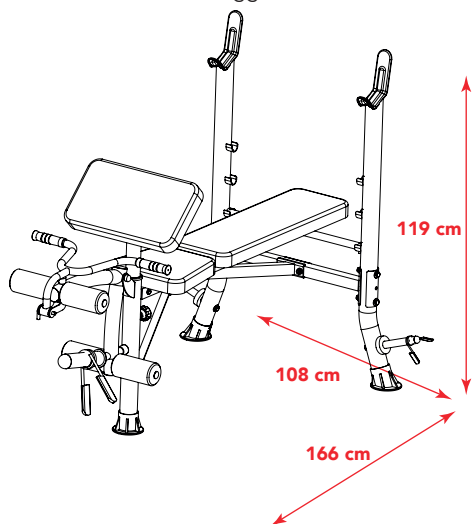
- Modello
- Descrizione delle parti
- Numero parte
- Data di acquisto

Ulteriori informazioni di contatto o manuali utente in altre lingue sono disponibili sul nostro sito Web.

## Capacità peso e dimensioni

(Fig. W#1)

- Peso massimo del carico : 150 kg.
- Dimensioni assemblaggio: 166 x 108 x 119 cm.



## Dichiarazione di non responsabilità

© 2018 Tunturi New Fitness BV  
Tutti i diritti riservati.

Il prodotto e il manuale sono soggetti a modifiche. Le specifiche possono essere modificate senza ulteriori avvisi.

## Español

Este manual español es una traducción del texto inglés. No se pueden derivar derechos de esta traducción. El texto original en inglés prevalecerá.

## Índice

**Antes de empezar ..... 39**

**Aviso importante de seguridad ..... 39**

### Información importante

**sobre montaje..... 40**

Montaje .... 40

Apriete de tuercas y tornillos 41

**Uso ..... 41**

Cómo usar las pesas planas 41

Soporte de almacenamiento para pesas planas  
41

Ajuste de la inclinación del respaldo 41

Ajuste del arm curl pad altura. 41

**Indicaciones para los ejercicios..... 41**

Fortalecimiento de los músculos y aumento de  
peso..... 41

Fuerza y resistencia de los músculos 42

Intensidad del entrenamiento 42

Inicio de un programa de fortalecimiento  
muscular ... 42

**Cuidado y mantenimiento ..... 43**

Información adicional 43

**Garantía limitada ..... 43**

**Pedido de piezas de recambio ..... 43**

### Peso máximo admisible y

**dimensiones..... 44**

**Descargo de responsabilidad ..... 44**

## Antes de empezar

Le agradecemos que haya optado por el banco de musculación estándar Tunturi WB40 Compact Width Weight Bench. Ara su seguridad y provecho, lea atentamente este manual antes de utilizar el equipo. Como distribuidores, mantenemos el compromiso de ofrecerle el máximo nivel de satisfacción en calidad de cliente. Si desea formular alguna pregunta u observa que alguna pieza está dañada o ausente, le garantizamos el nivel absoluto de satisfacción a través de una asistencia directa.

Para evitar retrasos innecesarios, póngase en contacto con nuestro Departamento de Asistencia al Cliente, de lunes a viernes entre 9:00 y 17:00 GMT + 1 hora.

Tunturi New Fitness B.V.

E mail: [service.international@tunturi.com](mailto:service.international@tunturi.com)

[www.tunturi.com](http://www.tunturi.com)

## Aviso importante de seguridad

Este equipo de fitness se ha fabricado para ofrecer un nivel óptimo de seguridad. Sin embargo, es preciso adoptar determinadas precauciones al manejar alguna pieza del equipo de fitness.

Asegúrese de leer el manual completo antes de instalar o de utilizar el equipo. En particular, tenga en cuenta las siguientes precauciones de seguridad:

- Mantenga a los niños y las mascotas alejados del equipo en todo momento. NO deje haya ningún niño desatendido en la sala donde se encuentra el equipo.
- Sólo se puede utilizar el equipo de uno en uno.
- Si el usuario siente mareo, náusea, dolor de pecho o cualquier otro síntoma anormal, DETENGA inmediatamente el ejercicio. PÓNGASE EN CONTACTO CON UN MÉDICO INMEDIATAMENTE.
- Sitúe el equipo en una superficie despejada y nivelada. NO utilice el equipo cerca del agua o en exteriores.

- Mantenga las manos lejos de todas las piezas móviles.
- Lleve siempre puesta ropa deportiva adecuada al utilizar el equipo. NO se ponga ropa ni prendas que puedan quedar atrapadas en el equipo. También es preciso llevar zapatillas de jogging o aeróbic al utilizar el equipo. Utilice el equipo exclusivamente con el fin para el que fue concebido y que se describe en este manual. NO utilice accesorios no recomendados por el fabricante.
- No deje ningún objeto afilado en torno al equipo.
- Las personas discapacitadas no deben utilizar el equipo.
- Antes de utilizar el equipo en una sesión, realice ejercicios de estiramiento para calentar adecuadamente.
- Nunca utilice el equipo si su funcionamiento no es el adecuado.
- Se recomienda que durante el ejercicio esté presente un observador.
- Este equipo se ha diseñado y concebido exclusivamente para uso doméstico y por el consumidor, no para uso comercial.

**Advertencia:**  
Antes de comenzar un programa de ejercicios, consulte a su médico. Esto es especialmente importante para personas de más de 35 años de edad o que hayan padecido previamente problemas de salud. Lea todas las instrucciones antes de utilizar cualquier equipo de fitness. Tunturi New Fitness bv no asume ninguna responsabilidad por las lesiones personales ni los daños sobre la propiedad provocados por el uso de este producto o que se deriven del mismo.

**Guarde estas instrucciones!**

## Información importante sobre montaje

Herramientas requeridas para el montaje del banco: dos llaves inglesas y llaves allen.

**NOTA**

- Se recomienda encarecidamente que el montaje de este equipo sea realizado por dos personas o más para evitar posibles lesiones.
- Asegúrese de que los tornillos de transporte se encuentran insertados en los orificios cuadrados de los componentes que se tienen que montar. Acople una arandela únicamente al extremo del tornillo de transporte.
- Use tornillos allen o tornillos de cabeza hexagonal insertados en el orificio circular de los componentes que se tienen que montar.
- Antes de apretar los tornillos, espere siempre a que se hayan instalado todos ellos en el banco. No apriete cada tornillo inmediatamente después de haberlo instalado.

## Montaje

(Fig. A)

**ADVERTENCIA**

- Monte la máquina en el orden indicado.
- Al menos dos personas deben transportar y mover la máquina.

**PRECAUCIÓN**

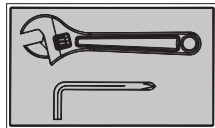
- Coloque la máquina sobre una superficie firme y nivelada.
- Coloque la máquina sobre una base protectora para evitar daños en la superficie del suelo.
- Deje unos 100 cm de espacio alrededor de la máquina.
- Consulte las ilustraciones para el correcto montaje de la máquina.

**NOTA**

- Guarde las herramientas suministradas con este producto una vez que haya completado el montaje del producto, para futuros fines de servicio.



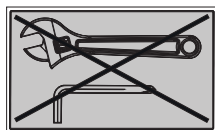
## Apriete de tuercas y tornillos



Apriete firmemente todos los tornillos y las tuercas cuando se hayan ensamblado todos los componentes correspondientes al paso actual y los anteriores.

### ⚠ NOTA

- No apriete en exceso ningún componente de funcionamiento pivotante.
- Asegúrese de que todos los componentes pivotantes pueden moverse con libertad.



No apriete todos los tornillos y las tuercas en este paso.

## Uso

### Cómo usar las pesas planas

- Cuando use las pesas planas, asegúrese primero de que utiliza suficientes soportes de cierre para que las pesas planas se queden fijas en todo momento.
- Cuando use pesas planas en una barra de pesas, asegúrese de que divide las pesas de forma uniforme entre el lado derecho e izquierdo.
- No exceda nunca la capacidad de peso máximo de la barra de pesas o el banco de musculación. Tenga en cuenta también su propio peso corporal.

### Soporte de almacenamiento para pesas planas

- Cuando utilice el soporte de almacenamiento para las pesas planas, asegúrese de que usa suficientes soportes de cierre para fijar las pesas planas en todo momento.
- Cuando guarde las pesas planas en soportes de almacenamiento, asegúrese de que divide las

pesas uniformemente entre el lado derecho e izquierdo.

- No exceda nunca la capacidad de peso máximo del soporte de almacenamiento de pesas.

## Ajuste de la inclinación del respaldo

### (Fig. Use #2)

- Tire de la perilla de ajuste.
- Mueva el respaldo a la posición deseada.
- Suelte el botón de ajuste.

## Ajuste del arm curl pad altura.

### (Fig. Use #7)

- Tire de la perilla de ajuste.
- Mover del arm curl pad a la posición deseada.
- Suelte el botón de ajuste.

### ⚠ ADVERTENCIA

- No deje nunca una barra de pesas sobre los soportes sin supervisión.

## Indicaciones para los ejercicios

### Fortalecimiento de los músculos y aumento de peso

A diferencia del ejercicio aeróbico, que se centra en el entrenamiento de resistencia, el ejercicio anaeróbico se basa en el entrenamiento de fuerza. Puede que se produzca un aumento gradual de peso a medida que aumenta el tamaño y la fuerza de los músculos. Al desarrollar masa muscular, su cuerpo se adapta a la tensión a la que se le ha sometido. Puede modificar la dieta incluyendo alimentos tales como carne, pescado y verduras. Esos alimentos facilitan la recuperación de los músculos y permiten reponer nutrientes importantes tras una sesión extenuante.

## **Fuerza y resistencia de los**

### **músculos**

---

Para aprovechar al máximo el entrenamiento, es importante que desarrolle un programa de ejercicios que le permita trabajar por igual todos los grupos musculares principales.

Para aumentar la fuerza de los músculos, siga este principio: incrementar la resistencia y mantener el número de repeticiones de un ejercicio da como resultado el aumento de la fuerza muscular. Para tonificar el cuerpo, siga este principio: reducir la resistencia y aumentar el número de repeticiones de un ejercicio da como resultado el aumento del tono corporal. Una vez que se sienta cómodo con un ejercicio, puede modificar la resistencia, el número de repeticiones o la velocidad con la que realiza el ejercicio.

No es necesario modificar las tres variables. Por ejemplo, supongamos que el ejercicio se realiza con

10 kg. y 10 repeticiones en 3 minutos. Cuando empieza a ser demasiado sencillo, se puede decidir el aumento a 12 kg. para el mismo número de repeticiones y en el mismo tiempo. La consecuencia más frecuente de elevar más peso menos veces es el desarrollo de la fuerza muscular. Para conseguir tanto fuerza como resistencia muscular, se recomienda ejecutar entre 15 y 20 repeticiones por serie de cada ejercicio.

### **Intensidad del entrenamiento**

---

La dureza con la que comience a entrenar depende de su estado de forma general. Se puede atenuar el dolor muscular que se siente reduciendo la carga a la que se someten los músculos y realizando menos series. Para evitar lesiones, es preciso proceder a un trabajo gradual según un programa de ejercicios y ajustar la carga al estado de forma particular. La carga debe aumentar a medida que mejora el nivel de forma. Es habitual sentir dolor muscular, especialmente cuando se empieza a ejecutar ejercicios. Si se siente dolor muscular durante mucho tiempo, puede ser conveniente cambiar el programa. Eventualmente, el sistema muscular se acostumbrará a la tensión y el esfuerzo a los que se somete.

## **Inicio de un programa de**

### **fortalecimiento muscular**

---

#### **Calentamiento**

Para comenzar un entrenamiento de fuerza, es importante calentar y realizar ejercicios suaves durante entre 5 y 10 minutos. De este modo se facilita la preparación del cuerpo para ejercicios más exigentes al aumentar la circulación, elevar la temperatura corporal y desarrollar la conducción de más oxígeno a los músculos.

#### **Sesión**

En cada sesión es preciso tener presente que no es deseable sentir dolor muscular durante mucho tiempo y que puede significar que se ha producido una lesión.

#### **Recuperación**

Al final de cada sesión, realice lentamente ejercicios de estiramiento durante entre 5 y 10 minutos. Ejecute cada estiramiento llegando solamente hasta donde pueda. Esta fase permite que los músculos se relajen tras el entrenamiento. Para que el programa de entrenamiento sea completo, también se recomienda dedicar 2 o 3 días a ejercicios aeróbicos de modo adicional al entrenamiento de fuerza.

#### **Ingesta de agua**

Para que el cuerpo funcione adecuadamente, es preciso hidratarlo de modo apropiado. Si está haciendo ejercicio, debe aumentar la ingesta de fluidos. La razón para ello es que el agua que toma abandonará el sistema a través del sudor que sirve para refrigerar el cuerpo cuando se hace ejercicio. Es preciso que reponga el agua que pierde debido al ejercicio de modo que los músculos se puedan recuperar adecuadamente.

#### **Día de descanso**

Aunque pueda no sentir necesidad de hacerlo, es importante tomar por lo menos un día de descanso a la semana para ofrecer al cuerpo la oportunidad de curarse por sí mismo del esfuerzo. El trabajo muscular continuado provocará un exceso de entrenamiento que no será beneficioso a largo plazo

## Cuidado y mantenimiento

- Lubrique periódicamente las piezas móviles con wd-40 u aceite ligero.
- Inspeccione y apriete todas las piezas antes de utilizar el equipo.
- El equipo se puede limpiar utilizando un paño húmedo y detergente neutro no abrasivo. No utilice disolventes.
- Examine con regularidad el equipo para verificar que no hay indicios de daños ni desgaste.
- Sustituya inmediatamente cualquier componente defectuoso y/o deje el equipo fuera de servicio hasta su reparación.
- Si no se realizan las tareas de inspección periódica, el nivel de seguridad del equipo puede verse afectado.

## Información adicional

### Eliminación de embalajes

Las pautas gubernamentales exigen reducir la cantidad de residuos que se depositan en los basureros. Por este motivo, le rogamos que deseche los embalajes de manera responsable en centros públicos de reciclaje.

### Eliminación al final de la vida útil

Desde Tunturi esperamos que disfrute de su equipo de entrenamiento durante muchos años. No obstante, llegará un momento en que éste llegue al final de su vida útil. Conforme a la Directiva WEEE (relativa a la gestión de residuos procedentes de equipos eléctricos y electrónicos) le corresponde a usted la responsabilidad de desechar adecuadamente su equipo de entrenamiento en un centro público autorizado de recogida.

## Garantía limitada

Tunturi New Fitness garantiza, en condiciones de uso normal y mantenimiento adecuado, la ausencia de defectos debidos a materiales o mano de obra en este producto durante un periodo de dos años en el bastidor y de un año en el resto de piezas y componentes, a partir de la fecha de compra. Esta garantía es

aplicable exclusivamente al comprador original. Las obligaciones de tunturi new fitness relativas a la aplicación de esta garantía se limitan a la sustitución de las piezas dañadas o averiadas, a decisión de Tunturi New Fitness.

Todas las devoluciones deben ser previamente autorizadas por Tunturi New Fitness. Esta garantía no es aplicable a los productos cuyo deterioro esté causado por, o se pueda atribuir a, daños por transporte, maltrato, uso incorrecto, inadecuado o anormal, reparaciones realizadas por los propios compradores o en productos empleados para fines comerciales o de alquiler.

Aparte de la garantía que se acaba de indicar específicamente, ninguna otra está autorizada por Tunturi New Fitness.

Tunturi New Fitness no podrá ser considerado responsable en caso de daños indirectos, especiales o consecuentes derivados de, o relacionados con, el uso o el funcionamiento del producto u otros daños relativos a pérdidas económicas, pérdida de propiedades, pérdida de ingresos o beneficios, pérdida de posibilidad de uso o disfrute, coste de retirada, instalación u otros daños consecuentes cualquiera que sea su naturaleza.

La garantía que figura a continuación sustituye a cualesquiera otras, y cualquier garantía implícita de comercialización o idoneidad para un propósito particular se limitará en su alcance y duración a los términos aquí establecidos.

En ningún caso se verán afectados sus derechos legales.

## Pedido de piezas de recambio

Las piezas de recambio se pueden pedir poniéndose en contacto con nuestro departamento

De asistencia al cliente, de lunes a viernes entre 9:00 y 17:00 gmt + 1 hora:

Correo electrónico: [service.international@tunturi.com](mailto:service.international@tunturi.com)

Al realizar el pedido de piezas de recambio, indique la siguiente información:

- Modelo
- Descripción de las piezas
- Número de las piezas
- Fecha de la compra

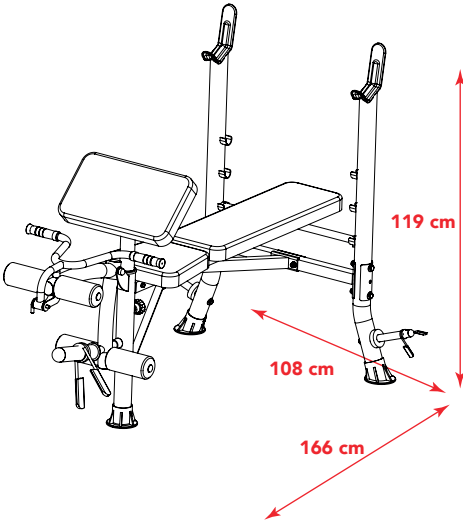
Información de contacto y manuales de los productos en otros idiomas se pueden encontrar en nuestros sitios web:

## **Peso máximo admisible y dimensiones**

---

*(Fig. W#1)*

- Peso de la carga máxima : 150 kg.
- Dimensiones montado: 166 x 108 x 119 cm.



## **Descargo de responsabilidad**

---

© 2018 Tunturi New Fitness BV  
Reservados todos los derechos.

El producto y el manual están sujetos a cambios.  
Las especificaciones pueden cambiarse sin previo aviso.

## På svenska

Denna handbok är en översättning av den engelska texten. Vi förbehåller oss rätten till eventuella översättningsfel. Den engelska originaltexten råder.

## Index

**Innan du börjar ..... 45**

**Viktigt säkerhetsmeddelande ..... 45**

**Viktig monteringsinformation ..... 46**

Montering 46

Åtdragning av skruvar och muttrar 46

**Användning ..... 46**

Att använda viktskivor 46

Förvaringsstång för viktskivor 47

Justera ryggstödet lutning 47

Justering av armböjningsstödet höjd 47

**Riktlinjer för träning ..... 47**

Bygga muskler och gå upp i vikt 47

Muskelstyrka och uthållighet 47

Träningsintensitet 47

Börja ett styrketränningsprogram 47

**Skötsel och underhåll ..... 48**

Ytterligare information 48

**Begränsad garanti ..... 48**

**Beställning av reservdelar ..... 49**

**Viktkapacitet och dimension ..... 49**

**Friskrivning ..... 49**

## Innan du börjar

Tack för att du har valt

Tunturi WB40 Compact Width Weight Bench.

För din egen säkerhet och nytta ska du läsa denna bruksanvisning noga innan du använder utrustningen. Vi är fast beslutna att leverera fullständig kundnöjdhet. Om du har några frågor eller upptäcker att det finns saknade eller skadade delar så garanterar vi dig fullständig tillfredsställelse genom hjälp direkt.

För att undvika onödiga förseningar, vänligen kontakta vår kundtjänstavdelning måndag till fredag 09:00 – 17:00 GMT + 1 timme.

Tunturi New Fitness B.V.

E-post: [service.international@tunturi.com](mailto:service.international@tunturi.com)

[www.tunturi.com](http://www.tunturi.com)

## Viktigt

### säkerhetsmeddelande

Denna utrustning är konstruerad för optimal säkerhet. Vissa försiktighetsåtgärder gäller dock när du använder träningsutrustning. Var noga med att läsa hela bruksanvisningen innan du monterar eller använder din utrustning. Observera särskilt följande säkerhetsåtgärder:

- Håll alltid barn och husdjur borta från utrustningen. Lämna INTE barn obehövade i samma rum som utrustningen.
- Endast en person åt gången ska använda utrustningen.
- STOPPA OMEDELBART träningspasset om du som användare upplever yrsel, illamående, bröstsmärta eller andra onormala symptom. KONTAKTA OMEDELBART LÄKARE. Placera utrustningen på en fri, jämn yta. Använd INTE utrustningen nära vatten eller utomhus.
- Håll händerna borta från alla rörliga delar.
- Bär alltid lämplig träningskläder när du tränar. Använd INTE badrock eller annan klädsel som kan fastna i utrustningen. Löpar- eller träningskor är också nödvändiga vid användning av utrustningen. Använd endast utrustningen för det avsedda ändamålet och enligt beskrivningen i den här bruksanvisningen. Använd INTE tillbehör som inte rekommenderas av tillverkaren.

- Placera aldrig skarpa föremål i närheten av utrustningen.
- Handikappade personer bör inte använda utrustningen.
- Utför alltid stretchövningar för att värma upp ordentligt innan du använder utrustningen för att träna.
- Använd aldrig utrustningen om den inte fungerar korrekt.
- En medföljare rekommenderas vid träning.
- Denna utrustning är endast konstruerad och avsedd för hemma- och konsumentanvändning, inte för kommersiellt bruk.

### Varning:

Rådfråga din läkare innan du börjar med ett träningsprogram. Detta är särskilt viktigt för personer över 35 års ålder eller personer som har hälsoproblem sedan tidigare. Läs alla instruktioner innan du använder någon träningsutrustning. Tunturi New fitness bv. påtar sig inget ansvar för personskador eller egendomsskador som uppstår av eller vid användning av denna produkt.

### Spara dessa instruktioner!

## Viktig monteringsinformation

Verktyg som behövs för montering av bänken:  
Två skiftnycklar.

### ⚠ OBS

- För att undvika risken för personskada rekommenderar vi starkt att utrustningen monteras av två eller fler personer.
- Säkerställ att vagnsbultar används i de FYRKANTIGA hålen på komponenter som ska monteras. Fäst endast brickor på vagnsbultens ände.
- Använd insexskruvar eller sexkantbultar i de RUNDA hålen på komponenter som ska monteras.
- Vänta alltid tills samtliga skruvar är monterade på bänken innan de dras åt. Dra inte åt varje skruv direkt efter att den installerats.

## Montering

(Fig. A)

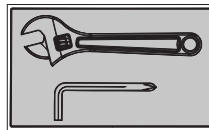
### ⚠ VARNING

- Montera utrustningen i angiven ordning.
- Var två om att bära och förflytta utrustningen.

### ⚠ OBS.

- Placera utrustningen på en stabil och jämn yta.
- Placera utrustningen på en skyddande grund för att förhindra att golvet skadas.
- Lämna åtminstone 100 cm fritt runt utrustningen.
- Illustrationerna visar det korrekta sättet att montera utrustningen.

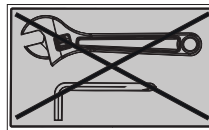
## Åtdragning av skruvar och muttrar



Dra åt alla skruvar och muttrar ordentligt efter att alla komponenter har monterats i nuvarande och tidigare steg.

### ⚠ OBS

- Dra inte åt en komponent som har en rörlig funktion för hårt.
- Se till att alla vridbara komponenter kan röra sig fritt.



Dra inte åt alla skruvar och muttrar i detta steg.

## Användning

### Att använda viktskivor

- När du använder viktskivor, se till att använda tillräckligt låsstöd för att säkra dina viktskivor hela tiden före användning.
- När du använder viktskivor på en skivstång, se till att du delar upp viktskivorna jämnt över vänster och höger sida.
- Överskrid aldrig maximal viktkapacitet för skivstången eller bänken. Tänk även på din egen kroppsvikt.

## Förvaringsstång för viktskivor

- När du använder förvaringsstång för viktskivor, se till att använda tillräckligt låsstöd för att säkra dina viktskivor hela tiden.
- När du förvarar viktskivor på förvaringsstänger, se till att du delar upp viktskivorna jämnt över vänster och höger sida.
- Överskrid aldrig maximal viktkapacitet för förvaringsstången för viktskivor.

## Justera ryggstödet lutning

(Bild Use #2)

- Luta ryggstödet något och böj ut justeringsstången från de tandade plattorna.
- Flytta ryggstödet till önskad position.
- Placera justeringsstången i de tandade plattorna för att säkra det.

## Justering av armböjningsstödet

### höjd

(Fig. Use #7)

- Dra ut justeringsknappen.
- Flytta armböjningsstödet till önskad position.
- Släpp justeringsknappen.

### ⚠ VARNING

- Lämna aldrig en skivstång förvarad på ställningarna utan uppsikt.

## Riktlinjer för träning

### Bygga muskler och gå upp i vikt

Till skillnad från aerobic-övningar, som betonar uthållighetsträning, fokuserar anaerobic-övningar på styrketräning. En gradvis viktökning kan uppstå när musklernas storlek och styrka byggs upp. Medan du utvecklar muskelmassan anpassar sig din kropp till de påfrestningar som läggs på den. Du kan modifiera din kost så att den inkluderar livsmedel som kött, fisk och grönsaker. Dessa livsmedel hjälper musklerna att återhämta sig och fyller på viktiga näringsämnen efter ett ansträngande träningspass.

## Muskelstyrka och uthållighet

För att uppnå största möjliga nytta av träningen är det viktigt att utveckla ett träningsprogram som gör att du kan arbeta igenom alla större muskelgrupper lika mycket.

Följ denna princip för att öka muskelstyrkan: Ett ökande motstånd och upprätthållande av antalet upprepningar av en övning resulterar i ökad muskelstyrka.

Följ denna princip för att forma din kropp: Ett minskande motstånd plus ett ökat antal upprepningar av en övning resulterar i ökad kroppsformning.

När du känner dig bekväm med en övning kan du ändra motståndet, antalet upprepningar eller den hastighet som du genomför övningen på. Det är inte nödvändigt att ändra alla de tre variablerna. Låt oss till exempel säga att du tränar vid 10 kg och utför övningen 10 gånger på 3 minuter. När detta blir för lätt kan du bestämma dig för att lyfta 12 kg samma antal upprepningar på samma tid. Att lyfta högre vikter färre gånger utvecklar ofta muskelstyrka. För att uppnå både muskelstyrka och uthållighet rekommenderas att du repeterar varje övning 15 till 20 gånger per träningspass.

## Träningsintensitet

Hur hårt du börjar träna beror på din övergripande konditionsnivå. Den eventuella ömhet du upplever kan minska genom att du minskar belastningen på dina muskler och genom att utföra färre pass.

För att undvika skada bör du gradvis arbeta dig in i ett träningsprogram och anpassa belastningen till din individuella konditionsnivå. Belastningen ska öka när din konditionsnivå ökar.

Träningsvärk är vanligt, särskilt när du först börjar träna. Om du har ont under en längre tid kan det vara dags att ändra ditt program. Så småningom blir ditt muskelsystem vant vid påfrestningarna och belastningarna.

## Börja ett styrketräningsprogram

### Uppvärmning

För att börja styrketräningen är det viktigt att stretcha och utföra lättare övningar under 5 till 10 minuter. Detta hjälper till att förbereda kroppen på mer ansträngande övningar genom att öka

irkulationen, höja din kroppstemperatur och utveckla mer syre till dina muskler.

## Träning

Vid varje träningspass måste man komma ihåg att muskelvärk som håller i sig lång tid i inte är önskvärt och kan innebära att en skada har uppstått.

## Varva ned

Utför långsamma stretchövningar under 5 till 10 minuter vid slutet av varje träningspass. Vila i varje sträckning och gå bara så långt du kan. Det här steget gör att dina muskler kan varva ner efter träningen.

För ett fullständigt träningsprogram rekommenderas också att 2 till 3 dagar aerobic-träning genomförs utöver styrketräningen.

## Dricka vatten

För att kroppen ska fungera korrekt måste den vara ordentligt hydrerad. Om du tränar ska du öka ditt vätskeintag. Anledningen till detta är att vattnet du tar in lämnar ditt system genom svettningssystemet som kyler din kropp under träningen. Vattnet du förlorar genom träning måste ersättas så att musklerna kan återhämta sig ordentligt.

## Vilodag

Även om du kanske inte känner för det så är det viktigt att du tar en vilodag minst en gång i veckan, eftersom det ger din kropp en chans att läka sig själv. Kontinuerligt arbete med dina muskler resulterar i överträning som inte kommer att vara till nytta på lång sikt.

## Skötsel och underhåll

- Smörj rörliga delar regelbundet med WD-40 eller lätt olja.
- Kontrollera och dra åt alla delar innan utrustningen används.
- Utrustningen kan rengöras med en fuktig trasa och ett mildt rengöringsmedel. ANVÄND INTE lösningsmedel.
- Kontrollera regelbundet om utrustningen uppvisar tecken på skador eller slitage.
- Byt alla defekta komponenter omedelbart och/eller använd inte utrustningen innan den är reparerad.

- Underlåtenhet att regelbundet undersöka utrustningen kan påverka dess säkerhetsnivå.

## Ytterligare information

### Bortskaffande av förpackning

Riktlinjer från myndigheter uppmanar att vi minskar mängden avfall som placeras i deponier. Vi ber dig därför att bortskaffa allt förpackningsavfall på ett ansvarsfullt sätt på allmänna återvinningscentraler.

### Bortskaffande av uttjänt redskap

Vi på Tunturi hoppas att du får många års trevlig användning av ditt träningsredskap. Men det kommer en tid när ditt träningsredskap är uttjänt. Enligt den europeiska WEEE-lagstiftningen, ansvarar du för korrekt bortskaffande av ditt träningsredskap på en allmän återvinningsanläggning.

## Begränsad garanti

Tunturi New Fitness garanterar att denna produkt är fri från defekter i utförande och material, under normala användnings- och serviceförhållanden, för en period om två år för ramen och ett år för alla andra delar och komponenter från inköpsdatum. Denna garanti omfattar endast den ursprungliga köparen. Tunturi New Fitness skyldighet enligt denna garanti är begränsad till att ersätta skadade eller felaktiga delar enligt Tunturi New Fitness eget gottfinnande.

Alla returer måste först godkännas av Tunturi New Fitness. Denna garanti omfattar inte någon produkt eller skada på en produkt som orsakas av eller hänför sig till fraktskador, missbruk, felaktig eller onormal användning, köparens egna reparationer eller för produkter som används för kommersiella eller uthyrningsändamål. Ingen annan garanti än vad som särskilt anges ovan är godkänd av Tunturi New Fitness.

Tunturi New Fitness är inte förpliktigade eller ansvariga för indirekta, speciella eller följdskador som uppstår på grund av eller i samband med användningen eller utförandet av produkten eller andra skador med avseende på ekonomisk förlust, förlust av egendom, inkomstförlust eller vinst, förlust av nöjen eller användning, kostnader för



borttagning, installation eller andra följdskador eller annat av samma natur.

Garantiomfattningen gäller i stället för alla andra garantier, eventuella underförstådda garantier gällande säljbarhet eller lämplighet för ett visst ändamål är begränsade inom dess omfattning och varaktighet till de villkor som anges här.

**Dina lagstadgade rättigheter påverkas inte.**

## Beställning av reservdelar

Reservdelar kan beställas genom att kontakta vår kundserviceavdelning, måndag till fredag 09:00 – 17:00 GMT + +1 timme.

E-post: [service.international@tunturi.com](mailto:service.international@tunturi.com)

Ange följande information vid beställning av reservdelar,

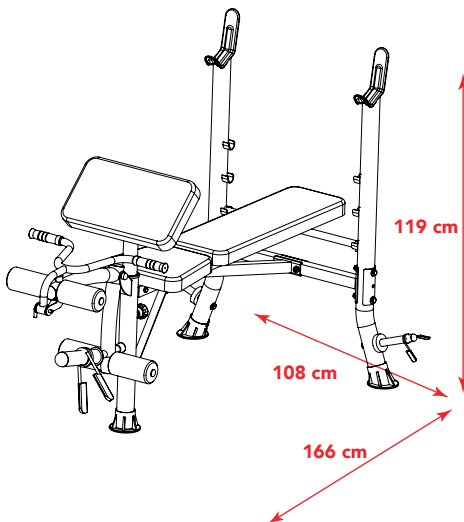
- Modell
- Beskrivning av delarna
- Artikelnummer
- Inköpsdatum

Ytterligare kontaktuppgifter eller bruksanvisningar på andra språk finns på vår webbsida.

## Viktkapacitet och dimension

(Fig. W#1)

- Maximal lastvikt : 150 kg.
- Mått monterad: 166 x 108 x 119 cm.



## Friskrivning

© 2018 Tunturi New Fitness BV  
Alla rättigheter förbehålles.

Produkten och bruksanvisningen kan ändras.  
Specifikationerna kan ändras utan föregående meddelande.

**Suomeksi**

Tämä suomennettu käyttöohje on käännetty Englannin kielestä. Pidätämme oikeudet mahdollisiin käännösvirheisiin. Käännös tehty virallisen, englanninkielisen version pohjalta.

**Sisältö****Ennen kuin aloitat..... 50****Tärkeä turvallisuusilmoitus ..... 50****Tärkeitä asennustietoja ..... 51**

Kokoonpano	51
Kiristä mutterit ja ruuvit	51

**Etupunnerruksen asennon Käyttö ..... 51**

<b>51</b>	
Levypainojen käyttö	51
Levypainojen säilytystangot	52
Selkätuen kallistuksen säätäminen	52
Hauiskäännön pehmusteen korkeuden säätäminen	52

**Harjoitteluohjeet ..... 52**

Lihasten kasvattaminen ja painon nouseminen	52
Lihaskasvu ja kestävyys	52
Harjoituksen raskuus	52
Voimaa kasvattavan ohjelman aloittaminen	53

**Hoito ja huolto..... 53**

Lisätietoa laitteen omistajalle	53
---------------------------------	----

**Rajoitettu takuu..... 53****Varaosien tilaaminen..... 54****Painokapasiteetti ja mitat..... 54****Vastuuvapauslauseke..... 54****Ennen kuin aloitat**

Kiitos, että valitsit

Tunturi WB40 Compact Width Weight Bench. Turvallisuutesi ja oman etusi vuoksi lue tämä opas huolellisesti ennen laitteen käyttöä. Olemme sitoutuneet tarjoamaan sinulle täydellisen asiakastytyväisyyden. Jos sinulla on kysyttävää taikka huomaat puuttuvia tai vaurioituneita osia, takaamme täydellisen asiakastytyväisyyden auttamalla sinua suoraan.

Tarpeettomien viiveiden välttämiseksi ota yhteyttä asiakaspalveluumme, joka on avoinna maanantaista perjantaihin klo 9–17 (GMT + 1 tunti).

Tunturi New Fitness B.V.

Sähköposti: [service.international@tunturi.com](mailto:service.international@tunturi.com)

[www.tunturi.com](http://www.tunturi.com)

**Tärkeä turvallisuusilmoitus**

Tämä kuntoilulaite on suunniteltu erittäin turvallisesti. Tiettyjä varotoimia on kuitenkin noudatettava kuntoilulaitetta käytettäessä.

Varmista, että luet kaikki käyttöohjeet, ennen kuin asennat laitteesi tai käytät sitä. Huomaa erityisesti seuraavat turvallisuusvarotoimet:

- Pidä lapset ja lemmikit aina loitolla laitteesta. ÄLÄ jätä lapsia valvomatta samaan huoneeseen, jossa laite on.
- Laitetta saa käyttää vain yksi henkilö kerrallaan.
- Jos sinua alkaa huimata taikka tunnet pahoinvointia, rintakipua tai muita epänormaaleja oireita, LOPETA harjoittelu heti. OTA VÄLITTÖMÄSTI YHTEYTTÄ LÄÄKÄRIIN. Sijoita laite esteettömälle, tasaiselle pinnalle. ÄLÄ käytä laitetta veden lähellä tai ulkona.
- Pidä kädet aina riittävän etäällä laitteen liikkuvista osista.
- Pukeudu aina sopiviin kuntoiluvaatteisiin harjoitellessasi. ÄLÄ pukeudu hameisiin tai muihin vaatteisiin, jotka voivat jäädä kiinni laitteeseen. Laitteen käyttöön tarvitaan myös juoksu- tai aerobickengät. Käytä laitetta vain näissä käyttöohjeissa kuvattuun tarkoitukseen ja kuvatulla tavalla. ÄLÄ käytä lisävarusteita, joita valmistaja ei ole suositellut.

- Älä aseta teräviä esineitä laitteen ympärille.
- Vammaiset eivät saa käyttää laitetta.
- Lämmittele aina hyvin ennen kuntoilulaitteen käyttöä tekemällä venyttelyharjoituksia.
- Älä koskaan käytä laitetta, jos se ei toimi oikein.
- Harjoittelun aikana suositellaan käytettävän varmistajaa.
- Tämä laite on suunniteltu ja tarkoitettu vain kotitalous- ja kuluttajakäyttöön, ei kaupalliseen käyttöön.

### Varoitus:

Kysy lääkäriltäsi neuvoja ennen minkään kuntoiluohjelman aloittamista. Tämä on erityisen tärkeää yli 35-vuotiailla tai henkilöillä, joilla on ennestään terveysongelmia.

Lue kaikki ohjeet ennen minkään kuntolaitteen käyttöä.

Tunturi New fitness bv. ei ota mitään vastuuta henkilö- tai omaisuusvahingoista, jotka aiheutuvat tämän laitteen käytöstä tai tämän laitteen käytön kautta.

### Säilytä nämä ohjeet!

## Tärkeitä asennustietoja

Penkin asentamiseen tarvittavat työkalut:  
Kaksi säädettävää jakoavainta.

### ⚠ HUOM

- Loukkaantumisen välttämiseksi on erittäin suositeltavaa, että tämän laitteen asennukseen osallistuu vähintään kaksi henkilöä.
- Varmista, että lukkoruuvit viedään asennettavien osien NELIÖNMUOTOISTEN reikien läpi. Kiinnitä aluslaatta vain lukkoruuvin päähän.
- Käytä kuusiokoloruuveja, jotka viedään asennettavien osien PYÖREIDEN reikien läpi.
- Odota aina, että kaikki ruuvit on kiinnitetty penkkiin, ennen kuin kiristät ruuveja. Älä kiristä jokaista ruuvia heti sen asentamisen jälkeen.

## Kokoonpano

(Kuva. A)

### ⚠ VAROITUS

- Kokoonpane laite esitettyssä järjestyksessä.
- Vähintään kahden henkilön on kannettava ja siirrettävä laitetta.

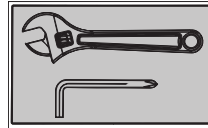
### ⚠ HUOMAUTUS

- Sijoita laite kovalle, tasaiselle alustalle.
- Asettakaa laite suojalustalle lattiapinnan vaurioiden estämiseksi.
- Varaa vähintään 100 cm tilaa laitteen ympärille.
- Katso piirroksesta laitteen oikea asennus.

### ⚠ ILMOITUS

- Kun olet suorittanut asennuksen loppuun, pane tämän tuotteen mukana toimitetut työkalut talteen tulevia huoltotöitä varten.

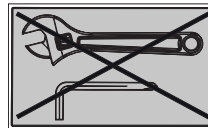
## Kiristä mutterit ja ruuvit



Kiristä kunnolla kaikki mutterit ja ruuvit sen jälkeen, kun kaikki nykyisen ja edeltävien vaiheiden osat on asennettu.

### ⚠ HUOM

- Älä ylikiristä mitään kääntyvää osaa.
- Varmista, että kaikki kääntyvät osat pääsevät liikkumaan vapaasti.



Älä kiristä kaikkia muttereita ja ruuveja tässä vaiheessa.

## Etupunnerruksen asennon Käyttö

### Levypainojen käyttö

- Varmista levypainoja käytettäessä riittävien lukkotukien käyttö, jotta levypainot pysyvät varmasti kiinni koko ajan ennen käyttöä.

- Varmista, kun käytät levyypainoja levytangossa, että jaat levypainot tasaisesti vasemmalle ja oikealle puolelle.
  - Älä koskaan ylitä levytangon tai penkin suurinta painokapasiteettia.
- Ota myös huomioon oma kehonpainosi.

## Levyypainojen säilytystangot

- Varmista levyypainojen säilytystankoja käytettäessä riittävien lukkotukien käyttö, jotta levypainot pysyvät varmasti kiinni koko ajan.
- Varmista levyypainoja säilytettäessä säilytystangoissa, että jaat levypainot tasaisesti vasemmalle ja oikealle puolelle.
- Älä koskaan ylitä levyypainojen säilytystangon suurinta painokapasiteettia.

## Selkätuen kallistuksen säätäminen

### (Kuva Use #2)

- Kallista selkätukea hieman ja kallista säätötanko pois hammaslevyistä.
- Siirrä selkätuki haluttuun asentoon.
- Aseta säätötanko hammaslevyihin sen kiinnittämiseksi.

## Hauiskäännön pehmusteen

### korkeuden säätäminen

#### (Fig. Use #7)

- Vedä säätönupista.
- Siirrä hauiskäännön pehmuste haluttuun asentoon.
- Vapauta säätönuppi.

#### ⚠ VAROITUS

- Älä koskaan jätä levytankoa varmistustankoihin ilman valvontaa.

## Harjoitteluohjeet

### Lihasten kasvattaminen ja painon

#### nouseminen

Toisin kuin aerobisessa harjoittelussa, jossa korostetaan kestävyysharjoittelua, anaerobisessa harjoittelussa keskitytään voimaharjoitteluun. Paino voi nousta asteittain, kun lihasten kokoa ja voimaa kasvatetaan. Lihasmassaa kehitettäessä kehosi mukautuu siihen kohdistuvaan rasitukseen. Voit muokata ruokavaliotasi niin, että siihen sisältyy esimerkiksi lihaa, kalaa ja vihanneksia. Nämä ruoka-aineet auttavat lihaksia palautumaan ja täydentävät tärkeiden ravintoaineiden määrää rasittavan harjoittelun jälkeen.

### Lihassoima ja kestävyys

Jotta harjoittelusta saa suurimman mahdollisen hyödyn, on tärkeää laatia kuntoiluohjelma, jonka ansiosta saat harjoitettua kaikkia tärkeitä lihasryhmiä tasapuolisesti. Jos haluat lisätä lihasvoimaa, noudata tätä periaatetta: Lihassoima lisääntyy, kun vastusta lisätään ja harjoituksen toistomäärä pidetään samana. Jos haluat kiinteyttää vartaloasi, noudata tätä periaatetta: Vartalo kiinteytyy, kun vastusta vähennetään ja harjoituksen toistomäärää lisätään. Kun harjoitus tuntuu helpolta, voit muuttaa vastusta, toistomäärää tai nopeutta, jolla teet harjoituksen. Kaikkia kolmea muuttujaa ei ole tarpeen muuttaa. Voit esimerkiksi harjoitella 10 kg:n painolla ja tehdä harjoituksen 10 kertaa 3 minuutissa. Kun tästä tulee liian helppoa, voit päättää nostaa painoksi 12 kg ja tehdä saman toistomäärän samassa ajassa. Lihassoima kehittyy useimmiten nostamalla suurempia painoja vähempiä kertoja. Jos haluat kehittää sekä lihasvoimaa että kestävyyttä, suositeltavaa on, että teet jokaisessa harjoituksessa 15–20 toistoa sarjaa kohden.

### Harjoituksen rasiustaso

Se, miten kovaa alat harjoitella, riippuu yleisestä kuntotasostasi. Kokemaasi kipua voi pienentää vähentämällä lihaksiisi kohdistuvaa kuormaa ja tehtyjen sarjojen määrää.

Vammojen välttämiseksi sinun pitäisi täydentää kuntoiluohjelmaa asteittain ja määrittää kuormitus yksilöllisen kuntotasosi mukaan. Kuormituksen pitäisi kasvaa kuntosi kasvaessa.

Lihaskipu on yleistä, erityisesti aloittaessasi harjoittelun. Jos kipu tuntuu pahalta ja kestää pitkään, sinun on ehkä muutettava ohjelmaa. Lopulta lihaksistosi tottuu siihen kohdistuvaan rasitukseen ja kuormaan.

## Voimaa kasvattavan ohjelman

### aloittaminen

#### Alkuverryttely

Voimaharjoittelun aluksi on tärkeää venytellä ja harjoitella kevyesti 5–10 minuutin ajan. Tämä auttaa kehoa valmistautumaan rasittavampaan harjoitteluun lisäämällä verenkiertoa, nostamalla ruumiinlämpöä ja tuomalla lisää happea lihaksiin.

#### Harjoittelu

Kaikessa harjoittelussa on muistettava, että pitkään kestävä lihaskipu ei ole toivottavaa ja voi kertoa vamman syntymisestä.

#### Loppuverryttely

Venytele jokaisen harjoittelukerran lopussa hitaasti 5–10 minuutin ajan. Tee kaikki venytykset asteittain menemällä vain niin pitkälle kuin pystyt. Tämä vaihe auttaa lihaksiasi palautumaan harjoittelun jälkeen.

Jotta kuntoiluohjelma on kokonaisvaltainen, on suositeltavaa, että voimaharjoittelun lisäksi siinä on 2–3 päivänä aerobista harjoittelua.

#### Veden juominen

Keho voi toimia asianmukaisesti vain, jos sitä nesteytetään oikein. Jos kuntoilet, nautittavien nesteiden määrää on lisättävä. Tähän on syynä se, että nauttimasi vesi poistuu elimistöstäsi hikoilun kautta, joka viilentää kehoasi harjoittelun aikana. Harjoittelun aikana menettämäsi vesi on korvattava, jotta lihakset palautuvat kunnolla.

#### Lepopäivä

Vaikka et sitä haluaisikaan, on tärkeää pitää lepopäivä vähintään kerran viikossa, jotta kehosi saa mahdollisuuden toipua. Lihasten jatkuva harjoittaminen johtaa yliharjoitteluun, joka ei ole hyödyksi pitkällä aikavälillä.

## Hoito ja huolto

- Voitele liikkuvat osat säännöllisesti WD-40:llä tai kevyellä öljyllä.
- Tarkasta ja kiristä kaikki osat ennen laitteen käyttöä.
- Laitteen voi puhdistaa kevyesti kostutetulla liinalla ja miedolla, hankaamattomalla puhdistusaineella. ÄLÄ KÄYTÄ liuottimia.
- Tarkasta säännöllisesti, että laite ei ole vahingoittunut tai kulunut.
- Vaihda vialliset osat välittömästi ja/tai pidä laite poissa käytöstä siihen asti kun se on korjattu.
- Tarkastuksen laiminlyönti voi vaikuttaa laitteen turvallisuuteen.

### Lisätietoa laitteen omistajalle

#### Pakkauksen hävittäminen

Lainsäädäntö ohjeistaa meitä vähentämään kaatopaikoille toimitetun jätteen määrää. Sen vuoksi pyydämme sinua toimittamaan kaikki pakkausjätteet sitä varten tarkoitettuun kierrätyskeskukseen.

#### Laitteen hävittäminen käyttöiän päättyessä

Me Tunturilla toivomme, että iloitset kuntolaitteestasi vuosia. Jokainen kuntolaite tulee kuitenkin aikanaan oman käyttöikänsä loppuun. Kotitalouksien sähkö- ja elektroniikkalaiteromua käsittelevien eurooppalaisten määräysten (WEEE) mukaan sinun kuuluu toimittaa kuntolaitteesi sitä varten tarkoitettuun keräyspaikkaan.

## Rajoitettu takuu

Tunturi New Fitness takaa, että tuotteessa ei esiinny valmistus- tai materiaalivikoja, kun sitä käytetään ja huolletaan normaalisti, rungon osalta kahteen vuoteen sekä kaikkien muiden osien osalta yhteen vuoteen ostopäivästä lukien. Tämä takuu koskee vain laitteen alkuperäisostajaa. Tunturi New Fitnessin tämän takuun mukainen velvollisuus rajoittuu vaurioituneiden tai viallisten osien vaihtamiseen Tunturi New Fitnessin valinnan mukaan.

Kaikkiin palautuksiin on hankittava ennakolta Tunturi New Fitnessin lupa. Tämä takuu ei kata mitään tuotetta tai tuotevauriota, jonka on

aiheuttanut rahtivahinko, väärinkäyttö, virheellinen käyttö, epäasianmukainen tai epätavallinen käyttö, ostajan oma korjaus tai tuote, jota on käytetty kaupallisissa tai vuokraustarkoituksissa, taikka joka johtuu sellaisesta. Tunturi New Fitness ei myönnä mitään muuta takuuta kuin nimenomaisesti edellä esitetyn takuun.

Tunturi New Fitness ei ole missään vastuussa epäsuorista, erityisistä tai välillisistä vahingoista, jotka johtuvat tuotteen käytöstä tai suorituksesta taikka liittyvät siihen, eikä mistään muista vahingoista, jotka liittyvät taloudelliseen tappioon, omaisuuden menettämiseen, tuottojen tai voittojen menettämiseen, nautinnon tai käyttömahdollisuuden menettämiseen, poistokustannuksiin, asennukseen tai muihin välillisiin vahinkoihin tai mihinkään muihin vahinkoihin.

Tässä esitetty takuu korvaa kaikki mahdolliset muut takuut ja hiljaiset takuut myyntikelpoisuudesta tai sopivuudesta tiettyyn tarkoitukseen, ja sen laajuus ja kesto on rajoitettu tässä esitettyihin ehtoihin.

**Takuu ei vaikuta lakisääteisiin oikeuksiisi.**

## Varaosien tilaaminen

Varaosia voi tilata ottamalla yhteyttä asiakaspalveluumme, joka on avoinna maanantaista perjantaihin klo 9–17 (GMT + 1 tunti):

Sähköposti: [service.international@tunturi.com](mailto:service.international@tunturi.com)

Anna seuraavat tiedot tilatessasi varaosia:

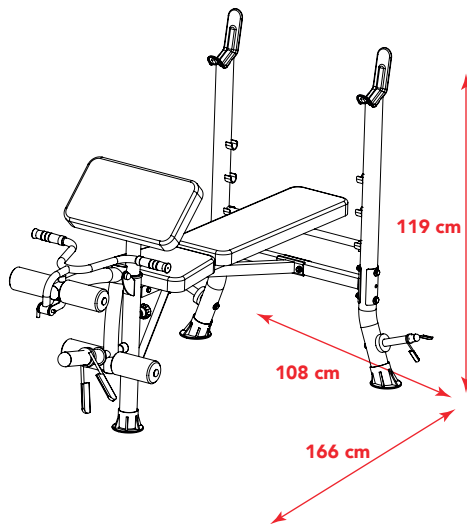
- Malli
- Osien kuvaus
- Osanumero
- Ostopäivä

Muita yhteystietoja ja muunkielisiä käyttöohjeita löytyy sivustoltamme.

## Painokapasiteetti ja mitat

(Fig. W#1)

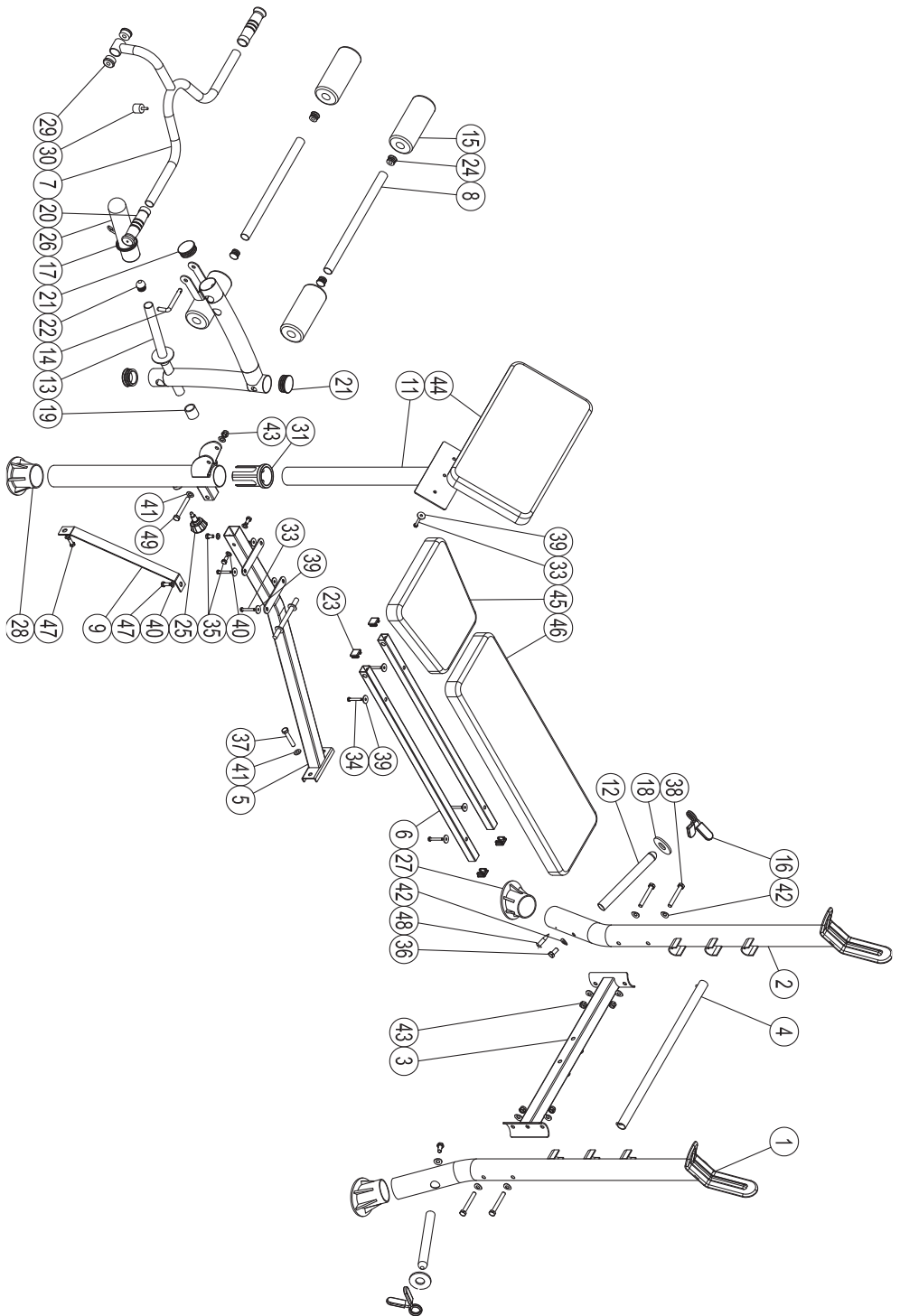
- Kuorman enimmäispaino : 150 kg.
- Mitat koottuna: 166 x 108 x 119 cm.



## Vastuuvapauslauseke

© 2018 Tunturi New Fitness BV  
Kaikki oikeudet pidätetään.

Tuote ja käyttöohjeet voivat muuttua. Teknisiä tietoja voidaan muuttaa ilman erillistä ilmoitusta.



No	Description	Specs	Qty
1	Left Upright		1
2	Right Upright		1
3	Cross Beam		1
4	Adjustable Bar		1
5	Main Frame		1
6	Backrest Tub		2
7	Handle Frame		1
8	Foam Tube		2
9	Triangle Support Plate		1
10	Front Post		1
11	Arm Curl Frame		1
12	Plate Tube		2
13	Leg Extension		1
14	L Pin		1
15	Foam		4
16	Clip		2
17	Olympic Clip		1
18	Rubber Washer		2
19	Cap		1
20	Plastic Handle		2
21	Round Plug	50x50	3
22	Plug		3
23	Square Plug		4
24	Round Plug		1
25	Fast Pin		1
26	Olympic Sleeve		1
27	Skew Base Cap		2
28	Base Cap		1
29	Plastic Bushing		2
30	Buffer		1
31	Slider		1
32	Nylon Cap		2
33	Bolt	M6*20	6
34	Bolt	M6*40	4
35	Bolt	M8*16	3
36	Bolt	M10*20	2
37	Bolt	M10*55	2
38	Bolt	M10*75	4
39	Big Washer	Ø6	10
40	Washer	Ø8	5
41	Washer	Ø10	6
42	Arc Washer	Ø10	10

43	Lock Nut	M10	7
44	Arm Curl Pad		1
45	Seated Pad		1
46	Backrest Pad		1
47	Bolt	M8*20	2
48	Tapping Screw		2
49	Bolt	M10*70	1











## Tunturi New Fitness BV

Purmerweg 1 NL - 1311 XE Almere  
P.O. Box 60001 NL - 1320 AA Almere  
The Netherlands

[www.tunturi.com](http://www.tunturi.com)  
[info@tunturi.com](mailto:info@tunturi.com)

