





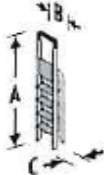



# Produktdatenblatt

|   |   |
|---|---|
|   |  |
| Marke   |  |
| Art.-Nr.  | 63091810000   |
|    | 6   |
|   | A = 50 cm<br>B = 116 cm   |
|  | A = 190 cm<br>B = 128 cm  |
|  | 328 cm  |
|  | A = 208 cm<br>B = 50 cm<br>C = 14 cm  |
|  | 6.2   |