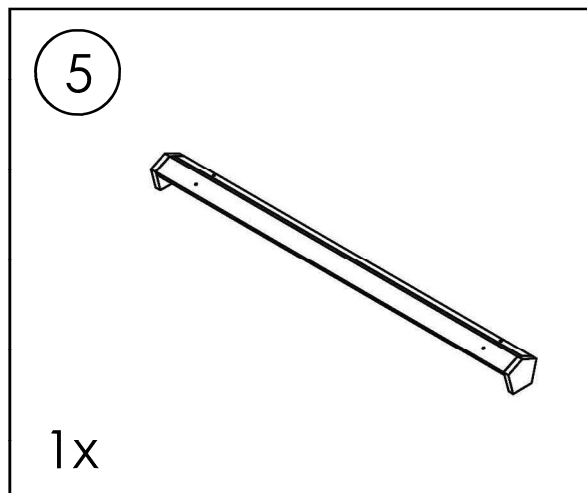
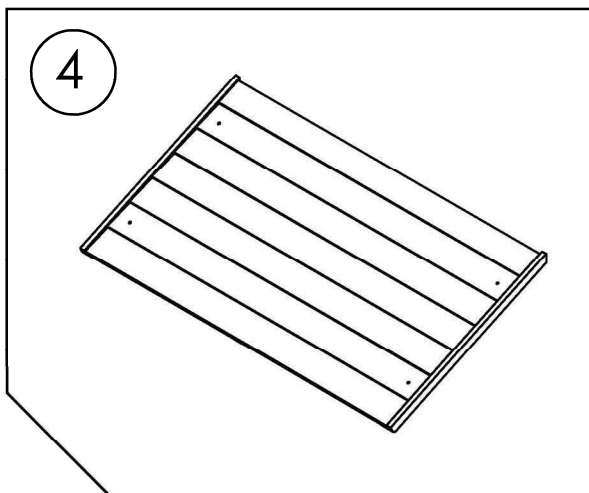
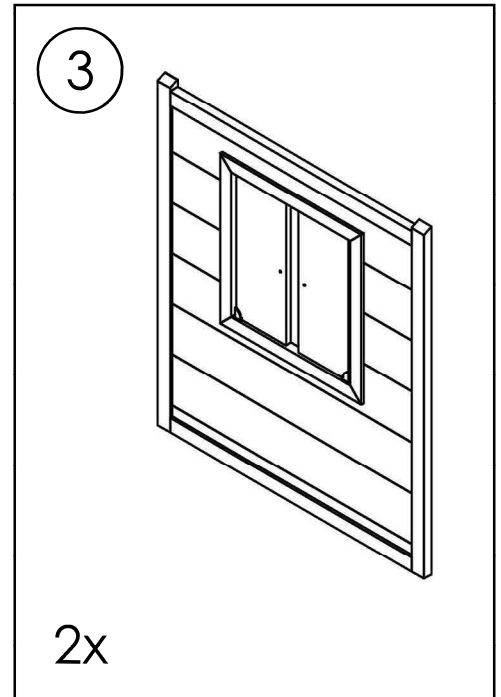
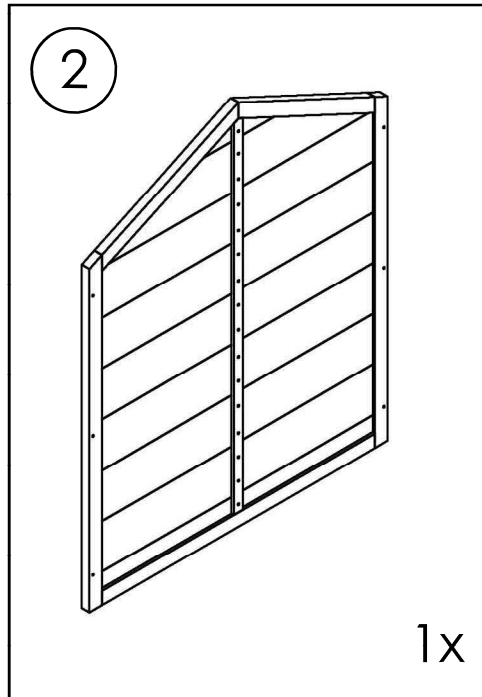
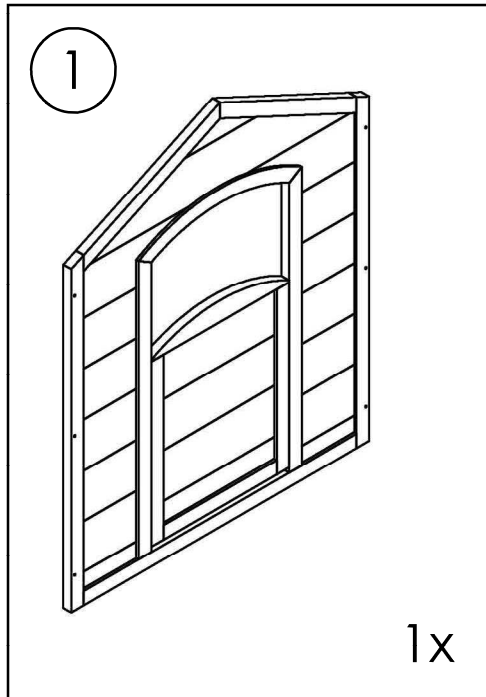
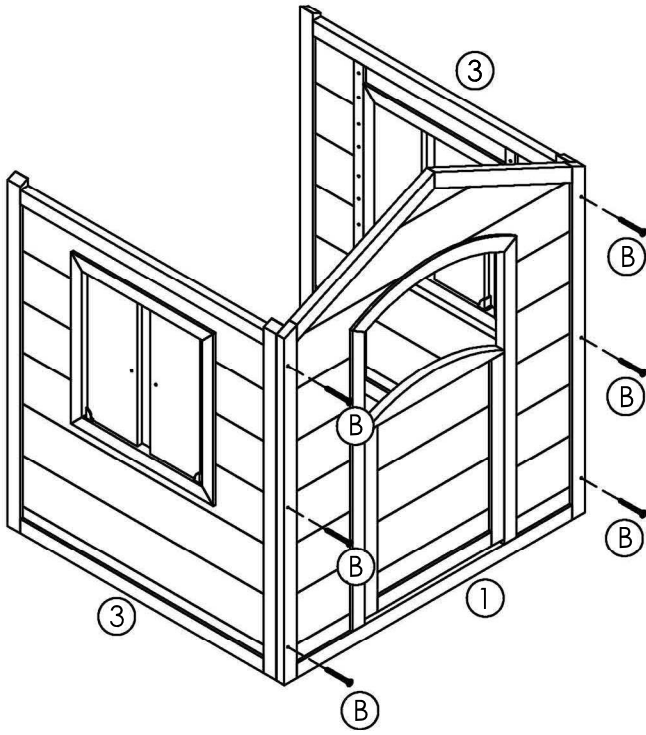


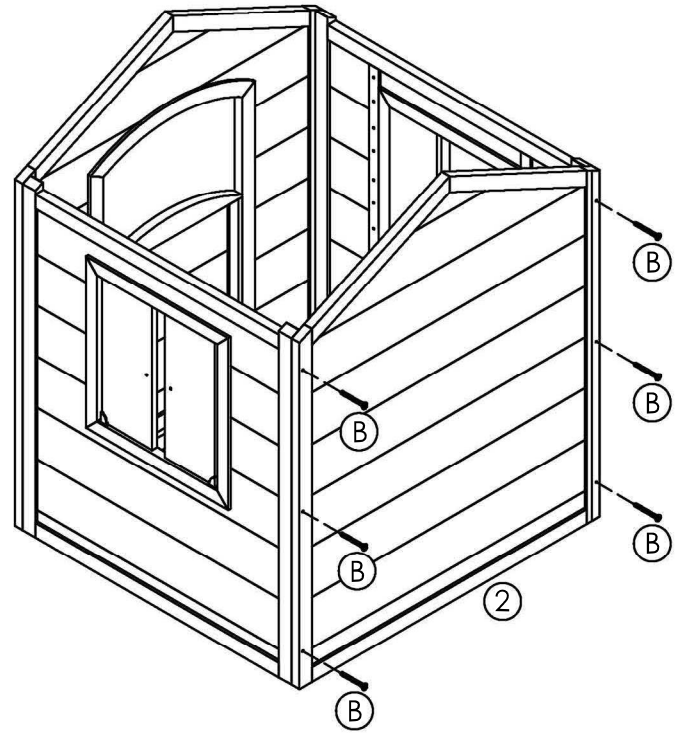
A		Ø3 x 30	8x
B		Ø3.5 x 45	12x
C		Ø3 x 20	4x
D		Ø4 x 20	4x
E			4x



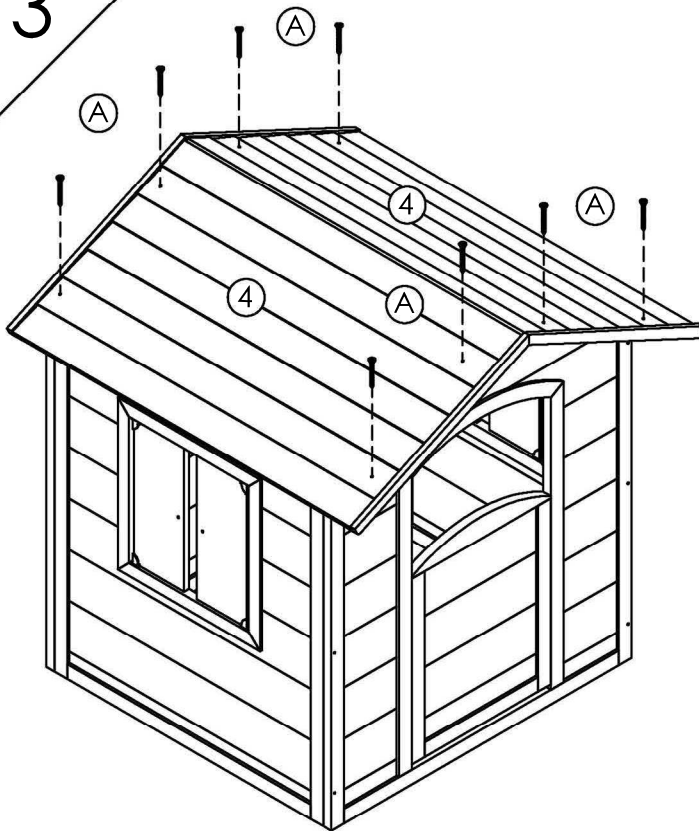
1



2



3



4

