


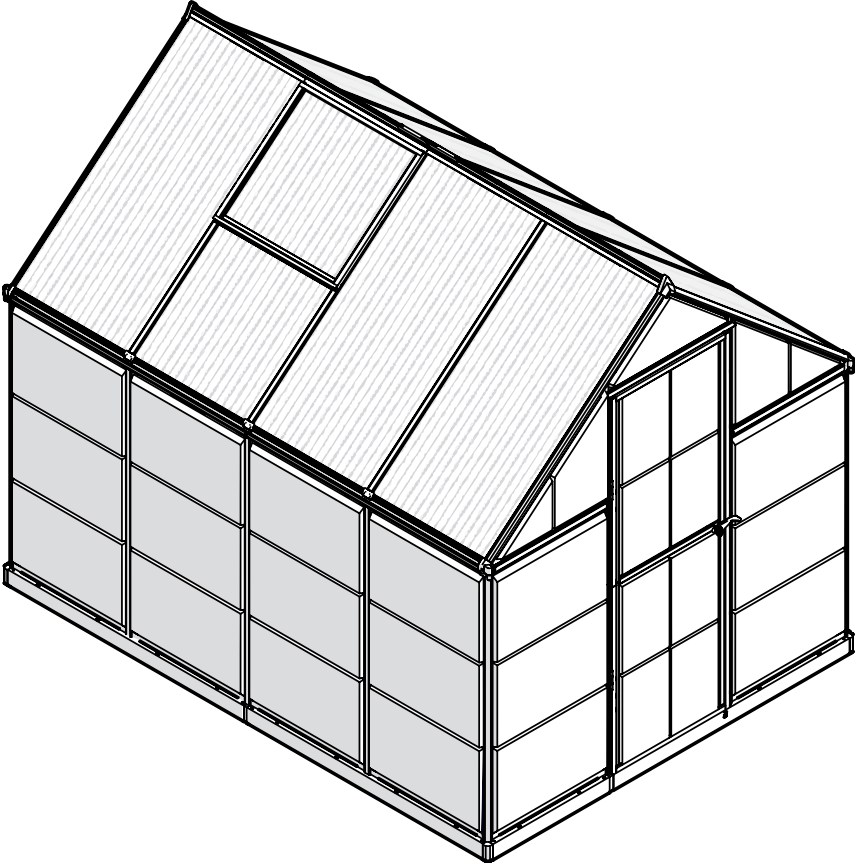
Hybrid™ 6'x8'



 **Snow Load**
75 kg/m²
15.4 lbs/ft²

 **Wind Resistance**
90 km/hr
56 ml/hr

 **Light Transmission**
Roof - 82%
Walls - 90%







AFTER SALE SERVICE



palramapplications.com/after-sales-service

LOCATIONS		
USA	customer.service@palram.com	877-627-8476
England	customer.serviceUK@palram.com	01302-380775
France	customer.serviceFR@palram.com	0169-791-094
Germany	customer.serviceDE@palram.com	0180-522-8778
International	customer.service@palram.com	+972 4-848-6816

www.palramapplications.com

IMPORTANT

Please read these instructions carefully before you start to assemble this product .
Please carry out the steps in the order set out in these instructions.
Keep these instructions in a safe place for future reference.

Safety Advice

- For safety purposes we strongly recommend the product to be assembled by at least two people.
- Some parts may have sharp edges. Please be careful when handling components. Always wear gloves, eye protection, and long sleeves when assembling or performing any maintenance on your product.
- Do not attempt to assemble the product in windy or wet conditions.
- Do not attempt to assemble the product if you are tired, have taken drugs, medications or alcohol, or if you are prone to dizzy spells.
- Dispose of all plastic bags safely – keep them away from children's reach.
- Keep children away from the assembly area.
- When using a stepladder or power tools, make sure that you are following the manufacturer's safety advice.
- Keep roof and gutters clear of snow, dirt & leaves.
- Heavy snow load on the roof can make it unsafe to stand below or nearby.
- Do not lean against or push the product during construction.
- Hot items such as recently used grills, blowtorches etc. must not be stored inside the product.
- Heavy or sharp articles should not be leaned against the wall panels.
- Make Sure there are no hidden pipes or cables in the ground before inserting the pegs (not supplied)
- Do not touch overhead power cables with the aluminum profiles.
- If color was scratched during assembly it can be fixed.
- **Note:** This product must be anchored on to a leveled surface and solid foundation to ensure its stability.
Make sure that screws and anchors are compatible with foundation type. Make sure that there are no obstructions between the assembly area and the final position.

Cleaning Instructions

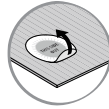
- In order to clean the product, use a mild detergent solution and rinse with cold clean water.
- Do not use acetone, abrasive cleaners, or other special detergents to clean the panels.
- Clean the product once assembly is complete.

Before Assembly

- Choose your site carefully before beginning assembly.
- The ground surface must be perfectly flat and leveled.
- Choose a sunny area, away from overhanging trees.
- Do not position your product in an area exposed to excessive winds.
- The product must be positioned and fixed onto a flat leveled surface.
We strongly recommend to secure this product directly onto a solid foundation.
Use the pre-drilled holes in the steel base.
- Complete site preparation before unpacking parts and beginning assembly.
- Sort the parts and check against the content parts list.
- Parts should be laid out close at hand. Keep all small parts (screws etc.) in a bowl so they do not get lost.
- Please consult your local authorities if any permits are required prior to constructing the product.

During Assembly

- Make sure the base is square by measuring the diagonals and level by using a spirit level.
- You may use silicone lubricant spray in order to help you slide the panels into the profiles.
- Do not spray the polycarbonate panels.
- Use a rubber mallet if necessary.
- All panels with the stamped words "THIS SIDE OUT" must be facing out to create full UV protection. Remove plastic sticker as panels are locked in place.



When encountering the information icon, please refer to the relevant assembly step for additional comments and assistance.



This icon indicates that the installer should be inside the product.



This icon indicates that the installer should be outside the product.



Attention

- During assembly use a soft surface below the parts to avoid scratches and damages.



Steps

Step 6: Determines the front side of the greenhouse.

Steps 10, 16, 19: The oval hole in the crossbars. **256** should always be assembled to the base of the greenhouse.

Steps 12-13, 57: In order to insert profile #**8378** in between two #**7310** & **7311** profiles, please apply silicone lubricant.

Door assembly (Steps 14, 57-65)

Door can be installed as a left hand door or right hand door to your decision. These instructions show a right hand door assembly.

Step 14: Determines door direction door post **7311** is where door hinges will be located.

Steps 57-65: Door assembly should be done according to this decision.

Window assembly (Steps 39, 56)

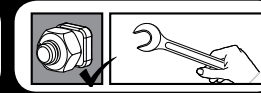
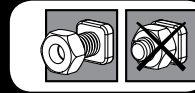
Step 39: Decide on the window's location before assembly. Window can be installed in one of the indicated options.

Steps 39+40: Once the window location is chosen, please turn part **7316** into the correct position accordingly.

Step 56: In case the window is not closed properly, please go to **Step 42**, release the screws, adjust the profile and tighten the screw.

* Please tighten all screws when completing assembly.

- Screws 411 and nuts 412 & 466 are used throughout the assembly process.
- Screws 411 are to be assembled from the outside and nuts 412 & 466 from the inside of the greenhouse.
- If not specified otherwise, do not fasten screws and nuts (411, 412 & 466) more than 2-3 turns only. Do not tighten them until completion of the panels' assembly. These 2 icons indicate if screws' tightening is required or not.
- However, in some steps, temporary tightening of a few screws may be needed to prevent a profile from falling.



Note: Firmly connect the product to a level surface immediately after completion of the assembly. Anchoring this product to the ground is essential to its stability and rigidity. It is required to complete this stage in order for your warranty to be valid.

IMPORTANTE

Le rogamos lea con atención las siguientes instrucciones antes de empezar a montar este producto. Siga los distintos pasos en el mismo orden de las instrucciones. Guarde las instrucciones en un lugar seguro para poder consultarlas en el futuro.

Consejos de cuidado y seguridad

- Por motivos de seguridad, recomendamos encarecidamente que el producto sea montado al menos por dos personas.
- Algunas piezas pueden tener bordes afilados. Por favor, tenga cuidado al manipular los componentes. Lleve siempre guantes, protección ocular y mangas largas al montar o realizar cualquier mantenimiento de su producto.
- No intente montar el producto en condiciones de viento o humedad.
- Tire todas las bolsas de plástico con seguridad; manténgalas fuera del alcance de los niños pequeños.
- Mantenga a los niños lejos del área de montaje.
- No intente montar el producto si está cansado, ha tomado drogas, medicamentos o alcohol o si es propenso a ataques de mareo.
- Cuando utilice una escalera de mano o herramientas eléctricas, asegúrese de seguir los consejos de seguridad del fabricante.
- Mantenga el tejado y el canalón sin nieve, suciedad ni hojas.
- No es seguro pararse debajo o cerca cuando hay gran cantidad de nieve sobre el techo.
- No se apoye ni empuje el producto durante la construcción.
- Artículos calientes, como parrillas recientemente usadas, sopletes, etc. no deben ser almacenados dentro del producto.
- Los artículos pesados o afilados no deben apoyarse contra los paneles de la pared.
- Asegúrese de que no haya tuberías o cables ocultos en el suelo antes de insertar las estacas (no suministradas).
- No toque cables eléctricos en altura con los perfiles de aluminio.
- Si se rayó el acabado de color durante el montaje, el mismo puede ser arreglado.
- **Nota:** Este producto debe estar anclado a una superficie nivelada y a una base sólida. Asegúrese de que los tornillos y los anclajes sean compatibles con el tipo de base. Asegúrese de que no haya obstrucciones entre el área de ensamblaje y la posición final.

Instrucciones de limpieza

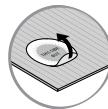
- Limpie el producto una vez terminado el montaje.
- Cuando necesite limpiar su producto, use una solución de detergente suave y aclárelo con agua limpia fría.
- No utilice acetona, limpiadores abrasivos ni otros detergentes especiales para limpiar los paneles.

Antes de empezar:

- Elija su sitio cuidadosamente antes del ensamblaje inicial.
- La superficie del terreno debe ser perfectamente plana y estar nivelada.
- Elija un área soleada, lejos de árboles que puedan cubrir la estructura.
- No coloque su producto en un área expuesta a vientos excesivos.
- El producto debe colocarse y fijarse sobre una superficie plana y nivelada. Recomendamos encarecidamente asegurar este producto directamente sobre una base sólida. Utilice los orificios pre-perforados en la base de acero.
- Complete la preparación del sitio antes de desempacar las piezas y comenzar el ensamblaje.
- Las partes deben disponerse al alcance de la mano.
- Mantenga todas las piezas pequeñas (tornillos, etc.) en un recipiente para que no se pierdan.
- Consulte las limitaciones, requisitos, permisos y a las autoridades locales para la construcción de este cobertizo de jardín.

Durante la instalación

- Asegúrese de que la base es cuadrada, midiendo las diagonales y el nivel mediante el uso de un nivel de burbuja.
- Es posible utilizar un aerosol lubricante de silicona con el fin de ayudar a deslizar los paneles en los perfiles.
- No pulverice los paneles de policarbonato.
- Utilice un martillo de goma si es necesario.
- Todos los paneles con las palabras estampadas "THIS SIDE OUT" deben estar mirando hacia afuera para crear una protección UV completa. Quite la etiqueta de plástico a medida que bloquee los paneles en su lugar.



Cuando encuentre el ícono de información, por favor lea con cuidado dicho paso con comentarios y asistencia adicionales.



Este ícono indica que el instalador debe estar dentro del producto.



Este ícono indica que el instalador debe estar fuera del producto.



Atención

- Durante el montaje, ponga algo suave por debajo de las piezas, para evitar que se rayen o estropeen.



Pasos

Paso 6: Determina el lado frontal del invernadero.

Los pasos 10, 16, 19: el agujero ovalado en las barras transversales. **256** siempre debe ser montado en la base del invernadero.

Pasos 12-13, 57: para introducir el perfil **8378** entre los dos perfiles **7310** & **7311**, por favor, aplique silicona paralubricarlo. Montaje de la puerta

Montaje de la puerta Pasos 14, 57-65: La puerta puede ser instalada a la izquierda o a la derecha según su decisión. Estas instrucciones muestran montaje de una puerta a derecha.

Paso 14: Determina la dirección de la puerta al lado **7311es** donde se encuentran las bisagras de la puerta.

Pasos 57-65: Montaje de la puerta se debe hacer de acuerdo con esta decisión.

Montaje de la ventana (Pasos 39, 56)

Paso 39: decida la ubicación de la ventana antes del montaje. La ventana puede instalarse en una de las opciones indicadas.

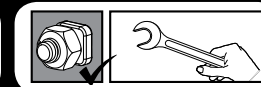
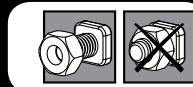
Paso 39 + 40: Una vez que se elija la ubicación de la ventana, por favor, gire la pieza **7316** en la posición correcta en el mismo modo.

Paso 56: en el caso de que la ventana no cierre adecuadamente, por favor, extraiga los tornillos, **Paso 42** ajuste el perfil y apriete los tornillos.

* Apriete todos los tornillos una vez esté completado el montaje.

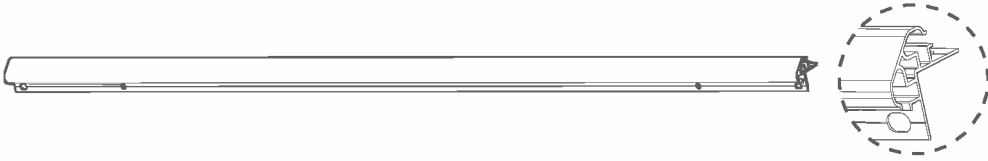
Los tornillos 411 y las tuercas 412 & 466 son usados durante todo el proceso de montaje.


- Los tornillos 411 deben ser montados desde el exterior y las tuercas 412 & 466 desde el interior del invernadero.
- No apriete los tornillos y tuercas (411, 412 & 466) más de 23- vueltas. No los apriete hasta terminar el montaje de los paneles, a menos que orientado de otra manera.
- Sin embargo, en algún paso puede ser necesario apretar de forma temporal algunos tornillos para evitar que se caiga un perfil.





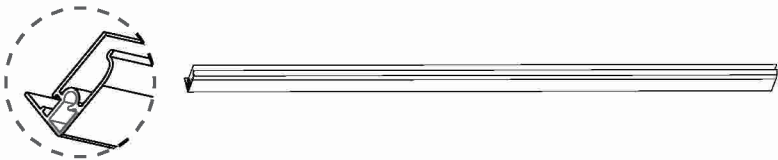
Note: Inmediatamente después de completar el ensamblaje, vincule firmemente el producto a una superficie nivelada.
Ancle firmemente el producto a una superficie nivelada inmediatamente después de finalizar el ensamblaje.

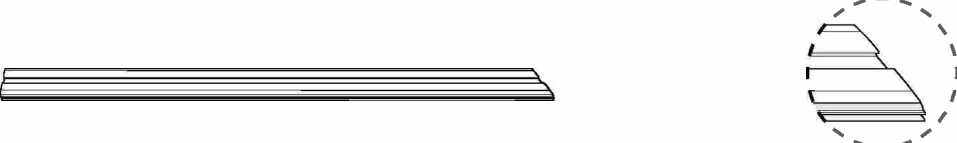
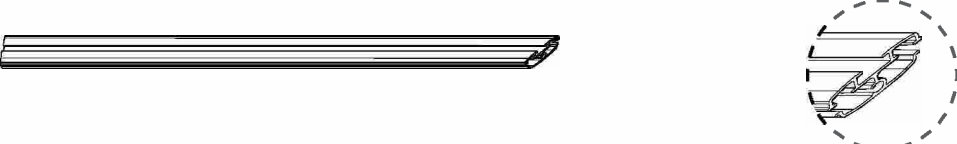
Contents


Item		Qty.
996		8



Item		Qty.
7309		4

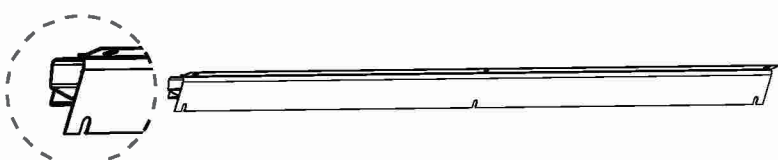
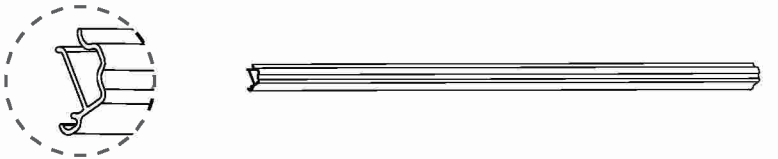
983		1
993		14

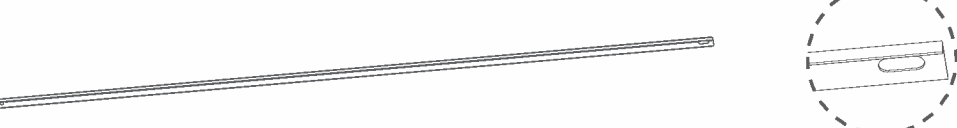
992		2
-----	---	---


7312		1
7313		1

977		2
-----	---	---

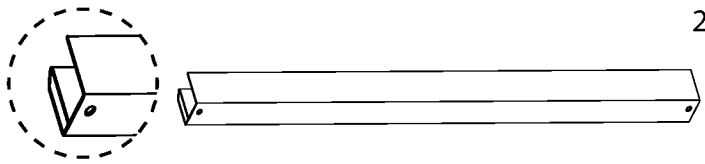
7311		2
7310		2


976		4
981		8

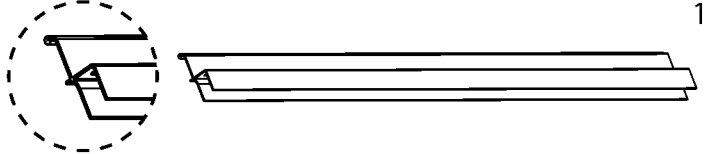
256		8
-----	--	---

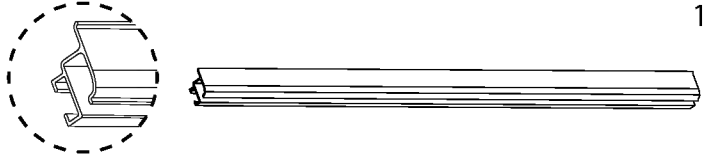
999		5
-----	---	---

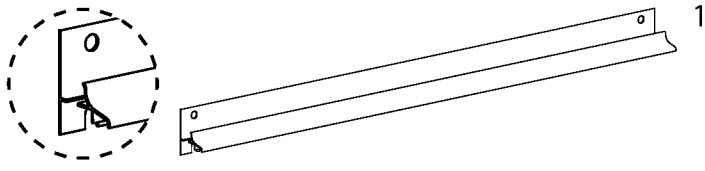
Contents


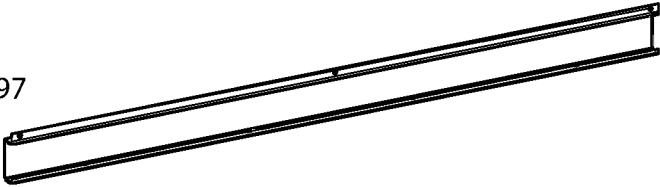
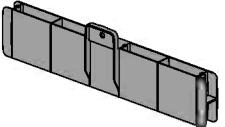
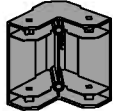
Item		Qty.
984		2

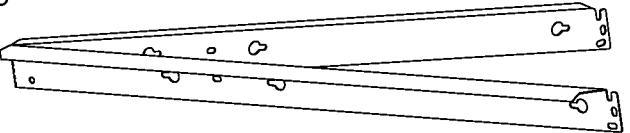
991		1
-----	---	---

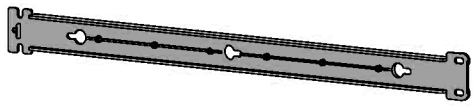
989		1
-----	---	---

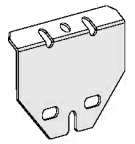
990		1
-----	--	---

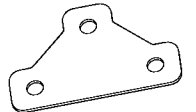
986		1
-----	---	---

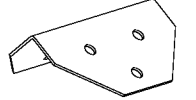
Item		Qty.
7596		2
7597		6
8447		4
7602		4

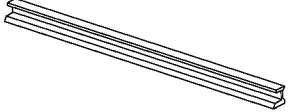
955		1
-----	---	---

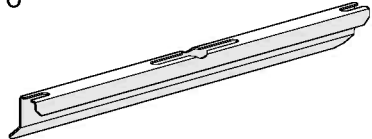
8549		2
------	---	---

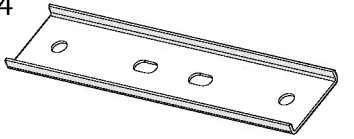
08		2
----	---	---


288		3
-----	---	---

07		1
----	---	---

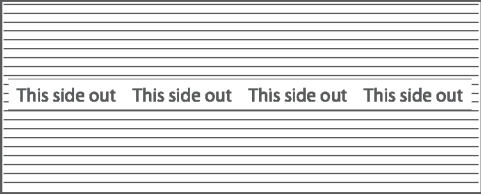
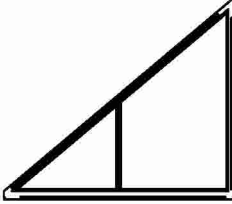
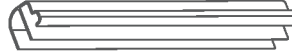


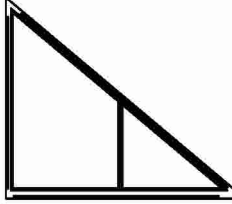
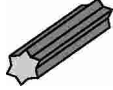



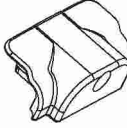
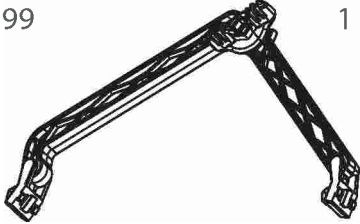
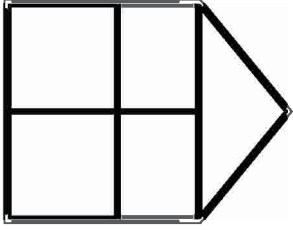

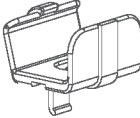
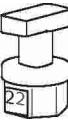
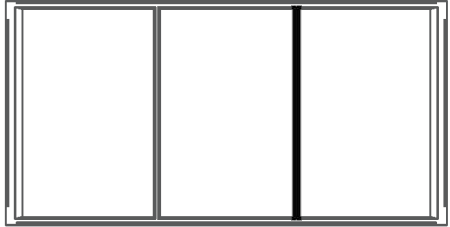

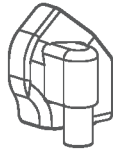
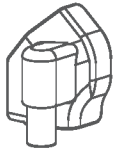
8378		4
------	---	---

7316		1
------	---	---

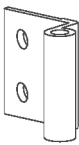


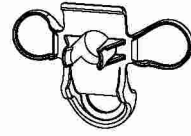
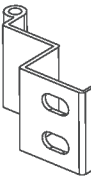

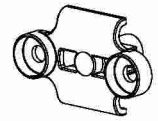


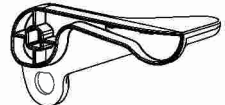


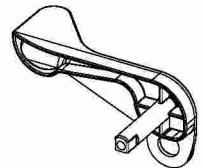



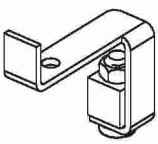


7314		2
------	---	---

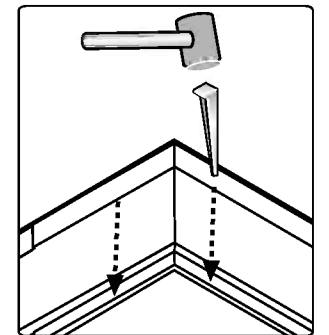
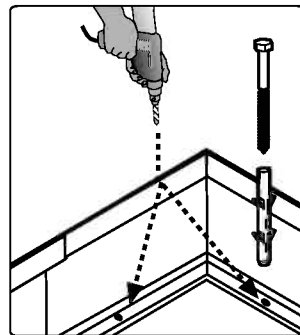
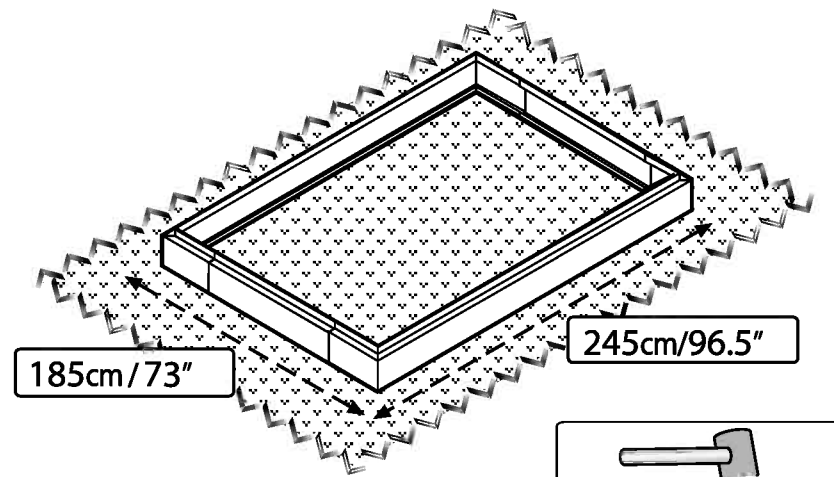
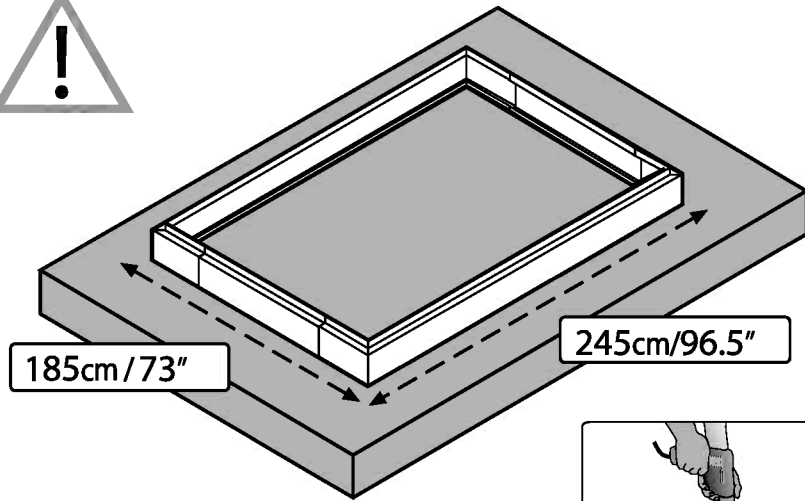
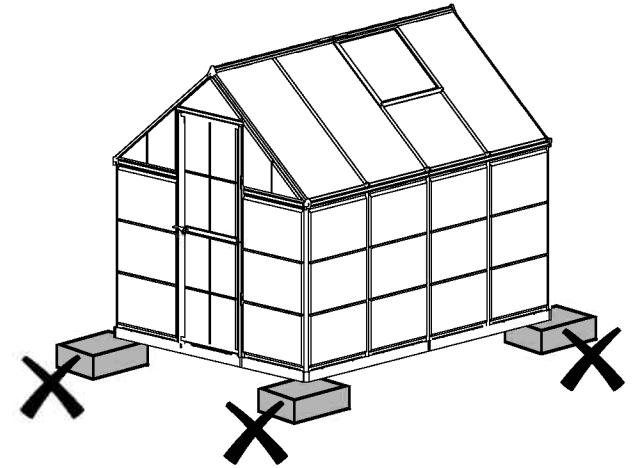
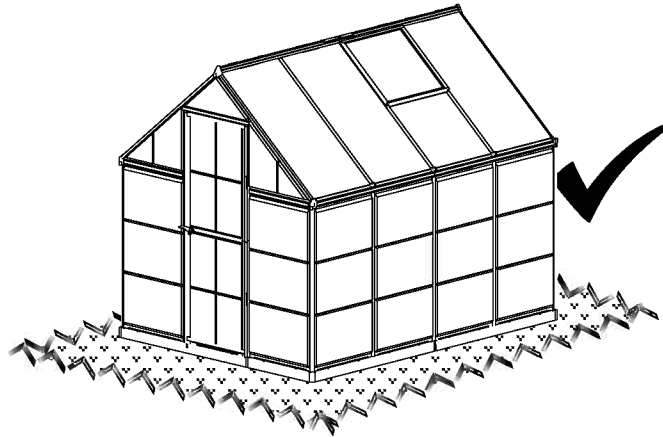
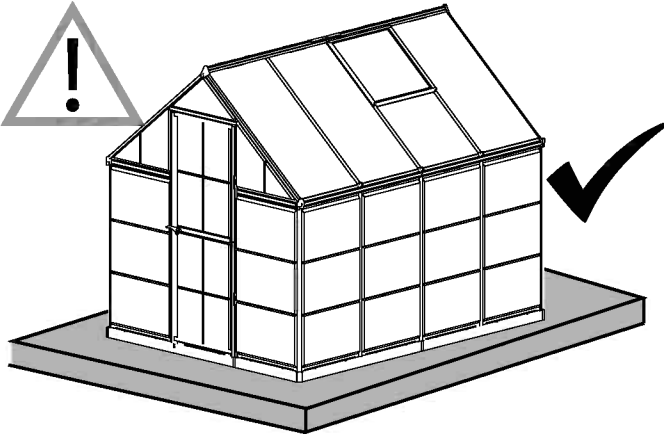
956		1
-----	---	---

Contents

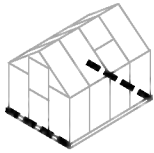
Item	Qty.	Item	Qty.	Item	Qty.	Item	Qty.
581	7	559	2	318 PVC	15 (+1)	343	2
							
586	2	560	2	7009	2 (+1)	328	19 (+8)
							
567	2	570	1	329	6	99	1
							
553	1	3017	2	292	2	22	2
							
7011	13	3016	1	344 L	2	344 R	2
							

Contents

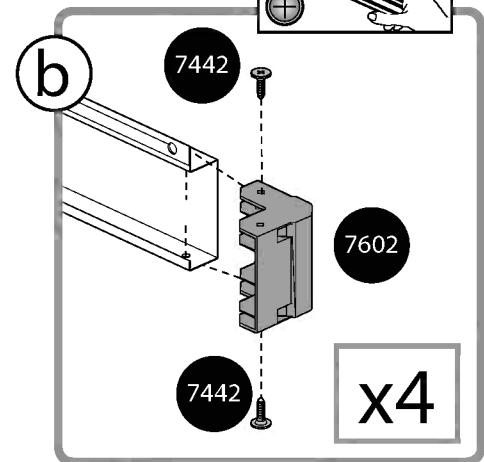
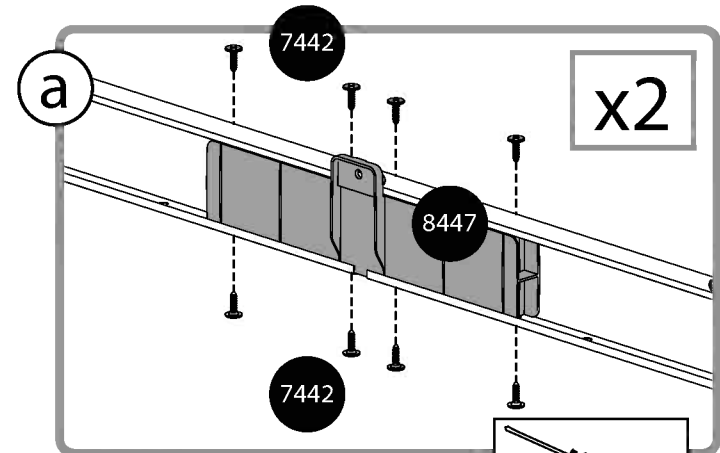
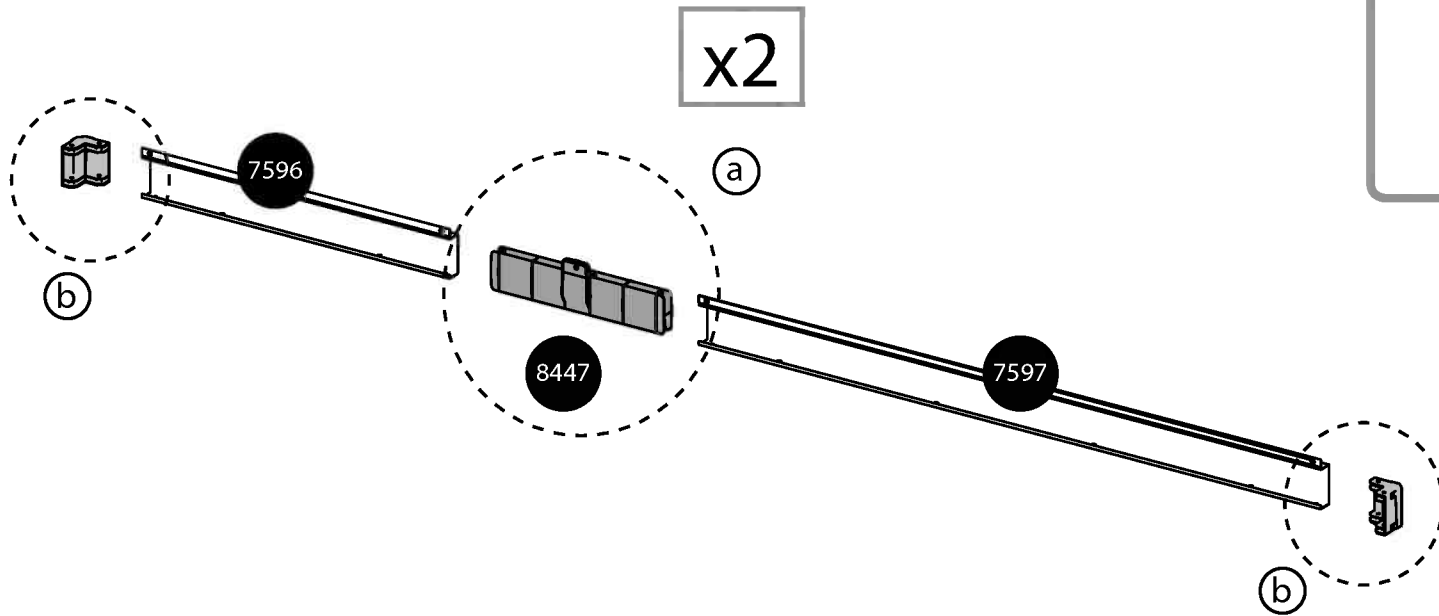
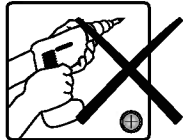
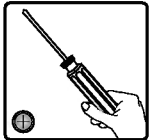
Item	Qty.	Item	Qty.	Item	Qty.	Item	Qty.
464	4	411	129 (+10)	T 100	1	7086	1
							
462	2	412	129 (+10)			7085	1
							
465	8 (+1)	4008	10 (+1)			7084	1
							
422	8 (+1)	4045	16 (+2)			7083	1
							
463	2	7442	52 (+3)			7088	1
						 M4 x 50 mm	
4037	1	4043	6 (+1)			423	1
							

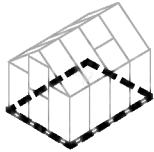


1

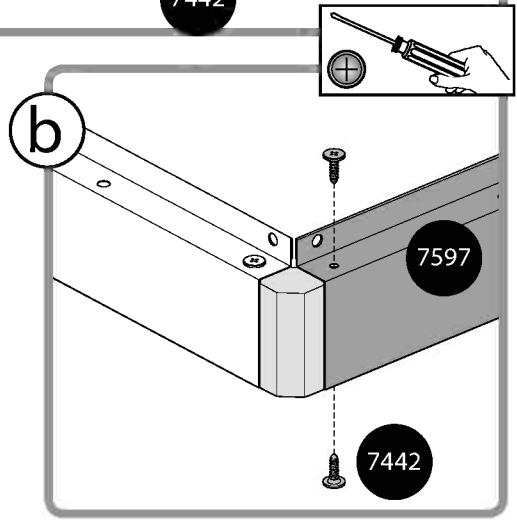
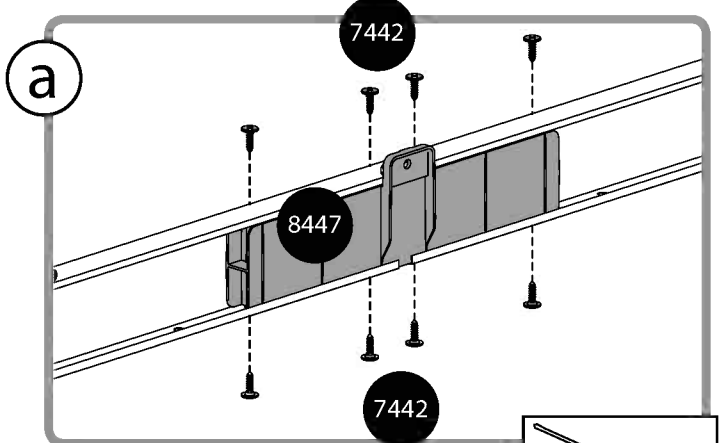
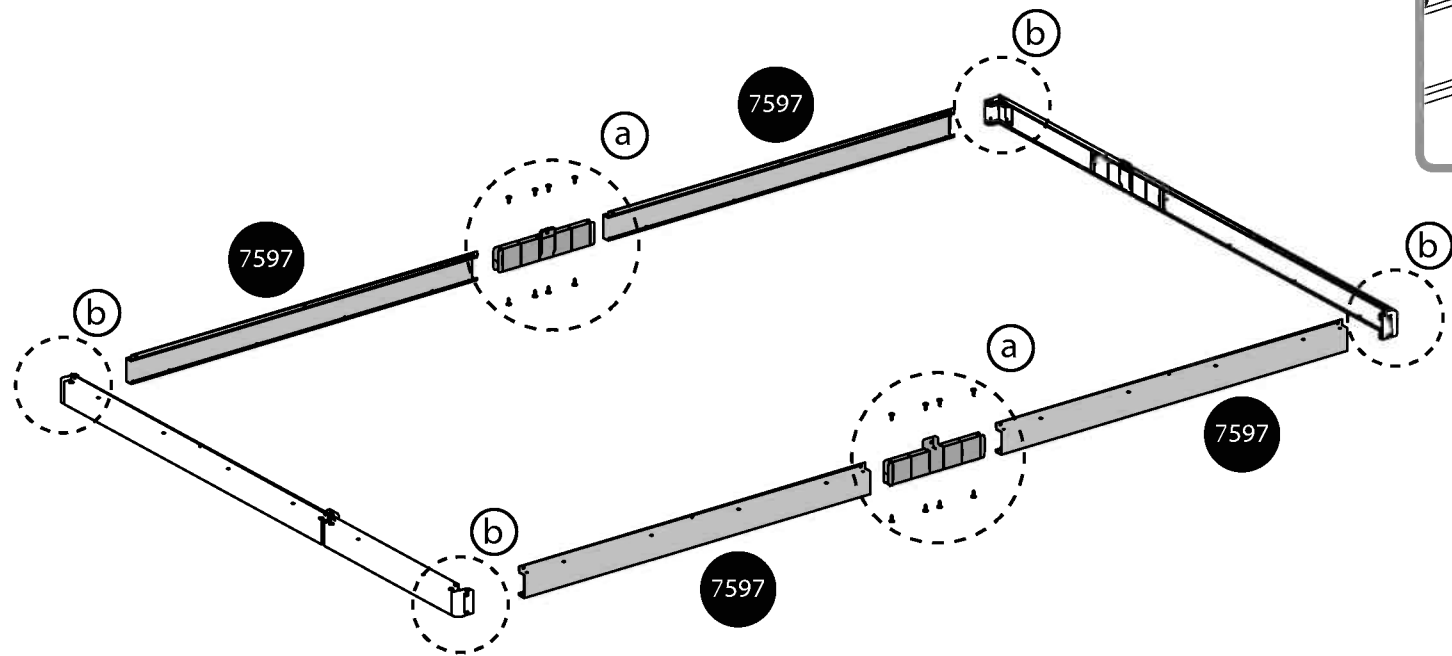
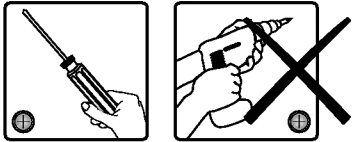


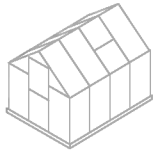
- 7596 2
- 7597 2
- 8447 2
- 7602 4
- 7442 24

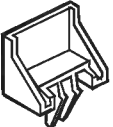


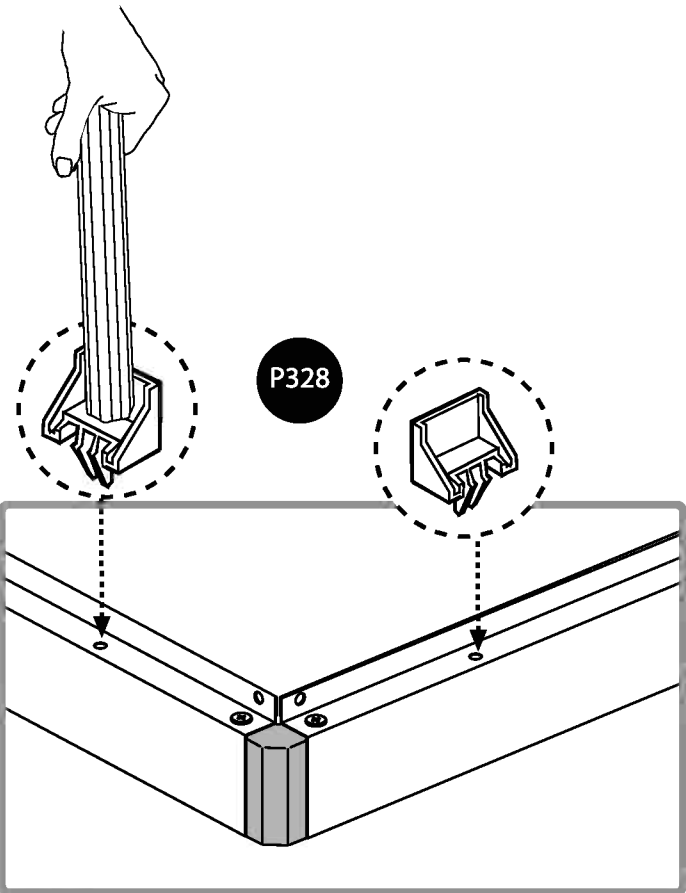
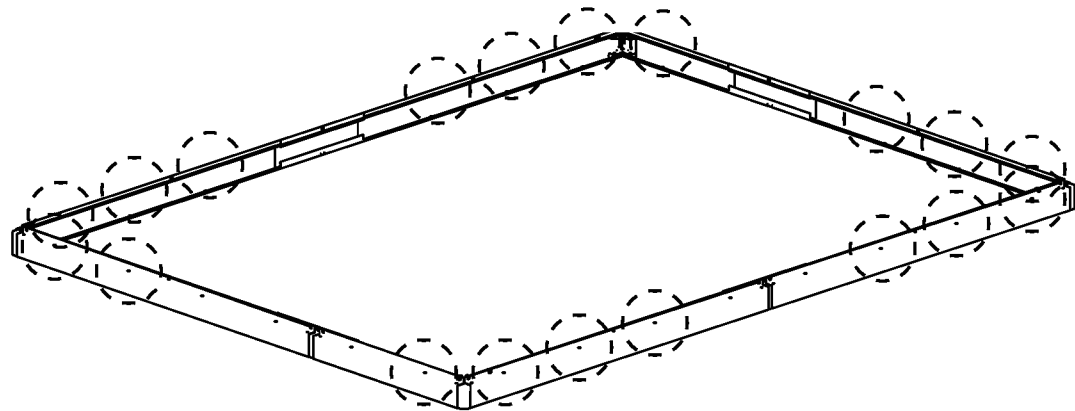
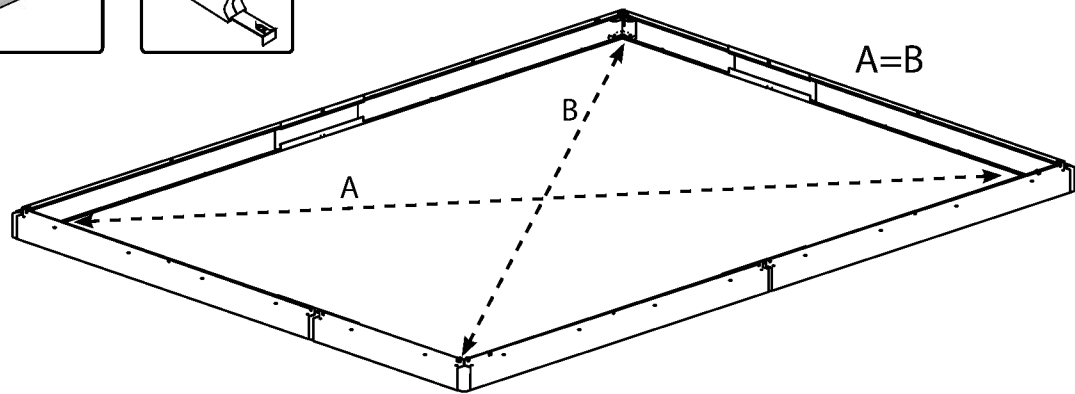
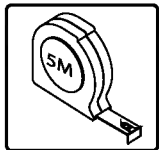
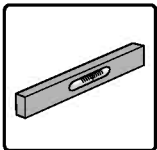


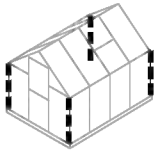
7597 4 8447 2 7442 24





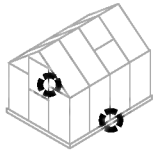
32819






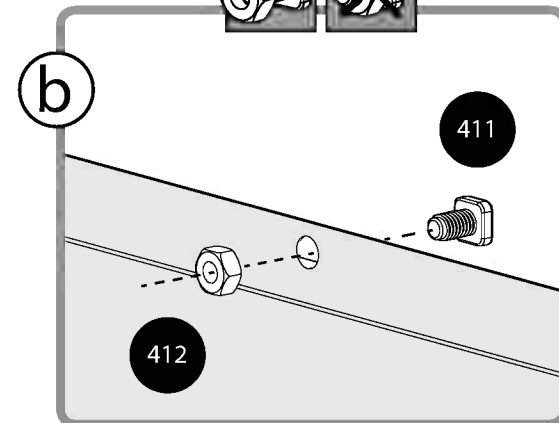
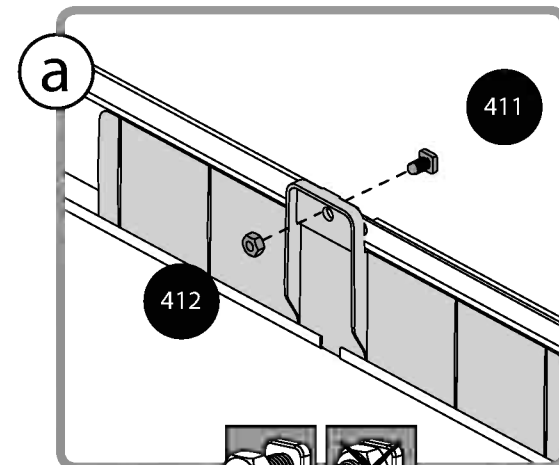
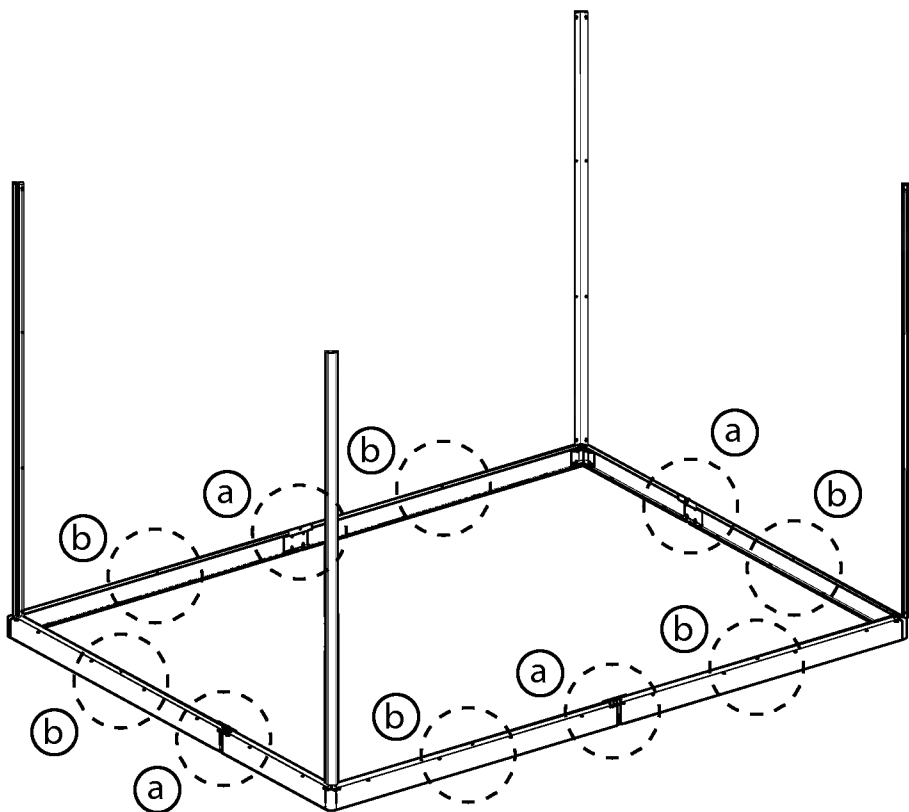
411 8 412 8 996 4

a

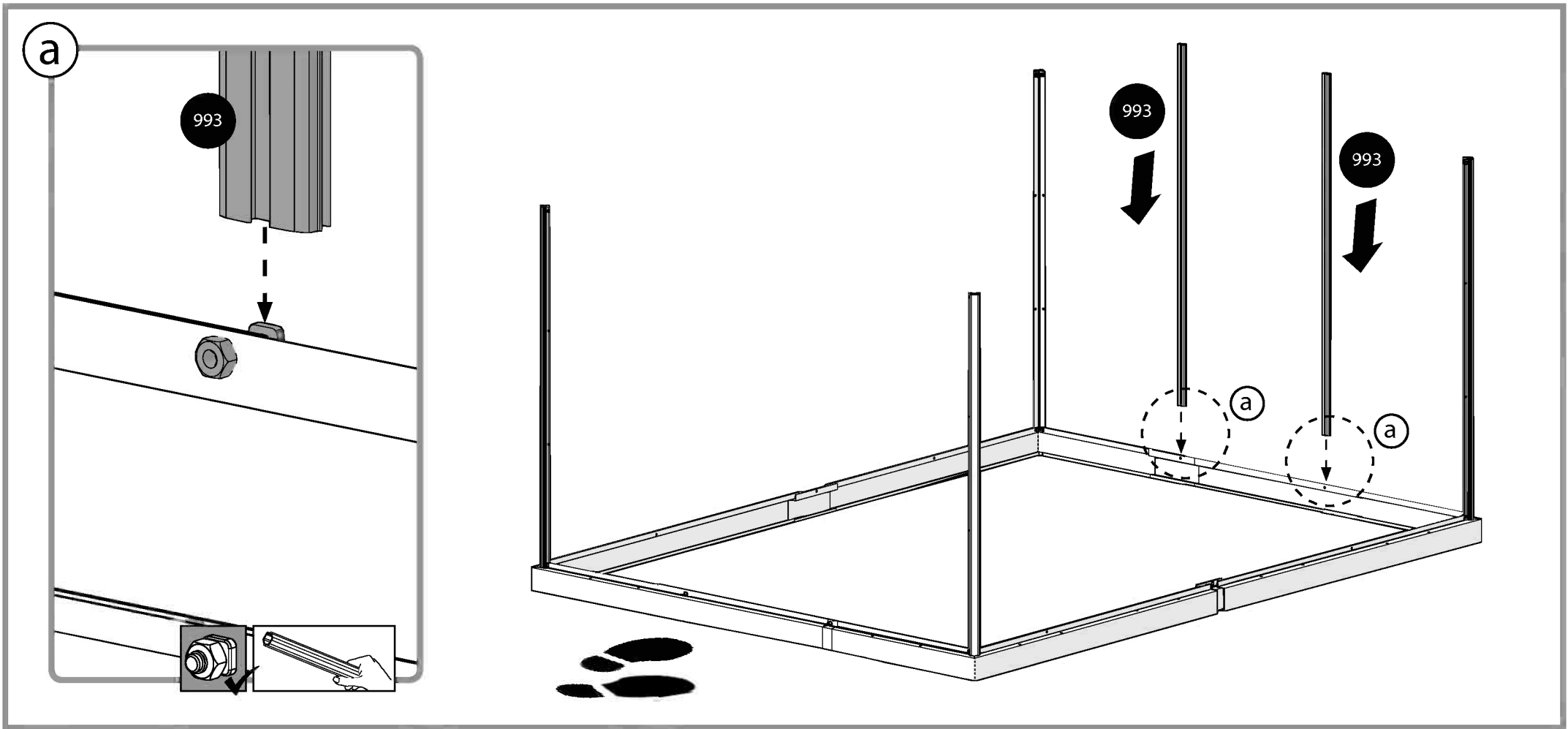
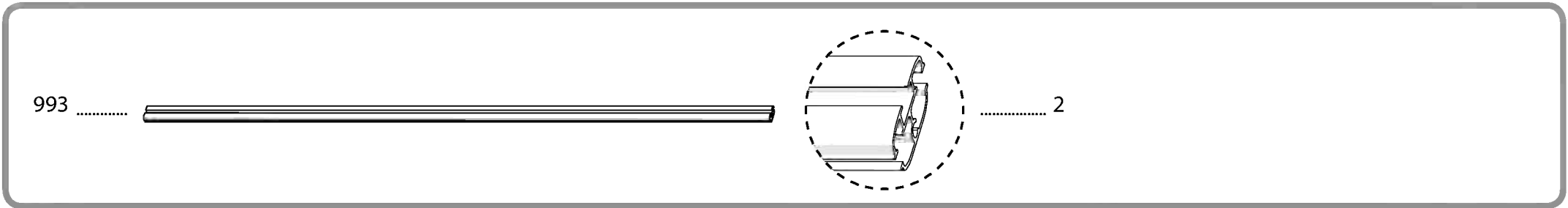
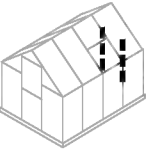


411  10

412  10



6 **i**





955 1

956 1

411 4

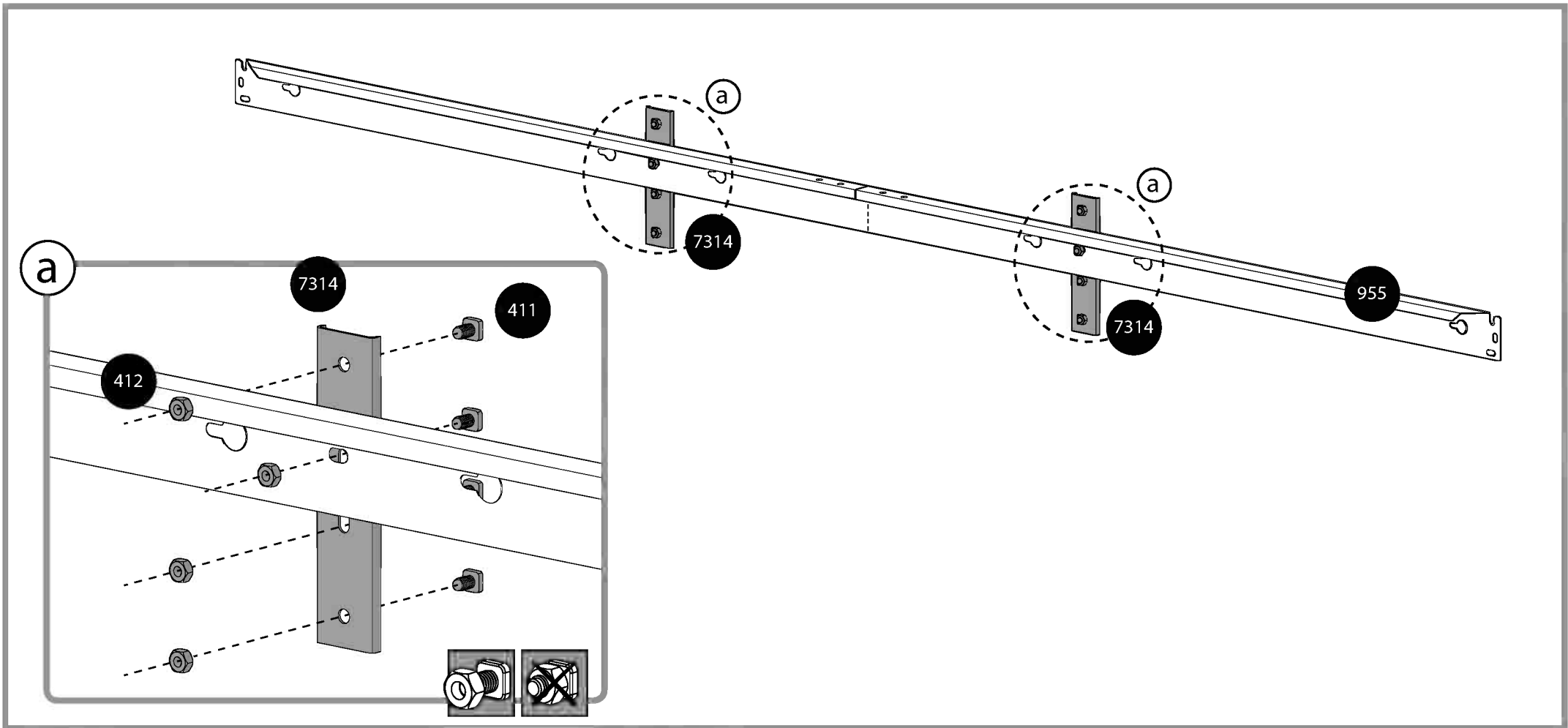
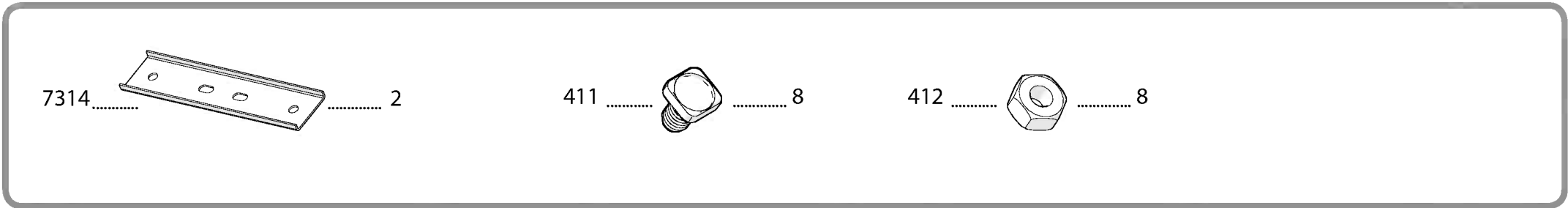
412 4

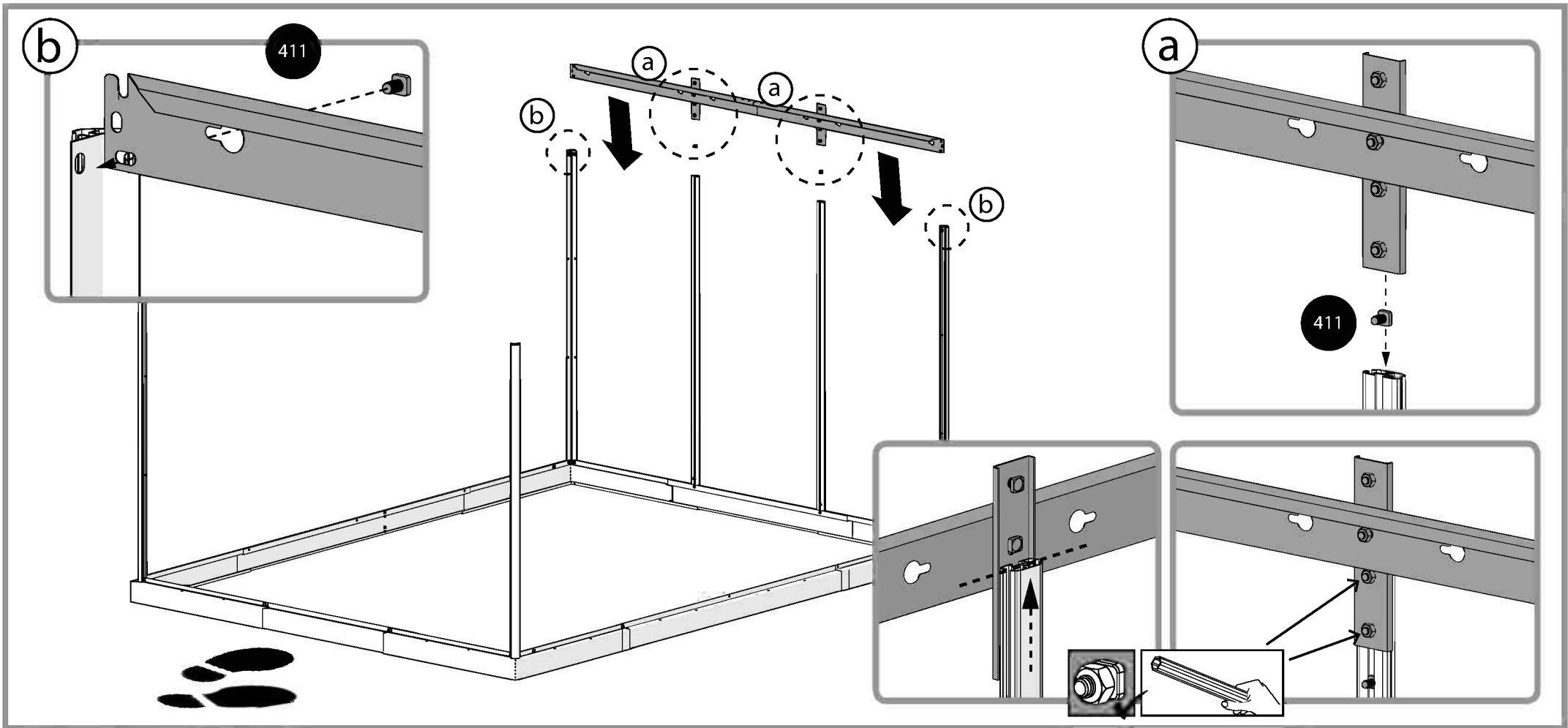
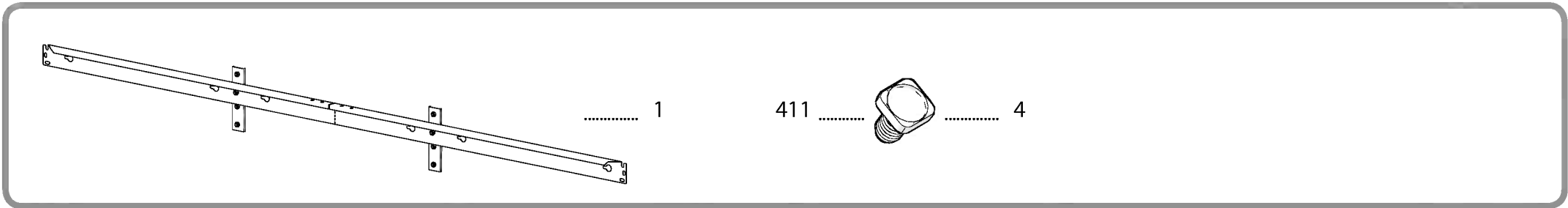
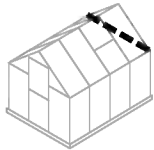
955

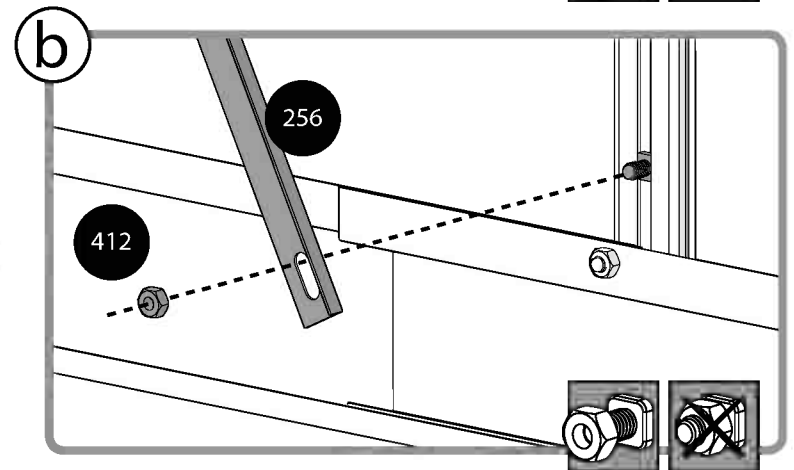
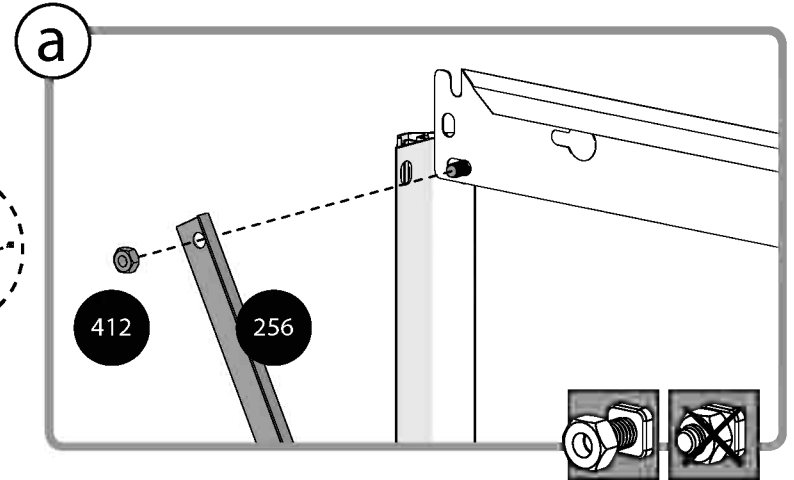
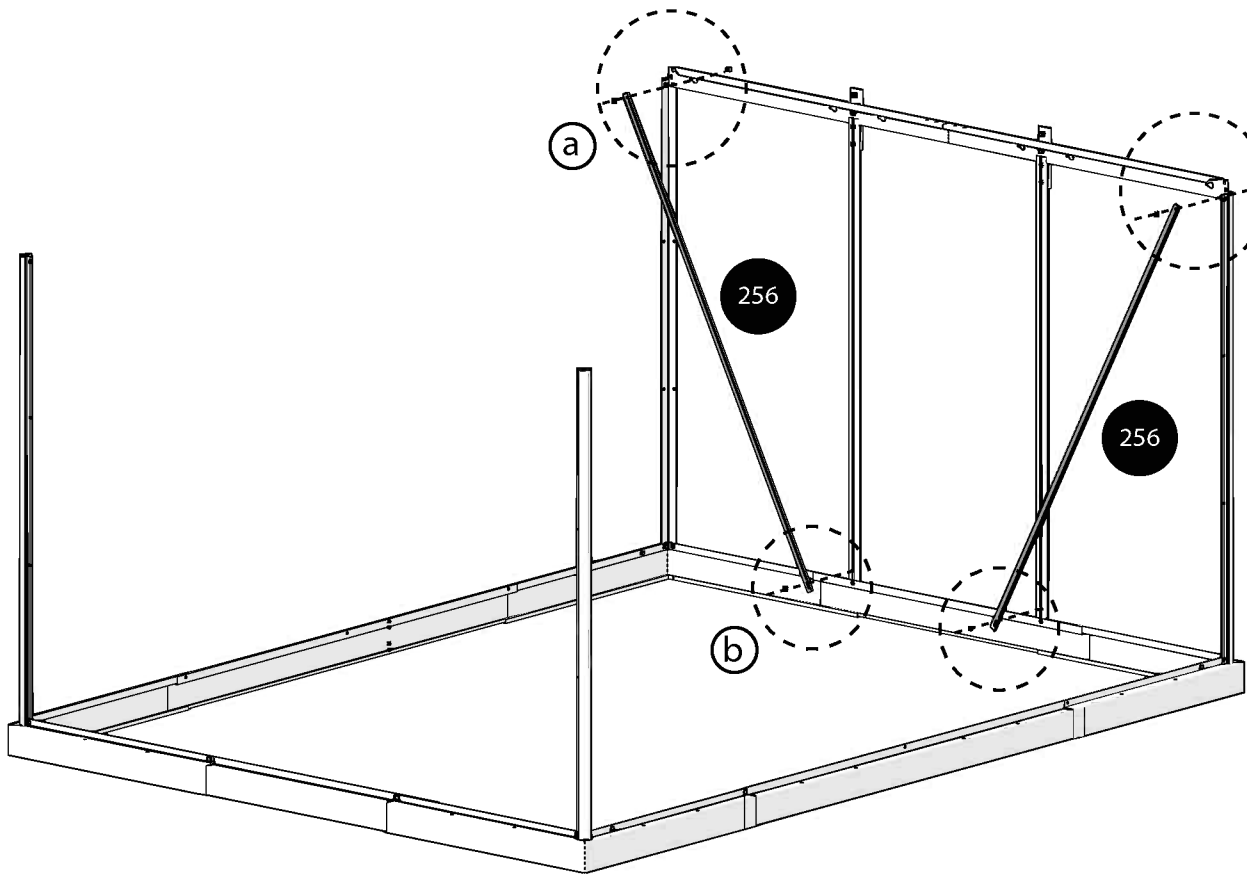
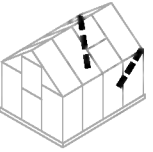
956

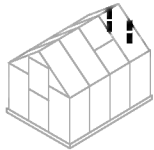
411

412



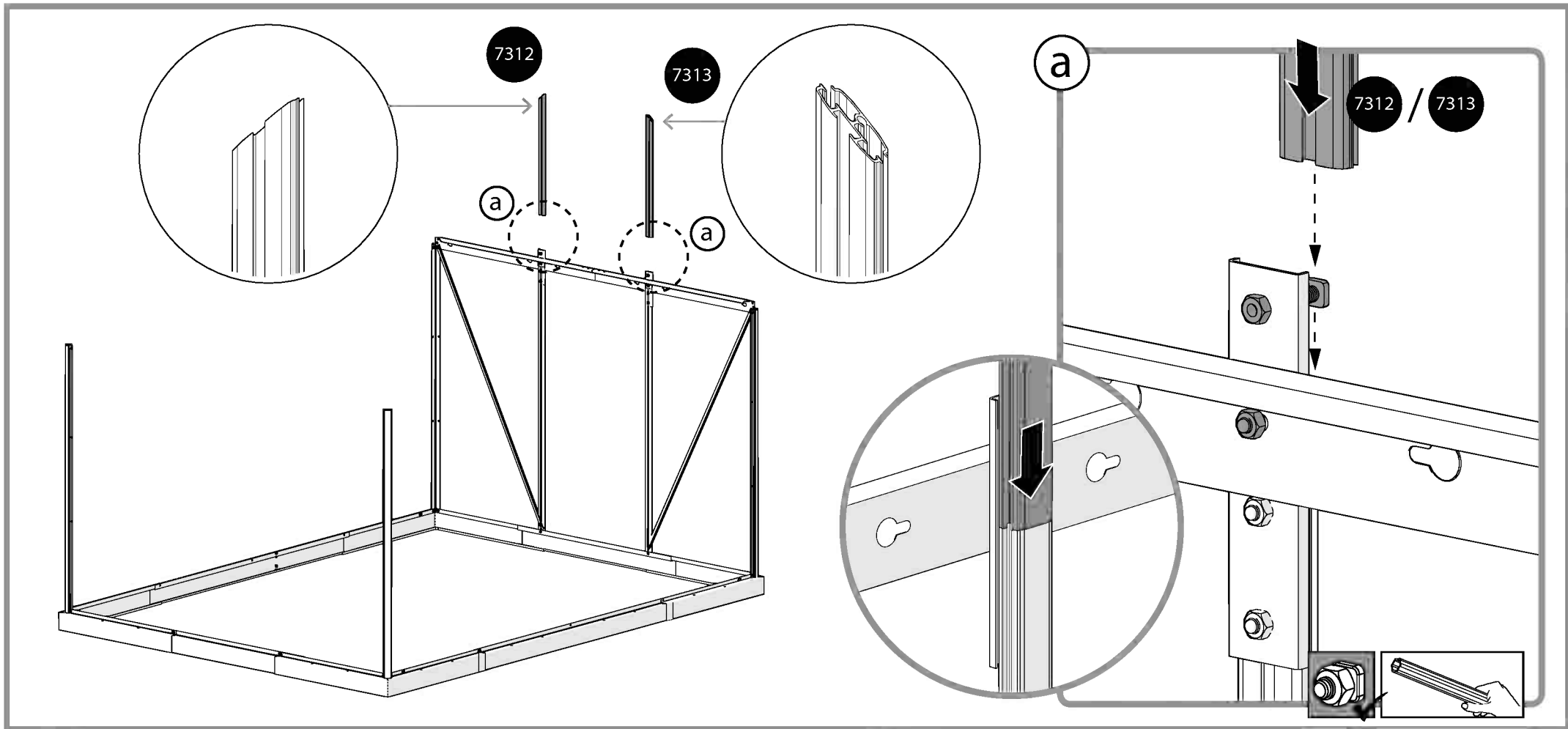


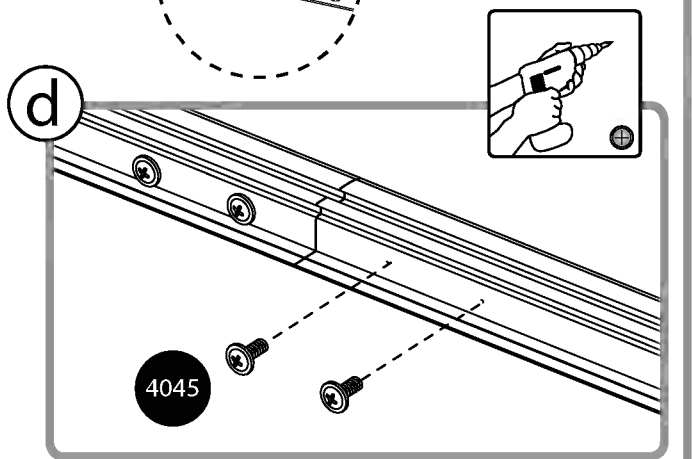
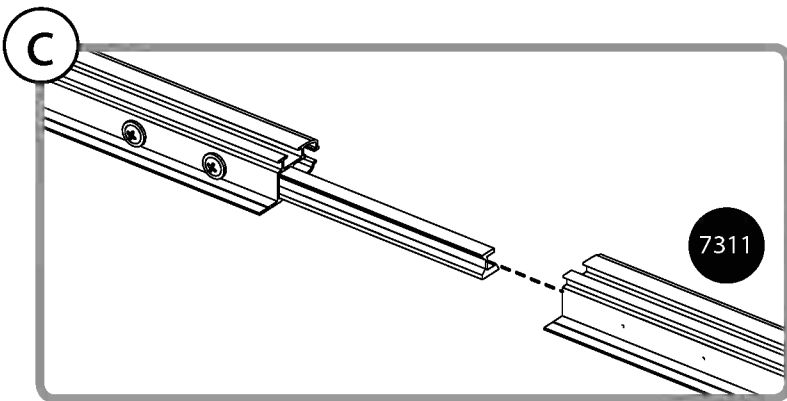
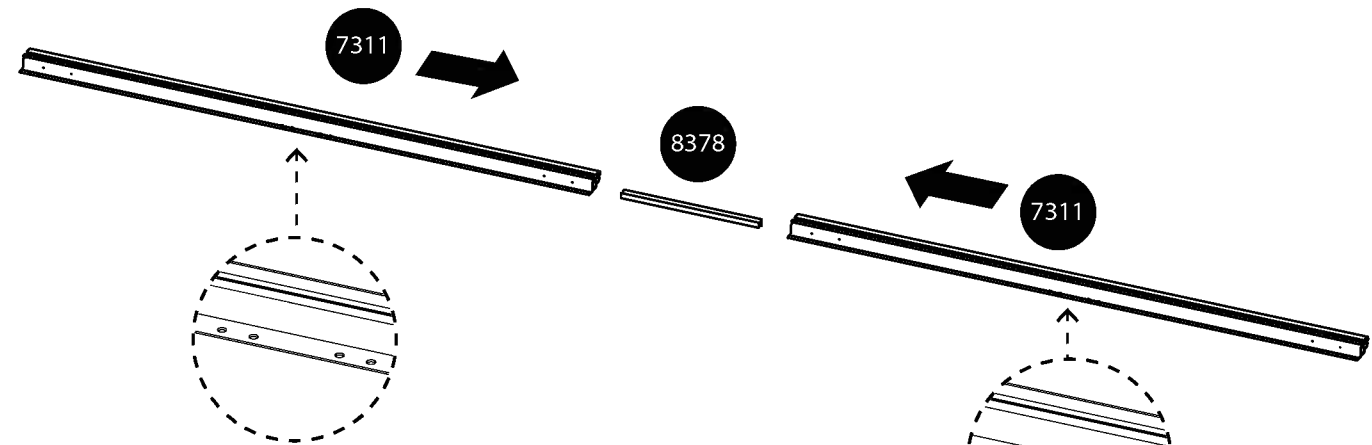
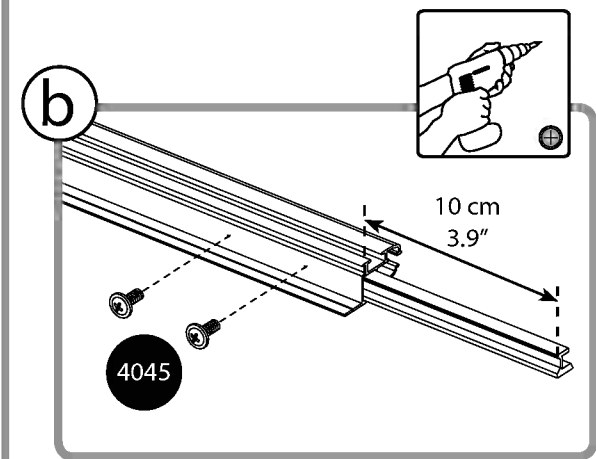
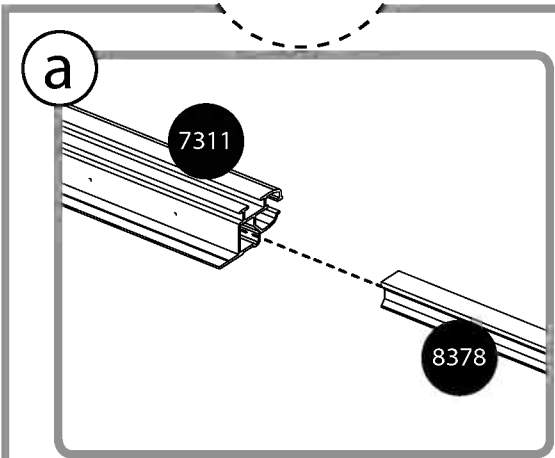
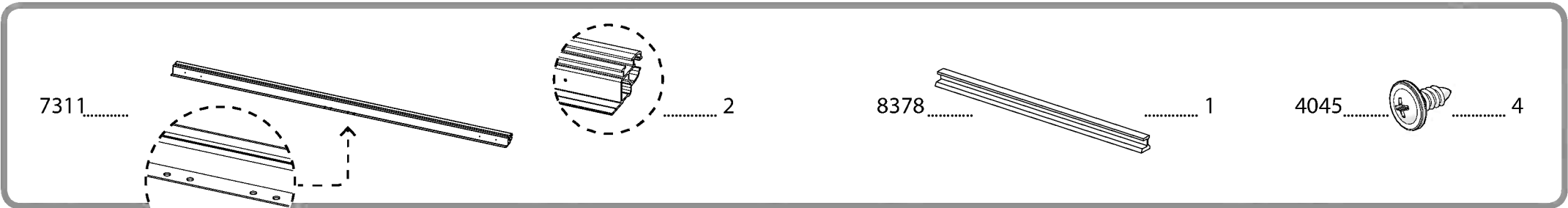
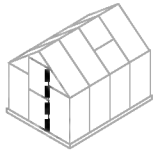


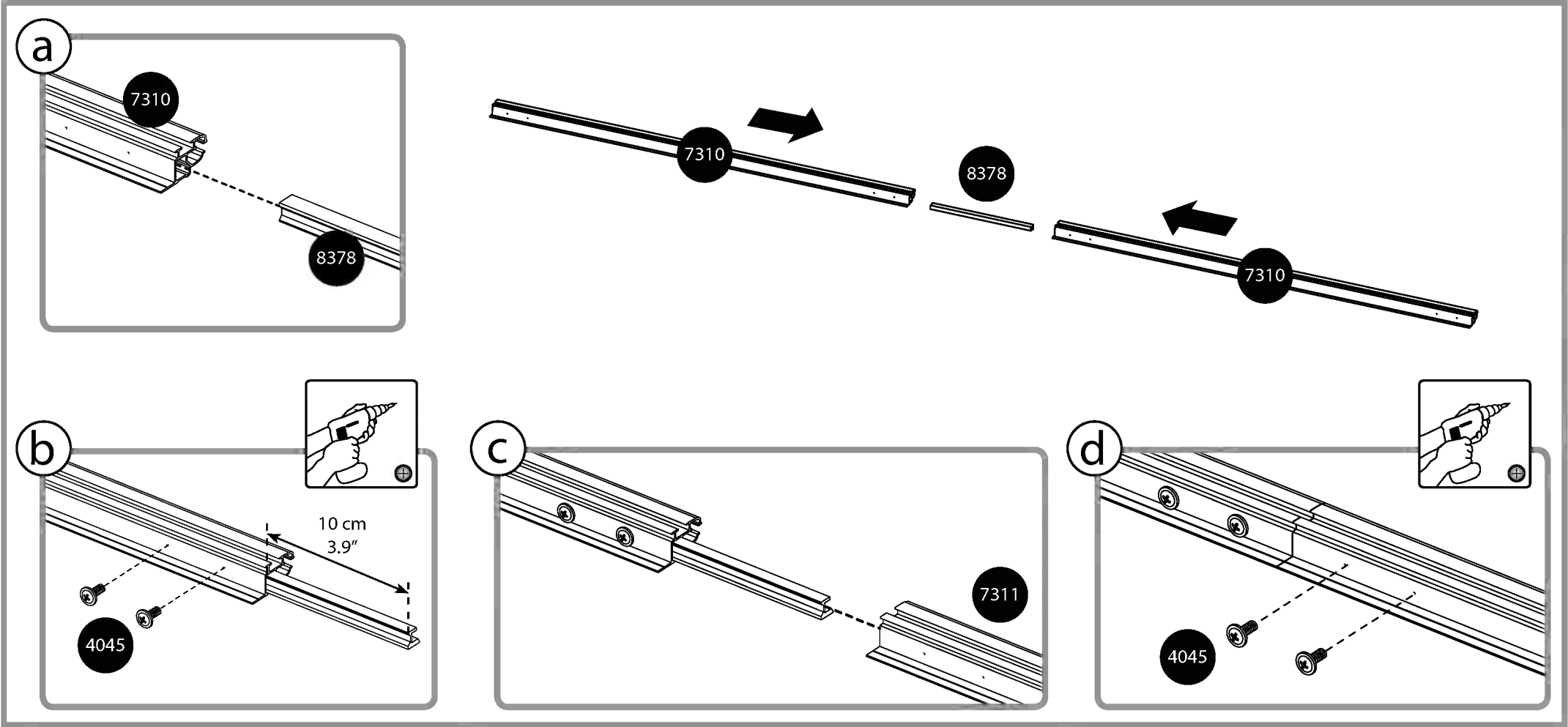
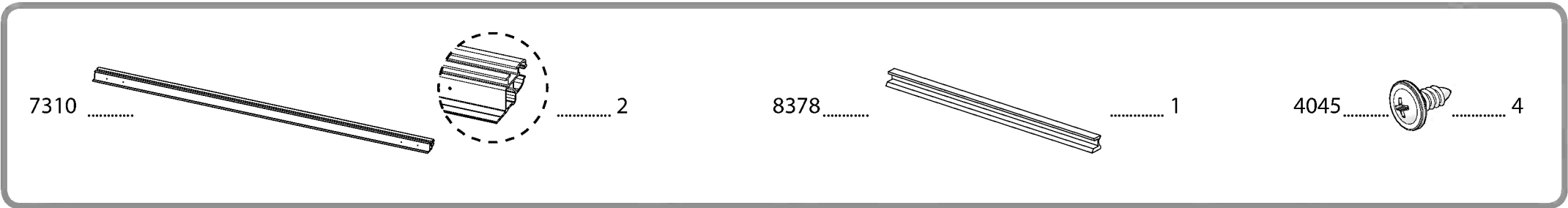
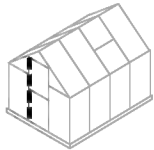


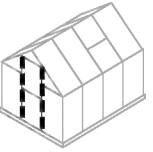
7312  1

7313  1



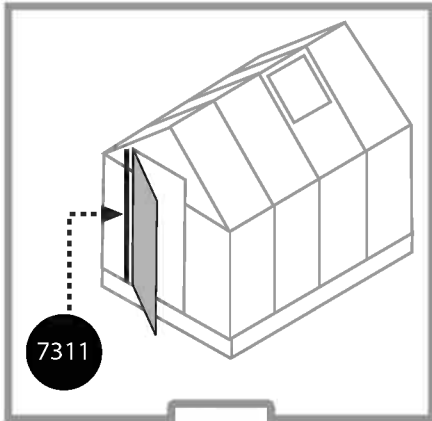




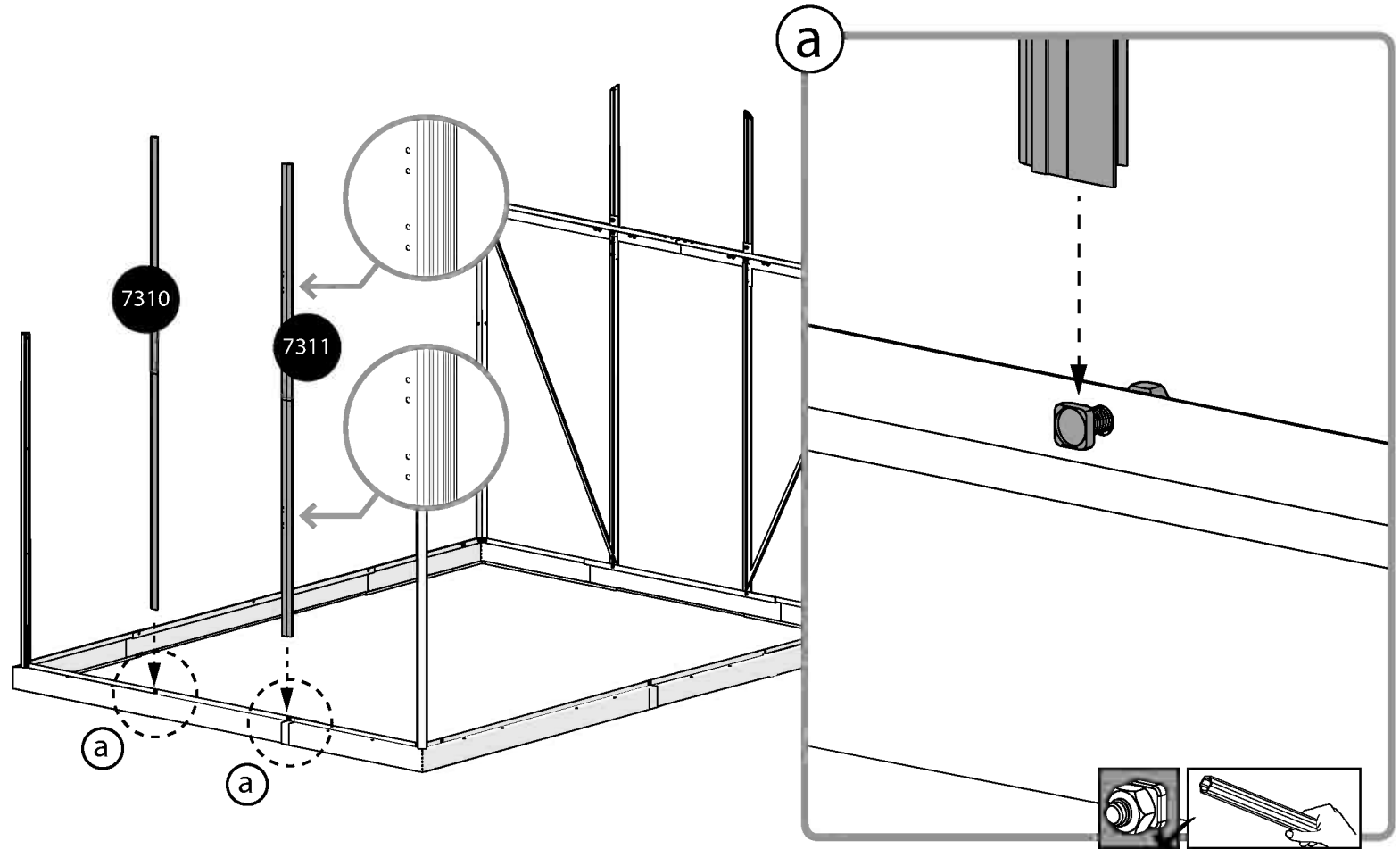
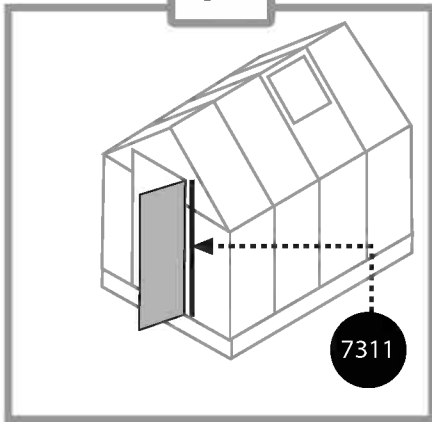


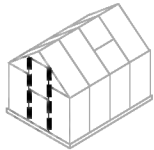
7310  1

7311  1

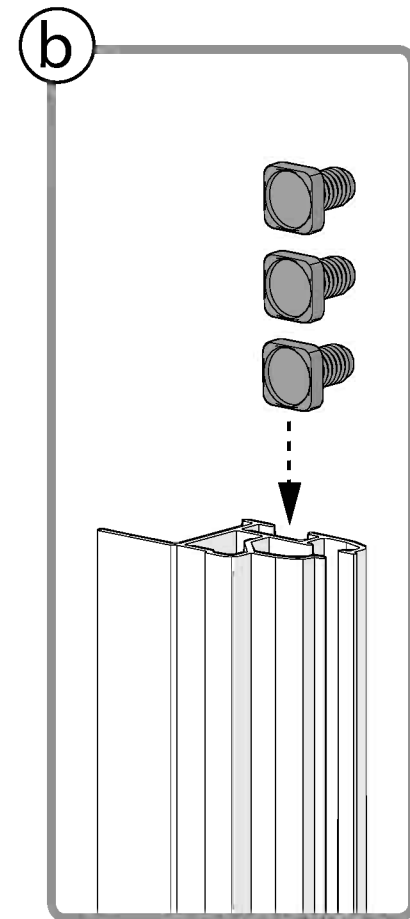
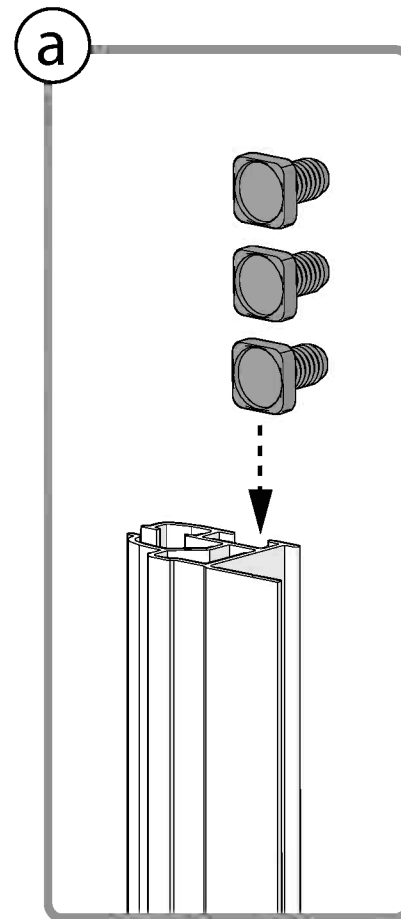
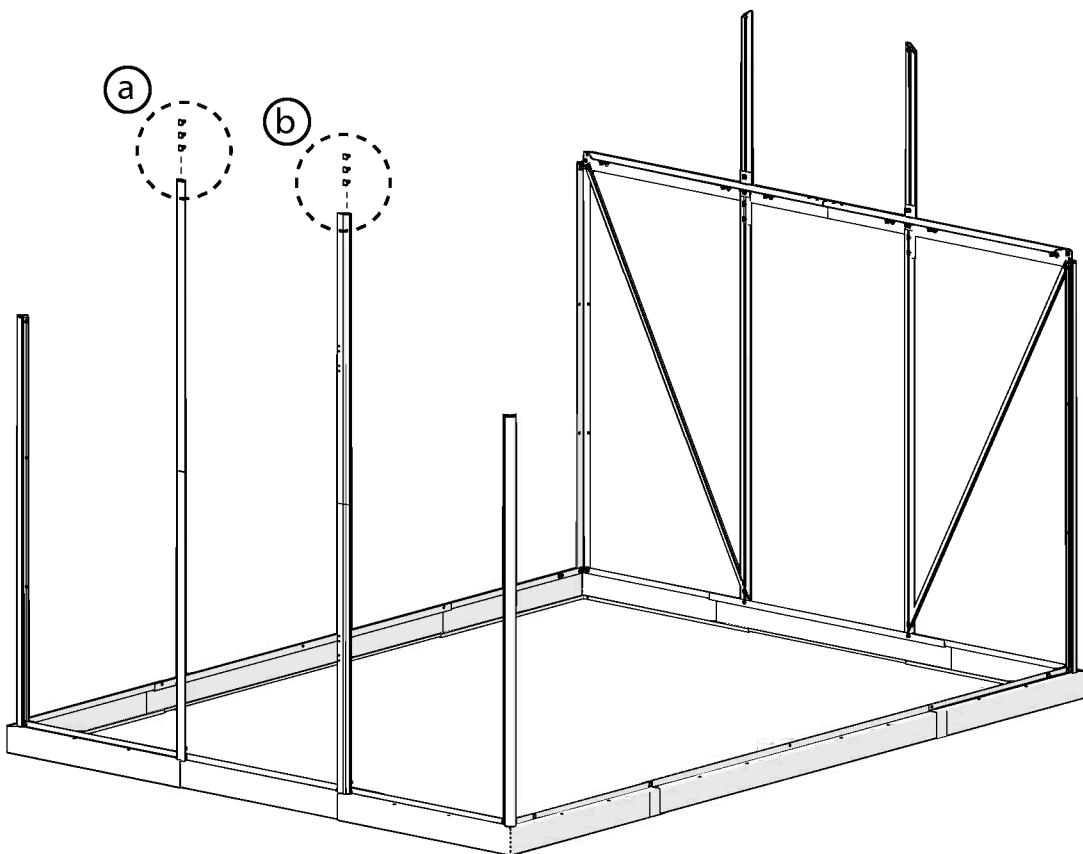


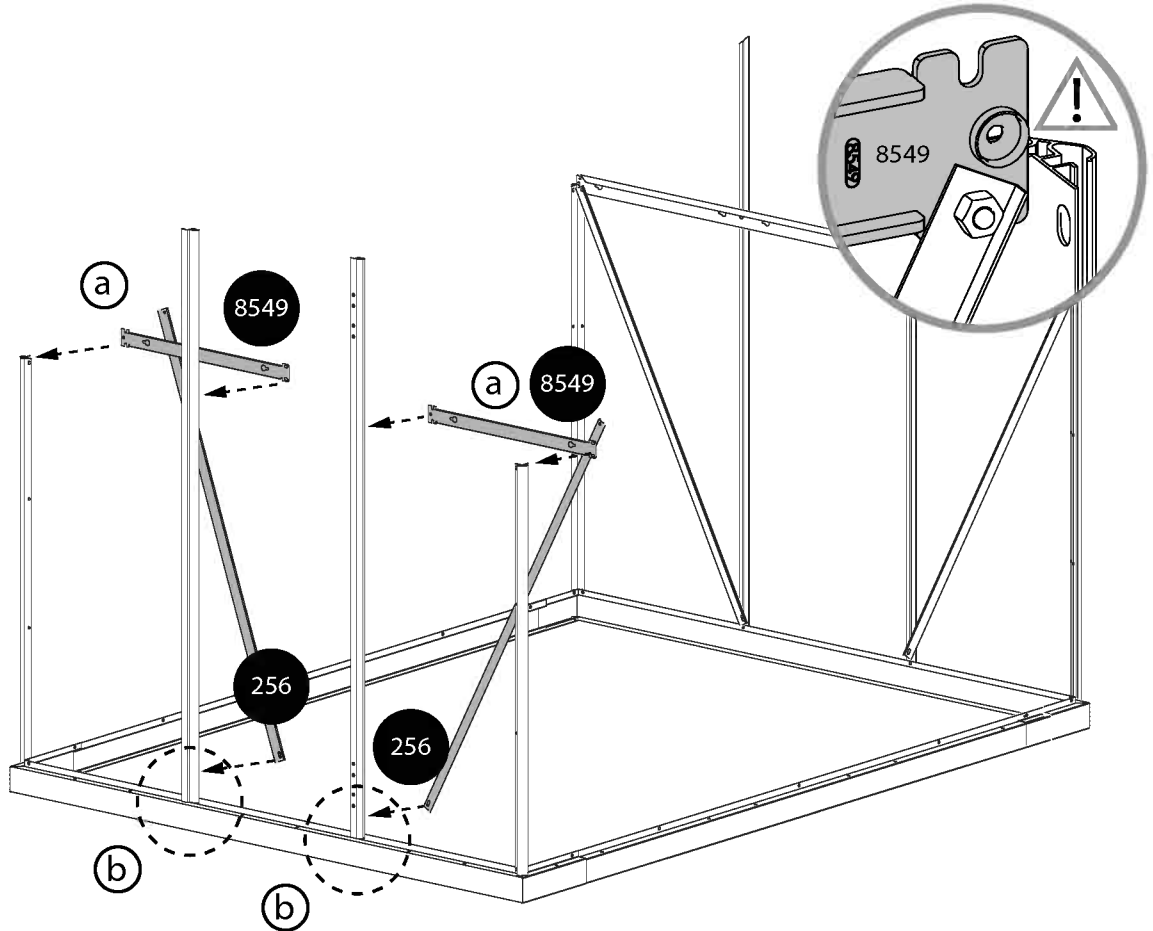
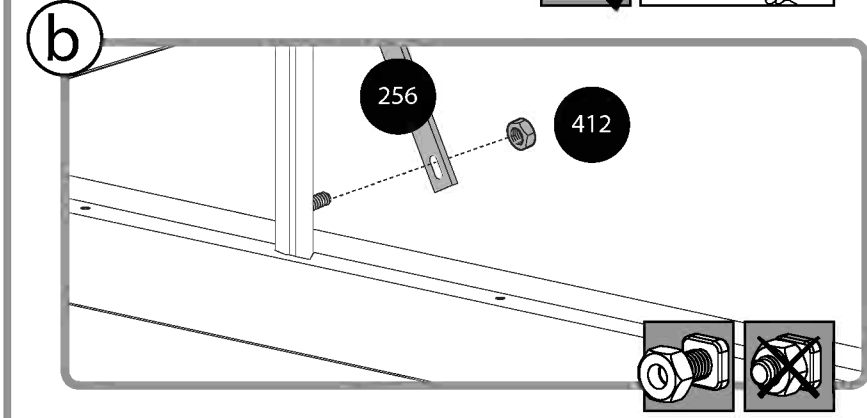
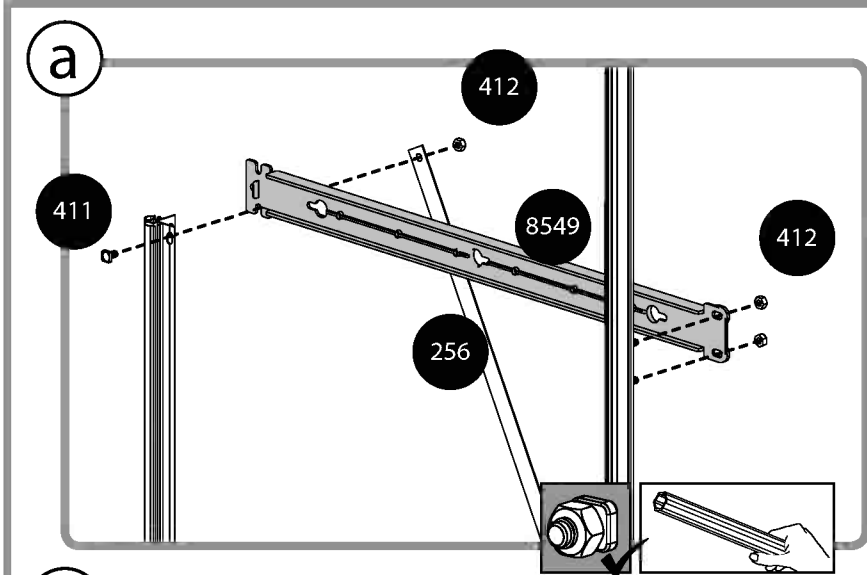
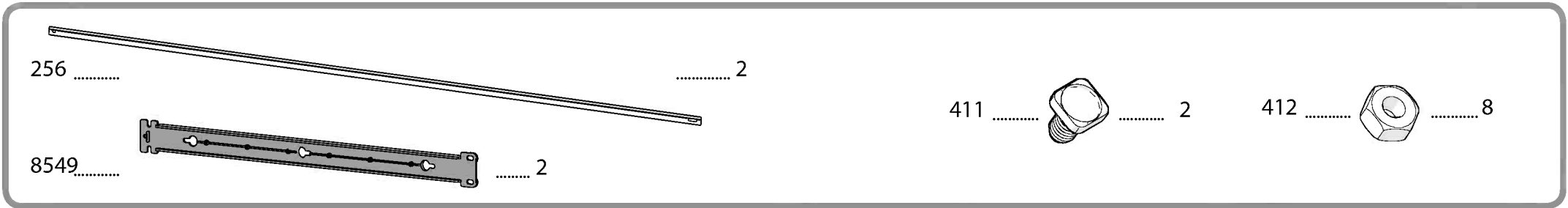
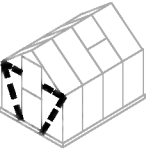
or

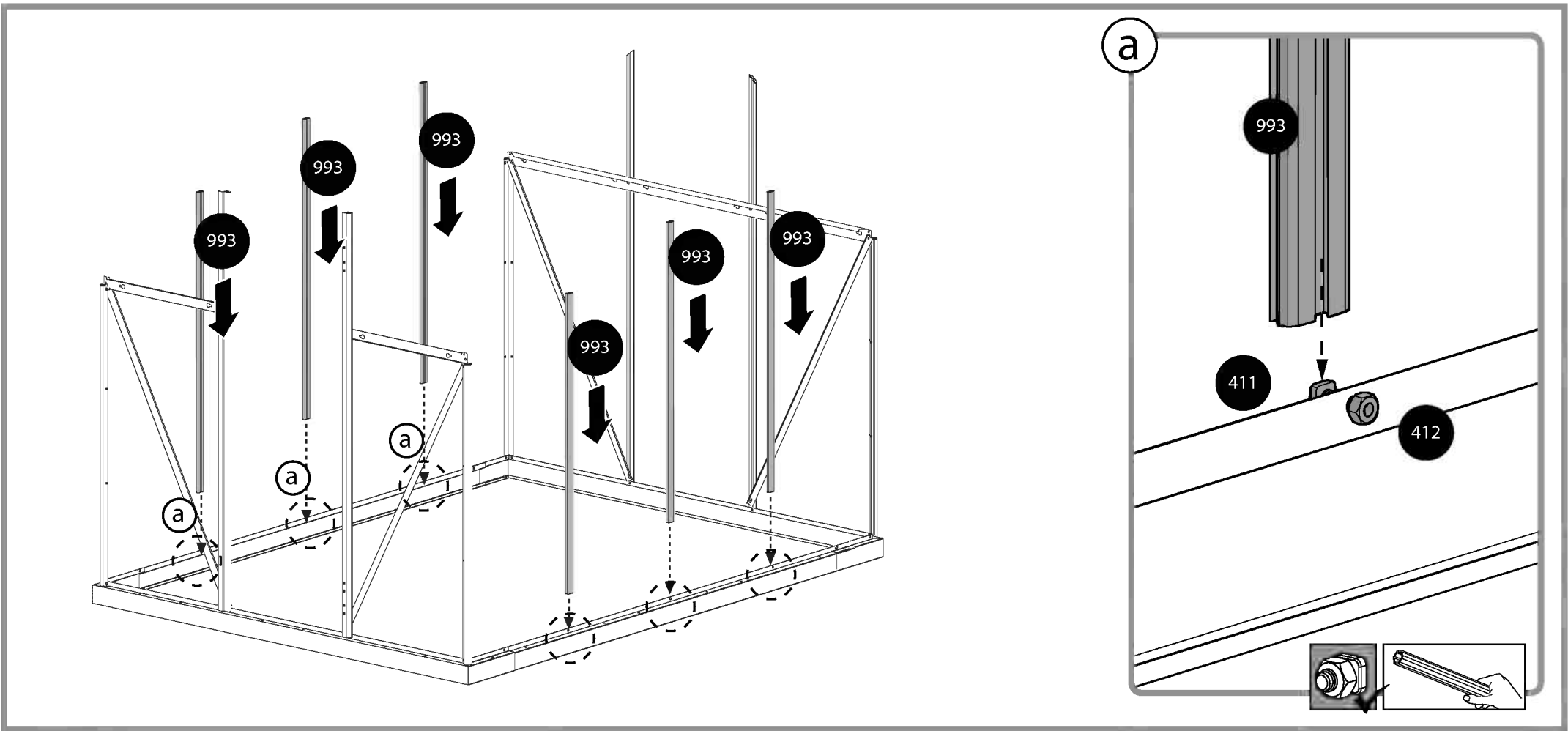
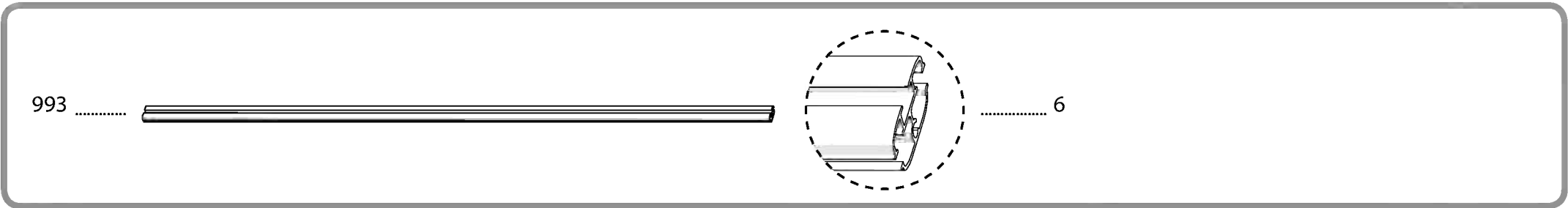
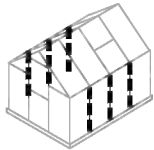


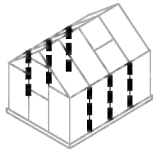


411  6

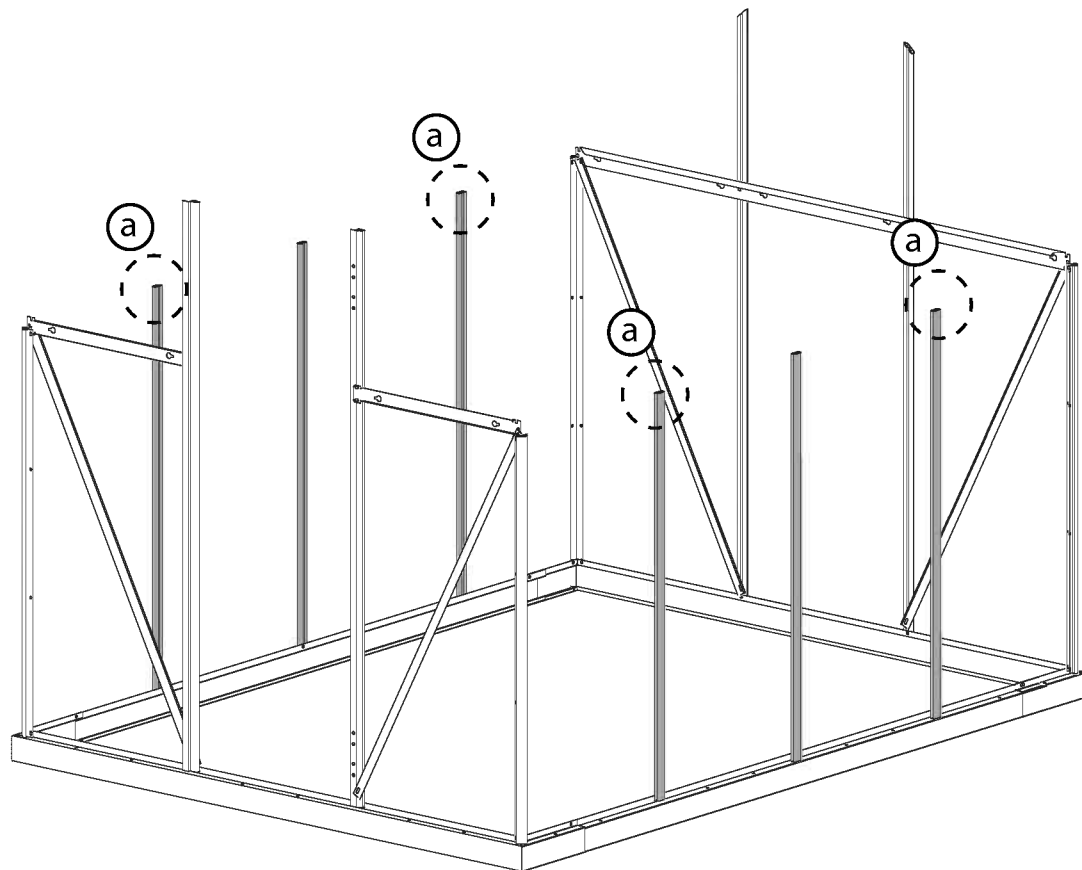
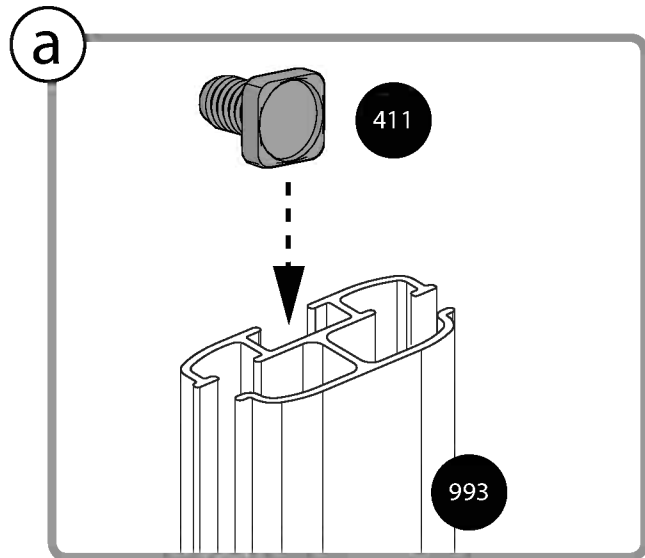


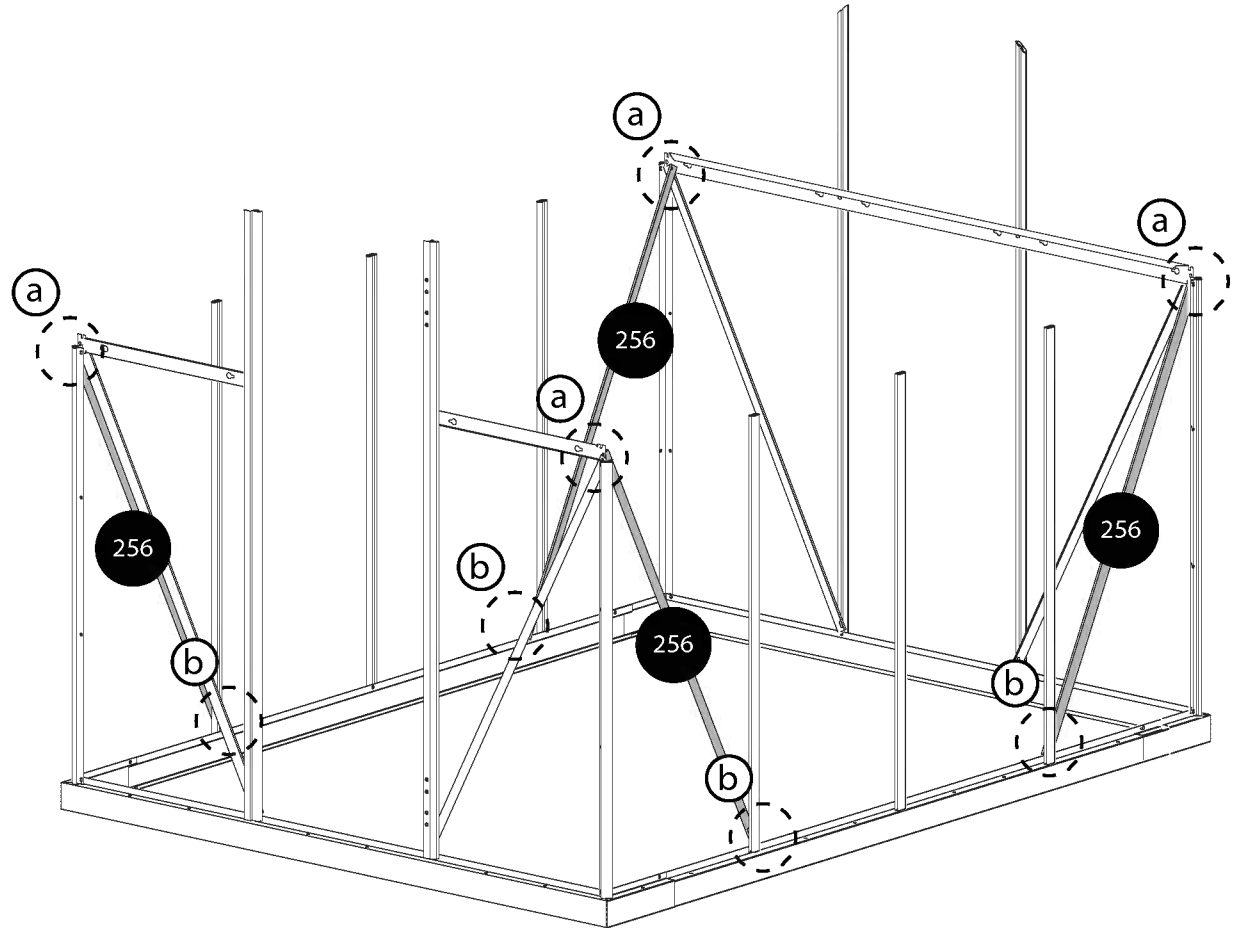
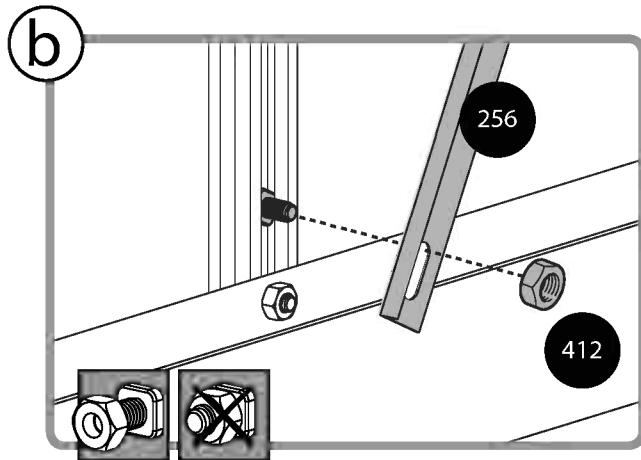
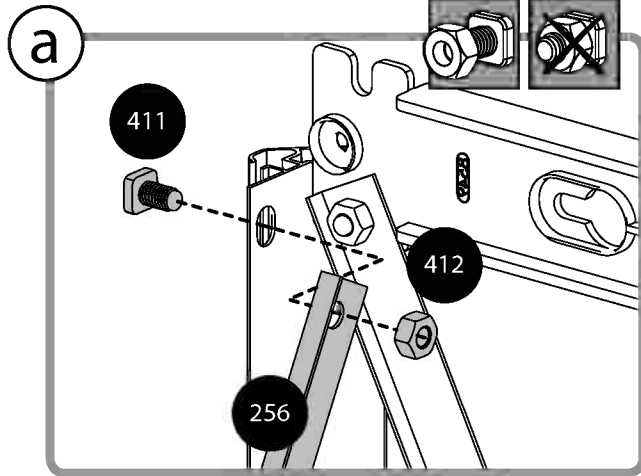
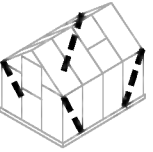






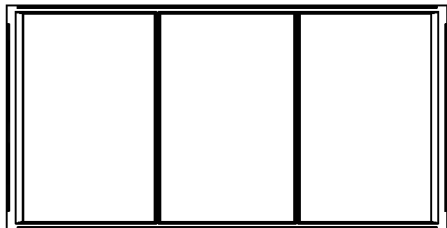
411 4





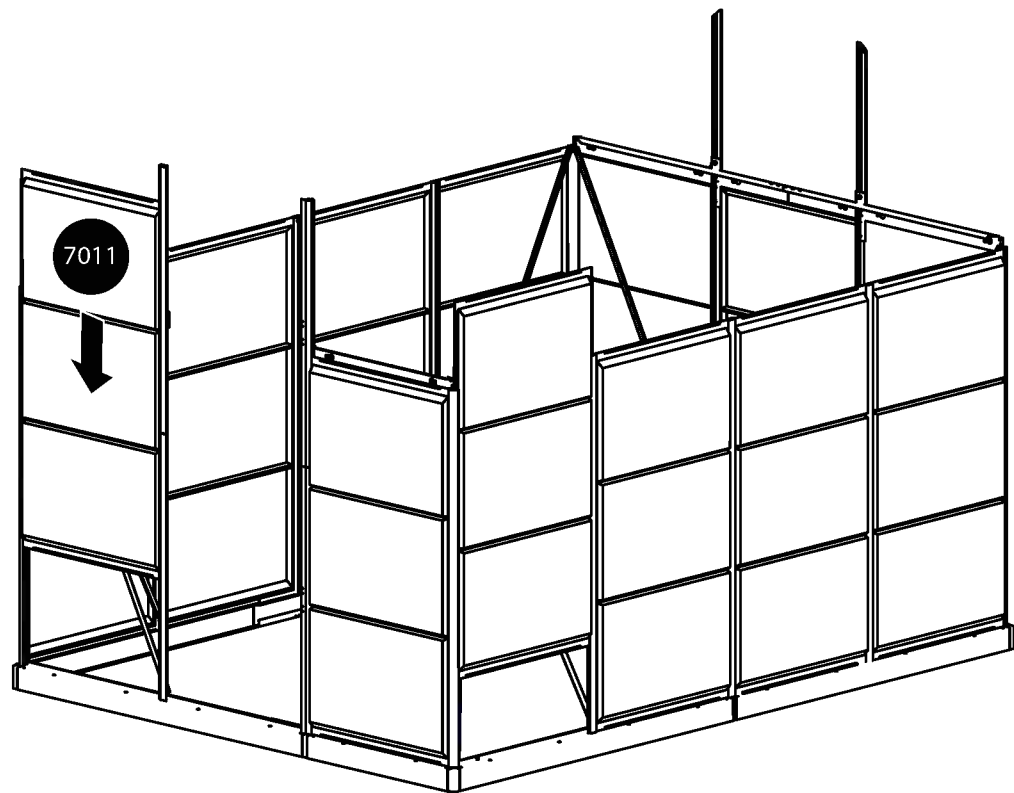
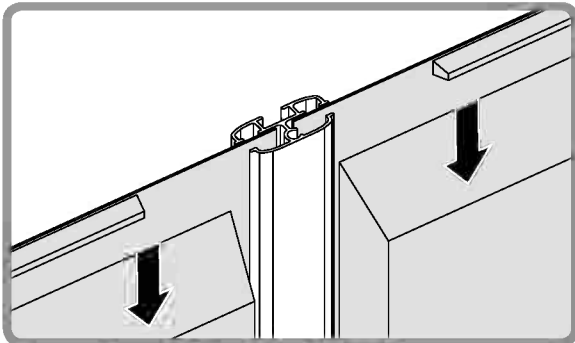
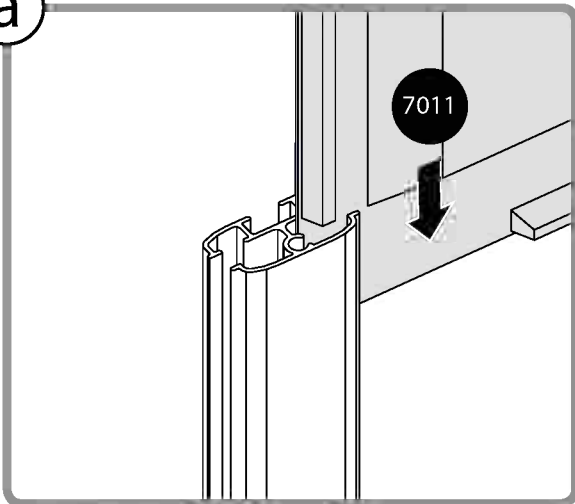


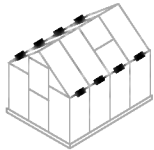
7011.....



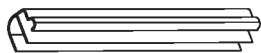
..... 13

a



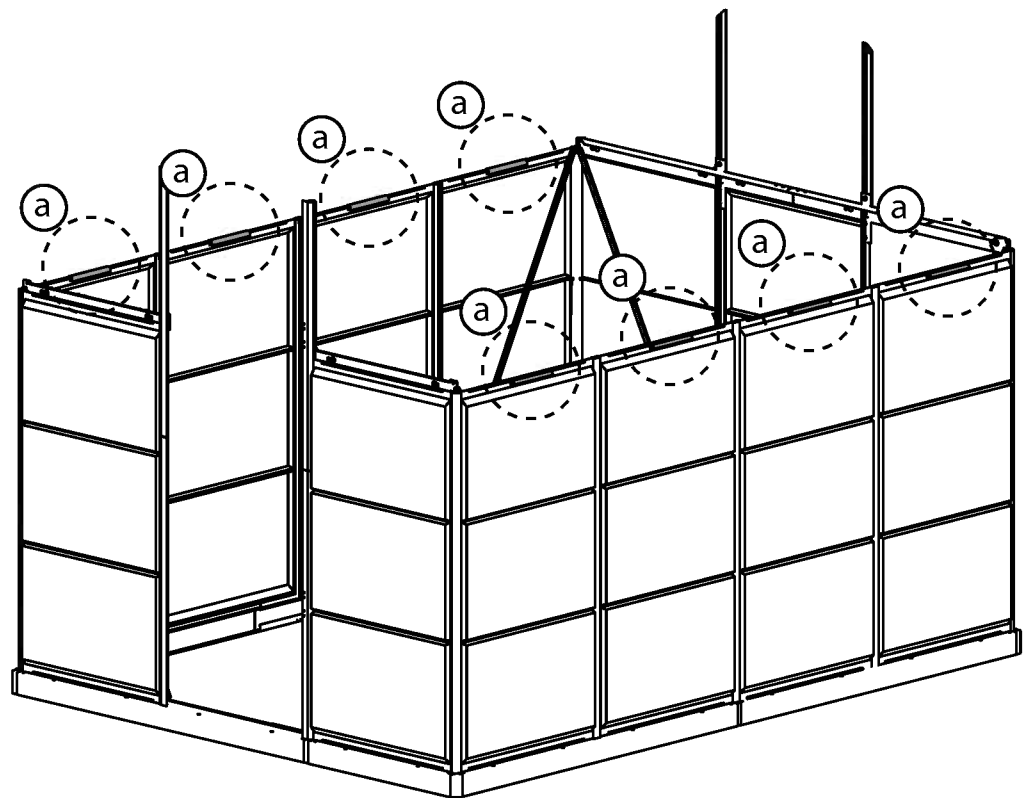
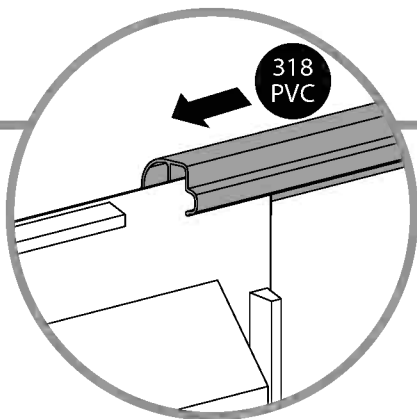
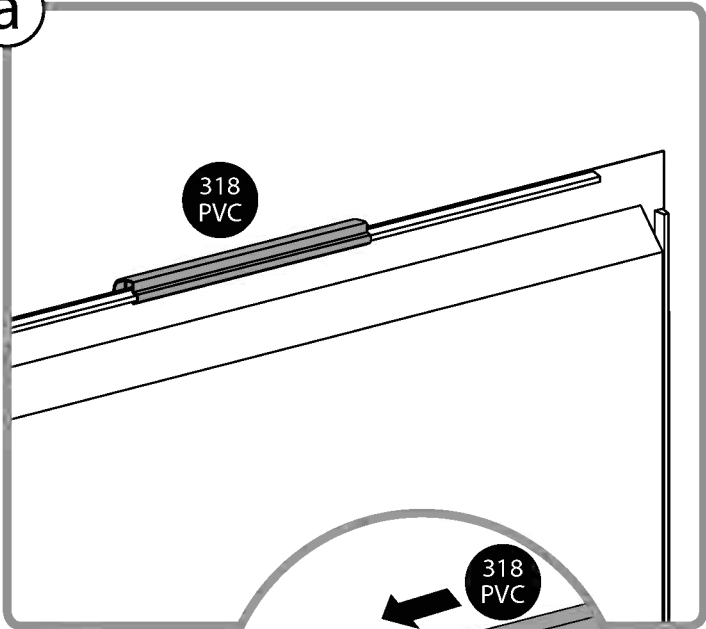


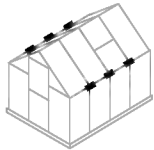
318 PVC





..... 8

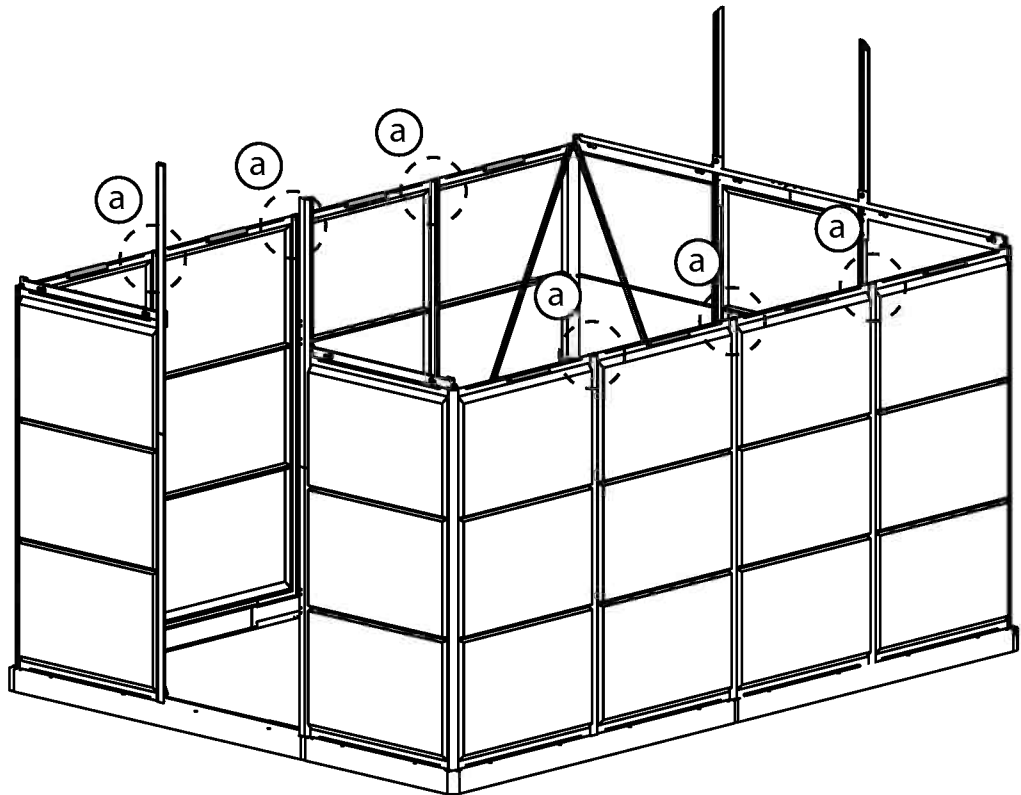
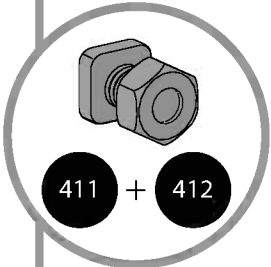
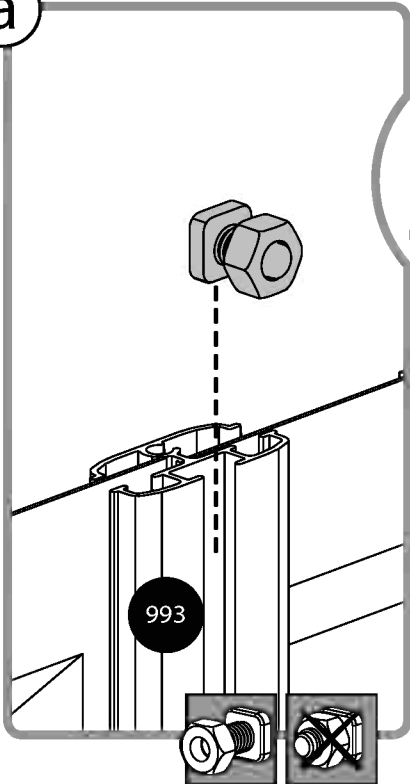
a

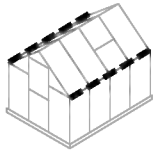




411  6 412  6

a





976 4

08 2

292 2

411 8

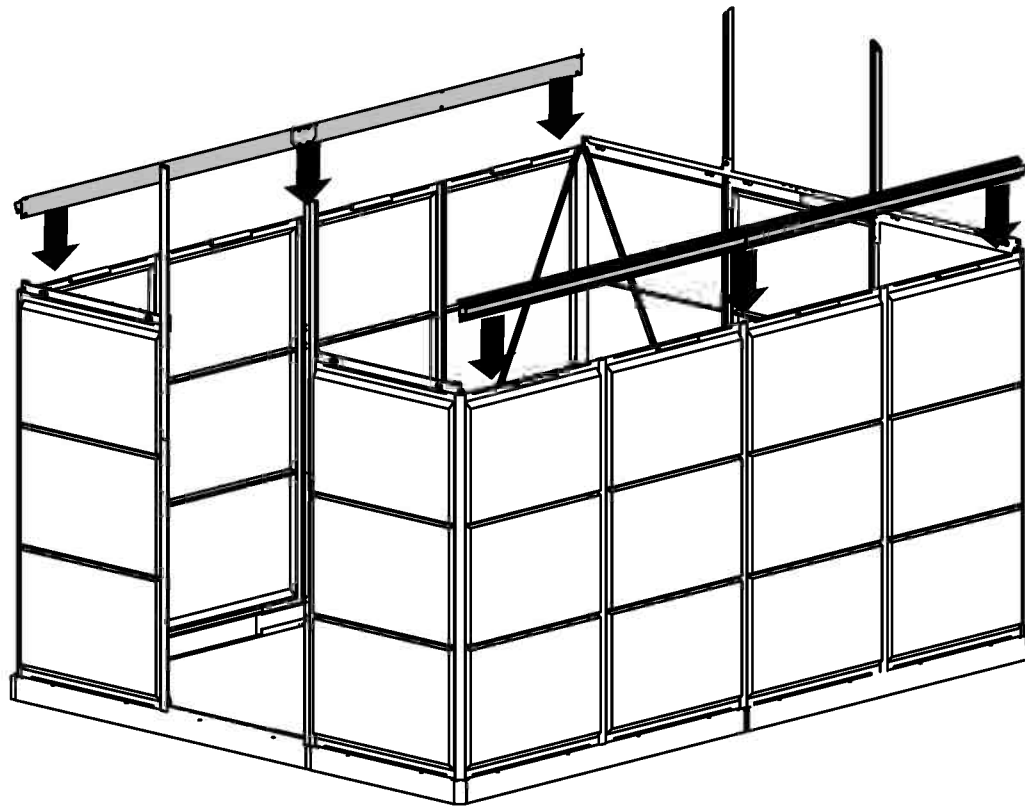
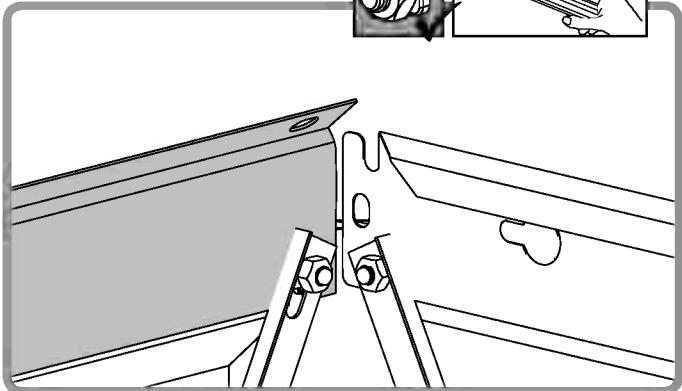
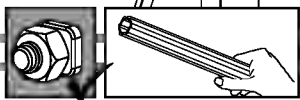
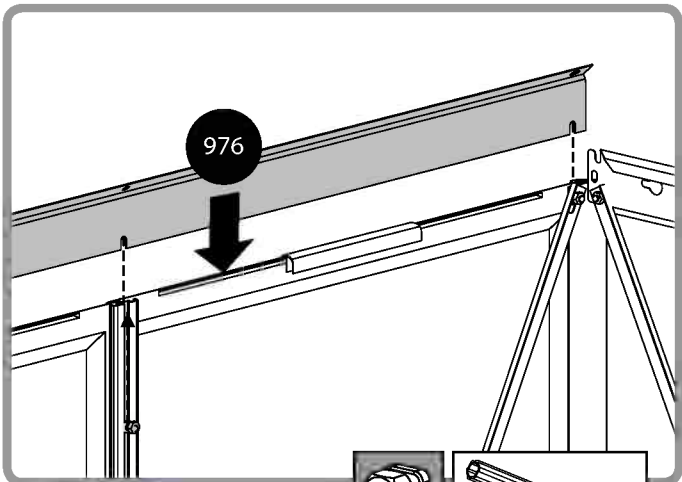
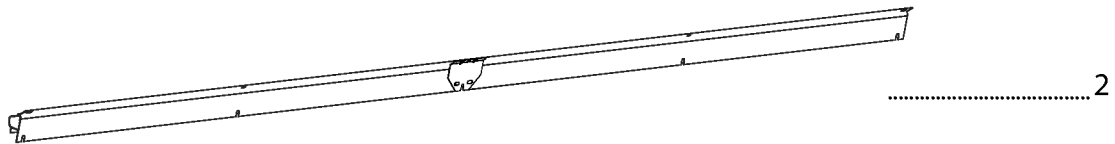
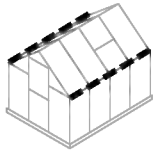
412 8

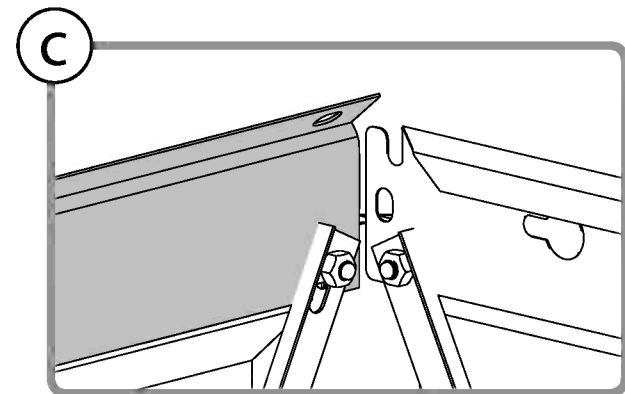
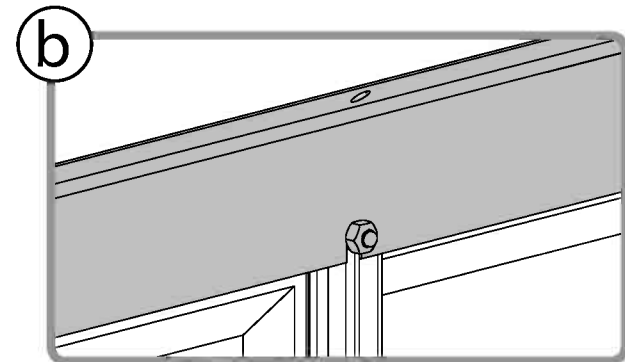
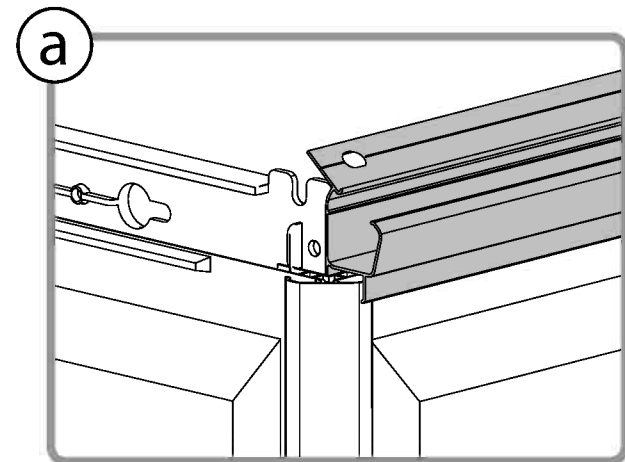
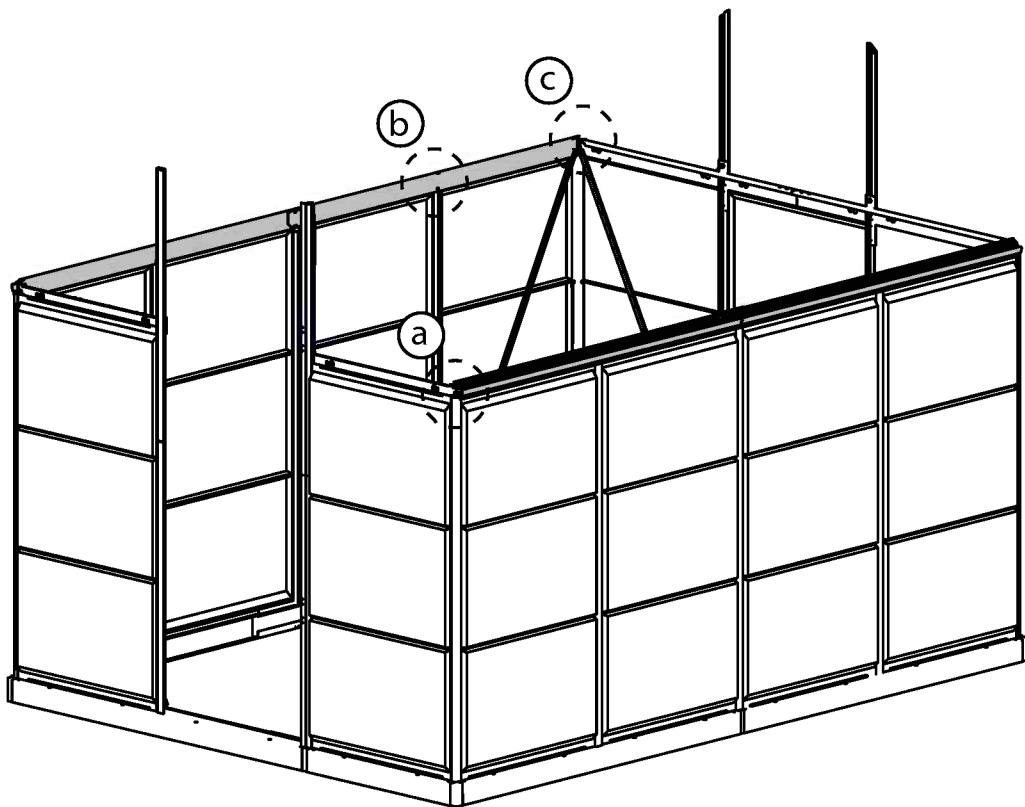
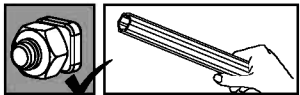
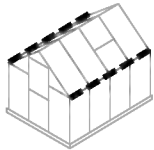
a

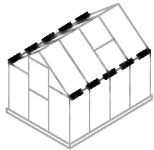
b

a

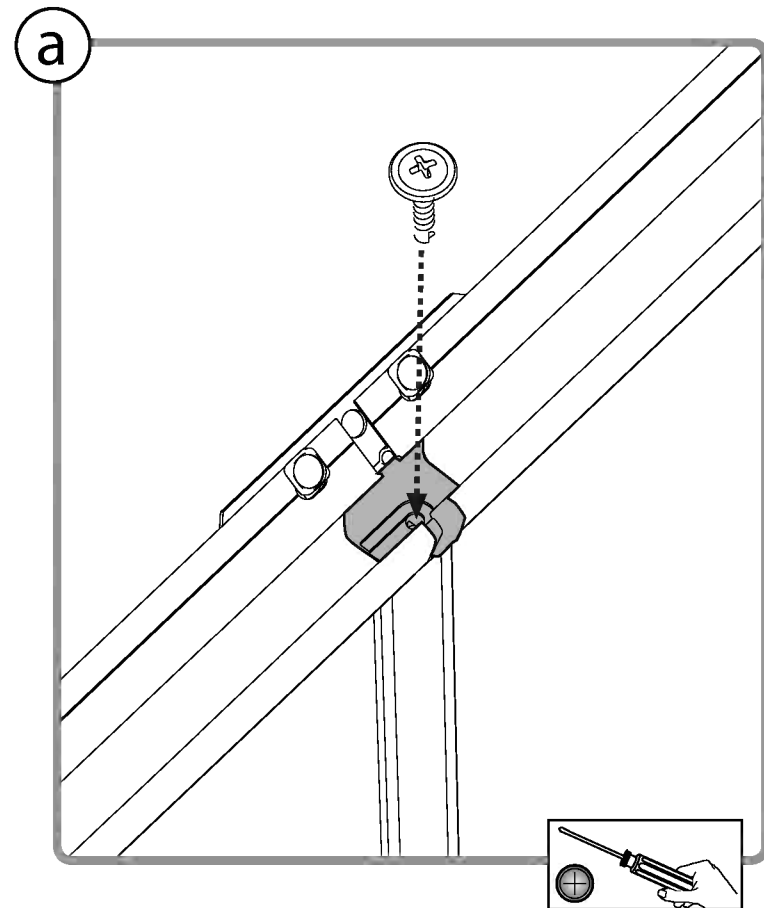
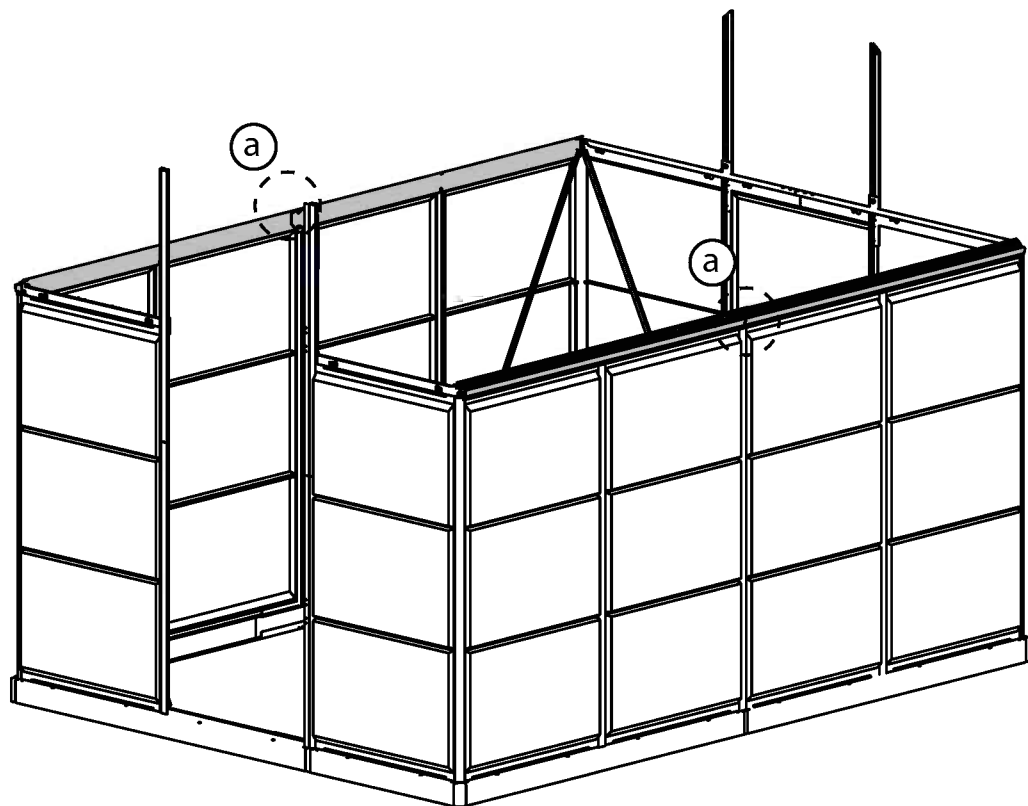
b

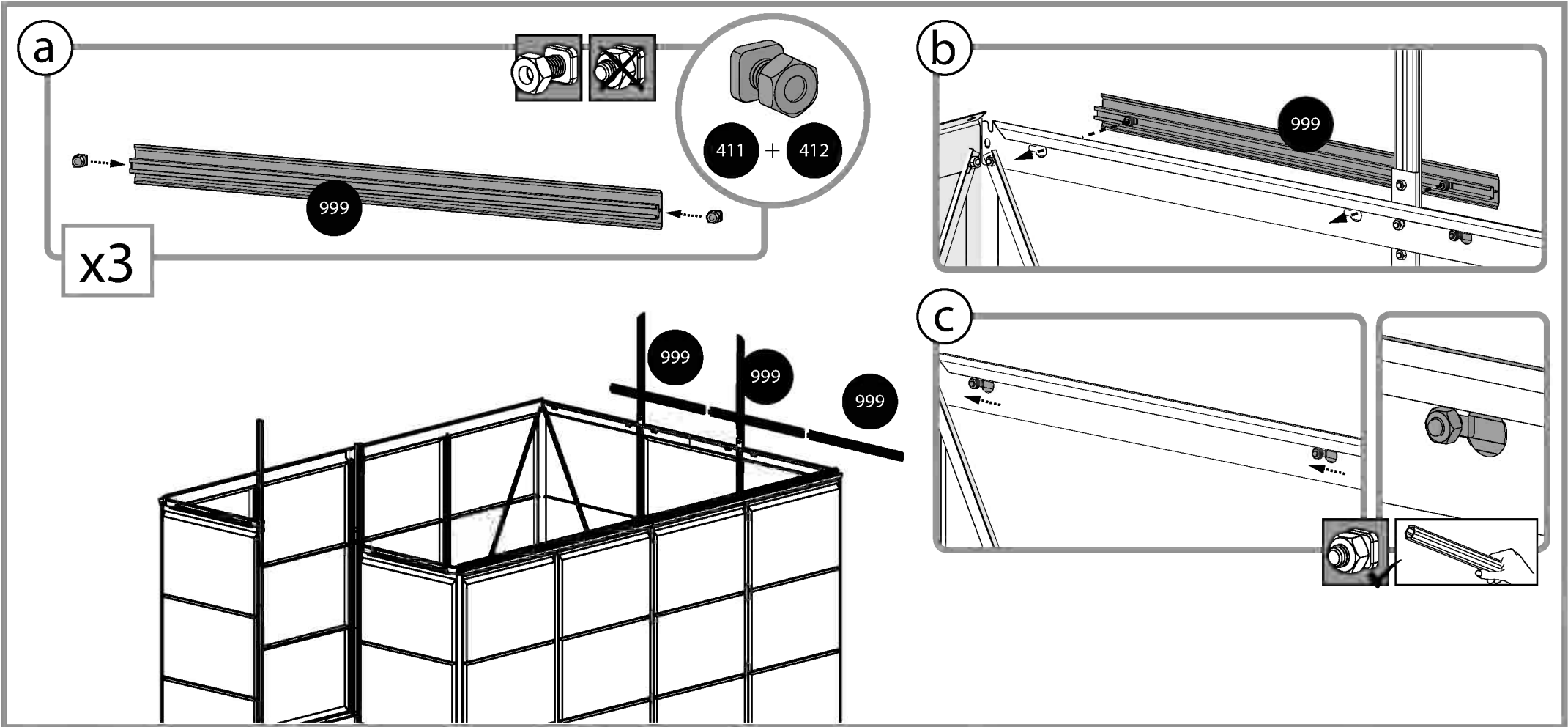
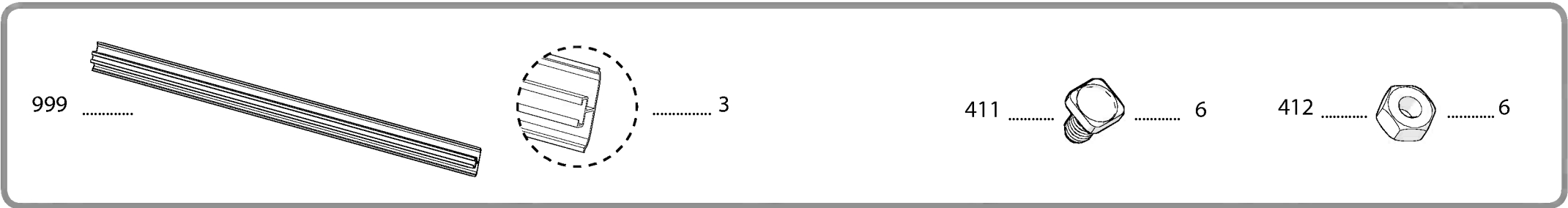


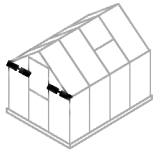


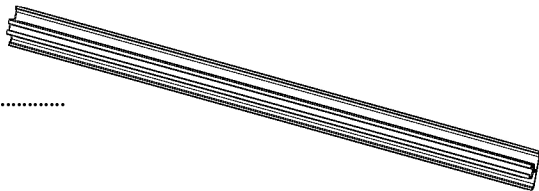



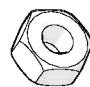
4008  2






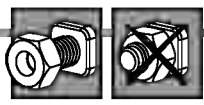


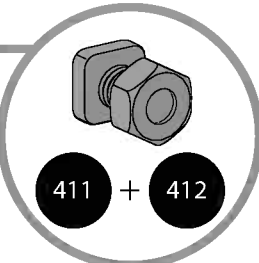
999  2

411  6 412  6

a

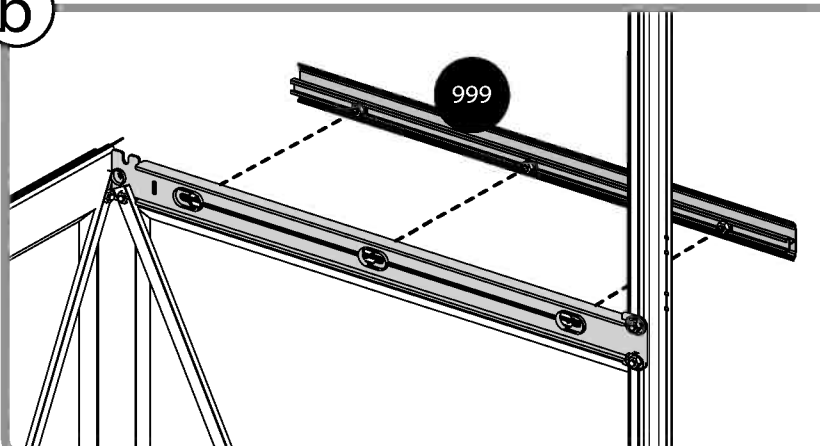
 **999**

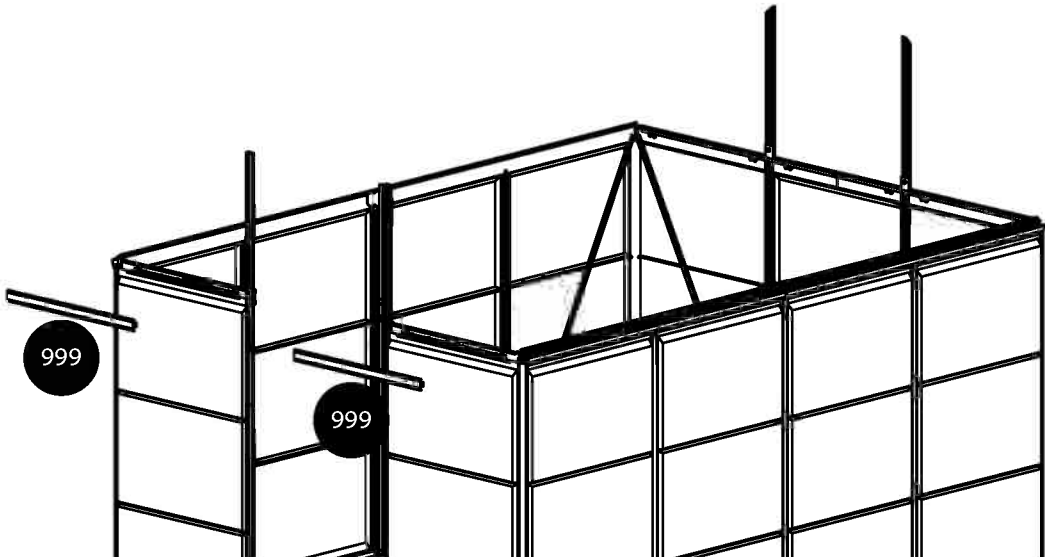


 **411 + 412**

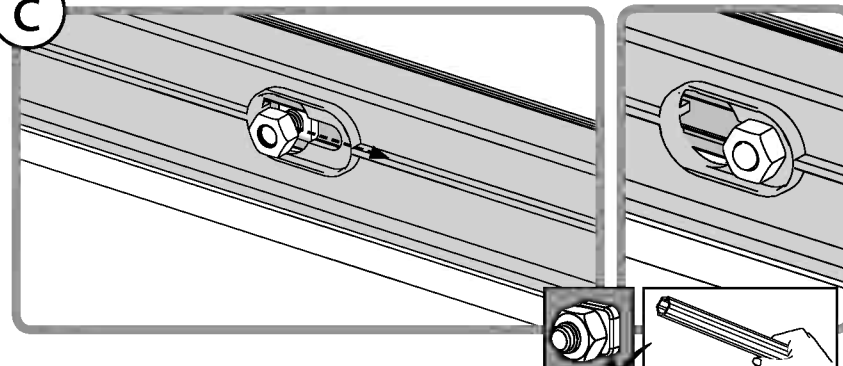
x2

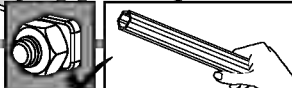
b

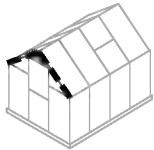
 **999**

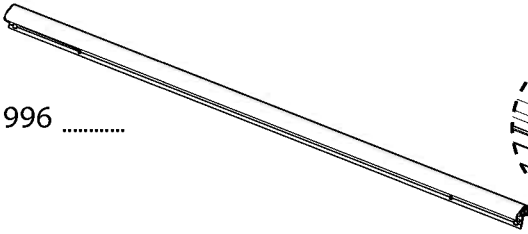
 **999**


c







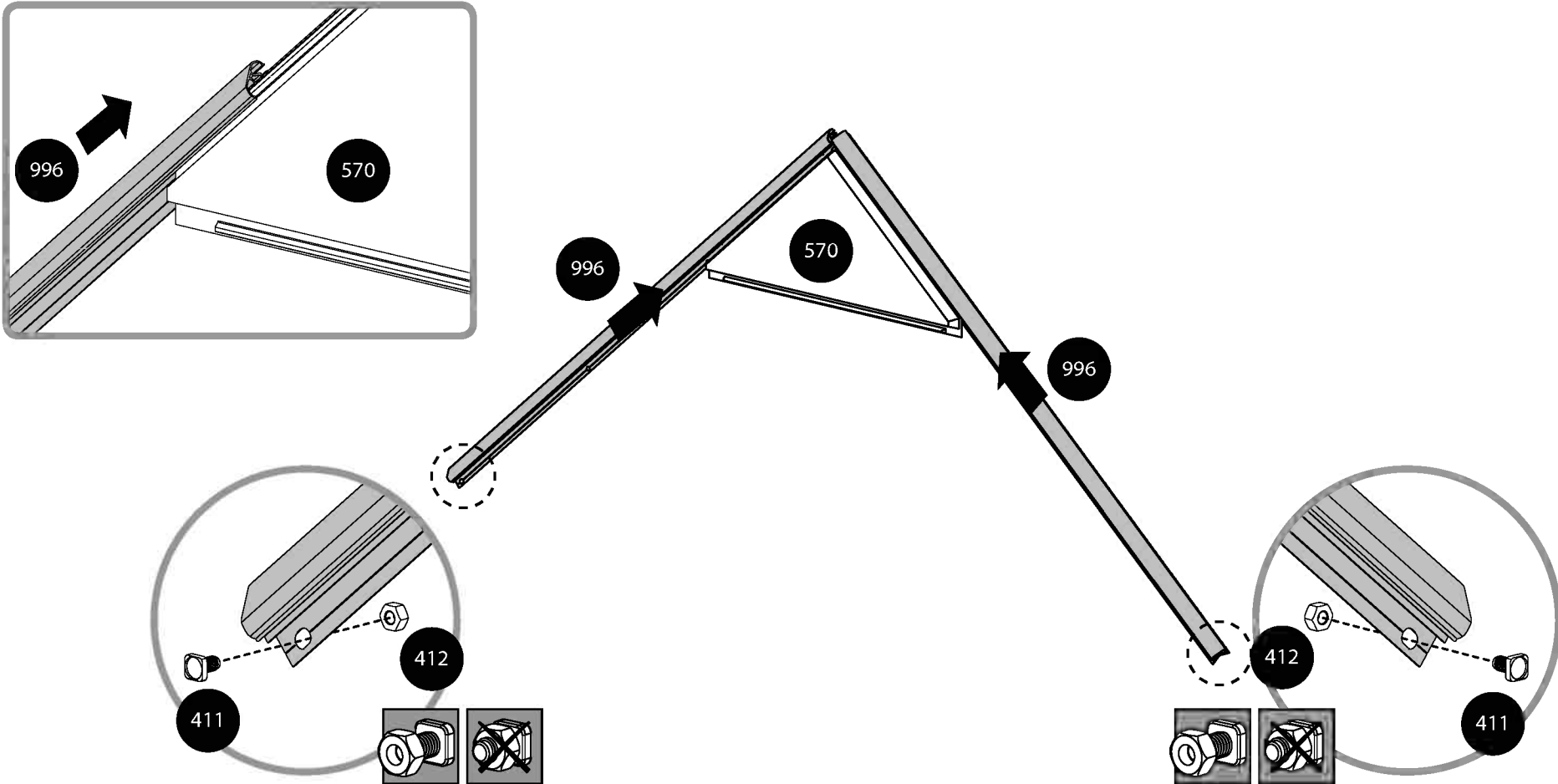


996  2

570  1

411  2

412  2



996

570

996

570

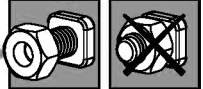
996

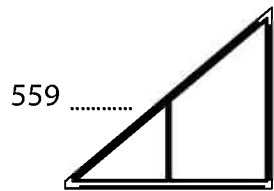
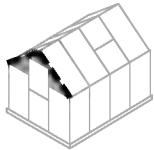
411

412

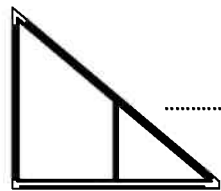
411

412

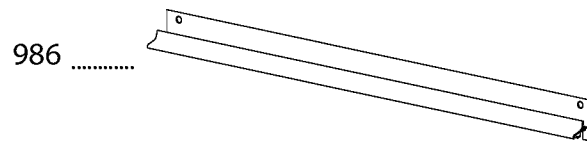




559 1



560 1



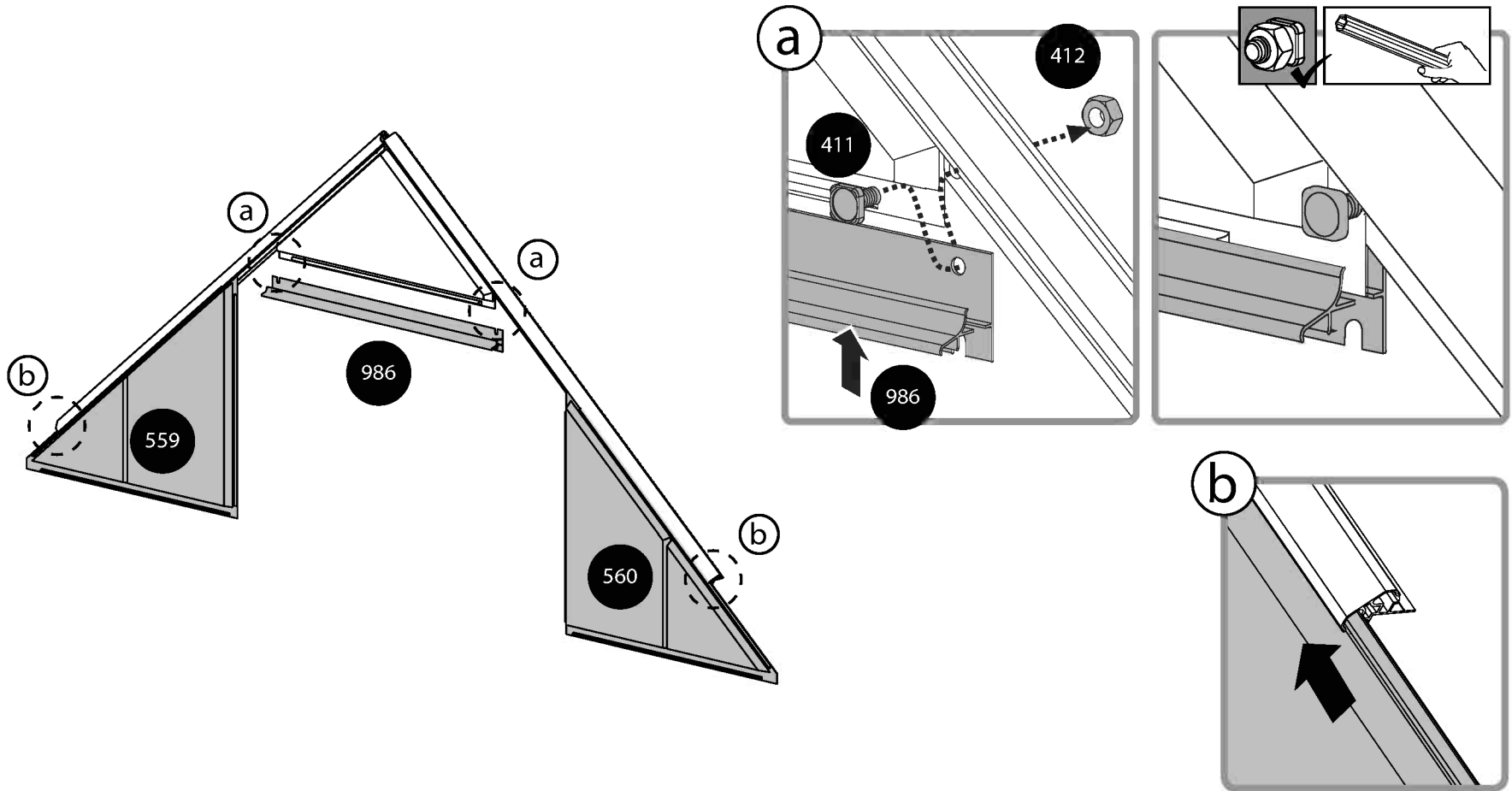
986 1

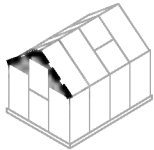



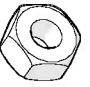
411 2

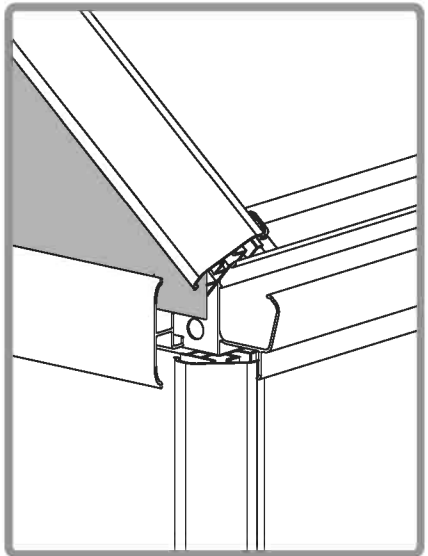
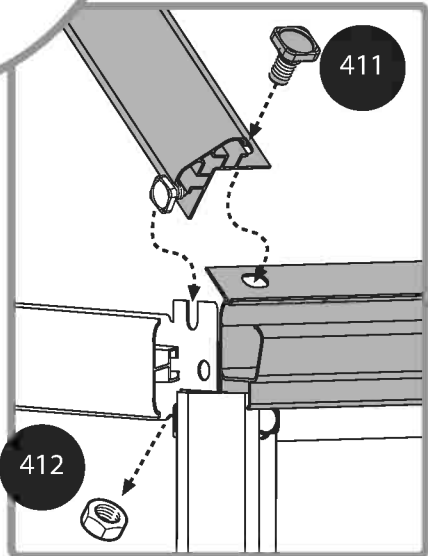
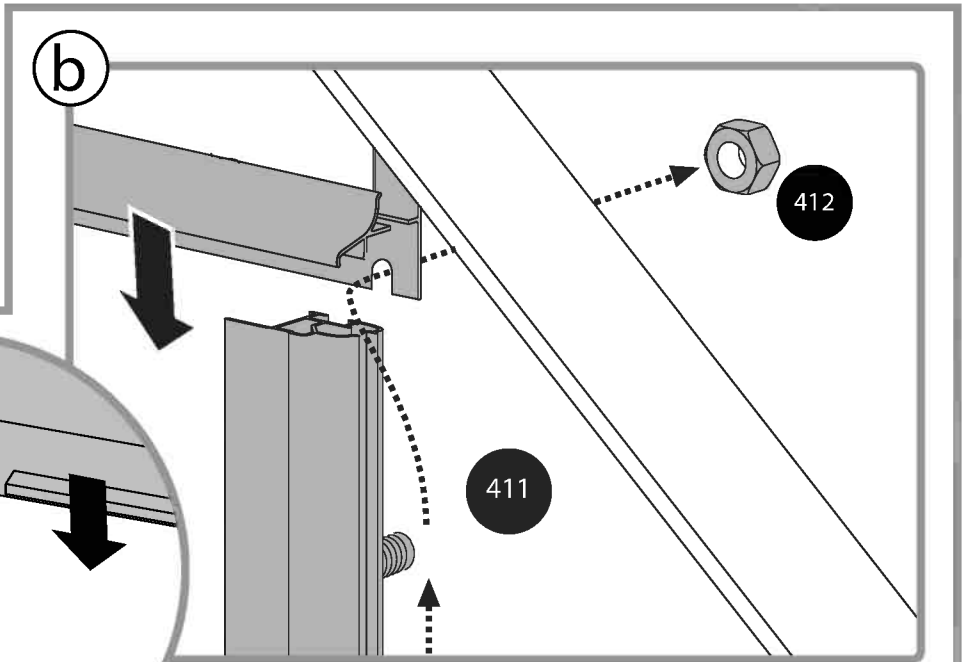
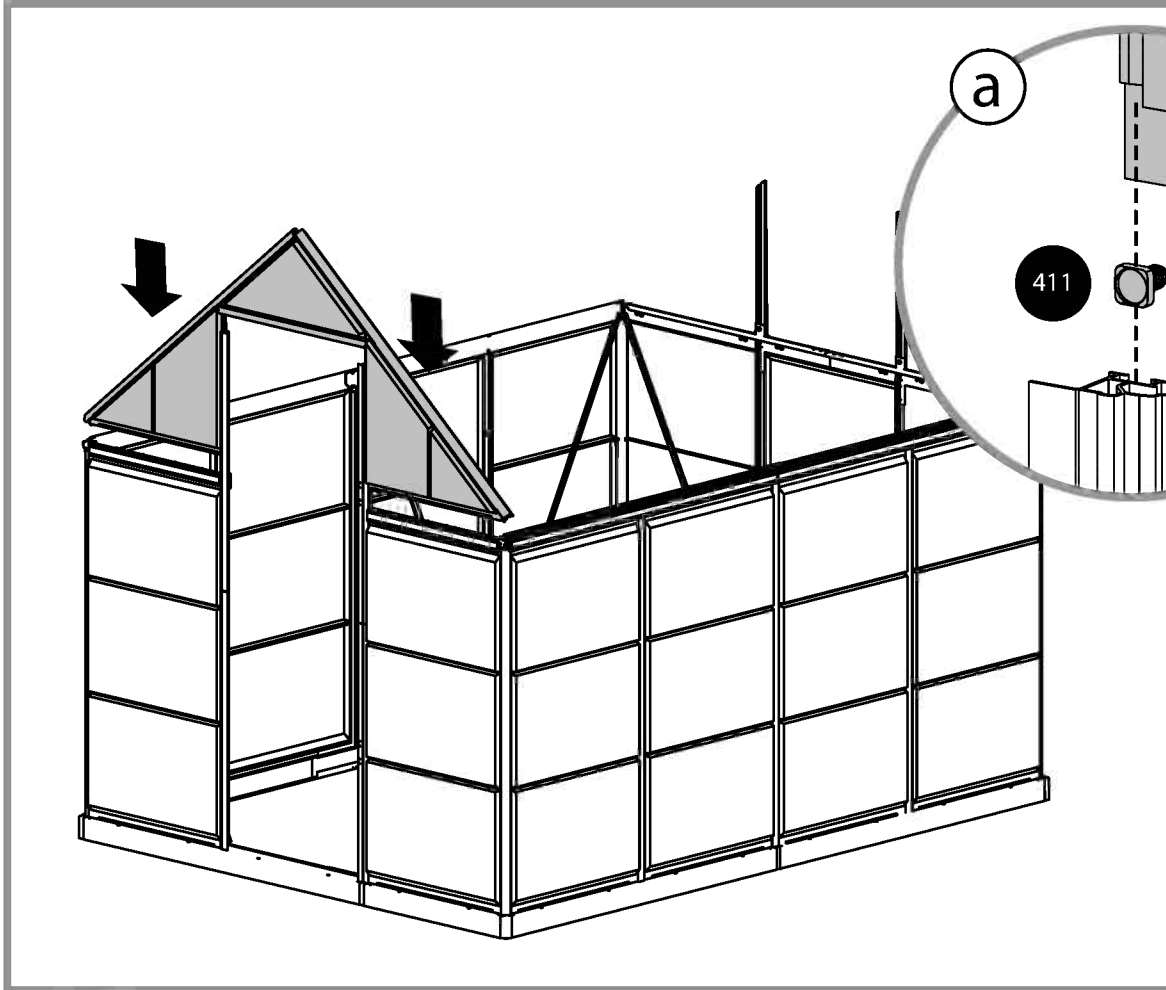


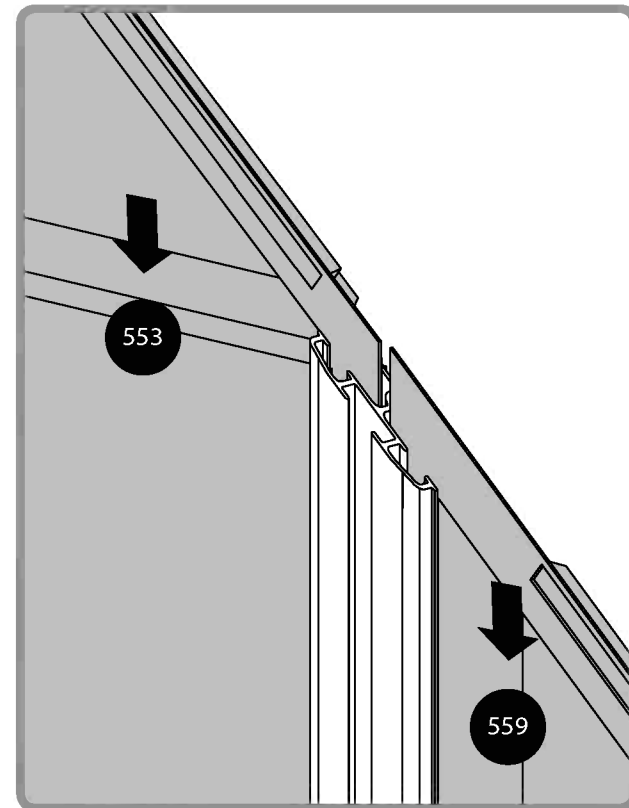
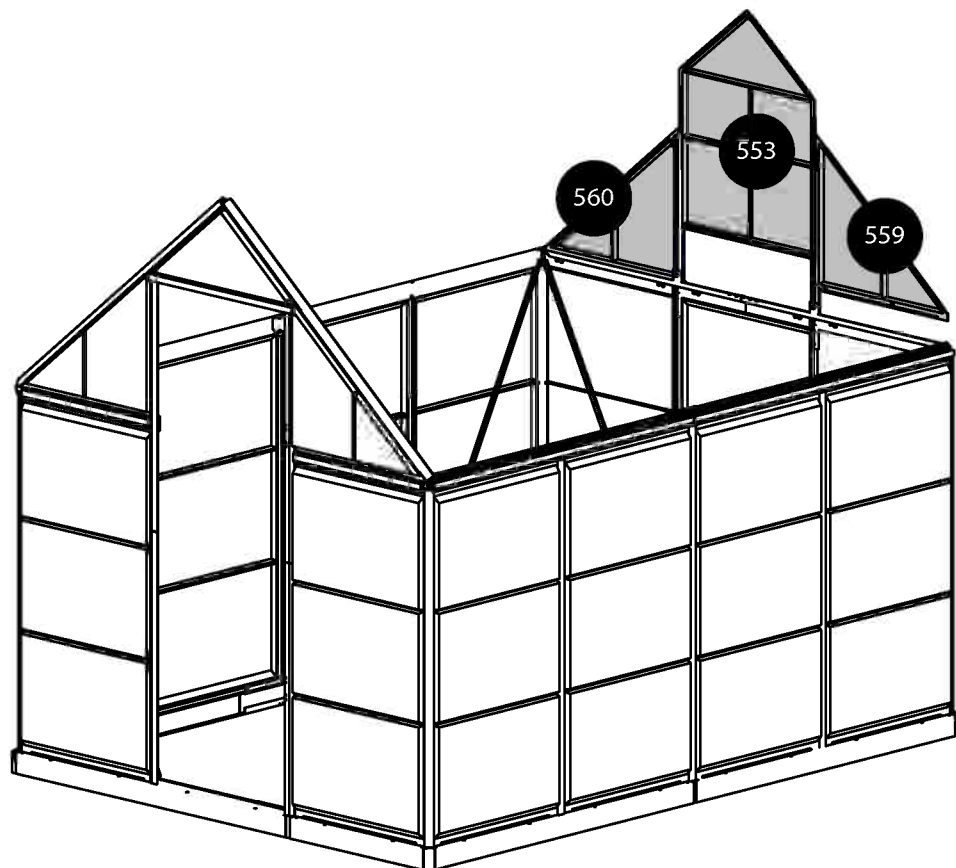
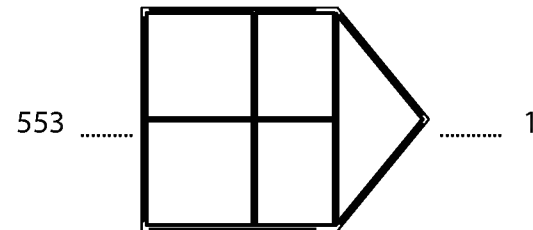
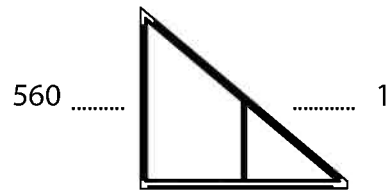
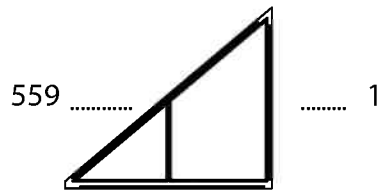
412 2





411  4 412  4







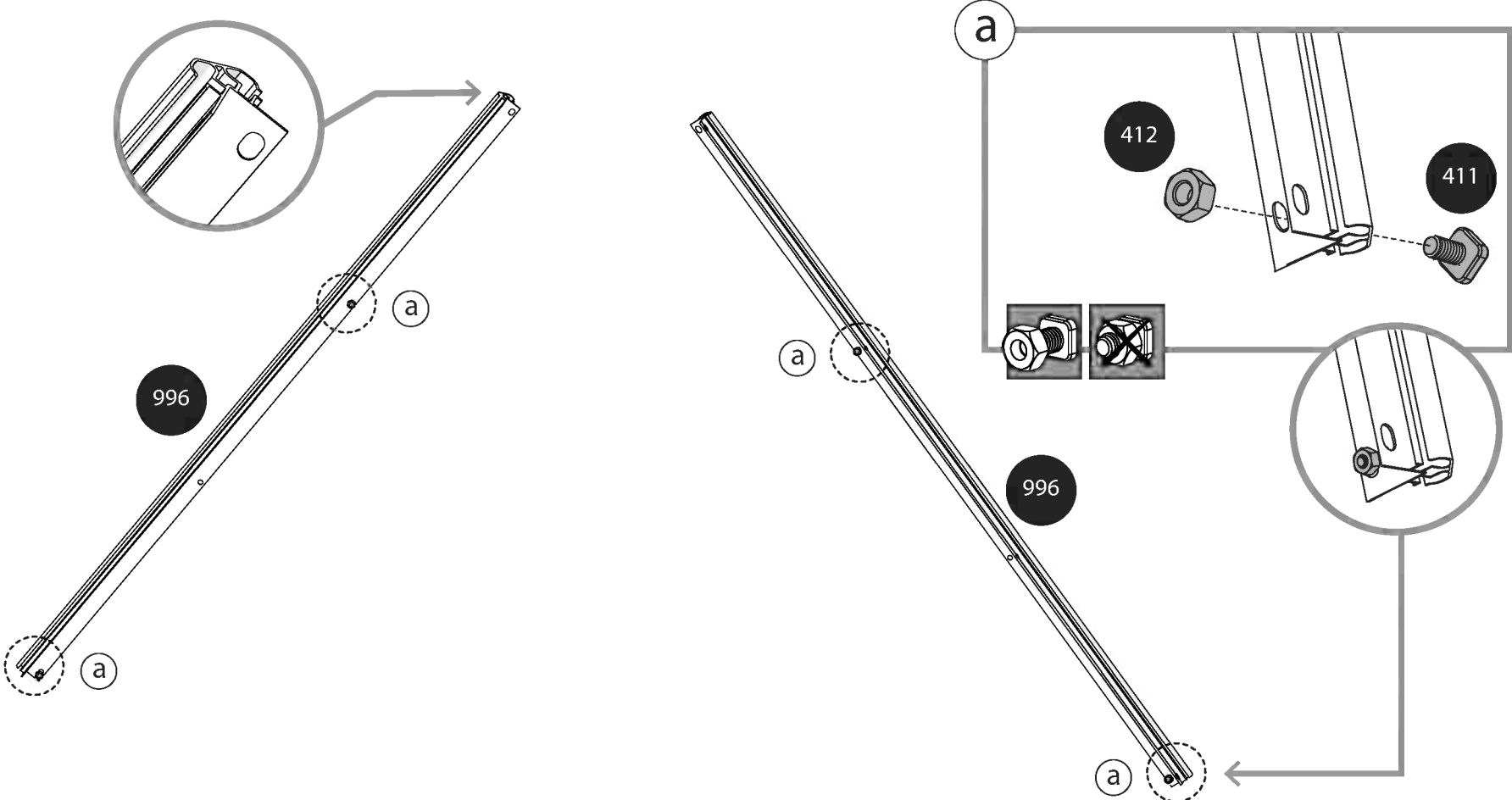
996



.....2

411  4

412  4



996

a

a

a

a

996

a

412

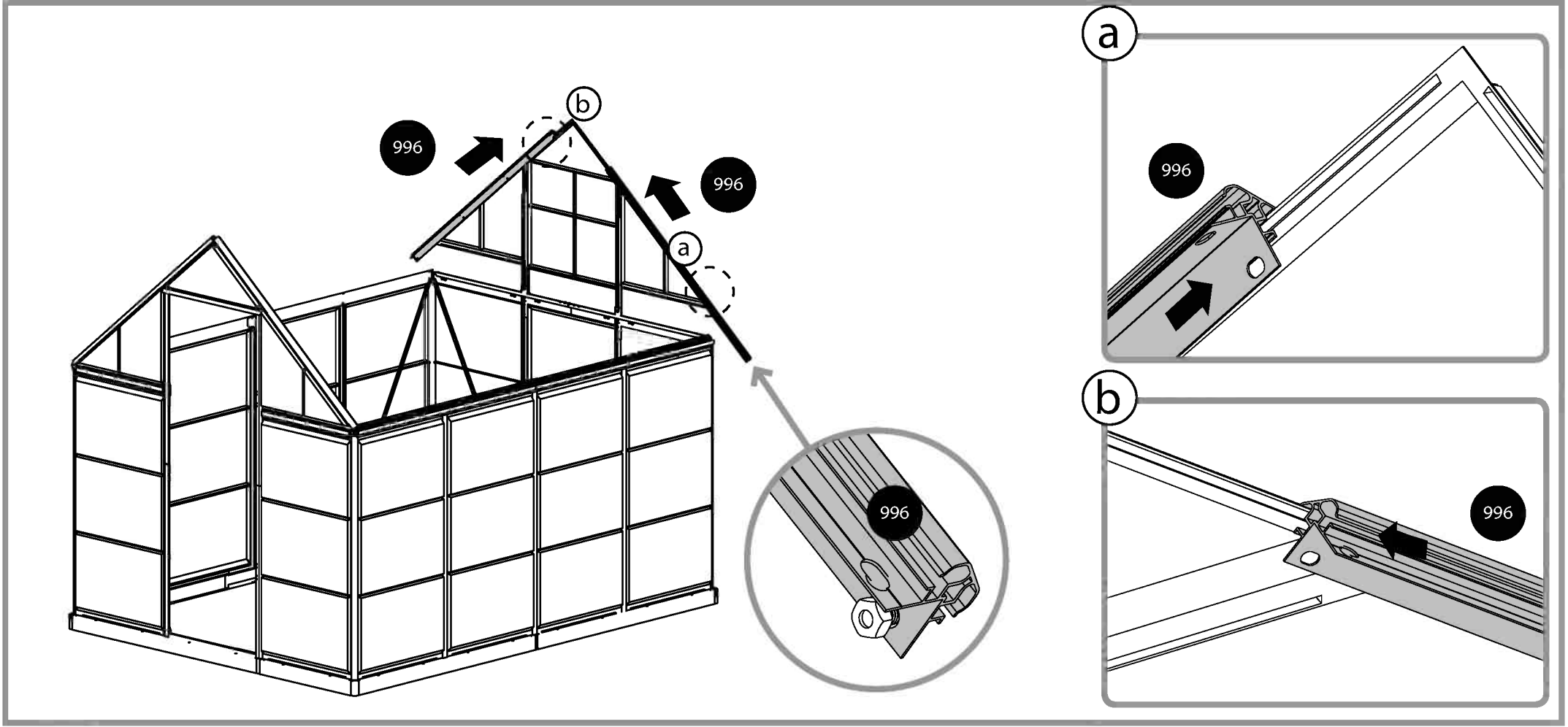
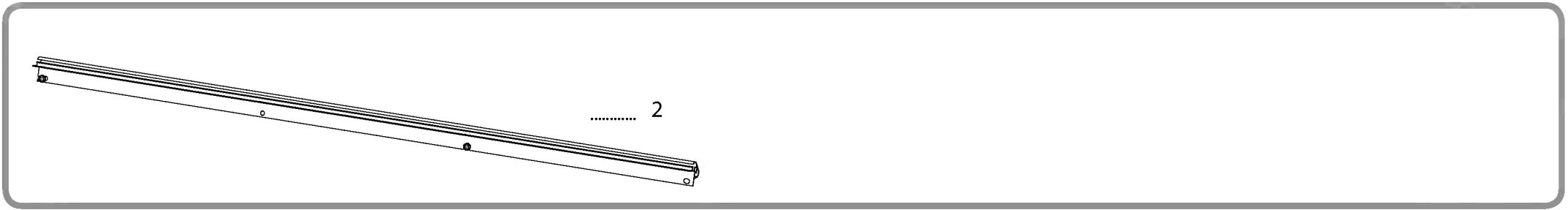
411

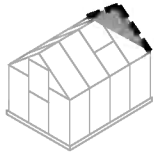
411

412

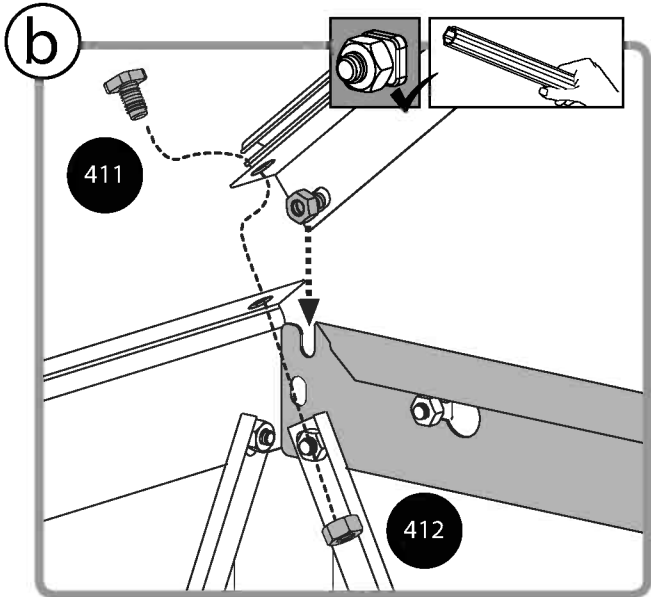
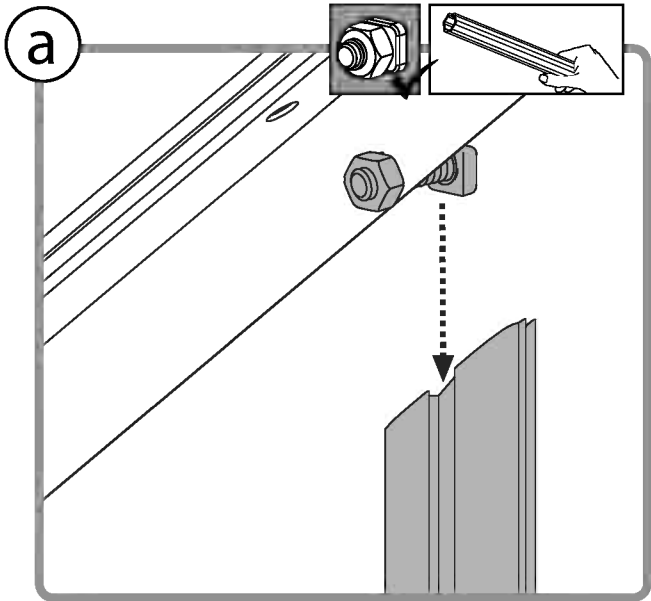
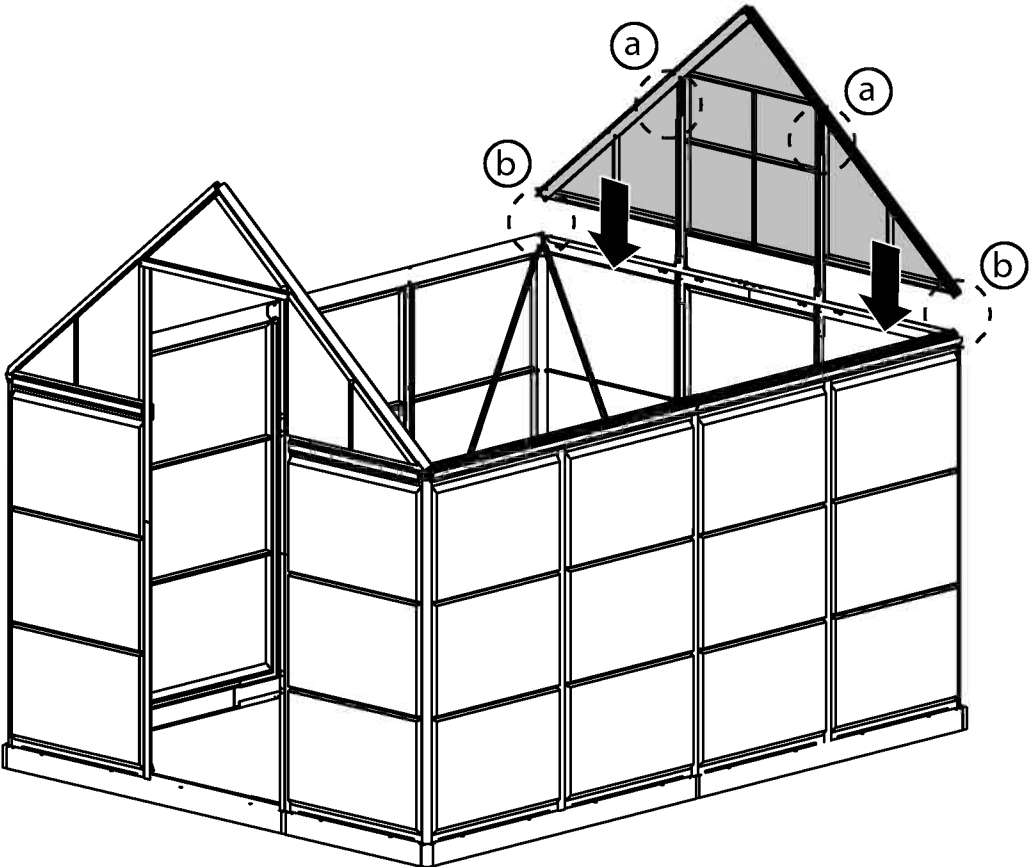
996

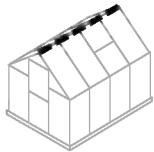
a





411  2 412  2





07 1

977.....

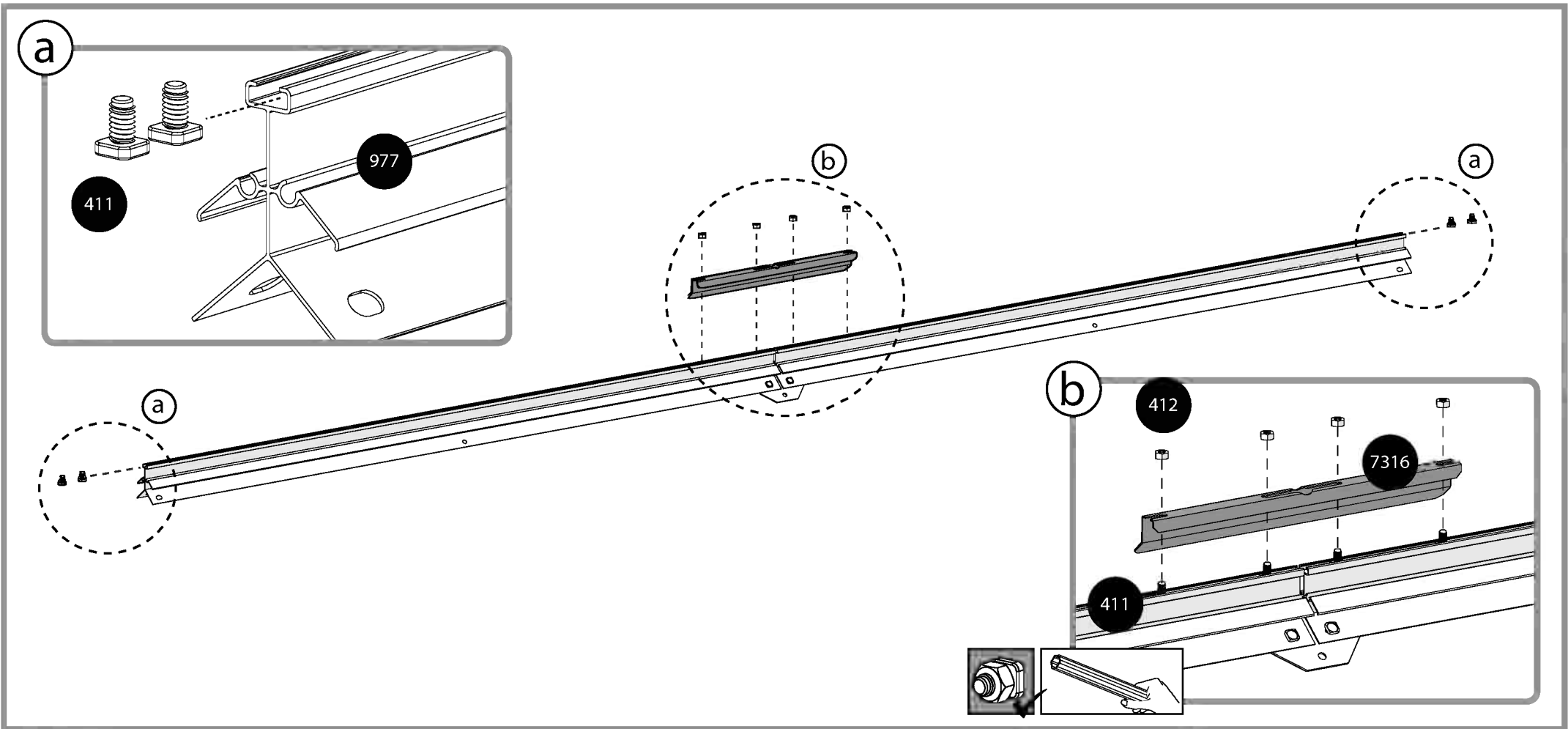
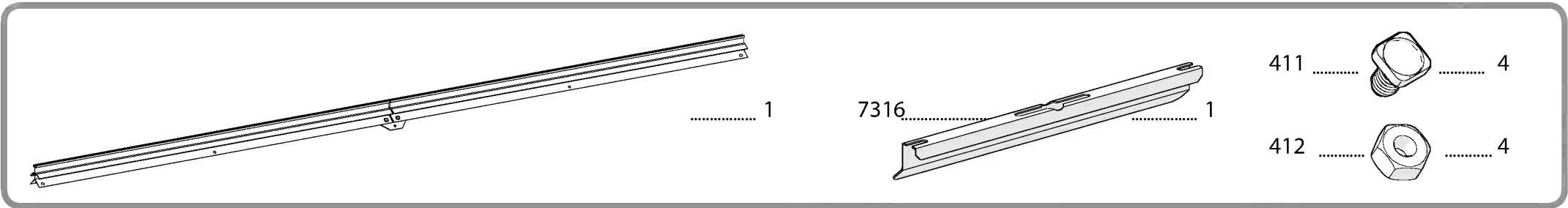
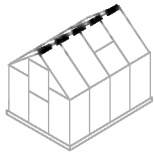
..... 2

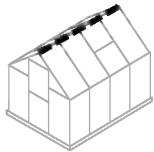
411 4

412 4

a

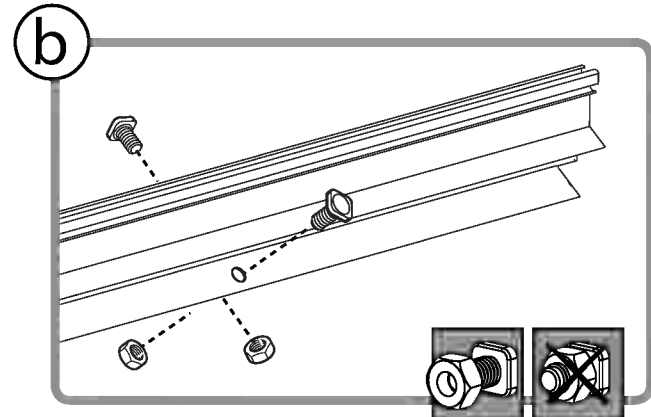
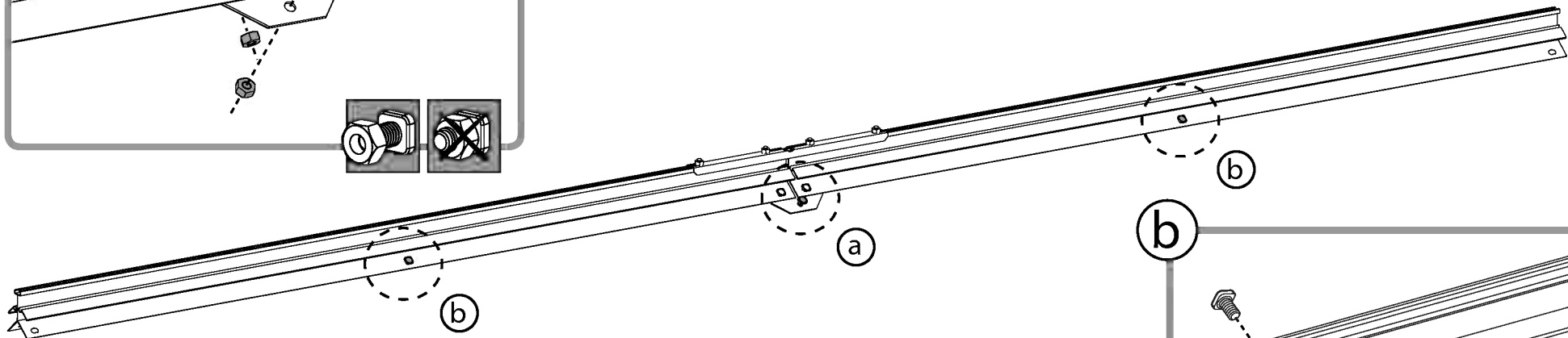
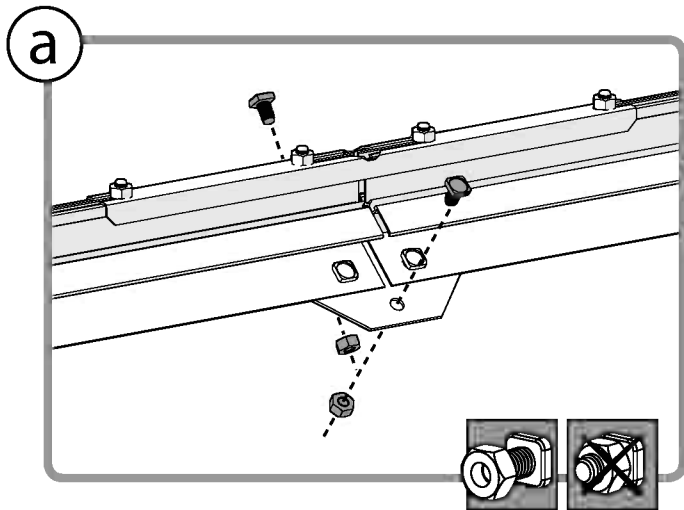
b

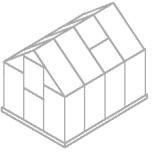




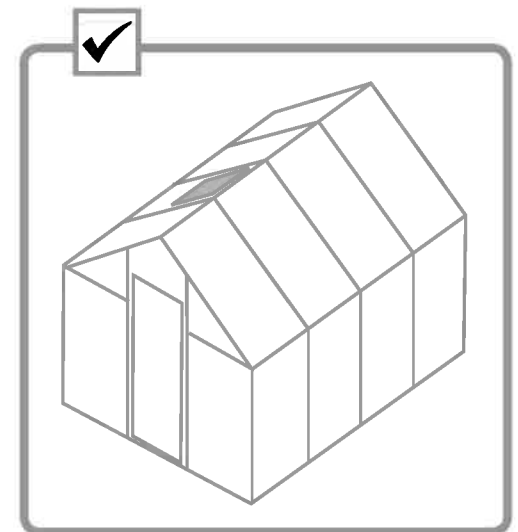
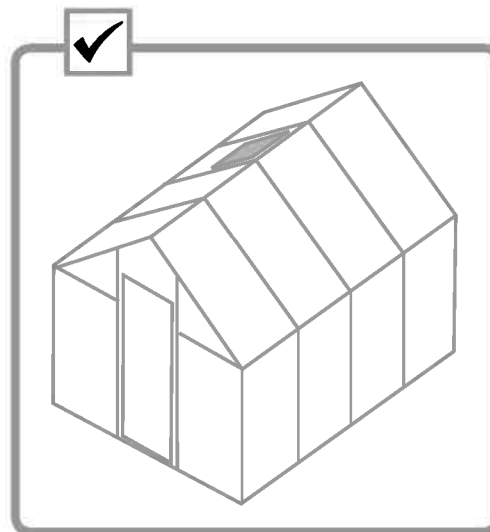
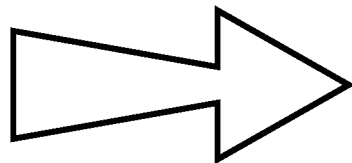
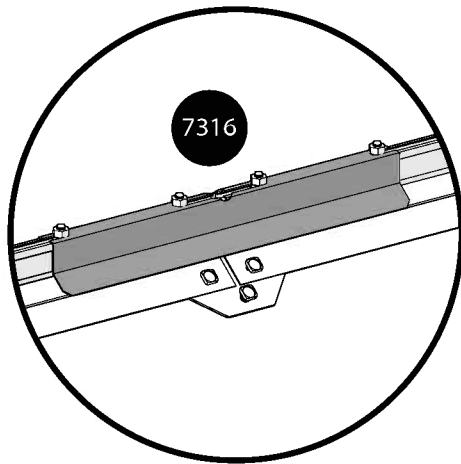
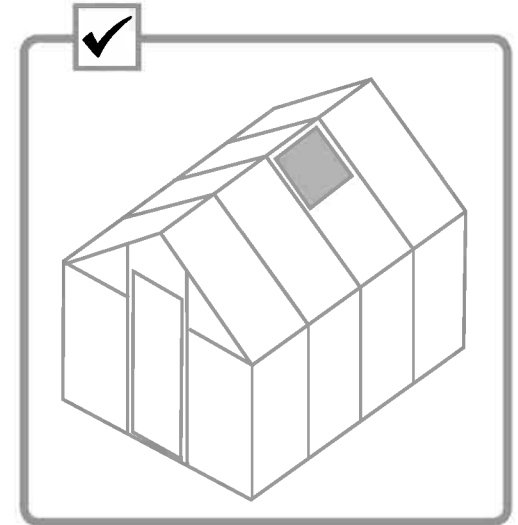
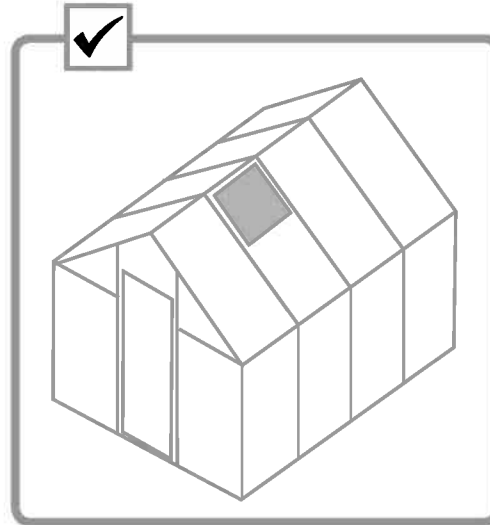
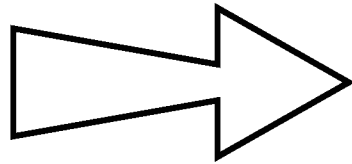
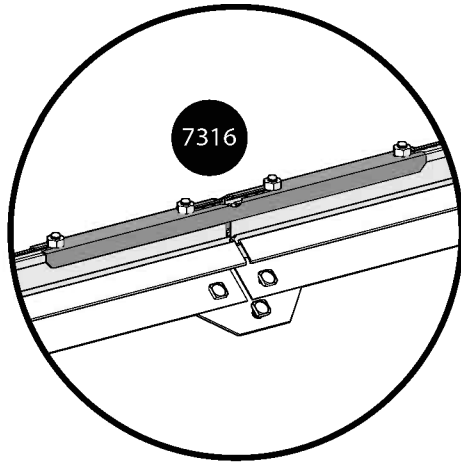
411  6

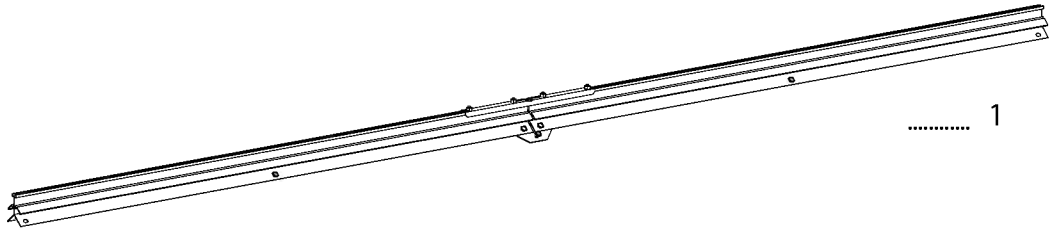
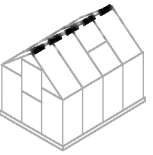
412  6



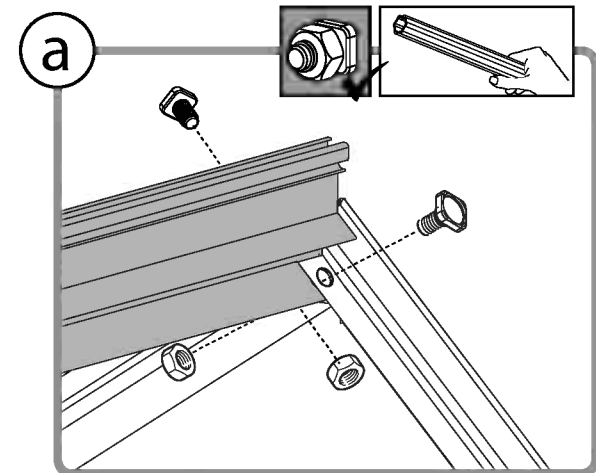
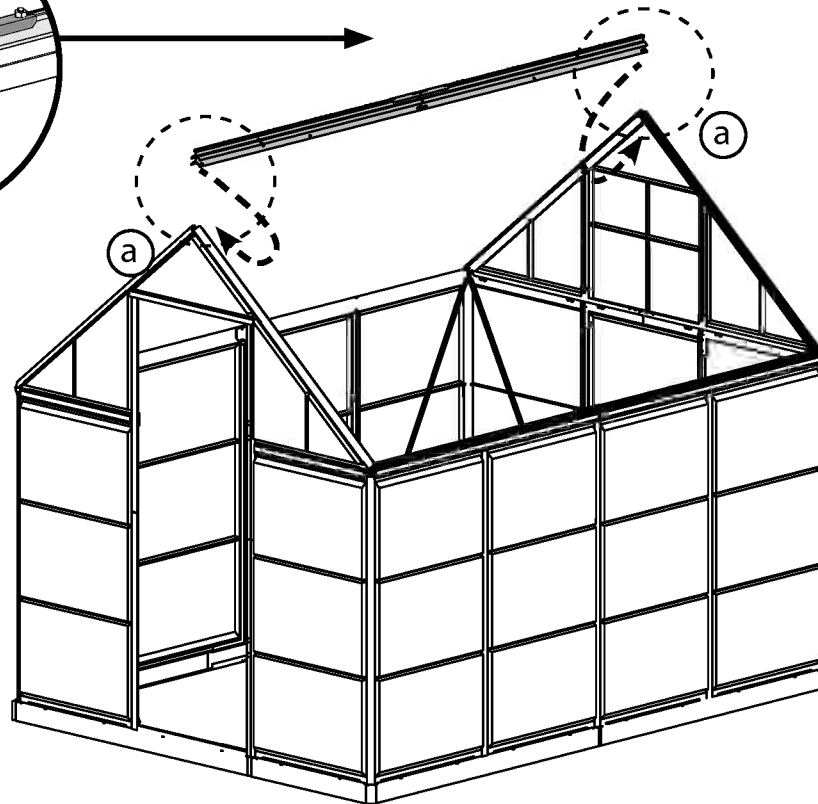
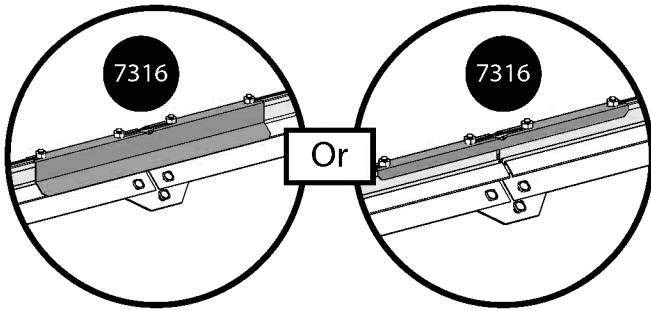


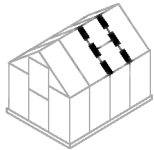
- EN** Windows Location
- GR** Fenster Standort
- FR** Fenêtre Emplacement
- SP** Ventana Ubicación



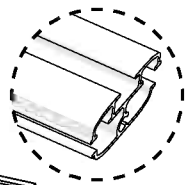
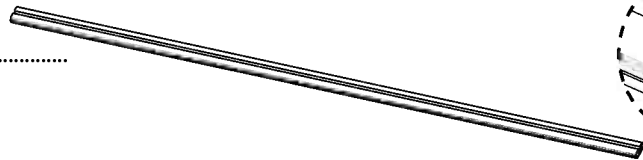


..... 1



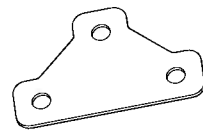


993



..... 2

288



..... 2

411



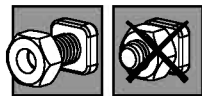
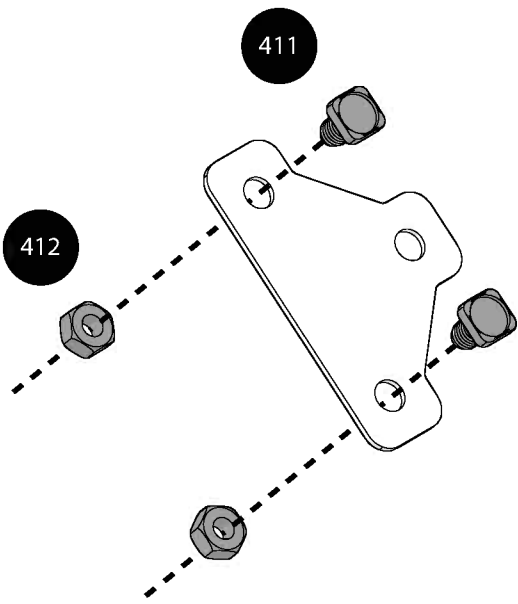
..... 4

412

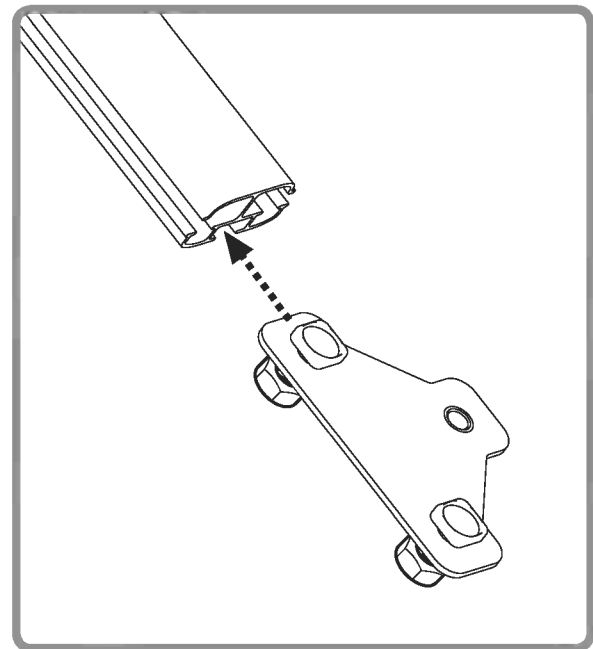
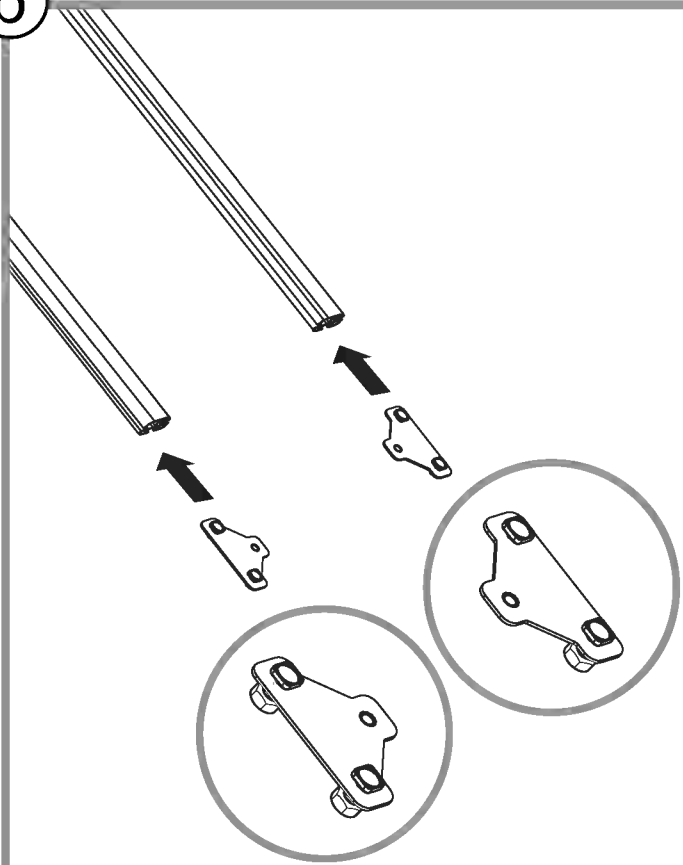


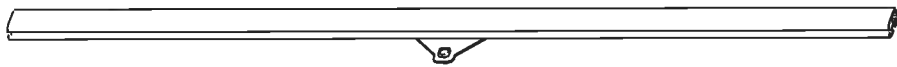
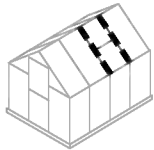
..... 4

a



b





..... 2

411

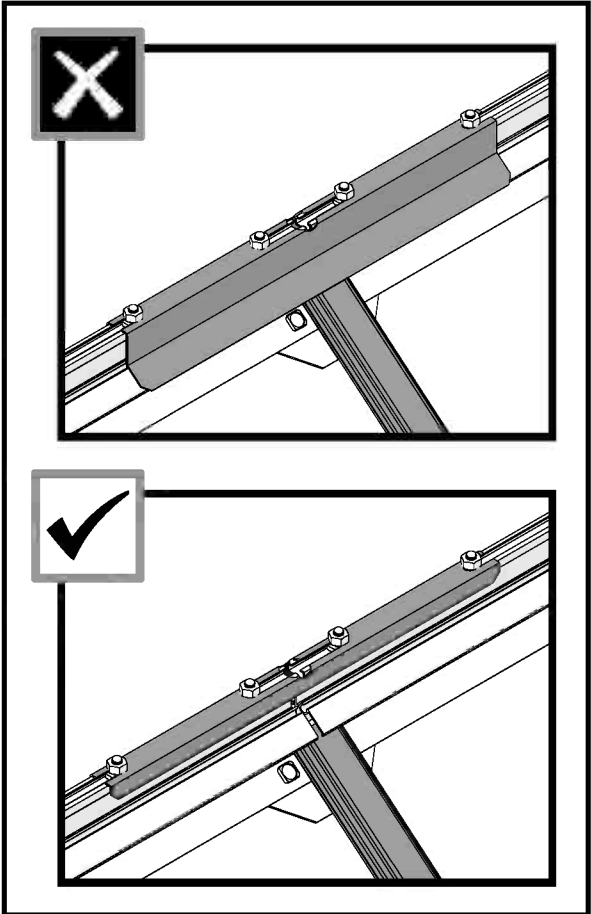
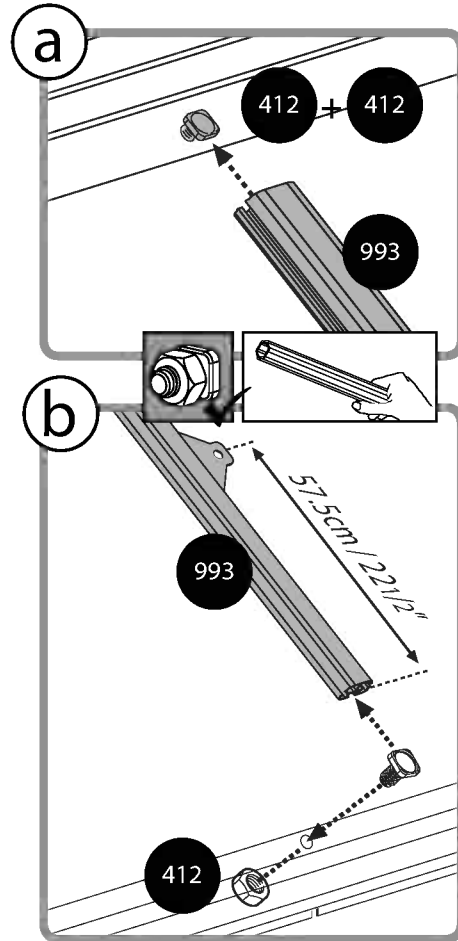
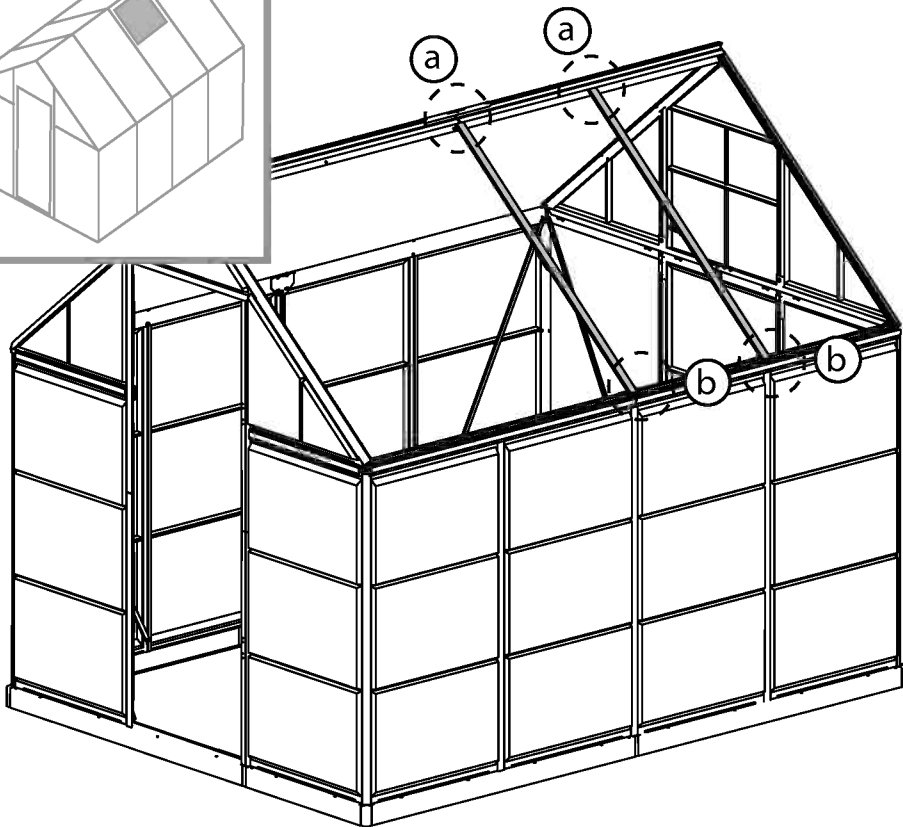
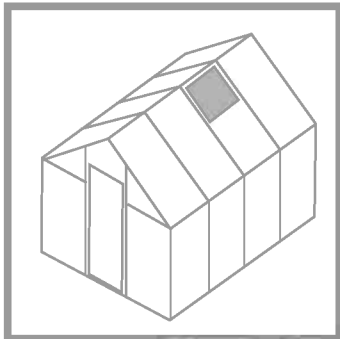


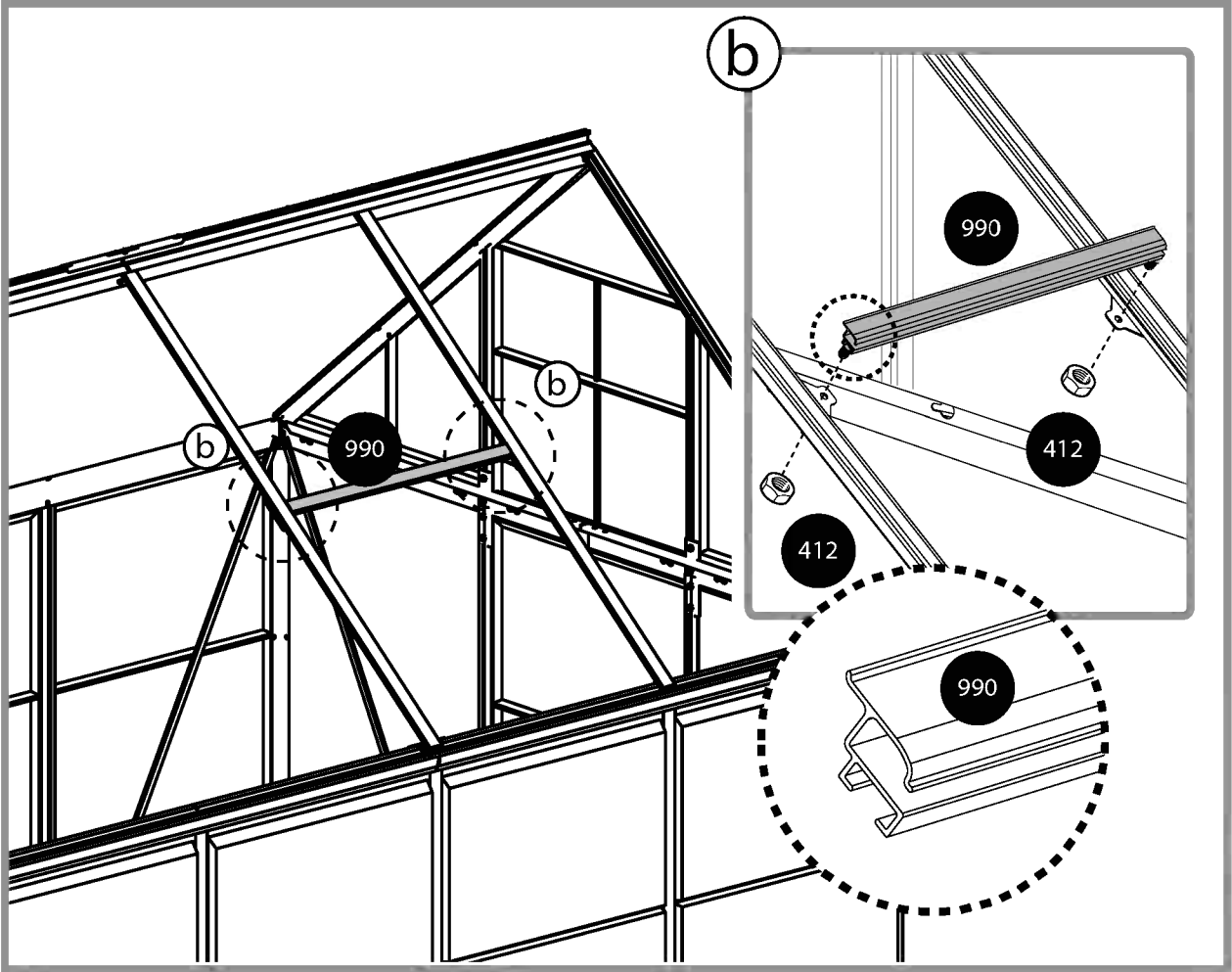
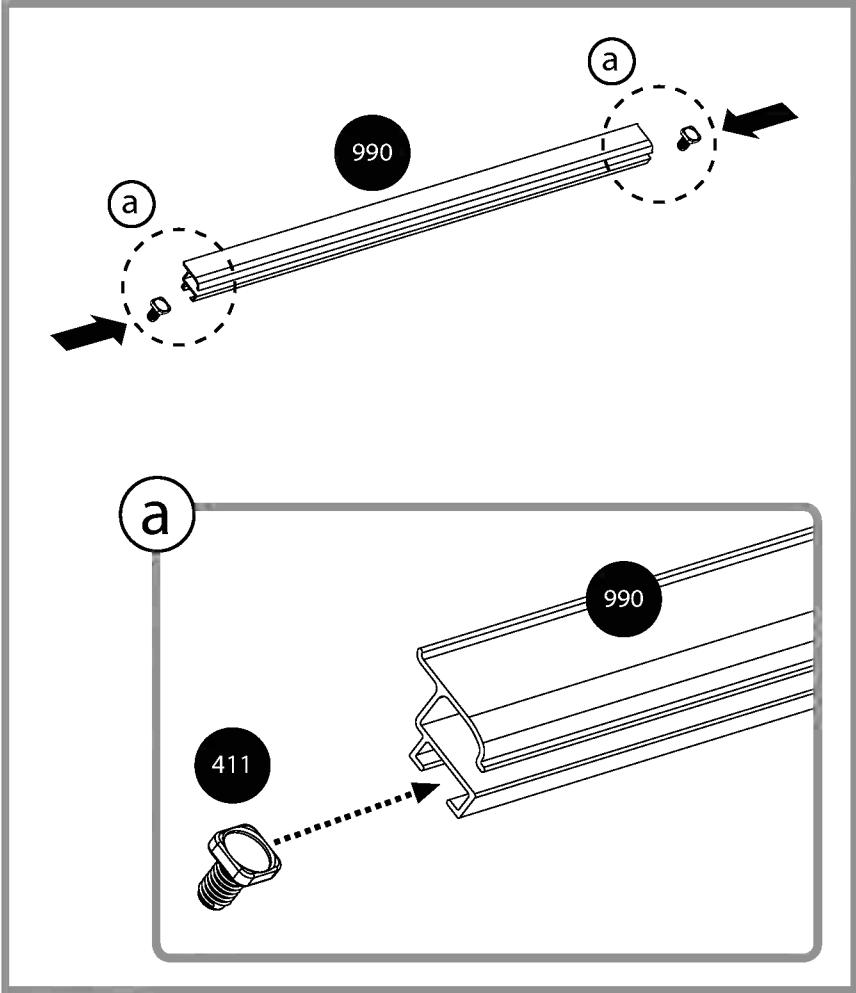
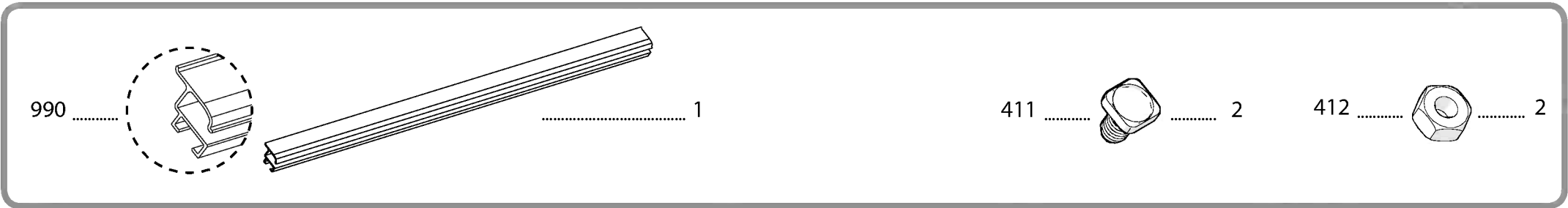
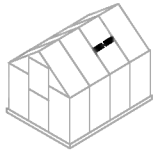
..... 2

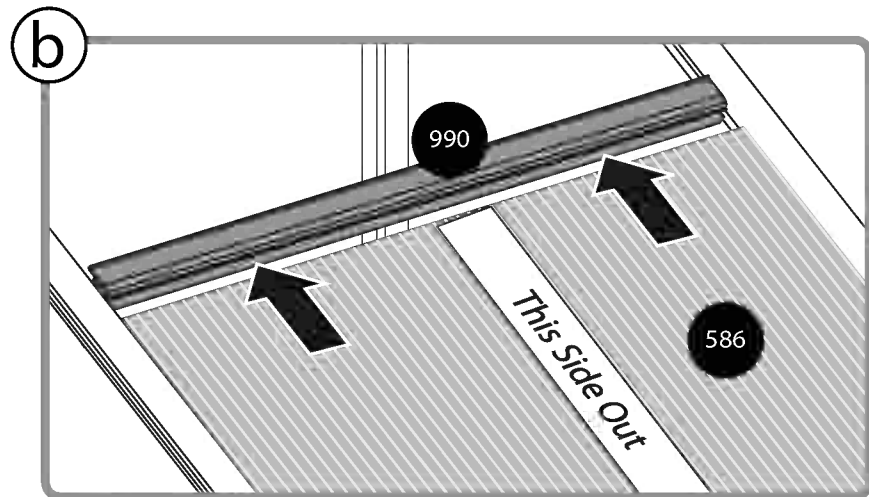
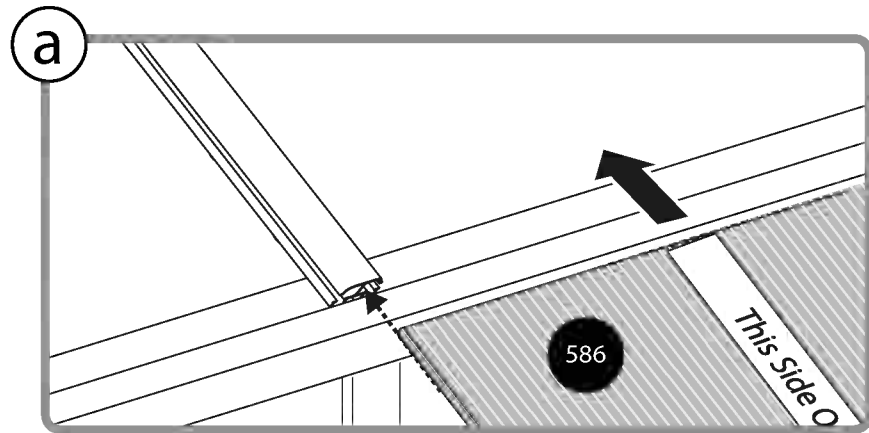
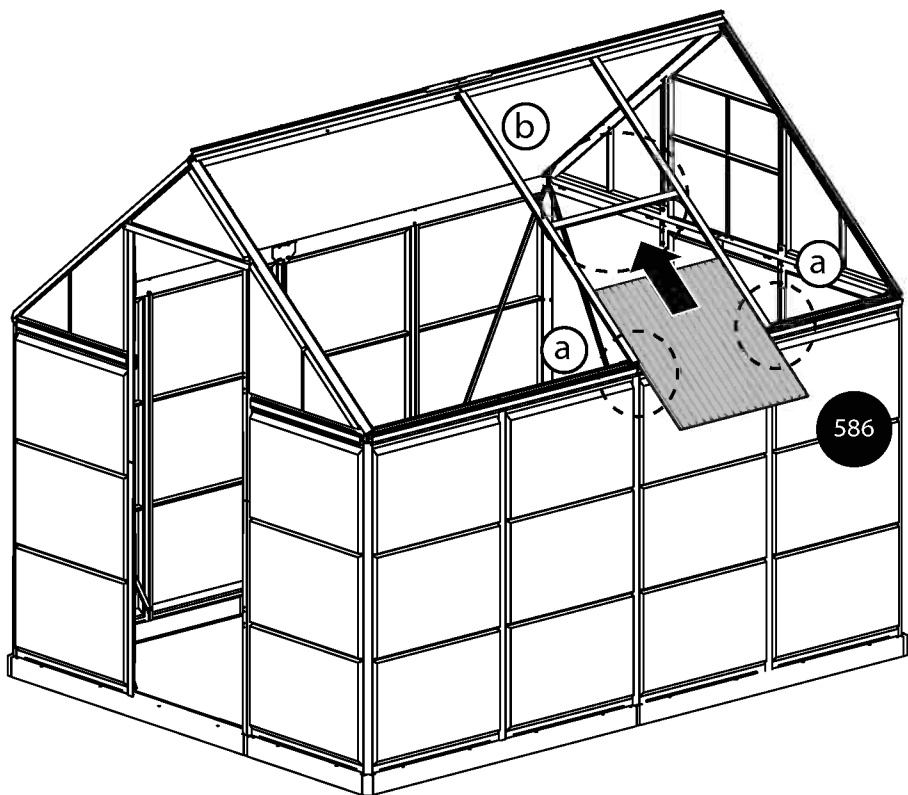
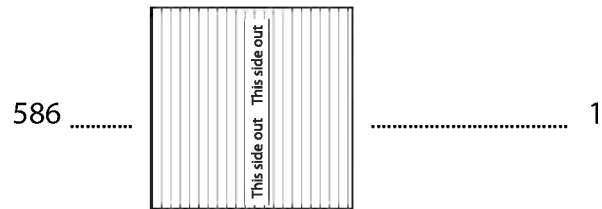
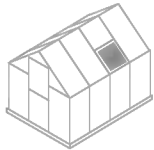
412

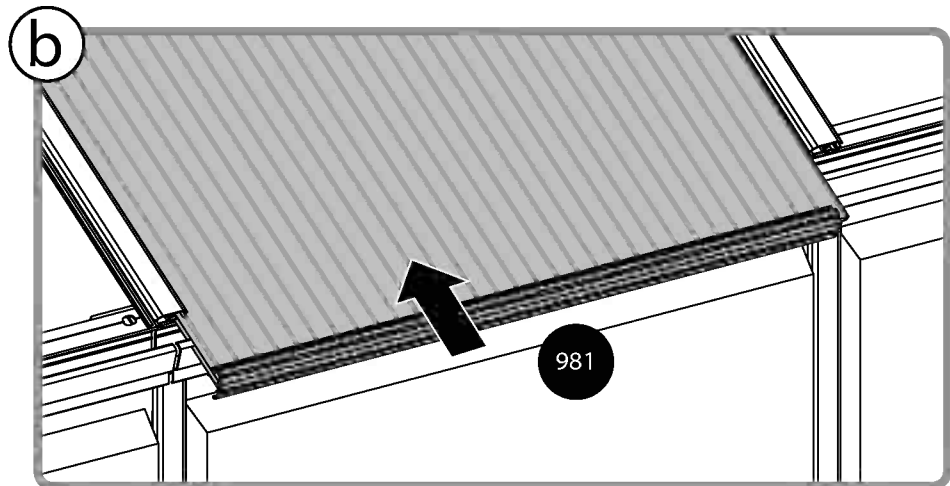
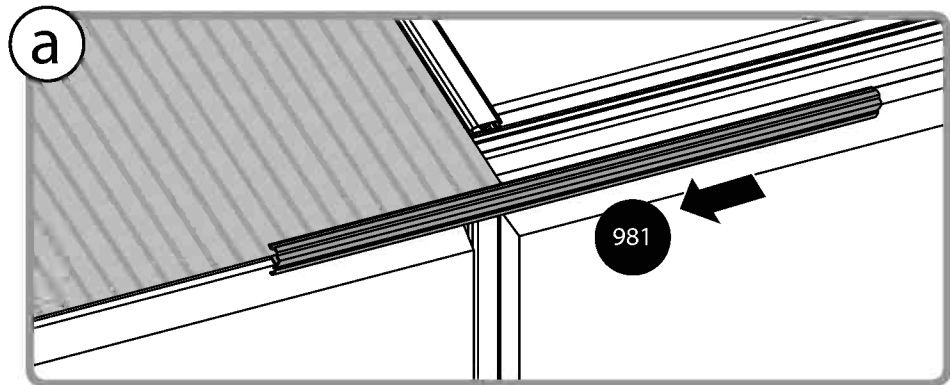
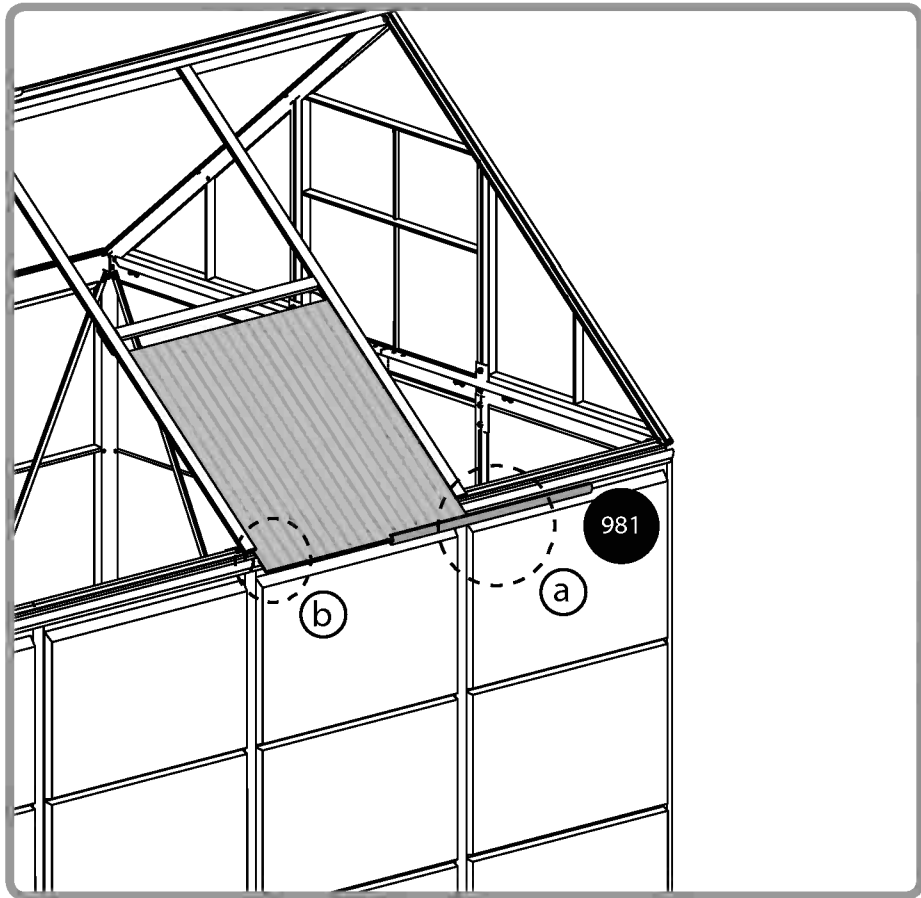
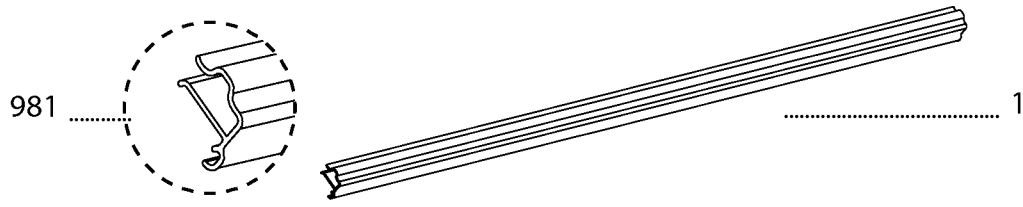
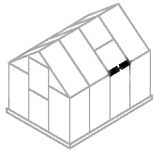


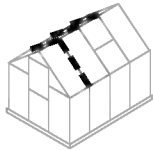
..... 2



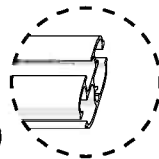








993



..... 4

411

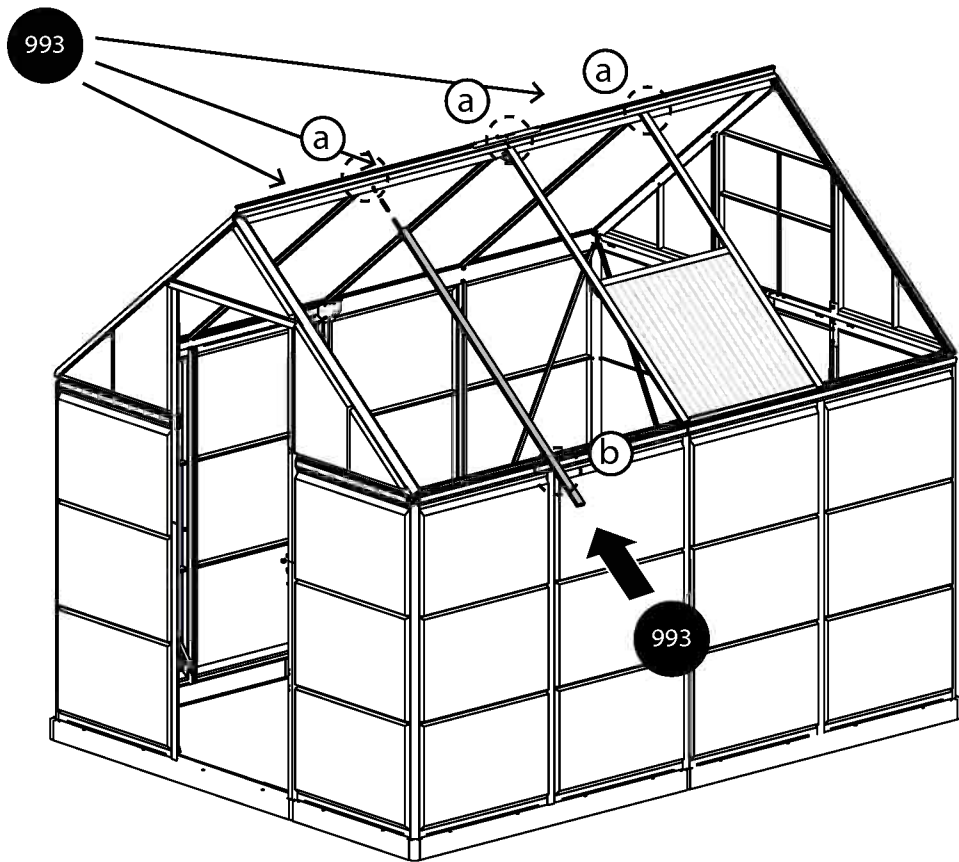


..... 4

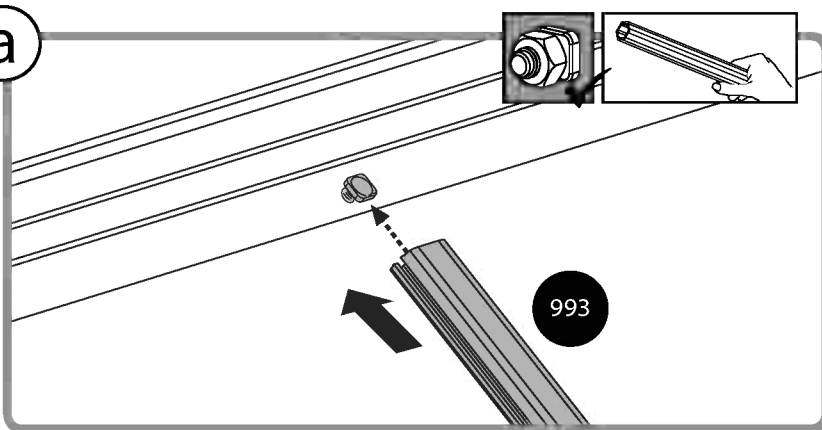
412



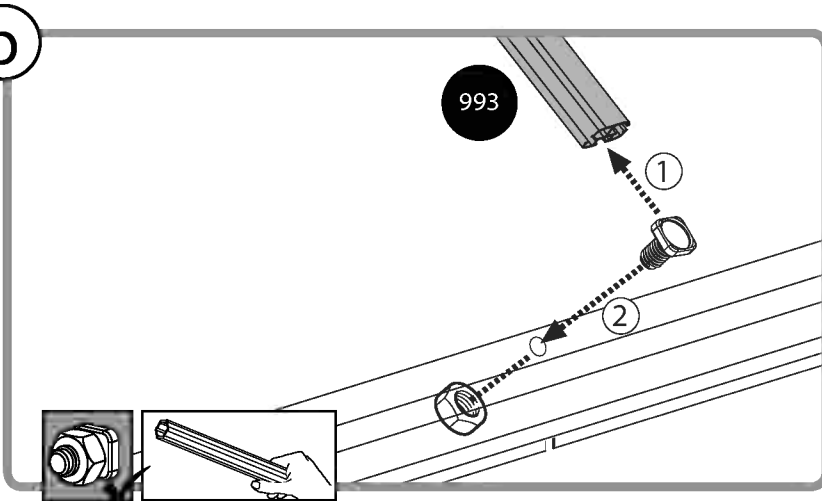
..... 4

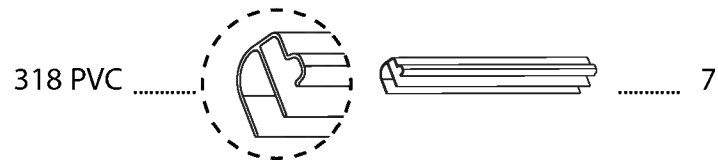
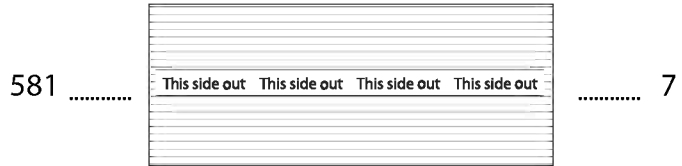
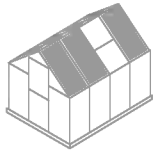


a

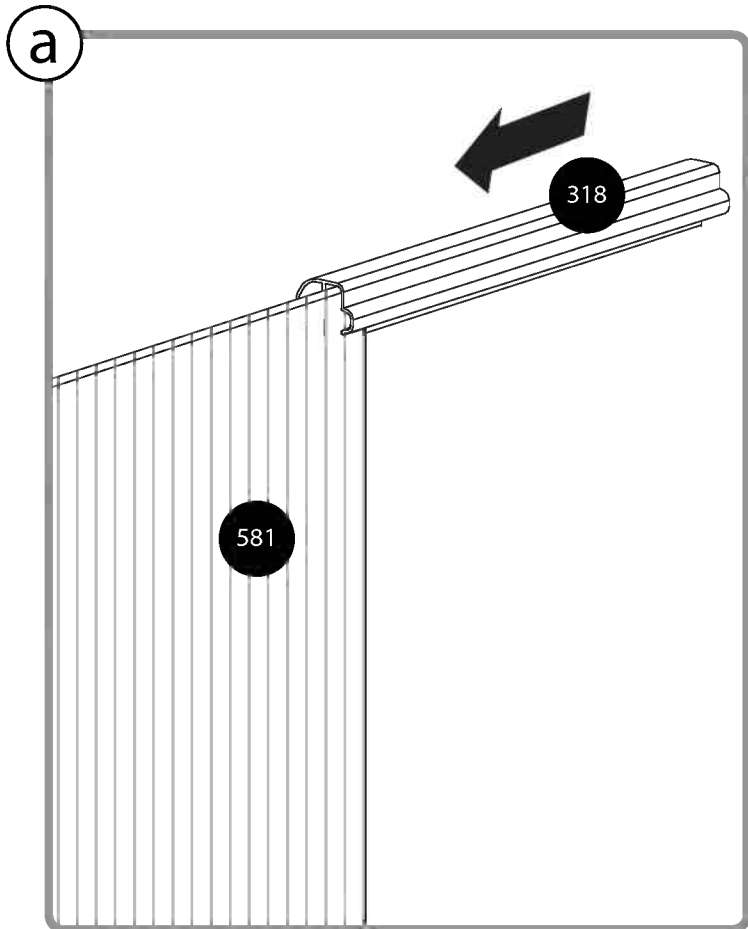
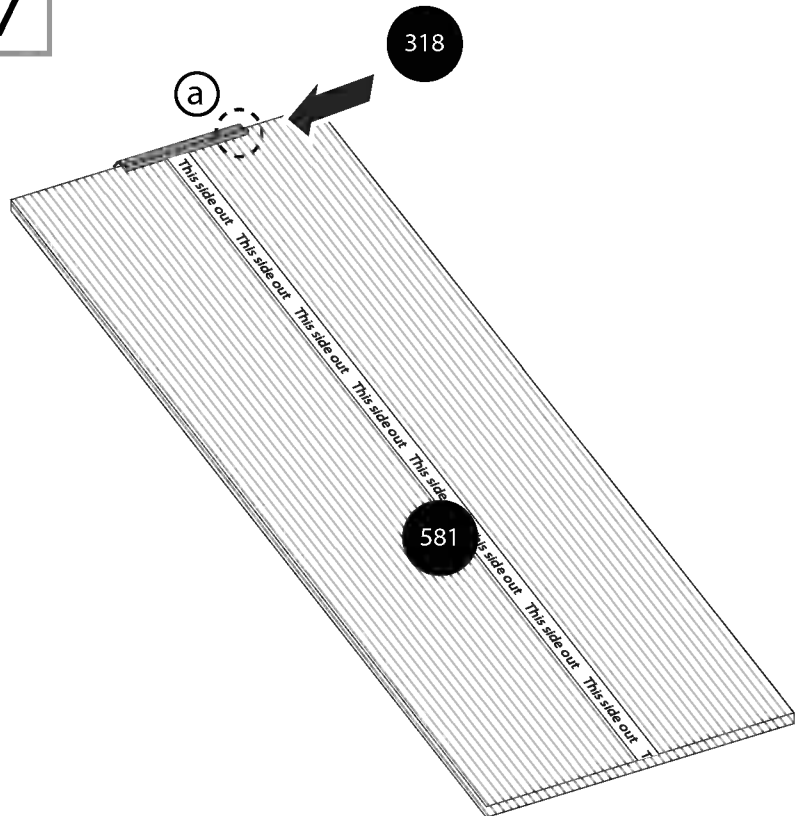


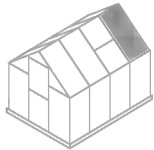
b



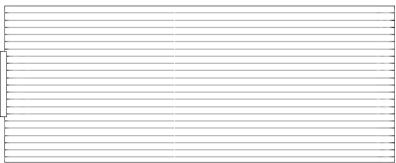


x7



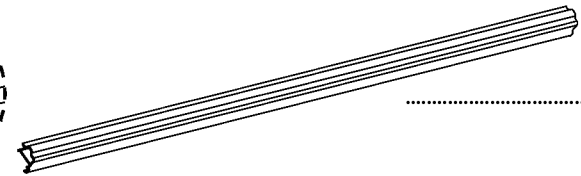


581 + 318 PVC

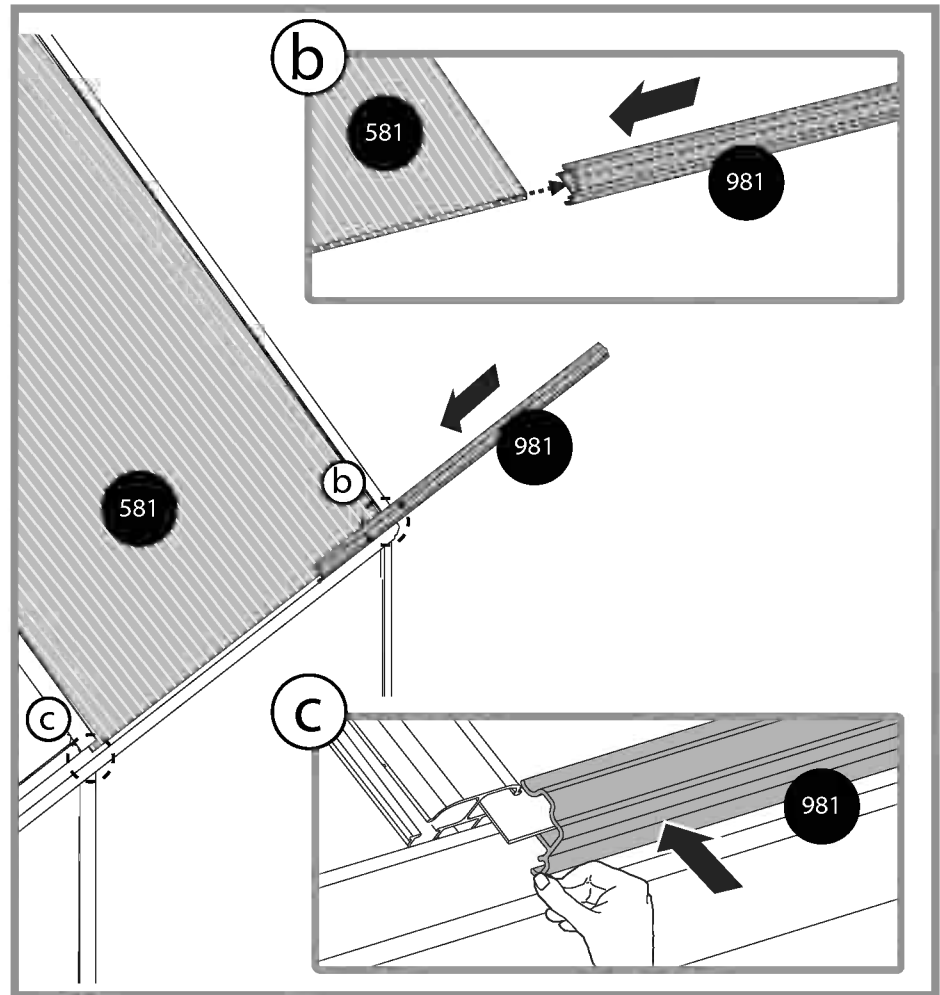
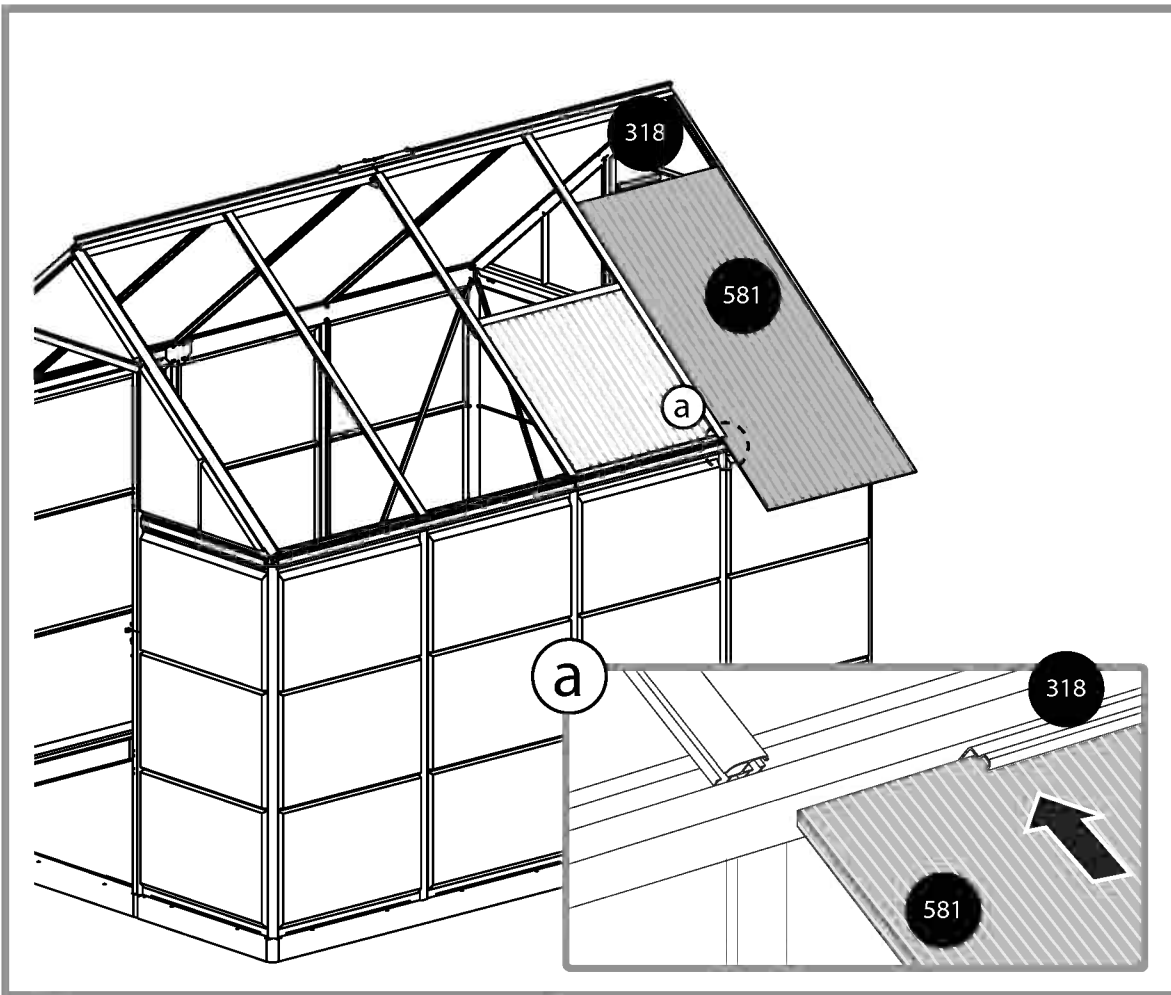


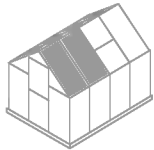
..... 1

981

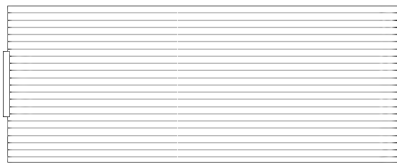


..... 1



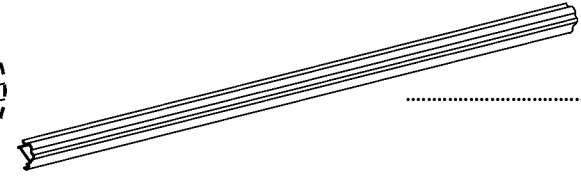


581 + 318 PVC

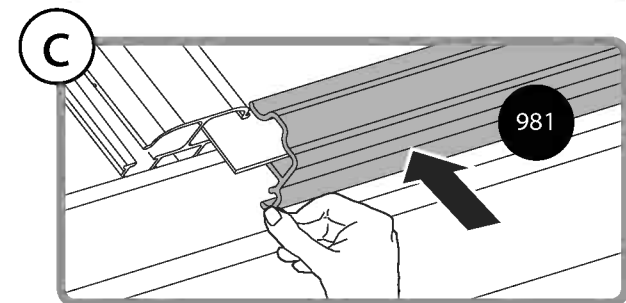
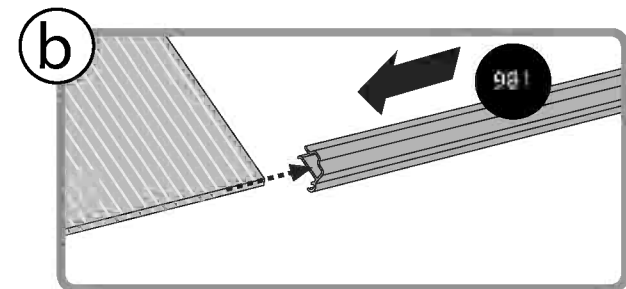
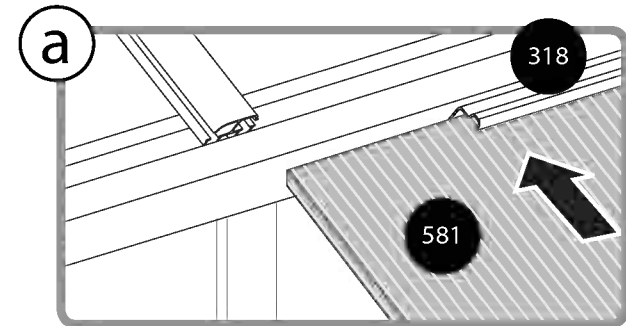
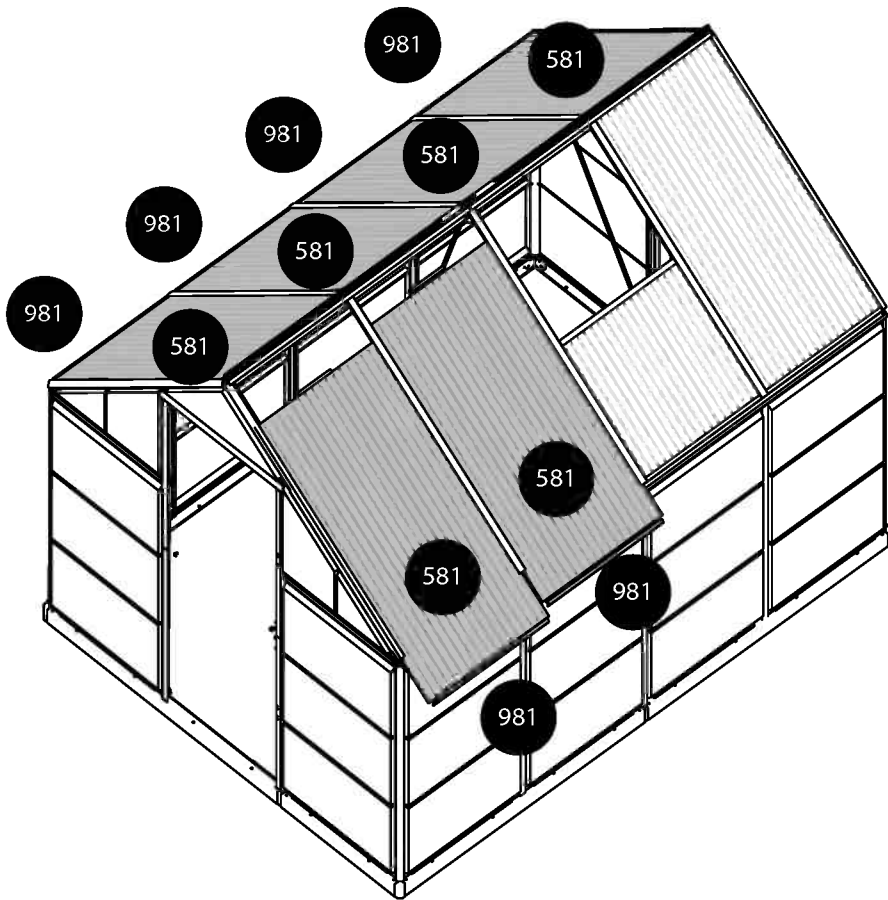


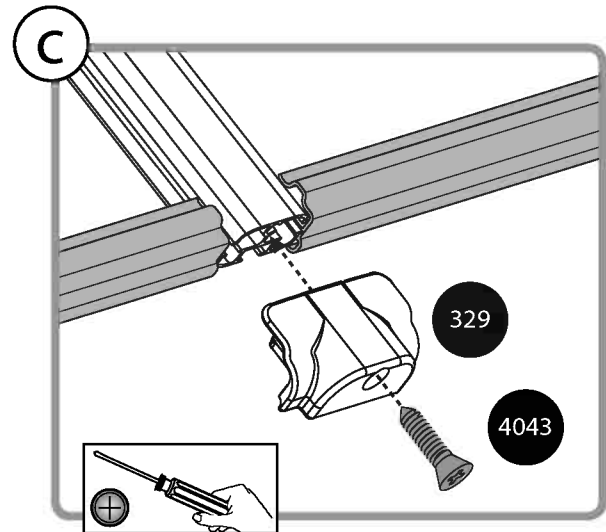
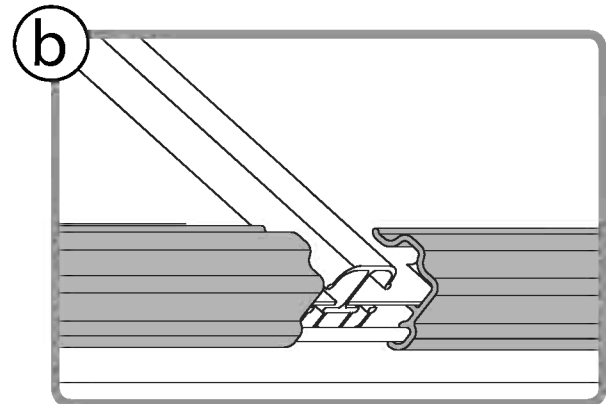
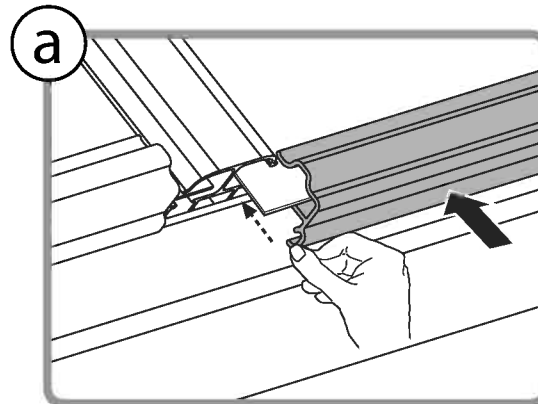
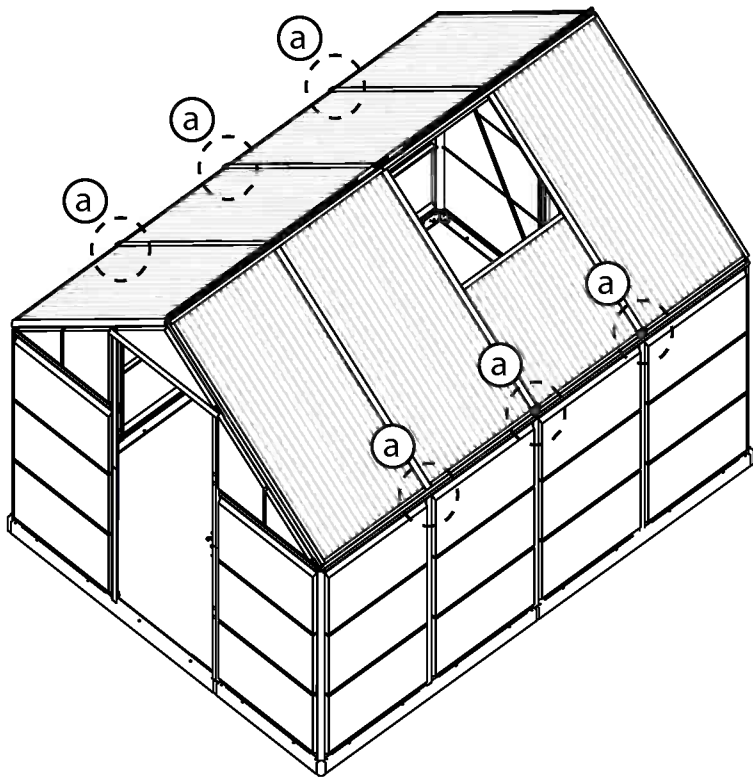
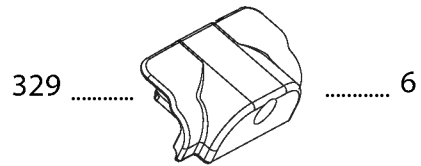
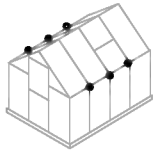
..... 6

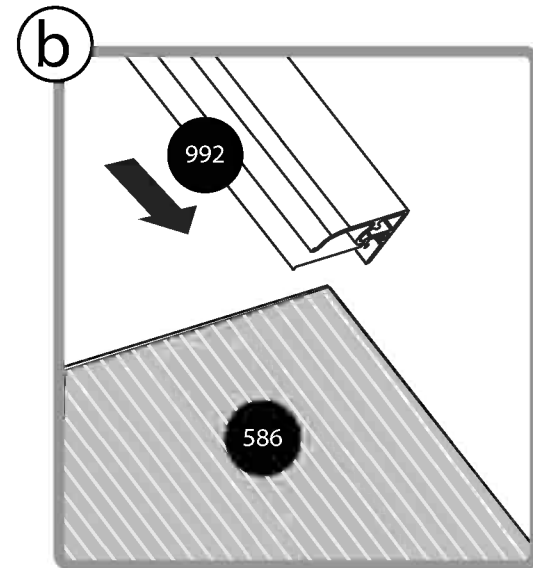
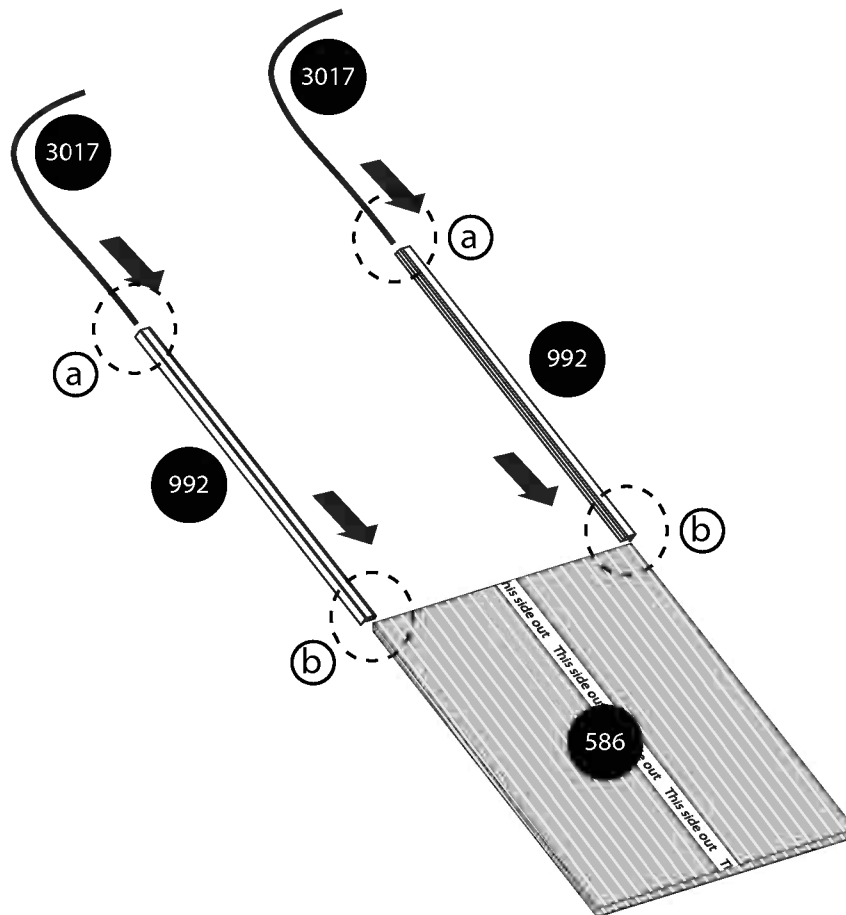
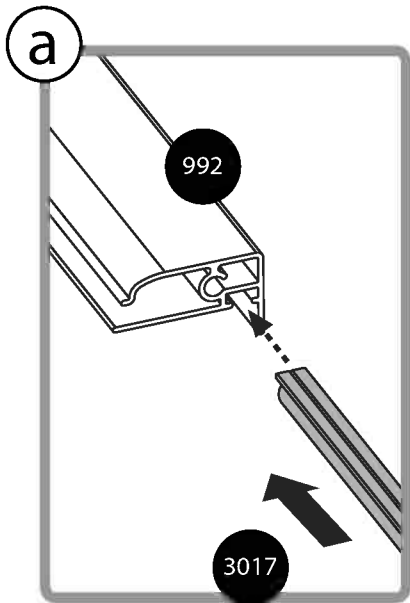
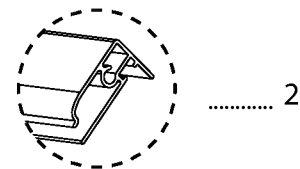
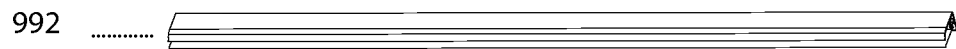
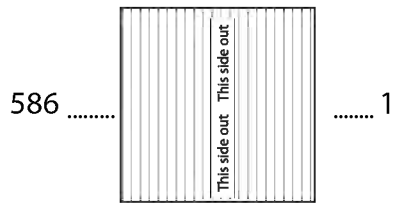
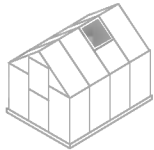
981

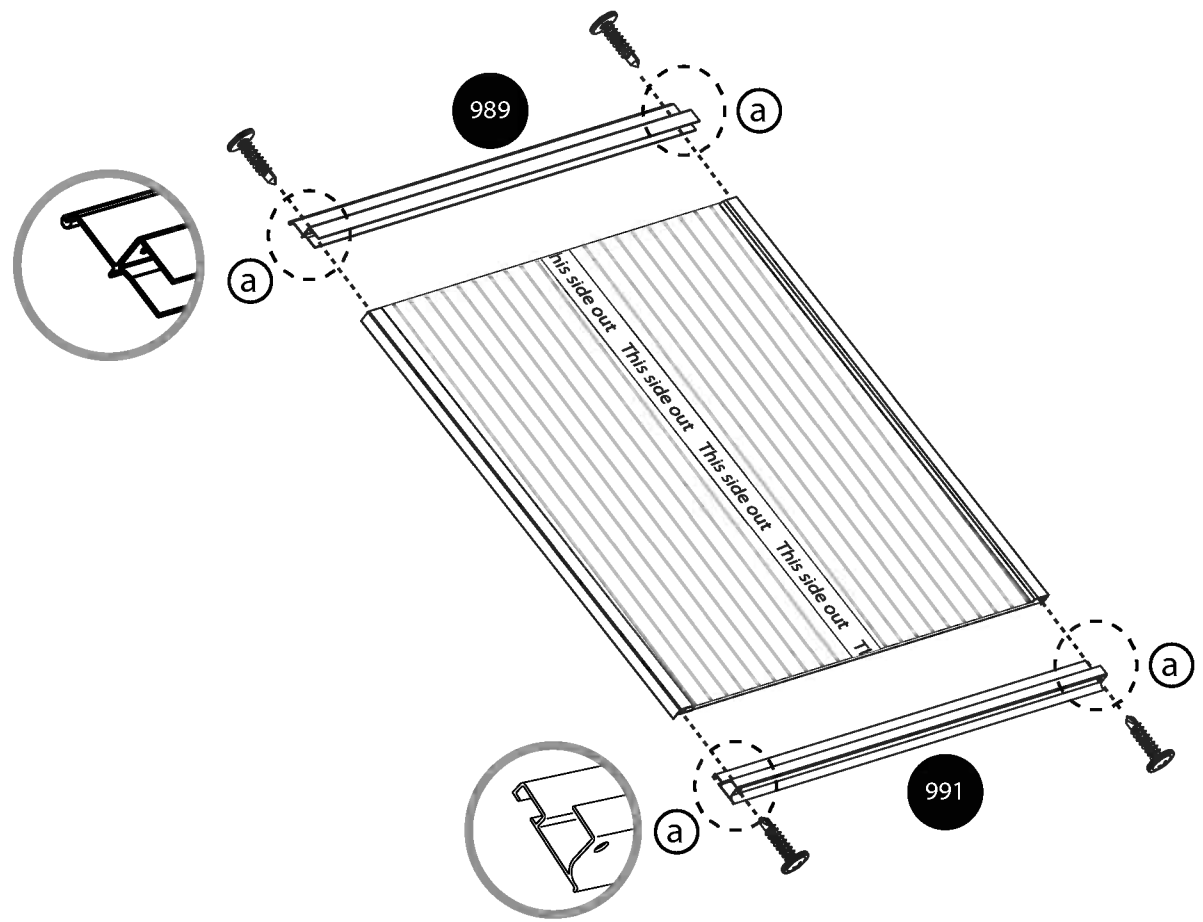
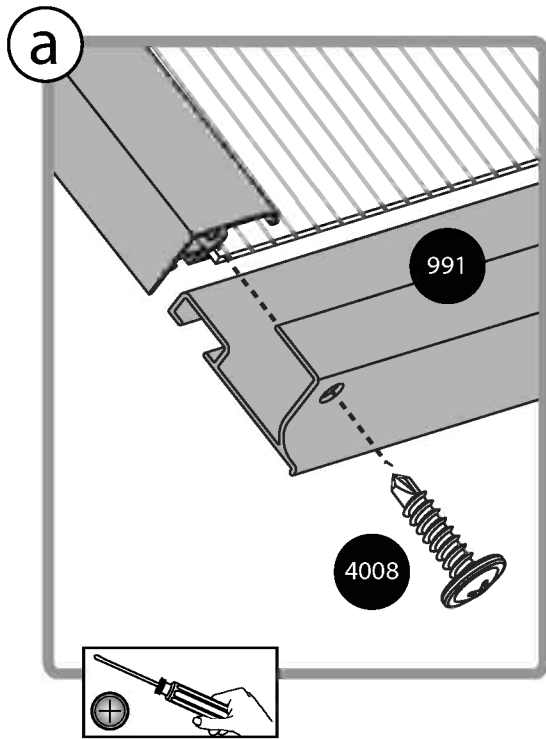
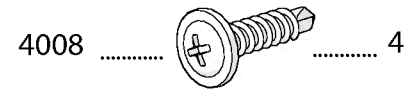
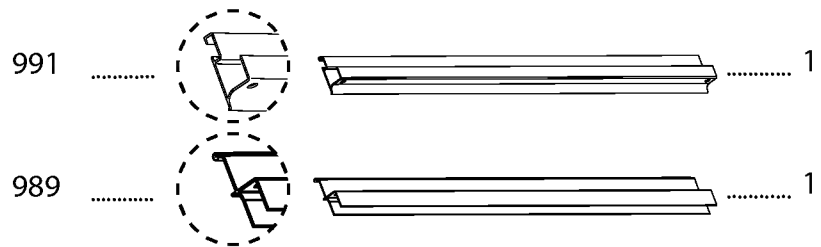


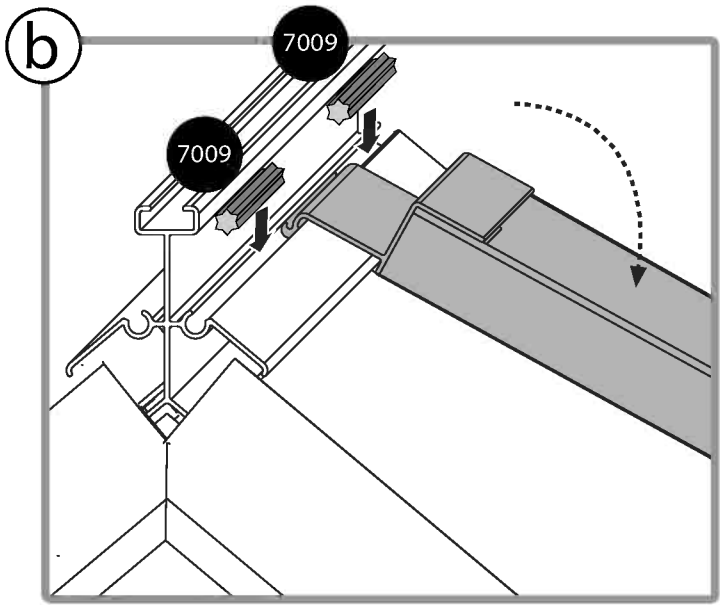
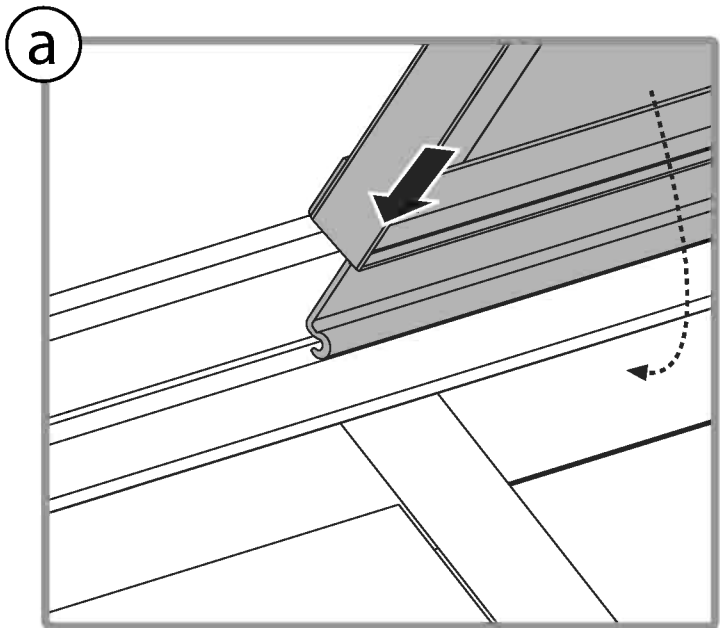
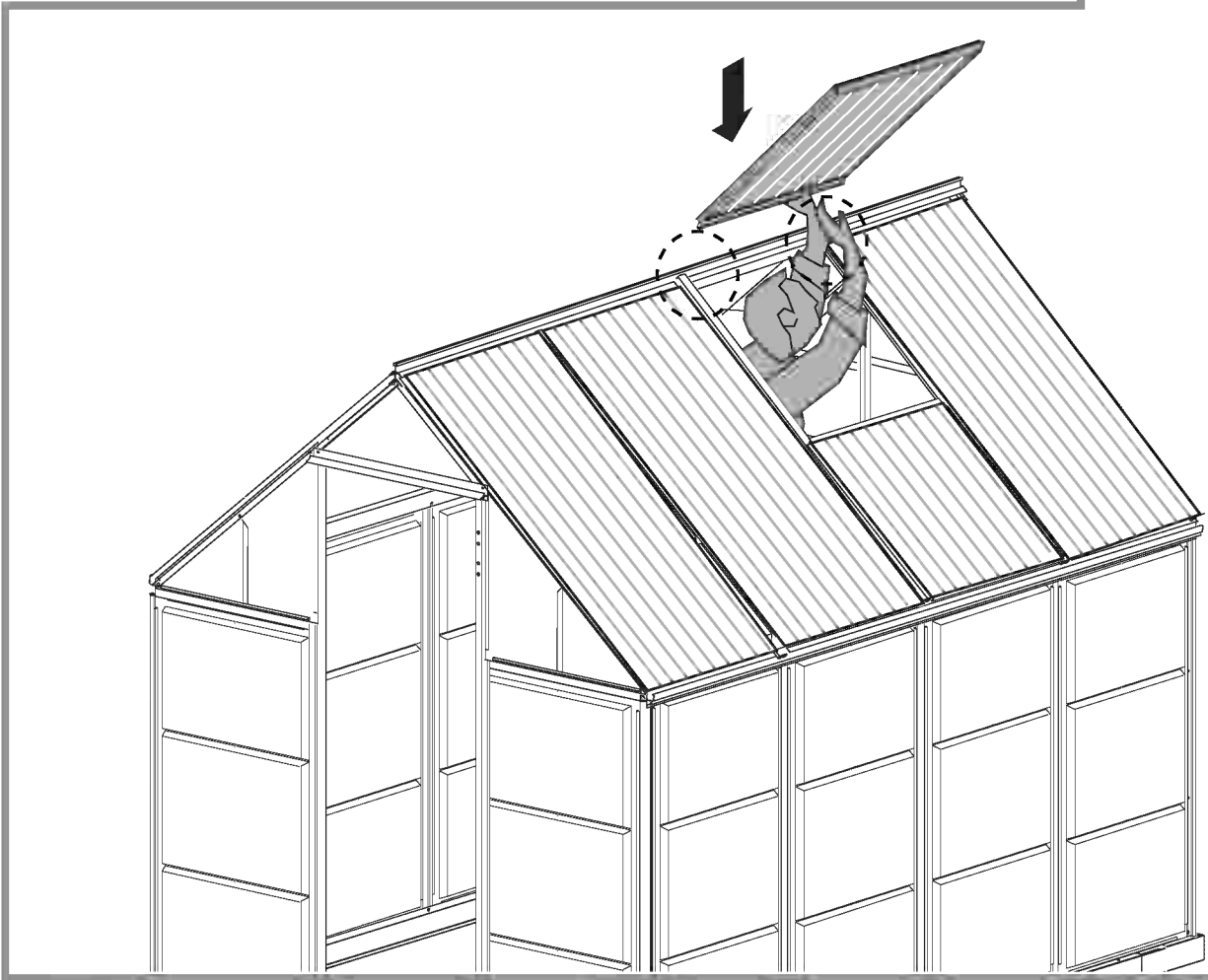
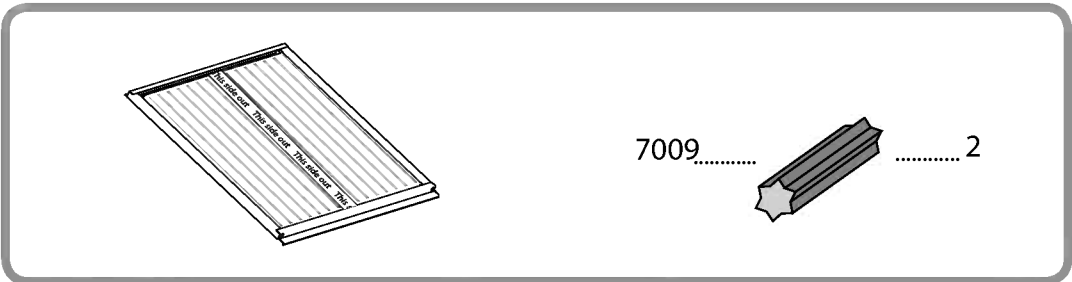
..... 6

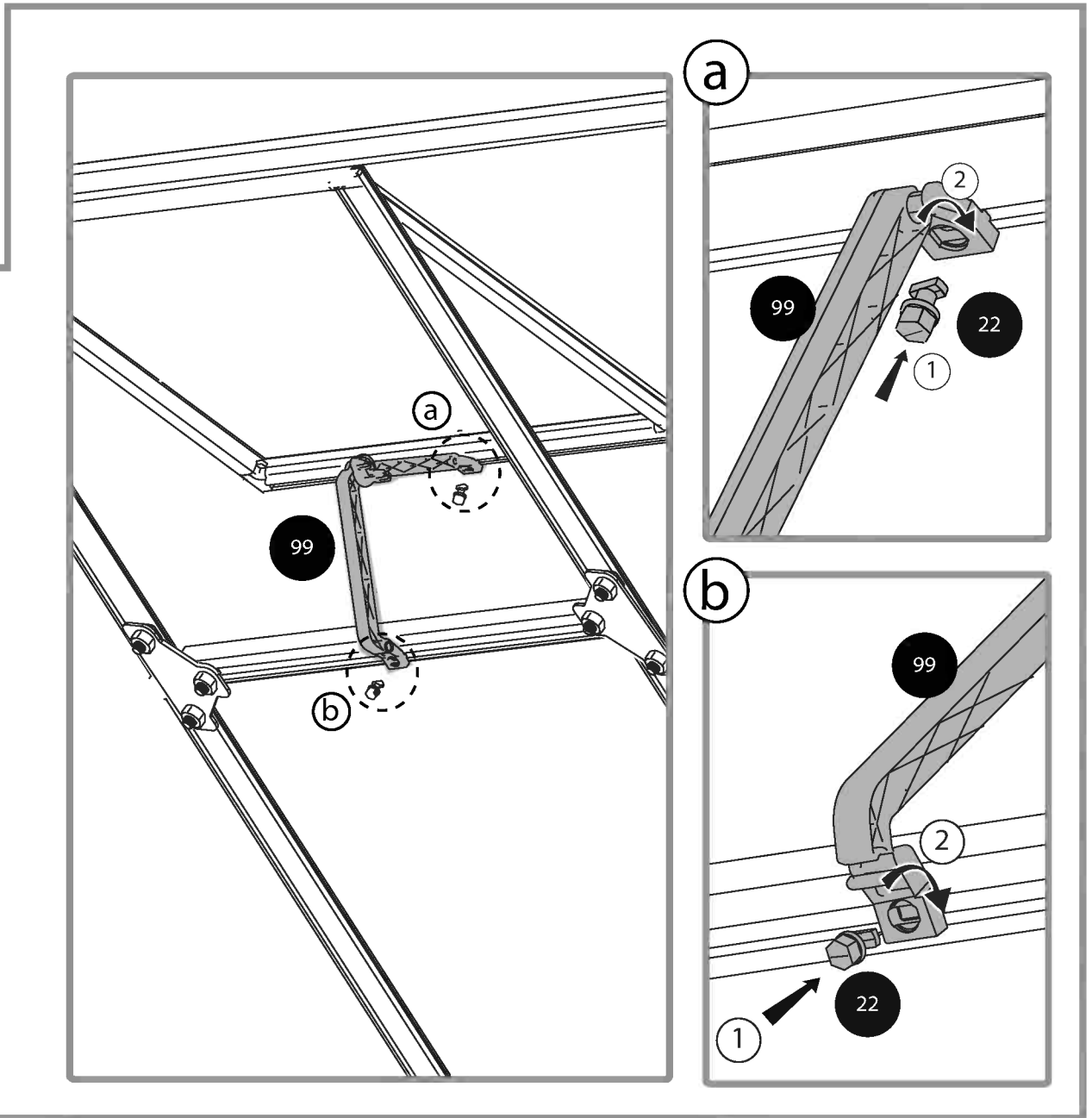
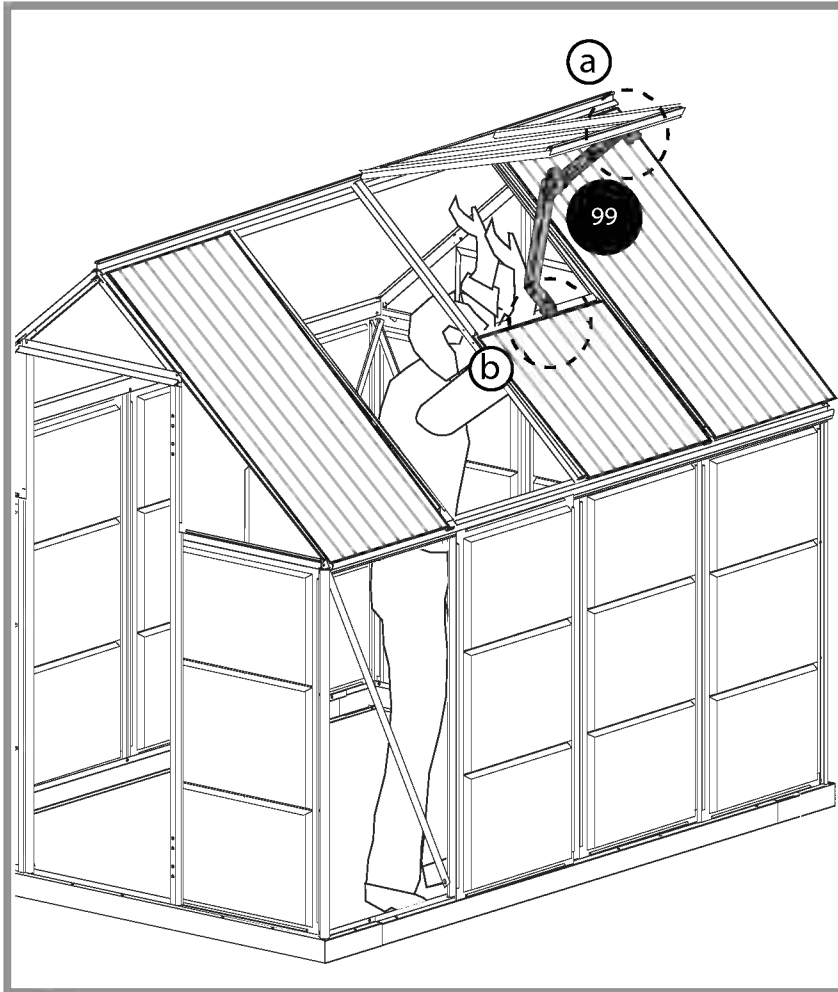
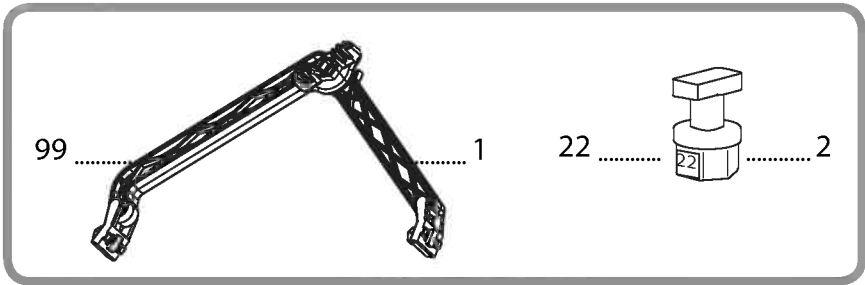


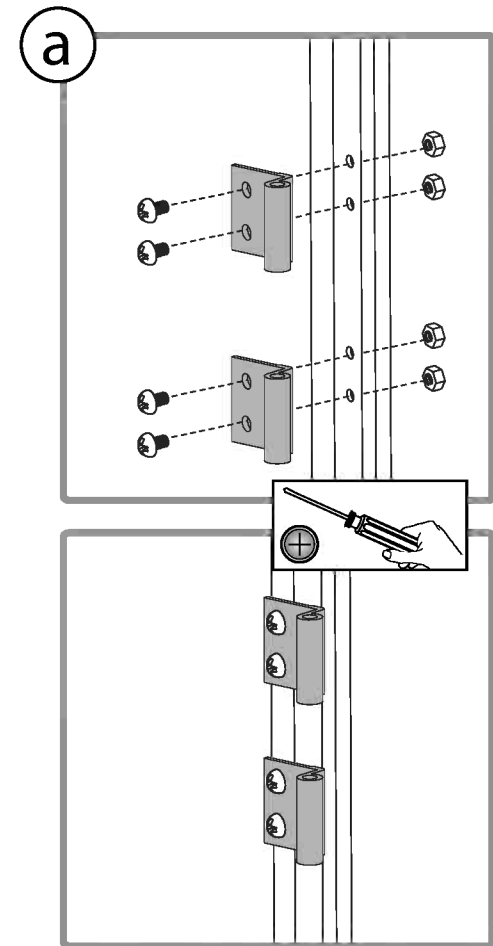
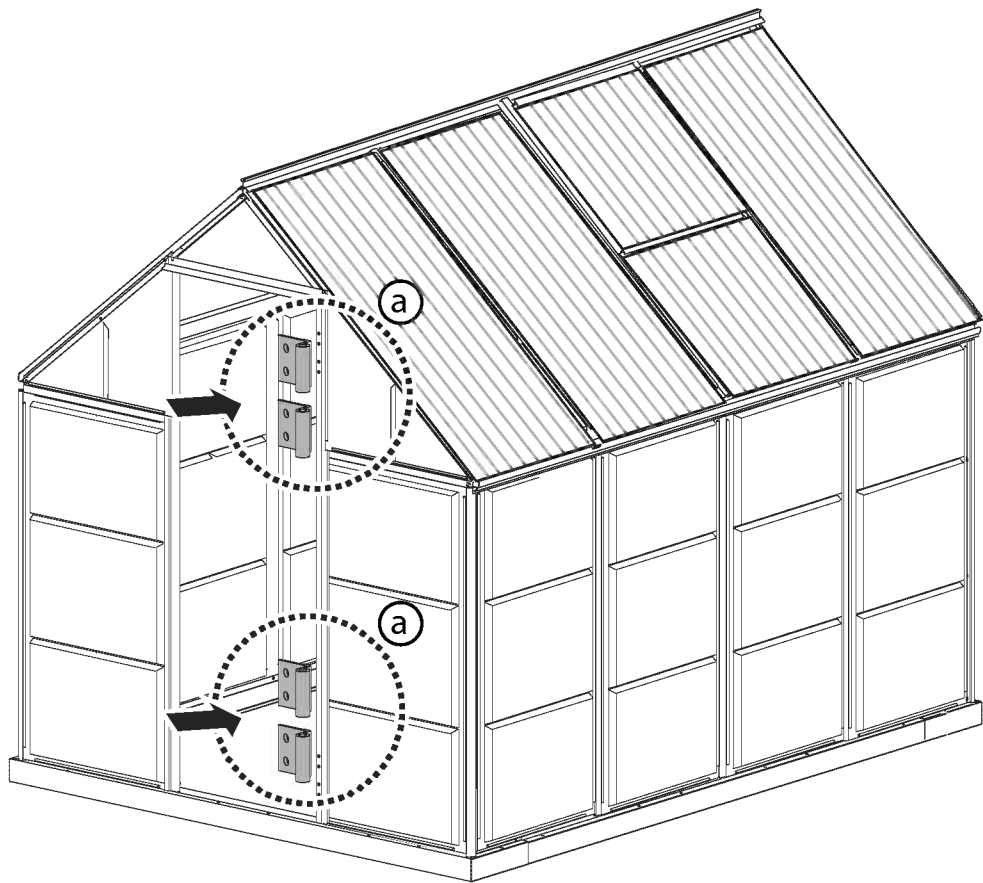
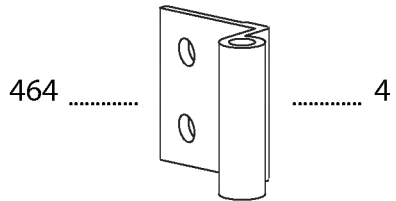
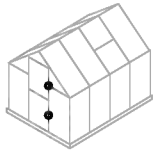


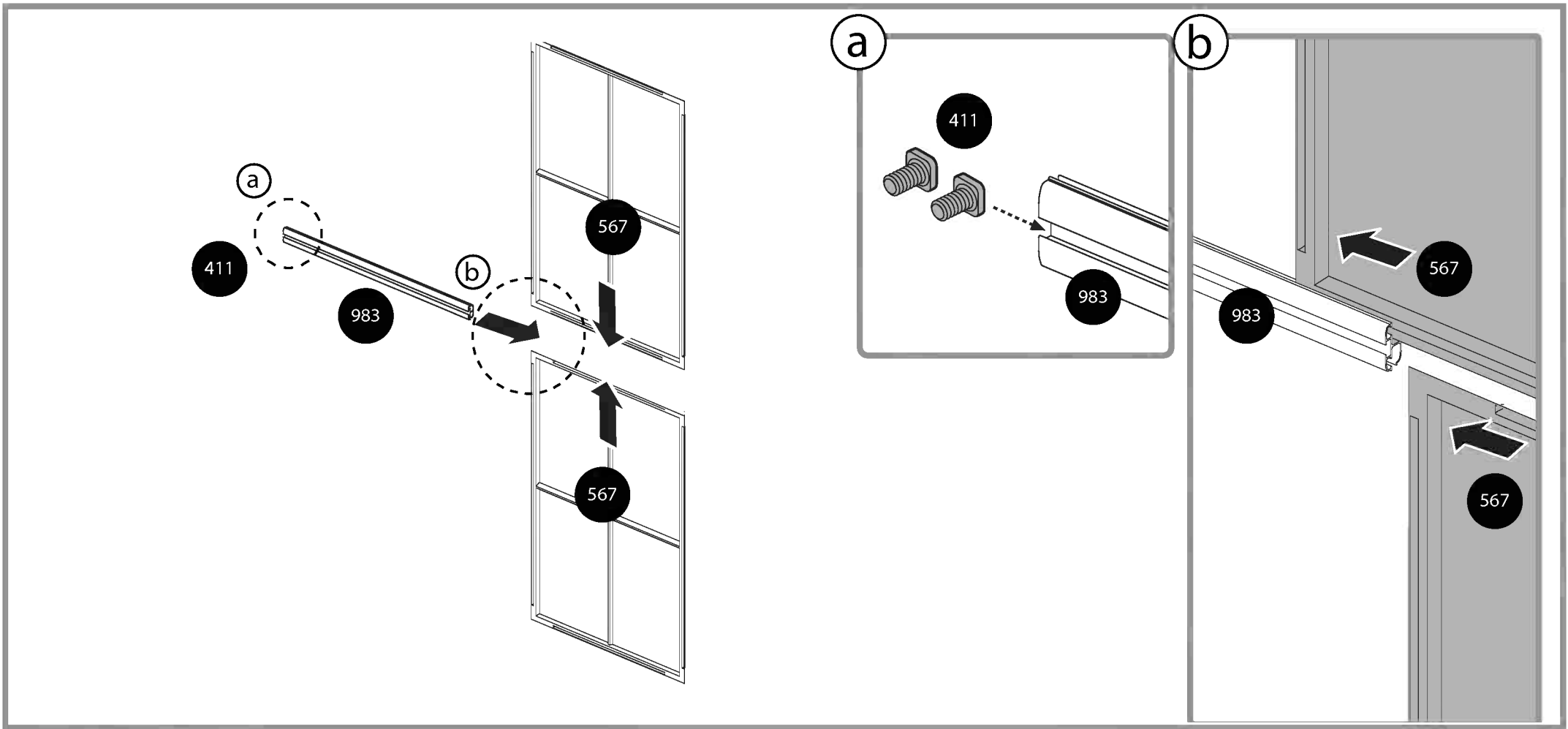
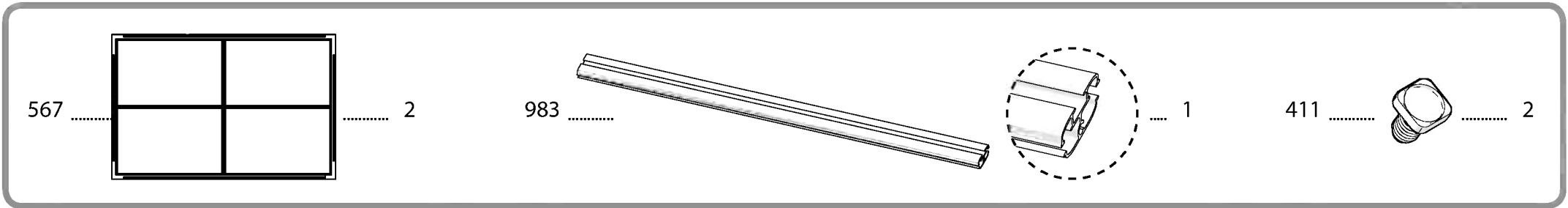


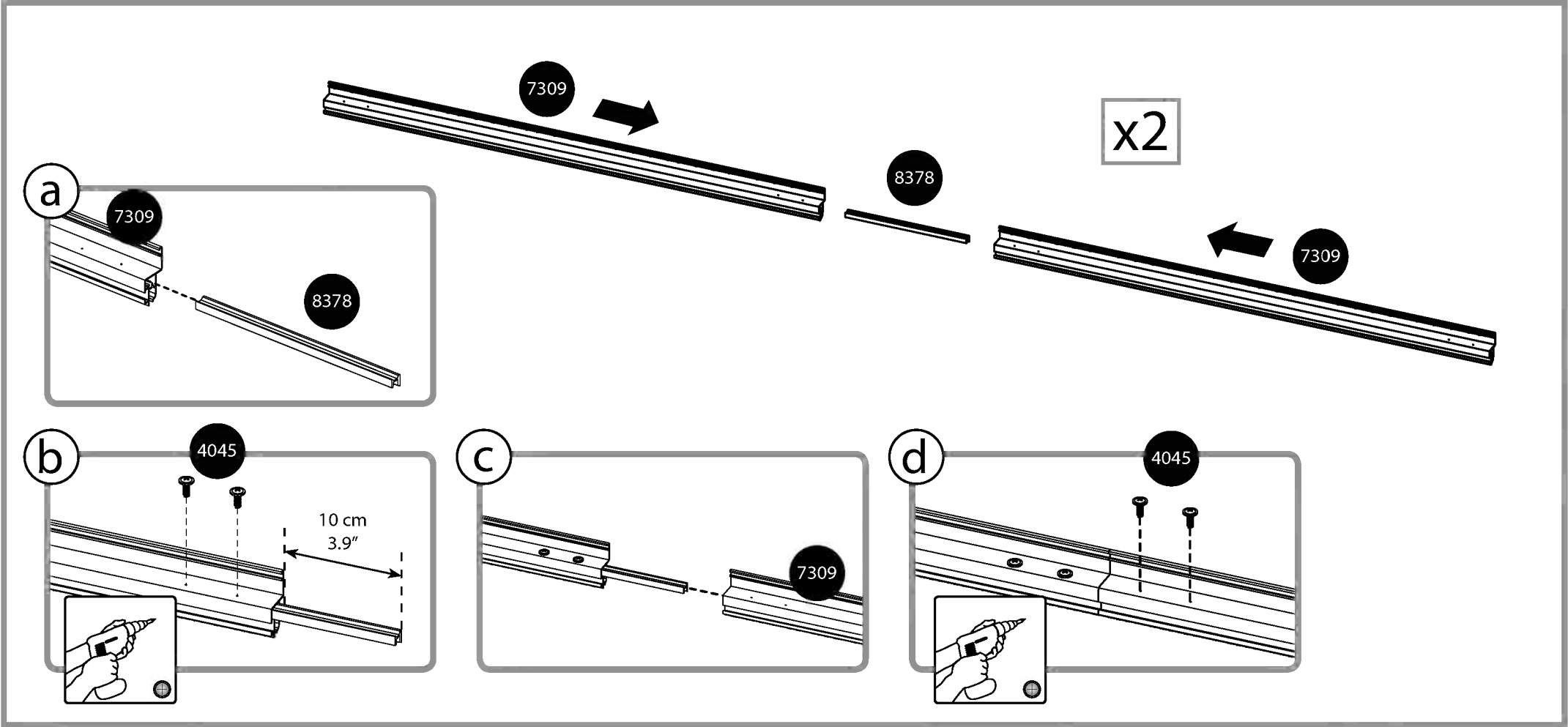
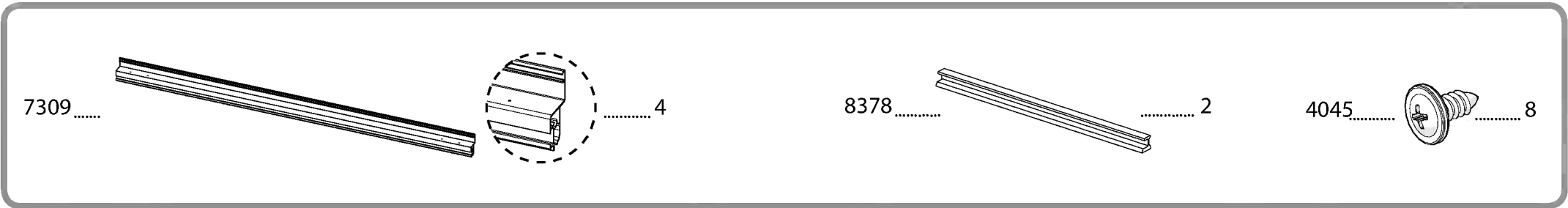


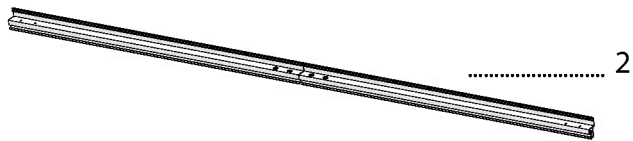




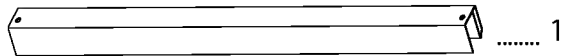




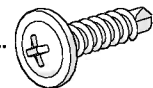




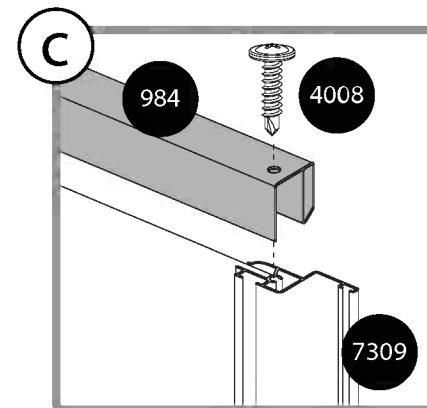
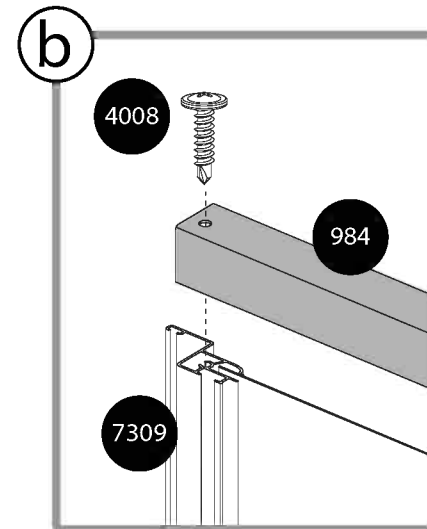
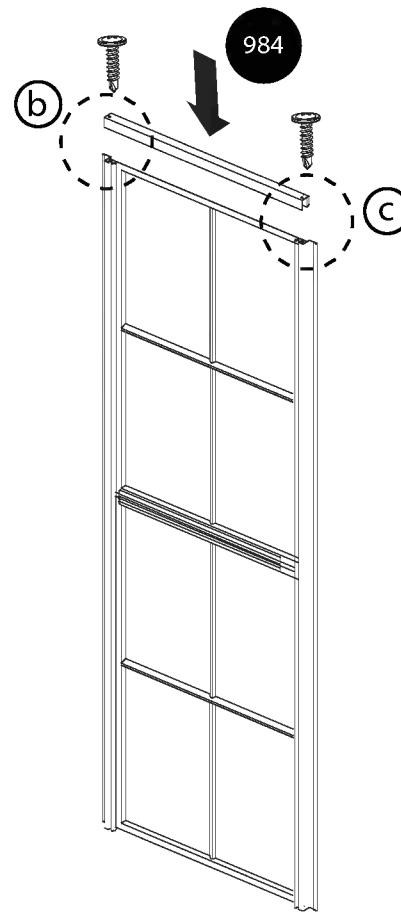
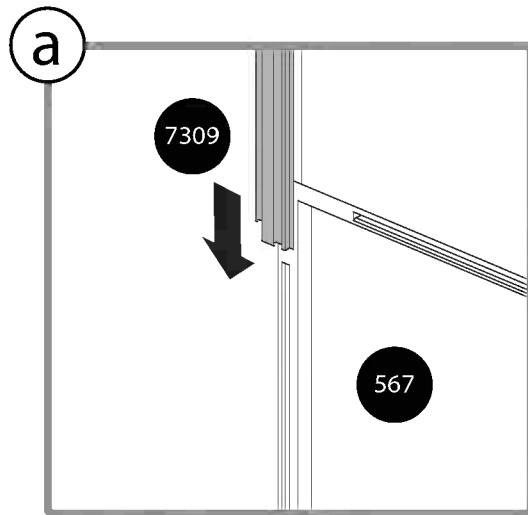
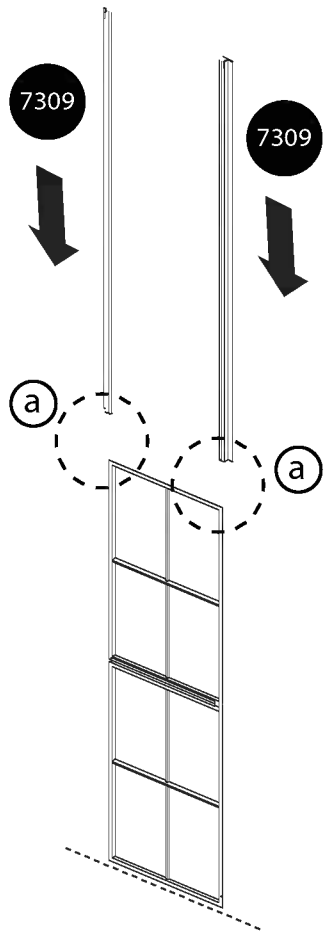
984



4008

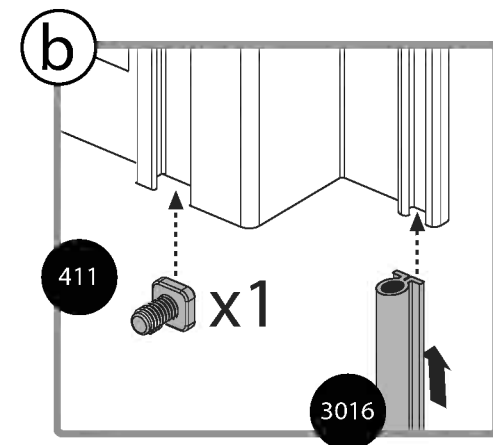
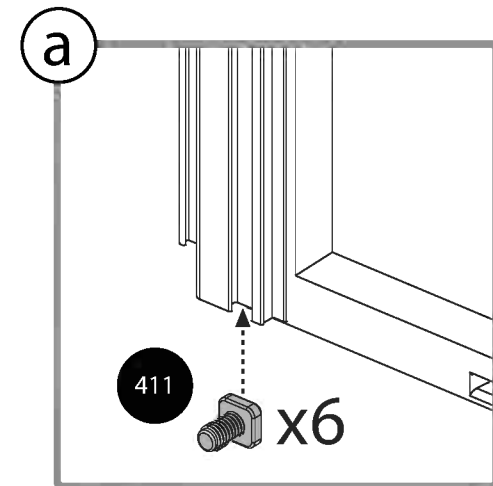
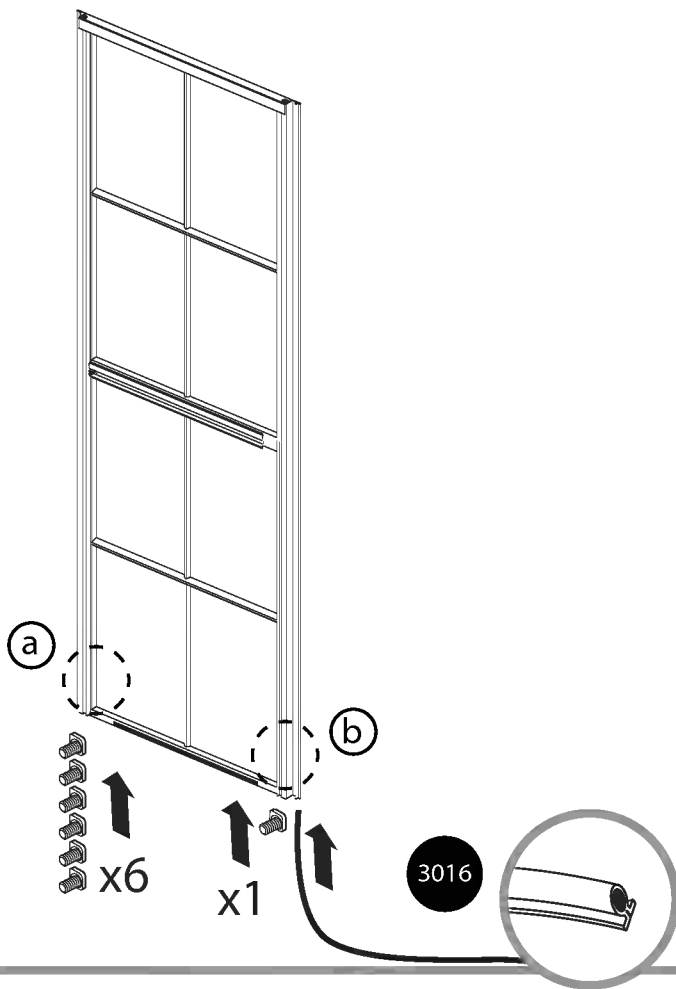


2

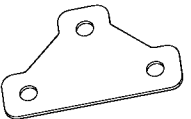
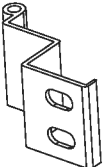



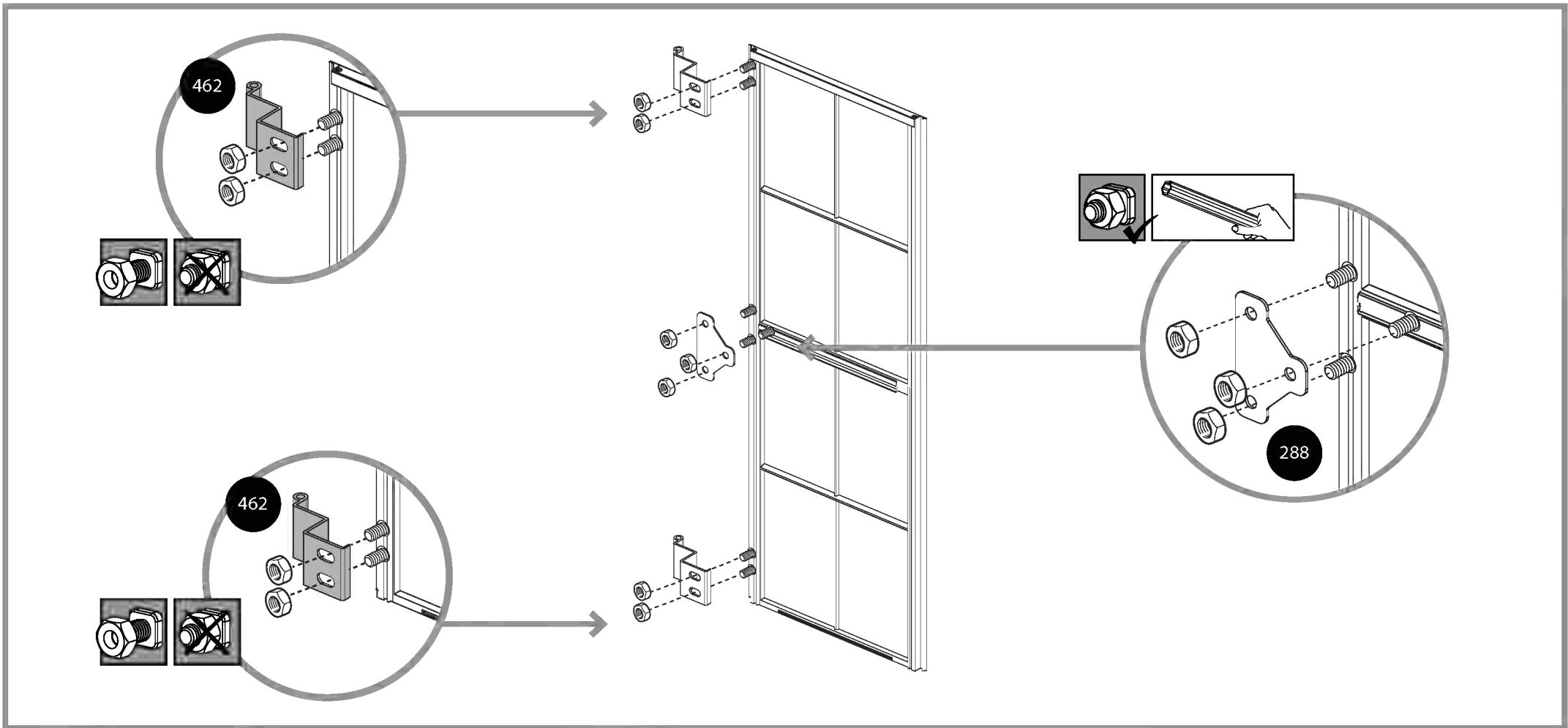


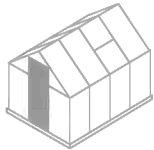
411 7 3016 1



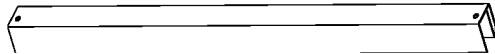


- 288  1
- 462  2
- 412  7

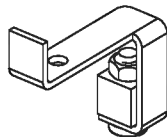




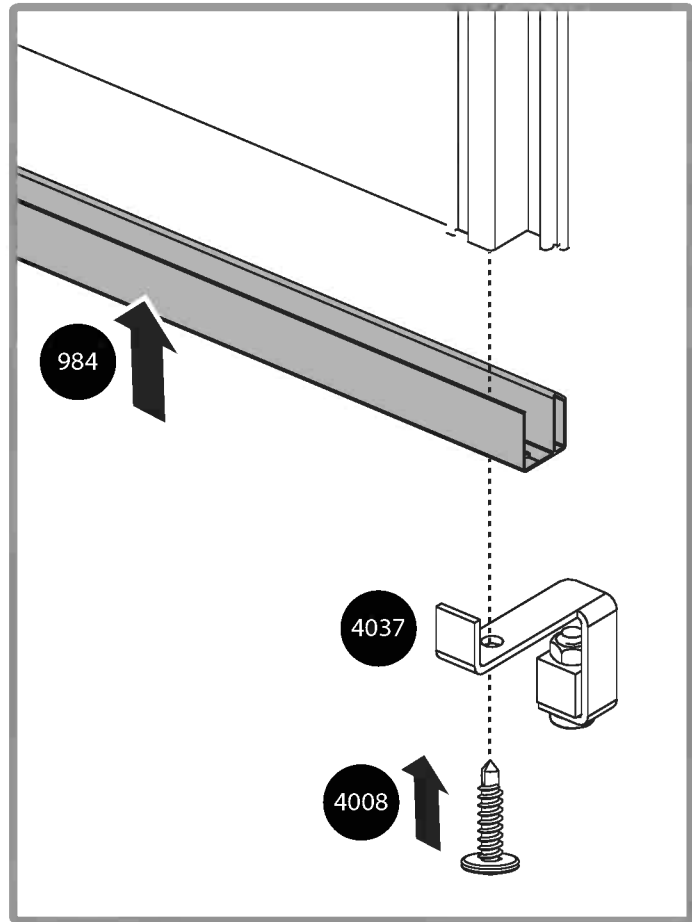
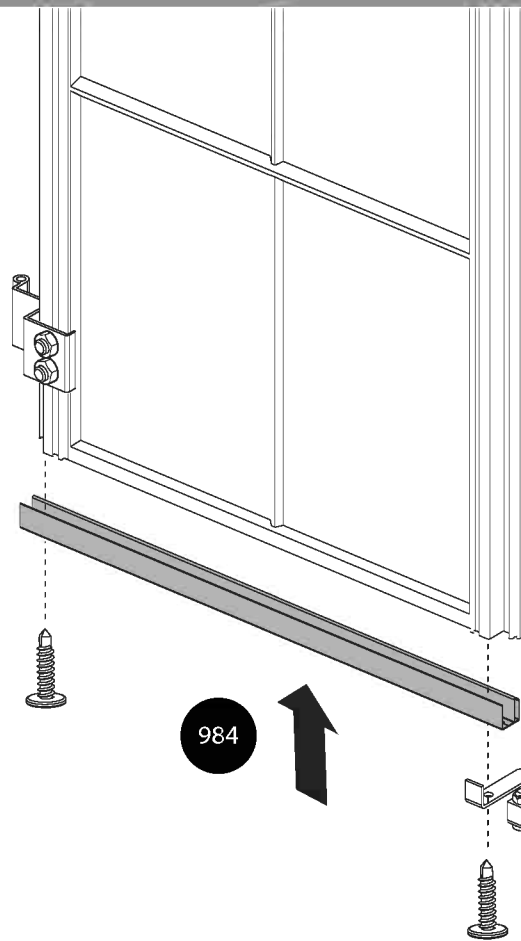
984 1

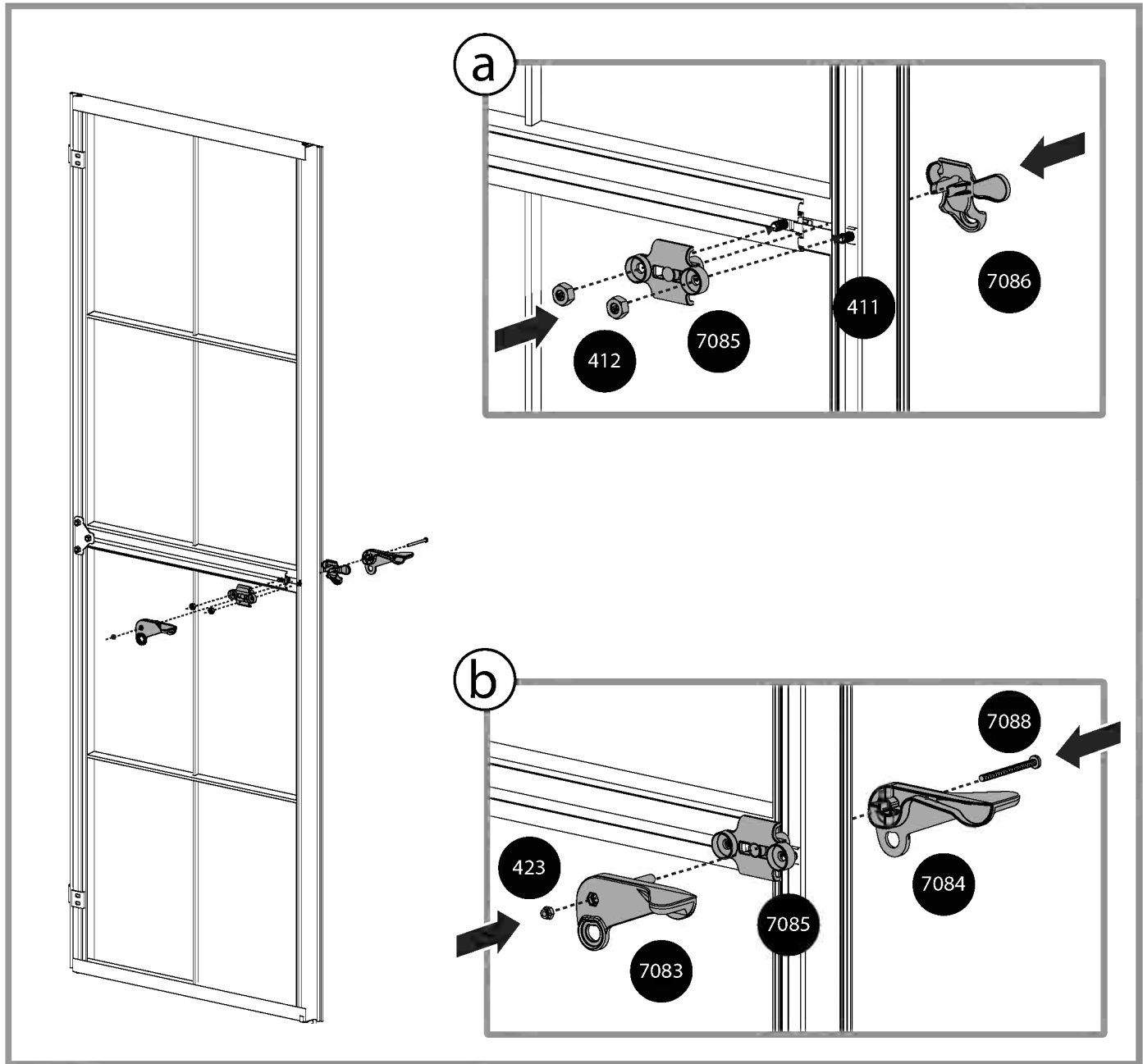
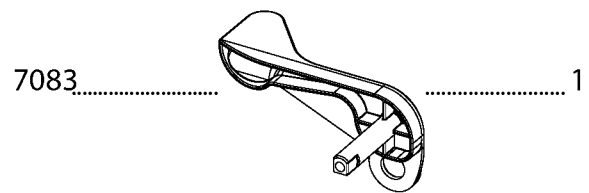
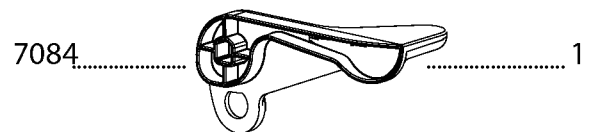
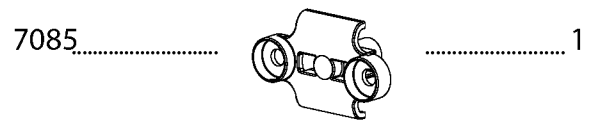
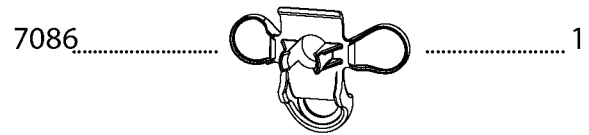


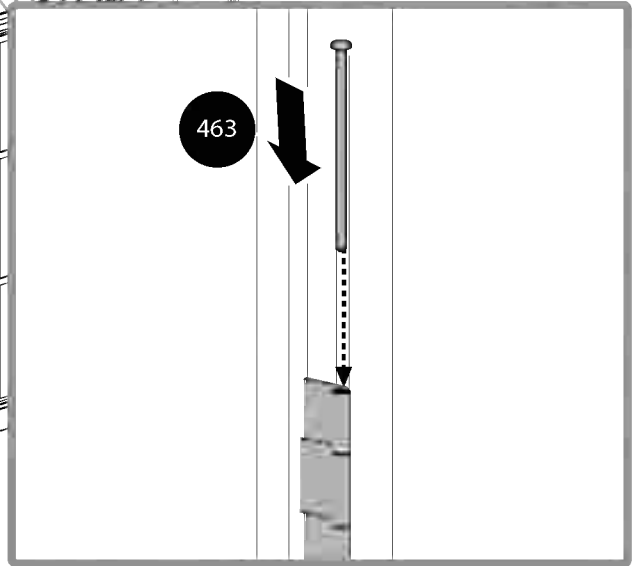
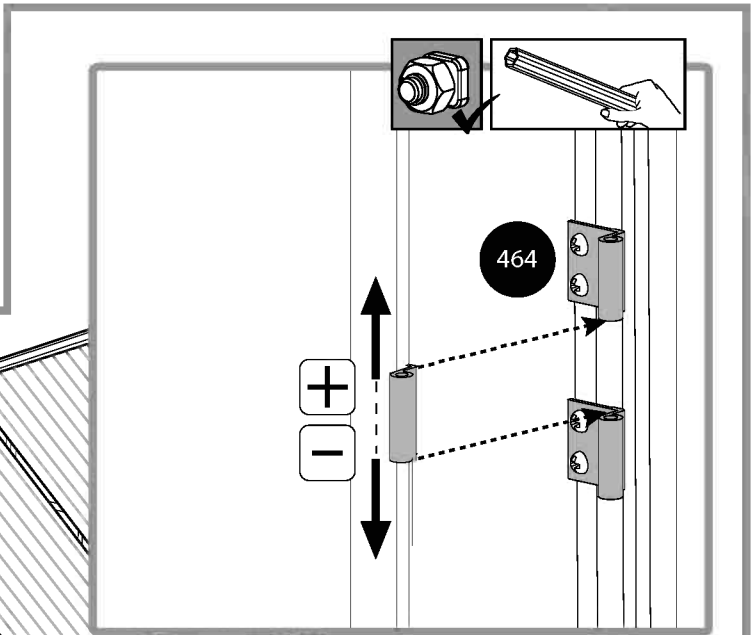
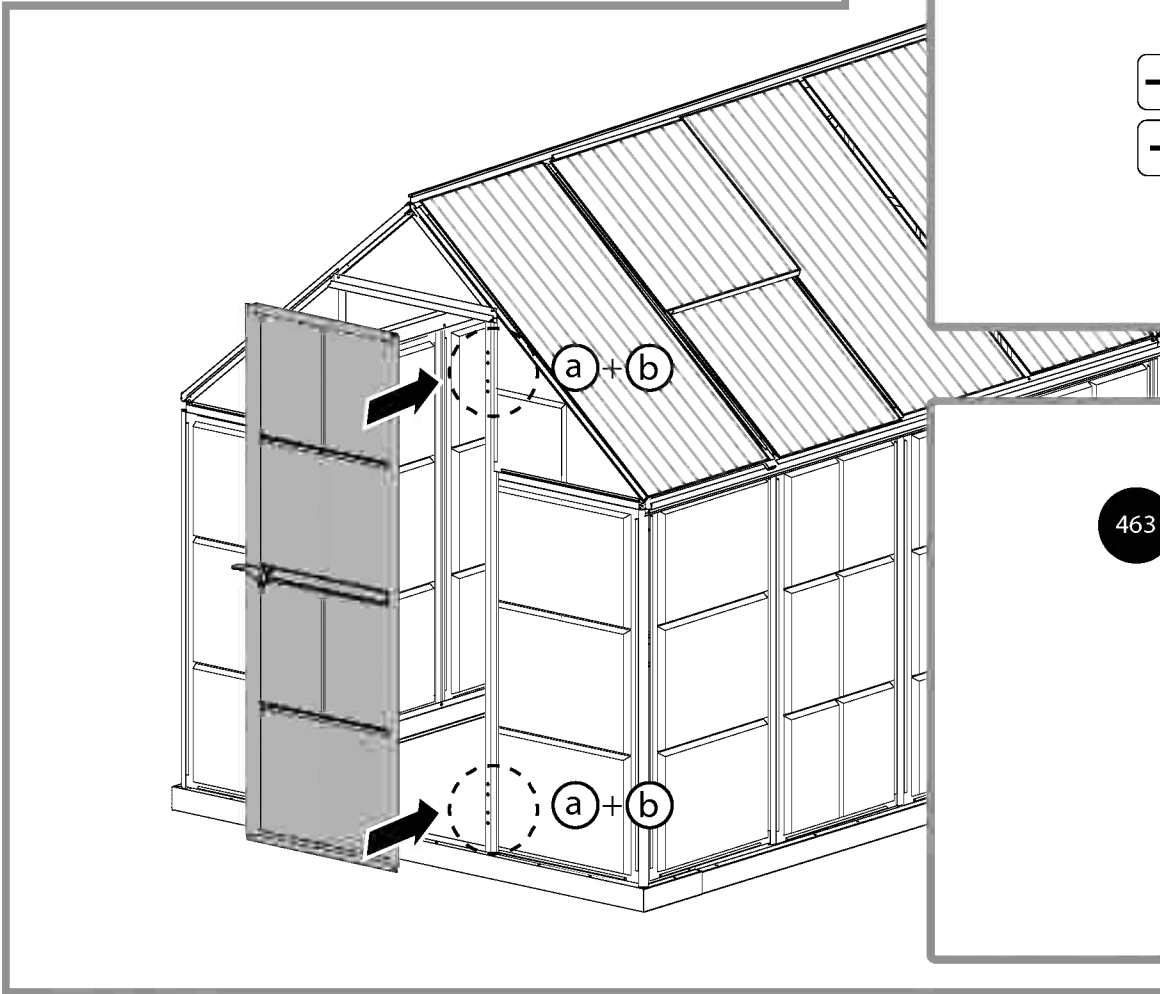
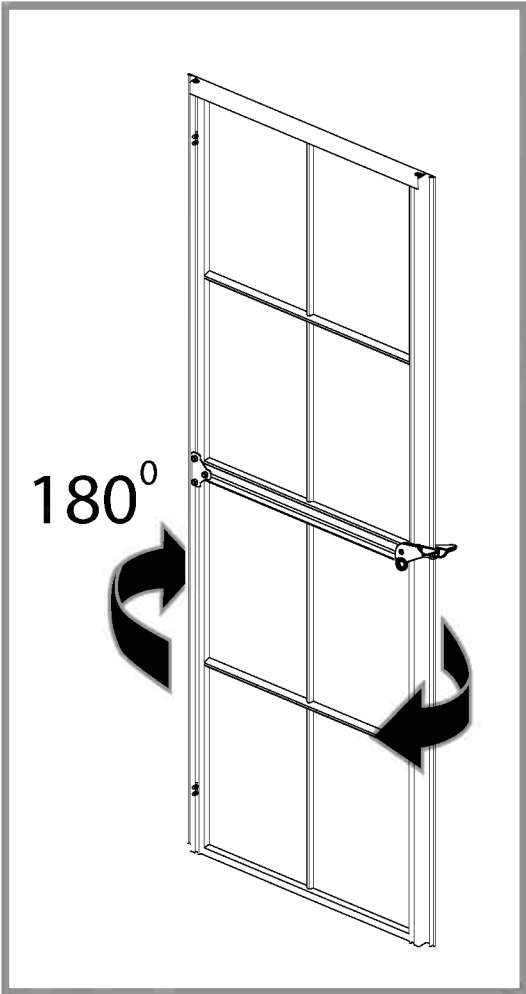
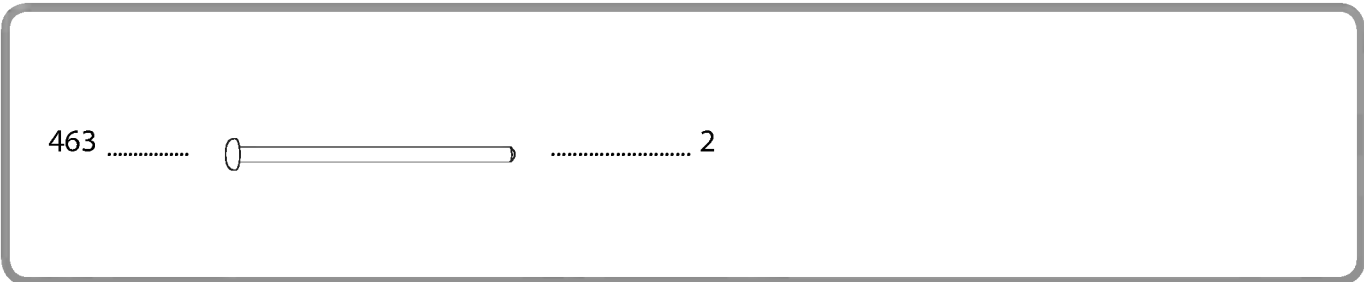
4037 1

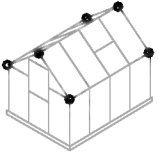


4008 2

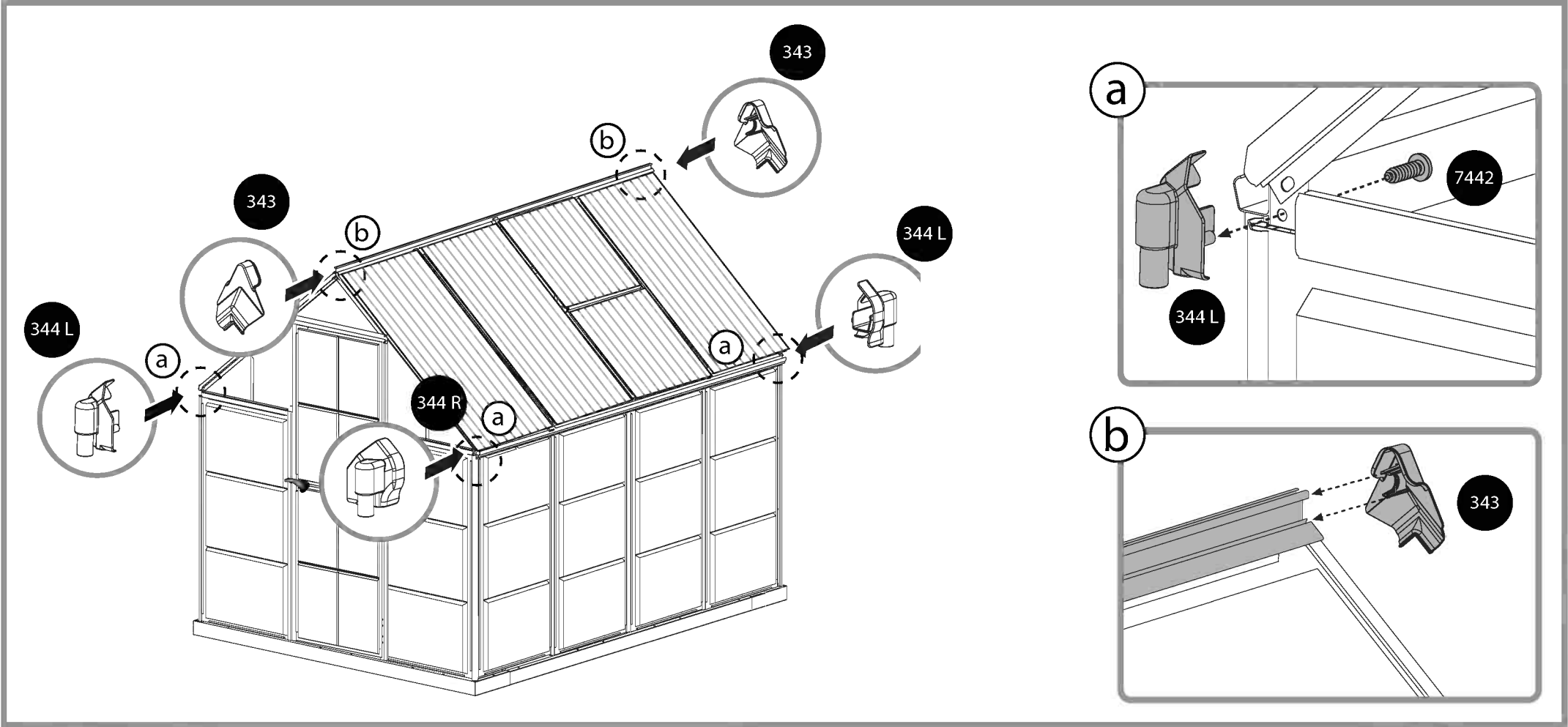








344 L 2 344 R 2 343 2 7442 4



Palram's 5 years Limited Warranty

Product Details: Greenhouses

Palram Applications (1995) Ltd (Company number: 512106824) whose registered office is at Teradion Industrial Park, M.P Misgav 20174, Israel ("Palram") warrants that the product will be free from defects in material or workmanship for a period of 5 years from the original date of purchase subject to the definitions, terms and conditions contained in this warranty.

1. Conditions

- 1.1 This warranty shall be valid only if the product is installed, cleaned, handled and maintained in accordance with Palram's written recommendations.
- 1.2 Without derogating from the above, damage caused by use of force, incorrect handling, inappropriate use, neglectful use or assembly or maintenance, accidents, impact from foreign objects, vandalism, pollutants, alteration, painting, connecting, gluing, sealing not in accordance with the user's manual, or damage resulting from cleaning with incompatible detergents and minor deviations of the product are not covered by this warranty.
- 1.3 This warranty does not apply to damage resulting from "force majeure", which includes but is not limited to, hail, storm, tornado, hurricane, blizzard, flood, fire effects.
- 1.4 This warranty is void if structural parts and components used are not compatible with Palram's written recommendations.
- 1.5 This Warranty applies only to the original purchaser of the product. It does not extend to any other purchaser or user of the product (including, but not limited to, any person who acquires the product from the original purchaser).

2. Claims and Notifications

- 2.1 Every warranty claim must be notified in writing to Palram within 30 days after the discovery of the defective product, enclosing the original sales receipt and this warranty.
- 2.2 The claimant must allow Palram to inspect the product involved and the installation site itself while the product is still in its original position and has not been removed or moved or altered in any way and/or return the product to Palram for testing.
- 2.3 Palram reserves the right to investigate independently the cause of any failure.

3. Compensation

- 3.1 If a claim under this Warranty is properly notified and approved by Palram, the purchaser, at Palram's option, may either (a) purchase a replacement product or part/s; or (b) receive refund of the original product or part/s purchase price, all in accordance with the following schedule:

Period After Purchasing	Replacement Product or Part/s	Refund
From date of purchase up to end of 1 st year	Free of charge	100%
End of 1 st Year up to end of 2 nd year	purchaser will pay 20% of the original purchase price	80%
End of 2 nd year up to end of 3 rd year	purchaser will pay 40% of the original purchase price	60%
End of 3 rd year up to end of 4 th year	purchaser will pay 60% of the original purchase price	40%
End of 4 th year up to end of 5 th year	purchaser will pay 80% of the original purchase price	20%

- 3.2 For avoidance of any doubt, calculation for determination regarding compensation for defective part/s, according to the schedule above, will be based on the contribution of the defective part to the original cost of the product. Palram reserves the right to provide substitutions if the product or any part of it is unavailable or obsolete.
- 3.3 This warranty does not cover any costs and expenses of removal and installation of the product or taxes or shipping cost or any other direct or indirect loss(es) which may result from the product failure.

4. General Conditions and Limitations

- 4.1 OTHER THAN HAS BEEN SPECIFICALLY STATED IN THIS WARRANTY, ALL OTHER WARRANTIES, WHETHER EXPRESS OR IMPLIED, INCLUDING ALL IMPLIED WARRANTIES OF MERCHANTABILITY OR FITNESS FOR A PARTICULAR PURPOSE ARE EXCLUDED SO FAR AS THE LAW PERMITS.
- 4.2 EXCEPT WHERE WE HAVE SPECIFICALLY STATED IN THIS WARRANTY, PALRAM SHALL NOT BE LIABLE FOR ANY LOSSES OR DAMAGES THE PURCHASER SUFFERS DIRECTLY, INDIRECTLY, OR AS A CONSEQUENCE OF USING, OR IN ANY OTHER WAY CONNECTED TO THE PRODUCT.
- 4.3 IF PALRAM IS PROHIBITED UNDER ANY APPLICABLE LAW FROM EXCLUDING THE IMPLIED WARRANTIES OF MERCHANTABILITY OR FITNESS FOR A PARTICULAR PURPOSE IN RELATION TO THE PRODUCT, THE DURATION OF ALL SUCH IMPLIED WARRANTIES IS EXPRESSLY LIMITED TO THE DURATION OF THIS WARRANTY OR, IF LONGER, THE MAXIMUM PERIOD REQUIRED BY APPLICABLE LAW.
- 4.4 THE PURCHASER IS SOLELY RESPONSIBLE FOR DETERMINING WHETHER THE HANDLING, STORAGE, ASSEMBLY, INSTALLATION OR USE OF THE PRODUCT IS SAFE AND APPROPRIATE IN ANY LOCATION, FOR ANY GIVEN APPLICATION OR IN ANY GIVEN CIRCUMSTANCE. PALRAM IS NOT RESPONSIBLE FOR ANY DAMAGES OR INJURY TO THE PURCHASER, ANY OTHER PERSON OR ANY PROPERTY RESULTING FROM THE IMPROPER HANDLING, STORAGE, INSTALLATION, ASSEMBLY OR USE OF THE PRODUCT OR THE FAILURE TO FOLLOW THE WRITTEN INSTRUCTIONS REGARDING THE HANDLING, STORAGE, INSTALLATION, ASSEMBLY AND USE OF THE PRODUCT.
- 4.5 UNLESS OTHERWISE EXPRESSLY INDICATED BY PALRAM, THE PRODUCT IS INTENDED FOR NORMAL RESIDENTIAL AND COMMERCIAL USE ONLY. PALRAM IS NOT RESPONSIBLE FOR ANY LOSS, DAMAGE, COST OR EXPENSE RESULTING FROM ANY USE OF THE PRODUCT FOR ANY PURPOSE THAT IS NOT RECOMMENDED BY THE WRITTEN INSTRUCTIONS OR THAT IS NOT PERMITTED BY ANY APPLICABLE LEGISLATION OR OTHER CODES IN EFFECT IN THE LOCATION WHERE THE PURCHASER WILL USE THE PRODUCT.
- 4.6 **PLEASE NOTE:** ANCHORING THIS PRODUCT TO THE GROUND IS ESSENTIAL TO ITS STABILITY AND RIGIDITY. IT IS REQUIRED TO COMPLETE THIS STAGE IN ORDER FOR YOUR WARRANTY TO BE VALID.

EN

5 Jahre beschränkte Garantie von Palram

Angaben zum Produkt: Gewächshäuser

Palram Applications (1995) Ltd (Firmennummer:512106824) mit Sitz in Teradion Industrial Park, M.P Misgav 20174, Israel („Palram“) garantiert, dass das Produkt für einen Zeitraum von 5 Jahren ab dem Kaufdatum frei von Mängeln in Material und Verarbeitung wird, und den Definitionen, Begriffen und Bedingungen die in dieser Garantie enthalten sind unterliegt.

1. Bedingungen

- 1.1 Diese Garantie ist nur gültig, wenn das Produkt in Übereinstimmung mit den schriftlichen Empfehlungen von Palram installiert, gereinigt, behandelt und gepflegt ist.
- 1.2 Ohne Abweichung von oben genannten, Schäden, die durch Anwendung von Gewalt, unsachgemäße Behandlung, unsachgemäße Verwendung, nachlässige Nutzung, Montage oder Wartung, Unfälle, Auswirkungen von Fremdkörpern, Vandalismus, Verschmutzung, Veränderung, Malerei, Verbinden, Kleben und Dichten, nicht in Übereinstimmung mit der Bedienungsanleitung, verursacht werden, oder Schäden, die bei Reinigung mit inkompatiblen Reinigungsmitteln entstehen, so wie geringfügige Abweichungen des Produkts, werden durch diese Garantie nicht abgedeckt.
- 1.3 Diese Garantie gilt nicht für Schäden, die durch „höhere Gewalt“ verursacht werden (beinhaltend aber nicht beschränkt auf: Hagel, Sturm, Tornado, Hurrikan, Schneesturm, Überschwemmungen, Feuer Auswirkungen).
- 1.4 Diese Garantie erlischt, falls Bauteile und Komponente, die nicht mit den schriftlichen Empfehlungen von Palram kompatibel sind, verwendet werden.
- 1.5 Diese Garantie gilt ausschließlich für den ursprünglichen Käufer des Produkts. Sie erweitert sich nicht auf keine anderen Käufer oder Benutzer des Produkts (einschließlich, aber nicht beschränkt auf irgendeine andere Person die das Produkt von den ursprünglichen Käufer erwirbt).

2. Ansprüche und Mitteilungen

- 2.1 Jeder Gewährleistungsanspruch muss Palram innerhalb von 30 Tagen nach Entdeckung des fehlerhaften Produkts schriftlich vorgelegt werden. Hierzu reichen Sie bitte auch den Original-Kaufbeleg und diese Garantie mit ein.
- 2.2 Der Antragsteller muss Palram erlauben den betroffenen Produkt und den Aufstellungsort selbst zu überprüfen, während das Produkt noch in seiner ursprünglichen Position ist und nicht entfernt oder verschoben oder in irgendeiner Weise verändert wurde, und/oder den Produkt an Palram zum Testen zu senden.
- 2.3 Palram behält sich das Recht vor die Fehlerursachen unabhängig zu untersuchen.

3. Entschädigung

- 3.1 Ist ein Anspruch gemäß dieser Garantie ordnungsgemäß angemeldet und bei Palram genehmigt worden, kann der Käufer, nach eigenem Ermessen von Palram, entweder (a) ein Ersatzprodukt oder Teil/e erwerben; oder (b) eine Erstattung des ursprünglichen Produkt oder Teil/e Kaufpreises erhalten, alles in Übereinstimmung mit dem folgendem Schema:

Zeitraum nach Erwerbung	Ersatzprodukt bzw. Ersatzteil/e	Rückerstattung
Ab Kaufdatum bis zum Ende des 1. Jahr	Kostenlos	100%
Ende des 1. Jahr bis zum Ende des 2. Jahr	Käufer zahlt 20% des ursprünglichen Kaufpreises	80%
Ende des 2. Jahr bis zum Ende des 3. Jahr	Käufer zahlt 40% des ursprünglichen Kaufpreises	60%
Ende des 3. Jahr bis zum Ende des 4. Jahr	Käufer zahlt 60% des ursprünglichen Kaufpreises	40%
Ende des 4. Jahr bis zum Ende des 5. Jahr	Käufer zahlt 80% des ursprünglichen Kaufpreises	20%

- 3.2 Um jegliche Zweifel auszuschließen, wird sich die Berechnung für die Bestimmung über Entschädigungen für defekte Teil/e, entsprechend der obigen Schema, auf dem Beitrag des defekten Teils an den ursprünglichen Kosten des Produktes beruhen. Palram behält sich das Recht vor für ein Ersatz zu sorgen, falls der Produkt oder ein Teil davon nicht verfügbar oder veraltet ist.
- 3.3 Diese Garantie erstreckt sich nicht auf Kosten und Ausgaben für Aus- und Einbau des Produkts oder Steuern oder Versandkosten oder sonstige direkte oder indirekte Verlust/e die sich von einem Produktfehler ergeben können.

4. Allgemeine Bedingungen und Einschränkungen

- 4.1 ANDERS ALS BESONDERS IN DIESER GARANTIE ANGEGBEN, ALLE ANDEREN GARANTIE, OB AUSDRÜCKLICH ODER IMPLIZIT, EINSCHLIESSLICH ALLER EINGESCHLOSSENEN GARANTIELEISTUNGEN DER MARKTGÄNGIGKEIT ODER EIGNUNG FÜR EINEN BESTIMMTEN ZWECK SIND SO WEIT DIES RECHTLICH MÖGLICH IST AUSGESCHLOSSEN.
- 4.2 AUSSER ALS AUSDRÜCKLICH IN DIESER GARANTIE ANGEGBEN, HAFTET PALRAM NICHT FÜR IRGENDWELCHE VERLUSTE ODER SCHÄDEN DIE DER KÄUFER, DIREKT ODER INDIREKT ODER ALS FOLGE DER NUTZUNG ODER IN IRGENDWELCHEN ANDEREN MIT DEM PRODUKT VERBUNDENEN WEISE LEIDET.
- 4.3 FALLS PALRAM EIN AUSSCHLUSS DER STILLSCHWEIGENDEN GARANTIE DER MARKTGÄNGIGKEIT ODER EIGNUNG FÜR EINEN BESTIMMTEN ZWECK IN BEZUG AUF DAS PRODUKT NACH GELTENDEM RECHT NICHT GESTATET IST, WIRD DIE DAUER ALLER SOLCHEN GARANTIE AUSDRÜCKLICH AUF DIE DAUER DIESER GARANTIE BESCHRÄNKT, ODER FALLS LÄNGER, AUF DIE GESETZLICH VORGESCHRIEBENE HÖCHSTDAUER.
- 4.4 DER KÄUFER IST ALLEIN DAFÜR VERANTWORTLICH FESTZUSTELLEN, OB DIE HANDHABUNG, LAGERUNG, MONTAGE, INSTALLATION ODER VERWENDUNG DES PRODUKTS AN BELIEBIGEN STANDORT UND FÜR JEDE GEGEBENE ANWENDUNG ODER SITUATION, SICHER UND ANGEMESSEN IST. PALRAM IST NICHT VERANTWORTLICH FÜR SCHÄDEN ODER VERLETZUNGEN DES KÄUFERS, ANDERER PERSONEN ODER DES EIGENTUMS, DIE IN FOLGE EINER UNSACHGEMÄSSEN HANDHABUNG, LAGERUNG, EINBAU, MONTAGE ODER NUTZUNG DES PRODUKTS ODER DURCH NICHTBEACHTUNG DER ANWEISUNGEN ZUR HANDHABUNG, LAGERUNG, EINBAU, MONTAGE UND NUTZUNG DES PRODUKTES ENTSTANDEN SIND.
- 4.5 DIE WARE IST BESTIMMT AUSSCHLIESSLICH ZUR NORMALEN PERSÖNLICHEN UND KOMMERZIELLEN NUTZUNG, SOFERN NICHT AUSDRÜCKLICH ETWAS ANDERES DURCH PALRAM VEREINBART WURDE. PALRAM HAFTET NICHT FÜR VERLUSTE, SCHÄDEN, KOSTEN ODER AUSGABEN, DIE AUS EINER NICHT VON DEN ANWEISUNGEN EMPFOHLENEN VERWENDUNG DES PRODUKTS ZU IRGENDNEM ZWECK ENTSTEHEN ODER DIE VON KEINEM GELTENDEN RECHTSVORSCHRIFTEN ODER ANDEREN CODES ERLAUBT SIND DIE AN DEM ORT WO DER KÄUFER DEN PRODUKT BENUTZEN WIRD IN KRAFT SIND.
- 4.6 DIE VERANKERUNG DIESES PRODUKTS IM UNTERGRUND IST WESENTLICH FÜR SEINE STABILITÄT UND FESTIGKEIT. SIE IST UNABBLASSLICH, UMN DIESEN ARBEITSSCHRITT ZU BEENDEN, DAMIT IHRE GARANTIE GÜLTIG BLEIBT.

DE

Garantie limitée à 5 ans de Palram

FR

Détails du produit: Serres

Palram Applications (1995) Ltd (Compagnie n° 512106824) dont le siège social est adressé au Parc Industriel Teradion, M.P. Misgav 2017400, Israël ("Palram") garantit que le Produit n'a aucun défaut de matériel ou de manufacture pour une période de 5 ans à dater de la date d'acquisition, conformément aux définitions et conditions incluses dans cette garantie.

I. Garanties légales

1. Garantie de défaut caché

- 1.1 Conformément à l'article 1641 du Code Civil, l'acheteur est en droit de mettre en œuvre la garantie pour vice caché dans un délai de 2 ans au plus tard à compter de la découverte du défaut.
- 1.2 Afin de bénéficier de cette garantie contre les défauts cachés, l'acheteur doit fournir (i) une preuve d'achat, (ii) la preuve que le défaut du produit était caché et existant au moment de l'achat du produit, et (iii) qu'un tel défaut rend le produit impropre à l'usage auquel il est destiné ou qu'il altère tellement l'utilisation du produit que l'acheteur ne l'aurait pas acheté, ou aurait seulement payé un prix moindre pour cela, aurait il/ elle connu de tels défauts.
- 1.3 Conformément à l'article 1644 du Code civil, l'acheteur a le choix entre retourner le produit aux frais de Palram et se faire rembourser le prix, ou garder le produit et se faire rembourser une partie du prix.

2. Garantie de conformité

- 1.1 En application des articles L.217-4 et suivants, du Code de la consommation, le produit doit, au moment de la livraison, être conforme au contrat. Toute réclamation relative à un défaut de conformité du produit doit être présentée dans un délai de deux ans au plus tard à compter de la livraison du produit.
- 1.2 Afin de bénéficier de cette garantie de conformité, l'acheteur doit fournir une preuve d'achat.
- 1.3 En application de l'article L. 217-9 du Code de la consommation, en cas de défaut de conformité du produit, l'acheteur peut choisir entre la réparation et le remplacement du produit. Palram peut néanmoins choisir de ne pas procéder conformément au choix de l'acheteur si ce choix entraîne un coût manifestement disproportionné par rapport à l'autre option, compte tenu de la valeur du produit ou de la gravité du défaut. Palram procéderait alors avec l'option non choisie par l'acheteur, à moins que cela s'avère impossible.
- 1.5 Si aucune réparation ou remplacement du produit n'est possible, l'acheteur peut retourner le produit et obtenir le remboursement du prix ou garder le produit et obtenir le remboursement d'une partie du prix. La même option s'appliquerait également (i) si la solution demandée, proposée ou convenue conformément à l'article 1.3 ne peut être mise en œuvre dans le mois suivant la demande de l'acheteur, ou (ii) si cette solution ne peut être mise en œuvre sans inconvénient majeur pour l'acheteur compte tenu de la nature du produit et de son usage prévu. La vente ne sera toutefois pas annulée si le défaut de conformité est mineur.

Ces garanties légales s'appliquent quelle que soit la garantie commerciale définie ci-dessous.

II. Garantie commerciale

1. Conditions

- 1.1 Cette garantie ne sera valide que si le produit est installé, nettoyé, manipulé et entretenu conformément aux recommandations écrites de Palram.
- 1.2 Sans déroger de ce qui est susdit, tout dommage causé par usage de la force, une mauvaise manipulation, un usage inapproprié, une utilisation, un montage ou une maintenance négligente, des accidents, un impact avec d'autres objets étrangers, du vandalisme, des polluants, un dégât, une peinture, connexion, collage, scellage qui n'est pas conforme avec le manuel de l'utilisateur ou tout dommage résultant de son nettoyage avec un détergent incompatible et les moindres déviations du produit ne sont pas couverts par cette garantie.
- 1.3 Cette garantie ne s'applique pas aux dommages résultant d'un acte de force majeure, qui comprend mais n'est pas limité par la grêle, la tempête, une tornade, un ouragan, un blizzard, une inondation ou les effets d'un incendie.
- 1.4 Cette garantie est nulle si des parties de la structure et des composants ne sont pas compatibles avec les recommandations écrites par Palram.
- 1.5 Cette garantie ne s'applique qu'à l'acheteur d'origine du produit. Elle ne s'étend pas à tout autre acquéreur ou utilisateur du produit (y compris mais non limité à toute personne qui acquerrait le produit de son acquéreur d'origine).

2. Réclamations et notifications

- 2.1 Toute réclamation de garantie (autre que les garanties légales énoncées dans la section I. ci-dessus) doit être notifiée par écrit à Palram dans les 30 jours suivant la découverte du produit défectueux, en joignant le reçu original et cette garantie.
- 2.2 Le demandeur doit permettre à Palram d'inspecter le produit impliqué et le site d'installation lorsque le produit est dans son emplacement d'origine et n'a pas été enlevé ou déplacé ni modifié de quelque façon et/ou envoyer le produit à Palram pour vérification (les taxes et frais de ports n'étant pas à la charge du client).
- 2.3 Palram se réserve le droit d'enquêter indépendamment sur la cause de toute panne.

3. Compensation

- 3.1 Si une réclamation sous cette Garantie est convenablement notifiée et approuvée par Palram, l'acheteur, au choix de Palram, peut soit
(a) acquérir un Produit de remplacement ou les pièces détachées nécessaires; ou (b) recevoir un remboursement du prix d'achat du Produit d'origine:

Période depuis l'achat	Produit de remplacement ou partie	Remboursement
Jusqu'à un an après l'achat	Gratuit	100%
De la fin de la 1 ^{ère} année à la fin de la 2 ^{ème}	L'acquéreur paiera 20% du prix d'achat d'origine	80%
De la fin de la 2 ^{ème} année à la fin de la 3 ^{ème}	L'acquéreur paiera 40% du prix d'achat d'origine	60%
De la fin de la 3 ^{ème} année à la fin de la 4 ^{ème}	L'acquéreur paiera 60% du prix d'achat d'origine	40%
De la fin de la 4 ^{ème} année à la fin de la 5 ^{ème}	L'acquéreur paiera 80% du prix d'achat d'origine	20%

4. Conditions générales et limitations

- 4.1 MIS A PART CE QUI A ETE SPECIFIQUEMENT INDIQUE DANS CETTE GARANTIE, TOUTES LES AUTRES GARANTIES, EXPRESSES OU SOUS-ENTENDUES, Y COMPRIS TOUTES LES GARANTIES SOUS-ENTENDUES DE VALEUR MARCHANDE OU D'ADAPTABILITE POUR UN OBJECTIF PARTICULIER SONT EXCLUES POUR AUTANT QUE LA LOI LE PERMET.
- 4.2 MIS A PART LA OU NOUS L'AVONS SPECIFIQUEMENT DECLARE DANS CETTE GARANTIE, PALRAM N'EST PAS RESPONSABLE DE TOUTE PERTE OU DOMMAGE DONT L'ACQUEREUR SOUFFRIRAIT, DIRECTEMENT, INDIRECTEMENT OU EN CONSEQUENCE DE L'UTILISATION DU PRODUIT OU DE TOUTE AUTRE MANIERE LIEE AU PRODUIT.
- 4.3 SI PALRAM N'A PAS LE DROIT SELON LA MOINDRE LOI APPLICABLE D'EXCLURE LES GARANTIES SOUS-ENTENDUES DE VALEUR MARCHANDE OU D'ADAPTABILITE A UNE FIN SPECIFIQUE EN RAPPORT AVEC LE PRODUIT, LA DUREE D'UNE TELLE GARANTIE EST EXPRESSEMENT LIMITEE A CELLE DE CETTE GARANTIE OU, SI ELLE EST PLUS LONGUE, A LA PERIODE MAXIMALE EXIGEE PAR LA LOI.
- 4.4 L'ACHETEUR EST LE SEUL RESPONSABLE DANS LA DETERMINATION SI LA MANIPULATION, LE STOCKAGE, LE MONTAGE, L'INSTALLATION OU L'UTILISATION DU PRODUIT EST SURE ET APPROPRIEE POUR TOUT ENDROIT, POUR TOUTE APPLICATION DONNEE OU DANS TOUTE CIRCONSTANCE DONNEE. PALRAM N'EST PAS RESPONSABLE DE TOUT DOMMAGE OU BLESSURE CAUSE A L'ACHETEUR, TOUTE AUTRE PERSONNE OU BIEN RESULTANT D'UNE MANIPULATION, UN STOCKAGE, UNE INSTALLATION, UN MONTAGE OU UNE UTILISATION DU PRODUIT OU UN MANQUE A SUIVRE LES INSTRUCTIONS ECRITES CONCERNANT LA MANIPULATION, LE STOCKAGE, LE MONTAGE, L'INSTALLATION OU L'UTILISATION DU PRODUIT.
- 4.5 SAUF DISPOSITION CONTRAIRE EXPRESSÉMENT INDIQUÉE PAR PALRAM, LE PRODUIT EST DESTINÉ UNIQUEMENT À DES USAGES RÉSIDENIELS ET COMMERCIAUX NORMAUX. PALRAM N'EST PAS RESPONSABLE DE TOUTE PERTE, DOMMAGE, FRAIS OU DEPENSE RESULTANT D'UNE UTILISATION DU PRODUIT POUR TOUTE FIN QUI N'EST PAS RECOMMANDÉE PAR LES INSTRUCTIONS ECRITES OU QUI N'EST PAS PERMISE PAR LA MOINDRE LOI OU AUTRES CODES APPLICABLES DANS L'ENDROIT OU L'ACQUEREUR UTILISERAIT LE PRODUIT.
- 4.6 CETTE ETAPE D'ANCRAGE DU PRODUIT AU SOL EST ESSENTIELLE A SA STABILITE ET A SA RIGIDITE, ELLE EST DE PLUS NECESSAIRE POUR ASSURER LA VALIDITE DE VOTRE GARANTIE.

FR

5 letá omezená záruka Palram

Detaily produktu: Skleník

Palram Applications (1995) Ltd (Společnost číslo: 512106824), jejíž registrační kancelář je na adrese Teradion Industrial Park, M.P Misgav 20174000, Izrael („Palram“), zaručuje, že Produkt nebude mít žádné vady materiálu nebo řemeslného zpracování po dobu 5 let od data původního nákupu. Toto podléhá definicím, podmínkám a ujednáním obsaženým v této záruce.

1. Podmínky

- 1.1 Tato záruka bude platit, pouze pokud se Produkt instaluje, čistí, ovládá a udržuje v souladu s písemnými doporučeními společnosti Palram.
- 1.2 Bez ohledu na výše uvedené tato záruka nekryje poškození způsobená silou, nesprávnou manipulací, nepříslušným používáním, nedbalým používáním, montáží nebo údržbou, nehodami, vlivem cizích objektů, vandalismem, znečišťujícími látkami, změnami, malováním, spojením, splením, utěsněním, které nejsou v souladu s uživatelskou příručkou, poškození následkem čistění nekompatibilními čisticími prostředky, ani menší odchylky Produktu.
- 1.3 Tato záruka nekryje poškození způsobená „vyšší mocí“, která mimo jiné zahrnují krupobití, bouři, tornádo, hurikán, sněhovou bouři, záplavy a účinky ohně.
- 1.4 Tato záruka je neplatná, pokud nejsou konstrukční části a komponenty používány v souladu s písemnými doporučeními společnosti Palram.
- 1.5 Tato záruka platí pouze pro původního kupujícího Produktu. Neprodlužuje se na žádného jiného kupujícího nebo uživatele Produktu (včetně, ale ne pouze na jakoukoliv osobu, která získá Produkt od původního kupujícího).

2. Požadavky a oznámení

- 2.1 Každý záruční požadavek musí být společnosti Palram oznámen písemně do 30 dní od zjištění vadného Produktu a musí mít příložený doklad o nákupu a tuto záruku.
- 2.2 Žadatel musí umožnit společnosti Palram kontrolu souvisejícího Produktu a vlastního místa instalace, dokud je Produkt stále ve své původní poloze a nebyl odstraněn ani žádným způsobem změněn, a/nebo vrácení Produktu společnosti Palram na testování.
- 2.3 Společnost Palram si vyhrazuje právo nezávisle prošetřit příčinu jakéhokoliv selhání.

3. Kompenzace

- 3.1 Pokud je požadavek podle této Záruky správně oznámen a schválen společností Palram, pak může kupující podle výběru společnosti Palram buď (a) koupit náhradní Produkt nebo část/části; nebo (b) obdržet vrácení peněz původní ceny Produktu nebo částí/částí, vše v souladu s následujícím rozvrhem:

Období po nákupu	Výměna produktu nebo části/částí	Vrácení peněz
Od data nákupu do konce 1. roku	Zdarma	100%
Od konce 1. roku do konce 2. roku	kupující zaplatí 20 % procent původní ceny	80%
Od konce 2. roku do konce 3. roku	kupující zaplatí 40 % původní ceny	60%
Od konce 3. roku do konce 4. roku	kupující zaplatí 60 % původní ceny	40%
Od konce 4. roku do konce 5. roku	kupující zaplatí 80 % původní ceny	20%

- 3.2 Výpočet pro rozhodnutí ohledně kompenzace za vadnou část / vadné části bude kvůli zamezení jakýmkoliv pochybnostem v souladu s výše uvedeným rozvrhem založen na příspěvi vadné části k původní ceně Produktu. Společnost Palram si vyhrazuje právo na poskytnutí náhrad, pokud Produkt nebo jakákoliv část nejsou dostupné, nebo jsou zastaralé.
- 3.3 Tato záruka nekryje žádné náklady ani výdaje s odstraněním a instalací Produktu ani dané nebo náklady na dopravu nebo jinou přímou nebo nepřímou ztrátu / jiné přímé nebo nepřímé ztráty, které mohou nastat následkem selhání Produktu.
4. **Všeobecné podmínky a omezení**
- 4.1 KROMÉ TOHO, CO JE SPECIFICKY UVEDENO V TĚTO ZÁRUCE, JSOU VŠECHNY OSTATNÍ ZÁRUKY, AT UŽ VYJÁDRĚNÉ NEBO NAZNAČENÉ VČETNĚ VŠECH NEPŘÍMO VYJÁDRĚNÝCH ZÁRUK PRODEJNOSTI NEBO VHODNOSTI PRO URČITÝ ÚČEL VYLOUČENY V MAXIMÁLNÍM ROZSAHU POVOLENÉM ZÁKONEM.
- 4.2 KROMÉ PŘÍPADŮ, KTERÉ JSME SPECIFICKY UVEDLI V TĚTO ZÁRUCE, NEMŮŽE BÝT SPOLEČNOST PALRAM ZODPOVĚDNÁ ZA ŽÁDNÉ ZTRÁTY ANI POŠKOZENÍ, KTERÉ KUPUJÍCÍ UTŘPÍ PŘÍMO, NEPŘÍMO NEBO NÁSLEDKEM POUŽÍVÁNÍ PRODUKTU NEBO JINÝM ZPŮSOBEM SOUVISEJÍCÍM S PRODUKTEM.
- 4.3 POKUD MÁ SPOLEČNOST PALRAM PODLE JAKÉHOKOLIV PŘÍSLUŠNÉHO ZÁKONA ZAKÁZANO VYLOUČIT NEPŘÍMO VYJÁDRĚNÉ ZÁRUKY PRODEJNOSTI NEBO VHODNOSTI PRO SPECIFICKÝ ÚČEL V SOUVISLOSTI S PRODUKTEM, PAK JE DOBA TRVÁNÍ VŠECH TĚCHTO NEPŘÍMO VYJÁDRĚNÝCH ZÁRUK VÝSLOVNĚ OMEZENA NA DOBU TRVÁNÍ TĚTO ZÁRUKY NEBO MAXIMÁLNÍ DOBU VYZADOVANOU PŘÍSLUŠNÝM ZÁKONEM, POKUD JE TATO DOBA DELŠÍ.
- 4.4 KUPUJÍCÍ JE VÝHRADNĚ ZODPOVĚDNÝ ZA ROZHODNUTÍ, ZDA JE MANIPULACE, USKLADNĚNÍ, MONTÁŽ, INSTALACE NEBO POUŽÍVÁNÍ PRODUKTU BEZPEČNĚ A VHODNĚ V JAKÉMKOLIV UMÍSTĚNÍ PRO JAKÉKOLIV DANÉ POUŽITÍ NEBO DANÉ OKOLNOSTI. SPOLEČNOST PALRAM NENÍ ZODPOVĚDNÁ ZA ŽÁDNÉ ZTRÁTY ANI ZRANĚNÍ KUPUJÍCÍHO NEBO JINÉ OSOBY ČI MAJETKU NÁSLEDKEM NESPRÁVNÉ MANIPULACE, USKLADNĚNÍ, INSTALACE, MONTÁŽE NEBO POUŽÍVÁNÍ PRODUKTU, NEBO NEDODRŽENÍM PÍSEMNÝCH POKYNŮ OHLEDNĚ MANIPULACE, USKLADNĚNÍ, INSTALACE, MONTÁŽE A POUŽÍVÁNÍ PRODUKTU.
- 4.5 POKUD SPOLEČNOST PALRAM VÝSLOVNĚ NEUVEDE JINAK, JE VÝROBEK URČEN POUZE PRO BEŽNÉ DOMÁCÍ A KOMERČNÍ ÚČELY SPOLEČNOST PALRAM NENÍ ZODPOVĚDNÁ ZA ŽÁDNÉ ZTRÁTY, POŠKOZENÍ ANI NÁKLADY NÁSLEDKEM POUŽÍVÁNÍ PRODUKTU PRO JAKÝKOLIV ÚČEL, KTERÝ NENÍ DOPORUČENÝ PÍSEMNÝMI POKYNY, NEBO KTERÝ NENÍ POVOLNÝ ŽÁDNOU PŘÍSLUŠNOU LEGISLATIVOU ANI JINOU SBÍRKOOU ZÁKONŮ PLATNÝMI V UMÍSTĚNÍ, KDE BUDE KUPUJÍCÍ PRODUKT POUŽÍVAT.
- 4.6 UKOTVENÍ TOHOTO PRODUKTU K ZEMĚ JE NEZBYTNÉ PRO JEHO STABILITU A PEVNOST. ABY BYLA VASE ZARUKA PLATNA, JE NUTNĚ DOKONTIT TENTO KROK.



Palrams 5 års Begrænset Garanti

Produktdetaljer: Drivhuse

Palram Applications (1995) Ltd. (Virksomhedsregistreringsnummer: 512106824), registreret på adressen Teradion Industrial Park, M.P Misgav 20174, Israel ("Palram"), garanterer at Produktet ikke lider af materialefejl eller fabriktionsfejl i en periode på 5 år fra købsdatoen, underlagt definitionerne og vilkårene indeholdt i denne garanti.

1. Vilkår

- 1.1 Denne garanti er kun gældende, hvis Produktet er installeret, rengjort, håndteret og vedligeholdt i overensstemmelse med Palrams skrevne anbefalinger.
- 1.2 Uden at afvige fra det ovennævnte, er skade opstået grundet brug af fysisk magt, ukorrekt håndtering, upassende brug, forsømmeligt brug, samling eller vedligeholdelse, uheld, indvirken fra fremmedlegemer, vandalisme, forurenende stoffer, ændringer, maling, tilslutning, limning, forsejling, der ikke er i overensstemmelse med brugsvejledningen, eller skade som resultat af rengøring med ikke-kompatible rengøringsmidler og mindre afvigelser ved Produktet ikke dækket af denne garanti.
- 1.3 Denne garanti dækker ikke skade som resultat af "naturens handling", hvilket omfatter, men er ikke begrænset til hagl, storm, tornadoer, orkaner, snestorme, oversvømmelse, følger af brand.
- 1.4 Denne garanti er ugyldig, hvis der benyttes konstruktionsdele og løse dele, der ikke er kompatible med Palrams skrevne anbefalinger.
- 1.5 Denne garanti er kun gældende for Produktets oprindelige køber. Den omfatter ikke andre købere eller brugere af Produktet (inklusiv, men ikke begrænset til, enhver person der erhverver Produktet fra den oprindelige køber).

2. Krav og Bekendtgørelser

- 2.1 Ethvert garantikrav skal bekendtgøres skriftligt til Palgram inden for 30 dage, efter opdagelsen af det defekte Produkt, og vedlægges den originale kvittering og denne garanti.
- 2.2 Skadesanmelderen skal lade Palram undersøge Produktet, der er tale om, og selve installationen, mens Produktet stadig befinder sig i sin oprindelige position og ikke er blevet fjernet eller flyttet eller ændret på nogen måde, og/eller lade produktet sende tilbage til Palram for afprøvning.
- 2.3 Palram forbeholder sig retten til selvstændigt at undersøge årsagen til dette funktionssvigt.

3. Erstatning

- 3.1 Hvis et krav i henhold til denne garanti bekendtgøres korrekt og godkendes af Palram, kan køberen, efter Palrams valg, (a) købe et erstatningsprodukt eller del/e, eller (b) modtage refundering for det oprindelige Produkts eller del/es købspris, alt i henhold til den følgende oversigt:

Periode Efter Køb	Erstatningsprodukt eller Del/e	Refundering
Fra købsdato til udgangen af 1. år	Uden beregning	100%
Udgangen af 1. år til udgangen af 2. år	køber vil betale 20 % af den oprindelige købspris	80%
Udgangen af 2. år til udgangen af 3. år	køber vil betale 40 % af den oprindelige købspris	60%
Udgangen af 3. år til udgangen af 4. år	køber vil betale 60 % af den oprindelige købspris	40%
Udgangen af 4. år til udgangen af 5. år	køber vil betale 80 % af den oprindelige købspris	20%

- 3.2 For at undgå tvivl vil beregning for bestemmelse af erstatning for defekt(e) del/e, i henhold til oversigten ovenfor, blive baseret på den defekte dels dækning i forhold til Produktets oprindelige pris. Palram forbeholder sig retten til at levere erstatninger, hvis Produktet, eller nogen del af dette, er utilgængeligt eller forældet.
- 3.3 Denne garanti dækker ikke omkostninger eller udgifter ved fjernelse og installation af Produktet, eller afgifter, eller forsendelsesomkostninger, eller nogen direkte eller indirekte tab, der kan opstå grundet Produktfejl,

4. Almindelige Betingelser og Begrænsninger

- 4.1 UD OVER HVAD DER ER BLEVET SPECIFIKT ANFØRT I DENNE GARANTI, ER ALLE ANDRE GARANTIER, OM UDTRYKT ELLER UNDERFORSTÅET, OMFATTENDE ALLE UNDERFORSTÅEDE GARANTIER VEDRØRENDE SALGBARHED ELLER EGNETHED TIL ET SPECIFIKT FORMÅL UNDTAGET FOR SÅ VIDT LOVEN TILLADER
- 4.2 MED UNDTAGELSE AF, HVORVI HAR SPECIFIKT ANFØRT DET I DENNE GARANTI, ER PALRAM IKKE ANSVARLIG FOR NOGEN TAB ELLER SKADER, SOM KØBEREN LIDER DIREKTE, INDIREKTE, ELLER SOM EN FØLGE AF BRUG, ELLER PÅ NOGEN ANDEN MÅDE FORBINDELSE TIL PRODUKTET.
- 4.3 HVIS PALRAM UDELUKKES FRA, I HENHOLD TIL ENHVER GÆLDENDE LOV, AT UNDTAGE DEN UNDERFORSTÅEDE SALGBARHEDS ELLER EGNETHEDSGARANTI FOR ET SPECIFIKT FORMÅL I FORHOLD TIL PRODUKTET, ER VARIGHEDEN AF ALLE SÅDANNE UNDERFORSTÅEDE GARANTIER UDTRYKkelig BEGRÆNSET TIL VARIGHEDEN AF DENNE GARANTI, ELLER, HVIS LÆNGERE, DEN MAKSIMALE PERIODE KRÆVET AF GÆLDENDE LOVGIVNING.
- 4.4 KØBEREN ER ENEANSVARLIG FOR AT BESLUTTE OM HÅNDBTERINGEN, OPBEVARINGEN, SAMLINGEN, INSTALLATIONEN ELLER BRUGEN AF PRODUKTET ER SIKKERT OG PASSENDE PÅ ETHVERT OMRÅDE, TIL ENHVER APPLIKATION ELLER UNDER ETHVERT GIVENT FORHOLD. PALRAM ER IKKE ANSVARLIG FOR NOGEN SKADER ELLER KVESTELSER KØBER, ENHVER ANDEN PERSON, ELLER ENJENDOM MÅTTE LIDE, SOM RESULTAT AF UKORREKT HÅNDBTERING, OPBEVARING, INSTALLATION, SAMLING ELLER BRUG AF PRODUKTET ELLER UNDLADELSE AF AT FØLGE DE SKREVNE ANBEFALINGER VEDRØRENDE HÅNDBTERING, OPBEVARING, INSTALLATION, SAMLING OG BRUG AF PRODUKTET.
- 4.5 MEDMINDRE ANDET UDTRYKkelig ER ANGIVET AF PALRAM, PRÆPARATET ER BEREGNET TIL ALMINDELIG BRUG I HJEMMET OG KOMMERCIEL BRUG. PALRAM ER IKKE ANSVARLIG FOR TAB, SKADE, OMKOSTNINGER ELLER UDGIFFTER SOM RESULTAT AF NOGEN BRUG AF PRODUKTET TIL NOGET, DER IKKE ER ANBEFALET I DE SKREVNE ANBEFALINGER, ELLER IKKE ER TILLADT I HENHOLD TIL NOGEN GÆLDENDE LOVGIVNING ELLER ANDRE GÆLDENDE REGLER PÅ DET STED, HVOR KØBER VIL BRUGE PRODUKTET.
- 4.6 FORANKRING AF DETTE PRODUKT TIL JORDEN ER AFGØRENDE FOR DETS STABILITET OG STYRKE. FOR AT SIKRE GYLDIGHEDEN AF DIN GARANTI, KRIVES DET, AT DU GENNEMFORER DETTE TRIN.



5-ročná obmedzená záruka Palram

SK

Podrobnosti o produkte: Skleníky

Palram Applications (1995) Ltd (číslo spoločnosti: 512106824), ktorej sídlo je v priemyselnom parku Teradion, M.P Misgav 20174000, Izrael (ďalej len „Palram“) poskytuje záruku, že výrobok bude bez chýb materiálu a vyhotovenia po 5 troch rokov od pôvodného dátumu nákupu, na ktorý sa vzťahujú definície a podmienky obsiahnuté v tejto záruke.

1. Podmienky

- 1.1 Táto záruka je platná iba v prípade, že bol výrobok nainštalovaný, čistený a udržiavaný v súlade s písomnými odporúčaniami spoločnosti Palram a ak sa s ním v súlade s ním aj zaobchádza.
- 1.2 Ďalej sa táto záruka nevzťahuje ani na škody spôsobené použitím sily, nesprávnym zaobchádzaním, nevhodným použitím, nedbalým používaním, montážou alebo údržbou, nehodami, nárazom cudzích predmetov, vandalizmom, znečisťujúcimi látkami, úpravami, náterom, spájaním, lepením a tesnením, ktoré nie je v súlade s návodom, alebo poškodenie v dôsledku čistenia pomocou nevhodných čistiacich prostriedkov a drobné odchýlky vo výrobku, a to ani pri splnení vyššie uvedených podmienok.
- 1.3 Táto záruka sa nevzťahuje na škody vzniknuté v dôsledku zásahu „vyššej moci“, napríklad v dôsledku krupobitia, víchrice, tornáda, hurikánu, snehovej búrky, povodne či požiaru.
- 1.4 Táto záruka neplatí, pokiaľ boli použité konštrukčné diely a komponenty, ktoré nie sú v súlade s písomnými odporúčaniami spoločnosti Palram.
- 1.5 Táto záruka sa vzťahuje len na pôvodného kupujúceho výrobku. Záruka sa nevzťahuje na žiadneho iného kupujúceho alebo používateľa výrobku (vrátane akejkoľvek ďalšej osoby, ktorá získala výrobok od pôvodného kupujúceho)..

2. Reklamácia a oznámenie

- 2.1 Každá reklamácia musí byť oznámená písomne spoločnosti Palram do 30 dní po zistení vady na výrobku. K oznámeniu musí byť priložený originálny doklad o zakúpení a táto záruka.
- 2.2 Žiadateľ musí umožniť spoločnosti Palram prehliadku výrobku a samotné miesto inštalácie s výrobkom vo svojej pôvodnej polohe, z ktorej nebol výrobok odstránený, presunutý alebo akýmkoľvek iným spôsobom zmenený a/alebo vrátiť daný výrobok spoločnosti Palram za účelom prehliadky.
- 2.3 Spoločnosť Palram si vyhradzuje právo nezávisle vyšetriť príčiny akéhokoľvek zlyhania.

3. Náhrada

- 3.1 Ak je reklamácia v rámci tejto záruky riadne oznámená a potvrdená spoločnosťou Palram, kupujúci si môže podľa uváženia spoločnosti Palram, buď
 - (a) zakúpiť náhradný výrobok alebo diel/-y; alebo
 - (b) dostať náhradu za pôvodný výrobok alebo jeho časť/časti kúpnej ceny, vždy podľa nasledujúceho postupu:

Obdobie po zakúpení	Náhradný produkt alebo diel/-y	Výška náhrady
Od dátumu nákupu až do konca prvého roka	Bezplatne	100%
Koniec 1. roka až do konca 2. roka	kupujúci zaplatí 20% z pôvodnej kúpnej ceny	80%
Koniec 2. roka až do konca 3. roka	kupujúci zaplatí 40% z pôvodnej kúpnej ceny	60%
Koniec 3. roka až do konca 4. roka	kupujúci zaplatí 60% z pôvodnej kúpnej ceny	40%
Koniec 4. roka až do konca 5. roka	kupujúci zaplatí 80% z pôvodnej kúpnej ceny	20%

- 3.2 Pre vylúčenie pochybnosti bude výpočet týkajúci sa náhrady chybné časti/-i podľa uvedeného postupu vychádzať z pomeru chybné časti k pôvodnej obstarávacej cene výrobku. Spoločnosť Palram si vyhradzuje právo poskytnúť náhradu v prípade, že nie je výrobok či jeho časť k dispozícii alebo sa už viac nepoužíva.
- 3.3 Táto záruka sa nevzťahuje na žiadne náklady či výdavky na demontáž a montáž výrobku, dane, prepravné náklady alebo akékoľvek iné priame alebo nepriame výdaje, ktoré môžu byť dôsledkom vady výrobku.
4. **Všeobecné podmienky a obmedzenia**
 - 4.1 ZÁRUKY INÉ AKO VÝSLOVNÉ TU UVEDENÉ, VŠETKY OSTATNÉ ZÁRUKY, VÝSLOVNÉ ALEBO ODVODENÉ, VRÁTANE VŠETKÝCH ODVODENÝCH ZÁRUK PREDAJNOSTI ALEBO VHDNOSTI NA KONKRÉTNY ÚČEL SÚ VYLÚČENÉ, AK TO ZÁKON UMOŽŇUJE.
 - 4.2 OKREM VÝSLOVNE UVEDENÉHO V TOTO ZÁRUKU, SPOLOČNOSŤ PALRAM NENESIE ZODPOVEDNOSŤ ZA ŽIADNE STRATY ALEBO ŠKODY, KTORÉ KUPUJÚCI UTRPÍ PRIAMO ALEBO NEPRIAMO, ČI V DÔSLEDKU POUŽÍVANIA VÝROBKU ALEBO AKÝMKOLVEK INÝM SPÔSOBOM VZŤAHUJÚCIM SA K VÝROBKU.
 - 4.3 AK NEMÔŽE SPOLOČNOSŤ PALRAM PODĽA PRÍSLUŠNÝCH PRÁVNÝCH PREDPISOV VYLÚČIŤ DANÚ ZÁRUKU OBCHODOVATELNOSTI ALEBO VHDNOSTI NA KONKRÉTNY ÚČEL VO VZŤAHU K VÝROBKU, TRVANIE VŠETKÝCH TAKÝCH ZÁRUK JE VÝSLOVNE OBMEDZENÉ NA DOBU TOTO ZÁRUKU, PRÍPADNE AK SÚ DLHŠIE, TAK NA MAXIMÁLNU DOBU POŽADOVANÚ PRÁVOM.
 - 4.4 KUPUJÚCI JE VÝHRADNE ZODPOVEDNÝ ZA URČENIE, ČI JE MANIPULÁCIA, SKLADOVANIE, MONTÁŽ, INŠTALÁCIA, ALEBO POUŽITIE PRÍPRAVKU BEZPEČNÉ A VHDNÉ V DANOM MIESTE, PRE DANÉ POUŽITIE ALEBO ZA URČITÝCH OKOLNOSTÍ. SPOLOČNOSŤ PALRAM NENESIE ŽIADNU ZODPOVEDNOSŤ ZA ŠKODU ALEBO ZA ZRANENIE KUPUJÚCEHO, AKEJKOLVEK INEJ OSOBY ALEBO MAJETKU V DÔSLEDKU NEPRIMERANÉHO ZAOBCHÁDZANIA, SKLADOVANIA, INŠTALÁCIE, MONTÁŽE, POUŽITIA VÝROBKU ALEBO ZA NEDODRŽANIE PÍSOMNÝCH POKYNOV TÝKAJÚCICH SA MANIPULÁCIE, SKLADOVANIA, INŠTALÁCIE, MONTÁŽE A POUŽÍVANIA VÝROBKU.
 - 4.5 TENTO VÝROBK JE URČENÝ IBA NA BEŽNÉ DOMÁCE A OBCHODNÉ POUŽITIE, POKIAĽ TO SPOLOČNOSŤ PALRAM VÝSLOVNE NEUVÁDZA INAK. SPOLOČNOSŤ PALRAM NENESIE ZODPOVEDNOSŤ ZA STRATU, ŠKODU, NÁKLADY ČI VÝDAVKY PLYNÚCE Z AKÉHOKOLVEK POUŽITIA TOHTO VÝROBK, BEZ OHLADU NA JEHO ÚČEL, POKIAĽ NIE JE ODPORÚČANÝ V PÍSOMNÝCH POKYNOCH ALEBO NIE JE DOVOLENÝ PODĽA PLATNÝCH PRÁVNÝCH PREDPISOV ČI AKÝMKOLVEK INÝMI PRÁVNIMI PREDPISMI PLATNÝMI V MIESTE, KDE KUPUJÚCI DANÝ VÝROBK POUŽÍVA.
 - 4.6 NA VEDOMIE: UKOTVENIE TOHTO VÝROBKU NA ZEM, JE POTREBNÉ PRE JEHO STABILITU A TUHOSŤ.VYIADUJE SA NA DOKONTENIE TOTO FKY, ABY PLATILA ZÁRUKA.

Certificat de garanție Palram cu o durată determinată de 5 ani

RO

Detalii produs: Sere

Palram Applications (1995) Ltd (Număr de înregistrare: 512106824), cu sediul social în Teradion Industrial Park, M.P Misgav 20174000, Israel („Palram“) garantează că Produsul nu prezintă defecte de material sau de fabricație pentru o perioadă de 5 ani de la data cumpărării, cu respectarea definițiilor și a termenilor și condițiilor din prezentul certificat de garanție.

1. Condiții

- 1.1 Prezentul certificat de garanție este valabil doar dacă Produsul a fost instalat, curățat, manipulat și întreținut în conformitate cu recomandările scrise ale Palram.
- 1.2 Fără a deroga de la cele de mai sus, daunele cauzate de folosirea forței în exces, de manipularea incorectă, utilizarea necorespunzătoare, respectiv de utilizarea, montarea sau întreținerea neglijente, accidentele, impactul cu obiecte străine, vandalizmul, materiile poluante, alterarea, vopsirea, conectarea, lipirea, etanșarea care nu au fost efectuate în conformitate cu manualul de utilizare, respectiv daunele rezultate din curățarea cu detergenți nepotrivii și deviațiile minore ale Produsului nu sunt acoperite de prezentul certificat de garanție.
- 1.3 Acest certificat de garanție nu acoperă daunele rezultate din situații de forță majoră, care includ, dar nu se limitează la, grindină, furtună, tornadă, uragan, viscol, inundație, foc.
- 1.4 Acest certificat de garanție este nul dacă piesele și componentele structurale utilizate nu sunt compatibile cu recomandările scrise ale Palram.
- 1.5 Acest certificat de garanție este acordat exclusiv cumpărătorului inițial al Produsului. Nu se extinde asupra niciunui alt cumpărător sau utilizator subsecvent al Produsului (inclusiv, dar fără a se limita la, orice persoană care preia Produsul de la cumpărătorul inițial).

2. Solicitări și notificări

- 2.1 Orice solicitare efectuată în baza prezentului certificat de garanție trebuie notificată în scris companiei Palram în termen de 30 de zile de la descoperirea Produsului defect și trebuie să includă și bonul fiscal original și prezentul certificat de garanție.
- 2.2 Cel care face solicitarea trebuie să permită companiei Palram să verifice Produsul în cauză și locul montării sale cât timp Produsul se află încă în poziția sa originală și înainte de a fi demontat sau modificat în vreun fel și/sau să permită returnarea Produsului la Palram pentru efectuarea de teste.
- 2.3 Palram își rezervă dreptul de a cerceta în mod independent cauza oricărei defecțiuni.

3. Despăgubiri

- 3.1 Dacă o solicitare efectuată în baza prezentului certificat de garanție este notificată în mod corect și aprobată de Palram, cumpărătorul, la alegerea Palram, poate fie (a) cumpăra un Produs sau o piesă/piese de înlocuire; fie (b) primi înapoi prețul original al Produsului sau al piesei/pieselor, ambele variante cu respectarea următorului calendar:

Perioadă după data cumpărării	Produs sau piesă/piese de înlocuire	Rambursare
De la data cumpărării până la finalul 1 an	Gratuit	100%
De la finalul 1 an până la finalul celui de-al 2 an	cumpărătorul va plăti 20% din prețul original plătit	80%
De la finalul 2 an până la finalul celui de-al 3 an	cumpărătorul va plăti 40% din prețul original plătit	60%
De la finalul 3 an până la finalul celui de-al 4 an	cumpărătorul va plăti 60% din prețul original plătit	40%
De la finalul 4 an până la finalul celui de-al 5 an	cumpărătorul va plăti 80% din prețul original plătit	20%

- 3.2 Pentru a înlătura orice fel de dubii, calculul pentru a stabili cuantumul despăgubirilor pentru piesa/piesele defectă(e), în conformitate cu calendarul de mai sus, va porni de la procentul valoric al piesei defecte în prețul original al Produsului. Palram își rezervă dreptul de a furniza înlocuitori dacă Produsul sau orice piesă a acestuia nu mai sunt disponibile sau nu se mai fabrică.
- 3.3 Acest certificat de garanție nu acoperă costurile sau cheltuielile generate de demontarea sau montarea Produsului, respectiv taxele sau costurile generate de livrare sau de orice alte pierderi directe sau indirecte care ar putea rezulta ca urmare a defectării Produsului.

4. Condiții și limitări de ordin general

- 4.1 CU EXCEPȚIA SITUAȚIILOR MENȚIONATE EXPRES ÎN PREZENTUL CERTIFICAT DE GARANȚIE, TOATE CELELALTE GARANȚII, EXPRES PREVĂZUTE SAU IMPLICITE, INCLUSIV TOATE GARANȚIILE COMERCIALE IMPLICITE SAU FAPTUL DE A FI POTRIVIT PENTRU UN ANUMIT SCOP SUNT EXCLUSE ÎN MĂSURA MAXIM PERMISĂ DE LEGE.
- 4.2 CU EXCEPȚIA SITUAȚIILOR MENȚIONATE EXPRES ÎN PREZENTUL CERTIFICAT DE GARANȚIE, PALRAM NU VA FI RESPONSABILĂ PENTRU NICIO PIERDERE SAU DAUNĂ SUFERITĂ DE CUMPĂRĂTOR ÎN MOD DIRECT, INDIRECT SAU CA O CONSECINȚĂ A UTILIZĂRII SAU ÎN LEGĂTURĂ, ÎN ORICE ALT MOD, CU PRODUSUL.
- 4.3 ÎN CAZUL ÎN CARE PALRAM NU ARE DREPTUL, ÎN CONFORMITATE CU ORICE REGLEMENTARE APLICABILĂ, SĂ EXCLUDĂ GARANȚIILE COMERCIALE IMPLICITE SAU FAPTUL DE A FI POTRIVIT PENTRU UN ANUMIT SCOP CU PRIVIRE LA PRODUS, DURATA VALABILITĂȚII ORICĂROR ASTFEL DE GARANȚII IMPLICITE ESTE LIMITATĂ ÎN MOD EXPRES LA DURATA PREZENTULUI CERTIFICAT DE GARANȚIE SAU, ÎN CAZUL ÎN CARE ESTE MAI MARE, LA DURATA MAXIMĂ IMPUSĂ DE REGLEMENTĂRILE APLICABILE.
- 4.4 CUMPĂRĂTORUL ESTE SINGURUL RESPONSABIL PENTRU A STABILII DACĂ MANIPULAREA, DEPOZITAREA, MONTAJUL, INSTALAREA SAU UTILIZAREA PRODUSULUI SUNT SIGURE ȘI POTRIVITE PENTRU ORICE LOC, PENTRU ORICE APLICAȚIE ȘI ÎN ORICE SITUAȚIE. PALRAM NU ESTE RESPONSABILĂ PENTRU NICIO DAUNĂ SAU RĂNIRE SUFERITĂ DE CUMPĂRĂTOR, DE ORICE ALTĂ PERSOANĂ SAU BUN CE REZULTĂ DIN MANIPULAREA, DEPOZITAREA, MONTAJUL, INSTALAREA SAU UTILIZAREA NECORESUNZĂTOARE A PRODUSULUI SAU DIN NERESPECTAREA INSTRUCȚIUNILOR SCRISE CU PRIVIRE LA MANIPULAREA, DEPOZITAREA, MONTAJUL, INSTALAREA SAU UTILIZAREA PRODUSULUI.
- 4.5 CU EXCEPȚIA UNEI INDICAȚII CONTRARE EXPRES DE LA PARTEA PALRAM, PRODUSUL ESTE DESTINAT NUMAI UTILIZĂRII NORMALE CASNICE ȘI COMERCIALE. PALRAM NU ESTE RESPONSABILĂ PENTRU NICIO PIERDERE, DAUNĂ, COSTURI SAU CHELTUIELI CE REZULTĂ DIN UTILIZAREA PRODUSULUI ÎN ORICE ALT SCOP, ALTUL DECÂT CEL RECOMANDAT ÎN INSTRUCȚIUNILE SCRISE SAU CARE NU ESTE PERMIS DE ORICE REGLEMENTĂRI APLICABILE SAU ALTE CĂDURI ÎN VIGOARE ÎN LOCUL ÎN CARE CUMPĂRĂTORUL VA FOLOSI PRODUSUL.
- 4.6 ANCORAREA ACESTUI PRODUS DE SOT ESTE ESENȚIALĂ PENTRU STABILITATEA ȘI RIGIDITATEA LUI. ESTE NECESAR SA DUCETI LA BUN SFARSIT ACEST PAS PENTRU CA GARANTIA DVS. SA FIE VALABILĂ.

Begränsningar i Palrams 5-års garanti

Egenskaper: Växthus

Palram Applications (1995) Ltd (Bolagsnummer: 512106824) vars registrerade huvudkontor har adressen: Teradion Industrial Park, M.P Misgav 20174, Israel ("Palram") garanterar att produkten är felfri avseende material och bearbetning under en period av 5 år från inköpsdagen i enlighet med definitionerna och villkoren i denna garanti.

1. Villkor

- 1.1 Denna garanti gäller endast produkter som installerats, skötts, underhållits och hållits rena enligt anvisningarna i Palrams handbok.
- 1.2 Övan nämnda garanti gäller inte vid skador till följd av alltför kraftig användning, fel eller olämplig användning, vårdslös installering, vårdslöst bruk eller underhåll, missöden, skador som främmande föremål gett upphov till, skadegörelse, smuts, förändringar, målning, fogar, limning, tejpnjning, olämpliga tätningar eller skador som uppkommit på grund av olämpliga rengöringsmedel. Små avvikelser omfattas inte av garantin.
- 1.3 Garantin täcker inte naturfenomen eller skador orsakade av dessa, såsom hagel, tung snö, storm, virvelvindar, orkaner, blixnar, vind eller översvämningar.
- 1.4 Garantin gäller inte om man för växhuset använder olämpliga byggsatser eller komponenter som inte rekommenderas av tillverkaren (Palram).
- 1.5 Garantin gäller endast den ursprungliga köparen/mottagaren. Garantin kan inte överföras till följande ägare eller en annan användare. taikka seuraaville omistajille.

2. Reklamationer och anmälningar

- 2.1 Varje garantianspråk måste underrättas skriftligen till Palram inom 30 dagar efter upptäckten av en defekt produkt, innehållande originalkvittot för försäljningen och den här garantin.
- 2.2 Käranden (den som gjort reklamationen) ska låta tillverkaren/tillverkarens företrädare granska den felaktiga produkten på produktens ursprungliga plats i det skick som den är efter skadan. Produkten får inte ändras, repareras, flyttas eller skickas till tillverkaren/företrädaren innan tillstånd för detta har getts.
- 2.3 Tillverkaren (Palram) förbehåller sig rätten att självständigt undersöka orsaken till felet.
3. Ersättning
- 3.1 När reklamationen har anmälts enligt villkoren i garantin och godkänts av Palram har köparen (käranden) rätt att få nya delar eller en ny produkt eller en ersättning som står i proportion till skadan och anskaffningspriset enligt följande tabell:

Tid sedan anskaffning	Ersättande produkt/del	Ersättning
1 år sedan anskaffning	Utan avgift	100%
1 => 2 år sedan anskaffning	Självrisk andel 20 %	80%
2 => 3 år sedan anskaffning	Självrisk andel 40 %	60%
3 => 4 år sedan anskaffning	Självrisk andel 60 %	40%
4 => 5 år sedan anskaffning	Självrisk andel 80 %	20%

- 3.2 För att undvika alla misstankar, felkalkyleringar eller missförstånd vad gäller ersättning, beräknas den i tabellen framställda ersättningen alltid enligt den andel som den felaktiga/skadade delen utgör av hela produktens anskaffningspris. Tillverkaren förbehåller sig rätten att leverera en ersättande produkt/produkt del om originaldelar inte längre är tillgängliga eller om delarna eller produkterna är föråldrade.
- 3.3 Garantin ersätter inte utgifter som orsakats av installering, nedmontering, flyttning eller reparation av produkten och inte heller utgifter som orsakats av direkta eller indirekta utgifter och förluster för att produkten haft fel eller skador, t.ex. skatter, flyttningsavgifter, leverans- och sändningsavgifter.

4. Allmänna villkor och begränsningar

- 4.1 UTÖVER VAD SOM UTTRYCKLIGEN NÄMNS I DENNA GARANTI ÄR ALLA ÖVRIGA GARANTIERS ALLMÄNT BINDANDE VERKAN DIREKT ELLER INDIREKT GÄLLANDE ALLMÄN ELLER SÄRSKILD TILLÄMPNING UTESLUTNA INOM LAGENS RAMAR.
- 4.2 MED UNDANTAG AV VAD SOM NÄMNS I DESSA GARANTIVILLKOR, ANSVARAR TILLVERKAREN INTE FÖR DE FÖRLUSTER ELLER SKADOR SOM KÖPAREN ELLER ANVÄNDAREN AV PRODUKTEN DIREKT ELLER INDIREKT ELLER TILL FÖLJD AV ANVÄNDNINGEN AV ELLER KONTAKTEN MED PRODUKTEN DRABBAS AV.
- 4.3 OM TILLVERKAREN ENLIGT LOKAL LAGSTIFTNING ELLER UTFRÅN KONSUMENTSKYDDETS REKOMMENDATIONER NEKATS ATT INNEHÅLLA ERSÄTTNINGAR, TILLÄMPAS MED TANKE PÅ GARANTIER OM ALLMÄN ELLER SÄRSKILD TILLÄMPNING, GARANTIERNAS GILTIGHETSTID ENLIGT LOKAL LAGSTIFTNING PÅ PRODUKTEN.
- 4.4 KÖPAREN ÄR ENSAM ANSVARIG FÖR ATT PRODUKTEN HANTERAS, FÖRVARAS OCH MONTERAS ÄNDAMÅLSENLIGT SAMT FÖR ATT DEN PLACERAS PÅ ETT TRYGGT SÄTT. PALRAM ÄR INTE ANSVARIG FÖR NÅGRA MISSÖDEN ELLER SKADOR SOM ORSAKAS KÖPAREN, ANNAN PERSON ELLER PART ELLER DERAS EGENDOM OM DE BEROR PÅ ATT PRODUKTEN HANTERATS, FÖRVARATS, INSTALLERATS, MONTERATS PÅ FEL SÄTT ELLER PÅ GRUND AV ATT PRODUKTEN ANVÄNTS PÅ FEL SÄTT ELLER ATT ANVISNINGARNA INTE IAKTTAGITS.
- 4.5 OM INGET ANNAT UTTRYCKLIGEN HAR ANGIVITS AV PALRAM ÄR PRODUKTEN ENDAST AVSEDD FÖR NORMAL ANVÄNDNING I HEMMET OCH NORMAL KOMMERSELL ANVÄNDNING. OM ANVÄNDNINGEN AV PRODUKTEN ENLIGT LOKAL LAGSTIFTNING ELLER ANDRA BESTÄMMELSER PÅ DEN PLATS DÅR KÖPAREN ANVÄNDER PRODUKTEN INTE ÄR TILLÅTEN, ANSVARAR PALRAM INTE FÖR NÅGRA FÖRLUSTER, OLYCKSHÄNDELSER, KOSTNADER ELLER UTGIFTER SOM BEROR PÅ ATT PRODUKTEN ANVÄNTS PÅ FEL SÄTT, ÖBEROENDE AV FÖR VILKET ÄNDAMÅL PRODUKTEN ANVÄNTS.
- 4.6 FORANKRING AV DENNA PRODUKT PÅ MARKEN ÄR NOVNDVANDIGT FOR STABILITET OCH STYVHET. DET ÄR NOVNDVANDIGT ATT SLUTFORA DET HAR STEGET FOR ATT DIN GARANTI SKA GALLA.

SV

Περιορισμένη εγγύηση 5 ετών

Λεπτομέρειες: Θερμοκήπια

Η εταιρεία Palram Εφαρμογές (1995) Ltd (αριθμός Εταιρεία: 512106824), η έδρα της οποίας βρίσκεται στο Teradion Industrial Park, MP Misgav 20174, Ισραήλ ("Palram") εγγυάται ότι το προϊόν δεν θα είναι ελαττωματικά υλικά ή την εργασία για μια περίοδο 5 ετών από την αρχική ημερομηνία αγοράς και με την επιφύλαξη των ορισμών, τους όρους και τις προϋποθέσεις που εμπεριέχονται στην παρούσα εγγύηση.

1. Συνθήκες

- 1.1 Αυτή η εγγύηση ισχύει μόνο αν το Προϊόν εγκαθίσταται, καθαρίζεται, χρησιμοποιείται και συντηρείται σύμφωνα με τις γραπτές συστάσεις της Palram.
- 1.2 Χωρίς να παρεκκλίνουμε από τα παραπάνω, δεν καλύπτονται από αυτή την εγγύηση η ζημιά που προκαλείται από τη χρήση δύναμης, μη ορθό χειρισμό, ακατάλληλη χρήση, απρόσεκτη χρήση ή συναρμολόγηση ή συντήρηση, ατυχήματα, κρούση από ξένα σώματα, βανδαλισμό, ρύπους, αλλαγές, βαφή, σύνδεση, κόλληση, σφράγισμα που γίνεται χωρίς συμμόρφωση με το εγχειρίδιο χρήστη ή ζημιά που προκύπτει από καθαρισμό με μη συμβατά καθαριστικά και μικρές αποκλίσεις του Προϊόντος.
- 1.3 Η εγγύηση αυτή δεν εφαρμόζεται για ζημιές που προκύπτουν από "ανώτερη βία", οι οποίες περιλαμβάνουν αλλά δεν περιορίζονται σε, χαλάζι, καταγίδια, ανεμοστρόβιλο, θύελλα, χιονοθύελλες, πλημμύρα, αποτελέσματα πυρκαγιάς.
- 1.4 Η εγγύηση αυτή δεν ισχύει αν τα δομικά μέρη και τα συστατικά που χρησιμοποιούνται δεν είναι συμβατά με τις γραπτές συστάσεις της Palram
- 1.5 Η εγγύηση αυτή εφαρμόζεται μόνο για τον αρχικό αγοραστή του Προϊόντος. Δεν ισχύει για οποιονδήποτε άλλο αγοραστή ή χρήστη του Προϊόντος (συμπεριλαμβανομένων, αλλά όχι περιορισμένων, οποιοδήποτε ατόμων που αποκτήσουν το Προϊόν από τον αρχικό αγοραστή).
2. Αξιώσεις και Ειδοποιήσεις
- 2.1 Κάθε αίτηση αποζημίωσης λόγω εγγύησης θα πρέπει να αποσταλεί γραπτώς στην Palram εντός 30 ημερών από την ανακάλυψη του ελαττωματικού προϊόντος, επισυνάπτοντας την αρχική απόδειξη αγοράς καθώς και την παρούσα εγγύηση.
- 2.2 Ο αιτών πρέπει να επιτρέψει στην Palram να εξετάσει το εν λόγω Προϊόν και το σημείο της εγκατάστασης ενώ το Προϊόν βρίσκεται στην αρχική του θέση και δεν έχει μετακινηθεί ή αφαιρεθεί ή αλλαχθεί με οποιοδήποτε τρόπο ή/και να επιστρέψει το Προϊόν στην Palram για εξέταση.
- 2.3 Η Palram δεσμεύει το δικαίωμα να εξετάσει ανεξάρτητα την αιτία οποιουδήποτε προβλήματος.
3. Αποζημίωση
- 3.1 Αν μια αξίωση υπό αυτή την Εγγύηση ειδοποιηθεί ορθά και την εγκρίνει η Palram, ο αγοραστής, με την επιλογή της Palram, μπορεί είτε να (α) αγοράσει ένα Προϊόν ή μέρος/-ή ως αντικατάσταση ή (β) να λάβει αποζημίωση της τιμής του αρχικού Προϊόντος ή μέρος/-ή αυτής, όλα σύμφωνα με το ακόλουθο χρονοδιάγραμμα:

Περίοδος μετά από την αγορά	Προϊόν ή μέρος/-ή ως αντικατάσταση	Επιστροφή
Από την ημερομηνία αγοράς ως το τέλος του 1ου έτους	Χωρίς χρέωση	100%
Τέλος του 1ου έτους ως το τέλος του 2ου έτους	ο αγοραστής θα πληρώσει το 20% της αρχικής τιμής αγοράς	80%
Τέλος του 2ου έτους ως το τέλος του 3ου έτους	ο αγοραστής θα πληρώσει το 40% της αρχικής τιμής αγοράς	60%
Τέλος του 3ου έτους ως το τέλος του 4ου έτους	ο αγοραστής θα πληρώσει το 60% της αρχικής τιμής αγοράς	40%
Τέλος του 4ου έτους ως το τέλος του 5ου έτους	ο αγοραστής θα πληρώσει το 80% της αρχικής τιμής αγοράς	20%

- 3.2 Για να αποφευχθούν τυχόν απορίες, ο υπολογισμός για την αποζημίωση για τα ελαττωματικά μέρη, σύμφωνα με τον παραπάνω πίνακα, θα βασίζεται στο μερίδιο του ελαττωματικού μέρους σε σχέση με την αρχική τιμή του Προϊόντος. Η Palram δεσμεύει το δικαίωμα να παράσχει αντικαταστάσεις αν το Προϊόν ή οποιοδήποτε μέρος του δεν είναι διαθέσιμο ή αν δεν υπάρχει.
- 3.3 Η εγγύηση αυτή δεν καλύπτει οποιοδήποτε κόστος και έξοδα αφαίρεσης και εγκατάστασης του Προϊόντος ή φόρους ή έξοδα αποστολής ή οποιοσδήποτε άμεσος ή έμμεσος ζημίες οι οποίες προκύπτουν από μη λειτουργία του Προϊόντος.
4. Γενικές συνθήκες και περιορισμοί
- 4.1 ΕΚΤΟΣ ΑΠΟ ΟΣΑ ΕΧΟΥΝ ΑΝΑΦΕΡΘΕΙ ΕΙΔΙΚΑ ΣΕ ΑΥΤΗ ΤΗΝ ΕΓΓΥΗΣΗ, ΟΛΕΣ ΟΙ ΑΛΛΕΣ ΕΓΓΥΗΣΕΙΣ, ΕΙΤΕ ΡΗΤΕΣ Ή ΕΜΜΕΣΕΣ, ΣΥΜΠΕΡΙΛΑΜΒΑΝΟΜΕΝΩΝ ΟΛΩΝ ΤΩΝ ΕΜΜΕΣΩΝ ΕΓΓΥΗΣΕΩΝ ΕΜΠΟΡΙΣΜΟΤΗΤΑΣ Ή ΚΑΤΑΛΛΗΛΟΤΗΤΑΣ ΠΙΑ ΕΝΑ ΣΥΓΚΕΚΡΙΜΕΝΟ ΣΚΟΠΟ ΕΞΑΙΡΟΥΝΤΑΙ ΑΠΟ ΟΣΑ ΕΠΙΤΡΕΠΕΙ Ο ΝΟΜΟΣ.
- 4.2 ΕΚΤΟΣ ΑΠΟ ΠΕΡΙΠΤΩΣΕΙΣ ΠΟΥ ΕΧΟΥΜΕ ΑΝΑΦΕΡΕΙ ΡΗΤΑ ΣΕ ΑΥΤΗ ΤΗΝ ΕΓΓΥΗΣΗ, Η PALRAM ΔΕΝ ΕΙΝΑΙ ΥΠΕΥΘΥΝΗ ΓΙΑ ΟΠΟΙΟΣΔΗΠΟΤΕ ΑΠΩΛΕΙΣ Ή ΖΗΜΙΕΣ ΠΟΥ Ο ΑΓΟΡΑΣΤΗΣ ΜΠΟΡΕΙ ΝΑ ΔΕΧΘΕΙ ΑΜΕΣΑ, ΕΜΜΕΣΑ Ή ΩΣ ΣΥΝΕΠΕΙΑ ΤΗΣ ΧΡΗΣΗΣ, Ή ΣΥΝΔΕΟΜΕΝΕΣ ΜΕ ΟΠΟΙΟΔΗΠΟΤΕ ΤΡΟΠΟ ΜΕ ΤΟ ΠΡΟΪΟΝ.
- 4.3 ΑΝ Η PALRAM ΑΠΟΓΟΡΕΥΕΤΑΙ ΥΠΟ ΟΠΟΙΟΔΗΠΟΤΕ ΕΦΑΡΜΟΣΤΕΟ ΝΟΜΟ ΝΑ ΕΞΑΙΡΕΣΕΙ ΤΙΣ ΕΜΜΕΣΕΣ ΕΓΓΥΗΣΕΙΣ ΕΜΠΟΡΕΥΜΑΤΟΠΟΙΗΣΗΣ Ή ΚΑΤΑΛΛΗΛΟΤΗΤΑΣ ΠΙΑ ΕΝΑΝ ΣΥΓΚΕΚΡΙΜΕΝΟ ΣΚΟΠΟ ΣΕ ΣΧΕΣΗ ΜΕ ΤΟ ΠΡΟΪΟΝ, Η ΔΙΑΡΚΕΙΑ ΟΠΟΙΟΔΗΠΟΤΕ ΕΜΜΕΣΩΝ ΕΓΓΥΗΣΕΩΝ ΠΕΡΙΟΡΙΖΕΤΑΙ ΡΗΤΑ ΣΤΗ ΠΕΡΙΟΔΟ ΑΥΤΗΣ ΤΗΣ ΕΓΓΥΗΣΗΣ Ή, ΑΝ Η ΠΕΡΙΟΔΟΣ ΕΙΝΑΙ ΜΕΓΑΛΥΤΕΡΗ, ΣΤΗΝ ΜΕΓΙΣΤΗ ΠΕΡΙΟΔΟ ΠΟΥ ΑΠΑΙΤΕΙ Ο ΕΦΑΡΜΟΣΤΕΟΣ ΝΟΜΟΣ.
- 4.4 Ο ΑΓΟΡΑΣΤΗΣ ΕΙΝΑΙ Ο ΜΟΝΟΣ ΥΠΕΥΘΥΝΟΣ ΠΙΑ ΝΑ ΚΑΘΟΡΙΣΕΙ ΑΝ Η ΧΡΗΣΗ, ΑΠΟΘΗΚΕΥΣΗ, ΣΥΝΑΡΜΟΛΟΓΗΣΗ, ΕΓΚΑΤΑΣΤΑΣΗ Η ΧΡΗΣΗ ΤΟΥ ΠΡΟΪΟΝΤΟΣ ΕΙΝΑΙ ΑΣΦΑΛΗΣ ΚΑΙ ΚΑΤΑΛΛΗΛΗ ΠΙΑ ΟΠΟΙΟΔΗΠΟΤΕ ΤΟΠΟΘΕΣΙΑ, ΠΙΑ ΟΠΟΙΟΔΗΠΟΤΕ ΕΦΑΡΜΟΓΗ Η ΣΕ ΟΠΟΙΟΔΗΠΟΤΕ ΠΕΡΙΣΤΑΣΗ. Η PALRAM ΔΕΝ ΕΙΝΑΙ ΥΠΕΥΘΥΝΗ ΠΙΑ ΟΠΟΙΟΣΔΗΠΟΤΕ ΖΗΜΙΕΣ Ή ΤΡΑΥΜΑΤΙΣΜΟ ΣΤΟΝ ΑΓΟΡΑΣΤΗ, ΣΕ ΟΠΟΙΟΔΗΠΟΤΕ ΑΛΛΟ ΑΤΟΜΟ Η ΙΔΙΟΚΤΗΣΙΑ ΟΙ ΟΠΟΙΕΣ ΠΡΟΚΥΠΤΟΥΝ ΑΠΟ ΑΚΑΤΑΛΛΗΛΟ ΧΕΙΡΙΣΜΟ, ΑΠΟΘΗΚΕΥΣΗ, ΕΓΚΑΤΑΣΤΑΣΗ, ΣΥΝΑΡΜΟΛΟΓΗΣΗ Η ΧΡΗΣΗ ΤΟΥ ΠΡΟΪΟΝΤΟΣ Ή ΜΗ ΣΥΜΜΟΡΦΩΣΗ ΜΕ ΤΙΣ ΓΡΑΠΤΕΣ ΟΔΗΓΙΕΣ ΣΧΕΤΙΚΑ ΜΕ ΤΗΝ ΧΡΗΣΗ, ΑΠΟΘΗΚΕΥΣΗ ΣΥΝΑΡΜΟΛΟΓΗΣΗ, ΕΓΚΑΤΑΣΤΑΣΗ ΚΑΙ ΧΡΗΣΗ ΤΟΥ ΠΡΟΪΟΝΤΟΣ.
- 4.5 ΕΑΝ Η PALRAM ΔΕΝ ΔΗΛΩΝΕΙ ΡΗΤΑ ΤΟ ΑΝΤΙΘΕΤΟ, ΤΟ ΠΡΟΪΟΝ ΠΡΟΟΡΙΖΕΤΑΙ ΑΠΟΚΛΕΙΣΤΙΚΑ ΠΙΑ ΚΑΝΟΝΙΚΗ ΟΙΚΙΑΚΗ ΚΑΙ ΕΜΠΟΡΙΚΗ ΧΡΗΣΗ. Η PALRAM ΔΕΝ ΕΙΝΑΙ ΥΠΕΥΘΥΝΗ ΠΙΑ ΟΠΟΙΟΔΗΠΟΤΕ ΑΠΩΛΕΙΑ, ΖΗΜΙΑ, ΚΟΣΤΟΣ Ή ΕΞΟΔΑ ΠΟΥ ΠΡΟΚΥΠΤΟΥΝ ΑΠΟ ΟΠΟΙΟΔΗΠΟΤΕ ΧΡΗΣΗ ΤΟΥ ΠΡΟΪΟΝΤΟΣ ΠΙΑ ΟΠΟΙΟΔΗΠΟΤΕ ΑΛΛΟ ΣΚΟΠΟ ΠΟΥ ΔΕΝ ΣΥΣΤΗΝΕΤΑΙ ΑΠΟ ΓΡΑΠΤΕΣ ΟΔΗΓΙΕΣ Ή ΠΟΥ ΔΕΝ ΕΠΙΤΡΕΠΕΤΑΙ ΑΠΟ ΟΠΟΙΟΔΗΠΟΤΕ ΕΦΑΡΜΟΣΤΕΟΜΕΝΗ ΝΟΜΟΘΕΣΙΑ Η ΑΛΛΟΥΣ ΚΩΔΙΚΕΣ ΠΟΥ ΙΣΧΥΟΥΝ ΣΤΗΝ ΤΟΠΟΘΕΣΙΑ ΠΟΥ Ο ΑΓΟΡΑΣΤΗΣ ΘΑ ΧΡΗΣΙΜΟΠΟΙΗΣΕΙ ΤΟ ΠΡΟΪΟΝ. Η ΑΓΚΥΡΩΣΗ ΑΥΤΟΥ ΤΟΥ ΠΡΟΪΟΝΤΟΣ ΣΤΟ ΕΔΑΦΟΣ ΕΙΝΑΙ ΑΠΑΡΑΙΤΗΤΗ ΠΙΑ ΤΗ ΣΤΑΘΕΡΟΤΗΤΑ ΚΑΙ ΤΗΝ ΑΚΑΜΨΙΑ ΤΟΥ. ΑΠΑΙΤΕΙΤΑΙ Η ΟΛΟΚΛΗΡΩΣΗ ΑΥΤΟΥ ΤΟΥ ΣΤΑΔΙΟΥ ΠΙΑ ΝΑ ΕΙΝΑΙ ΕΓΚΥΡΗ Η ΕΓΓΥΗΣΗ ΣΑΣ.
- 4.6

EL

Palram ´n 5 vuoden rajoitetut takuuehdot

Tuotetiedot: kasvihuoneet

Palram Applications (1995) Ltd (yhtiön rek.nro 512106824) jonka päätoimipiste toimii osoitteessa Teradion Industrial Park, M.P Misgav 20174, Israel. Palram takeita, että se valmistamissa tuotteissa ei sisälly virheitä materiaali- tai valmistusvirheitä, ja seuraavan 5 vuoden aikana alkuperäisestä ostopäivästä, joita on raportoitu olosuhteissa.

1. Olosuhteet

- Tämä takuu on voimassa vain tuotteelle joka on ohjeen mukaisesti asennettu, hoidettu & ylläpidetty sekä pidetty puhtaana Palramin ohjekirjassa antamien ohjeiden mukaisesti.
- Poikkeamatta edellä mainitusta, vauriot jotka ovat syntyneet liiallisesta voiman käytöstä, vääärästä tai sopimattomasta käytöstä, huolimattomasta asennuksesta, käytöstä tai ylläpidosta, vahingoista, vieraiden esineiden kolhuista, ilkivallasta epäpuhtauksista, muutoksista, maalauksista, liitoksista, liimauksista, teippauksista, sopimattomista tiivistyksistä tai vaurioista jotka ovat syntyneet yhteensopimattomista puhdistusaineista. Pienet poikkeamat eivät kuulu tämän takuun piiriin.
- Tämä takuu ei kata luonnonilmiöitä taikka niistä syntyneitä vaurioita kuten rakeet, raskas lumi, myrsky, pyörömyrsky, hirmumyrsky, salamät, tulii taikka tulva.
- Tämä takuu on mitätön mikäli kasvihuoneen kanssa käytetään yhteensopimattomia rakennosa taikka komponentteja jotka eivät ole valmistajan (Palram) suositusten mukaisia.
- Tämä takuu on ainoastaan voimassa alkuperäiselle ostajalle / saajalle. Se ei ole jatkettavissa tai siirrettävissä toisille käyttäjille taikka seuraaville omistajille.

2. Reklamaatit ja ilmoitukset

- Kaikki takuuvaihtimukset on tehtävä kirjallisesti Palramille 30 päivän sisällä viallisen tuotteen huomaamisesta, ja mukaan on liitettävä alkuperäinen ostokuitti ja tämä takuu.
- Kantajan (reklamaation tehnyt) tulee sallia valmistajan / valmistajan edustajan tarkistaa vioitunut tuote sen alkuperäisessä Sijainnissa siinä kunnossa kuin se on vaurion sattumisen jälkeen. Tuotetta ei saa muunnella, korjata, siirtää taikka lähettää valmistajalle / edustajalle ennen siihen saatua lupaa.
- Valmistaja (Palram) varaa oikeuden saada itsenäisesti tutkia vian syy.

3. Korvaus

- Mikäli reklamaatio on takuun mukaisesti ilmoitettu ja hyväksytty Palramilta, on ostaja (kantaja) oikeutettu joko korvaaviin osiin / tuotteeseen taikka hyvitykseen joka on suhteessa vahinkoon & hankintahintaan seuraavan taulukon mukaisesti:

Aikaa hankinnasta	Korvaava tuote ja / tai osa	Korvaus
1 vuosi hankinnasta	Veloituksetta	100%
1 => 2`teen vuoteen hankinnasta	Ostavastuu 20 %	80 %
2 => 3`teen vuoteen hankinnasta	Ostavastuu 40 %	60 %
3 => 4`teen vuoteen hankinnasta	Ostavastuu 60 %	40 %
4 => 5`teen vuoteen hankinnasta	Ostavastuu 80 %	20 %

- Välttyäkseen miltään epäilyiltä, laskentavirheiltä tai väärinkäsitelyiltä korvattavuuden suhteen edellä esitetyn taulukon mukainen korvaus lasketaan aina viallisen / vioituneen osan osuudesta kokonaistuotteen hankinta-arvosta. Valmistaja varaa oikeuden toimittaa korvaava tuote / tuoteosa mikäli alkuperäistä osaa ei ole enää saatavissa tai se on vanhentunut.
- Tämä takuu ei korvaa kuluja jotka ovat syntyneet asennuksesta, purkauksesta, tuotteen siirtämisestä tai korjaustyöstä eikä myöskään suorista tai epäsuorista kuluista & menetyksistä kuten veroista, muutoista, toimitus- & lähetyskuluista jotka ovat syntyneet tuotteen viallisuudesta tai vioituneisuudesta.

4. Yleiset ehdot ja rajoitukset

- MUILTA OSIN KUIN NIMENOMAIMISESTI TÄSSÄ TAKUUSSA ON ESITETTY, KAIKKIEN MUIDEN TAKUIDEN YLEISSITOUVUDET KAUPALLISESTA HYÖDYNNETTÄVYDESTÄ TAI SOPIVUUDESTA SUORAAN TAI VÄLILLISESTI OVAT POISSULJETTU SIKÄLI KUIN LAKI SALLII.
- POISLUKIEK MITÄ NÄISSÄ TAKUUEHDOISSA ON ESITETTY, VALMISTAJA EI VASTAA MISTÄÄN TAPPIOISTA TAI VAHINGOISTA MITÄ OSTAJA TAI TUOTTEEN KÄYTTÄJÄ KÄRSI SUORAAN, VÄLILLISESTI TAI SEURAUKSENA TUOTTEEN KÄYTTÄMISESTÄ TAI YHTEYDESTÄ TUOTTEESEEN.
- MIKÄLI VALMISTAJAA ON KIELLETTY EVÄTÄ PAIKALLISESTI SOVELLETTAVAN LAINSÄÄDÄNNÖN TAI KULUTTANSUOJA SUOSITUSTEN POHALTA TAKUUEHTOJEN MUKAISIA KORVAUKSIA – SOVELLETAAN YLEISESTI KAUPALLISESTI HYÖDYNNETTÄVYDESTÄ TAI SOPIVUUDESTA TIETYYN TARKOITUKSEEN NÄHDEN TUOTTEEN OLEVAN TAKUIDEN VOIMASSAOLOAIKAA PAIKALLISEN LAIN MUKAAN.
- OSTAJA ON YKSIN VASTUUSSA ASIANMUKAISESTA KÄSITTELYSTÄ, VARASTOINNISTA, KOKOONPANOISTA SEKÄ TURVALLISESTA SIAJAINNISTAETÄÄ KÄYTÖSTÄ JA SÄILYTYKSESTÄ. PALRAM EI OLE VASTUUSSA MISTÄÄN VAHINGOISTA TAI VAMMOISTA OSTAJALLE, MUULLE HENKILÖLLE TAI OSAPUOLELLE TAI HÄNEN OMAISUUDELLE MIKÄLI NE JOHTUVAT VÄÄRÄSTÄ KÄSITTELYSTÄ, VARASTOINNISTA, ASENNUKSESTA, KOKOAMISESTA TAI TUOTTEEN VÄÄRÄSTÄ KÄYTÖSTÄ TAI OHJEIDEN NOUDATTAMATTA JÄTTÄMISESTÄ.
- JOS EI MUUTEN ERIKSEEN ILMOITETA PALRAMIN TAHOLTA, TÄMÄ TUOTE ON TARKOITETTU VAIN TAVALLISEEN KOTI- JA KAUPALLISEEN KÄYTTÖÖN. PALRAM EI OLE VASTUUSSA MISTÄÄN MENETYKSESTÄ, VAHINGOSTA, KUSTANNUKSISTA TAI KULUISTA JOTKA JOHTUVAT TUOTTEEN VÄÄRÄSTÄ KÄYTÖSTÄ MIHIN TAHANSA TARKOITUKSEEN, MIKÄLI EI OLLA NOUDATETTU SUOSITELTUJA KIRJALLISIA OHJEITA TAI JOS KÄYTTÖ EI OLE SALLITTUA SOVELLETTAVAN LAINSÄÄDÄNNÖN TAI MUIDEN ASETUSTEN MUKAAN PAIKASSA JOSSA OSTAJA KÄYTTÄÄ TUOTETTA.
- TUOTTEEN ANKKUROINTI MAAHAN ON VALTTAMATONTA SEN VAKAUDEN JA JAYKKYYDEN KANNALTA. SE VAADITAAN TASSA VAIHEESSA, JOTTA TAKUU OLISI VOIMASSA.

FI

PALRAM ´s 5 jaars beperkte garantie

Productgegevens: Greenhouses

Palram Applications (1995) Ltd (Bedrijfsnummer: 512106824) met maatschappelijke zetel te Teradion Industrial Park, M.P Misgav 20174, Israël ("Palram") garandeert dat het product vrij is van materiaal- en fabricagefouten voor een periode van 5 jaar vanaf de oorspronkelijke datum van aankoop door de definities en voorwaarden van deze garantie.

1. Voorwaarden

- Deze garantie is alleen geldig indien het Product is geïnstalleerd, gereinigd, gebruikt en onderhouden in overeenstemming met de geschreven aanbevelingen van Palram.
- Zonder af te wijken van het bovenstaande, zal schade veroorzaakt door gebruik van geweld, onjuist gebruik, oneigenlijk gebruik, nalatig gebruik of montage of onderhoud, ongevallen, botsing met vreemde voorwerpen, vandalisme, vervuiling, aanpassingen, schilderen, verbinden, lijmen, afdichten op een wijze die niet in overeenstemming is met de handleiding, of schade als gevolg van reiniging met incompatibele schoonmaakmiddelen en geringe afwijkingen van het Product niet vallen onder deze garantie.
- Deze garantie geldt niet voor schade als gevolg van "overmacht", inclusief maar niet beperkt tot, hagel, onweer, tornado's, orkanen, sneeuwstormen, overstromingen, gevolgen van brand.
- Deze garantie vervalt als structurele onderdelen en onderdelen die worden gebruikt niet compatibel zijn met schriftelijke aanbevelingen van Palram.
- Deze garantie geldt alleen voor de oorspronkelijke koper van het Product. Zij geldt niet voor een andere koper of gebruiker van het Product (inclusief, maar niet beperkt tot, elke persoon die het product koopt van de oorspronkelijke koper).

2. Claims en meldingen

- Elke garantieclaim dient bij Palram te worden ingediend binnen 30 dagen na de ontdekking van het defecte product, met bijvoeging van het originele koopbewijs en deze garantie.
- De eiser moet het Palram mogelijk maken het betrokken product en de constructielocatie zelf te inspecteren, met het product nog in de oorspronkelijke positie en niet verwijderd of verplaatst of op enigerlei wijze veranderd en/of het product terugzenden naar Palram om te laten testen.
- Palram behoudt zich het recht om zelfstandig de oorzaak van een probleem te onderzoeken.

3. Compensatie

- Indien een claim onder deze garantie goed is aangemeld en door Palram is goedgekeurd, mag de koper, naar Palrams keuze, ofwel (a) een vervangend product of onderde(e)/en aanschaffen, of (b) het aankoopbedrag van het oorspronkelijke product of onderde(e)/en terugkrijgen, alles in overeenstemming met het volgende schema:

Periode na aankoop	vervangende product of onderde(e)/en Teruggave	Teruggave
Vanaf de aankoopdatum tot het eind van 1e jaar	Gratis	100%
Einde van 1 ^e jaar tot einde van 2 ^e jaar	koper betaalt 20% van het oorspronkelijke aankoopbedrag	80%
Einde van 2 ^e jaar tot einde van 3 ^e jaar	koper betaalt 40% van het oorspronkelijke aankoopbedrag	60%
Einde van 3 ^e jaar tot einde van 4 ^e jaar	koper betaalt 60% van het oorspronkelijke aankoopbedrag	40%
Einde van 4 ^e jaar tot einde van 5 ^e jaar	koper betaalt 80% van het oorspronkelijke aankoopbedrag	20%

- Voor alle duidelijkheid, de berekening voor de bepaling van de compensatie onderde(e)/en, volgens het bovenstaande schema, zal worden gebaseerd op de bijdrage van het defecte onderdeel of de oorspronkelijke kosten van het product. Palram behoudt zich het recht voor vervangingen te leveren indien het product of enig deel daarvan niet beschikbaar of verouderd is.
- Deze garantie dekt geen kosten en uitgaven van de verwijdering en installatie van het Product of belastingen of verzendkosten of enige andere directe of indirecte schade(s) die kan/kunnen voortvloeien uit het defect van het product.

4. Algemene voorwaarden en beperkingen

- ANDERS DAN SPECIFIEK IN DEZE GARANTIE AANGEGEVEN, ZIJN ALLE ANDERE GARANTIES, HETZIJ EXPLICIET OF IMPLICIET, INCLUSIEF ALLE IMPLICIETE GARANTIES VAN VERKOOPBAARHEID OF GESCHIKTHEID VOOR EEN BEPAALD DOEL UITGESLOTEN VOOR ZOVER DE WET DIT TOELAAT.
- BEHALVE WAAR WE DAT SPECIFIEK HEBBEN AANGEGEVEN IN DEZE GARANTIE, ZAL PALRAM NIET VERANTWOORDELIJK VOOR VERLIES OF SCHADE DIE DE KOPER LIJDT, DIRECT OF INDIRECT, OF ALS GEVOLG VAN HET GEBRUIK, OF OP WELKE ANDERE WIJZE DAN OOK IN VERBAND MET HET PRODUCT.
- ALS HET PALRAM VERBODEN IS ONDER DE TOEPASSELIJKE WETGEVING DE GARANTIES VAN VERKOOPBAARHEID OF GESCHIKTHEID UIT TE SLUITEN VOOR EEN BEPAALD DOEL MET BETREKKING TOT HET PRODUCT, IS DE DUUR VAN ALLE DERGELIJKE IMPLICIETE GARANTIES UITDRUKKELIJK BEPERKT TOT DE DUUR VAN DEZE GARANTIE OF, INDIEN LANGER, TOT DE MAXIMALE PERIODE VEREIST IN DE TOEPASSELIJKE WETGEVING.
- DE KOPER IS ZELF GEHEEL VERANTWOORDELIJK OM TE BEPALEN OF HET HANTEREN, DE OPSLAG, MONTAGE, INSTALLATIE OF HET GEBRUIK VAN HET PRODUCT OP ELKE LOCATIE VEILIG EN PASSEND IS, GESCHIKT IS VOOR HET DOEL OF PASSEND ONDER DE GEGEVEN OMSTANDIGHEDEN IS. PALRAM IS NIET VERANTWOORDELIJK VOOR ENIGE SCHADE OF LETSEL AAN DE KOPER, EEN ANDERE PERSOON OF ENIGE ANDERE ZAKEN ALS GEVOLG VAN ONDOELMATIG GEBRUIK, OPSLAG, INSTALLATIE, MONTAGE OF HET GEBRUIK VAN HET PRODUCT OF HET NIET VOLGEN VAN DE SCHRIFTELIJKE AANWIJZINGEN BETREFFENDE HET HANTEREN, OPSLAAN, INSTALLEREN, MONTEREN EN GEBRUIK VAN HET PRODUCT.
- TENZIJ NADRUKKELIJK ANDERS AANGEGEVEN DOOR PALRAM, IS HET PRODUCT ALLEEN BEDOELD VOOR NORMAAL RESIDENTIEEL EN COMMERCIEEL GEBRUIK. PALRAM IS NIET VERANTWOORDELIJK VOOR VERLIES, SCHADE, KOSTEN OF UITGAVEN ALS GEVOLG VAN HET GEBRUIK VAN HET PRODUCT VOOR ENIGE DOEL DAT NIET IS AANBEVOLEN IN DE SCHRIFTELIJKE INSTRUCTIES OF DAT NIET IS TOEGESTAAN VANWEGE ENIGE TOEPASSELIJKE WETGEVING OF ANDERE GEBRUIKEN OF DE LOCATIE WAAR DE KOPER HET PRODUCT ZAL GEBRUIKEN.
- VERANKERING VAN DIT PRODUCT AAN DE GROND IS VAN ESSENTIEEL BELANG VOOR DE STABILITEIT EN STEVIGHEID. DEZE FASE DIEN TE WORDEN VOLTOOID, OM UW GARANTIE GELDIG TE LATEN BLIJVEN.

NL

Garantía limitada de 5 años de Palram

Angaben zum Produkt: Invernaderos

ES

Palram Applications (1995) Ltd (Número de la compañía: 512106824) cuya oficina registrada se encuentra en Teradion Industrial Park, M.P Misgav 20174, Israel ("Palram") garantiza que el Producto no tendrá defectos de material o de fabricación durante un periodo de 5 años desde la fecha de compra original sujeto a las definiciones, términos y condiciones contenidos en esta garantía.

1. Condiciones

- Esta garantía solo será válida si el Producto es instalado, limpiado, manipulado y mantenido de acuerdo a las recomendaciones por escrito de Palram.
- Sin derogar lo anterior, los daños causados por el uso de la fuerza, manipulación incorrecta, uso inapropiado, uso o montaje o mantenimiento negligentes, accidentes, impacto de objetos extraños, vandalismo, contaminantes, alteración, pintado, conexión, pegado, sellado no de acuerdo al manual del usuario, o daños resultantes de la limpieza con detergentes incompatibles y desviaciones menores del Producto no están cubiertos por esta garantía.
- Esta garantía no se aplica a daños resultantes de "fuerza mayor", que incluye entre otros, granizo, tormenta, tornado, huracán, ventisca, inundación, efectos del fuego.
- Esta garantía es nula si los componentes o piezas estructurales utilizados no son compatibles con las recomendaciones escritas de Palram.
- Esta garantía se aplica solamente al comprador normal del Producto. No se extiende a cualquier otro comprador o usuario del Producto (incluyendo, entre otros, cualquier persona que adquiera el Producto desde el comprador original).

2. Reclamaciones y notificaciones

- Toda reclamación de la garantía debe ser notificada por escrito a Palram lo antes que sea posible razonablemente después de descubrir el Producto defectuoso, adjuntando el tique de venta original y esta garantía.
- El reclamante debe permitir a Palram inspeccionar el Producto pertinente y el sitio de la instalación en sí mismo mientras el Producto está todavía en su posición original y no se ha retirado ni movido o alterado de ningún modo y/o devolver el Producto a Palram para evaluarlo.
- Palram se reserva el derecho a investigar la causa de cualquier fallo de forma independiente.

3. Compensación

- Si una reclamación bajo esta Garantía se notifica apropiadamente y es aprobada por Palram, el comprador, según considere Palram, puede o bien (a) comprar un Producto o pieza/s de recambio; o (b) recibir el reembolso del precio de compra del Producto o la pieza o piezas, todo de acuerdo al siguiente calendario:

El periodo tras la compra	Reembolso del Producto o Pieza /s	Recambio Según
Desde la fecha de compra hasta el final del primer año	Sin costes	100%
Fin del 1.er año hasta el final del 2.º año	El comprador pagará el 20 % del precio original de compra	80%
Fin del 2.º año hasta el final del 3.er año	El comprador pagará el 40 % del precio original de compra	60%
Fin del 3.er año hasta el final del 4.º año	El comprador pagará el 60 % del precio original de compra	40%
Fin del 4.º año hasta el final del 5.º año	El comprador pagará el 80 % del precio original de compra	20%

- Para evitar cualquier duda, el cálculo de la determinación de la compensación por pieza/s defectuosas, según el calendario de arriba, se basará en la contribución de la pieza defectuosa al coste original del Producto. Palram se reserva el derecho de proporcionar sustituciones si el Producto o cualquier pieza del mismo no está disponible o es obsoleto.
- Esta garantía no cubre ningún coste ni gasto de la retirada e instalación del Producto o impuestos o gastos de envío ni cualquier otra pérdida/s directa o indirecta que pueda resultar del defecto del Producto.

4. Condiciones generales y limitaciones

- APARTE DE LO QUE SE HA AFIRMADO ESPECÍFICAMENTE EN ESTA GARANTÍA, TODAS LAS DEMÁS GARANTÍAS, TANTO EXPRESAS COMO IMPLÍCITAS, INCLUYENDO TODAS LAS GARANTÍAS IMPLÍCITAS DE COMERCIABILIDAD O IDONEIDAD PARA UN PROPÓSITO EN PARTICULAR SE EXCLUYEN EN LA EXTENSIÓN EN QUE LO PERMITA LA LEY.
- EXCEPTO DONDE LO HAYAMOS DECLARADO ESPECÍFICAMENTE EN ESTA GARANTÍA, PALRAM NO SERÁ RESPONSABLE DE CUALQUIER PÉRDIDA O DAÑOS QUE SUFRA EL COMPRADOR DIRECTAMENTE, INDIRECTAMENTE O COMO CONSECUENCIA DE UTILIZAR EL PRODUCTO O EN CONEXIÓN DE CUALQUIER MODO CON EL MISMO.
- SI SE PROHIBE A PALRAM, BAJO CUALQUIER LEY APLICABLE, EXCLUIR LAS GARANTÍAS IMPLÍCITAS DE COMERCIABILIDAD O IDONEIDAD PARA UN PROPÓSITO EN PARTICULAR CON RELACIÓN AL PRODUCTO, LA DURACIÓN DE DICHAS GARANTÍAS IMPLÍCITAS SE LIMITA EXPRESAMENTE A LA DURACIÓN DE ESTA GARANTÍA, O SI ES MÁS TIEMPO, EL PERIODO MÁXIMO REQUERIDO POR LA LEY APLICABLE.
- EL COMPRADOR ES RESPONSABLE ÚNICAMENTE DE DETERMINAR SI LA MANIPULACIÓN, ALMACENAMIENTO, MONTAJE, INSTALACIÓN O USO DEL PRODUCTO ES SEGURO Y APROPIADO EN CUALQUIER UBICACIÓN, PARA CUALQUIER APLICACIÓN DADA O EN CUALQUIER CIRCUNSTANCIA DADA. PALRAM NO ES RESPONSABLE POR CUALQUIER DAÑO O LESIÓN DEL COMPRADOR, CUALQUIER OTRA PERSONA O CUALQUIER PROPIEDAD QUE RESULTE DE LA MANIPULACIÓN, ALMACENAMIENTO, INSTALACIÓN, MONTAJE O USO INADECUADOS DEL PRODUCTO O NO SEGUIR LAS INSTRUCCIONES ESCRITAS ACERCA DE LA MANIPULACIÓN, ALMACENAMIENTO, INSTALACIÓN, MONTAJE Y USO DEL PRODUCTO.
- A MENOS QUE SE INDIQUE EXPRESAMENTE LO CONTRARIO POR PALRAM, EL PRODUCTO ESTÁ PREVISTO SOLO PARA USO RESIDENCIAL Y COMERCIAL. PALRAM NO ES RESPONSABLE POR NINGUNA PÉRDIDA, DAÑO, COSTE O GASTO RESULTANTE DE CUALQUIER USO DEL PRODUCTO PARA CUALQUIER PROPÓSITO QUE NO ESTÉ RECOMENDADO POR LAS INSTRUCCIONES ESCRITAS O QUE NO ESTÉ PERMITIDO POR CUALQUIER LEGISLACIÓN APLICABLE U OTROS CÓDIGOS EN VIGOR EN LA UBICACIÓN DONDE USARÁ EL PRODUCTO EL COMPRADOR.
- ANCLAR ESTE PRODUCTO AL SUELO ES ESENCIAL PARA SU ESTABILIDAD Y RIGIDEZ. ES NECESARIO COMPLETAR ESTA FASE PARA QUE SU GARANTÍA SEA VÁLIDA.

Gwarancja Palramu ograniczona na 5 lat.

Szczegóły produktu: Szklarnie

PL

Palram Applications (1995) Ltd (Numer firmy: 512106824) której zarejestrowane biuro znajduje się w Teradion Industrial Park, M.P Misgav 20174, Izrael ("Palram") gwarantuje, że produkt pozbawiony jest wad materiałowych bądź usterek w wykonaniu na okres 5 lat liczonych od pierwotnej daty zakupu przedmiotu zgodnie z definicjami, warunkami i zastrzeżeniami zawartymi w niniejszej gwarancji.

1. Warunki

- Niniejsza gwarancja obowiązuje dany produkt wyłącznie jeśli jego montaż, czyszczenie, obsługa i konserwacja były wykonywane zgodnie z pisemnymi zaleceniami Palramu.
- Bez naruszenia powyższych warunków, szkody spowodowane użyciem siły, niepoprawną obsługą, nieodpowiednim zastosowaniem, niedbałym użyciem lub montażem, wypadkami, oddziaływaniem obcych przedmiotów, wandalizmem, zanieczyszczeniami, przeróbkami, malowaniem, łączeniem, klejeniem, uszczelnianiem niezgodnym z podręcznikiem użytkownika lub szkody wynikające z czyszczenia niezgodnymi środkami czyszczącymi oraz pomniejszenie niezgodności Produktu nie są objęte niniejszą gwarancją.
- Niniejsza gwarancja nie dotyczy szkód spowodowanych „siłami wyższymi”, wliczając w to między innymi opady gradu, burze, tornada, huragany, śnieżyce, powodzie, skutki pożaru.
- Niniejsza gwarancja jest nieważna jeśli części składowe i zastosowane elementy są niezgodne z pisemnymi zaleceniami Palramu.
- Niniejsza gwarancja dotyczy wyłącznie oryginalnego nabywcy produktu i nie obejmuje żadnego innego nabywcy bądź użytkownika produktu. (wliczając w to między innymi jakąkolwiek osobę, która nabyła produkt od pierwotnego nabywcy.)

2. Reklamacje i zgłoszenia

- Każda reklamacja musi być zgłoszona pisemnie do Palramu w ciągu 30 dni od odkrycia wadliwego produktu z załączeniem oryginalnego paragonu oraz niniejszej gwarancji.
- Wnioskodawca musi zezwolić Palramowi na dokonanie kontroli reklamowanego Produktu oraz samego miejsca montażu, w czasie gdy Produkt nadal znajduje się w swoim pierwotnym położeniu i nie został usunięty ani przeniesiony lub zmieniony w jakikolwiek sposób i/ lub zwrócić Produkt Palramowi do kontroli.

3. Odszkodowanie

- 3.1 Jeśli reklamacja zostanie poprawnie zgłoszona i zatwierdzona przez Palram, nabywca, do wyboru przez Palram, może (a) zakupić zastępczy produkt lub jego części; lub (b) otrzymać zwrot kosztów za oryginalny Produkt lub jego części, zgodnie z poniższym schematem:

Okres po zakupie	Wymiana produktu lub jego części	Refundacja
Od daty zakupu do końca 1 roku	Bezpłatnie	100%
Koniec 1 roku do końca 2 roku	purchaser will pay 20% of the original purchase price	80%
Koniec 2 roku do końca 3 roku	purchaser will pay 40% of the original purchase price	60%
Koniec 3 roku do końca 4 roku	purchaser will pay 60% of the original purchase price	40%
Koniec 4 roku do końca 5 roku	purchaser will pay 80% of the original purchase price	20%

- W celu uniknięcia jakichkolwiek wątpliwości, kalkulacja postanowienia w związku z odszkodowaniem za wadliwe części, zgodnie z powyższym schematem, będzie oparta na oryginalnym wkładzie finansowym Produktu za jego wadliwe części. Palram zastrzega sobie prawo do zapewnienia zamienników jeśli Produkt lub jakakolwiek jego część jest niedostępna lub nieaktualna.
- Niniejsza gwarancja nie pokrywa żadnych kosztów usunięcia lub montażu Produktu, podatków lub transportu, bądź jakichkolwiek innych bezpośrednich lub pośrednich strat które mogły nastąpić po awarii Produktu.

4. Warunki ogólne i ograniczenia

- INNE NIŻ KONKRETNIE OKREŚLONE W NINIEJSZEJ GWARANCJI, WSZYSTKIE INNE GWARANCJE, WYRAŻONE CZY DOROZUMIANE, WŁĄCZAJĄC W TO WSZYSTKIE DOROZUMIANE GWARANCJE PRZYDATNOŚCI HANDLOWEJ BĄDŹ STOSOWNOŚCI DO OKREŚLONEGO CELU NIE SĄ WŁĄCZONE TAK DŁUGO JAK POZWAŁA NA TO PRAWO.
- Z WYJĄTKIEM PRZYPADKÓW KONKRETNIE OKREŚLONYCH W NINIEJSZEJ GWARANCJI PALRAM NIE NIE JEST ZOBOWIĄZANY ZA JAKIEKOLWIEK STRATY LUB SZKODY, JAKICH DOZNAŁ NABYWCA W SPOSÓB BEZPOŚREDNI, POŚREDNI, LUB W WYNIKU UŻYTKU, BĄDŹ W JAKIKOLWIEK INNY SPOSÓB POWIĄZANY Z PRODUKTEM.
- JESLI PALRAM JEST ZABRONIONY PRZEZ JAKIEKOLWIEK OBOWIĄZUJĄCE PRAWO POMIĄJĄC DOROZUMIANĄ GWARANCJĘ PRZYDATNOŚCI HANDLOWEJ BĄDŹ STOSOWNOŚCI DO OKREŚLONEGO CELU ZWIĄZANEGO Z PRODUKTEM, OKRES TRWANIA TAKICH GWARANCJI JEST JEDNOZNACZNIE OGRANICZONY DO CZASU TRWANIA TEJ GWARANCJI, BĄDŹ MAKSYMALNEGO CZASU WYMAGANEGO PRZEZ PRAWO.
- NABYWCA JEST WYŁĄCZNIE ODPOWIEDZIALNY ZA DOPILNOWANIE OBSŁUGI, PRZECHOWYWANIA, MONTAŻU, INSTALACJI, ORAZ CZY UŻYTKOWANIE PRODUKTU JEST BEZPIECZNE ORAZ WŁAŚCIWE W JAKIKOLWIEK POŁOŻENIU DLA JAKIEGOKOLWIEK ZASTOSOWANIA I JAKIKOLWIEK OKOLICZNOŚCI. PALRAM NIE JEST ODPOWIEDZIALNE ZA SZKODY LUB OBRAŻENIA NABYWCY BĄDŹ JAKIEKOLWIEK INNEJ OSOBY LUB WŁASNOŚCI WYNIKAJĄCE Z Z NIEWŁAŚCIWEJ OBSŁUGI, PRZECHOWYWANIA, MONTAŻU, INSTALACJI I ZASTOSOWANIA PRODUKTU.
- O ILE FIRMA PALRAM WYRAŹNIE NIE WSKAZAŁA INACZĘJ, PRODUKT JEST PRZEZNACZONY WYŁĄCZNIE DO ZWYKŁEGO UŻYTKU DOMOWEGO I KOMERCYJNEGO. PALRAM NIE JEST ODPOWIEDZIALNY ZA JAKIEKOLWIEK STRATY LUB SZKODY, KOSZTY LUB WYDATKI WYNIKAJĄCE Z JAKIEKOLWIEK ZASTOSOWANIA PRODUKTU W JAKIKOLWIEK CELU, KTÓRY NIE JEST ZALECANY PRZEZ PISEMNĄ INSTRUKCJĘ LUB KTÓRY NIE JEST DOZWOLONY PRZEZ OBOWIĄZUJĄCE PRAWO LUB INNY KODEKS WYNIKAJĄCY Z LOKALIZACJI W KTÓREJ NABYWCA BĘDZIE STOSOWAŁ PRODUKT.
- PRZYMOCOWANIE TEJ PRODUKTU DO ZIEMI JEST KLUCZOWE DLA ZAPEWNIENIA MU STABILNOCI I SZTYWNOCI. ABY ZACHOWAĆ WAŻNOK GWARANCJI, NALEŻY ZAKORCZYĆ TEN ETAP MONTAŻU.

A Palram 5 éves korlátozott jótállása



Termék részletek: Üvegházak

A Palram Applications (1995) Ltd (cégjegyzékszám: 512106824), amelynek székhelye a Teradion Industrial Park, MP Misgav 20174, Izrael (a továbbiakban: "Palram"), garantálja, hogy a termék az eredeti vásárlási dátumtól számítva 5 évig mentes mindennemű anyag vagy a gyártási hibától, a jelen garanciában szereplő feltételek betartása mellett.

1. Feltételek

- Ez a jótállás csak akkor érvényes, ha a termék a Palram írásbeli ajánlásainak megfelelően lett telepítve, tisztítva, kezelve és karbantartva.
- A garancia nem érvényesíthető, ha: az útmutatóban leírtaktól eltérően használják, tehát ha a kár különféle erő hatására, helytelen kezeléssel, nem rendeltetésszerű használat miatt, hanyag használat végett következnek be, továbbá az összeszerelés és/vagy a karbantartás során bekövetkezett kár esetén, vagy ha a kár idegen tárgyak által, vandalizmus, szennyező anyagok végett, vagy a kézikönyvben előírtaktól eltérő változtatások, festések, más összekötés, ragasztás, nem megfelelő tömítés folytán következett be, vagy a kár a tisztítás során, nem megfelelő mosószer végett történt. A garancia vagy nem vonatkozik a gyárilag megadott minimális színbeli eltérésekre.
- Ez a garancia nem vonatkozik a "vis maior" okozta károokra, amely magában foglalja többek közt a jégesőt, vihart, tornádót, hurrikánt, hóvihart, árvizet, tüzeseteket.
- Ez a garancia érvényét veszti, ha a felhasznált szerkezeti elemek és alkatrészek nem kompatibilisek a Palram által írásos formában ajánlott alkatrészekkel.
- Ez a garancia kizárólag a termék eredeti vásárlójára vonatkozik. Nem terjed ki a termék második vásárlójára vagy más felhasználójára (beleértve, de nem kizárólagosan, arra a személyre, aki a terméket az eredeti vásárlótól szerezte meg).
- Követelések és értesítések
- Minden garanciális igényt, a termék hibájának/meghibásodásának észrevételét követő 30 napon belül, írásban kell közölni a Palram-nak, mellékelve az eredeti számlát és ezt a garanciajegyet.
- A garanciális igényt érvényesítő félnek lehetővé kell tennie a Palram számára, hogy az érintett terméket és a telepítési helyet saját maga is ellenőrizze, úgy, hogy a termék eredeti állapotban van, és semmilyen módon nem távolították el, nem helyezték át és nem végeztek módosításokat. A terméket tehát ne küldje vissza a Palram részére bevizsgálásra.
- A Palram fenntartja magának azon jogot, hogy függetlenül vizsgálja meg a hiba okait.
- Kártérítés
- Ha a garanciára vonatkozó igényéről a Palram-ot megfelelően értesíti, és az jóváhagyja azt, úgy a vevő, a Palram választása szerint (a) megvásárolhat egy csereterméket vagy cserealkatrészt; vagy (b) az eredeti termék, vagy annak részleges vételárát visszakapja, mindezt az alábbi ütemezés szerint:

Vásárlás utáni időszak	Cseretermék vagy cserealkatrész	Visszatérítés
A vásárlás dátumától számítva, az 1. év végéig	Díjmentes	100%
Az 1. év végétől a 2. év végéig	A vevő az eredeti vételár 20% -át fizeti ki	80%
A 2. év végétől a 3. év végéig	A vevő az eredeti vételár 40% -át fizeti ki	60%
A 3. év végétől a 4. év végéig	A vevő az eredeti vételár 60% -át fizeti ki	40%
A 4. év végétől a 5. év végéig	A vevő az eredeti vételár 80% -át fizeti ki	20%

- A kétségek elkerülése végett a hibás alkatrész/-ek kompenzációjára vonatkozó meghatározás, a fenti ütemezés szerint történik, melynek alapját a hibás alkatrész eredeti ára képi. A Palram fenntartja azon jogát, hogy ha a termék vagy annak bármely alkatrésze nem érhető el, vagy nem gyártják már, úgy azt más termékkel vagy alkatrészszel helyettesítse.
- A garancia nem terjed ki a termék eltávolításának és telepítésének költségeire, illetve az adóra, vagy szállítási költségekre, továbbá a termék meghibásodásából eredő bármilyen más közvetlen, vagy közvetett veszteségre.
- Általános feltételek és korlátozások
- A GARANCIAJEGYBEN NEM SZEREPLŐ, EGYÉB KÖZVETLEN VAGY HALLGATÓLAGOS JÓTÁLLÁS NINCS, IDEÉRTVE, DE NEM KIZÁRÓLAG, AZ ÉRTÉKESÍTHETŐSÉGRE VAGY EGY ADOTT CÉLRA VALÓ ALKALMASSÁGRA VONATKOZÓ SZAVATOSSÁGOT IS.
- KIVÉVE, HA EZEN GARANCIAJEGY KI NEM MONDJA, A PALRAM NEM FELELŐS ESETLEGES KÁROKÉRT VAGY VESZTESÉGEKÉRT A VEVŐVEL SZEMBEN, SEM KÖZVETLENÜL, SEM KÖZVETVE, MÉG HA AZ A HASZNÁLAT SORÁN IS KÖVETKEZIK BE, VAGY HA A KÁR BÁRMILYEN MÁS MÓDON KAPCSOLÓDIK A TERMÉKHEZ.
- HA A PALRAM-NAK BÁRMELY VONATKOZÓ TÖRVÉNY ÉRTELMEBEN TILOS A FENTI GARANCIÁT FORGALOMBA HOZNI A TERMÉK EGY ADOTT CÉLRA TÖRTÉNŐ FELHASZNÁLÁSÁVAL ÉS ALKALMASSÁGÁVAL KAPCSOLATOSAN, ÚGY A TERMÉKKEL KAPCSOLATOS, AZ ÖSSZES ILYEN GARANCIA ÉRVÉNYESSÉGE KIZÁRÓLAG AZ EMLÍTETT TÖRVÉNY GARANCIAIS IDŐTARTAMÁRA KORLÁTOZÓDIK, VAGY, HA JOGILAG ALKALMAZHATÓ, ÚGY A GARANCIA A LEGHOSSZABB IDŐSZAKRA ALKALMAZANDÓ, MELYET A JOGSZABÁLYOK ELŐÍRNAK.
- KIZÁRÓLAGOSAN, MINDIG ÉS MINDEN KÖRÜLMÉNY KÖZÖTT, A VÁSÁRLÓ FELEL A TERMÉK MEGFELELŐ FELEPÍTÉSI HELYÉNEK MEGÁLLAPÍTÁSÁÉRT, ANNAK KEZELÉSÉÉRT, TÁROLÁSÁÉRT, ÖSSZEÁLLÍTÁSÁÉRT, TOVÁBBÁ A TERMÉK BIZTONSÁGOS HASZNÁLATÉRT, MINDEN HELYSZÍNEN ÉS MINDEN ALKALMAZÁSI TERÜLETEN. A PALRAM NEM TEHETŐ FELELŐSSÉ SEMMILYEN, A VÁSÁRLÓT, VAGY MÁS SZEMÉLYEKET ÉRT VAGYONAI KÁROKÉRT, VAGY SÉRÜLÉSEKÉRT, AMELYEK A TERMÉK NEM RENDELTELTÉSSZERŰ HASZNÁLATÁBÓL, TÁROLÁSÁBÓL, TELEPÍTÉSÉBŐL, ILL. ÖSSZESZERELÉSÉBŐL ADÓDNÁK, VAGY HA FENTIEKRE VONATKOZÓAN, A TERMÉKHEZ KAPCSOLÓDÓ ÍRÁSOS ÚTUTATÓBAN LEÍRTAK NEM LETTEK BETARTVA.
- AMENNYIBEN A PALRAM MÁSHOGY NEM RENDELKEZIK, ÚGY A TERMÉK KIZÁRÓLAG RENDELTELTÉSSZERŰ OTTHONI, VAGY KERESKEDELMI FELHASZNÁLÁSRA KÉSZÜLT. A PALRAM NEM VÁLLAL SEMMILYEN FELELŐSSÉGET OLYAN VESZTESÉGEKÉRT VAGY KÁROKÉRT, MELYEK AZ OLYAN HELYTELEN, NEM RENDELTELTÉSSZERŰ HASZNÁLATBÓL EREDNEK, MELY HASZNÁLATI CÉL NINCS AZ ÚTUTATÓBAN ÍRÁSBA FOGLALVA, ILL. HA A TERMÉKET A TÖRVÉNYEK VAGY ELŐÍRÁSOK ÉRTELMEBEN TILOS HASZNÁLNI AZON A TERÜLETEN, AHOVÁ TELEPÍTETTÉK.
- A TERMÉK ROZGZITÁSA A TALAHOZ ELENEDHET EN ANNAK STABILITASAHOZ ES MEREVESEGEHEZ. EZT A JOTALLAS ERVENYESITESE ERDEKEBEN IS EL KELL VEGEZNI.

Garanzia limitata 5 anni Palram



Informazioni sul prodotto: Serre

Palram Applications (1995) Ltd (società numero: 512106824) i cui uffici registrati hanno sede a Teradion Industrial Park, M.P Misgav 20174000, Israele ("Palram") garantisce che il Prodotto sarà privo da difetti di materiale o di lavorazione in un periodo di 5 anni dalla data originale d'acquisto soggetta alle definizioni, termini e condizioni contenute in questa garanzia.

1. Condizioni

- La presente garanzia sarà valida solo se il Prodotto è installato, pulito, trattato e mantenuto secondo le raccomandazioni scritte di Palram.
- Senza deroghe a quanto descritto sopra, i danni causati da forzature, trattamento incorretto, uso inappropriato, uso disattento o assemblaggio o manutenzione, incidenti, impatto da oggetti estranei, vandalismo, inquinanti, alterazioni, pittura, connessioni, incollature, chiusura non conformi al manuale utente o danni derivanti dalla pulizia con detergenti incompatibili e variazioni minori al Prodotto non sono coperti dalla presente garanzia.
- La presente garanzia non è valida per i danni derivanti da cause di forza maggiore che includono, ma non si limitano a, grandine, tempeste, tornadi, uragani, bufere di neve, allagamenti, effetti del fuoco.
- La presente garanzia si ritiene nulla se le parti strutturali e i componenti usati non sono compatibili con le raccomandazioni scritte di Palram.
- La presente garanzia è valida solo per l'acquirente originario del Prodotto. Tale garanzia non si estende ad altri acquirenti o utenti del Prodotto (che includono, ma non si limitano a, ogni persona che acquista il Prodotto dall'acquirente originario).

2. Richieste e notifiche

- Ogni richiesta in garanzia deve essere notificata a Palram per iscritto entro 30 giorni dalla scoperta del Prodotto difettoso, allegando la ricevuta di acquisto originale e la presente garanzia.
- Il richiedente deve consentire a Palram di ispezionare il Prodotto in questione e lo stesso sito di installazione mentre il Prodotto è ancora nella sua posizione originale e non è stato rimosso, spostato o alterato in alcun modo e/o restituire il Prodotto a Palram per effettuare una prova.
- Palram si riserva il diritto di indagare in modo indipendente la causa di qualsiasi avaria.

3. Risarcimento

- Se la richiesta sotto garanzia viene notificata in modo appropriato e approvata da Palram, l'acquirente potrà, secondo l'opzione offerta da Palram, (a) acquistare un Prodotto in sostituzione o una o più parti, oppure (b) ricevere un risarcimento del Prodotto originale o del prezzo di acquisto di una o più parti, tutte in conformità alla seguente tabella:

Periodo dopo l'acquisto	Prodotto o parte/i in sostituzione	Risarcimento
Dalla data di acquisto fino alla fine del primo anno	Gratuito	100%
Fine del primo anno fino alla fine del secondo anno	l'acquirente pagherà il 20% del prezzo originale	80%
Fine del secondo anno fino alla fine del terzo anno	l'acquirente pagherà il 40% del prezzo originale	60%
Fine del terzo anno fino alla fine del quarto anno	l'acquirente pagherà il 60% del prezzo originale	40%
Fine del quarto anno fino alla fine del quinto anno	l'acquirente pagherà il 80% del prezzo originale	20%

- Onde evitare ogni dubbio, il calcolo per determinare il risarcimento per la/le parte/i difettosi, secondo la tabella di cui sopra, verrà basato sulla contribuzione della parte difettosa sul costo originale del Prodotto. Palram si riserva il diritto di fornire sostituzioni se il Prodotto o qualsiasi parte di esso sia obsoleta o non disponibile.
- La presente garanzia non copre alcun costo o spesa relativa alla rimozione e all'installazione del Prodotto, imposte, spese di spedizione o qualsiasi altra/e perdita/e diretta/e o indiretta/e derivante/i dal Prodotto avariato.

4. Condizioni generali e limitazioni

- DIVERSAMENTE DA QUANTO È STATO SPECIFICATO NELLA PRESENTE GARANZIA, TUTTE LE ALTRE GARANZIE, ESPRESSE O IMPLICITE, COMPRESSE TUTTE LE GARANZIE IMPLICITE DI COMMERCIALITÀ O IDONEITÀ PER UNO SCOPO PARTICOLARE SONO ESCLUSE SECONDO LE LEGGI VIGENTI.
- ECCEPTE SE SPECIFICAMENTE INDICATO NELLA PRESENTE GARANZIA, PALRAM NON SARÀ RESPONSABILE DI ALCUNA PERDITA O DANNI SUBITI DALL'ACQUIRENTE, DIRETTAMENTE O INDIRECTAMENTE, COME CONSEGUENZA DELL'USO O LEGATI IN QUALSIASI ALTRO MODO AL PRODOTTO.
- SE LA LEGGE VIGENTE NON CONSENTE A PALRAM DI ESCLUDERE LE GARANZIE IMPLICITE DI COMMERCIALITÀ O IDONEITÀ PER UNO SCOPO PARTICOLARE IN RELAZIONE AL PRODOTTO, LA DURTA DI TALI GARANZIE IMPLICITE VIENE ESPRESSAMENTE LIMITATA ALLA DURATA DELLA PRESENTE GARANZIA O, SE PRESENTA DURATA MAGGIORE, AL PERIODO MASSIMO PREVISTO DALLE LEGGI VIGENTI.
- L'ACQUIRENTE È IL SOLO RESPONSABILE NEL DETERMINARE SE IL TRATTAMENTO, LA CONSERVAZIONE, L'ASSEMBLAGGIO, L'INSTALLAZIONE DEL PRODOTTO SIA SICURA E OPPORTUNA IN QUALSIASI LUOGO, PER QUALSIASI SCOPO O IN QUALSIASI CIRCOSTANZA. PALRAM NON È RESPONSABILE DI ALCUN DANNO O FERITE SUBITE DALL'ACQUIRENTE, O QUALSIASI ALTRA PERSONA O PROPRIETÀ DERIVANTI DA TRATTAMENTO, CONSERVAZIONE, INSTALLAZIONE, ASSEMBLAGGIO O USO IMPROPRIO DEL PRODOTTO O DALLA MANCATA OSSERVANZA DELLE ISTRUZIONI RELATIVE A TRATTAMENTO, CONSERVAZIONE, INSTALLAZIONE, ASSEMBLAGGIO E USO DEL PRODOTTO.
- A MENO CHE NON SIA ESPRESSAMENTE INDICATO DA PALRAM, IL PRODOTTO È INTESO SOLTANTO PER UN USO NORMALE, LOCALE E COMMERCIALE. PALRAM NON È RESPONSABILE DI ALCUNA PERDITA, DANNO, COSTO O SPESA DERIVANTI DALL'USO DEL PRODOTTO PER QUALSIASI ALTRO SCOPO NON SUGGERITO NELLE ISTRUZIONI O CHE NON VENGA PREVISTO DALLA LEGISLAZIONE VIGENTE O DA ALTRI CODICI VIGENTI NELLA LOCALITÀ DOVE L'ACQUIRENTE USERÀ IL PRODOTTO.
- IT FISSAGGIO DI QUESTO PRODOTTO A TERRA È ESSENZIALE PER OTTENERE STABILITY E RIGIDITY. AFFINCHÉ LA GARANZIA SIA VALIDA A NECESSARIO COMPLETARE QUESTO PASSAGGIO.

Palrams 5 års begrensede garanti

Produkt detaljer: Drivhus

Palram Applications (1995) Ltd (Selskapsnummer: 512106824) med hovedkontor i Teradion Industrial Park, M.P Misgav 20174, Israel ("Palram") garanterer at Produktet vil være fri for mangler i materiale eller utførelse i en periode på 10 år fra originalen Kjøpsdato underlagt definisjonene, vilkårene og betingelsene i denne garantien.

1. Betingelser

- Denne garantien gjelder kun hvis produktet er installert, rengjort, håndtert og vedlikeholdt i samsvar med Palrams skriftlige anbefalinger.
- Uten unntak fra ovenstående skal skader forårsaket av bruk av kraft, feilaktig håndtering, u hensigtsmessig bruk, forsømmelig bruk eller montering eller vedlikehold, ulykker, innvirkning fra fremmedlegemer, hærverk, forurensetning, endring, maling, tilkobling, liming, forsegling ikke i samsvar med brukermanualen, eller skade som skyldes rengjøring med inkompatible vaskemidler og mindre avvik fra produktet, er ikke dekket av denne garantien.
- Denne garantien gjelder ikke for skade som skyldes "force majeure", som inkluderer, men er ikke begrenset til, hagl, storm, tornado, orkan, snøstorm, flom, brannvirkninger.
- Denne garantien er ugyldig dersom strukturelle deler og komponenter ikke er kompatible med Palrams skriftlige anbefalinger.
- Denne garantien gjelder bare for den opprinnelige kjøperen av produktet. Det strekker seg ikke til noen annen kjøper eller bruker av produktet (inkludert, men ikke begrenset til, noen som kjøper produktet fra den opprinnelige kjøperen).

2. Krav og varsler

- Hvert garantibevis må bli meldt skriftlig til Palram innen 30 dager etter oppdagelsen av det defekte produktet, vedlagt det originale salgskvitteringen og denne garantien.
- Saksøkeren må tillate Palram å inspisere produktet og selve installasjonsstedet mens produktet fortsatt er i sin opprinnelige posisjon og ikke er fjernet eller flyttet eller endret på noen måte og / eller returnert produktet til Palram for testing.
- Palram forbeholder seg retten til å undersøke uavhengig årsaken til feil.

3. Kompensasjon

- Hvis et krav i henhold til denne garantien er korrekt anmeldt og godkjent av Palram, kan kjøperen ved Palrams valg enten (a) kjøpe et erstatningsprodukt eller deler / s; eller (b) motta tilbakebetaling av originalproduktets eller delens kjøpskurs, alt i samsvar med følgende tidsplan:

Periode etter innkjøp	Erstatningsprodukt eller del / s	Refusjon
Fra kjøpsdato fram til slutten av 1. år	Gratis	100%
Slutten av 1. år til slutten av 2. år	Kjøperen betaler 20% av den opprinnelige kjøpesummen	80%
Slutten av 2. år til slutten av 3. år	Kjøperen betaler 40% av den opprinnelige kjøpesummen	60%
Slutten av 3. år til slutten av 4. år	Kjøperen betaler 60% av den opprinnelige kjøpesummen	40%
Slutten av 4. år til slutten av 5. år	Kjøperen betaler 80% av den opprinnelige kjøpesummen	20%

- For å unngå tvil, vil beregning for bestemmelse om kompensasjon for defekte del / s, i henhold til oversikten ovenfor, være basert på den defekte delens bidrag til den opprinnelige prisen på produktet. Palram forbeholder seg retten til å yte erstatning dersom produktet eller deler av det er utilgjengelig eller utelatt.
- Denne garantien dekker ikke eventuelle kostnader og kostnader ved fjerning og installasjon av produktet eller skatter eller fraktkostnader eller andre direkte eller indirekte tap som kan skyldes produktsvikt.

4. Generelle vilkår og begrensninger

- ANDRE, DER ER SPECIELLT STILT I DENNE GARANTIEN, ER ALLE ANDRE GARANTIER, UTTRYKkelig ELLER UNDERFORSTÅTET, INKLUDERT ALLE UNDERFORSTÅTE GARANTIER OM SALGBARHET ELLER EGNETHET FOR ET PRAKTISK FORMÅL, UTTRYKKET SOM LOVGIVNINGEN GJELDER.
- BORTSETT FRA HVOR VI SPESIFIKT HAR ANGITT DENNE GARANTIEN, ER PALRAM IKKE ANSVARLIG FOR NOEN TAP, ELLER SKADER SOM KJØPER SIKKER DIREKTE, INDIREKTE ELLER SOM FØLGENDE ANVENDELSE ELLER PÅ EN ANNEN MÅDE SOM ER TILKNYTTET TIL PRODUKTET.
- HVIS PALRAM ER FORBUDDT I HENHOLD TIL EN GJELDENE LOV UTTRYKkelig DE UNDERFORSTÅTE GARANTIER OM SALGBARHET ELLER EGNETHET FOR ET BESTEMT FORMÅL I FORBINDELSE MED PRODUKTET, ER VARIGHETEN FOR ALLE DENNE UNDERFORSTÅTE GARANTIER UTTRYKkelig BEGRENSET TIL VARIGHETEN AV DENNE GARANTIEN ELLER LANGERE MAXIMUM PERIOD KRAVET AV GJELDENE LOVGIVNING.
- KJØPEREN ER LIKT ANSVARLIG FOR Å BESTEMME OM HÅNDTERING, OPPBEVARING, MONTERING, INSTALLASJON ELLER BRUK AV PRODUKTET ER SIKKER OG TILGJENGELIG PÅ NOEN PLASSERING, FOR ANSVARLIG ANSØKNING ELLER I NOGEN OMSTENDIGHET. PALRAM ER IKKE ANSVARLIG FOR NOEN SKADER ELLER SKADE TIL KJØPEREN, ANDRE PERSONER ELLER ENHETER EIENDOM SOM OPPFYLLES FRA DEN UBEGRENSEDE HÅNDTERING, OPPBEVARING, INSTALLASJON, MONTERING ELLER BRUK AV PRODUKTET ELLER MANGLINGEN TIL Å FØLGE SKRIFTLIGE INSTRUKSJONER VEDRØRENDE HÅNDTERING, OPPBEVARING, INSTALLASJON, MONTERING OG BRUK AV PRODUKTET.
- MED UNDERSØKELSE AV PALRAM, UTTRYKkelig ANVIST, PRODUKTEN ER BEGRENSET TIL KUN FOR NORMAL BEGIVELSE OG KOMMERSELL BRUK. PALRAM ER IKKE ANSVARLIG FOR NOEN TAP, SKADER, KOSTNAD ELLER UTGIFTER SOM FØLGE AV EN ANVENDELSE AV PRODUKTET FOR NOGT FORMÅL SOM IKKE ER ANBEFALT AV DE SKRIFTLIGE INSTRUKSJONENE, ELLER DET ER IKKE GJELDET VED ANSVARLIG
- VENNLIgst MERK:** FORANKRING AV DETTE PRODUKTET TIL GRUNNEN ER VIKTIG FOR STABILITET OG RIGIDITET. DET KREVES Å FULLFØRE DETTE TRINNET FOR AT DIN GARANTI SKAL VÆRE GYLDIG.



Palrami 5-aastane piiratud garantii

Toote üksikasjad: Kasvuhooned

Palram Applications (1995) Ltd (Ettevõtte number: 512106824), kelle registrijärgne asukoht on Teradion Tööstuspargis, M. Misgav 20174, Iisrael („Palram“) garanteerib, et Toode ei sisalda materjali- ega valmistamisvigu 10 aasta jooksul alates originaali ostukuupäev vastavalt käesolevas garantii sisalduvatele mõistetele, tingimustele ja tingimustele.

1. Tingimused

- Käesolev garantii kehtib ainult siis, kui toode on paigaldatud, puhastatud, käideldud ja hooldatud vastavalt Palrami kirjalikele soovitudele.
- Eespool nimetatust kõrvale kaldumata, vigastused, mis on põhjustatud jõu kasutamisest, vales käsitsemisest, sobimatust kasutamisest, hooletusest või kokkupanemisest või hooletusest, õnnetustest, võõrkehade, vandalismist, saasteainetest, muundamisest, värvimisest, ühendamisest, liimimisest, tihendamisest, mis ei ole kooskõlas Kasutusjuhendiga või selle ühildumatute pesuvahenditega puhastamise tagajärjel tekkinud kahjustustega ja toote väikeste kõrvalekalletega see garantii ei kehti.
- Käesolev garantii ei kehti vääramatut jõu tagajärjel tekkinud kahju suhtes, mis hõlmab, kuid mitte ainult, rahe, tormi, tornaado, orkaan, lumetorm, üleujutus, tulekahju.
- Garantii on tühiine, kui kasutatavad konstruktsiooniosad ja komponendid ei ole kooskõlas Palrami kirjalike soovitudega.
- Käesolev garantii kehtib ainult toote algsele ostjale. See ei laiene ühelegi teisele toote ostjale või kasutajale (sealhulgas, kuid mitte ainult, isikule, kes omandab toote algsest ostjast).

2. Nõuded ja teated

- Iga garantiinõue tuleb Palramile kirjalikult teatada 30 päeva jooksul pärast defektse toote avastamist, lisades originaalse müügikviitungi ja selle garantii.
- Taotleja peab lubama Palramil kontrollida toodet ja paigalduskohta ise, kui toode on endiselt algasendis ja seda ei ole eemaldatud või teisaldatud ega muudetud ega / või tagastatud toode Palramile testimiseks tagastatud.
- Palram jätab endale õiguse uurida sõltumatult mis tahes ebaõnnestumise põhjust.

3. Hüvitis

- Kui käesoleva garantiiga seotud nõue on nõuetekohaselt teavitatud ja Palram on selle heaks kiitnud, võib ostja Palrami valikul kas (a) osta asendustoodet või osa / osad; või (b) saada algse toote või osa / ostuhinna tagasimakseid vastavalt järgmisele ajakavale:

Period pärast ostmist	Asendustoodet või osa / osad	Tagasimakse
Alates ostukuupäevast kuni 1. aasta lõpuni	Tasuta	100%
1. aasta lõpp kuni 2. aasta lõpuni	ostja maksab 20% algsest ostuhinnast	80%
2. aasta lõpp kuni 3. aasta lõpuni	ostja maksab 40% algsest ostuhinnast	60%
3. aasta lõpp kuni 4. aasta lõpuni	ostja maksab 60% algsest ostuhinnast	40%
4. aasta lõpp kuni 5. aasta lõpuni	ostja maksab 80% algsest ostuhinnast	20%

- Kahtluse välistamiseks põhineb ülaltoodud ajakava kohaselt defektse osade / osade hüvitamise kindlaksmääramine vigase osa panusel toote esialgse maksumusega. Palram jätab endale õiguse teha asendusi, kui toode või selle osa ei ole kättesaadav või vananenud.
- Käesolev garantii ei kata toote eemaldamise ja paigaldamise kulusid ega kulusid ega makse või transpordikulusid ega muid otseseid või kaudseid kahjusid, mis võivad tekkida toote riketest.

4. Üldtingimused Ja - Piirangud

- MUUD TÄIENDATUD GARANTIIDE MÄÄRATUD TEISED GARANTIID, MILLELE ON VÄLJA ARVATUD VÕI KASUTATUD, TÄHELEPANU KÕIKI KASUTATAVATE GARANTIITEGA VÕI KASUTATAVATE TÄHTSUSTE SUHTES KOHALDATAVAD GARANTIID ON VÄLJA JÄRGI.
- VAJADUSEL, KUI ME OLEME ERILISELT SELLE GARANTIIS TUNNISTATUD, EI OLE PALRAMI VASTU VÕIMALIKE KAHJUDE VÕI KAHANDAMISE KOHTA, KES VASTUTAB OTSESE, KINDLAKSMÄÄRATUD VÕI KASUTAMISEKS VÕI MUUDE TOODETEGA SEOTUD KASUTUST.
- KUI PALRAM ON KEELATUD KOHALDATAVA ÕIGUSE JÄRGI, KUI KASUTATAKSE VÕIMALIKE KASUTATAVUSE GARANTIID VÕI TOODETE SUHTES KOHALDAMISEKS, KÕIKI NENDE KASUTATUD GARANTII KESTUS ON VÄLJA KEHTIVATUD KÄESOLEVA GARANTII VÕI KUI VAJADUSEL, KOHALDATAVA ÕIGUSEGA ESITATAV MAKSIMAALNE PERIOOD.
- OSTJA ON VASTUTAV SELLE EEST, ET MÄÄRATA KINDLAKS, KAS TOOTE KÄSITSEMINE, LADUSTAMINE, MONTAÄZ, PAIGALDAMINE VÕI KASUTAMINE ON IGAS KOHAS, MIS TAHES KASUTUSVALDKONNAS VÕI MIS TAHES KOHAS. PALRAM EI OLE VASTUTAB TOOTJA, MUUDE ISIKUTE VÕI MÜÜGIKS KASUTAMISE, SÄILITAMISE, PAIGALDAMISE, PAIGALDAMISE VÕI KASUTAMISE VÕI KASUTAMISE, HOIUSTAMISE, PAIGALDAMISE, PAIGALDAMISE, PAIGALDAMISE, PAIGALDAMISE, PAIGALDAMISE, PAIGALDAMISE, KASUTAMISE, KASUTAMISE, KASUTAMISE, KASUTAMISE KOHTA, , TOOTE KOOSTAMINE JA KASUTAMINE.
- TULEB, KUI MUUDE PALRAMI NÄIDATUD, KASUTATAKSE TOODET AINULT NORMAALSEKS JA KAUBANDUSLIKUS KASUTAMISEKS. PALRAM EI OLE VÕIMALIKE TOODE KASUTAMISEKS VÕIMALIKE KAHJUDE, KAHJUDE, KULUDE VÕI KULUDE KOHTA, MIDA KIRJALIKUD JUHENDID VÕI MITTE KOHALDATAVAD ÕIGUSAKTID VÕI MUUD KOODID, MIS TULEB SOOVITUSES OSTJA KASUTADA TOOTE.
- VÕTTA MÄRKUS:** SELLE TOOTE KINNITAMINE MAAPINNALE ON ESMATÄHTS OMA STABIILSUSE JA ELUJÕULISUSE JAOKS. SEE ON VAJALIK, ET TÄITA KÄESOLEV ETAPP, ET TAGADA OMA GARANTEERIMINE.



Palram の 5 年限定保証書



製品詳細: 温室

イスラエル、 M.P Misgav 20174、 Teradion Industrial Park に登記上の事務所を有する Palram Applications (1995) Ltd (会社番号: 512106824) (「Palram」) は、本保証書に含まれる定義、および条項を条件として、本製品に材料または製造上の欠陥がないことを最初の購入日から 5 年間保証します。

- 条件**
 - Palram の書面による推奨に従って製品を設置し、清掃し、取り扱い、保守した場合に限り、本保証は有効となります。
 - 上記条項を損なうことなく、外力の付加、不正な取り扱い、不適切な使用、不注意な使用や組み立てまたは保守、事故、異物の衝突、暴力行為、汚染物質、ユーザーマニュアルに従わない改造、塗装、接続、接着、シーリングに起因する損傷、または不適切な洗浄剤での清掃を原因とする損傷、および製品の小さな偏差は本保証の範囲外となります。
 - ひょう、嵐、竜巻、台風、暴風雪、洪水、火災の影響を含むが、それらに限定されない「不可抗力」に起因する損傷には本保証は適用されません。
 - 使用された構造部品やコンポーネントが Palram の書面による推奨に一致していない場合は、本保証は無効となります。
 - 本保証は製品の元の購入者にのみ適用されます。製品のその他の購入者やユーザー（元の購入者から製品を取得した人を含むが、それに限定されない）には拡張されません。

2. 請求および通知

- すべての保証請求は、欠陥製品の発見から 30 日以内に売上票の原本と本保証書を同封して、書面で Palram に通知しなければなりません。
- 製品がまだ最初の場所であって、撤去、移動、多少なりとも変更されていない間は、請求者は Palram が当該製品および設置場所以体を検査すること、および/または、試験のために製品を Palram に返却することを許容しなければなりません。
- Palram はいかなる不具合の原因も独自に調査する権利を留保します。

3. 補償

- 本保証に基づく請求が適切に通知され、Palram によって承認された場合、Palram の選択によって、購入者は (a) 交換の製品または部品を購入する、または (b) 元の製品または部品の購入価格の返金を受けることができます。ただし、すべて次の一覧表に従うものとします。

購入後の期間	交換製品または部品	返金
購入日から 1 年目の末まで	無料	100%
1 年目の末から 2 年目の末まで	購入者は元の購入価格の 20% を支払う	80%
2 年目の末から 3 年目の末まで	購入者は元の購入価格の 40% を支払う	60%
3 年目の末から 4 年目の末まで	購入者は元の購入価格の 60% を支払う	40%
4 年目の末から 5 年目の末まで	購入者は元の購入価格の 80% を支払う	20%

- 疑問を避けるために説明すると、欠陥部品の補償に関する決定の算定は、上記一覧表に従って、製品の元のコストに対する欠陥部品の寄与分に基づきます。当該製品またはその部品が入手不可能である場合または廃番となっている場合は、Palram は代替品を提供する権利を留保します。
- 製品の撤去および設置費用・支出、税金、輸送費用、または製品の不具合に起因するその他の直接・間接損失はこの保証の範囲外です。

4. 一般条件および限度

- 本保証書に明確に記述された以外には、明示・暗示にかかわらず、商品性または特定の目的に対する適合性のすべての暗示的保証を含むその他すべての保証は法律が許す限り除外されます。
- 本保証書に明確に記述した場合を除き、購入者が直接的または間接的に被った、または使用の結果として発生した、またはいかなる形態にせよ製品に連結する、いかなる損失または損害に対しても Palram は責任を持たないものとします。
- 製品に関連して商品性または特定の目的に対する適合性の暗示的保証を除外することに禁じられている場合、そのようなすべての暗示的保証の期間は本保証の期間に、または、長い場合は該当法律で要求される最大期間に、明確に制限されます。
- 購入者は製品の取り扱い、保管、組み立て、設置、または使用が、いかなる場所であれ、いかなる適用またはいかなる状況に対しても、安全でかつ適切であるかどうかを判断することに対して単独で責任を持ちます。製品の不適切な取り扱い、保管、設置、組み立て、または使用に起因する、あるいは製品の取り扱い、保管、設置、組み立て、および使用に関する書面の指示への不遵守に起因する、購入者、他の人員、または財産へのいかなる損害または負傷に対しても Palram は責任を持ちません。
- パルラム明示的に 別段の 指示を しない 限り、本製品は通常の居住用および商業用におのみ 使用されます。書面の指示によって推奨されていない目的で、または購入者が製品を使用する場所では有効な該当法令またはその他の規則で許されていない目的で、製品を使用したことに起因するいかなる損失、損害、費用または支出に対しても Palram は責任を持ちません。
- この製品を地面に固定することは、安定性と剛性にとって不可欠です。保証を有効にするには、この段階を完了する必要があります。

אחריות מוגבלת ל-5 שנים של פרלם הממונת



פרלם אפליקציות (1995) בע"מ (פ.512106824), אשר משרדיה נמצאים בפארק העישות תרדיון, ד.ג. משגב 201740, ישראל ("פרלם") מתחייבת כי ה מוצר יהיה ללא פגמים בחומרים ובטיב העבודה למשך 5 שנים מתאריך הרכישה המקורי; בכפוף להגדרות, התנאים וההתניות הכלולים בכתב אחריות זה.

- 1. הנאים**
 - 1.1 אחריות זו תהא תקפה רק אם המוצר הותקן, מנוקה, מטופל ומתוחזק בהתאם להמלצות הכתובות של פרלם.
 - 1.2 בלי לפגוע או להפחית מערך האמור לעיל, נזק אשר נגרם עקב שימוש בכוח, טיפול שגוי, שימוש שאינו הולם, שימוש, הרכבה, או תחזוקה רשלניים, תאונות, מכה מעצמים זרים, ונדללים, חומרים מזהמים, שינוי, צביעה, חיבור, הדבקה או נזק אשר נגרם עקב ניקוי באמצעות חומרי ניקוי שאינם מתאימים, וסטיות קטנות במוצר, אינם מכוסים על ידי כתב אחריות זה.
 - 1.3 אחריות זו אינה חלה על נזק שנגרם עקב כוח עליון, לרבות אך לא מוגבל לברד, סופות, טורנדו, הרויקן, סופות שלג, הצפות ושריפות.
 - 1.4 אחריות זו בטלה אם רכיבים וחלקים מבניים כלשהם שנעשה בהם שימוש אינם תואמים את ההמלצות הכתובות של פרלם.
 - 1.5 כתב אחריות זה חל רק על הקונה המקורי של המוצר. הוא אינו עובר אל קונים אם משתמשים אחרים במוצר (לרבות אך לא מוגבל לכל אדם אשר רוכש או מקבל את המוצר לרשותו מידי הקונה המקורי).
- 2. תביעות והודעות**
 - 2.1 יש להודיע בכתב על כל פנייה במסגרת כתב האחריות תוך 30 יום ממועד גילוי הפגם במוצר, בצירוף קבלת הרכישה המקורית וכתב אחריות זה.
 - 2.2 התובע חייב לאפשר לפרלם לבדוק את המוצר האמור ואת אתר ההתקנה עצמו כאשר המוצר נמצא עדיין במקומו המקורי, ולא הוסר או הודח ממקומו או שונה באופן כלשהו, ו/או להחזיר את המוצר לפרלם לצורך בדיקתו.
 - 2.3 פרלם שומרת לעצמה את הזכות לחקור באופן עצמאי את הגורם לכל כשל או תקלה.

3. השלום

- 3.1 אם תביעה במסגרת כתב אחריות זה נמסרה כהלכה לפרלם ואושרה על ידה, הקונה רשאי, לפי בחירת פרלם, (א) לרכוש מוצר חלופי או חלפים, או (ב) לקבל החזר תמורת המוצר המקורי או מחיר הקנייה של החלפים, וכל זאת בהתאם לאמור בפירוט הבא:

תקופה שלאחר הרכישה	מוצר חלופי או חלפים	החזר
מתאריך הרכישה ועד לסוף השנה הראשונה	בחנם (ללא עלות)	100%
מסוף השנה הראשונה ועד לסוף השנה השנייה	הקונה ישלם 20% ממחיר הרכישה המקורי	80%
מסוף השנה השנייה ועד לסוף השנה השלישית	הקונה ישלם 40% ממחיר הרכישה המקורי	60%
מסוף השנה השלישית ועד לסוף השנה הרביעית	הקונה ישלם 60% ממחיר הרכישה המקורי	40%
מסוף השנה הרביעית ועד לסוף השנה החמישית	הקונה ישלם 80% ממחיר הרכישה המקורי	20%

- 3.2 למען הסר ספק, החישוב לקביעת התשלום המגיע לקונה תמורת חלקים פגומים, בהתאם לפירוט שצוין לעיל, יתבסס על חלקו של החלק הפגום בעלות המקורית של המוצר. פרלם שומרת לעצמה את הזכות לספק חלפים במקרה שהמוצר או חלק כלשהו ממנו אינם מיושנים.

- 3.3 כתב אחריות זה אינו מכסה עלויות הוצאות כלשהן עקב הסרה והתקנה של המוצר, וכן מסים ועלויות משלוח או כל הפסד ישיר או עקיף אשר עשוי להיגרם עקב הכשל או התקלה במוצר.

4. תנאים כלליים והגבלות

- 4.1 פרט למה שצוין במפורש בכתב אחריות זה, כל ההתחייבויות האחרות, בין אם מפורשות ובין אם משתמעות, לרבות כל הערובות המשתמעות לסחירות או התאמה לשימוש ספציפי, אינן כוללות ככל שמתיר החוק.
- 4.2 למעט היכן שציינו זאת במפורש בכתב אחריות זה, פרלם לא תישא באחריות להפסדים או נזקים כלשהם לקונה, בין אם ישירים, בין אם עקיפים ובין אם כתוצאה מהשימוש במוצר, ובכל אופן אחר שקשור למוצר.
- 4.3 אם החוק הישים אוסר על פרלם לשלול אחריות משתמעת לסחירות או התאמה לשימוש ספציפי הנוגעות למוצר, משך האחריות המשתמעת האמורה יוגבל באופן מפורש למשך האחריות המוגדר בכתב אחריות זה, או אם הוא ארוך יותר, למשך התקופה המרבית הנדרשת על פי חוק.
- 4.4 הקונה נושא באחריות בלעדית לקביעה אם הטיפול, האחסון, ההרכבה, ההתקנה והשימוש במוצר הינם בטוחים והולמים בכל מיקום שהוא, עבור כל יישום נתון ובכל נסיבה נתונה. פרלם אינה נושאת באחריות לנזקים כלשהם או פגיעה כלשהי לקונה, לאדם אחר כלשהו ולרכוש כלשהו, אשר נגרמו עקב טיפול, אחסון, התקנה, הרכבה ושימוש שאינם הולמים, וכן מאי ביצוע ההוראות הכתובות בנוגע לטיפול, אחסון, התקנה, הרכבה ושימוש במוצר.
- 4.5 אלא אם כן צוין אחרת באופן מפורש על ידי פרלם, המוצר מיועד לשימוש ביתי ומסחרי גליל בלבד. פרלם לא תישא באחריות להפסד, נזק, עלות או הוצאה כלשהם אשר נגרמו עקב שימוש כלשהו במוצר למטרה שאינה מומלצת על ידי ההוראות הכתובות, או למטרה שאסורה על פי חוק או ספר חוקים ישים כלשהו אשר תקפים במיקום בו הקונה מתכוון להשתמש במוצר.
- 4.6 עיגון המוצר לקרקע חיוני ליציבות ועמידותו. תוקף אחריות המוצר תלוי בהשלמת העיגון לקרקע.